

251400 to 251499

Illustrated Parts List

Model Series 251400 to 251499

TYPE NUMBERS
0010 through 0072
0110 through 0226

TO FIND

THE CORRECT NUMBER OF THE PART YOU NEED:

FOLLOW THE INSTRUCTIONS BELOW

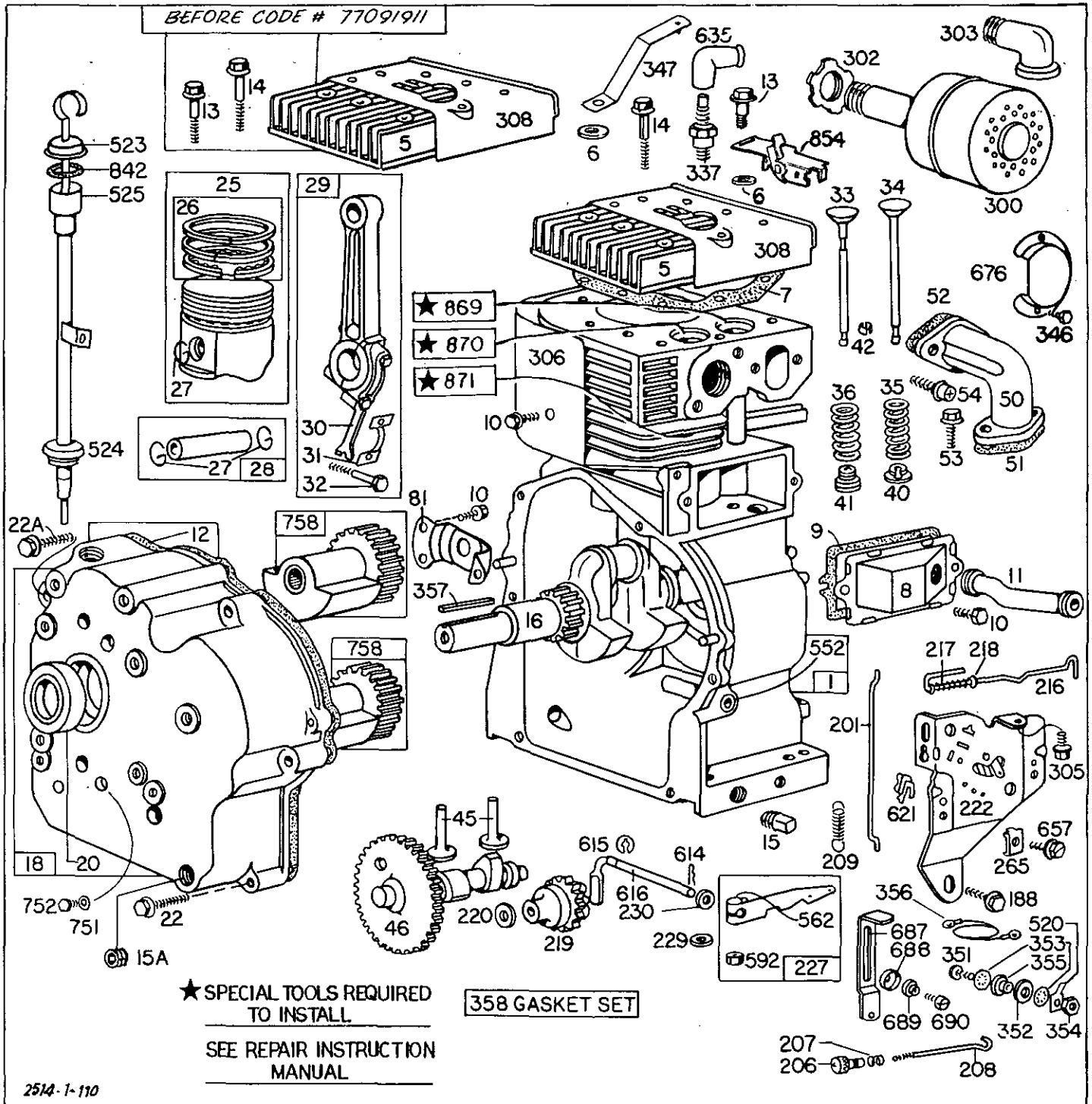
- A. Refer to Engine Model, Type and Code Number that is stamped on the blower housing of engine. Engine type numbers such as 012301 are listed herein only as 0123. The two digits (01 or 02, etc.) to the right of the space are not needed for parts identification. Then use the Illustrated Parts List covering the Model Series.
- B. Refer to Illustrated Parts section and compare the old part with illustration. The number on the illustration is the Reference Number. Assemblies include all parts shown in frames. All parts shown in assembly frames on which individual reference numbers are given can be purchased separately.
- C. After the Reference Number has been identified, refer to the Numerical Parts List, where Reference and Master Part Number are listed. **THE MASTER PART IS USED ON ALL TYPE NUMBERS EXCEPT THOSE TYPE NUMBERS UNDER "NOTE"**.
- D. If a "Note" appears below the Master Part Number, this means that this part differs from the Master Part for certain types. If the Type number is listed under "Note", order the part referred to.
- E. If the Engine Type Number does not appear after any part number listed under "Note", use the Master Part Number.
- F. For Type Numbers higher than those covered by this book, please refer to the factory if you are unable to identify the part by comparison.

PRINTED IN U.S.A.

COPYRIGHT®

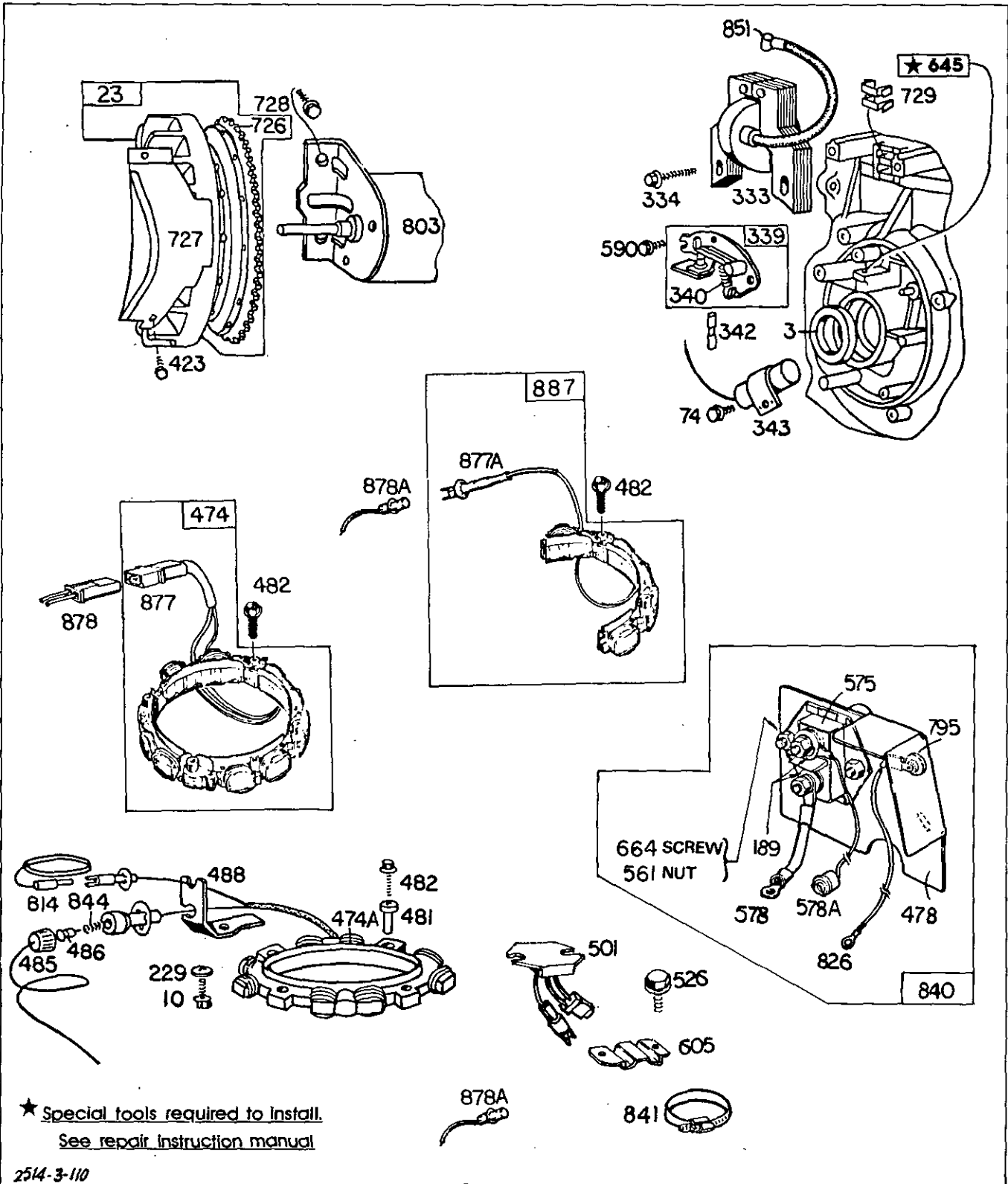


251400 to 251499

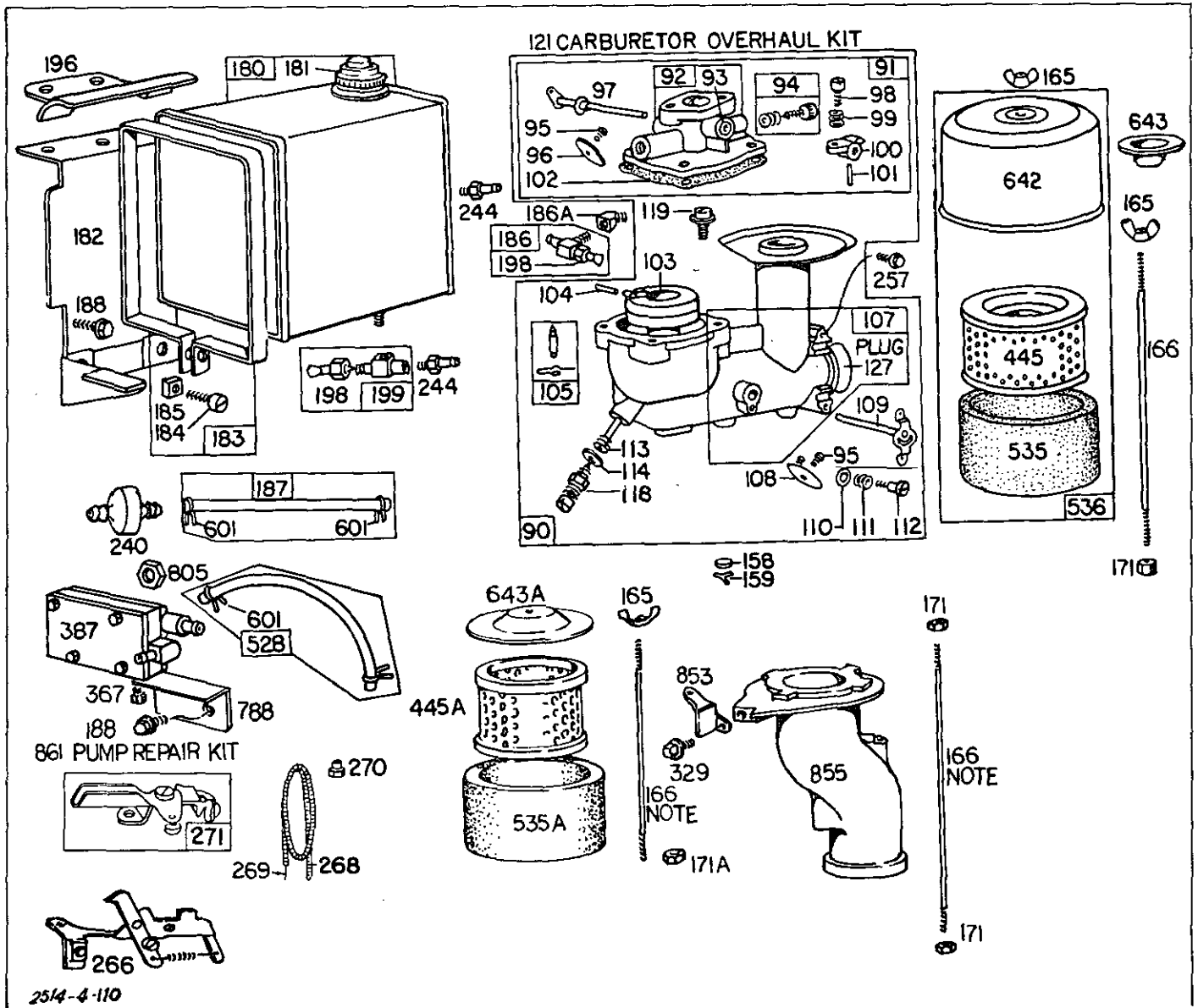


Assemblies include all parts shown in frames.

251400 to 251499

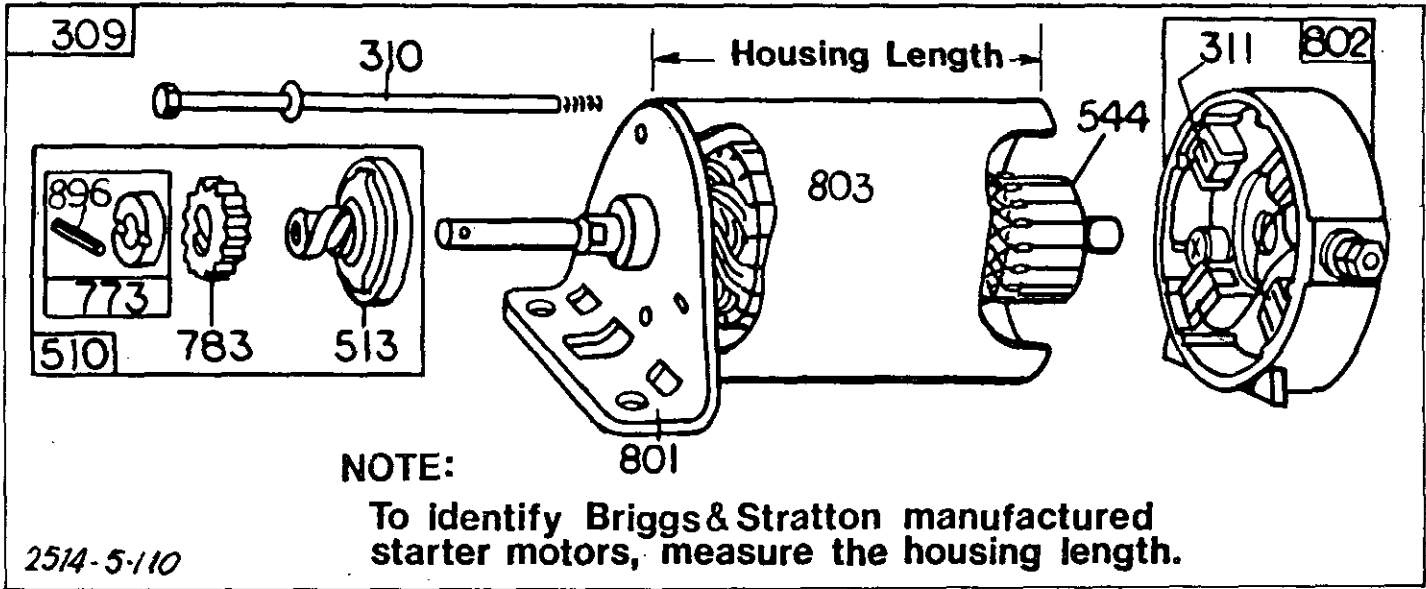


Assemblies include all parts shown in frames.



Assemblies include all parts shown in frames.

251400 to 251499



2514-5-110

Subject		Ref. No. 309	Ref. No. 510	Ref. No. 801	Ref. No. 544	Ref. No. 803	Ref. No. 802	Ref. No. 311	Ref. No. 310
Starter Motor Mfr. and Motor Model Number		Motor and Drive Assy.	Drive Assembly	End Cap Assy. Drive	Armature Assembly	Housing Assembly	End Cap Assy. Commutator*	Brush Assembly	Thru Bolt Assembly
Briggs & Stratton	Housing Length								
12V	3-3/4"	391177	391461**	392061	391160	391167	391172	391791	391790
12V	3-1/16"	392749	391461**	392061	392747	392744	390846	391705	391706

*Includes Brush Set

**Includes #391135 Clutch Assembly (Ref. No. 513)
#280104 Gear (Ref. No. 783)
#391462 Retainer and Pin (Ref. No. 773)
93754 Roll Pin (Ref. No. 896)

251400 to 251499

REF. NO.	PART NO.	DESCRIPTION	REF. NO.	PART NO.	DESCRIPTION	REF. NO.	PART NO.	DESCRIPTION	
1	391750	Cylinder Assembly	16	261336	Crankshaft	23	391988	Flywheel and Ring Gear Assy.—Magneto (Use with Plastic Motor Drive)	
3	391086	Seal—Oil		Note: 261287	Crankshaft Used on Type Nos. 0147, 0152, 0161, 0196, 0206, 0211.	23A	392157	Flywheel—Magneto (For Rope and Rewind Starter Engines)	
5	212300	Head—Cylinder		261326	Crankshaft Used on Type Nos. 0070, 0154, 0158, 0165, 0168, 0170, 0191, 0199, 0204, 0207, 0208, 0209, 0214, 0218, 0219, 0226.	24	61760	Key—Flywheel	
	Note: 212305	Head—Cylinder Used on Type Nos. 0173, 0176, 0193, 0194, 0195, 0202.		261354	Crankshaft Used on Type Nos. 0071, 0072, 0160, 0187, 0212.	25	391285	Piston Assembly—Standard	
6	22963	Washer		261375	Crankshaft Used on Type Nos. 0166, 0213.		391287	Piston Assembly—.010" O.S.	
7	*271075	Gasket—Cylinder Hd.		261376	Crankshaft Used on Type Nos. 0169, 0220.		391288	Piston Assembly—.020" O.S.	
8	391575	Breather Assembly		261461	Crankshaft Used on Type No. 0192.		391289	Piston Assembly—.030" O.S.	
9	*27803	Gasket—Valve Cover				MODEL 251410 SERIES PISTON RING SETS:			
10	93394	Screw—Sem					Note:	For Chrome Ring Set—Standard Size—Order No. 392331.	
11	280112	Tube—Breather				26	391780	Ring Set—Piston—Standard	
12	*270856	Gasket—Crankcase Cover—1/64" thick					391781	Ring Set—Piston—.010" O.S.	
	*270857	Gasket—Crankcase Cover—.005" thick	18	391747	Cover Assembly—Crankcase		391782	Ring Set—Piston—.020" O.S.	
	*270858	Gasket—Crankcase Cover—.009" thick		Note:	Before Code No. 76090112 Order No. 391579 Tube and No. 391577 Dipstick. For Impulse Pump before Code No. 76090112 Order No. 392012 Tube and No. 391577 Dipstick on Type Nos. 0142, 0143, 0145, 0151.		391783	Ring Set—Piston—.030" O.S.	
		The following Cylinder Head Screws are used before Code No. 77091911.				27	260924	Lock—Piston Pin	
13	93211	Screw—Cylinder Head (2-21/32" long) Used with 93723 Screw also on Type Nos. 0173, 0176, 0193, 0194, 0195, 0202.				28	299691	Pin Assembly—Piston—Standard	
	Note: 93776	Stud—Cylinder Head					391286	Pin Assembly—Piston—.005" O.S.	
	22963	Washer Used on Type Nos. 0147, 0152, 0154.				29	391816	Rod Assembly—Connecting	
14	93723	Screw—Cylinder Head (3" long)				30	222329	Dipper—Connecting Rod	
	Note: 93781	Stud—Cylinder Head				31	222299	Lock—Connecting Rod Screw	
	22963	Washer Used on Type Nos. 0147, 0152, 0154, 0166, 0187, 0196, 0206.					32	92909	Screw—Connecting Rod
	93776	Stud—Cylinder Head (1) Used before Code No. 77091911 on Type No. 0147.					33	261185	Valve—Exhaust
15	91084	Plug—Oil Drain					34	261184	Valve—Intake
15A	93418	Plug—Hex. Socket					35	65906	Spring—Intake Valve
							36	26828	Spring—Exhaust Valve
							40	221596	Retainer—Intake Valve
							41	292260	Rotocoil—Exhaust Valve
							42	93630	Retainer—Exhaust Valve Rotocoil (2)

*Included in Gasket Set—Part No. 391834.

251400 to 251499

REF. NO.	PART NO.	DESCRIPTION	REF. NO.	PART NO.	DESCRIPTION	REF. NO.	PART NO.	DESCRIPTION	
45	261183	Tappet—Valve	73	221796	Screen—Rotating	97	391596	Shaft and Lever—Throttle	
46	212296	Gear—Cam		Note: 222504	Screen—Rotating	98	91920	Screw—Machine, Fil. Hd.—8-32 x 5/8"	
	Note: 212039	Gear—Cam Used before Code No. 77080100.			Used on Type Nos. 0137, 0182.	99	26157	Spring—Throttle Adjustment	
50	211931	Elbow—Intake	74	93042	Screw—Sem	100	61967	Stop—Throttle	
51	†270267	Gasket—Carb. Mtg.	75	220865	Washer—Spring	101	93043	Pin—Throttle Stop	
52	†270872	Gasket—Intake Elbow Mounting	76	68238	Washer—Ratchet Sealing	102	†270268	Gasket—Carburetor Body	
53	93415	Screw—Carburetor Mounting Sem	78	93808	Screw—Sem	103	298514	Float—Carburetor	
54	93208	Screw—Intake Elbow Mounting Sem	81	222407	Retainer—Counterweight	104	†230896	Pin—Float Hinge	
55	393576	Housing—Rewind Starter	90	392587	Carburetor Assembly (Manual Choke)	105	†299096	Valve—Fuel Inlet	
56	295871	Pulley—Rewind Starter (Includes 63" Rope)		Note: 391831	Carburetor Assembly (Choke-A-Matic)	107	391829	Body Assembly—Lower Carburetor	
57	294303	Spring—Rewind Starter			Used on Type Nos. 0137, 0144, 0179, 0181, 0182, 0188, 0205, 0215.		Note: 392572	Body Assy.—Lower Carburetor Used on Type No. 0159.	
58	66884	Rope—Rewind Starter (63" long)			Used on Type Nos. 0137, 0144, 0179, 0181, 0182, 0188, 0205, 0215.	108	391836	Valve—Choke	
59	230228	Pin—Starter Grip			Used on Type Nos. 0140, 0173.	109	391583	Shaft and Lever—Choke	
60	66728	Grip—Starter Rope			Used on Type Nos. 0140, 0173.		Note: 391637	Shaft and Lever—Choke Used on Type Nos. 0137, 0144, 0179, 0181, 0182, 0188, 0205, 0215.	
63	260414	Spring—Ratchet			Used on Type Nos. 0140, 0173.			391884	Shaft and Lever—Choke Used on Type Nos. 0140, 0173, 0176, 0193, 0194, 0195, 0202.
64	230543	Adapter—Ratchet Spring			Used on Type Nos. 0140, 0173.			62899	Washer—Choke Lever
65	93067	Screw—Rewind Starter Housing Mounting			Used on Type Nos. 0142, 0143, 0145, 0151, 0183, 0220.			26155	Spring—Choke Lever
66	298798	Clutch Assy.—Rewind Starter			Used on Type Nos. 0142, 0143, 0145, 0151, 0183, 0220.			23123	Screw—Choke Lever
66A	393117	Clutch Assy.—Rewind Starter For Engines with Ring Gear on Flywheel equipped for or with Electric Motor.	91	391833	Body Assembly—Upper Carburetor			†390950	Nozzle—Carburetor
				Note: 392032	Body Assy.—Upper Carburetor			†68667	Gasket—Nozzle
67	212132	Housing—Clutch			Used on Type Nos. 0142, 0143, 0145, 0151, 0183, 0220.			†99525	Valve—Needle
67A	261453	Housing—Starter Ratchet For Engines with Ring Gear on Flywheel equipped for or with Electric Motor.	92	298759	Body—Upper Carb.			93496	Screw—Sem
				Note: 392006	Body—Upper Carburetor			391071	Carburetor Overhaul Kit
68	63770	Ball—Clutch			Used on Type Nos. 0142, 0143, 0145, 0151, 0183, 0220.			†221747	Plug—Welch
69	66718	Washer—Starter Clutch, Thrust			Used on Type Nos. 0142, 0143, 0145, 0151, 0183, 0220.			27590	Filter—Carburetor Drain
70	298799	Ratchet—Rewind Starter Clutch	93	23108	Bushing—Throttle Shaft			220521	Retainer—Carburetor Drain Filter
71	221653	Washer—Retainer	94	†292681	Valve Assembly—Carburetor Idle			93453	Nut—Wing
71A	222277	Cover—Housing	95	93499	Screw—Throttle and Choke Valve—Mounting Sem				
			96	221939	Valve—Throttle				

*Included in Gasket Set—Part No. 391834.

†Included in Carburetor Overhaul Kit—Part No. 391071.

251400 to 251499

REF. NO.	PART NO.	DESCRIPTION	REF. NO.	PART NO.	DESCRIPTION	REF. NO.	PART NO.	DESCRIPTION
166	231007	Stud—Air Cleaner Note: 93110 Screw Used to Plug Air Cleaner Stud Hole in Bottom of Carburetor.	183	291490	Strap Assembly—Fuel Tank Note: 291367 Strap Assy.—Fuel Tank Used on Type Nos. 0131, 0133, 0135, 0140, 0144, 0173, 0176, 0182, 0193, 0194, 0195, 0202.	209	260695	Spring—Governor Note: 261129 Spring—Gov. Used on Type Nos. 0148, 0149, 0190, 0216, 0217. 261306 Spring—Gov. Used on Type Nos. 0070, 0071, 0118, 0130, 0131, 0137, 0145, 0146, 0147, 0151, 0152, 0153, 0154, 0156, 0158, 0160, 0161, 0163, 0164, 0165, 0166, 0170, 0174, 0177, 0182, 0187, 0191, 0192, 0194, 0196, 0198, 0200, 0202, 0205, 0206, 0207, 0210, 0211, 0213, 0215, 0219, 0220, 0223, 0225, 0226.
		231112 Stud—Air Cleaner (6-7/8" long) 231113 Stud—Air Cleaner Adapter Used on Type No. 0159. 231124 Stud—Air Cleaner (8-5/8" long) 231144 Stud—Air Cleaner (6-5/16" long) Used on Type Nos. 0182, 0183, 0184.	184	91257	Screw—Machine, Fil. Hd.—1/4-20 x 1-1/2"	216	261289	Link—Choke
171	92129	Nut—Hex—1/4-28	185	90970	Nut—Square—1/4-20	217	261119	Spring—Choke Link
	92278	Nut—Hex.—1/4-20 (2) Used on Type No. 0159.	186	390303	Connector & Shut-Off Valve—Fuel Pipe	218	222352	Washer—Choke Link
171A	92278	Nut—Hex.—1/4-20	186A	92780	Elbow—Connector (May be purchased locally) Note: 67218 Elbow—Connector Used on Type Nos. 0155, 0159.	219	391737	Gear—Governor
180	291488	Tank Assembly—Fuel (6 Quart) Note: 290816 Tank Assy.—Fuel (4 Quart) Used on Type Nos. 0131, 0133, 0135, 0140, 0144, 0173, 0176, 0193, 0194, 0195, 0202. 299072 Tank Assy. Fuel (4 Quart) Used on Type Nos. 0130, 0137, 0182.	187	296004	Pipe—Fuel Uses: 270723 Tie Tag	220	221551	Washer—Thrust
			188	93535	Screw—Sem Note: 93623 Screw—Flywheel Guard Mtg. 90366 Washer—Lock Used on Type Nos. 0148, 0149.	222	391633	Plate—Gov. Control Note: 261137 Spring—Governor Control 222267 Anchor—Return Spring 222268 Connector—Control Wire Used on Type No. 0145.
181	392301	Cap—Fuel Tank Note: 297866 Cap—Fuel Tank Used on Type Nos. 0140, 0173, 0189, 0224.	189	90366	Washer—Lock, 5/16 x 1/8 x 1/16"	227	391732	Lever Assy.—Governor (For 1/4" dia. Crank—Used after Code No. 75061312) Note: 299165 Lever Assy.—Governor (For 3/16" dia. Crank—Used before Code No. 75061612)
182	222827	Bracket—Fuel Tank	196	222334	Support—Upper Fuel Tank	229	220680	Washer
182A	222333	Bracket—Fuel Tank Used before Code No. 77091911 also on Type Nos. 0173, 0176, 0193, 0194, 0195, 0202.	198	293934	Valve—Fuel Shut-Off	230	222450	Washer—Gov. Crank (1/4" I.D.) Note: 221559 Washer—Gov. Crank (3/16" I.D.)
			199	297563	Outlet—Fuel Tank	231	93064	Screw
			201	261236	Link—Governor Note: 260478 Spring—Gov. Link Used on Type Nos. 0070, 0071, 0072, 0150, 0152, 0154, 0160, 0165, 0166, 0170, 0171, 0187, 0192, 0196, 0199, 0204, 0209, 0211, 0212, 0213, 0214, 0220, 0226.	240	298090	Filter—Fuel
			206	230149	Nut—Governor Control Rod	244	230318	Connector—Fuel Pipe
			207	26855	Spring—Governor Control Rod			
			208	231062	Rod—Governor Control			

251400 to 251499

REF. NO.	PART NO.	DESCRIPTION	REF. NO.	PART NO.	DESCRIPTION	REF. NO.	PART NO.	DESCRIPTION
257	93543	Screw—Sem	303	91308	Elbow—Muffler—90°, Street	337	298809	Plug—Spark (1-1/2" high—37-42 M.M.)
265	221535	Clamp—Casing Note: 220680 Washer—Flat Used between Clamp and Insulator on Type Nos. 0140, 0224.			Note: Elbow used on Type No. 0152 is furnished by the equipment manufacturer.			Note: 29693 Plug—Spark (2" high—51 M.M.)
		221370 Clamp—Casing Used on Type No. 0153.	304	391502	Housing—Blower			293918 Plug—Spark (1-1/2" high—37-42 M.M.) (Resistor Type)
266	392150	Control—Throttle Uses: 261137 Spring—Return Note: 299361 Control—Throttle (Disc Type)			Note: 222302 Screen—Blower Housing Uses: 93572 Screw (8) 231020 Spacer (4) 93917 Lockwasher (4) Used on Type Nos. 0132, 0184.	339	391284	Breaker Assy.—Ignition
268	65616	Casing—Control Wire—72" long Note: If longer casing is required, specify length in inches; if shorter wire is needed, Order No. 65616 and cut to required length.			391842 Housing—Blower Used on Type Nos. 0137, 0182. 391876 Housing—Blower Used on Type Nos. 0140, 0173.	340	26018	Spring—Breaker Arm
269	26633	Wire—Control—78" long Note: If longer wire is required, specify length in inches; if shorter wire is needed, Order No. 26633 and cut to required length.	305	93158	Screw—Sem	342	65704	Plunger—Breaker Point
270	63426	Locknut—Control Wire Casing	306	222744	Shield—Cylinder	343	29861	Condenser
271	290568	Lever Assy.—Control	308	222725	Cover—Cylinder Head Note: 222306 Cover—Cyl. Head Used before Code No. 77091911 also on Type Nos. 0173, 1076, 0193, 0194, 0195, 0202.	345	222309	Cover—Breaker Point Note: 222517 Cover—Breaker Point Used on Type Nos. 0140, 0173, 0176, 0193, 0194, 0195, 0202, 0224.
300	391569	Muffler—Exhaust Note: 392101 Muffler—Exhaust Used on Type Nos. 0162, 0171, 0172, 0181, 0185, 0188, 0189, 0190, 0195, 0199, 0204, 0208, 0209, 0224.			Motor—Starting (12 Volt) See Chart on Page 6 for Replacement Parts for Starting Motors.	346	93705	Screw—Sem
		392989 Muffler—Exhaust Used on Type No. 0176.	309		Note: 222592 Dripshield—Starter Used on Type Nos. 0140, 0173, 0176, 0202.	347	393242	Switch—Stop Note: 298926 Switch—Stop Used before Code No. 77091911.
302	91310	Locknut—Muffler	321	211521	Fan	351	93735	Screw—Terminal Note: 90200 Screw—Terminal Used on Type Nos. 0140, 0148, 0149, 0158, 0173, 0176, 0179, 0181, 0189, 0193, 0195, 0224.
			329	93294	Screw—Hex. Hd. Sem	352	66068	Washer—Insulating Note: 66895 Insulator Used on Type No. 0224.
			332	92284	Nut—Hex.	353	92791	Washer—Lock—Shakeproof
			333	298968	Armature Assembly	354	90576	Nut—Hex.—8-32 (2)
			334	93381	Screw—Sem	355	66554	Collar—Insulating
						356	391602	Wire—Ground Note: 391255 Wire—Jumper Used in addition to No. 391602 Ground Wire on Type Nos. 0133, 0140, 0156, 0164, 0176, 0193, 0205, 0215, 0224.

251400 to 251499

REF. NO.	PART NO.	DESCRIPTION	REF. NO.	PART NO.	DESCRIPTION	REF. NO.	PART NO.	DESCRIPTION
		393334 Wire Used on Type No. 0217.	524	68838	Seal—Filler Tube	605	222934	Bracket—Regulator
357	91540	Key—Pulley	525	392283	Tube—Oil Filler Used after Code No. 76083012.	608	390391	Starter Assy.—Rewind
358	391834	Gasket Set		Note:	392655 Tube—Oil Fill (When used with Im- pulse Fuel Pump, use No. 270723 Tie Tag) Used after Code No. 76083012 on Type Nos. 0142, 0143, 0145, 0151, 0183, 0220.	614	93306	Cotter—Hair Pin
363	19203	Puller—Flywheel (2-13/16" bolt holes) (Optional Accessory) Note: 19165 Puller—Flywheel (2" bolt holes)			391579 Tube—Oil Fill Used before Code No. 76083112.	615	93307	Retainer—E-Ring
367	93380	Screw—Sem			392012 Tube—Oil Fill Used before Code No. 76083112 on Type Nos. 0142, 0143, 0145, 0151.	616	231057	Crank—Governor (1/4" dia.) Used after Code No. 75061312. Note: 231070 Crank—Gov. (3/16" dia.) Used before Code No. 75061612.
373	92987	Nut—Hex.				621	297472	Switch—Stop
387	390665	Pump—Impulse Note: Order No. 394462 for Pump Repair Kit 390818 Pump—Impulse Used on Type No. 0151.	526	93343	Screw—Regulator	635	66538	Elbow—Spark Plug
423	93410	Screw—Sem	528	390674	Pipe—Vent	642	222271	Cover—Air Cleaner Note: 222290 Washer—Air Cleaner Used on Type Nos. 0145, 0159.
445	390930	Cartridge—Air Cleaner Note: 392286 Cartridge— Air Cleaner Used on Type Nos. 0182, 0183, 0184.	535	270782	Element—Air Cleaner Note: 270973 Element—Air Cleaner Used on Type Nos. 0182, 0183, 0184.	643	222272	Cup—Air Cleaner
455	222561	Cup—Screen Mounting	536	391063	Cleaner Assy.—Air Note: 212181 Adapter—Air Cleaner	643A	222724	Cup—Air Cleaner
468	222562	Screen—Flush Rotating			270986 Gasket— Adapter to Carburetor Used on Type No. 0159.	645	23513	Bushing—Plunger
474	393474	Stator—Alternator Note: 393295 Stator— Alternator (10 Amp.) (Does Not Use Ref. Nos. 877 and 878)	552	231056	Bushing—Gov. Crank (1/4" I.D.) Used after Code No. 75061312. Note: 230843 Bushing—Gov. Crank (3/16" I.D.) Used before Code No. 75061612.	655	222598	Anchor—Spring
474A	393800	Stator—Alternator Note: 391595 Stator— Alternator Used on Type Nos. 0149, 0192.				657	93496	Screw—Sem Note: 220680 Washer Used between Insula- tor and Clamp on Type No. 0140.
478	222751	Panel—Instrument				664	93415	Screw—Sem 1/4-20 x 3/4" long
481	230976	Bushing—Stator (Loose)				676	222573	Deflector—Exhaust (Side Outlet) Note: For Spark Arrestor Assembly, use No. 392390 . Used on Type No. 0216.
482	93621	Screw—Sem				682	211516	Shield—Starter Clutch
485	390888	Knob Assembly—Fuse				687	298957	Slide—Friction Control
486	391507	Diode—Alternator				688	221766	Cap—Friction Spring
488	222211	Bracket—Output				689	260847	Spring—Friction
501	393374	Regulator—Alternator (10 Amp.)	561	92278	Nut—Hex. (1/4-20)	690	92484	Screw—Machine, Fil. Hd., 10-32 x 1/2"
517	295423	Pulley—Rope Starter	562	92613	Bolt—Governor Lever	726	392134	Gear—Flywheel Ring (Includes Mounting Parts) Used after Code No. 75022412. Note: 391246 Gear, Flywheel Ring (Includes Mounting Parts) Used before Code No. 75022512.
518	69932	Rope—Starter	575	299139	Switch—Starting			
520	93722	Terminal—Spade	578	392683	Wire Assembly			
523	392295	Cap and Dipstick— Oil Filler Note: 391577 Cap and Dip- stick—Oil Filler Used before Code No. 76083112.	578A	393109	Switch to Alternator— Starter			
			590	93226	Screw—Breaker Adjusting Sem			
			592	231082	Nut—Hex.—10-24			
			601	93053	Clamp—Fuel Pipe			

251400 to 251499

REF. NO.	PART NO.	DESCRIPTION	REF. NO.	PART NO.	DESCRIPTION	REF. NO.	PART NO.	DESCRIPTION
727	391629	Cover and Shield—Starter			93042 Screw (Hood to Bl. Hsg.)	841	393514	Clamp—Regulator
	Note:	221940 Guard—Ring Gear			CERTAIN APPLICATIONS ALSO USE THE FOLLOWING:	842	270933	Seal—Oil Filler Cap
	Uses:	93712 Screw (2)			93730 Stud (Strap to Crankcase Cover)	844	261269	Spring—Diode
		93713 Lockwasher (2) to mount Guard on Type Nos.			91397 Nut—Hex. (1)	851	221798	Terminal—Ignition Cable
		0015, 0070, 0071, 0111, 0147, 0148, 0149, 0154, 0157, 0158, 0160, 0162, 0164, 0170, 0171, 0175, 0178, 0179, 0180, 0181, 0187, 0191, 0192, 0193, 0194, 0195, 0197, 0199, 0204, 0205, 0208, 0212, 0214, 0217, 0218, 0220, 0223, 0226.	751	22355	Washer—Flat	853	222722	Bracket—Adapter
728	93523	Screw—Sem	752	93554	Screw—Plug	854	392884	Bracket Assembly—Stop Switch
729	221907	Clip—Wire	758	391481	Counterweight and Bearing Assembly	855	212247	Adapter—Air Cleaner (270986 Gasket used)
731	392689	Hood—Snow	788	222221	Bracket—Impulse Pump Mounting	861	394462	Repair Kit—Pump
	Uses:	222710 Strap—Support	795	392697	Switch—Ignition (Toggle)	869	211661	Seat—Intake Valve (Standard)
		93705 Screw (Hood to Strap)			Uses:	870	210940	Seat—Exhaust Valve (Standard)
					93888 Hex.—Nut	871		Guide—Exhaust Valve (Standard)
					Note: 392833 Switch—Ignition (Key)	871		231218 or 230655 See Repair Manual
			805	231001	Locknut—Impulse Pump	877	393456	Diode and Connector Assy. (Dual Circuit)
			814	390867	Wire Assembly—Alternator	877A	393814	Diode and Connector Assy. (D.C.)
			826	393110	Switch to Ground Wire Terminal	878	393362	Alternator Harness Assy. (Dual Circuit)
			840	392918	Kit—Starter Panel (Toggle)	878A	393422	Alternator Harness Assy.
					Note: 392725 Kit—Starter Panel (Key)	887	391529	Stator Assembly—Alternator (D.C.)