

251700 to 251799

Illustrated Parts List

Model Series 251700 to 251799

TYPE NUMBERS
0010 through 0025
0110 through 0199

TO FIND

THE CORRECT NUMBER OF THE PART YOU NEED:

FOLLOW THE INSTRUCTIONS BELOW

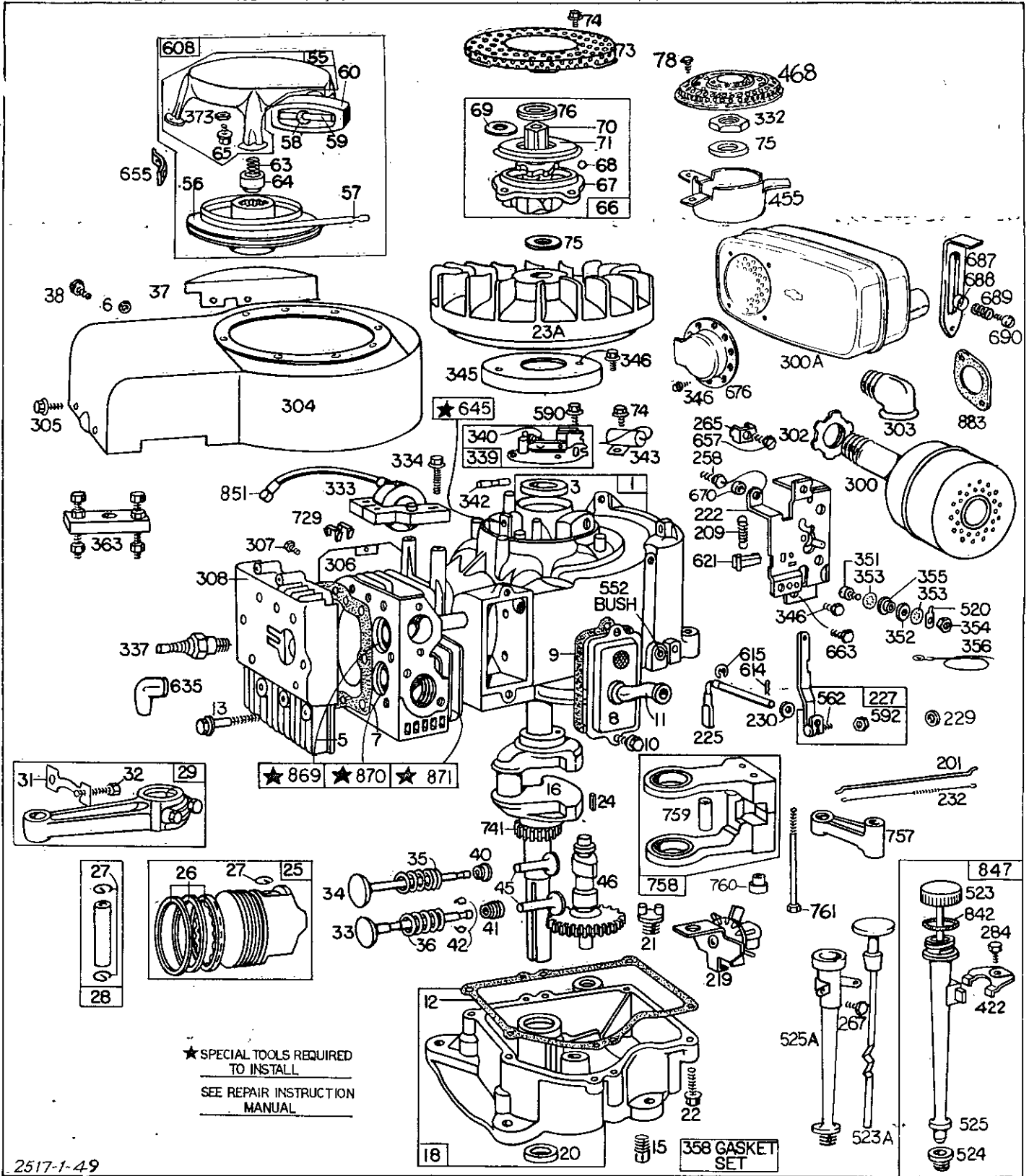
- A. Refer to Engine Model, Type and Code Number that is stamped on the blower housing of engine. Engine type numbers such as 0123 01 are listed herein only as 0123. The two digits (01 or 02, etc.) to the right of the space are not needed for parts identification. Then use the Illustrated Parts List covering these Model Series.
- B. Refer to Illustrated Parts section and compare the old part with illustration. The number on the illustration is the Reference Number. Assemblies include all parts shown in frames. All parts shown in assembly frames on which individual reference numbers are given can be purchased separately.
- C. After the Reference Number has been identified, refer to the Numerical Parts List, where Reference and Master Part Numbers are listed. **THE MASTER PART IS USED ON ALL TYPE NUMBERS EXCEPT THOSE TYPE NUMBERS UNDER "NOTE"**.
- D. If a "Note" appears below the Master Part Number, this means that this part differs from the Master Part for certain types. If the Type Number is listed under "Note", order the part referred to.
- E. If the Engine Type Number does not appear after any part number listed under "Note", use the Master Part Number.
- F. For Type Numbers higher than those covered by this book, please refer to the factory if you are unable to identify the part by comparison.

PRINTED IN U.S.A.



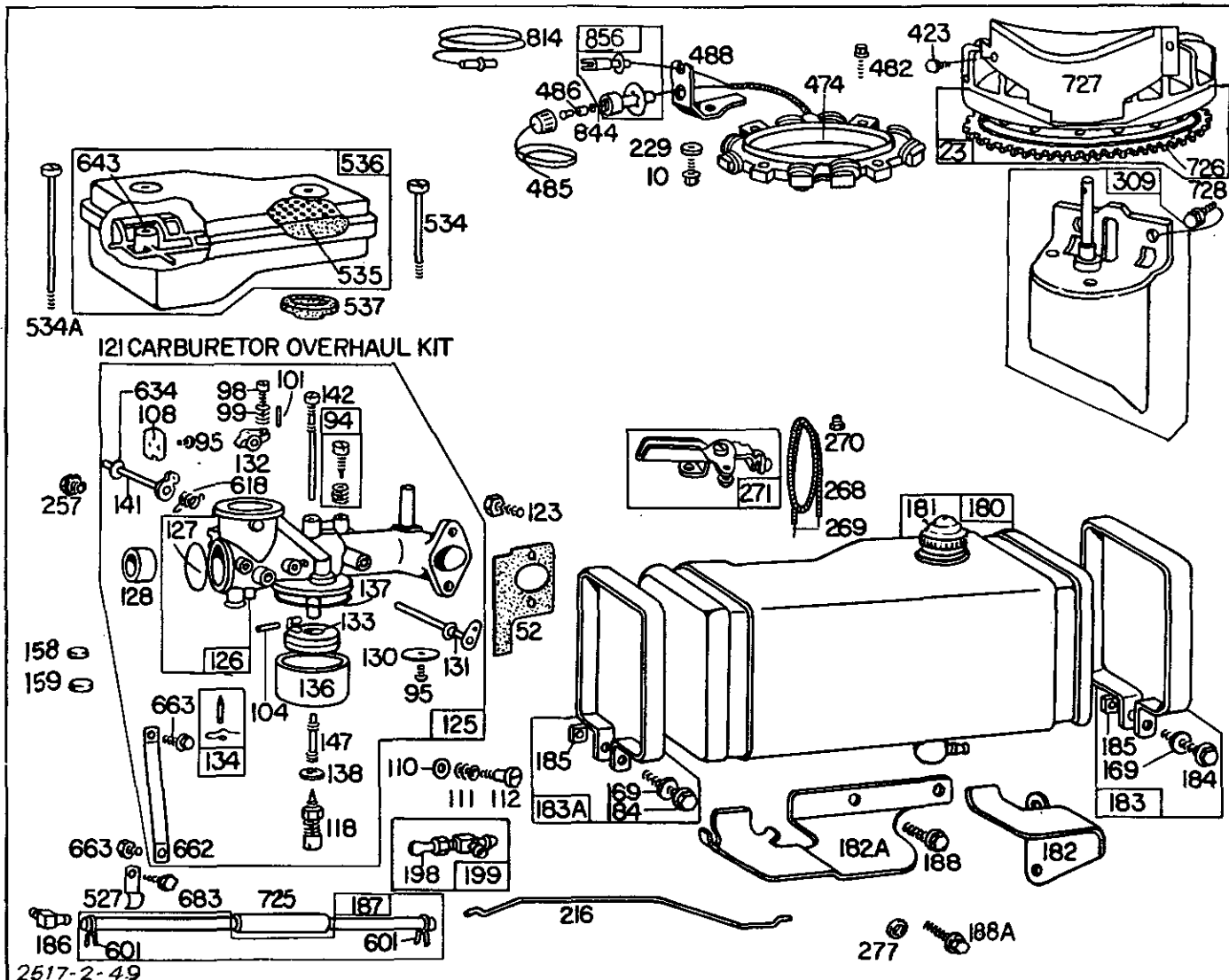
COPYRIGHT ©

251700 to 251799



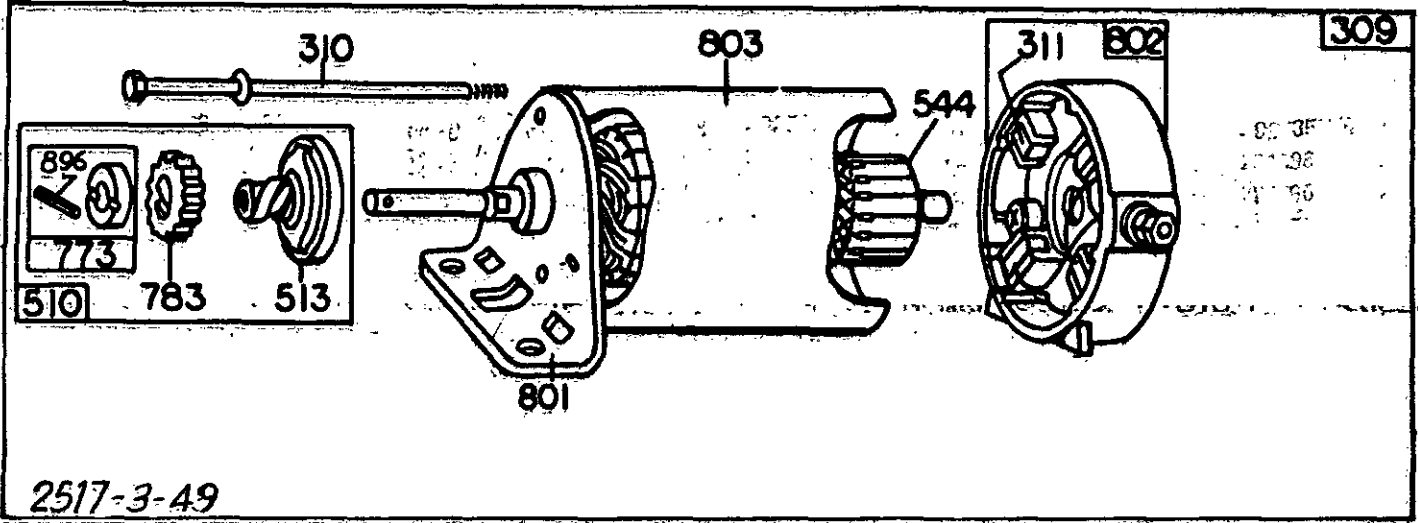
2517-1-49

Assemblies include all parts shown in frames.



Assemblies include all parts shown in frames.

251700 to 251799



Subject	Ref. No. 309	Ref. No. 510	Ref. No. 801	Ref. No. 544	Ref. No. 803	Ref. No. 802	Ref. No. 311	Ref. No. 310
Starter Motor Mfr. and Motor Model Number	Motor and Drive Assy.	Drive Assembly	End Cap Assy. Drive	Armature Assembly	Housing Assembly	End Cap Assy. Commutator*	Brush Assembly	Thru Bolt Assembly
Briggs & Stratton								
12V	391177	391461**	392061	391160	391167	391172	391791	391790
12V	392749	391461**	392061	392747	392744	390846	391705	391706

*Includes Brush Set

**Includes #391135 Clutch Assembly (Ref. No. 513)
 #280104 Gear (Ref. No. 783)
 #391462 Retainer and Pin (Ref. No. 773)
 #93754 Roll Pin (Ref. No. 896)

REF. NO.	PART NO.	DESCRIPTION	REF. NO.	PART NO.	DESCRIPTION	REF. NO.	PART NO.	DESCRIPTION	
1	391745	Cylinder Assembly Used after Code No. 75061012. 391455 Cylinder Assy. Used before Code No. 75061112.			0167, 0170, 0171, 0172, 0173, 0174, 0176, 0179, 0180, 0181, 0182, 0183, 0187, 0191, 0192, 0193, 0194, 0195, 0196, 0197, 0198, 0199.	38	93535	Screw—Sem	
3	391086	Seal—Oil				40	221596	Retainer—Intake Valve	
5	211904	Head—Cylinder Note: 212261 Head—Cyl. Used on type Nos. 0185, 0191, 0192, 0196.	18	391784	Sump—Oil	41	292260	Rotocoil—Exhaust Valve	
6	22963	Washer—Flat	20	291675	Seal—Oil	42	93630	Retainer—Exhaust Valve Rotocoil (2)	
7	*270796	Gasket—Cylinder Head	21	66768	Plug—Oil Filler	45	261183	Tappet—Valve	
8	391406	Breather Assembly	22	93585	Screw—Sump Mounting Sem	46	212039	Gear—Cam	
9	*27803	Gasket—Valve Cover	23	391988	Flywheel and Ring Gear Assy.—Magneto	52	*270872	Gasket—Carburetor Mounting	
10	93536	Screw—Sem	23A	392157	Flywheel—Magneto (For Rope and Rewind Starter Engines)	55	393576	Housing—Rewind Starter (Includes 63" Rope)	
11	280100	Tube—Breather	24	61760	Key—Flywheel	56	295871	Pulley—Rewind Starter	
12	*270808	Gasket—Crankcase Cover—1/64" thick	25	391285	Piston Assy.—Standard	57	294303	Spring—Rewind Starter	
	*270915	Gasket—Crankcase Cover—.005" thick		391287	Piston Assembly— .010" O.S.	58	66884	Rope—Rewind Starter (63" long)	
	*270916	Gasket—Crankcase Cover—.009" thick		391288	Piston Assembly— .020" O.S.	59	230228	Pin—Starter Grip	
13	93211	Screw—Cylinder Head (2-21/32" long) Note: 93776 Stud—Cylinder Head (2) 22963 Washer (2) Used on type Nos. 0133, 0134, 0149, 0162, 0169, 0170, 0171, 0175, 0190.		391289	Piston Assembly— .030" O.S.	60	66728	Grip—Starter Rope	
14	93723	Screw—Cylinder Head (3" long)	PISTON RING SETS: Note: For Chrome Ring Set— Standard Size—order No. 392331:			63	260414	Spring—Ratchet	
15	91084	Plug—Oil Drain	26	391780	Ring Set—Piston—Std.	64	230543	Adapter—Ratchet Spring	
16	391265	Crankshaft Note: 391793 Crankshaft Used on type Nos. 0134, 0144, 0184, 0185. 391794 Crankshaft Used on type Nos. 0139, 0147, 0148, 0154, 0156, 0162, 0177. 392299 Crankshaft Used on type Nos. 0016, 0111, 0159, 0163, 0164, 0165,		391781	Ring Set—Piston— .010" O.S.	65	93067	Screw—Rewind Starter Housing Mounting	
				391782	Ring Set—Piston— .020" O.S.	66	298798	Clutch Assy.—Rewind Starter	
				391783	Ring Set—Piston— .030" O.S.	66A	393117	Clutch Assy.—Rewind Starter For Engines with Re- wind Starter and Elec- tric Motor or Rewind Starter and equipped for Electric Motor.	
				27	260924	Lock—Piston Pin	67	212132	Housing—Clutch
				28	299691	Pin Assembly— Piston—Standard	67A	261453	Housing—Clutch
					391286	Pin Assembly— Piston—.005" O.S.	68	63770	Ball—Clutch
				29	391775	Rod Assy.—Connecting	69	66718	Washer—Starter Clutch, Thrust
				31	222299	Lock—Conn. Rod Screw	70	392197	Ratchet—Rewind Starter Clutch
				32	92909	Screw—Conn. Rod		Note: 298799	Ratchet— Rewind Starter Clutch Used on type Nos. 0016, 0111, 0159, 0163, 0164, 0165, 0167, 0170, 0171, 0172, 0173, 0174, 0176, 0179, 0180, 0181, 0182, 0183, 0185, 0187, 0191, 0192, 0193, 0194,
				33	261185	Valve—Exhaust			
				34	261184	Valve—Intake			
				35	65906	Spring—Intake Valve			
				36	26828	Spring—Exhaust Valve			
				37	222475	Guard—Flywheel			

* Included in Gasket Set—
Part No. 393411.

REF. NO.	PART NO.	DESCRIPTION	REF. NO.	PART NO.	DESCRIPTION	REF. NO.	PART NO.	DESCRIPTION
		0195, 0196, 0197, 0198, 0199.	134	† 299096	Valve—Fuel Inlet	209		The following Governor
71	221653	Washer—Retainer	136	221995	Bowl—Float			Springs are used after
71A	222277	Cover—Housing	137	† 270511	Gasket—Float Bowl			Code No. 75061012.
73	221796	Screen—Rotating	138	† 222014	Washer—Float Bowl	261129		Spring—Governor
74	93042	Screw—Sem	141	390684	Shaft and Lever—Choke	Note:	260871	Spring—Gov
75	220865	Washer—Spring		Note:	299647			Used on type Nos.
76	68238	Washer—Ratchet Sealing						0139, 0153, 0182, 0191, 0192, 0196.
78	93808	Screw—Sem						261306
94	† 292681	Valve Assembly— Carburetor Idle						Spring—Gov.
95	93499	Screw—Throttle and Choke Valve Mtg. Sem						Used on type Nos.
98	91920	Screw—Machine, Fill. Hd. 8-32 x 5/8"						0025, 0026, 0118, 0130, 0131, 0132, 0133, 0134, 0135, 0136, 0137, 0138, 0139, 0140, 0141, 0142, 0143, 0144, 0145, 0146, 0147, 0148, 0149, 0150, 0151, 0152, 0156, 0157, 0161, 0162, 0166, 0169, 0175, 0177, 0179, 0180, 0181, 0184, 0188, 0189, 0190, 0194, 0197, 0198.
99	26157	Spring—Throttle Adjustment	142	† 299740	Nozzle—Carburetor			The following Governor
101	93043	Pin—Throttle Stop	147	† 230932	Screw—Nozzle			Springs are used before
104	† 230896	Pin—Float Hinge	158	27590	Filter—Carburetor Drain	260931		Code No. 75061112.
108	222010	Valve Choke	159	211954	Retainer—Carburetor Drain Filter	Note:	261129	Spring—Governor
110	220899	Washer—Choke Lever	169	90832	Washer—Lock— 1/4 x 3/32 x 5/64"			Spring—Gov.
111	26229	Spring—Choke Lever	180	390225	Tank Assembly—Fuel (3 Quart)			Used on type No.
112	23270	Screw—Choke Lever	181	392300	Cap—Fuel Tank			0153.
118	† 391233	Valve—Needle	182	222315	Bracket—Fuel Tank (R. H.)	216	261274	Link—Choke
121	299852	Carburetor Overhaul Kit	182A	222112	Bracket—Fuel Tank (L. H.)	219	391764	Oil Slinger, Gov. Gear and Bracket Assembly
123	93357	Screw—Carburetor Mtg.		Note:	222194			Plate—Gov. Control
125	391788	Carburetor Assembly (Choke-A-Matic)						Plate—Gov. Control
	Note:	391789						Used on type Nos.
		Carburetor Assembly (Remote Choke)						0025, 0111, 0118, 0141, 0142, 0150, 0151, 0152, 0153, 0158, 0161, 0163, 0168, 0174, 0182, 0185, 0188, 0191, 0192, 0194, 0195, 0196, 0199.
		Used on type Nos.	183	390406	Strap Assy.—Fuel Tank (R. H.)	222	390662	Control
		0025, 0111, 0118, 0141, 0142, 0150, 0151, 0152, 0153, 0158, 0161, 0163, 0168, 0174, 0182, 0185, 0188, 0191, 0192, 0194, 0195, 0196, 0199.	183A	390405	Strap Assy.—Fuel Tank (L. H.)	Note:	390661	Plate—Gov. Control
126	391787	Body Assembly Carburetor	184	93803	Screw—Hex. Hd.			Used on type Nos.
127	† 221997	Plug—Welch	185	90970	Nut—Square, 1/4-20			0025, 0111, 0118, 0141, 0142, 0150, 0151, 0152, 0153, 0158, 0161, 0163, 0168, 0174, 0182, 0185, 0188, 0191, 0192, 0194, 0195, 0196, 0199.
128	211960	Venturi—Carburetor	186	67218	Connector—Fuel Pipe			0196, 0199.
130	222433	Valve—Throttle	187	296004	Pipe—Fuel			
131	391512	Shaft and Lever— Throttle	188	93535	Screw—Sem			
132	211712	Stop—Throttle	188A	93634	Screw—Sem (7/8" long)			
133	299707	Float—Carburetor	198	293934	Valve—Fuel Shut-Off			
			199	390303	Connector—Fuel Pipe			
			201	261198	Link—Governor	225	231058	Crank—Governor (1/4" dia.) Used after Code No. 75061012.

† Included in Carburetor Overhaul
Kit—Part No. 299852.

REF. NO.	PART NO.	DESCRIPTION	REF. NO.	PART NO.	DESCRIPTION	REF. NO.	PART NO.	DESCRIPTION
	Note:	231071 Crank—Gov. (3/16" dia.) Used before Code No. 75061112.	303	91308	Elbow—Muffler—90°, Street	352	66068	Washer—Insulating
227	391733	Lever Assy.—Governor (For 1/4" dia. Crank—Used after Code No. 75061012)		Note:	91415 Elbow—Muffler—45°	353	92791	Washer—Lock—Shakeproof
	Note:	298303 Lever Assy.—Governor (For 3/16" dia. Crank—Used before Code No. 75061112)	304	391556	Housing—Blower	354	90576	Nut—Hex.—8-32 (2)
229	220680	Washer—Flat	305	93158	Screw—Blower Housing Mounting Sem	355	66554	Collar—Insulating
230	222450	Washer—Gov. Crank (1/4" I. D.)	306	222408	Shield—Cylinder	356	391602	Wire—Ground
	Note:	221559 Washer—Gov. Crank (3/16" I. D.)	307	93163	Screw—Cylinder Shield Mtg. Sem		Note:	391255 Wire—Jumper Used in addition to No. 391602 Ground Wire on type Nos. 0134, 0137, 0148, 0150, 0153, 0154, 0158, 0160, 0163, 0164, 0165, 0167, 0170, 0171, 0172, 0173, 0174, 0175, 0176, 0181, 0182, 0183, 0184, 0185, 0187, 0189, 0191, 0192, 0193, 0194, 0196, 0197, 0198, 0199.
232	261197	Spring—Governor Link	308	222306	Cover—Cylinder Head	358	393411	Gasket Set
257	93543	Screw—Control Casing to Screw		Note:	222725 Cover—Cylinder Head Used on type Nos. 0185, 0191, 0192, 0196.	363	19203	Puller—Flywheel (Optional Accessory) (2-13/16 Bolt Spacing)
258	93686	Screw—Control Bracket Mounting	309		Motor—Starting (12 Volt) See Chart for Replacement Parts for Starting Motors on Page 4.		19165	Puller—Flywheel (2" Bolt Spacing)
265	221535	Clamp—Casing	332	92284	Nut—Hex.	373	92987	Nut—Hex.
267	93612	Screw—Clamp Mounting	333	298968	Armature Assembly	422	222502	Clamp—Oil Filler Tube
268	65616	Casing—Control Wire—72" long	334	93381	Screw—Armature Mounting Sem	423	93410	Screw—Sem
	Note:	If longer casing is required, specify length in inches; if shorter casing is needed, order No. 65616 and cut to required length.	337	298809	Plug—Spark (1-1/2" high—37-42 M. M.)	455	222561	Cup—Screen Mounting
269	26633	Wire—Control—78" long		Note:	Spark Plugs use Ignition Cable Terminal No. 221798.	468	222562	Screen—Flush Rotating
	Note:	If longer wire is required, specify length in inches; if shorter wire is needed, order No. 26633 and cut to required length.			29693 Plug—Spark (2" high—51 M. M.)	474	391520	Stator—Alternator
270	63426	Locknut—Control Wire Casing	339	391284	Breaker Assy.—Ignition		Note:	391532 Stator—Alternator Used on type Nos. 0145, 0155, 0156, 0171, 0178, 0179, 0181, 0184, 0190, 0196.
271	290568	Lever Assy.—Control	340	26018	Spring—Breaker Arm	482	93621	Screw—Sem
277	22776	Washer—Flat	342	65704	Plunger—Breaker Point	485	390888	Knob Assy.—Fuse
284	93804	Screw—Clamp Mtg.	343	391792	Condenser	486	391507	Diode—Alternator
300	391569	Muffler—Exhaust	345	222309	Cover—Breaker Point	488	222211	Bracket—Output
300A	392101	Muffler—Exhaust	346	93705	Screw—Sem	520	93722	Terminal—Spade
302	91310	Locknut—Muffler	351	93735	Screw—Terminal	523	391841	Cap and Dipstick Oil Filler
				Note:	91920 Screw—Terminal Used on type Nos. 0016, 0026, 0131, 0133, 0147, 0162, 0189.	523A	391199	Cap and Dipstick—Oil Filler
						524	68838	Seal—Filler Tube

REF. NO.	PART NO.	DESCRIPTION	REF. NO.	PART NO.	DESCRIPTION	REF. NO.	PART NO.	DESCRIPTION
525	280134	Tube—Oil Filler	643	280118	Support—Air Cleaner Element			Uses:
525A	391304	Tube—Oil Filler	645	23513	Bushing—Plunger			93623 Screw (2)
	Note:	Uses No. 93612 Screw to fasten Clamp.	655	222598	Anchor—Spring			90366 Lockwasher (2)
527	221428	Clamp (2)	657	93496	Screw—Sem			Used to mount Guard on type Nos.
534	93622	Screw—Air Cleaner	662	222311	Bracket—Carburetor			0170, 0174, 0182,
534A	93323	Screw—Air Cleaner	663	93572	Screw			0185, 0191, 0194,
535	270843	Element—Air Cleaner	670	231039	Spacer—Control Bracket Mounting	728	93523	0195.
536	391786	Cleaner Assembly—Air	676	222573	Deflector—Exhaust (Side Outlet)	729	221907	Screw—Sem
537	270853	Gasket—Air Cleaner	683	93572	Screw	729	221907	Clip—Wire
552	231055	Bushing—Gov. Crank (1/4" I. D.)	687	390690	Slide—Friction Control	741	261196	Gear—Timing
		Used after Code No. 75061012)	688	221766	Cap—Friction Spring	757	211675	Link—Counterweight
	Note:	230927 Bushing—Gov. Crank (3/16" I. D.)	689	260847	Spring—Friction	758	391373	Counterweight Assy.
		Used before Code No. 75061112.	690	92484	Screw—Machine, Fil. Hd. —10-32 x 1/2"	759	298909	Pin—Counterweight
562	92613	Bolt—Governor Lever	725	222175	Shield—Heat	760	231038	Spacer—Counterweight
590	93226	Screw—Breaker Adjusting Sem	726	392134	Gear—Ring (includes mounting parts)	761	93875	Screw—Counterweight
592	231082	Nut—Hex., 10-24			Used after Code No. 75022411.	814	390867	Wire—Assembly—7 Amp. Alternator
601	93053	Clamp—Fuel Pipe		Note:	391246 Gear—Ring (includes mounting parts)	842	270920	Seal—Oil Filler Cap
608	390391	Starter Assy.—Rewind			Used before Code No. 75022512.	844	261269	Spring—Diode
614	93306	Cotter—Hair Pin	727	390233	Cover and Shield—Starter	845	93805	Screw—Screen Mtg.
615	93307	Retainer—E-Ring		Note:	221940 Guard—Ring Gear	847	392067	Filler Group—Oil
618	261116	Spring—Choke Return				851	221798	Terminal—Ignition Cable
621	297472	Switch—Stop				856	393304	Holder Parts—Fuse
634	270382	Washer—Choke Shaft				869	211661	Seat—Intake Valve (Standard)
635	66538	Elbow—Spark Plug				870	210940	Seat—Exhaust Valve (Standard)
						871	230655	Guide—Exhaust Valve