

253700 to 253799

Illustrated Parts List

Model Series

253700 to 253799

TYPE NUMBERS
0015 through 0032,
0111 through 0231,
0246 through 0254,
0315, 0316, 0318,
0325 through 0328,
0400,
0406 through 0433,
4005.

TO FIND THE CORRECT NUMBER OF THE PART YOU NEED: FOLLOW THE INSTRUCTIONS BELOW

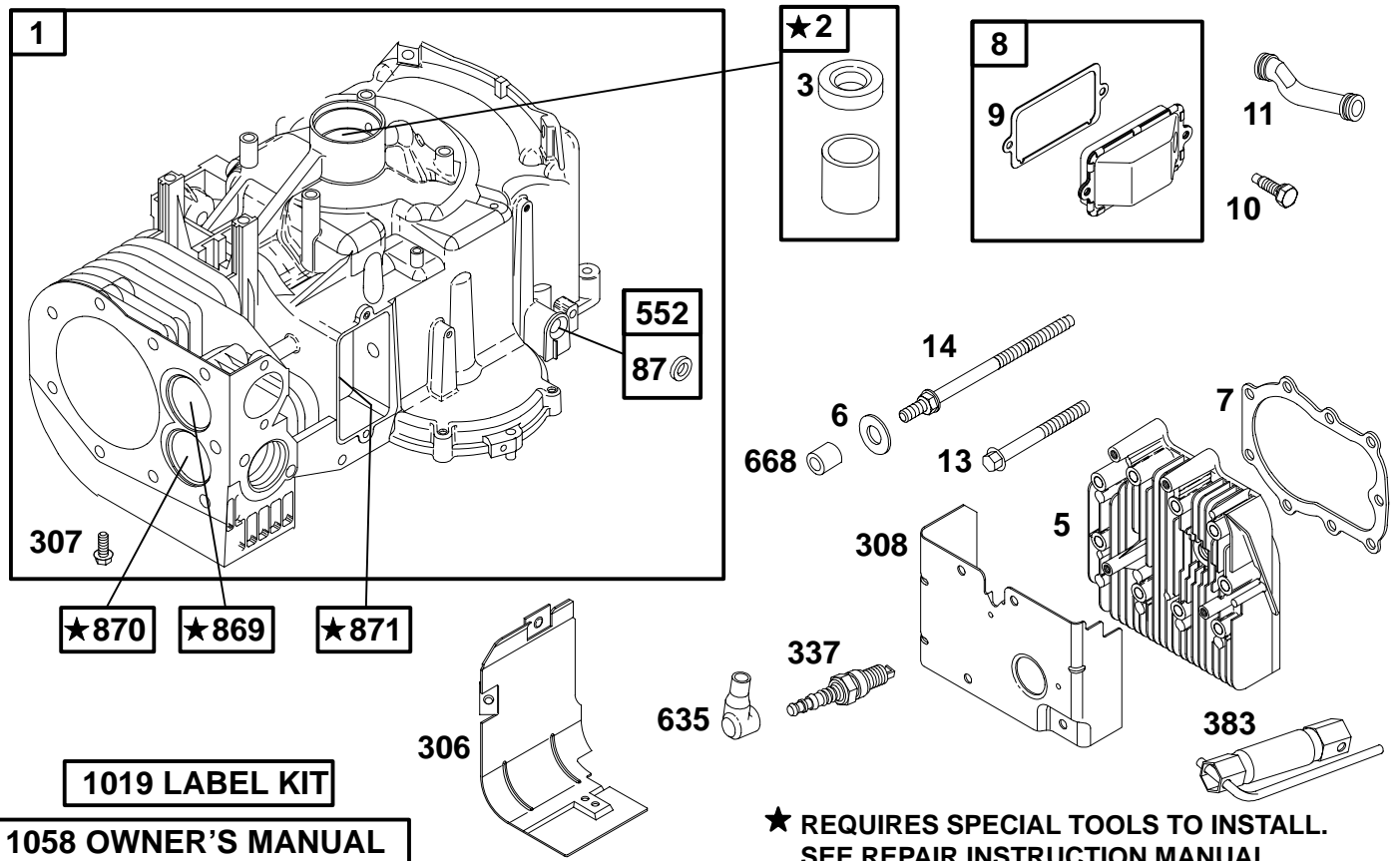
- A. Refer to Engine Model, Type and Code Number that is stamped on the blower housing of engine. Engine type numbers such as 0123 01 are listed only as 0123 in most instances. The two digits (01 or 02, etc.) to the right of the space may be required for more accurate parts identification in some instances. Select the Illustrated Parts List covering the correct Model Series and Type Number.
- B. Refer to the Illustrations and compare the original part with Illustration. The number next to the illustration is the Reference Number. Assemblies include all parts shown in frames. All parts shown in assembly frames having individual reference numbers can be purchased separately.
- C. After the Reference Number has been identified, refer to the Numerical text, where Reference and Primary Part Number are listed. **THE PRIMARY PART IS USED ON ALL TYPE NUMBERS EXCEPT THOSE TYPE NUMBERS UNDER "NOTE."**
- D. If a "Note" appears below the Primary Part Number, it means that this part differs from the Primary Part for certain types. If your Type number is listed under "Note," order the part referred to at the "Note."
- E. If your Engine Type Number does not appear after any part number listed under "Note," use the Primary Part Number.
- F. For Engine Type Numbers not covered by this book, check other Parts Lists having the same engine model or contact your source of supply.

PRINTED IN U.S.A.



COPYRIGHT by BRIGGS & STRATTON CORPORATION
All rights reserved. No part of this material may be reproduced or transmitted, in any form or by any means, electronic or mechanical, including photocopying, recording or by any information storage and retrieval system, without permission in writing from Briggs & Stratton Corporation.

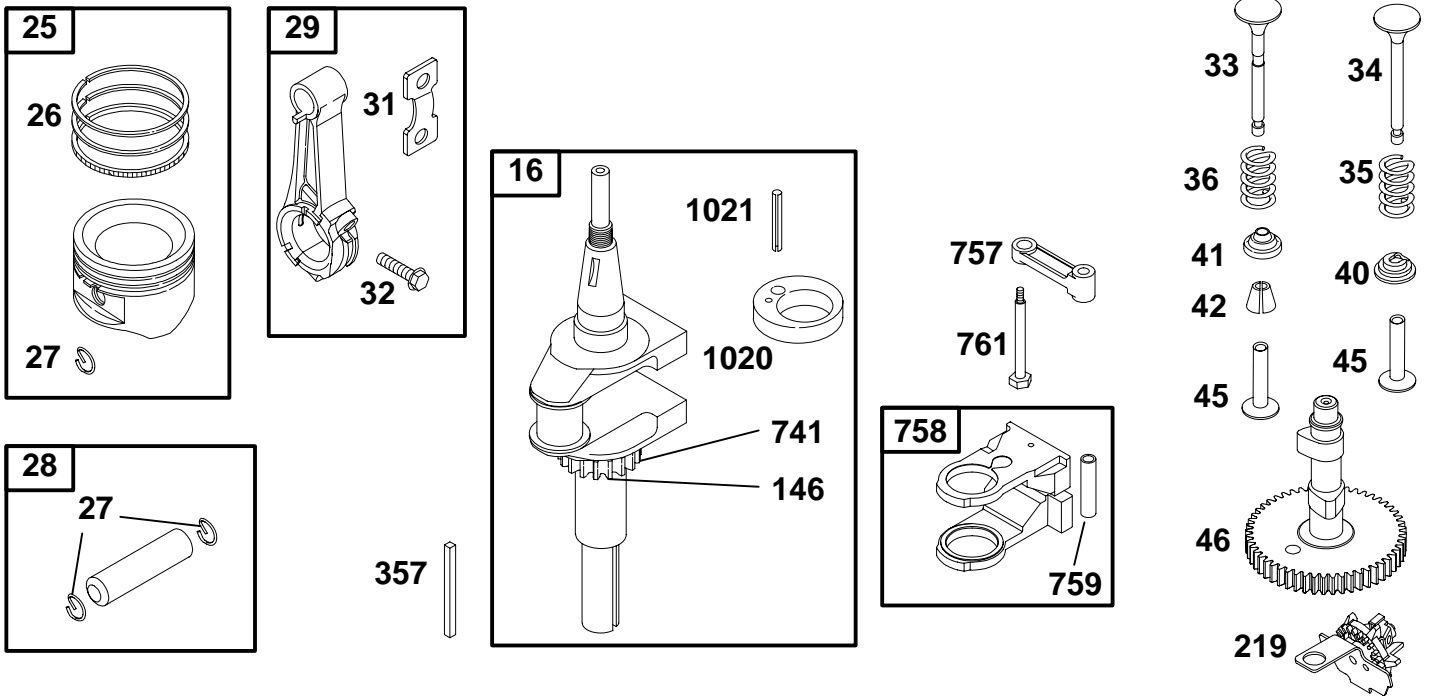
253700 to 253799



REF. NO.	PART NO.	DESCRIPTION	REF. NO.	PART NO.	DESCRIPTION	REF. NO.	PART NO.	DESCRIPTION
1	495729	Cylinder Assembly	14	94776	Stud-Hex. Drive	383	89838	Wrench-Spark Plug
2	399265	Bushing/Seal Kit	87	491323	Seal-Gov. Shaft	552	491986	Bushing-Governor Crank
3	★391086	Seal-Oil	306	224882	Shield-Cylinder	635	66538	Boot-Spark Plug
5	212914	Head-Cylinder		Note		668	231186	Spacer
6	22963	Washer-Flat		224542	Shield-Cyl. Used on Type No(s). 0105, 0116, 0123, 0125, 0133, 0135, 0138, 0419.	869	261463	Seat-Valve (Intake)
7	∅★271866	Gasket-Cylinder Head	307	94930	Screw-Hex.	870	262924	Seat-Valve (Exhaust)
8	495735	Breather Assembly	308	224897	Cover-Cylinder	871	261961	Bushing-Guide
		Note	337	298809	Plug-Spark (1 1/2" High)		Note	231218
		495734 Breather Assy. Used on Type No(s). 0144, 0155, 0171, 0172, 0189, 0190, 0246, 0250.		Note				231218
9	∅★27803	Gasket-Breather		802592	Plug-Spark (1 27/32" High, Resistor Type)	1019	491254	Bushing-Guide (Brass)
10	94621	Screw-Hex.				1058	270862	Label Kit
11	280100	Tube-Breather						Owner's Manual
13	94622	Screw-Hex.						

★ Included in Gasket Set-Part No. 393411.
 ● Included in Carburetor Kit-Part No. 394698.

∅ Included in Valve Overhaul Gasket Set-Part No. 498537.

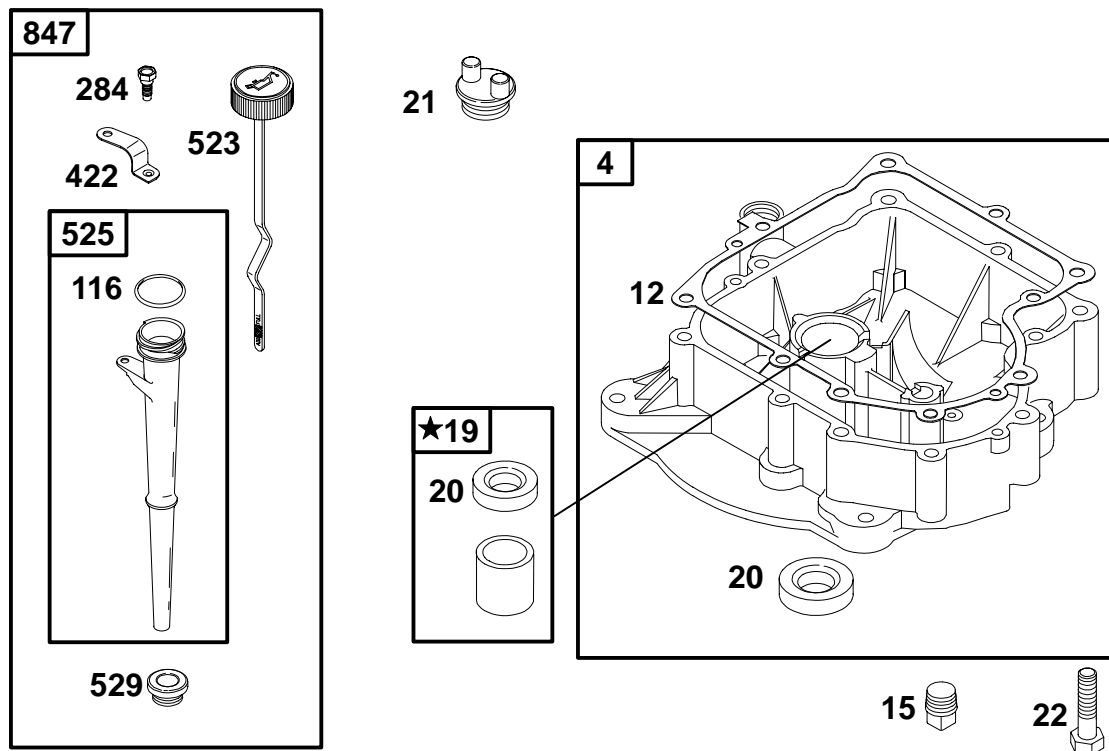


REF. NO.	PART NO.	DESCRIPTION	REF. NO.	PART NO.	DESCRIPTION	REF. NO.	PART NO.	DESCRIPTION
16	498994	Crankshaft (Used After Code Date 88071800). Note _____ 498993 Crankshaft (Used Before Code Date 88071900). Used on Type No(s). 0027, 0163, 0172, 0181, 0183, 0216, 0230, 0327, 0417.	27	260924	Lock-Piston Pin	219	490815	Governor/Oil Slinger
25	394661	Piston Assembly (Standard) Note _____ 394662 Piston Assy. (.010" O.S.) 394663 Piston Assy. (.020" O.S.) 394664 Piston Assy. (.030" O.S.)	28	299691	Pin-Piston (Standard) Note _____ 391286 Pin-Piston (.005" O.S.)	357	91540	Key-Drive Pulley
26	391780	Ring Set (Standard) Note _____ 392331 Ring Set (Standard Chrome) 391781 Ring Set (.010" O.S.) 391782 Ring Set (.020" O.S.) 391783 Ring Set (.030" O.S.)	29	490348	Rod-Connecting (Standard) Note _____ 490469 Rod-Connecting (.020" Undersize)	741	262932	Gear-Timing (Used with Woodruff Timing Key) Note _____ 261196 Gear-Timing (Used with Dowel Pin Timing Key)
			31	222299	Lock-Rod Screw	757	213998	Link-Counterweight
			32	94671	Screw-Conn. Rod	758	391373	Counterweight
			33	261185	Valve-Exhaust	759	230787	Pin-Counterweight
			34	261462	Valve-Intake	761	94593	Screw-Hex.
			35	65906	Spring-Valve	1020	261242	Eccentric
			36	26828	Spring-Valve	1021	94853	Pin-Eccentric
			40	221596	Retainer-Valve			
			41	292260	Retainer-Valve Note _____ 68293 Retainer-Valve Used on Type No(s). 0030, 0031, 0032.			
			42	494553	Keeper-Valve			
			45	262248	Tappet-Valve			
			46	212897	Gear-Cam			
			146	94196	Key-Timing (Woodruff) Note _____ 231086 Key-Timing (Dowel Pin)			

★ Included in Gasket Set-Part No. 393411.
● Included in Carburetor Kit-Part No. 394698.

∅ Included in Valve Overhaul Gasket Set-Part No. 498537.

253700 to 253799

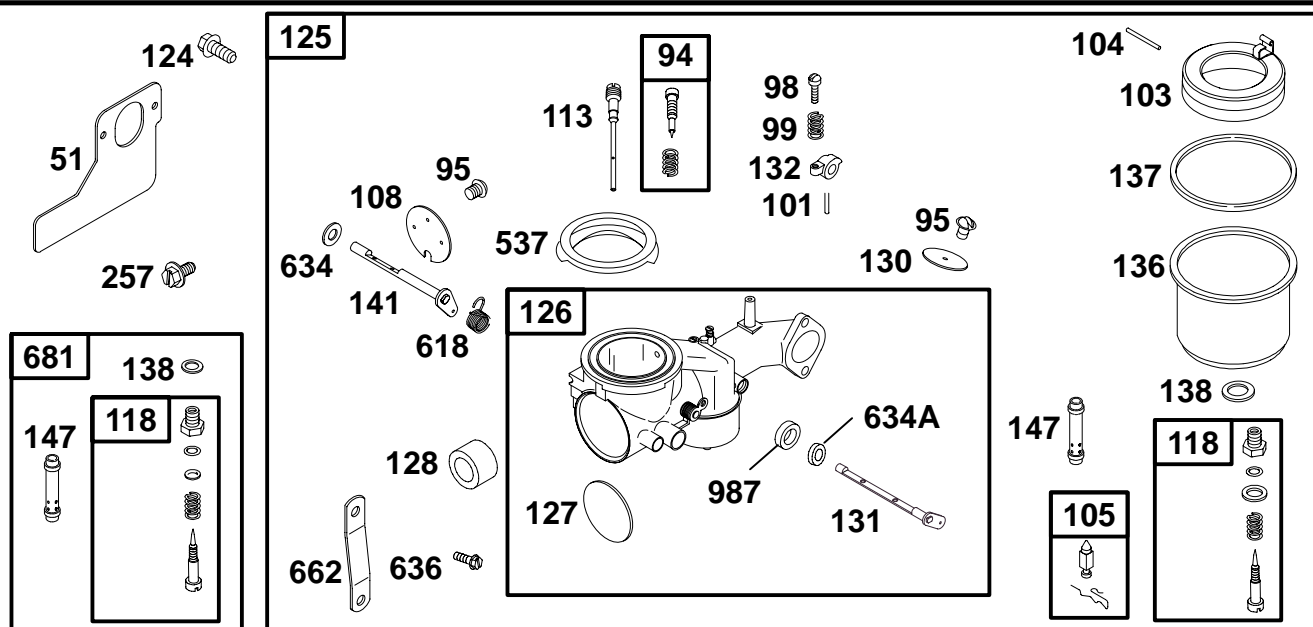


**★ REQUIRES SPECIAL TOOLS TO INSTALL.
SEE REPAIR INSTRUCTION MANUAL.**

REF. NO.	PART NO.	DESCRIPTION	REF. NO.	PART NO.	DESCRIPTION	REF. NO.	PART NO.	DESCRIPTION
4	391784	Sump-Engine	22	93585	Screw-Hex.	525	280134	Tube-Oil Fill
12	★271702	Gasket-Crankcase (.015" Thick, Standard)	116	★270920	Seal-O-Ring			Note
		Note	284	94874	Screw-Hex.			497419 Tube-Oil Fill
		★270915 Gasket-Crankcase (.005" Thick)	422	224872	Bracket-Oil Fill			Used on Type No(s). 0155.
		★270916 Gasket-Crankcase (.009" Thick)			Note	529	★281370	Seal-Fill Tube
15	94239	Plug-Oil Drain			223559 Bracket-Oil Fill	847	392067	Dipstick/Tube Assembly
19	490666	Bushing/Seal Kit			Used on Type No(s). 0155.			Note
20	★291675	Seal-Oil	523	495229	Dipstick			398376 Dipstick/Tube Assembly
21	66768	Plug-Oil Fill			Note			Used on Type No(s). 0155.
					398331 Dipstick			
					Used on Type No(s). 0155.			

★ Included in Gasket Set-Part No. 393411.
● Included in Carburetor Kit-Part No. 394698.

∅ Included in Valve Overhaul Gasket Set-Part No. 498537.

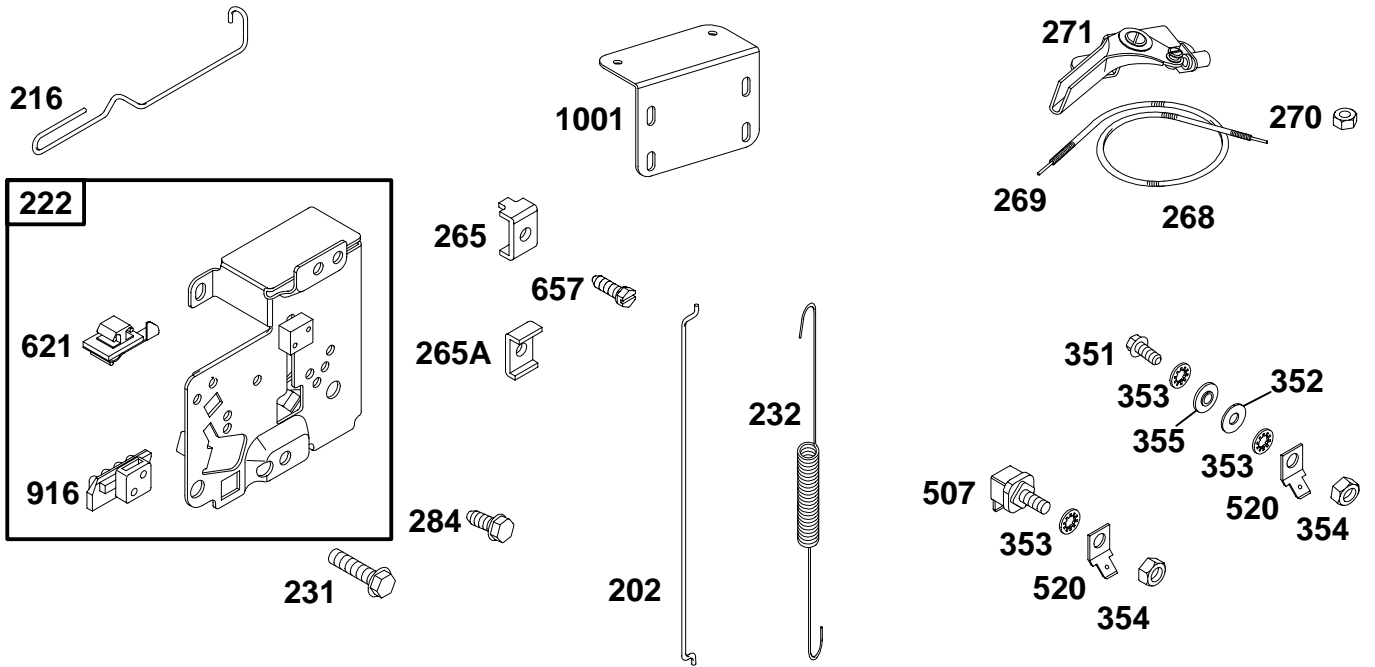


REF. NO.	PART NO.	DESCRIPTION	REF. NO.	PART NO.	DESCRIPTION	REF. NO.	PART NO.	DESCRIPTION	
51	498869	Gasket-Carb Mounting		491028	Carburetor (Remote & Manual Choke)			0413, 0414, 0415, 0416, 0417, 0418, 0420, 0421, 0422, 0424, 0425, 0429, 0430, 0431, 0432, 0433, 4005.	
94	292681	Kit-Idle Mixture			Used on Type No(s). 0025, 0030, 0031, 0032, 0111, 0118, 0131, 0133, 0134, 0138, 0139, 0140, 0146, 0151, 0161, 0186, 0210, 0247, 0251, 0426, 0428.			394038 Body Assembly-Upper Used on Type No(s). 0144, 0155, 0171, 0189, 0190, 0246, 0250.	
95	93499	Screw-Choke/Throttle		491029	Carburetor (Choke A Matic®) Used on Type No(s). 0155.	127	221997	Plug-Welch	
98	91920	Screw-Slotted		490149	Carburetor (Remote Choke) Used on Type No(s). 0144, 0171, 0189, 0190, 0246, 0250.	128	211960	Venturi-Carburetor	
99	26157	Spring-Friction		490472	Carburetor (Remote Choke) Used on Type No(s). 0325.	130	222433	Valve-Throttle	
101	93043	Pin-Throttle Lever				131	491006	Throttle Shaft Kit	
103	299707	Float-Carburetor		126	391787	Body Assembly-Upper	132	211712	Stop-Throttle
104	231435	Pin-Float Hinge				136	221995	Bowl-Float	
105	394681	Valve-Needle (Gravity Feed)				137	270511	Gasket-Float Bowl	
		Note				138	222014	Washer	
		394683				141	390684	Shaft-Choke	
		Valve-Needle (Pump Feed)						Note	
108	222010	Valve-Choke						299647	
113	299740	Nozzle-Carburetor				147	231323	Nozzle-Carburetor	
118	396568	Valve-High Speed				257	93543	Screw-Slotted	
124	94913	Screw-Torx® Hex.				537	270853	Gasket-Air Cleaner	
125	491026	Carburetor Assembly (Choke A Matic®)				618	261116	Spring	
		Note				634	270382	Washer	
		491031				634A	271013	Washer-Seal (Foam)	
		Carburetor (Choke A Matic®) Used on Type No(s). 0213, 0218, 0220, 0223, 0315, 0316, 0318, 0326, 0327, 0328, 0400, 0408, 0409, 0410, 0413, 0414, 0415, 0416, 0417, 0418, 0420, 0421, 0422, 0424, 0425, 0429, 0430, 0431, 0432, 0433, 4005.				636	94874	Screw-Hex.	
						662	224440	Bracket-Carburetor	
						681	396795	Nozzle-Carburetor	
						987	398970	Seal-Throttle Shaft	

★ Included in Gasket Set-Part No. 393411.
● Included in Carburetor Kit-Part No. 394698.

∅ Included in Valve Overhaul Gasket Set-Part No. 498537.

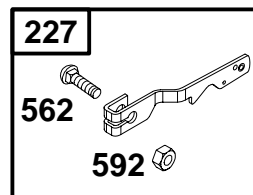
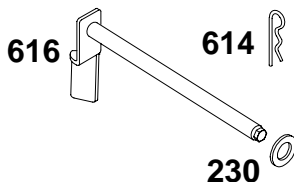
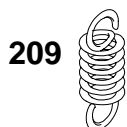
253700 to 253799



REF. NO.	PART NO.	DESCRIPTION	REF. NO.	PART NO.	DESCRIPTION	REF. NO.	PART NO.	DESCRIPTION
202	262348	Link-Mechanical Governor (Used After Code Date 87030100). —— Note —— 261609 Link-Mech. Governor (Used After Code Date 82110211 and Before Code Date 87030200). 261198 Link-Choke (Used Before Code Date 82110311).	231	94627	Screw (Control Bracket)			0130, 0143, 0144, 0148, 0154, 0160, 0163, 0168, 0171, 0178, 0181, 0183, 0184, 0187, 0188, 0208, 0211.
			232	260584	Spring-Link (Used After Code Date 82110211). —— Note —— 261197 Spring-Link (Used Before Code Date 82110311).	352	66068	Washer-Fiber
			265	221535	Clamp-Casing	353	92791	Washer-Lock
			265A	22372	Clamp-Casing	354	90576	Nut-Hex.
			268	65616	Casing-Wire (Cut to Required Length)	355	66554	Washer-Fiber
216	261610	Link-Choke (Used After Code Date 82110211). —— Note —— 261274 Link-Choke (Used Before Code Date 82110311).	269	26633	Wire-Control (Cut to Required Length)	507	398525	Insulator
			270	63426	Locknut-Casing	520	93722	Terminal
			271	290568	Lever-Control	657	94906	Screw-Slotted Hex.
			284	94874	Screw-Hex. (Used After Code Date 83042100). —— Note —— 94882 Screw-Hex. (Used Before Code Date 83042200).	621	396847	Switch-Stop (Used After Code Date 85041400). —— Note —— 297472 Switch-Stop (Used Before Code Date 85041500).
222	491594	Bracket-Control (Choke A Matic®) —— Note —— 491593 Bracket-Control (Remote & Manual Choke) 396349 Bracket-Control (Used Before Code Date 82110311).	351	93735	Screw-Slotted —— Note —— 91920 Screw-Slotted Used on Type No(s). 0015, 0016, 0020, 0025, 0026, 0028,	916	280324	Rack-Governor Gear (Choke A Matic®) —— Note —— 280321 Rack-Governor Gear (Remote & Manual Choke)
						1001	223680	Bracket-Support

★ Included in Gasket Set-Part No. 393411.
● Included in Carburetor Kit-Part No. 394698.

∅ Included in Valve Overhaul Gasket Set-Part No. 498537.

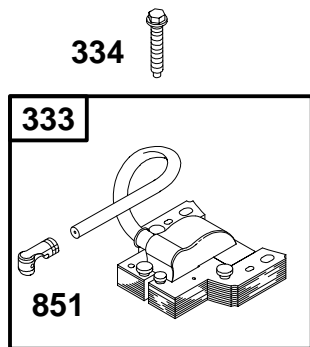


REF. NO.	PART NO.	DESCRIPTION	REF. NO.	PART NO.	DESCRIPTION	REF. NO.	PART NO.	DESCRIPTION		
209	260871	Spring–Governor (Used After Code Date 87030100). 261129 Spring–Gov. (Used Before Code Date 87030200). ———— Note ——— 261126 Spring–Gov. (Used After Code Date 87030100). Used on Type No(s). 0027, 0030, 0152, 0180, 0188, 0196, 0202, 0223, 0230, 0327, 0433. 261130 Spring–Gov. (Used After Code Date 87030100). Used on Type No(s). 0031, 0032, 0179, 0184, 0199. 260695 Spring–Gov. (Used After Code Date 87030100). Used on Type No(s). 0026, 0121, 0122, 0130, 0131, 0135, 0137, 0143, 0154, 0155, 0156, 0157, 0158, 0159, 0160, 0163, 0167, 0168, 0170, 0171, 0172, 0173, 0177, 0178, 0181, 0182, 0183, 0187, 0195, 0197, 0200, 0201, 0204, 0206, 0208, 0209, 0211, 0212, 0213, 0216, 0217, 0218, 0220, 0221, 0222, 0224, 0229, 0246, 0247, 0248, 0249,			0250, 0253, 0326, 0406, 0407, 0408, 0409, 0410, 0411, 0417, 0418, 0419, 0421, 0423, 0425, 0428, 0429. 261306 Spring–Gov. (Used Before Code Date 87030200). Used on Type No(s). 0026, 0027, 0121, 0122, 0130, 0131, 0135, 0137, 0143, 0152, 0154, 0155, 0156, 0157, 0158, 0159, 0160, 0163, 0167, 0168, 0170, 0171, 0172, 0173, 0177, 0178, 0180, 0181, 0182, 0183, 0184, 0187, 0188, 0195, 0196, 0197, 0199, 0200, 0201, 0202, 0204, 0206, 0208, 0209, 0211, 0212, 0213, 0216, 0217, 0218, 0220, 0221, 0222, 0223, 0224, 0229, 0230, 0246, 0247, 0248, 0249, 0250, 0253, 0326, 0327, 0406, 0407, 0408, 0409, 0410, 0411, 0417, 0418, 0419, 0421, 0423, 0425, 0428, 0429. 260871 Spring–Gov. (Used Before Code Date 87030200). Used on Type No(s). 0031, 0032, 0179.			227	490927	Lever–Governor (Used After Code Date 87030100). ———— Note ——— 391733 Lever– Gov. (Used Before Code Date 87030200). 230 94927 Washer–Flat 562 94907 Bolt–Governor Lever 592 231978 Nut–Hex. 614 93306 Pin–Cotter 616 495157 Crank–Governor

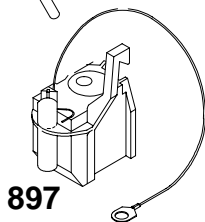
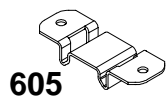
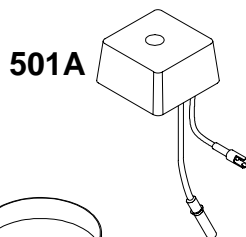
★ Included in Gasket Set–Part No. 393411.
● Included in Carburetor Kit–Part No. 394698.

∅ Included in Valve Overhaul Gasket Set–Part No. 498537.

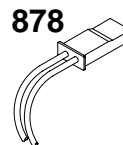
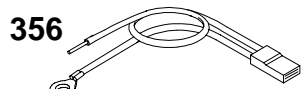
253700 to 253799

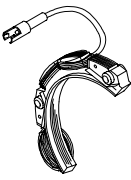

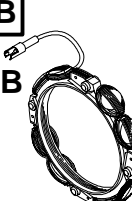
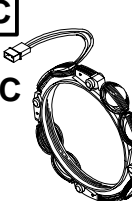
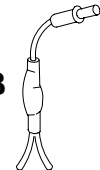
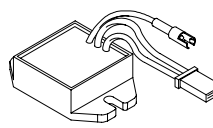


526 



NOTE: ALL STATORS USE NO. 482 MOUNTING SCREW. 

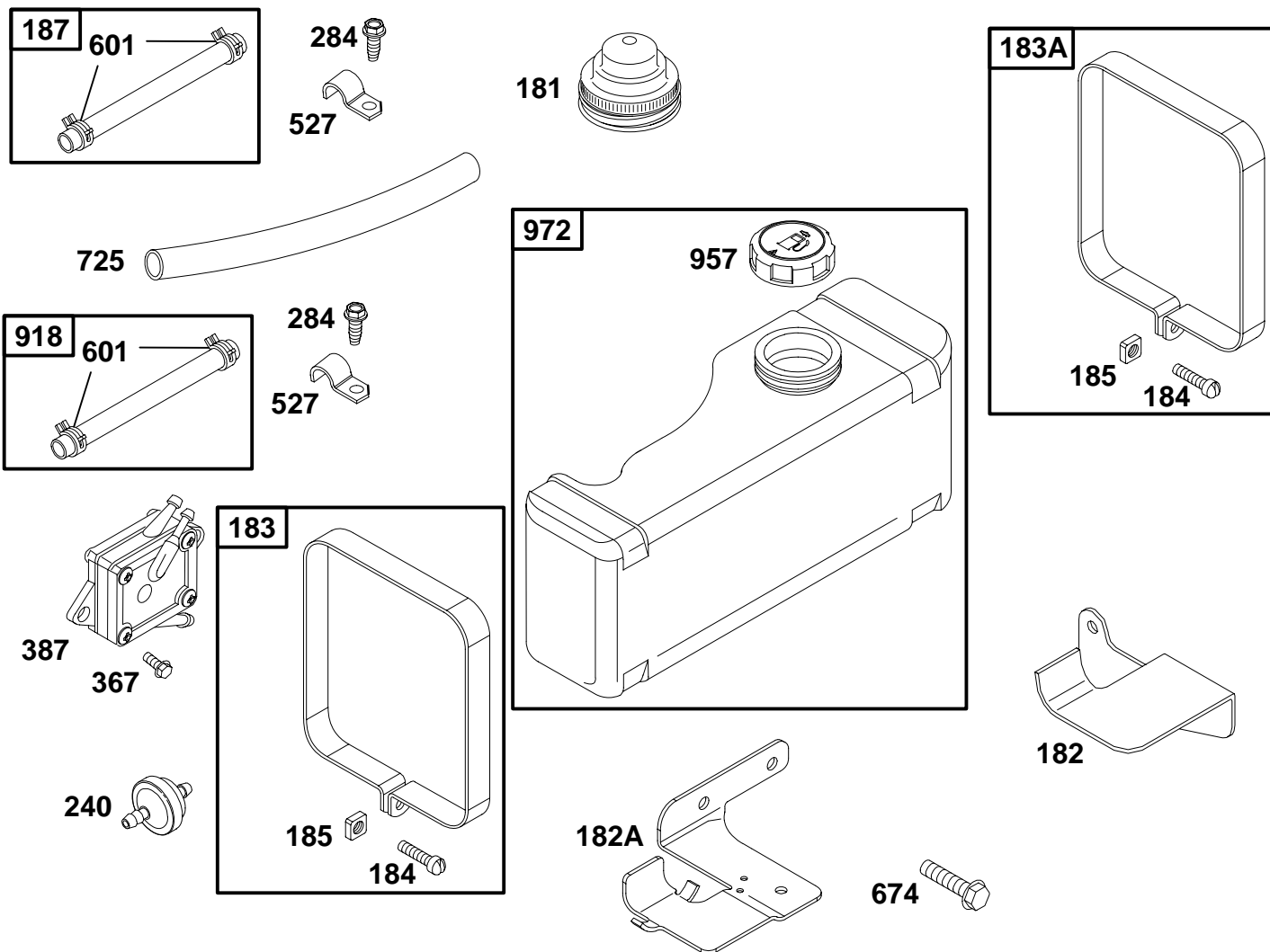


DC ONLY	DUAL CIRCUIT	TRI-CIRCUIT	10 AMP
474 	474A 	474B 	474C 
		878B 	501 

REF. NO.	PART NO.	DESCRIPTION	REF. NO.	PART NO.	DESCRIPTION	REF. NO.	PART NO.	DESCRIPTION
333	398811	Armature-Magneto	501	394890	Regulator	605	222934	Bracket-Mounting
334	94731	Screw-Hex.			Note	851	493880	Terminal-Cable
356	398808	Wire-Stop			397809 Regulator	841	393514	Clamp
356A	494328	Wire-Stop			Used on Type No(s).	877	393814	Wire-Alternator
474	391529	Alternator			0172, 0230.	877A	393456	Wire-Alternator
474A	393474	Alternator	501A	491546	Regulator	877B	393537	Wire-Alternator
474B	392595	Alternator	526	93343	Screw-Hex.	877C	399916	Wire-Alternator
474C	393295	Alternator			Note	878	393362	Harness-Alternator
482	93621	Screw-Hex.			94137 Screw-Hex.	878B	392606	Harness-Alternator
					Used on Type No(s).	897	394970	Magnetron Ignition Kit
					0172, 0230, 4005.			

★ Included in Gasket Set-Part No. 393411.
● Included in Carburetor Kit-Part No. 394698.

∅ Included in Valve Overhaul Gasket Set-Part No. 498537.

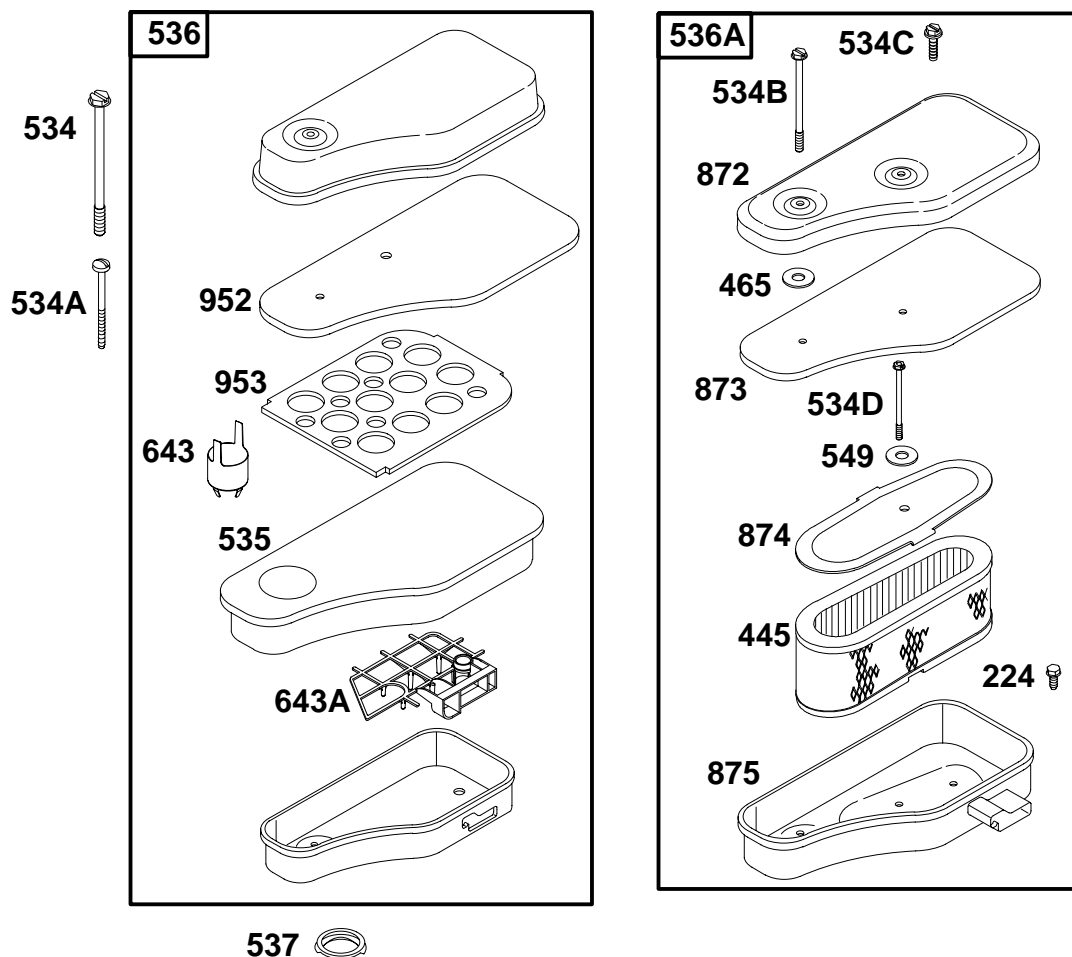


REF. NO.	PART NO.	DESCRIPTION	REF. NO.	PART NO.	DESCRIPTION	REF. NO.	PART NO.	DESCRIPTION
6	22963	Washer-Flat (Qty. 4) (Used on Rewind Start Engines Only)	183A	496852	Strap-Fuel Tank (L.H.)	527	221428	Clamp-Tube
		Note	184	94286	Screw-Hex.	601	93053	Clamp-Hose
		22776 Washer-Flat (Qty. 2) (Used on Electric Start Engines)	185	90970	Nut	674	94627	Screw (Fuel Tank Bracket, 3/4" Long)
181	392305	Cap-Fuel Tank	186	67218	Connector-Hose			Note
182	222980	Bracket-Fuel Tank (R.H.)	187	299146	Line-Fuel (Cut to Required Length)			93634 Screw (Fuel Tank Bracket, 7/8" Long)
182A	224884	Bracket-Fuel Tank (L.H.)	240	298090	Filter-Fuel	725	222175	Shield-Heat
183	496853	Strap-Fuel Tank (R.H.)			Note	918	393815	Hose-Vacuum (Cut to Required Length)
			284	94874	Screw-Hex.	957	493988	Cap-Fuel Tank
			367	93380	Screw-Hex.	972	390225	Tank-Fuel (3 Quart)
			387	494280	Pump-Fuel			

★ Included in Gasket Set-Part No. 393411.
● Included in Carburetor Kit-Part No. 394698.

∅ Included in Valve Overhaul Gasket Set-Part No. 498537.

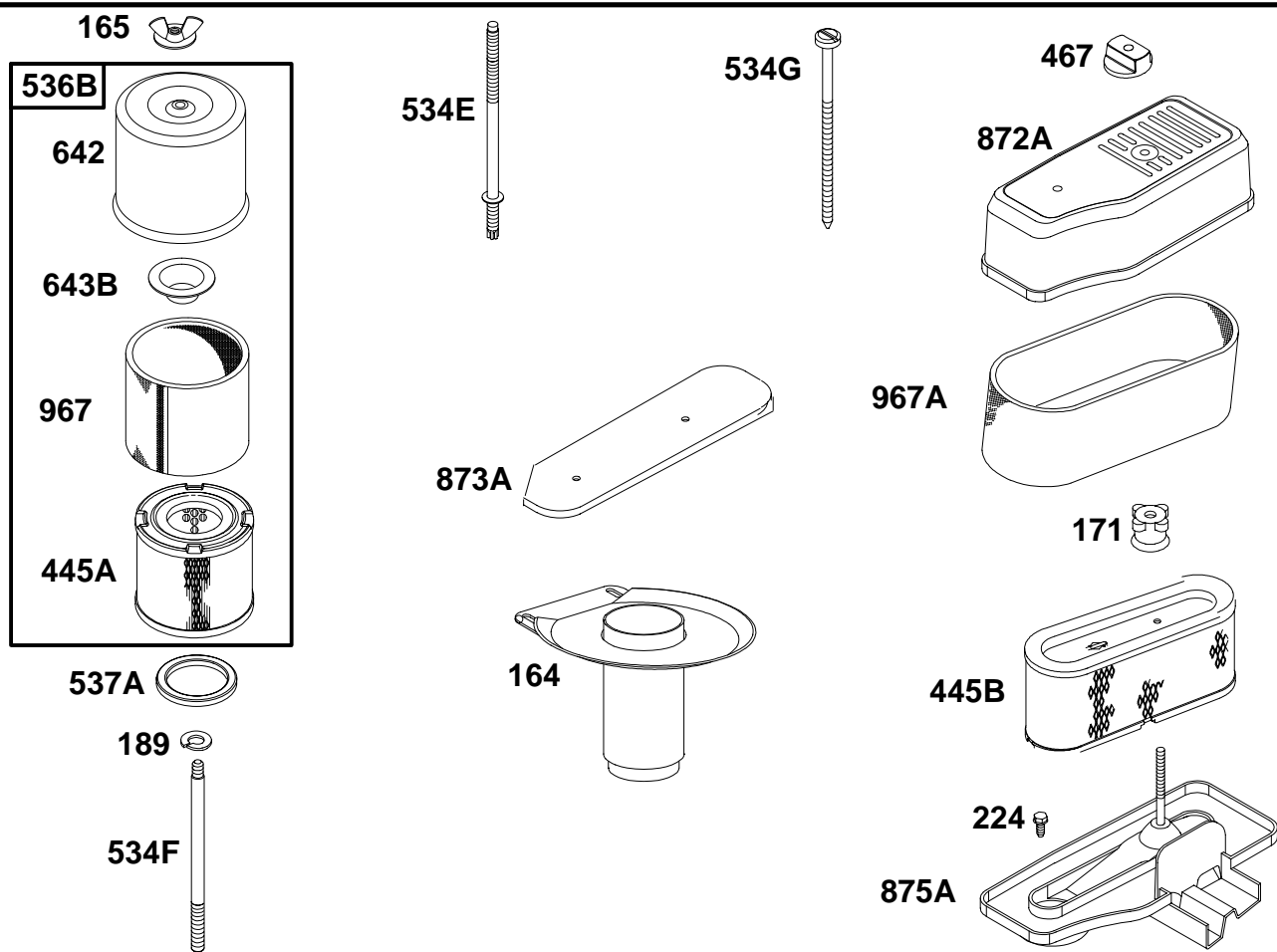
253700 to 253799



REF. NO.	PART NO.	DESCRIPTION	REF. NO.	PART NO.	DESCRIPTION	REF. NO.	PART NO.	DESCRIPTION
224	94902	Screw-Hex.	535	270843	Filter-A/C Foam	872	396966	Cover-Air Cleaner
445	393725	Filter-A/C Cartridge	536	391786	Cleaner-Air	873	★397971	Gasket-Cleaner Cover
465	271118	Washer	536A	393749	Cleaner-Air	874	222898	Retainer-Air Filter
534	93323	Screw-Slotted	537	★270853	Gasket-Air Cleaner	875	397321	Base-Air Cleaner
534A	93622	Screw-Slotted	549	270978	Washer	952	222495	Spacer-Air Cleaner
534B	93911	Screw-Slotted	643	222380	Spacer-Air Cleaner	953	222382	Screen-Air Cleaner
534C	93913	Screw-Slotted	643A	280118	Retainer-Air Filter			
534D	93910	Screw-Slotted						

★ Included in Gasket Set-Part No. 393411.
 ● Included in Carburetor Kit-Part No. 394698.

∅ Included in Valve Overhaul Gasket Set-Part No. 498537.

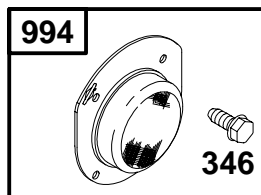
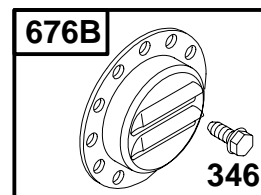
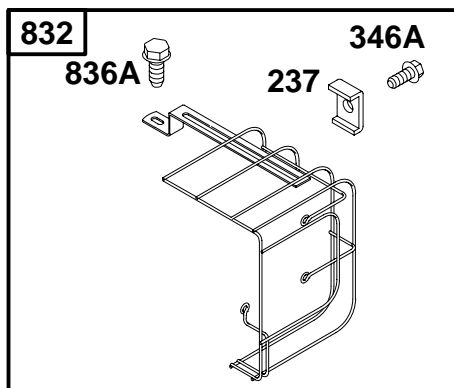
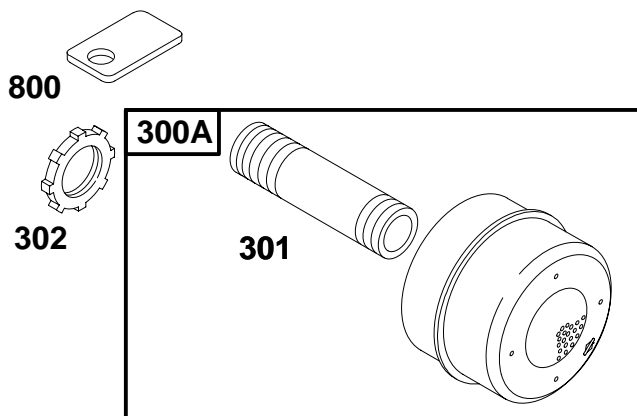
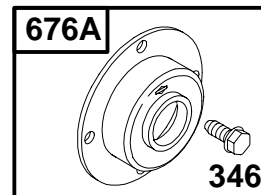
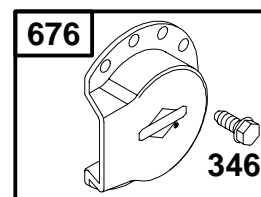
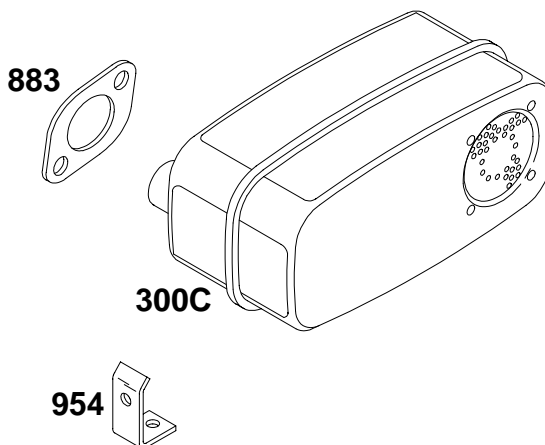
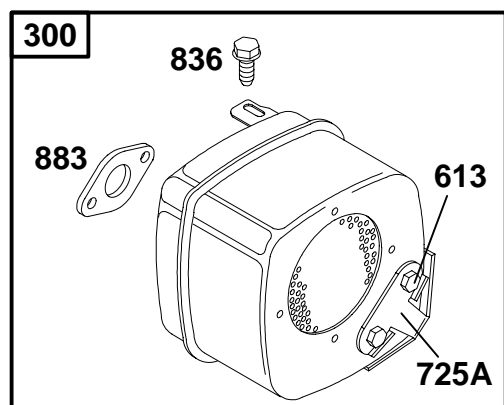


REF. NO.	PART NO.	DESCRIPTION	REF. NO.	PART NO.	DESCRIPTION	REF. NO.	PART NO.	DESCRIPTION
164	399669	Pipe-Air Cleaner	534G	94290	Screw-Slotted (3 13/16" Long) Used on Type No(s). 0213, 0411.	872A	223700	Cover-Air Cleaner
165	94289	Nut-Wing			Note			Note
171	281051	Knob-Air Cleaner			94291			490975
189	90832	Washer-Lock			94291			Cover-Air Cleaner
224	94902	Screw-Hex.						Used on Type No(s). 0213, 0411.
445A	393957	Filter-A/C Cartridge	967	271794	Filter-Precleaner	873A	★271982	Gasket-Cleaner Cover
445B	399806	Filter-A/C Cartridge	967A	271962	Filter-Precleaner			Used on Type No(s). 0213, 0411.
467	493903	Knob-Air Cleaner	536B	391063	Cleaner-Air	875A	491877	Base-Air Cleaner
534E	94246	Stud-Standard (3 1/2" Long)	537A	280699	Gasket-Air Cleaner			Note
		Note	642	224885	Cover-Air Cleaner			490481
		94248	643B	222272	Retainer-Air Filter			Base-Air Cleaner
		(6 3/4" Long)						Used on Type No(s). 0213, 0411.
534F	231457	Stud-Standard						

★ Included in Gasket Set-Part No. 393411.
● Included in Carburetor Kit-Part No. 394698.

∅ Included in Valve Overhaul Gasket Set-Part No. 498537.

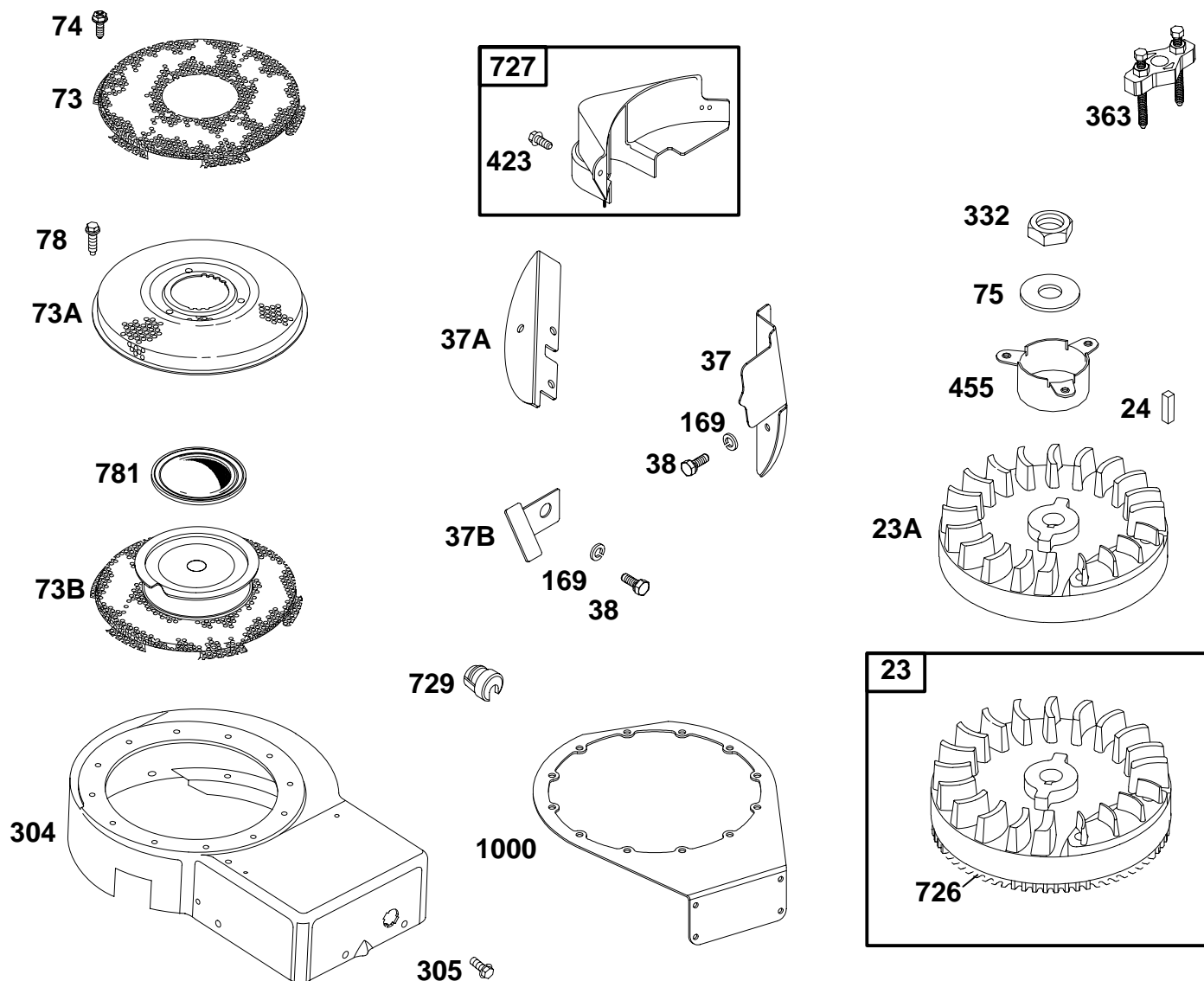
253700 to 253799



REF. NO.	PART NO.	DESCRIPTION	REF. NO.	PART NO.	DESCRIPTION	REF. NO.	PART NO.	DESCRIPTION
237	222379	Retainer-Guard	346A	93587	Screw-Hex.	832	398247	Guard-Muffler
300	491413	Muffler-Exhaust	613	93927	Screw-Shoulder	836	94905	Screw-Torx® Hex.
300A	391569	Muffler-Exhaust	676	393761	Deflector-Muffler	836A	94887	Screw-Hex.
300C	498984	Muffler-Exhaust	676A	396903	Deflector-Muffler	883	Ø★272293	Gasket-Exhaust
301	93768	Pipe-Muffler	676B	397630	Deflector-Muffler	954	223379	Bracket-Mounting
302	261564	Locknut-Muffler	725A	223023	Shield-Heat	994	392390	Arrestor-Spark
346	94896	Screw-Hex.	800	222095	Retainer			

★ Included in Gasket Set-Part No. 393411.
 ● Included in Carburetor Kit-Part No. 394698.

Ø Included in Valve Overhaul Gasket Set-Part No. 498537.

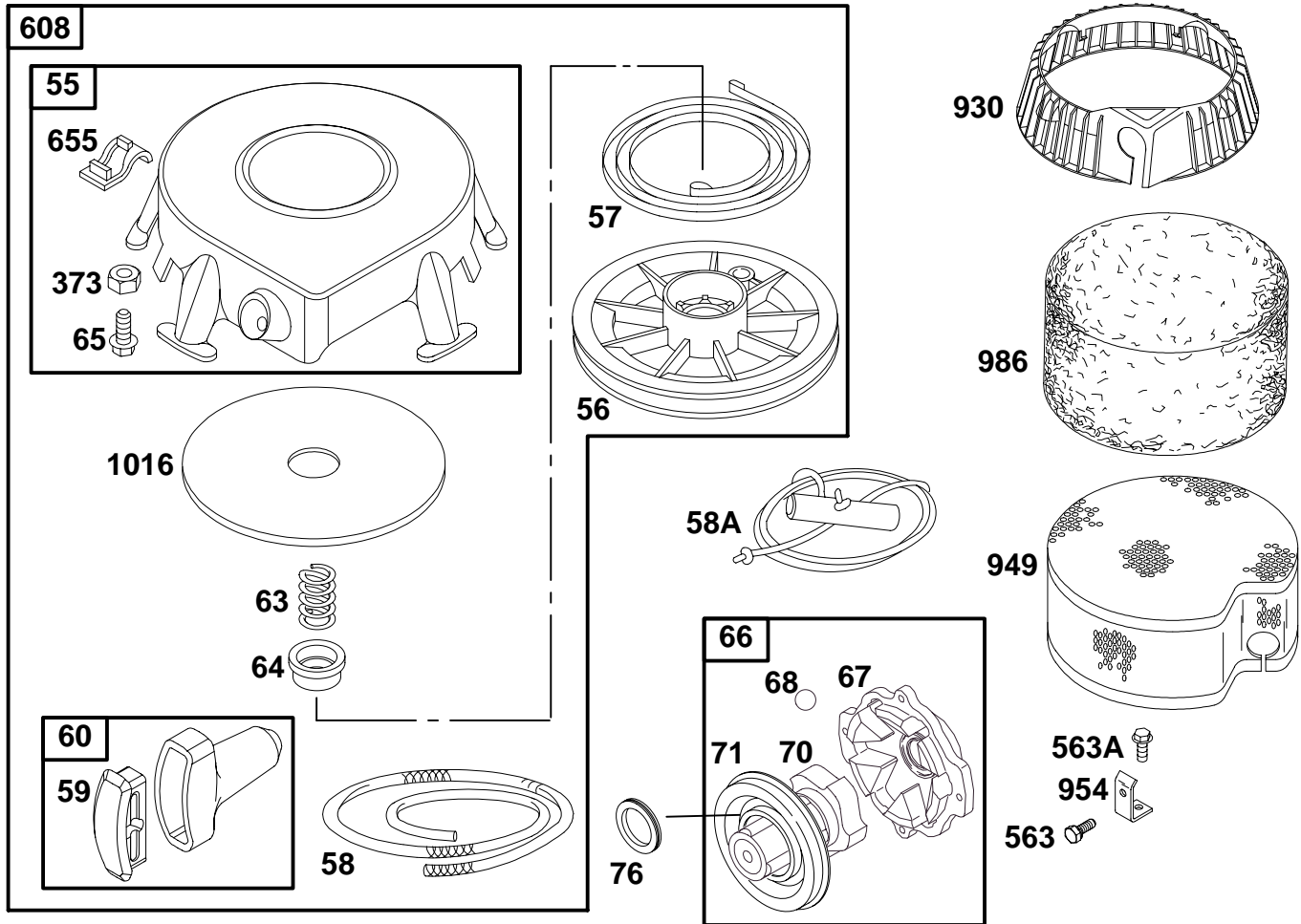


REF. NO.	PART NO.	DESCRIPTION	REF. NO.	PART NO.	DESCRIPTION	REF. NO.	PART NO.	DESCRIPTION
23	498911	Flywheel Note 498910 Flywheel Used on Type No(s). 0198, 0246, 0250, 0426, 4005.	73A	224517	Screen-Rotating	332	94877	Nut-Flywheel
23A	498896	Flywheel	73B	496084	Screen-Rotating	363	19203	Puller-Flywheel
24	222698	Key-Flywheel	74	93758	Screw-Hex.	423	94625	Screw-Shoulder
37	224886	Guard-Flywheel	75	225136	Washer-Flywheel	455	222561	Cup-Flywheel
37A	222475	Guard-Flywheel	78	94626	Screw-Phillips	726	399676	Gear-Ring
37B	224871	Guard-Flywheel	169	93713	Washer-Lock	727	395405	Cover-Starter Drive
38	94811	Screw-Hex.	304	398333	Housing-Blower Note	729	281159	Clip-Wire
73	224874	Screen-Rotating	305	94786	Screw-Hex.	781	280068	Cap-Starter Pulley
						1000	223677	Bracket-Blower Housing

★ Included in Gasket Set-Part No. 393411.
● Included in Carburetor Kit-Part No. 394698.

∅ Included in Valve Overhaul Gasket Set-Part No. 498537.

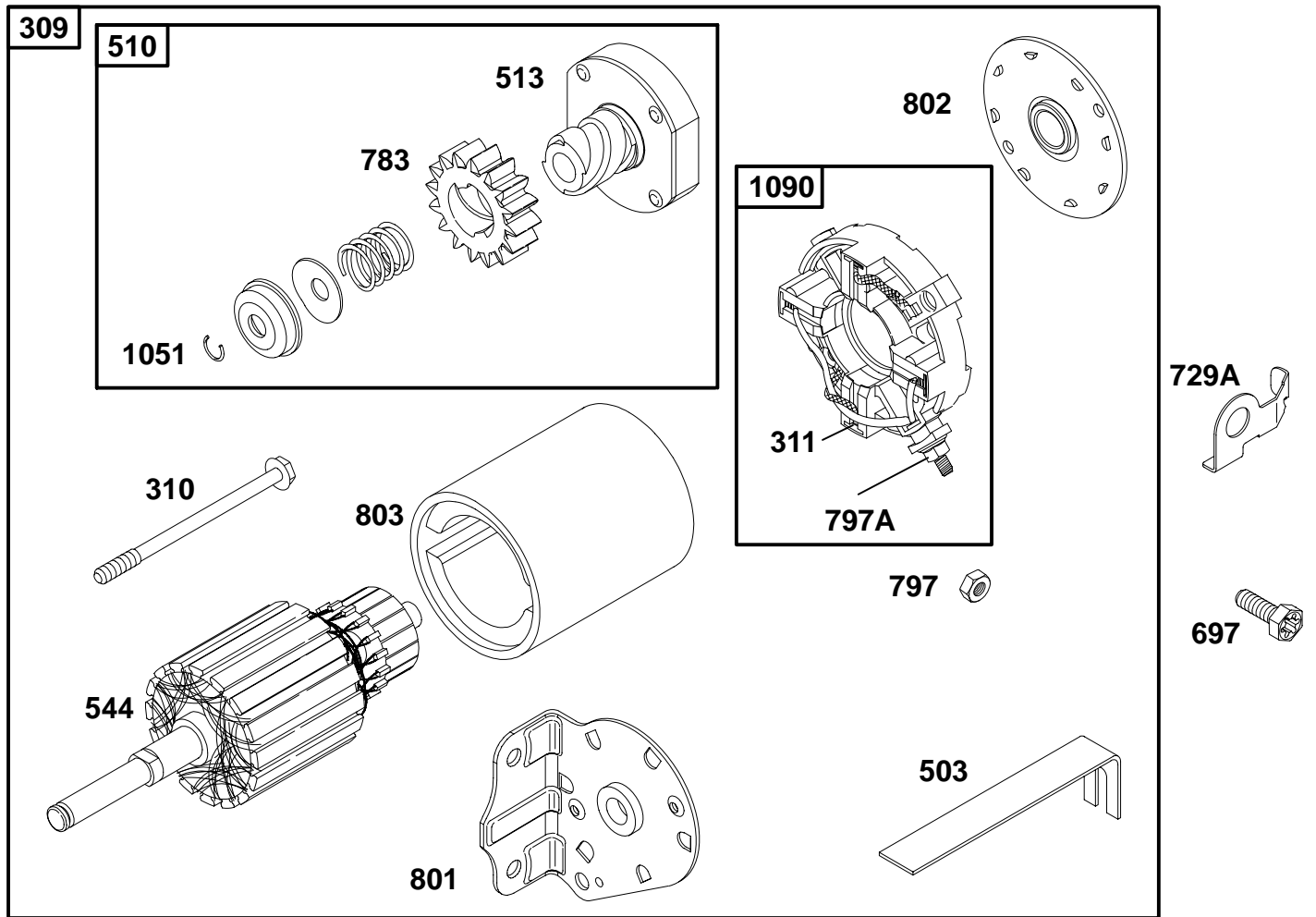
253700 to 253799



REF. NO.	PART NO.	DESCRIPTION	REF. NO.	PART NO.	DESCRIPTION	REF. NO.	PART NO.	DESCRIPTION
55	393576	Housing—Rewind Starter	65	94904	Screw—Hex. ————— Note ———	655	222598	Anchor—Spring
56	295871	Pulley—Starter (Includes Rope)		93420	Screw—Hex. Used on Type No(s). 0133, 0134, 0139, 0151, 0426.	930	280685	Guard—Rewind
57	490179	Spring—Rewind Starter	66	399671	Clutch—Starter	949	397530	Guard—Debris Screen (Used with Rewind Start)
58	66894	Rope—Starter (Cut to Required Length)	67	394897	Housing—Clutch			————— Note ———
58A	69932	Rope—Starter	68	63770	Ball—Clutch			398857 Guard—Debris Screen (Used with Electric Start)
59	490653	Insert—Grip	70	298799	Ratchet—Clutch	954	223379	Bracket—Mounting
60	490652	Grip—Starter Rope	71	394506	Cover—Ratchet	986	271735	Filter—Debris
63	260414	Spring—Ratchet	76	68238	Seal	1016	490817	Spacer—Rewind
64	281204	Adapter—Spring	373	94908	Nut—Hex.			
			563	94925	Screw (Debris Screen Guard)			
			563A	93067	Screw (Debris Screen Guard)			
			608	390391	Starter—Rewind			

★ Included in Gasket Set—Part No. 393411.
● Included in Carburetor Kit—Part No. 394698.

∅ Included in Valve Overhaul Gasket Set—Part No. 498537.

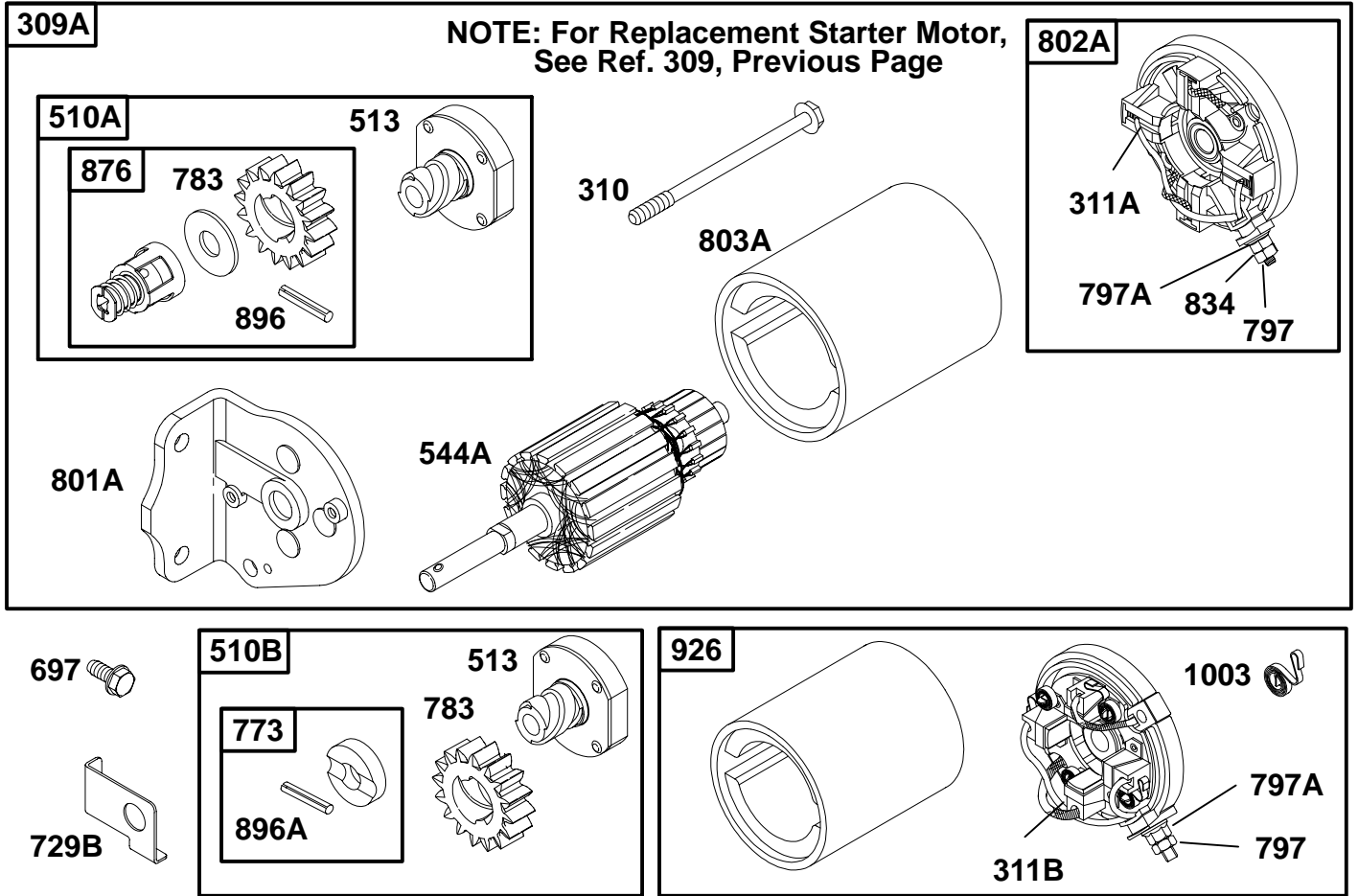


REF. NO.	PART NO.	DESCRIPTION	REF. NO.	PART NO.	DESCRIPTION	REF. NO.	PART NO.	DESCRIPTION
309	693054	Motor-Starter (3 5/8" Housing Length) Note ——— 499521 Motor-Starter (4 3/8" Housing Length)	311	497608	Brush Set	797	92278	Nut (Starter Terminal)
310	94003	Bolt (Starter Motor) (For 3 5/8" Housing Length) Note ——— 95035 Bolt (Starter Motor) (For 4 3/8" Housing Length)	503	806000	Strap-Starter	797A	693167	Nut (Starter Terminal)
			510	497606	Drive-Starter	801	497626	Cap-Drive
			513	398003	Clutch-Drive	802	497607	Cap-End
			544	497603	Armature-Starter (For 3 5/8" Housing Length)	803	497604	Housing-Starter (For 3 5/8" Housing Length)
			697	94773	Screw (Starter Motor Mounting)	1051	263080	Ring-Retaining
			729A	225170	Clip-Wire	1090	497605	Retainer-Brush
			783	693059	Gear-Starter			

★ Included in Gasket Set-Part No. 393411.
● Included in Carburetor Kit-Part No. 394698.

∅ Included in Valve Overhaul Gasket Set-Part No. 498537.

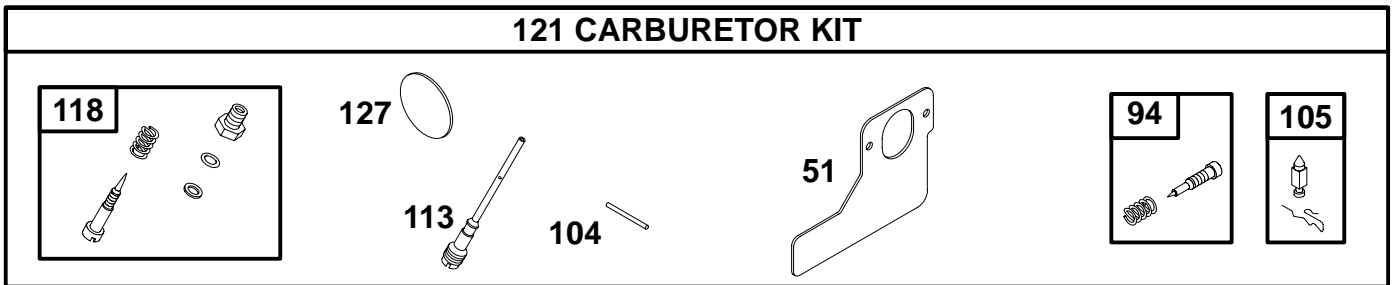
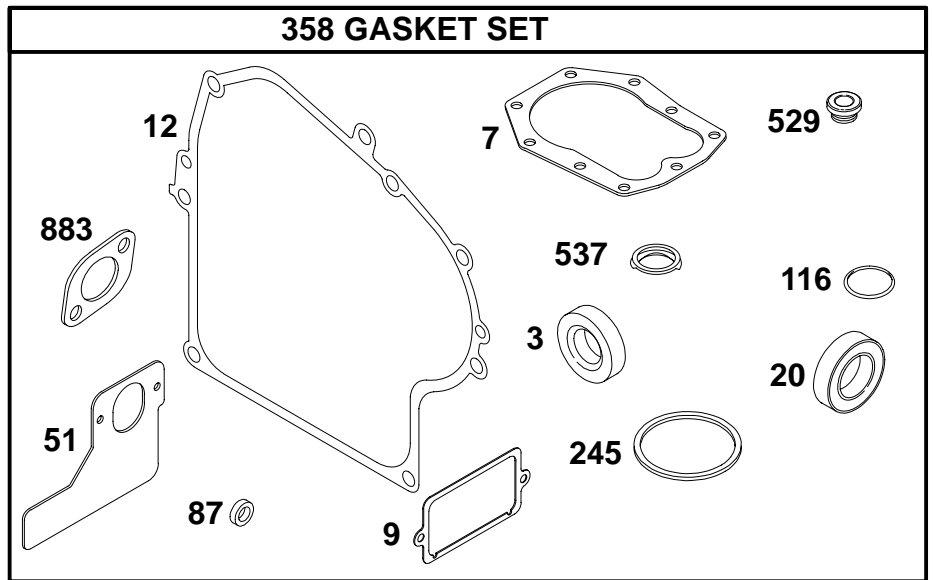
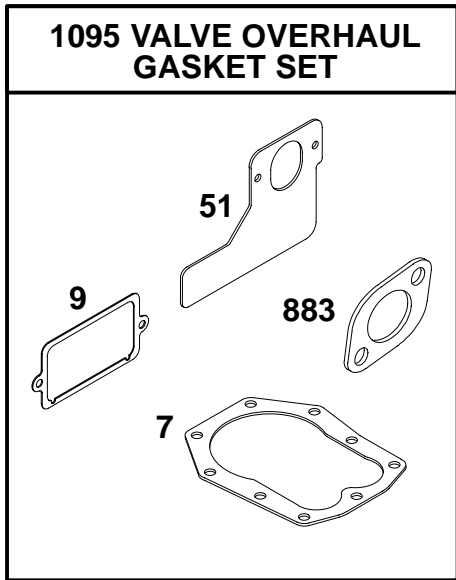
253700 to 253799



REF. NO.	PART NO.	DESCRIPTION	REF. NO.	PART NO.	DESCRIPTION	REF. NO.	PART NO.	DESCRIPTION	
309A		Motor-Starter (For Replacement Starter Motor, See Ref 309, Previous Page.)	510A	495878	Drive-Starter	802A	395537	Cap-End (For 3 5/8" and 4 3/8" Housing Lengths)	
			510B	391461	Drive-Starter	803A	398159	Housing-Starter (For 3 5/8" Housing Length)	
			513	398003	Clutch-Drive			Note _____	
310	94003	Bolt (Starter Motor) (For 3 5/8" Housing Length)	544A	390837	Armature-Starter (For 3 5/8" Housing Length)			Note _____	
		Note _____			391160	Armature-Starter (For 3 5/8" and 4 3/8" Housing Lengths)		494205	Housing-Starter (For 4 9/16" Housing Length)
		95035	697	94627	Screw (Starter Motor Mounting)	834	92507	Washer (Starter Terminal)	
		94169	729B	224723	Clip-Wire	876	495877	Kit-Gear	
311A	395538	Brush Set (For 3 5/8" and 4 3/8" Housing Lengths)	773	391462	Retainer-Clutch	896	94288	Pin-Drive Retainer (Copper)	
			783	693059	Gear-Starter	896A	94192	Pin-Drive Retainer (Black)	
311B	490311	Brush Set (For 4 9/16" Housing Length)	797	93715	Nut (Starter Terminal)	926	498233	Housing/Cap Kit (Hsg. Length 4 9/16")	
			797A	693167	Nut (Starter Terminal)	1003	490316	Spring-Brush (Hsg. Length 4 9/16")	
			801A	394856	Cap-Drive				

★ Included in Gasket Set-Part No. 393411.
● Included in Carburetor Kit-Part No. 394698.

∅ Included in Valve Overhaul Gasket Set-Part No. 498537.



REF. NO.	PART NO.	DESCRIPTION	REF. NO.	PART NO.	DESCRIPTION	REF. NO.	PART NO.	DESCRIPTION
3	★391086	Seal-Oil	20	★291675	Seal-Oil	127	●221997	Plug-Welch
7	∅★271866	Gasket-Cylinder Head	51	∅★270872	Gasket-Intake	245	★68477	Gasket-Bowl
9	∅★27803	Gasket-Breather	87	★491323	Seal-Governor Shaft	358	492653	Gasket Set
12	★271702	Gasket-Crankcase (.015" Thick, Standard)	94	●292681	Kit-Idle Mixture	529	★281370	Seal-Fill Tube
	Note		104	●231435	Pin-Float Hinge	537	★270853	Gasket-Air Cleaner
	★270915	Gasket-Crankcase (.005" Thick)	105	●394681	Valve-Needle (Gravity Feed)	883	∅★272293	Gasket-Exhaust
	★270916	Gasket-Crankcase (.009" Thick)	113	●299740	Nozzle-Carburetor	1095	498537	Gasket Set-Valve Overhaul
			116	★270920	Seal-O-Ring			
			118	●396568	Valve-High-Speed			
			121	394698	Carburetor Kit			

★ Included in Gasket Set-Part No. 393411.
● Included in Carburetor Kit-Part No. 394698.

∅ Included in Valve Overhaul Gasket Set-Part No. 498537.