

**254400 to 254499**

# Illustrated Parts List

## Model Series

### 254400 to 254499

TYPE NUMBERS  
0501 through 0516,  
0517 through 0571,  
0572 through 0578,  
1508, 1512, 1526,  
1559 through 1578,  
4003 through 4036,  
4044 through 4090,  
5004 through 5019,  
5025 through 5075.

#### TO FIND THE CORRECT NUMBER OF THE PART YOU NEED: FOLLOW THE INSTRUCTIONS BELOW

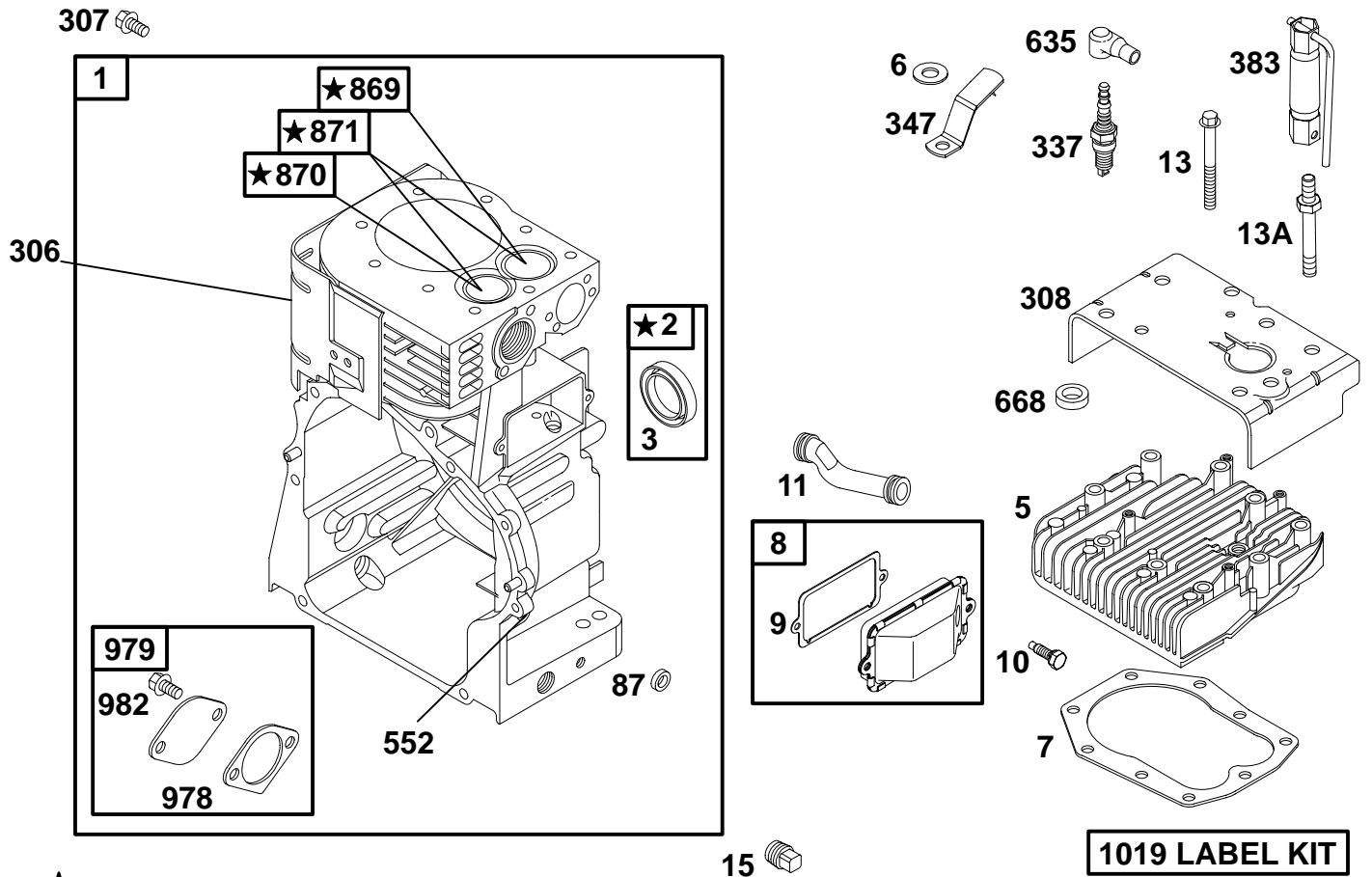
- A. Refer to Engine Model, Type and Code Number that is stamped on the blower housing of engine. Engine type numbers such as 0123 01 are listed only as 0123 in most instances. The two digits (01 or 02, etc.) to the right of the space may be required for more accurate parts identification in some instances. Select the Illustrated Parts List covering the correct Model Series and Type Number.
- B. Refer to the Illustrations and compare the original part with Illustration. The number next to the illustration is the Reference Number. Assemblies include all parts shown in frames. All parts shown in assembly frames having individual reference numbers can be purchased separately.
- C. After the Reference Number has been identified, refer to the Numerical text, where Reference and Primary Part Number are listed. **THE PRIMARY PART IS USED ON ALL TYPE NUMBERS EXCEPT THOSE TYPE NUMBERS UNDER "NOTE."**
- D. If a "Note" appears below the Primary Part Number, it means that this part differs from the Primary Part for certain types. If your Type number is listed under "Note," order the part referred to at the "Note."
- E. If your Engine Type Number does not appear after any part number listed under "Note," use the Primary Part Number.
- F. For Engine Type Numbers not covered by this book, check other Parts Lists having the same engine model or contact your source of supply.

PRINTED IN U.S.A.



COPYRIGHT by BRIGGS & STRATTON CORPORATION  
All rights reserved. No part of this material may be reproduced or transmitted, in any form or by any means, electronic or mechanical, including photocopying, recording or by any information storage and retrieval system, without permission in writing from Briggs & Stratton Corporation.

# 254400 to 254499



★ REQUIRES SPECIAL TOOLS TO INSTALL.  
SEE REPAIR INSTRUCTION MANUAL.

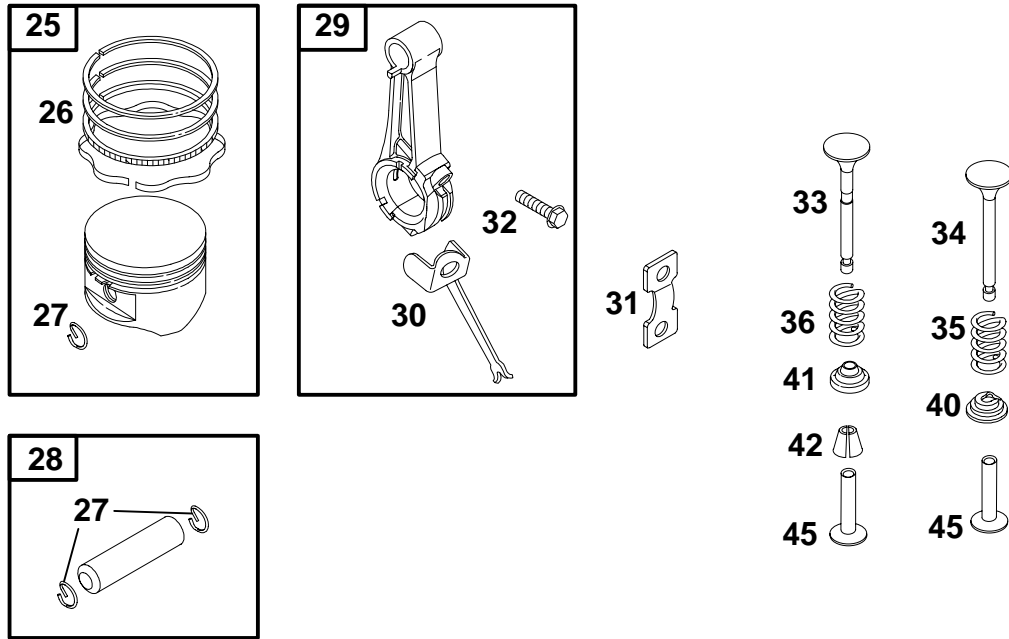
**1019 LABEL KIT**

**1058 OWNER'S MANUAL**

REF. NO.	PART NO.	DESCRIPTION	REF. NO.	PART NO.	DESCRIPTION	REF. NO.	PART NO.	DESCRIPTION	
1	497411	Cylinder Assembly	13A	93781	Stud-Hex. Drive	552	491893	Bushing-Gov. Crank	
2	399265	Bushing	15	94239	Plug-Oil Drain	635	66538	Boot-Spark Plug	
3	★391086	Seal-Oil			<b>Note</b>	668	231186	Spacer	
5	212914	Head-Cylinder			92738	Plug-Oil Drain (Magnetic)	869	261463	Seat-Valve (Intake)
		<b>Note</b>	87	★491323	Seal-Governor Shaft	870	262924	Seat-Valve (Exhaust)	
		212917	306	224882	Shield-Cylinder	871	261961	Bushing-Guide (Exhaust)	
		Used on Type No(s). 0525, 0527.			<b>Note</b>			<b>Note</b>	
6	22963	Washer			222306	Cover-Cylinder			
7	∅★271866	Gasket-Cylinder Head				Cylinder			
8	495736	Breather Assembly				Used on Type No(s). 0525, 0527.			
9	∅★27803	Gasket-Breather	307	94386	Screw-Hex.			231218	
10	94621	Screw-Hex.	308	224897	Cover-Cylinder			Bushing-Guide (Intake)	
11	280112	Tube-Breather	337	492167	Plug-Spark			978	
13	94622	Screw-Hex.			<b>Note</b>			★271736	
		<b>Note</b>			802592	Plug-Spark (Resistor Type)		979	
		94565	347	393242	Switch-Stop			494807	
		Screw-Hex. (2 5/16" Length)	383	89838	Wrench-Spark Plug			982	
		Used on Type No(s). 0525, 0527.						94139	
								1019	
								491254	
								1058	
								270861	
								Owner's Manual	
								Nonemission Engines	

★ Included in Gasket Set-Part No. 492653.  
● Included in Carburetor Kit-Part No. 394989.

∅ Included in Valve Overhaul Gasket Set-Part No. 498537.

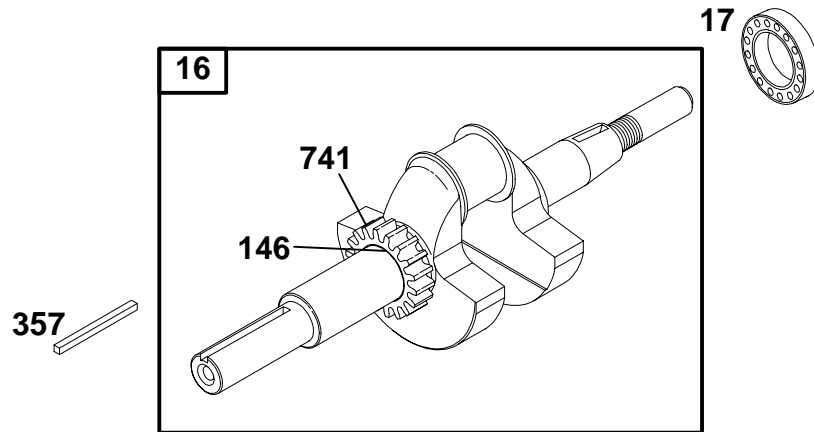


REF. NO.	PART NO.	DESCRIPTION	REF. NO.	PART NO.	DESCRIPTION	REF. NO.	PART NO.	DESCRIPTION
25	394661	Piston Assembly (Standard) <b>Note</b> _____ 394662 Piston Assy. (.010" O.S.) 394663 Piston Assy. (.020" O.S.) 394664 Piston Assy. (.030" O.S.)	27	263129	Lock-Piston Pin	36	26828	Spring-Valve
			28	299691	Pin-Piston (Standard) <b>Note</b> _____ 391286 Pin-Piston (.005" O.S.)	40	221596	Retainer-Valve
						41	292260	Retainer-Valve <b>Note</b> _____ 68293 Retainer-Valve Used on Type No(s). 0575, 5075.
26	391780	Ring Set (Standard) <b>Note</b> _____ 392331 Ring Set (Chrome Standard) 391781 Ring Set (.010" O.S.) 391782 Ring Set (.020" O.S.) 391783 Ring Set (.030" O.S.)	29	490348	Rod-Connecting <b>Note</b> _____ 490469 Rod-Conn (.020" Undersize)	42	494553	Keeper-Valve
			30	222329	Dipper-Connecting Rod	45	262248	Tappet-Valve
			31	222299	Lock-Rod Screw			
			32	92909	Screw-Connecting Rod			
			33	261185	Valve-Exhaust			
			34	261462	Valve-Intake			
			35	65906	Spring-Valve			

★ Included in Gasket Set-Part No. 492653.  
● Included in Carburetor Kit-Part No. 394989.

∅ Included in Valve Overhaul Gasket Set-Part No. 498537.

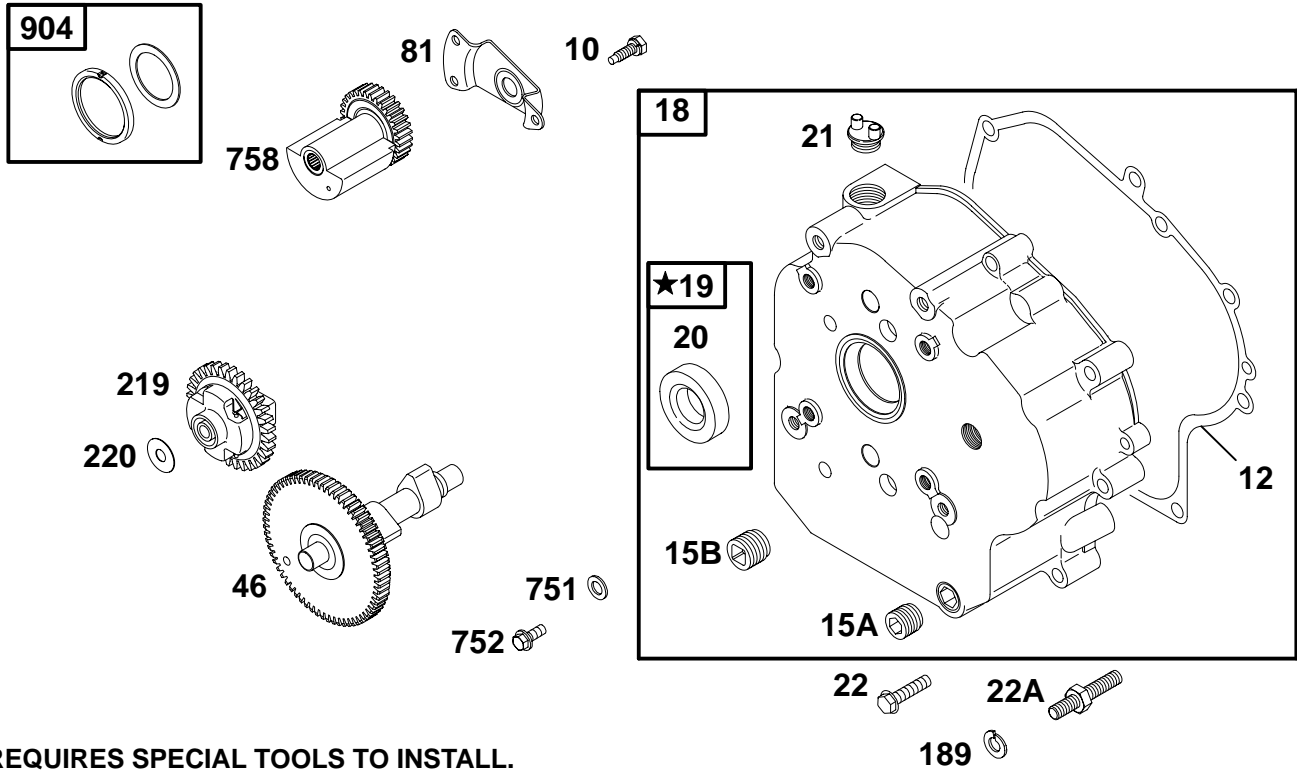
# 254400 to 254499



REF. NO.	PART NO.	DESCRIPTION	REF. NO.	PART NO.	DESCRIPTION	REF. NO.	PART NO.	DESCRIPTION				
16	491644	Crankshaft (Used After Code Date 93021900). ———— <b>Note</b> ———— <b>399725</b> Crankshaft (Used Before Code Date 93021800). <b>399723</b> Crankshaft (Used After Code Date 93021900). Used on Type No(s). 0512, 0517, 0526, 0532, 0535, 1512, 1526, 4022, 4029, 4030. <b>399724</b> Crankshaft (Used Before Code Date 93021800). Used on Type No(s). 0512, 0517, 0526, 0532, 0535, 4022, 4029, 4030.  <b>399729</b> Crankshaft Used on Type No(s). 0534.  <b>491645</b> Crankshaft (Used After Code Date 93021900). Used on Type No(s). 0505, 0510, 0511, 0519, 0520, 0521, 0522, 0523, 0524, 0528, 0529, 0537, 0539, 0540, 0541, 0542, 0544, 0545, 0549, 0550, 0551, 0553, 0558, 0559, 0560, 0562, 0563, 0566, 0567, 0568, 0570, 0572, 0575, 0576, 0577, 0578, 4003, 4004, 4006, 4007, 4010, 4023, 4026, 4032, 4033, 4034, 4035, 4047, 4070, 4071.							<b>0570, 0572, 0575, 0576, 0577, 0578, 1559, 1560, 1572, 1578, 4003, 4004, 4006, 4007, 4010, 4023, 4026, 4032, 4033, 4034, 4035, 4047, 4070, 4071, 5004, 5006, 5007, 5026, 5035, 5047, 5070, 5075. <b>399728</b> Crankshaft (Used Before Code Date 93021800). Used on Type No(s). 0505, 0510, 0511, 0519, 0520, 0521, 0522, 0523, 0524, 0528, 0529, 0537, 0539, 0540, 0541, 0542, 0544, 0545, 0549, 0550, 0551, 0553, 0558, 0559, 0560, 0562, 0563, 0566, 0567, 0568, 0570, 0572, 0575, 0576, 0577, 0578, 4003, 4004, 4006, 4007, 4010, 4023, 4026, 4032, 4033, 4034, 4035, 4047, 4070, 4071.  <b>493729</b> Crankshaft Used on Type No(s). 0548, 4005.</b>			<b>497428</b> Crankshaft Used on Type No(s). 1508.  <b>498991</b> Crankshaft (Used After Code Date 93021900). Used on Type No(s). 0507, 0516, 0569, 0571, 1571, 4013, 4017, 4018, 4019, 4024, 4025, 4027, 4050, 5017, 5019, 5025, 5027. <b>399726</b> Crankshaft (Used Before Code Date 93021800). Used on Type No(s). 0507, 0516, 0569, 0571, 4013, 4017, 4018, 4019, 4024, 4025, 4027, 4050.  <b>498996</b> Crankshaft (Used After Code Date 93021900). Used on Type No(s). 0508. <b>496798</b> Crankshaft (Used Before Code Date 93021800). Used on Type No(s). 0508.
						17	291667	Bearing—Ball				
						146	94196	Key—Timing				
						357	91540	Key—Drive Pulley				
						741	262932	Gear—Timing				
								———— <b>Note</b> ———— <b>262135</b> Gear—Timing (Used Before Code Date 93021800).				

★ Included in Gasket Set—Part No. 492653.  
● Included in Carburetor Kit—Part No. 394989.

∅ Included in Valve Overhaul Gasket Set—Part No. 498537.



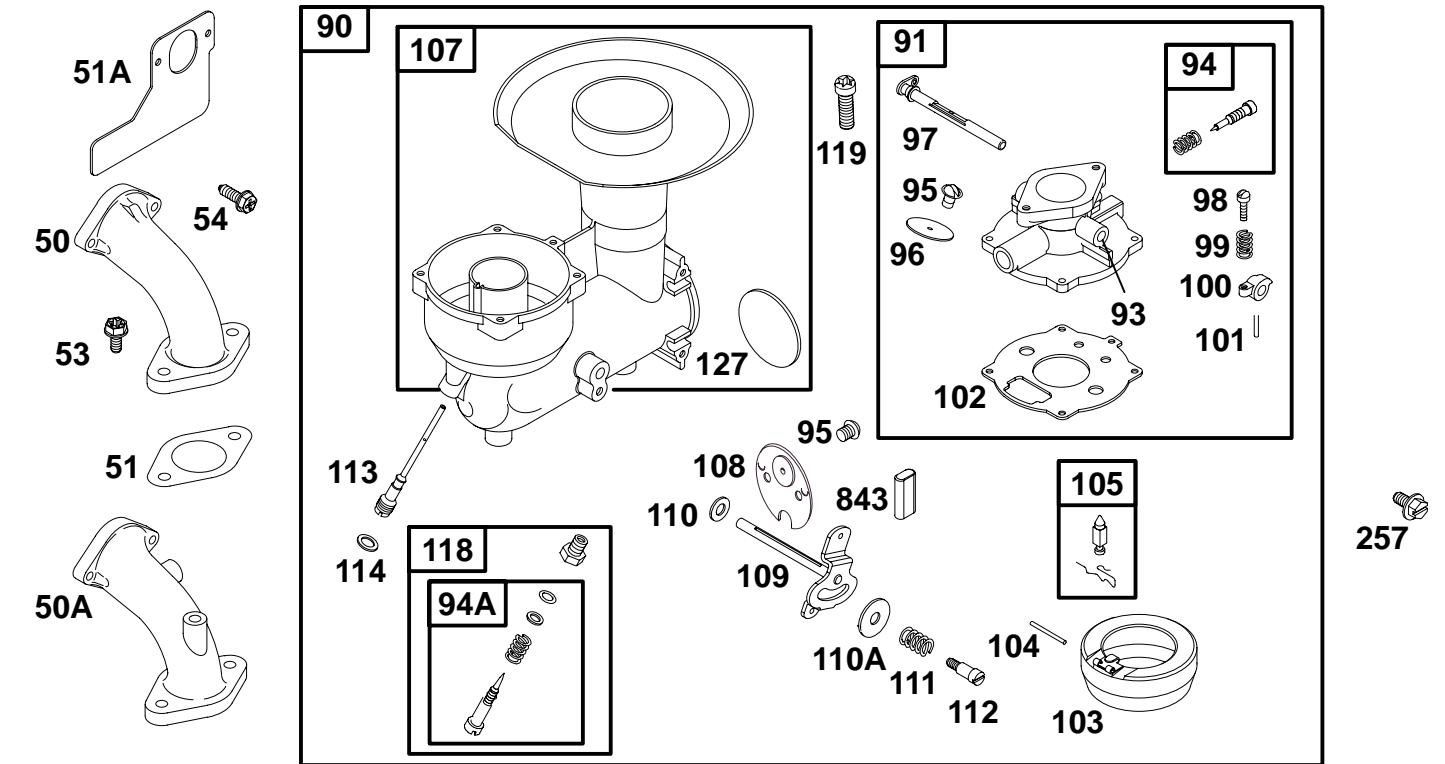
★ **REQUIRES SPECIAL TOOLS TO INSTALL.  
SEE REPAIR INSTRUCTION MANUAL.**

REF. NO.	PART NO.	DESCRIPTION	REF. NO.	PART NO.	DESCRIPTION	REF. NO.	PART NO.	DESCRIPTION
10	94621	Screw-Hex.	19	399264	Bushing	219	494845	Gear-Governor
12	★272125	Gasket-Crankcase (.015" Thick)	20	★291675	Seal-Oil			<b>Note</b>
		<b>Note</b>	21	66768	Plug-Oil Fill			391737 Gear-Gov.
	★272219	Gasket-Crankcase (.005" Thick)	22	93585	Screw-Hex. (6)			(Used Before Code
	★272220	Gasket-Crankcase (.009" Thick)			<b>Note</b>			Date 91061000).
15A	94720	Plug-Oil Drain	22A	94931	Stud-Hex. Drive Used on Type No(s). 0520, 4012, 4032.	220	221551	Washer-Thrust
15B	94387	Plug-Oil Drain (For Ren Hole)	46	212897	Gear-Cam	751	22355	Washer-Fiber
18	496986	Cover-Crankcase	81	222407	Retainer-Counterweight	752	93554	Plug
		<b>Note</b>	189	90366	Washer-Lock Used on Type No(s). 0520, 4012, 4032.	758	491787	Counterweight
	496985	Cover-Crankcase Used on Type No(s). 0544, 0545, 0549, 0550, 0563, 0576, 0577, 0578, 1578, 5015, 5070.				904	492665	Bearing-Needle

★ Included in Gasket Set-Part No. 492653.  
● Included in Carburetor Kit-Part No. 394989.

∅ Included in Valve Overhaul Gasket Set-Part No. 498537.

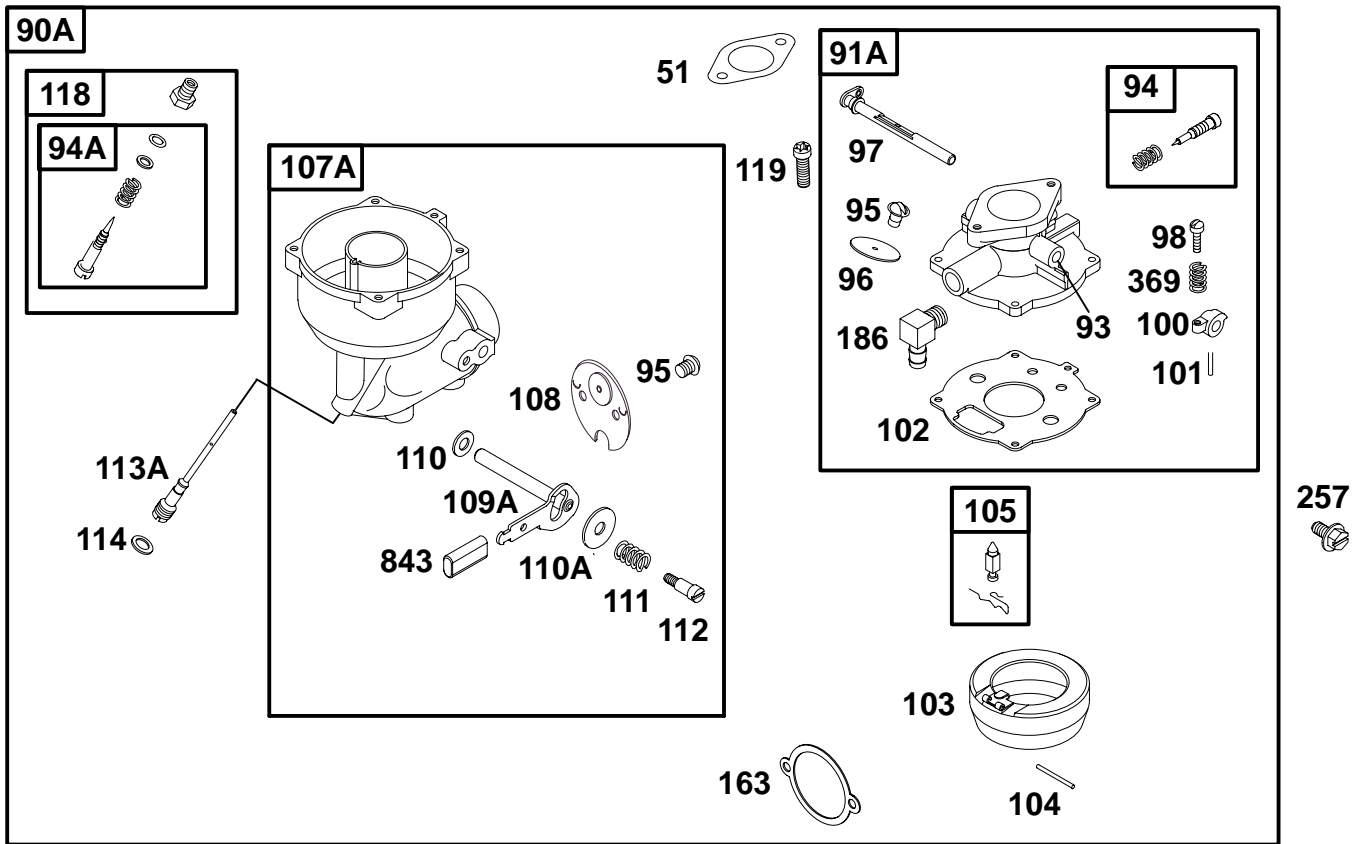
# 254400 to 254499



REF. NO.	PART NO.	DESCRIPTION	REF. NO.	PART NO.	DESCRIPTION	REF. NO.	PART NO.	DESCRIPTION
50	212301	Manifold-Intake	91	391833	Body Assembly-Upper	105	●394681	Valve-Needle
50A	213208	Manifold-Intake			<b>Note</b>			<b>Note</b>
51	★●270267	Gasket-Intake			392032 Body Assy.-Upper			394682 Valve-Needle
51A	★●498869	Gasket-Carburetor Mounting			Used on Type No(s). 0507, 0516, 0543, 0546, 0552, 0568, 0569, 0571, 4017, 4050, 5015, 5017, 5070.			Includes Brass Seat
53	94616	Screw-Torx® Hex.	93	23108	Bushing-Throttle Shaft			394683 Valve-Needle
54	93208	Screw-Phillips	94	●292681	Valve-Idle Adjust			For Fuel Pump Applications
90	392587	Carburetor (Manual Choke)	94A	394033	Valve-Idle Adjust	107	391829	Body Assy.-Lower
		<b>Note</b>	95	93499	Screw-Choke Throttle	108	391836	Valve-Choke
		391831 Carburetor	96	221939	Valve-Throttle	109	391583	Shaft-Choke
		Used on Type No(s). 0535, 4012, 4022, 5012.	97	391596	Shaft-Throttle			<b>Note</b>
		392033 Carburetor	98	91920	Screw-Slotted			396699 Shaft-Choke
		Used on Type No(s). 0507, 0516, 0543, 0546, 0552, 0568, 0569, 0571, 1571, 4017, 4050, 5015, 5017, 5070.	99	26157	Spring-Friction			Used on Type No(s). 0535, 4012, 4022, 5012.
			100	212904	Stop-Throttle	110	222712	Washer
			101	93043	Pin-Throttle Lever	110A	224026	Washer
			102	●270268	Gasket-Carburetor Body	111	26155	Spring-Friction
			103	298514	Float-Carburetor	112	23123	Screw-Shoulder
			104	●230896	Pin-Float Hinge	113	●394730	Nozzle-Carburetor
						114	●68667	Gasket-Nozzle
						118	●99525	Valve-Hi Speed
						119	94152	Screw-Torx®Hex.
						127	●221747	Plug-Welch
						257	93543	Screw-Hex.
						843	280149	Sleeve-Lever

★ Included in Gasket Set-Part No. 492653.  
● Included in Carburetor Kit-Part No. 394989.

∅ Included in Valve Overhaul Gasket Set-Part No. 498537.

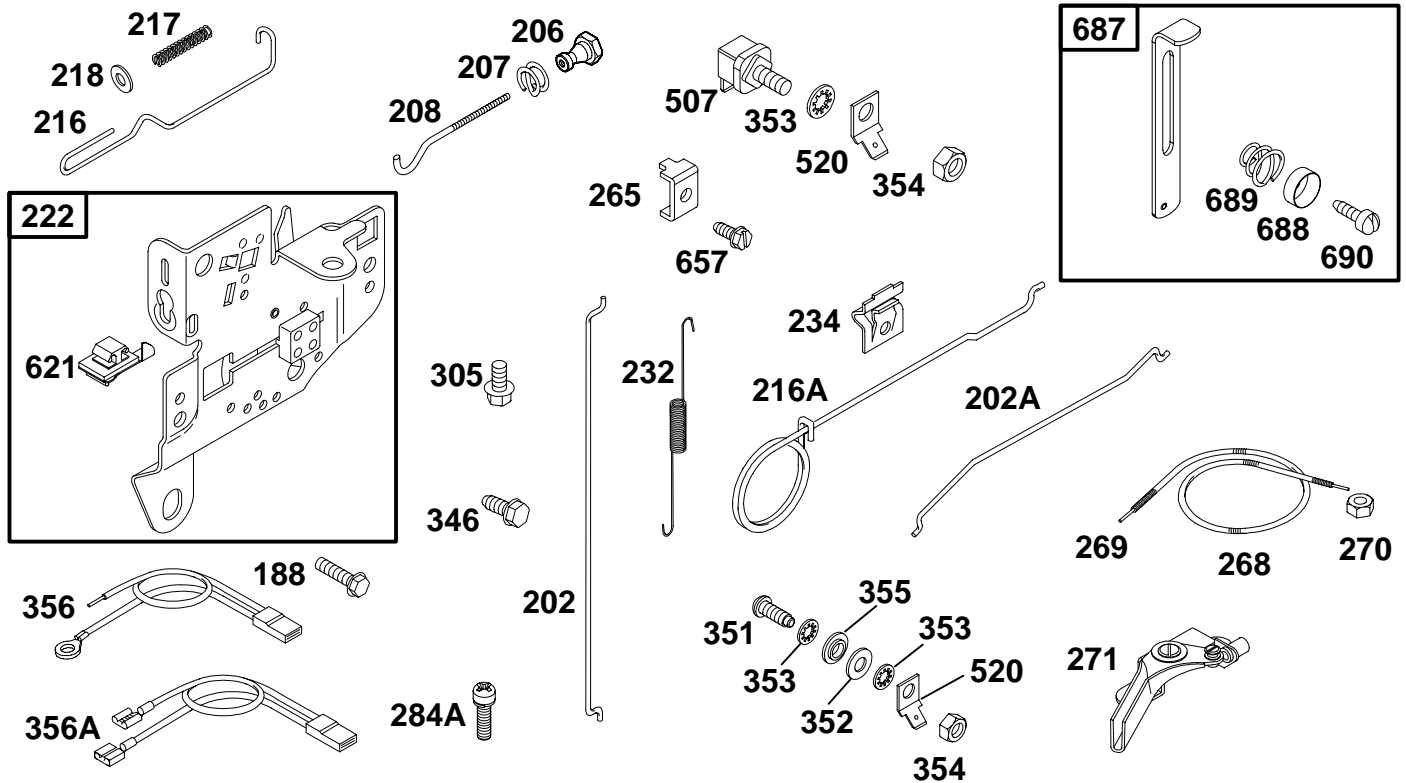


REF. NO.	PART NO.	DESCRIPTION	REF. NO.	PART NO.	DESCRIPTION	REF. NO.	PART NO.	DESCRIPTION	
51	★●270267	Gasket-Intake	103	298514	Float-Carburetor	110A	224026	Washer	
90A	491525	Carburetor	104	●230896	Pin-Float Hinge	111	26155	Spring-Friction	
91A	491527	Body Assembly-Upper	105	●394681	Valve-Needle	112	23123	Screw-Shoulder	
93	23108	Bushing-Throttle Shaft			<b>Note</b>	113A	490493	Nozzle-Carburetor	
94	●292681	Valve-Idle Adjust			394682	Valve-Needle	114	●68667	Gasket-Nozzle
94A	394033	Valve-Idle Adjust				Includes Brass Seat	118	●99525	Valve-High Speed
95	93499	Screw-Choke Throttle			394683	Valve-Needle	119	94152	Screw-Torx®Hex.
96	221939	Valve-Throttle				For Fuel Pump	163	271910	Gasket-Air Cleaner
97	391596	Shaft-Throttle				Applications	186	67218	Connector-Hose
98	91920	Screw-Slotted	107A	490422	Body Assembly-Lower	257	93543	Screw-Hex.	
100	212904	Stop-Throttle	108	391836	Valve-Choke	369	26157	Spring-Friction	
101	93043	Pin-Shaft	109A	490068	Shaft-Choke	843	280149	Sleeve-Lever	
102	●270268	Gasket-Carburetor Body	110	222712	Washer				

★ Included in Gasket Set-Part No. 492653.  
 ● Included in Carburetor Kit-Part No. 394989.

∅ Included in Valve Overhaul Gasket Set-Part No. 498537.

# 254400 to 254499

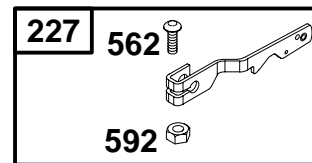
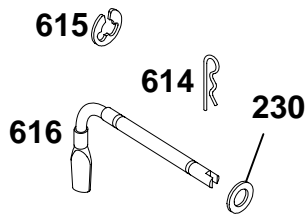
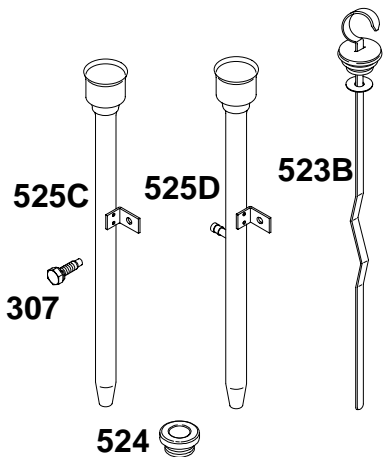
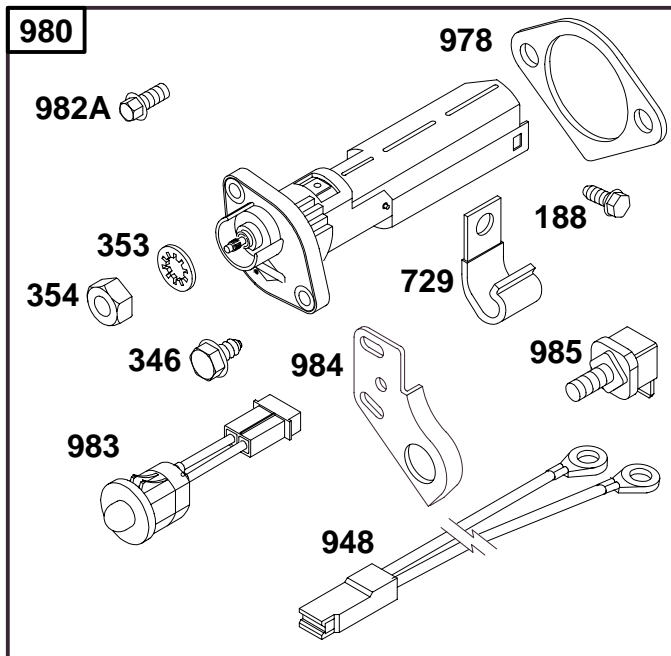
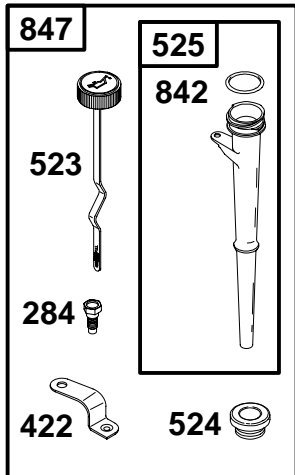
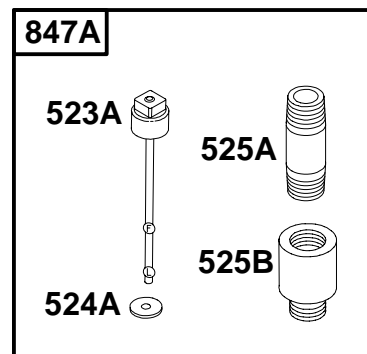


REF. NO.	PART NO.	DESCRIPTION	REF. NO.	PART NO.	DESCRIPTION	REF. NO.	PART NO.	DESCRIPTION
188	94627	Screw-Hex.	207	26855	Spring-Control Rod	269	26633	Wire-Control (78" Long Cut to Required Length)
202	261236	Link-Mechanical Governor	208	261959	Rod-Governor Control	270	63426	Locknut-Casing
		<b>Note</b>	216	262027	Link-Choke	271	290568	Lever-Control
		260478 Spring-Link	216A	261511	Rod-Choke	284A	94271	Screw-Phillips
		Used on Type No(s).	217	261119	Spring-Link	305	94786	Screw-Hex.
		0505, 0510, 0511,	218	222352	Washer	346	93705	Screw-Hex.
		0516, 0519, 0520,	222	399152	Bracket-Control (Manual Choke)	351	93735	Screw-Slotted
		0521, 0522, 0523,			<b>Note</b>	352	66068	Washer-Fiber
		0524, 0534, 0536,			399153 Bracket-Control	353	92791	Washer-Lock
		0537, 0539, 0540,			(Choke A Matic®)	354	90576	Nut-Hex.
		0541, 0542, 0544,			Used on Type No(s).	355	66554	Washer-Fiber
		0545, 0548, 0558,			0535, 4012, 4022.	356	398808	Wire-Stop
		0559, 0560, 0562,			490386 Bracket-Control	356A	491391	Wire-Stop
		0563, 0566, 0567,			Used on Type No(s).	507	398525	Insulator
		0568, 0570, 0572,			0528, 0529, 0551.	520	93722	Terminal
		0575, 0576, 0577,				621	396847	Switch-Stop
		0578, 4003, 4004,	232	260478	Spring-Link	657	93496	Screw-Slotted Hex.
		4006, 4007, 4010,			Used on Type No(s).	687	390701	Slide-Control
		4023, 4026, 4032,			0528, 0529.	688	221766	Cap-Spring
		4033, 4034, 4035,	234	221372	Clip-Rod	689	260847	Spring-Friction
		4047, 4070, 4071.	265	221535	Clamp-Casing	690	90746	Screw-Slotted
202A	262307	Link-Mechanical Governor	268	65616	Casing-Wire (72" Long Cut to Required Length)			
		Used on Type No(s).						
		0528, 0529.						
206	231266	Nut						

★ Included in Gasket Set-Part No. 492653.  
 ● Included in Carburetor Kit-Part No. 394989.

∅ Included in Valve Overhaul Gasket Set-Part No. 498537.



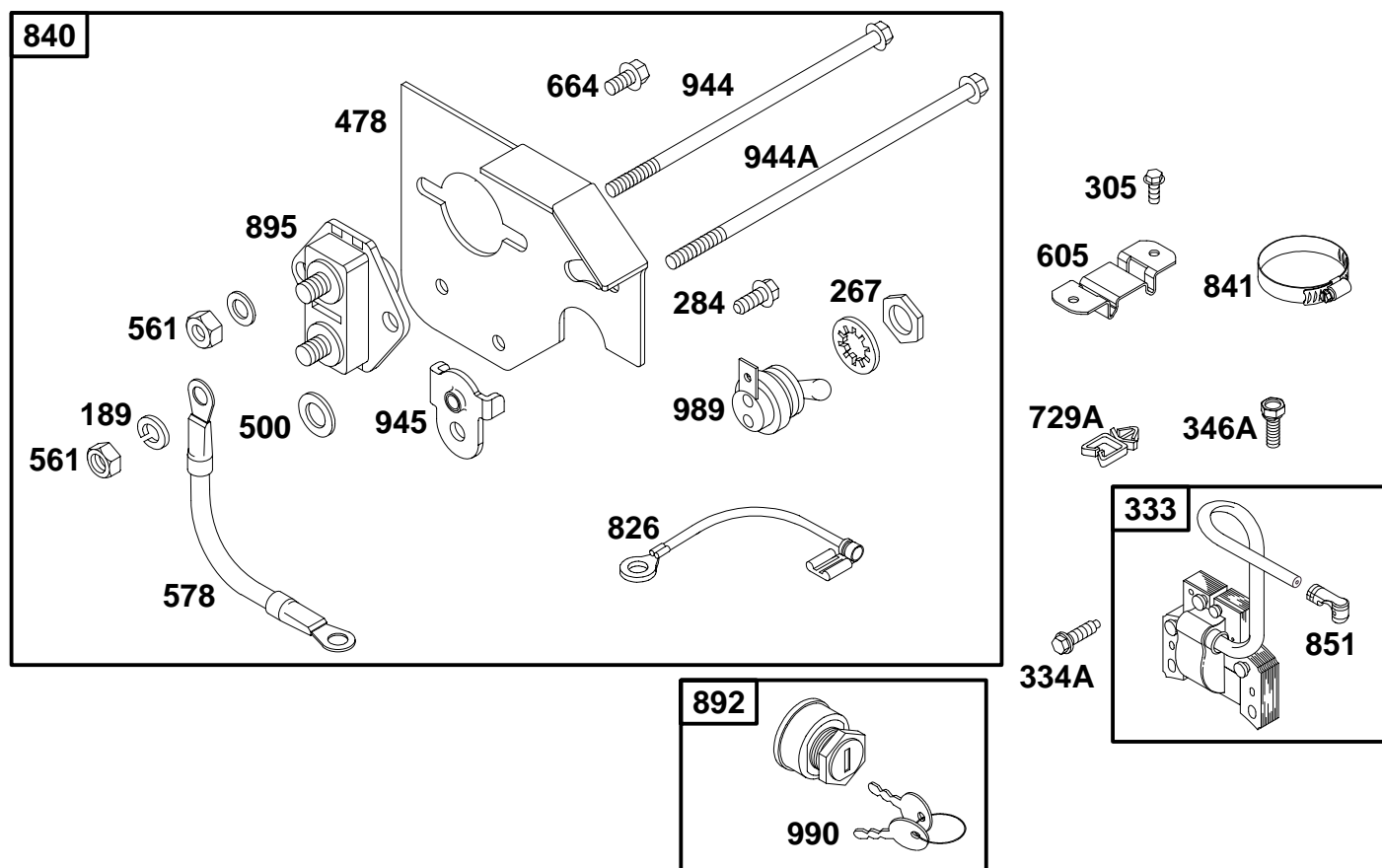


REF. NO.	PART NO.	DESCRIPTION	REF. NO.	PART NO.	DESCRIPTION	REF. NO.	PART NO.	DESCRIPTION
188	94627	Screw—Hex.			1572, 1578, 4003,	525A	91258	Tube—Oil Fill
209	260695	Spring—Governor			4004, 4006, 4007,	525B	394884	Adapter—Oil Fill
		<b>Note</b>			4010, 4012, 4023,	525C	496517	Tube—Oil Fill
		261129 Spring—Gov.			4026, 4032, 4033,	525D	491871	Tube—Oil Fill
		Used on Type No(s).			4034, 4035, 4036,			(For Fuel Pump
		0525, 0527, 0536.			4044, 4047, 4050,			Applications)
		261306 Spring—Gov.			4070, 4071, 5004,	562	92613	Bolt—Governor Lever
		Used on Type No(s).			5006, 5007, 5012,	592	231082	Nut—Hex.
		0505, 0508, 0510,			5026, 5035, 5036,	614	93306	Pin—Cotter
		0511, 0512, 0517,			5047, 5070, 5075.	615	93307	Retainer
		0519, 0520, 0521,	227	396775	Lever—Governor	616	231057	Crank—Governor
		0522, 0523, 0524,	230	94742	Washer—Flat	729	223528	Clip—Wire
		0526, 0528, 0529,	284	93886	Screw—Shoulder	842	271170	Seal—O—Ring
		0532, 0534, 0535,	307	94623	Screw—Hex.	847	497459	Dipstick/Tube
		0537, 0538, 0539,	346	93705	Screw—Hex.			Assembly
		0540, 0541, 0542,	353	92791	Washer—Lock	847A	493955	Dipstick/Tube
		0544, 0545, 0546,	354	90576	Nut—Hex.			Assembly
		0548, 0549, 0550,	422	225110	Bracket—Oil Fill	948	398661	Harness—Wiring
		0551, 0553, 0558,	523	497213	Dipstick	978	★271736	Gasket
		0559, 0560, 0562,	523A	297357	Dipstick	980	398182	Kit—OIL GARD®
		0563, 0566, 0567,	523B	490665	Dipstick	982A	94657	Screw—Hex.
		0568, 0570, 0572,	524	★281370	Seal—Fill Tube	983	398660	Light—Indicator
		0575, 0576, 0577,	524A	★65304	Gasket—Dipstick	984	223773	Bracket—Stop Switch
		0578, 1508, 1512,	525	495347	Tube—Oil Fill	985	398525	Insulator
		1526, 1559, 1560,						

★ Included in Gasket Set—Part No. 492653.  
● Included in Carburetor Kit—Part No. 394989.

∅ Included in Valve Overhaul Gasket Set—Part No. 498537.

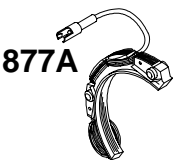



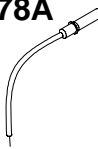
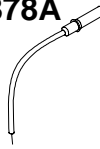
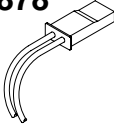
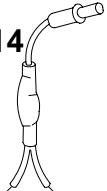
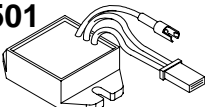

# 254400 to 254499



REF. NO.	PART NO.	DESCRIPTION	REF. NO.	PART NO.	DESCRIPTION	REF. NO.	PART NO.	DESCRIPTION
189	90366	Washer-Lock	578	392683	Wire Assembly	841	393514	Clamp
267	93888	Nut-Hex.	605	222934	Bracket-Mounting	851	493880	Terminal-Cable
284	94602	Screw-Hex.	664	93415	Screw-Hex.	892	392833	Key Switch
305	94786	Screw-Hex.	729A	280590	Clip-Wire	895	299139	Switch-Starting
333	398811	Armature-Magneto	826	397674	Harness-Wiring	944	94003	Screw-Hex.
334A	94731	Screw-Hex.	840	395408	Kit-Panel	944A	94169	Screw-Hex.
346A	93587	Screw-Hex.			<b>Note</b>	945	223159	Bracket-Motor
478	395410	Panel			395409 Kit-Panel	989	496590	Switch-Stop
500	91325	Washer			(Key)	990	392832	Key Set-Starter Switch
561	92278	Nut-Hex.						

★ Included in Gasket Set-Part No. 492653.  
 ● Included in Carburetor Kit-Part No. 394989.

∅ Included in Valve Overhaul Gasket Set-Part No. 498537.

DUAL CIRCUIT/FUSE	DC ONLY	10 AMP	DUAL CIRCUIT	TRI-CIRCUIT
SEE FLYWHEEL ASSEMBLY	SEE FLYWHEEL ASSEMBLY	SEE FLYWHEEL ASSEMBLY	SEE FLYWHEEL ASSEMBLY	SEE FLYWHEEL ASSEMBLY
	474 	474A 	474B 	474C 
	878A 	878A 	878 	814 
			501  305 	

NOTE: ALL STATORS USE NO. 482 MOUNTING SCREW. 

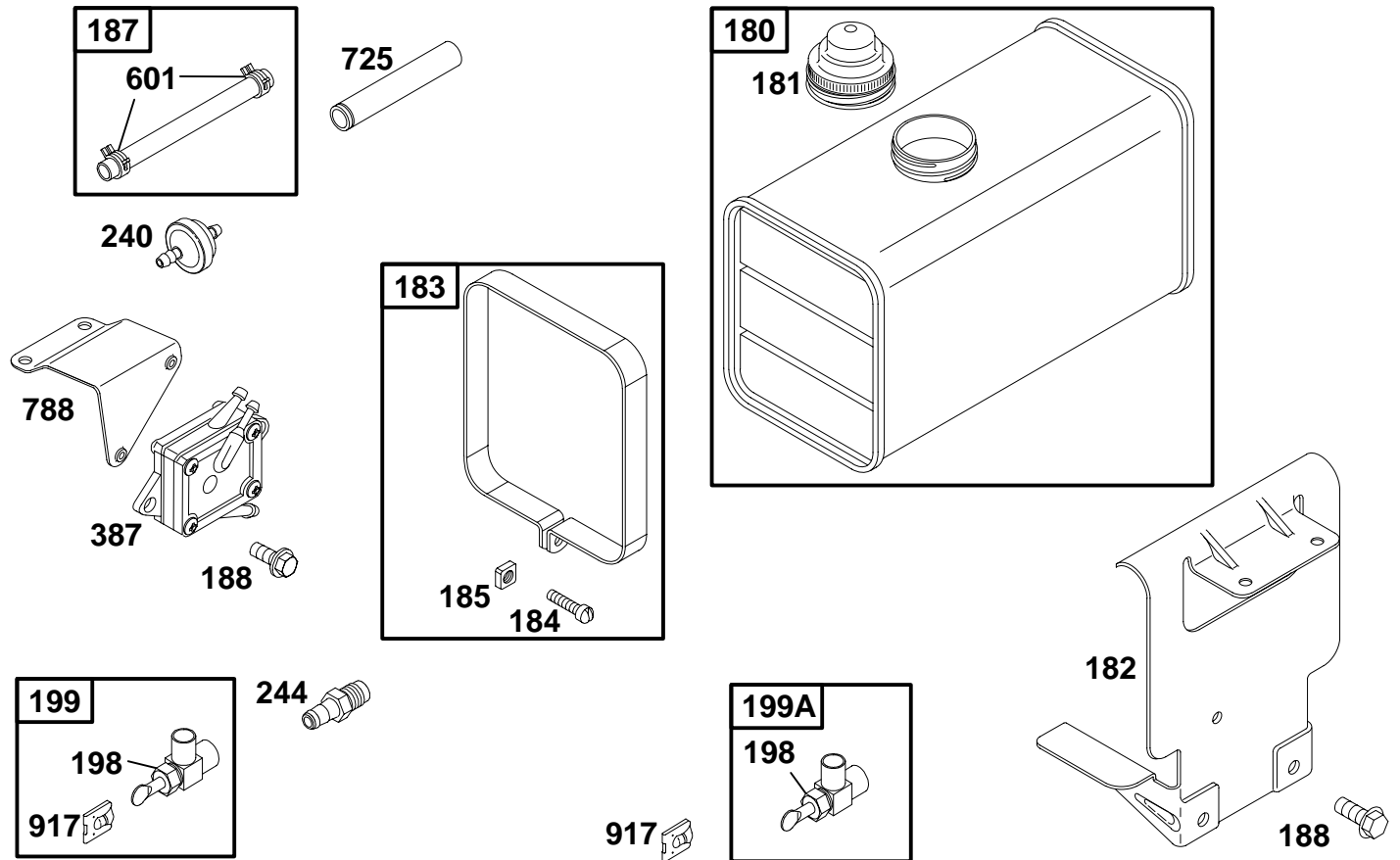
1054A 

REF. NO.	PART NO.	DESCRIPTION	REF. NO.	PART NO.	DESCRIPTION	REF. NO.	PART NO.	DESCRIPTION
305	94786	Screw-Hex.	482	93621	Screw-Hex.	877B	393537	Wire-Alternator
474	391529	Alternator	501	394890	Regulator	878	393362	Harness-Alternator
474A	393295	Alternator	814	392606	Harness-Alternator	878A	393422	Harness-Alternator
474B	393474	Alternator	877	393456	Wire-Alternator	1054A	280275	Tie-Cable
474C	392595	Alternator	877A	393814	Wire-Alternator			

★ Included in Gasket Set-Part No. 492653.  
● Included in Carburetor Kit-Part No. 394989.

∅ Included in Valve Overhaul Gasket Set-Part No. 498537.

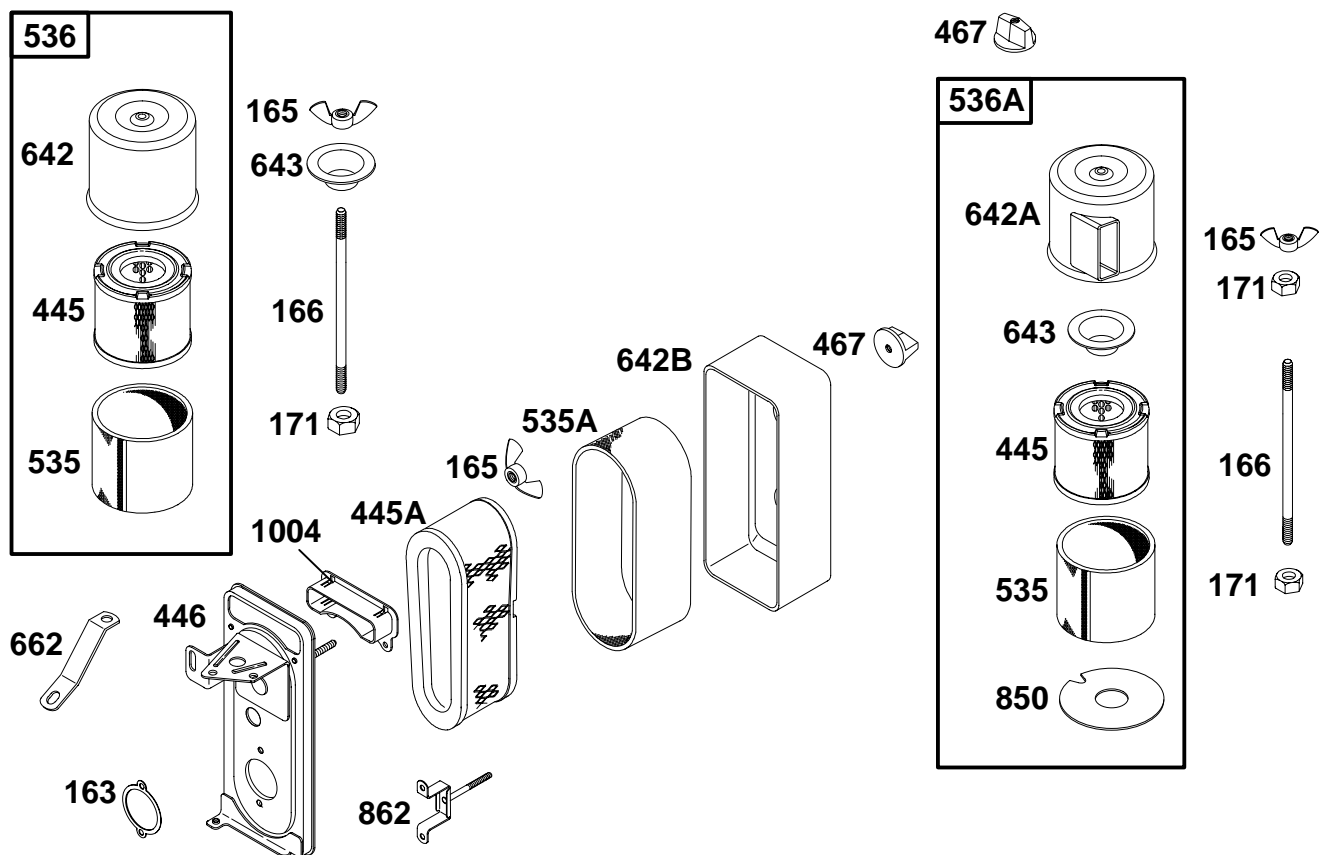
# 254400 to 254499



REF. NO.	PART NO.	DESCRIPTION	REF. NO.	PART NO.	DESCRIPTION	REF. NO.	PART NO.	DESCRIPTION
180	291488	Tank-Fuel (6 Quart) <b>Note</b> _____ 290816 Tank-Fuel (4 Quart) Used on Type No(s). 0525, 0527.	183	291490	Strap-Fuel Tank <b>Note</b> _____ 291367 Strap-Fuel Tank (4 Quart) Used on Type No(s). 0525, 0527.	244	230318	Connector-Hose
181	392305	Cap-Fuel Tank <b>Note</b> _____ 297866 Cap-Fuel Tank Used on Type No(s). 0531.	184	91257	Screw-Slotted	387	491922	Pump-Fuel
182	224878	Bracket-Fuel Tank <b>Note</b> _____ 222333 Bracket-Fuel Tank (4 Quart) Used on Type No(s). 0525, 0527.	185	90970	Nut	601	93053	Clamp-Hose
			187	296004	Line-Fuel (Cut to Required Length)	725	222175	Shield-Heat (Metal) <b>Note</b> _____ 280866 Shield-Heat (Foam)
			188	94627	Screw-Hex.	788	224123	Bracket-Pump
			198	293934	Screw-Shut-Off	917	223271	Handle-Shut-Off Valve
			199	492649	Valve-Shut-Off			
			199A	297563	Valve-Shut-Off			
			240	298090	Filter-Fuel <b>Note</b> _____ 394358 Filter-Fuel (Used on Fuel Pump Applications)			

★ Included in Gasket Set-Part No. 492653.  
● Included in Carburetor Kit-Part No. 394989.

∅ Included in Valve Overhaul Gasket Set-Part No. 498537.

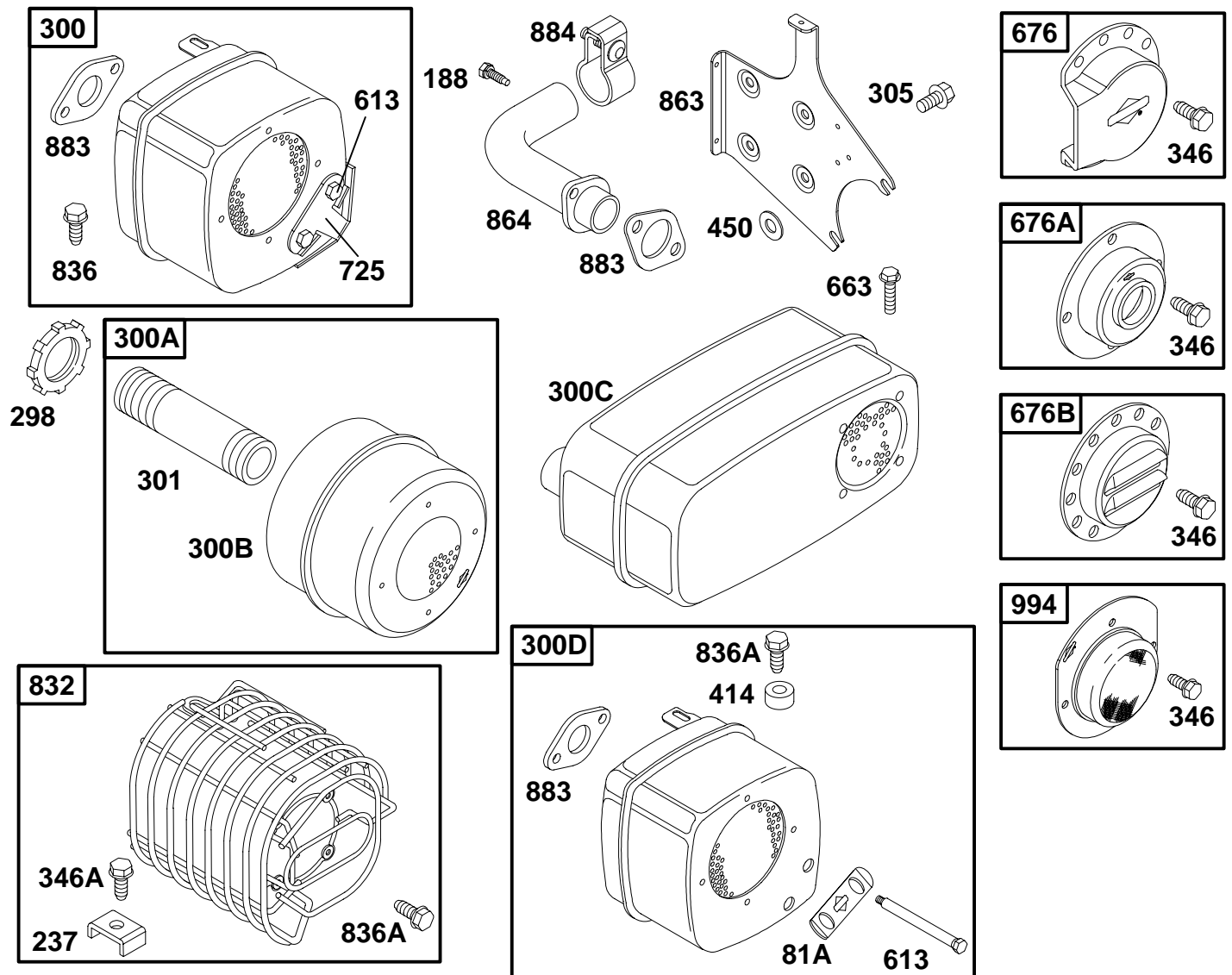


REF. NO.	PART NO.	DESCRIPTION	REF. NO.	PART NO.	DESCRIPTION	REF. NO.	PART NO.	DESCRIPTION
163	271910	Gasket–Air Cleaner	467	493903	Nut–Air Cleaner	642B	223751	Cover–Air Cleaner
165	94289	Nut–Wing	535	271794	Filter–Air	643	222272	Retainer–Air Filter
166	231727	Stud–Air Cleaner	535A	271939	Filter–Air	662	223820	Strap
171	92129	Nut–Hex.	536	391063	Cleaner–Air	850	★271793	Seal–Base
445	393957	Filter–Air	536A	399810	Cleaner–Air	862	490431	Strap–Cleaner Mounting
445A	399968	Filter–Air	642	224885	Cover–Air Cleaner	1004	280718	Duct–Air
446	490430	Base–Air Cleaner	642A	496093	Cover–Air Cleaner			

★ Included in Gasket Set–Part No. 492653.  
 ● Included in Carburetor Kit–Part No. 394989.

∅ Included in Valve Overhaul Gasket Set–Part No. 498537.

# 254400 to 254499



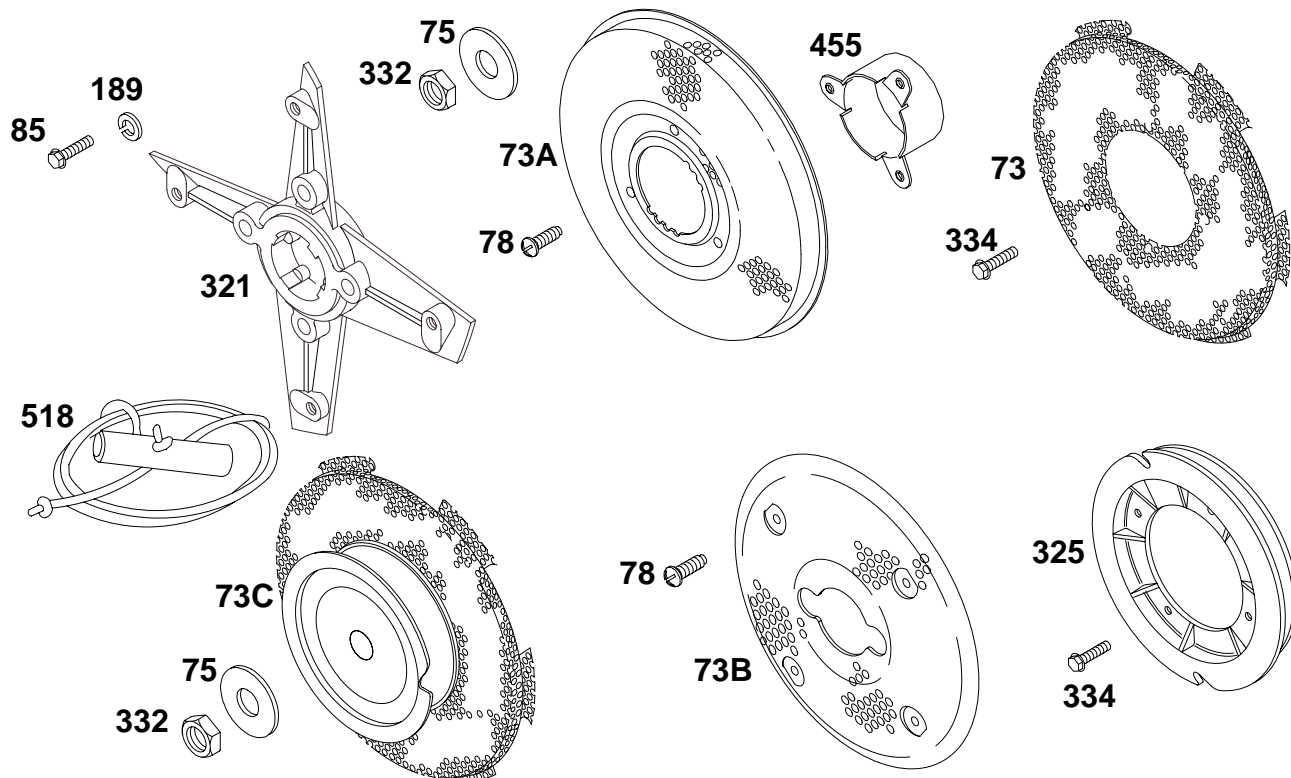
REF. NO.	PART NO.	DESCRIPTION	REF. NO.	PART NO.	DESCRIPTION	REF. NO.	PART NO.	DESCRIPTION
81A	223016	Lock-Muffler Screw	300D	491626	Muffler-Exhaust	725	223023	Shield-Heat
188	94627	Screw-Hex.	301	93768	Pipe-Muffler	832	398249	Guard-Muffler
237	222379	Retainer-Guard	305	94786	Screw-Hex.	836	94513	Screw-Hex.
298	261564	Locknut-Muffler	346	93705	Screw-Hex.	836A	94186	Screw-Hex.
300	491413	Muffler-Exhaust	346A	93587	Screw-Hex.	863	224560	Bracket-Muffler
300A	391569	Muffler-Exhaust	414	231109	Spacer	864	494447	Pipe-Exhaust
300B	392989	Muffler-Exhaust	450	93852	Washer	883	272293	Gasket-Exhaust
300C	498984	Muffler-Exhaust	613	93927	Screw-Shoulder	884	392649	Clamp
		<b>Note</b>	663	93343	Screw-Hex.	994	392390	Arrester-Spark
		493963 Muffler-Exhaust (Used Before Code Date 97012400).	676	393761	Deflector-Muffler			
			676A	396903	Deflector-Muffler			
			676B	397630	Deflector-Muffler			

★ Included in Gasket Set-Part No. 492653.  
● Included in Carburetor Kit-Part No. 394989.

∅ Included in Valve Overhaul Gasket Set-Part No. 498537.



# 254400 to 254499

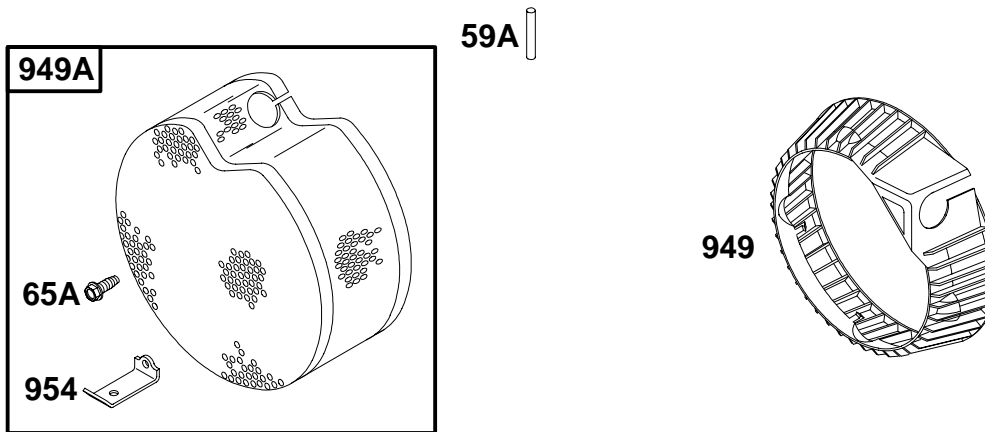
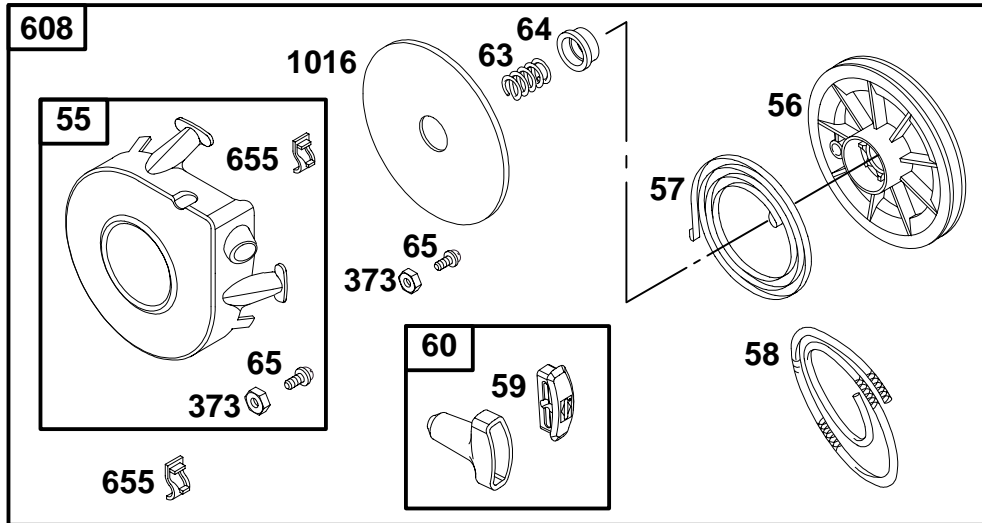


REF. NO.	PART NO.	DESCRIPTION	REF. NO.	PART NO.	DESCRIPTION	REF. NO.	PART NO.	DESCRIPTION
73	221796	Screen-Rotating	78	94626	Screw-Phillips	332	92284	Nut-Flywheel
73A	224517	Screen-Rotating	85	91386	Screw-Hex.	334	94928	Screw-Shoulder
73B	222754	Screen-Rotating	189	90366	Washer-Lock	455	222561	Cup-Flywheel
73C	496084	Screen-Rotating	321	212159	Fan-Booster	518	69932	Rope-Starter
75	224061	Washer	325	280457	Pulley-Starter			

★ Included in Gasket Set-Part No. 492653.  
 ● Included in Carburetor Kit-Part No. 394989.

∅ Included in Valve Overhaul Gasket Set-Part No. 498537.



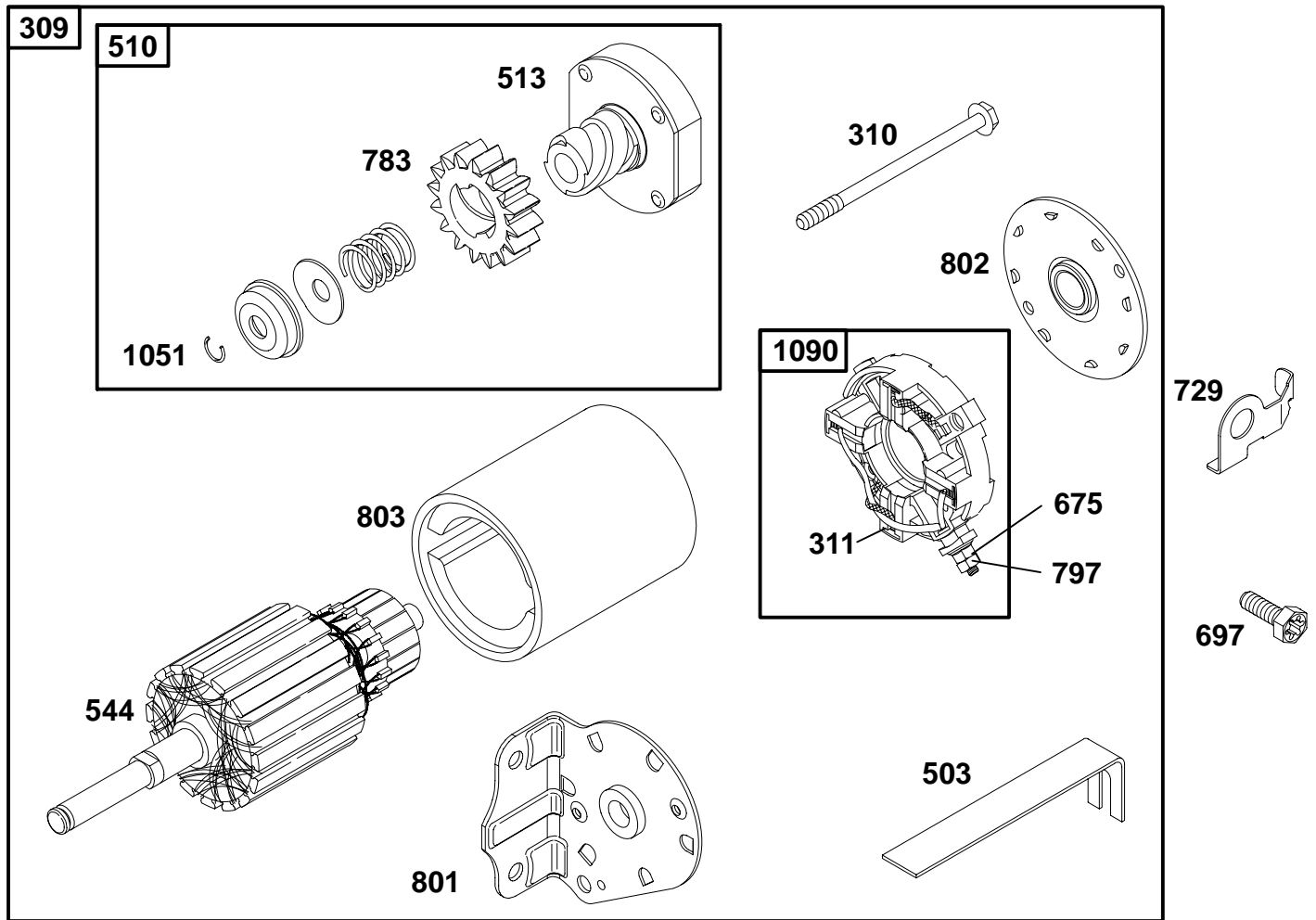


REF. NO.	PART NO.	DESCRIPTION	REF. NO.	PART NO.	DESCRIPTION	REF. NO.	PART NO.	DESCRIPTION
55	393576	Housing-Rewind Starter	59	490653	Insert-Grip	373	92987	Nut-Hex.
56	295871	Pulley-Starter (Includes 63" Rope)	59A	230228	Pin-Starter Grip	608	390391	Starter-Rewind
57	490179	Spring-Rewind Starter	60	490652	Grip-Starter Rope	655	222598	Anchor-Spring
58	66894	Rope-Starter (63" Long)	63	260414	Spring-Ratchet	949	280685	Guard-Rewind
			64	281204	Adapter-Spring	949A	397530	Screen-Debris
			65	94683	Screw-Hex.	954	223379	Bracket-Mounting
			65A	94018	Screw-Hex.	1016	490817	Spacer

★ Included in Gasket Set-Part No. 492653.  
 ● Included in Carburetor Kit-Part No. 394989.

∅ Included in Valve Overhaul Gasket Set-Part No. 498537.

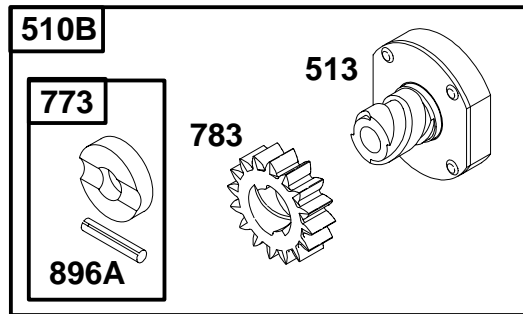
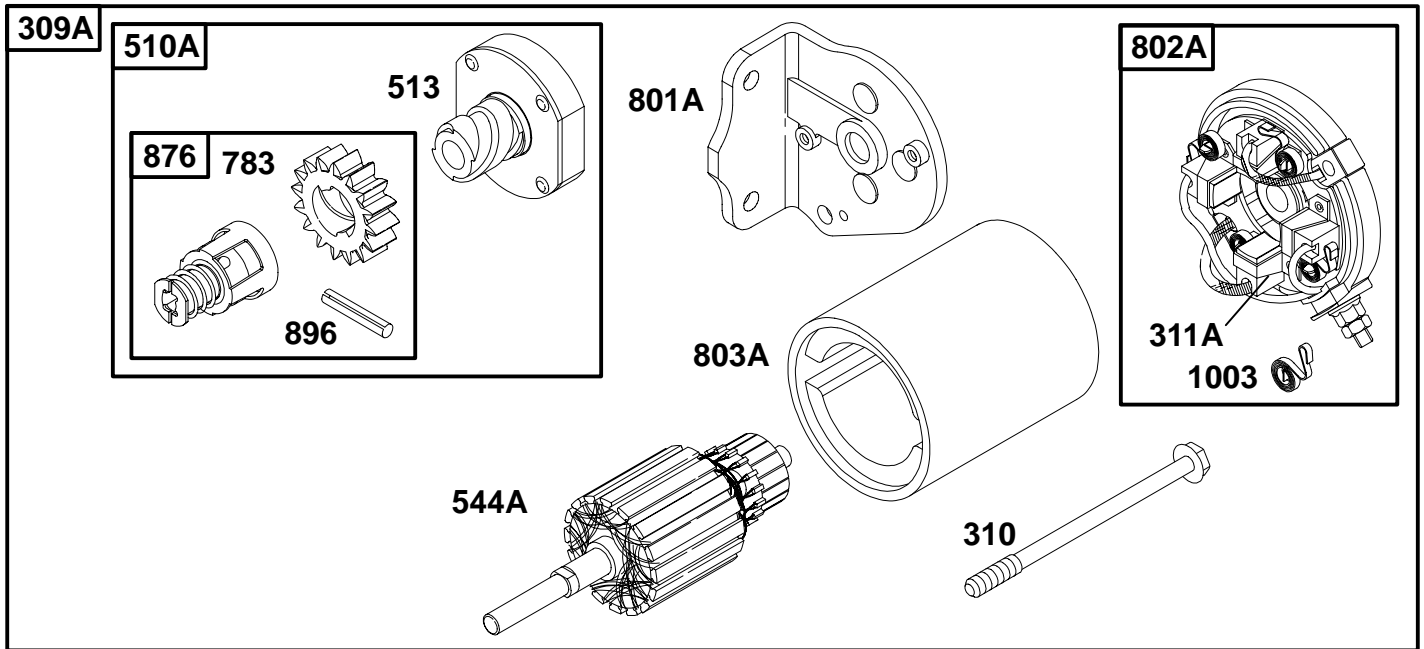
# 254400 to 254499



REF. NO.	PART NO.	DESCRIPTION	REF. NO.	PART NO.	DESCRIPTION	REF. NO.	PART NO.	DESCRIPTION
309	693054	Motor-Starter (3 5/8" Housing Lgth.)	311	497608	Brush Set	783	693059	Gear-Starter
		<b>Note</b>	503	806000	Strap-Starter	797	92278	Nut (Starter Terminal)
		499521 Motor-Starter (4 3/8" Housing Lgth.)	510	497606	Drive-Starter	801	497626	Cap-Drive
310	94003	Bolt (Starter Motor) (For 3 5/8" Housing Length)	513	398003	Clutch-Drive	802	497607	Cap-End
		<b>Note</b>	544	497603	Armature-Starter (3 5/8" Housing Length)	803	497604	Housing-Starter (3 5/8" Housing Length)
		95035 Bolt (Starter Motor) (For 4 3/8" Housing Length)	675	225137	Washer (Starter Motor)	1051	263080	Ring-Retaining
			697	94773	Screw (Starter Motor Mounting)	1090	497605	Retainer-Brush
			729	225170	Clip-Wire			

★ Included in Gasket Set-Part No. 492653.  
● Included in Carburetor Kit-Part No. 394989.

∅ Included in Valve Overhaul Gasket Set-Part No. 498537.

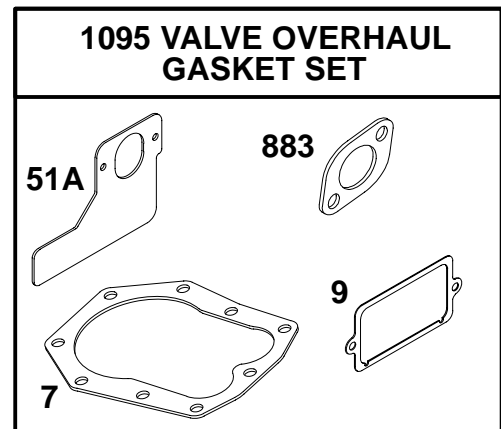
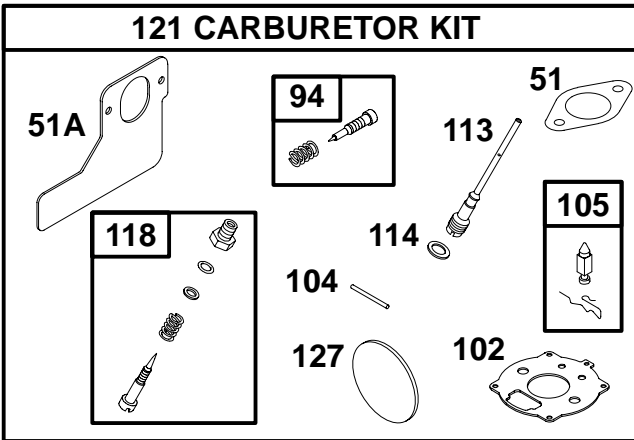
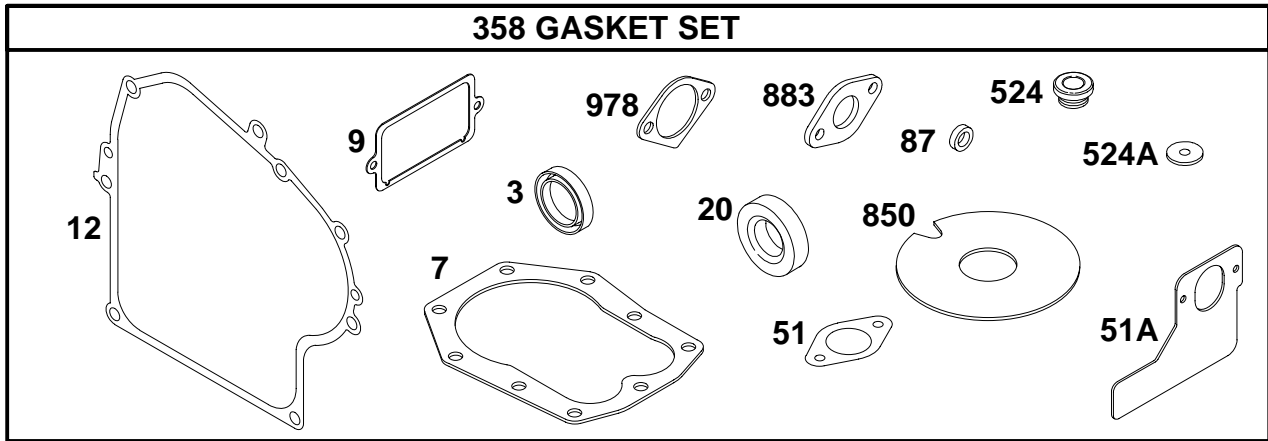


REF. NO.	PART NO.	DESCRIPTION	REF. NO.	PART NO.	DESCRIPTION	REF. NO.	PART NO.	DESCRIPTION
<b>309A</b>		<b>For Replacement Starter Motor, See Ref 309, Previous Page.</b>	<b>544A</b>	<b>390837</b>	Armature-Starter (Hsg. Length 3 5/8") ———— <b>Note</b> ———— <b>490309</b> Armature-Starter (Hsg. Length 4 9/16" And 4 3/8")	<b>803A</b>	<b>398159</b>	Housing-Starter (Hsg. Length 3 5/8") ———— <b>Note</b> ———— <b>398892</b> Hsg.-Starter (Hsg. Length 4 9/16") <b>494205</b> Hsg.-Starter (Hsg. Length 4 3/8")
<b>310A</b>	<b>94003</b>	Screw-Hex. (Length 3 5/8") ———— <b>Note</b> ———— <b>95035</b> Bolt (Starter Motor) (For 4 3/8" Housing Length)	<b>697</b>	<b>94627</b>	Screw (Starter Motor Mounting)	<b>876</b>	<b>495877</b>	Kit-Gear
<b>311A</b>	<b>395538</b>	Brush Set (Hsg. Length 3 5/8") ———— <b>Note</b> ———— <b>490311</b> Brush Set (Hsg. Length 4 9/16") <b>492020</b> Brush Set (Hsg. Length 3 15/32")	<b>773</b>	<b>391462</b>	Retainer-Clutch	<b>896</b>	<b>94288</b>	Pin-Drive Retainer (Copper)
<b>510A</b>	<b>495878</b>	Drive-Starter	<b>783</b>	<b>693059</b>	Gear-Starter	<b>896A</b>	<b>94192</b>	Pin-Drive Retainer (Black)
<b>510B</b>	<b>391461</b>	Drive-Starter	<b>801A</b>	<b>394856</b>	Cap-Drive	<b>1003</b>	<b>490316</b>	Spring-Brush (Hsg. Length 4 9/16")
<b>513</b>	<b>398003</b>	Clutch-Drive	<b>802A</b>	<b>395537</b>	Cap-End (Hsg. Length 3 5/8") ———— <b>Note</b> ———— <b>490310</b> Cap-End (Hsg. Length 4 9/16") <b>494988</b> Cap-End (Hsg. Length 4 3/8") <b>492022</b> Cap-End (Hsg. Length 3 15/32")			

★ Included in Gasket Set-Part No. 492653.  
● Included in Carburetor Kit-Part No. 394989.

∅ Included in Valve Overhaul Gasket Set-Part No. 498537.

# 254400 to 254499



REF. NO.	PART NO.	DESCRIPTION	REF. NO.	PART NO.	DESCRIPTION	REF. NO.	PART NO.	DESCRIPTION
3	★391086	Seal—Oil	51A	∅★498869	Gasket—Carburetor Mounting	358	492653	Gasket Set
7	∅★271866	Gasket—Cylinder Head	87	★491323	Seal—Governor Shaft	524	★281370	Seal—Fill Tube
9	∅★27803	Gasket—Breather	94	●292681	Valve—Idle Adjust	524A	★65304	Gasket—Dipstick
12	★272125	Gasket—Crankcase (.015" Thick)	102	●270268	Gasket—Carburetor Body	850	★271793	Seal—Base
	★272219	Gasket—Crankcase (.005" Thick)	104	●230896	Pin—Float Hinge	883	∅★272293	Gasket—Exhaust
	★272220	Gasket—Crankcase (.009" Thick)	105	●394681	Valve—Needle	978	★271736	Gasket
20	★291675	Seal—Oil	113	●394730	Nozzle—Carburetor	1095	498537	Gasket Set—Valve Overhaul
51	★270267	Gasket—Intake	114	●68667	Gasket—Nozzle			
			118	●99525	Valve—High Speed			
			121	394989	Carburetor Kit			
			127	●221747	Plug—Welch			

★ Included in Gasket Set—Part No. 492653.  
● Included in Carburetor Kit—Part No. 394989.

∅ Included in Valve Overhaul Gasket Set—Part No. 498537.