

254400 to 254499

Illustrated Parts List

Model Series

254400 to 254499

TYPE NUMBERS
0015 through 0070
and 0111
0120 through 0138
0215, 0216
0225 through 0229
0250
0269, 0270, 0300,
0310
0312 through 0370

TO FIND

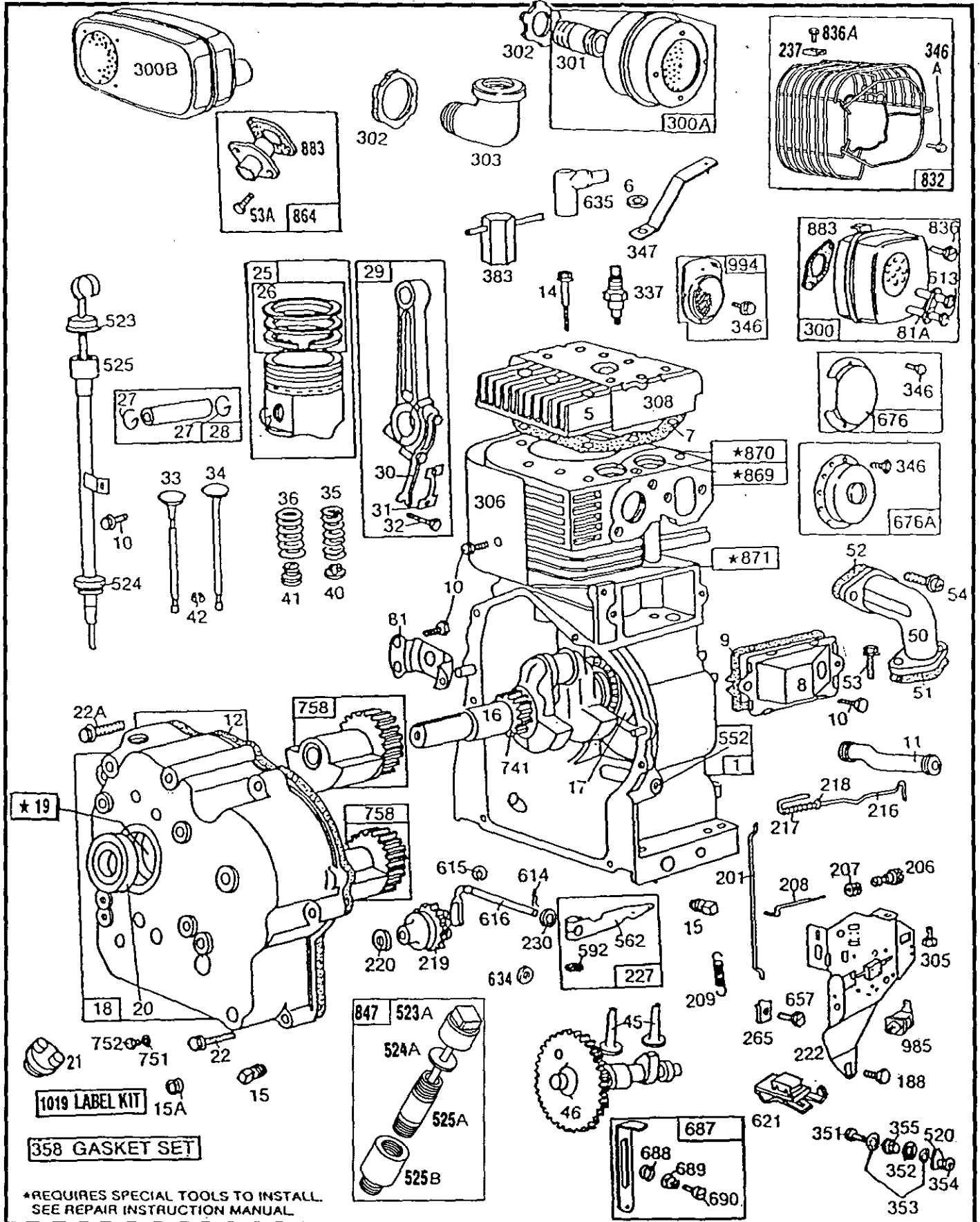
THE CORRECT NUMBER OF THE PART YOU NEED:

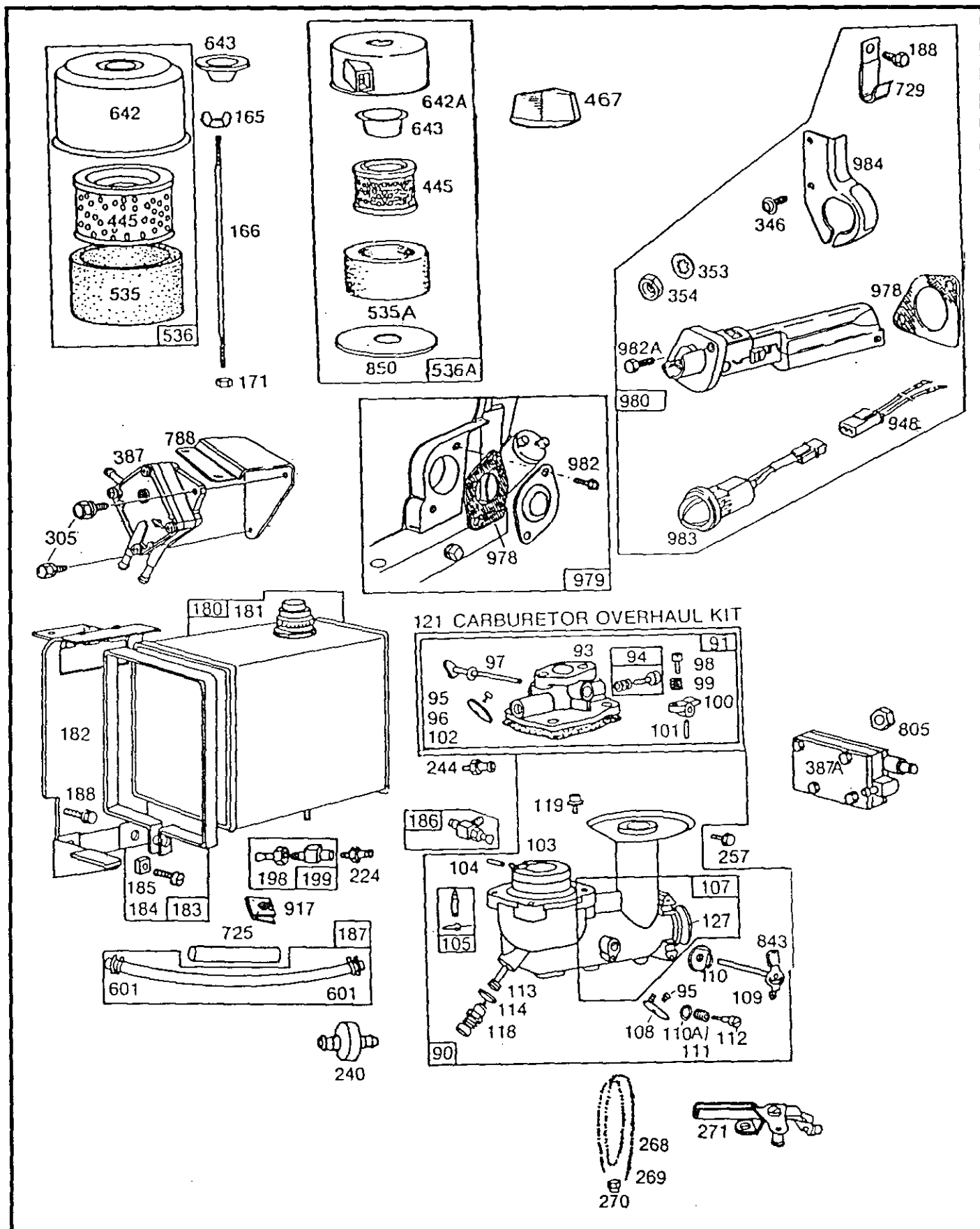
FOLLOW THE INSTRUCTIONS BELOW

- A. Refer to Engine Model, Type and Code Number that is stamped on the blower housing of engine. Engine type numbers such as 012301 are listed herein only as 0123. The two digits (01 or 02, etc.) to the right of the space are not needed for parts identification. Then use the Illustrated Parts List covering the Model Series.
- B. Refer to Illustrated Parts section and compare the old part with illustration. The number on the illustration is the Reference Number. Assemblies include all parts shown in frames. All parts shown in assembly frames on which individual reference numbers are given can be purchased separately.
- C. After the Reference Number has been identified, refer to the Numerical Parts List, where Reference and Master Part Number are listed. **THE MASTER PART IS USED ON ALL TYPE NUMBERS EXCEPT THOSE TYPE NUMBERS UNDER "NOTE"**.
- D. If a "Note" appears below the Master Part Number, this means that this part differs from the Master Part for certain types. If the Type number is listed under "Note", order the part referred to.
- E. If the Engine Type Number does not appear after any part number listed under "Note", use the Master Part Number.
- F. For Type Numbers higher than those covered by this book, please refer to the factory if you are unable to identify the part by comparison.

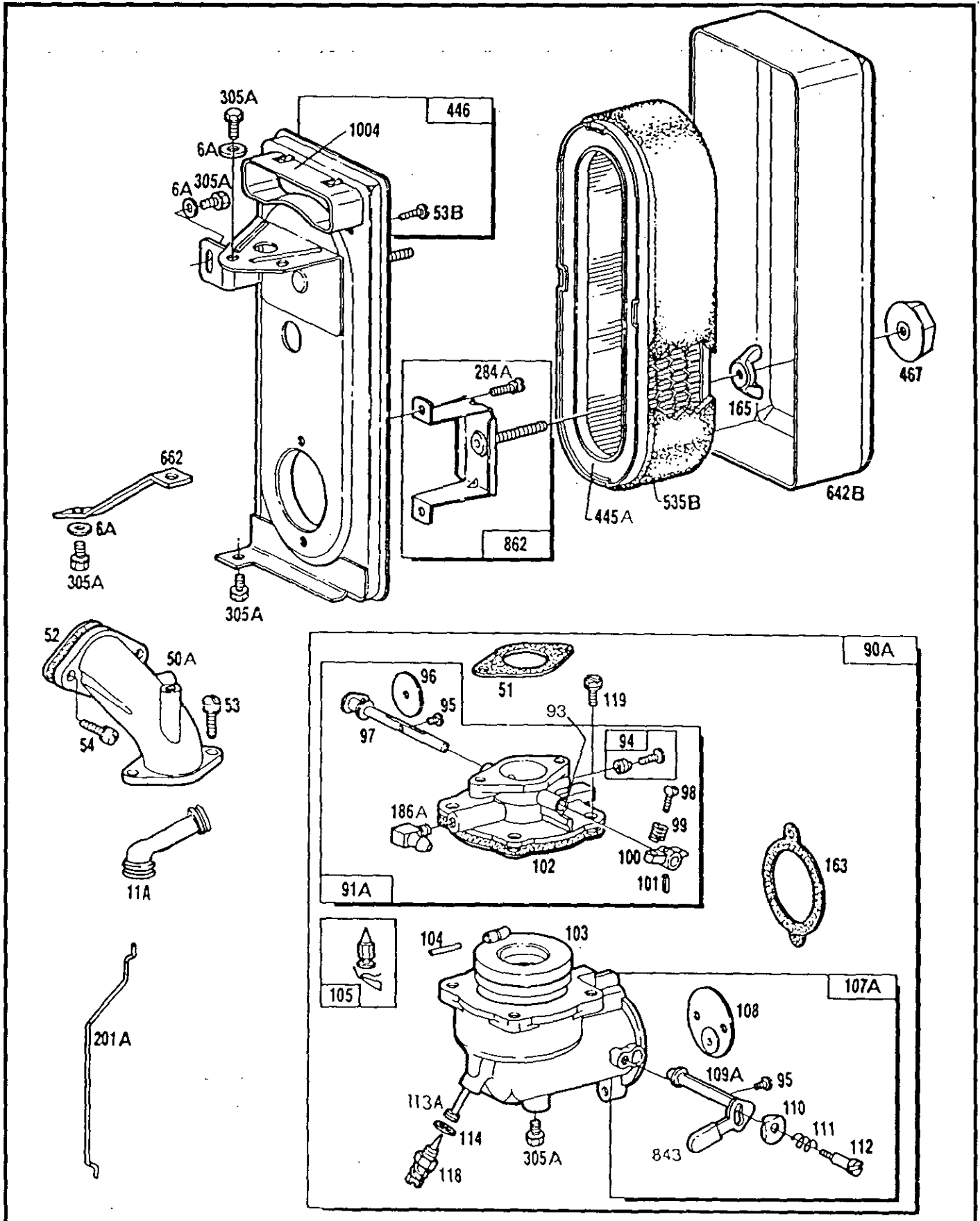





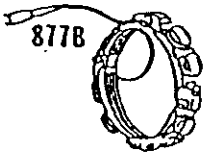





254400 to 254499



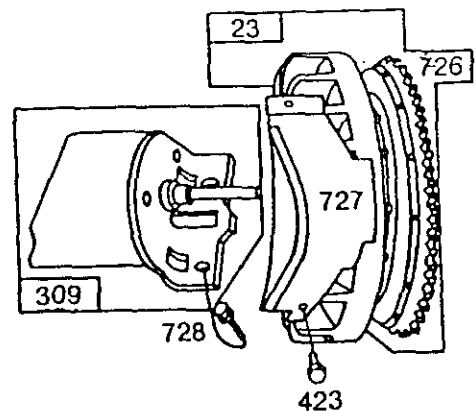
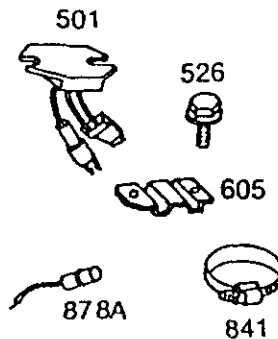
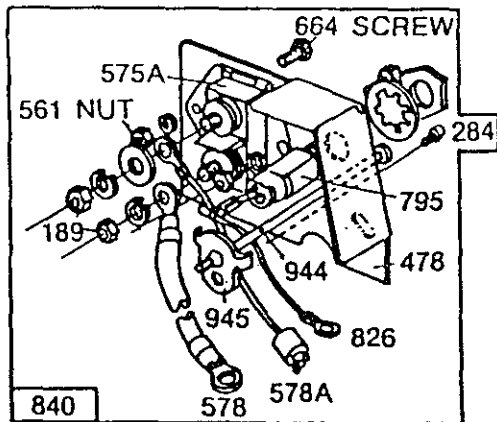


254400 to 254499

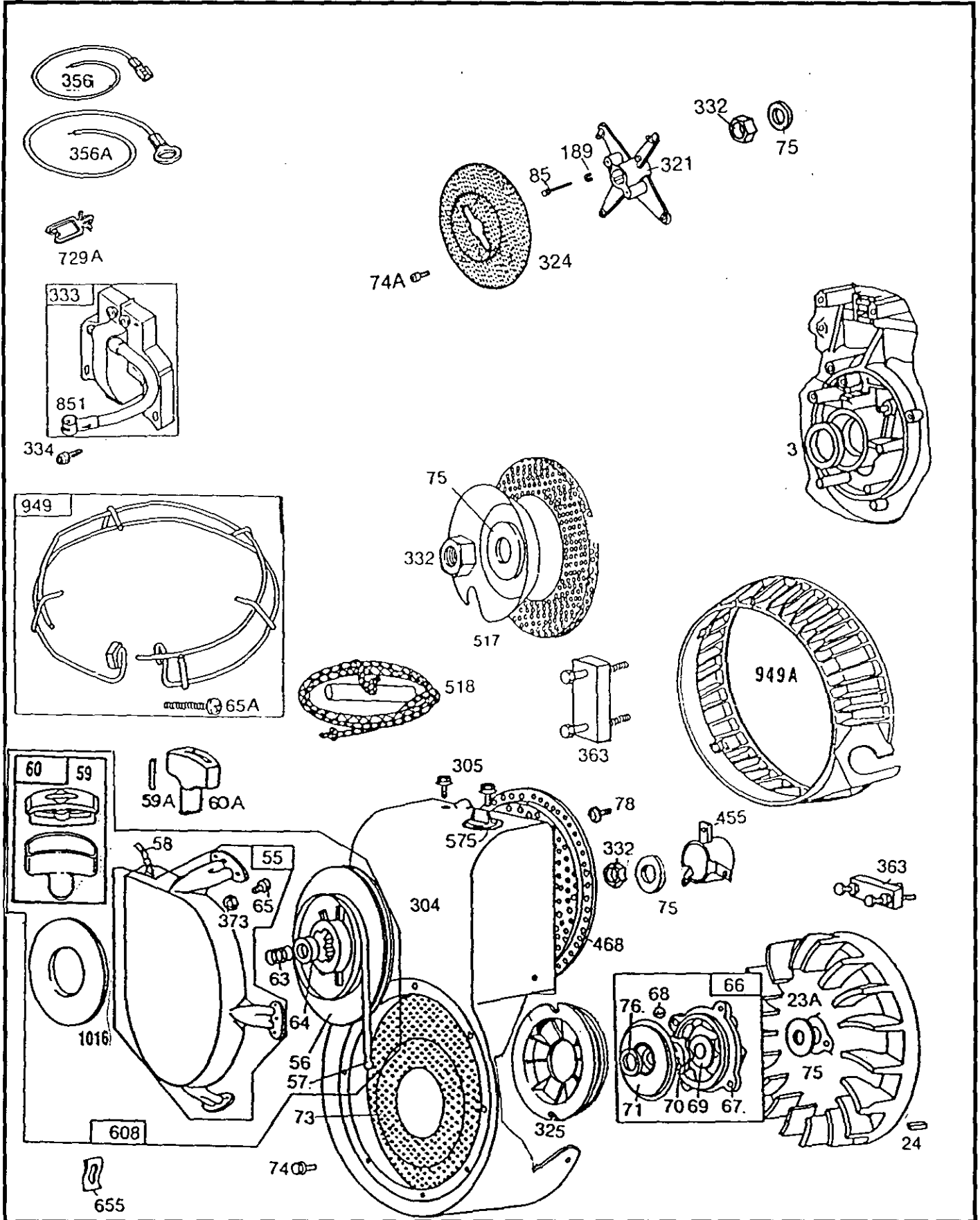


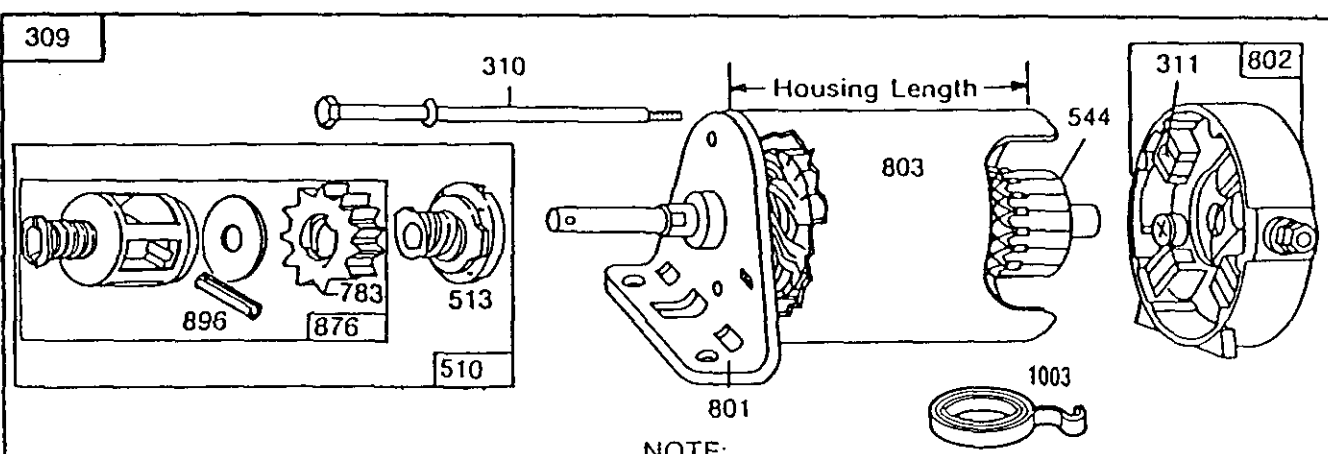
DC ONLY	DUAL CIRCUIT	10 AMP	TRI-CIRCUIT
23	23	23	23
887 877A 	474 877 	474A 	474B 877B 
878A 	878 	878A 	814 
		501 	

NOTE: All stators use No. 482 Mtg. Screw



254400 to 254499





NOTE:
To identify Briggs & Stratton manufactured starter motors, measure the housing length.

Reference Number	309	310	311	510	544	801	802	803	1003
Manufacturer	Motor and Drive Ass'y.	Thru Bolt Assembly	Brush Assembly	Drive Assembly	Armature Assembly	Drive End Cap Assembly	End Cap Ass'y. Commutator	Housing Assembly	Brush Spring
Briggs & Stratton									
12V	3-21/32"	394805	94003	395538	396865**	390837	394857	395537*	393825
12V	4-9/16"	399169	94169	490311	490421***	490309	394857	490310*	399172
United Technologies									
12V	3-15/32"	394805	-	492020	490421***	-	394857	492021*	-

*Includes Brush Set
 **Includes #398003 Clutch Assembly (Ref. No. 513)
 #280104 Gear (Ref. No. 783)
 #393254 Retainer and Pin (Ref. No. 876)
 # 93754(Black) or#94288(Copper) Roll Pin (Ref. No. 896)
 ***Includes #398003 Clutch Assembly (Ref. No. 513)
 #280104 Gear (Ref. No. 783)
 #490467 Retainer and Pin (Ref. No. 876)
 # 94288 Roll Pin(Copper) (Ref. No. 896)

254400 to 254499

REF. NO.	PART NO.	DESCRIPTION	REF. NO.	PART NO.	DESCRIPTION	REF. NO.	PART NO.	DESCRIPTION
1	394656	Cylinder Assembly		262084	Crankshaft	21	66768	Plug—Oil Fill
3	391086	Seal—Oil			Used on Type No. 0123.			Used on Type Nos. 0340, 0356.
5	212914	Head—Cylinder		262292	Crankshaft	22	93585	Screw—Crankcase Cover Mtg. Sem (5)
6	22963	Washer			Used on Type Nos. 0137, 0320.			Note: 93730 Stud—Crankcase Cover Mtg (1)
6A	62199	Washer (Intake Elbow Strap)		399724	Crankshaft			90366 Washer—Lock (1)
7	* 271866	Gasket—Cylinder Head			Used on Type No. 0349.			Used on Type Nos. 0322, 0356.
8	391575	Breather Assembly		399725	Crankshaft	22A	93764	Screw—Crankcase Cover Mounting (1) (2-1/8" long)
9	* 27803	Gasket—Valve Cover			Used on Type Nos. 0028, 0131, 0138, 0215.			23 391988 Flywheel and Ring Gear Assy.—Magneto
10	93394	Screw—Sem		399726	Crankshaft	23A	392157	Flywheel—Magneto (For Rope and Rewind Starter Engines)
11	280112	Tube—Breather			Used on Type Nos. 0130, 0132, 0136, 0225, 0226, 0227, 0229, 0250, 0317, 0324, 0330, 0338, 0343, 0348, 0350, 0353, 0362, 0365.	24	222698	Key—Flywheel
11A	280717	Tube—Breather		399728	Crankshaft	25	394661	Piston Assembly—Standard
12	* 271704	Gasket—Crankcase Cover—1/64" thick			Used on Type Nos. 0133, 0134, 0135, 0269, 0270, 0310, 0312, 0313, 0314, 0318, 0325, 0327, 0329, 0332, 0333, 0334, 0340, 0341, 0344, 0345, 0347, 0352, 0354, 0355, 0356, 0357, 0358, 0359, 0360, 0361, 0363, 0368, 0369, 0370.		394662	Piston Assembly—.010" O.S.
	* 270857	Gasket—Crankcase Cover—.005" thick					394663	Piston Assembly—.020" O.S.
	* 270858	Gasket—Crankcase Cover—.009" thick					394664	Piston Assembly—.030" O.S.
14	93723	Screw—Cylinder Head (3" long)						PISTON RING SETS:
	Note:	93781 Stud—Cylinder Head						Note: For Chrome Ring Set—Standard Size—Order No. 392331.
		22963 Washer Used on Type Nos. 0124, 0317, 0324, 0328, 0338, 0348.						26 394665 Ring Set—Piston—Standard
		93781 Stud—Cylinder Head						391781 Ring Set—Piston—.010" O.S.
		231186 Spacer Used on Type Nos. 0340, 0347.		17	291667	Bearing—Ball		391782 Ring Set—Piston—.020" O.S.
15	91084	Plug—Oil Drain		18	398563	Cover Assembly—Crankcase		391783 Ring Set—Piston—.030" O.S.
	Note:	92738 Plug—Drain (Magnetic) Use one on Engines with OIL GARD™ or Equipped for.			Note:	492661 Cover Assy.—Crankcase Used on Type Nos. 0070, 0269, 0270, 0312, 0345.		27 260924 Lock—Piston Pin
15A	93418	Plug—Hex. Socket				491529 Cover Assy.—Crankcase Used on Type Nos. 0329, 0340, 0347, 0356, 0368, 0369, 0370.		28 299691 Pin Assembly—Piston—Standard
16	262080	Crankshaft						391286 Pin Assembly—Piston—.005" O.S.
	Note:	To Replace Crankshaft Gear Key, Order Part No. 94196.						29 490348 Rod Assembly—Connecting
		262064 Crankshaft Used on Type Nos. 0120, 0328, 0335.						Note: For Connecting Rod with .020" Undersize Crankpin Bore—Order No. 490469.
		262081 Crankshaft Used on Type Nos. 0070, 0122.		19	231180	Bearing—(DU)		30 222329 Dipper—Connecting Rod
		262083 Crankshaft Used on Type Nos. 0025, 0026, 0027, 0124.		20	291675	Seal—Oil		

* Included In Gasket Set—Part No. 391834

254400 to 254499

REF. NO.	PART NO.	DESCRIPTION	REF. NO.	PART NO.	DESCRIPTION	REF. NO.	PART NO.	DESCRIPTION
31	222299	Lock—Connecting Rod Screw	74A	93805	Screw—Sem			Note: 394682 Valve—Fuel Inlet (Includes Brass Seat) Order 394683 (Includes Brass Seat) for Fuel Pump Applications.
32	92909	Screw—Connecting Rod	75	220865	Washer—Spring	107	391829	Body Assembly—Lower Carburetor
33	261185	Valve—Exhaust	76	68238	Washer—Ratchet Sealing	107A	490422	Body Assembly—Carburetor
34	261462	Valve—Intake	78	93805	Screw—Sem	108	391836	Valve—Choke
35	65906	Spring—Intake Valve	81	222407	Retainer—Counterweight	109	391583	Shaft and Lever—Choke
36	26828	Spring—Exhaust Valve	81A	223016	Lock—Screw			Note: 396699 Shaft and Lever—Choke Used on Type Nos. 0129, 0130, 0131, 0321, 0322, 0324.
40	221596	Retainer—Intake Valve	85	91386	Screw—Hex Head	109A	490068	Shaft and Lever—Choke
41	292260	Rotocoil—Exhaust Valve	90	392587	Carburetor Assembly (Manual Choke)	110	222712	Washer
42	93630	Retainer—Exhaust Valve Rotocoil (2)			Note: 391831 Carburetor Assy. Used on Type Nos. 0129, 0130, 0131, 0321, 0322, 0324.	110A	62899	Washer—Choke Lever
45	262248	Tappet—Valve			392033 Carburetor Assy. Used on Type Nos. 0124, 0136, 0317, 0338, 0348.	111	26155	Spring—Choke Lever
46	212897	Gear—Cam	90A	491525	Carburetor Assy.	112	23123	Screw—Choke Lever
50	212301	Elbow—Intake	91	391833	Body Assembly—Upper Carburetor	113	† 394730	Nozzle—Carburetor
50A	213208	Elbow—Intake			Note: 392032 Body Assy.—Upper Carburetor Used on Type Nos. 0124, 0136, 0317, 0338, 0348.	113A	490493	Jet—High Speed
51	*† 270267	Gasket—Carburetor Mtg.	91A	491527	Body Assembly—Upper Carburetor	114	† 68667	Gasket—Nozzle
52	*† 270872	Gasket—Intake Elbow Mounting	93	23108	Bushing—Throttle Shaft	118	† 99525	Valve—Needle
53	93415	Screw—Carburetor Mounting Sem	94	† 292681	Valve Assembly—Carburetor Idle	119	94152	Screw—Sem
53A	93840	Screw—Socket Head	95	93499	Screw—Throttle and Choke Valve	121	394989	Carburetor Overhaul Kit
53B	94073	Screw—Hex Head	96	221939	Valve—Throttle	127	† 221747	Plug—Welch
54	93208	Screw—Intake Elbow Mounting Sem	97	391596	Shaft and Lever—Throttle	163	271910	Gasket—Air Cleaner
55	393576	Housing—Rewind Starter	98	91920	Screw—Machine, Fil. Hd.—8-32 x 5/8"	165	93453	Nut—Wing
56	295871	Pulley—Rewind Starter (Includes 63" Rope)	99	26157	Spring—Throttle Adjustment	166	231007	Stud—Air Cleaner
57	490179	Spring—Rewind Starter	100	212904	Stop—Throttle	171	92129	Nut—Hex.—1/4-28
58	66884	Rope—Rewind Starter (63" long)	101	93043	Pin—Throttle Stop	180	291488	Tank Assembly—Fuel (6 Quart)
59	490653	Insert—Starter Handle	102	*† 270268	Gasket—Carburetor	181	392305	Cap—Fuel Tank
59A	230228	Pin—Starter Grip	103	298514	Float—Carburetor			Note: 297866 Cap—Fuel Tank Used on Type Nos. 0316, 0326, 0342.
60	490652	Handle—Rewind Starter	104	† 230896	Pin—Float Hinge			393156 Cap—Fuel Tank Used on Type Nos. 0312, 0325.
60A	66728	Grip—Starter Rope	105	394681	Valve—Fuel Inlet	182	222827	Bracket—Fuel Tank
63	260414	Spring—Ratchet				183	291490	Strap Assembly—Fuel Tank
64	230543	Adapter—Ratchet Spring				184	91257	Screw—Machine, Fil. Hd.—1/4-20 x 1-1/2"
65	93067	Screw—Rewind Starter				185	90970	Nut—Square—1/4-20
65A	94124	Screw—Guard Retaining						
66	399671	Clutch Assy.—Rewind Starter						
67	394897	Housing—Clutch						
68	63770	Ball—Clutch						
70	298799	Ratchet—Rewind Starter Clutch						
71	394506	Washer—Retainer (Rubber Coated)						
		Note: 221653 Washer—Retainer (Non-Coated)						
73	221796	Screen—Rotating						
74	93042	Screw—Sem						

* Included In Gasket Set—Part No. 391834

† Included In Carburetor Overhaul Kit—Part No. 394989

254400 to 254499

REF. NO.	PART NO.	DESCRIPTION	REF. NO.	PART NO.	DESCRIPTION	REF. NO.	PART NO.	DESCRIPTION
186	390303	Connector & Shut-Off Valve—Fuel Pipe			0128, 0129, 0131, 0133, 0134, 0135, 0137, 0250, 0269, 0270, 0310, 0312, 0313, 0314, 0318, 0320, 0321, 0322, 0325, 0327, 0328, 0329, 0332, 0333, 0334, 0335, 0339, 0340, 0341, 0344, 0345, 0347, 0349, 0351, 0352, 0354, 0355, 0356, 0357, 0357, 0358, 0359, 0360, 0361, 0363, 0368, 0369, 0370.			required length.
186A	67218	Elbow—Connector				269	26633	Wire—Control—78" long
187	296004	Pipe—Fuel (23" Long) Cut to Suit						Note: If longer wire is required, specify length in inches; if shorter wire is needed, Order No. 26633 and cut to required length.
	Note:	393815 Pipe—Fuel (11" Long) Cut to Suit				270	63426	Locknut—Control Wire Casing
188	93535	Screw—Sem				271	290568	Lever Assy.—Control
189	90366	Washer—Lock				284	93572	Screw—Thread Forming
198	293934	Valve—Fuel Shut-Off				284A	94271	Screw—Phillips Hd. Sem
199	297563	Outlet—Fuel Tank				300	491413	Muffler—Exhaust
201	261236	Link—Governor				300A	391569	Muffler—Exhaust (For Muffler only Order No. 392989)
	Note:	260478 Spring—Governor Link Used on Type Nos. 0070, 0122, 0123, 0133, 0134, 0135, 0269, 0270, 0310, 0312, 0313, 0314, 0318, 0325, 0327, 0329, 0332, 0333, 0334, 0341, 0344, 0345, 0347, 0351, 0352, 0354, 0355, 0356, 0357, 0358, 0359, 0360, 0361, 0363, 0368, 0369.	216	262027	Link—Choke	300B	392101	Muffler—Exhaust
			217	261119	Spring—Choke Link	301	93768	Nipple—Exhaust Pipe (5-1/4")
			218	222352	Washer—Choke Link			Note: 92107 Nipple—Exhaust Pipe (4" Long) Used on Type No. 0353.
			219	391737	Gear—Governor	302	261564	Locknut—Muffler and Elbow
			220	221551	Washer—Thrust	303	91308	Elbow—Muffler—90°
			222	399152	Plate—Governor Control (Manual Choke)	304	398595	Housing—Blower
				Note:	399153 Plate—Governor Control (Choke-A-Matic) Used on Type Nos. 0129, 0130, 0131, 0321, 0322, 0324.			Note: 391502 Housing—Blower Used on Type Nos. 0124, 0130, 0135, 0136, 0317, 0318, 0324, 0330, 0338, 0348, 0356, 0370.
201A	262307	Link—Governor				305	93158	Screw—Sem
	Note:	260478 Spring—Governor Link Used on Type Nos. 0340, 0347.				305A	93559	Screw—Hex. Hd. Sem
206	231266	Nut—Governor Control Rod	224	93067	Screw—Sem	306	222744	Shield—Cylinder
207	26855	Spring—Governor Control Rod	227	396775	Lever Assy.—Governor	308	222725	Cover—Cylinder Head Motor—Starting
208	261959	Rod—Governor Control	230	222450	Washer—Governor Crank	309		See Chart for Replacement Parts for Starting Motor on Illustrated Pages
209	260695	Spring—Governor	237	222379	Retainer—Guard			
	Note:	260871 Spring—Governor Used on Type No. 0337.	240	298090	Filter—Fuel	321	212159	Fan—Booster
		261306 Spring—Governor Used on Type Nos. 0070, 0120, 0121, 0122, 0123, 0124,			Note: 394358 Filter—Fuel (Used on Fuel Pump Applications)	324	222754	Screen—Rotating
			244	230318	Connector—Fuel Pipe	325	280457	Pulley—Rope
			257	93543	Screw—Sem	332	92284	Nut—Hex.
			265	221535	Clamp—Casing			
			268	65616	Casing—Control Wire—72" long			
				Note:	If longer casing is required, specify length in inches; if shorter wire is needed, Order No. 65616 and cut to			

254400 to 254499

REF. NO.	PART NO.	DESCRIPTION	REF. NO.	PART NO.	DESCRIPTION	REF. NO.	PART NO.	DESCRIPTION
333	398811	Armature Group (MAGNETRON® Ignition)	387	491922	Pump—Impulse			491871 Tube—Oil Filler
334	93381	Screw—Armature Mounting Sem	387A	390665	Pump—Impulse			(Used After Code Date 88102500)
337	298809	Plug—Spark (1-1/2" high—37-42 M.M.)		Note:	390818 Pump—Impulse Used on Type Nos. 0250, 0330, 0338, 0348.			392655 Tube—Oil Filler
	Note:	29693 Plug—Spark (2" high—51 M.M.)			223610 Bracket—Pump Mounting			(Used Before Code Date 88102600)
		293918 Plug—Spark (Resistor Type—1-1/2" high—37 M.M.)			93380 Screw—Hex Head—Sem Used on Type No. 0250.	525A	91258	Nipple—Pipe 1/2" x 2" Long
		392558 Plug—Spark Resistor Type—2" high—51 M.M.)	423	93984	Screw—Sem	525B	394884	Adapter—Oil Filler Pipe
		492167 Plug—Spark (1-7/8" High—48 M.M.)		Note:	93410 Screw—Sem Used with Metal Starter Cover	526	93343	Screw—Regulator
		802592 Plug—Spark (1-7/8" High—47 M.M.) (Resistor Type)	445	393957	Cartridge—Air Cleaner	528	393815	Pipe Assy.—Fuel
346	93705	Screw—Sem	445A	399968	Cartridge—Air Cleaner	535	270782	Element—Air Cleaner
346A	93587	Screw—Hex Head	446	490430	Air Cleaner Body and Bracket Assy.	535A	271794	Element—Air Cleaner
347	393242	Switch—Stop	455	222561	Cup—Screen Mounting	535B	271939	Element—Air Cleaner
351	93735	Screw—Terminal (Truss Hd.)	467	212706	Knob—Air Cleaner	536	391063	Cleaner Assy.—Air
	Note:	91920 Screw—Terminal (Fillister Hd.)	468	222562	Screen—Flush Rotating	536A	399810	Cleaner Assy.—Air
352	66068	Washer—Insulating	474	393474	Stator—Alternator (Dual Circuit)	552	231598	Bushing—Governor Crank (Used after Code Date 88041700.)
353	92791	Washer—Lock— Shakeproof	474A	393295	Stator Alternator (10 Amp)		Note:	231056 Bushing— Gov. Crank (Used before Code Date 88041800.)
354	90576	Nut—Hex.—8-32 (2)	474B	392595	Stator—Alternator (Tri-Circuit)	561	92278	Nut—Hex.—(1/4-20)
355	66554	Collar—Insulating	478	395410	Panel—Instrument	562	92613	Bolt—Governor Lever
356	398874	Wire—Ground	482	93621	Screw—Sem	575	396691	Switch—Rotary
	Note:	398838 Wire—Ground Used on Type Nos. 0124, 0125, 0127, 0130, 0135, 0136, 0137, 0316, 0317, 0318, 0323, 0324, 0326, 0330, 0337, 0338, 0340, 0341, 0342, 0347, 0348, 0354, 0356, 0357.	501	394890	Regulator—Alternator (10 Amp.)	575A	299139	Switch—Starting
356A	298693	Wire—Ground (30" long—Cut to Suit)	517	295423	Pulley—Rope Starter	578	392683	Wire Assembly
357	91540	Key—Pulley	518	69932	Rope—Starter	578A	393109	Switch to Alternator— Starter
358	391834	Gasket Set	520	93722	Terminal—Spade	592	231082	Nut—Hex.—10-24
363	19203	Puller—Flywheel (Optional Accessory)	523	490665	Cap and Dipstick— Oil Filler	601	93053	Clamp—Fuel Pipe
383	89838	Wrench—Spark Plug	523A	297357	Cap and Dipstick— Oil Filler	605	222934	Bracket—Regulator
			524	68838	Seal—Filler Tube	608	390391	Starter Assy.—Rewind
			524A	65304	Gasket—Oil Filler Cap	613	93927	Screw—Hex. Hd.
			525	392283	Tube—Oil Filler	614	93306	Cotter—Hair Pin
				Note:	392655 Tube—Oil Filler (Impulse Fuel Pump) (Uses 280275 Cable Tie) Used on Type Nos. 0124, 0135, 0136, 0317, 0318, 0338, 0348.	615	93307	Retainer—E-Ring
						616	231057	Crank—Governor
						621	396847	Switch—Stop
						634	491323	Seal—Oil (Used after Code Date 88041700.)
						635	66538	Elbow—Spark Plug
						642	222271	Cover—Air Cleaner
						642A	398462	Cover—Air Cleaner
						642B	223751	Cover—Air Cleaner
						643	222272	Cup—Air Cleaner

254400 to 254499

REF. NO.	PART NO.	DESCRIPTION	REF. NO.	PART NO.	DESCRIPTION	REF. NO.	PART NO.	DESCRIPTION
655	222598	Anchor—Spring			Uses:	869	261463	Seat—Intake Valve (Standard)
657	93496	Screw—Sem			93712 Screw (4)	870	210940	Seat—Exhaust Valve (Standard)
662	223820	Strap—Support			93713 Lockwasher (4)	871	261901	Guide—Exhaust Valve (Only)
664	93415	Screw—Sem			To mount Guard on Type Nos.		Note:	231218 (Brass) Guide—Intake
676	393761	Deflector—Exhaust (Side Outlet)			0135, 0136, 0318, 0332, 0340, 0344, 0352, 0370.			See Repair Manual.
	Note:	397630 Deflector—Muffler (Louvered Outlet) Used on Type Nos. 0326, 0332, 0334, 0342, 0354, 0357.	728	93535	Screw—Sem (5/16-18 x 3/4" long)	877	393456	Diode and Connector Assy. (Dual Circuit)
676A	396903	Deflector—Exhaust (Direct Outlet)	729	223528	Clip—Wire	877A	393814	Diode and Connector Assy. (D.C.)
687	390701	Slide—Friction Control	729A	280590	Clip—Wire	877B	393537	Connector Assembly
688	221766	Cap—Friction Spring	741	262135	Gear—Timing	878	393362	Alternator Harness Assy. (Dual Circuit)
689	260847	Spring—Friction	751	22355	Washer—Flat	878A	393422	Alternator Harness Assy. (D.C.)
690	92484	Screw—Machine, Fil. Hd., 10-32 x 1/2"	752	93554	Screw—Plug	883	270917	Gasket—Exhaust
725	222175	Shield—Fuel Pipe—Heat	758	391481	Counterweight and Bearing Assembly	887	391529	Stator Assembly—Alternator (D.C.)
726	392134	Gear—Flywheel Ring (Includes Mounting Parts)	788	224123	Bracket—Pump	917	223271	Valve Handle—Fuel Shut-Off
727	395405	Cover—Starter (Includes Mounting Screws)	795	392697	Switch—Panel Ignition (Toggle)	944	94003	Bolt—Starter Panel
	Note:	223597 Guard—Ring Gear			Uses:	945	223159	Bracket—Starter Panel
		Uses:			93888 Hex.—Nut	948	398661	Harness—Wire
		93712 Screw (2)			Note:	949	396581	Guard—Rewind Starter
		93713 Lockwasher (2)			392833 Switch—Ignition (Key)	949A	280685	Guard—Rewind Starter
		To mount Guard on Type Nos. 0015, 0070, 0111, 0120, 0122, 0128, 0132, 0133, 0137, 0138, 0215, 0216, 0269, 0270, 0300, 0310, 0312, 0313, 0315, 0316, 0319, 0320, 0325, 0326, 0328, 0331, 0333, 0335, 0340, 0341, 0342, 0343, 0344, 0345, 0346, 0349, 0352, 0355, 0358, 0360, 0361, 0368.	805	231001	Locknut—Impulse Pump	978	271736	Gasket—Oil Switch
		223597 Guard—Ring Gear	814	392606	Diode and Connector Assembly—Alternator	979	398194	Cover—OIL GARD® Hole
		221968 Guard—Upper Ring Gear	826	397674	Wire—Panel (Starter Switch to Ground Wire Terminal)	980	398182	Switch—OIL GARD®
			832	398249	Muffler Guard	982	94139	Cover Screw—OIL GARD®
			836	93559	Screw—Sem	982A	94146	Screw—OIL GARD® Mtg.
			836A	94186	Screw—Hex. Head	983	398660	Light—Indicator
			840	395408	Kit—Starter Panel (Toggle)	984	223773	Bracket—Indicator Light
					Note:	985	398525	Insulator Assembly
					395409 Kit—Starter Panel (Key)	994	392390	Arrester—Spark
			841	393514	Clamp—Regulator	1004	280718	Duct—Air
			843	280149	Sleeve—Choke Lever	1016	490817	Spacer
			847	493955	Oil Fill Group	1019	491254	Label Kit
			850	271793	Seal			
			851	221798	Terminal—Ignition Cable			
			862	490431	Air Cleaner Mounting Strap Group			
			864	392700	Liner Assy.—Exhaust Port			