

255400 to 255499

Illustrated Parts List

Model Series

255400 to 255499

TYPE NUMBERS
0027, 0031, 0117,
0118, 0130, 0131,
0133 through 0137.

TO FIND
THE CORRECT NUMBER OF THE PART YOU NEED:
FOLLOW THE INSTRUCTIONS BELOW

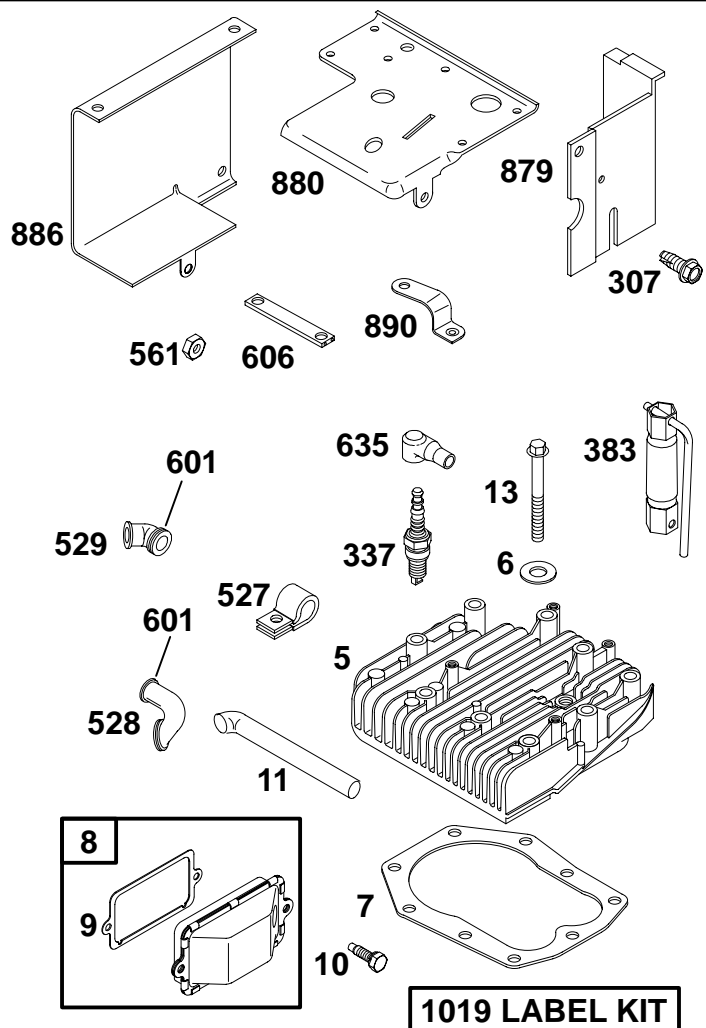
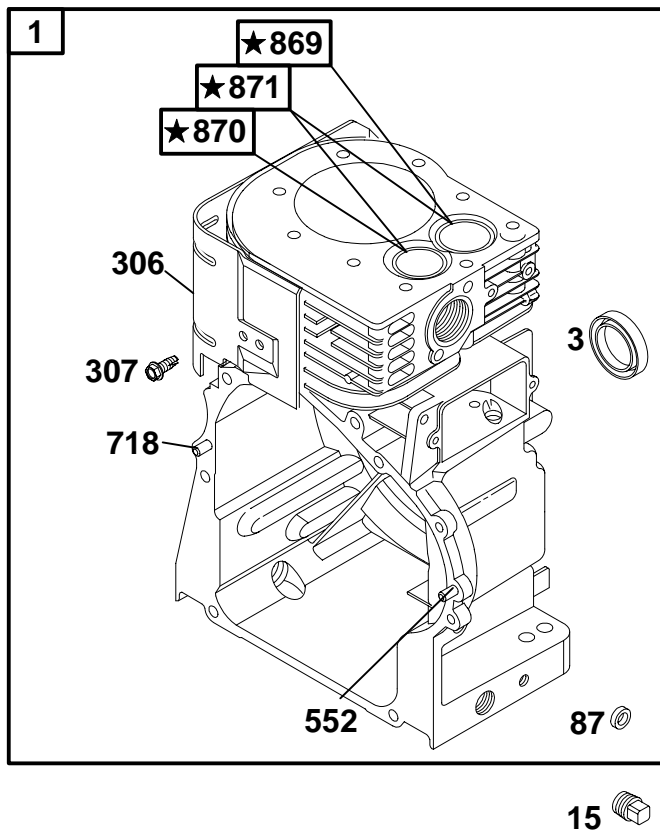
- A. Refer to Engine Model, Type and Code Number that is stamped on the blower housing of engine. Engine type numbers such as 0123 01 are listed only as 0123 in most instances. The two digits (01 or 02, etc.) to the right of the space may be required for more accurate parts identification in some instances. Select the Illustrated Parts List covering the correct Model Series and Type Number.
- B. Refer to the Illustrations and compare the original part with Illustration. The number next to the illustration is the Reference Number. Assemblies include all parts shown in frames. All parts shown in assembly frames having individual reference numbers can be purchased separately.
- C. After the Reference Number has been identified, refer to the Numerical text, where Reference and Primary Part Number are listed. **THE PRIMARY PART IS USED ON ALL TYPE NUMBERS EXCEPT THOSE TYPE NUMBERS UNDER "NOTE."**
- D. If a "Note" appears below the Primary Part Number, it means that this part differs from the Primary Part for certain types. If your Type number is listed under "Note," order the part referred to at the "Note."
- E. If your Engine Type Number does not appear after any part number listed under "Note," use the Primary Part Number.
- F. For Engine Type Numbers not covered by this book, check other Parts Lists having the same engine model or contact your source of supply.

PRINTED IN U.S.A.



COPYRIGHT by BRIGGS & STRATTON CORPORATION
All rights reserved. No part of this material may be reproduced or transmitted, in any form or by any means, electronic or mechanical, including photocopying, recording or by any information storage and retrieval system, without permission in writing from Briggs & Stratton Corporation.

255400 to 255499



1019 LABEL KIT

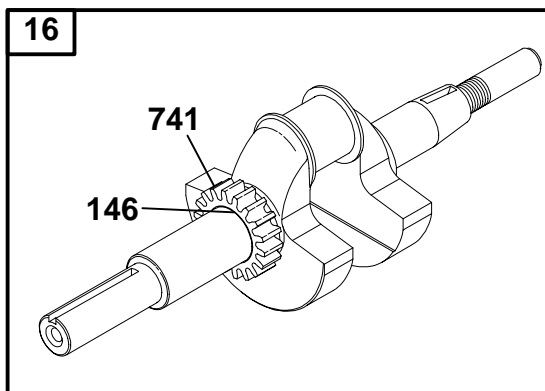
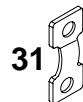
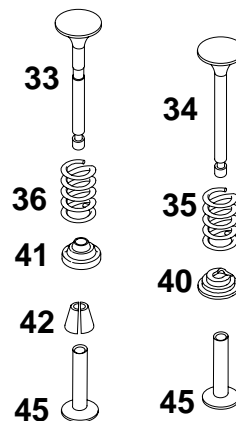
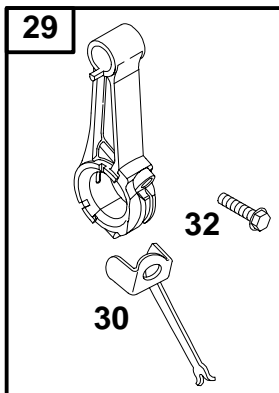
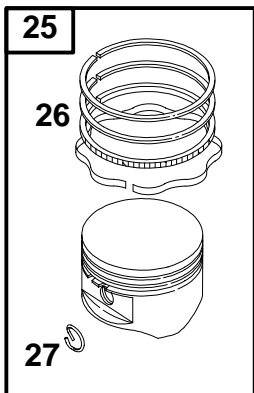
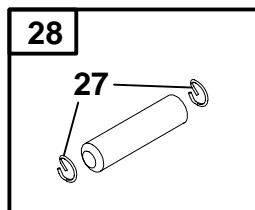
★ **REQUIRES SPECIAL TOOLS TO INSTALL.
SEE REPAIR INSTRUCTION MANUAL.**

1058 OWNER'S MANUAL

| REF. NO. | PART NO. | DESCRIPTION | REF. NO. | PART NO. | DESCRIPTION | REF. NO. | PART NO. | DESCRIPTION |
|----------|----------|----------------------|----------|----------|-----------------------------------|----------|----------|------------------------------------|
| 1 | 399121 | Cylinder Assembly | 337 | 492167 | Plug-Spark | 869 | 261463 | Seat-Valve (Intake) |
| 3 | ★391086 | Seal-Oil | | | Note | 870 | 262924 | Seat-Valve (Exhaust) |
| 5 | 212916 | Head-Cylinder | | | 298809 Plug-Spark | 871 | 261961 | Bushing-Guide (Exhaust) |
| 6 | 225137 | Washer-Flat | | | 802592 Plug-Spark (Resistor Type) | | | Note |
| 7 | ∅★272164 | Gasket-Cylinder Head | 383 | 89838 | Wrench-Spark Plug | | | 231218 Bushing-Guide (Intake) |
| 8 | 392294 | Breather Assembly | 527 | 223131 | Support-Breather Tube | 879 | 392290 | Cover-Assy. Side |
| 9 | ∅★27803 | Gasket-Breather | 528 | 280159 | Grommet-Cover | 880 | 222613 | Hood-Engine |
| 10 | 94621 | Screw-Hex. | 529 | 280160 | Grommet-Cover | 886 | 222695 | Cover-Cylinder |
| 11 | 231105 | Tube-Breather | 552 | 491893 | Bushing-Gov. Crank | 890 | 222935 | Bracket-Support |
| 13 | 94547 | Screw-Hex. | 561 | 92278 | Nut-Hex. | 1019 | 491254 | Label Kit |
| 15 | 94239 | Plug-Oil Drain | 601 | 93814 | Clamp-Hose | 1058 | 271034 | Owner's Manual Nonemission Engines |
| 87 | ★491323 | Seal-Governor Shaft | 606 | 222697 | Strap-Bracket | | | |
| 306 | 222609 | Shield-Cylinder | 635 | 66538 | Boot-Spark Plug | | | |
| 307 | 94930 | Screw-Hex. | 718 | 230192 | Pin-Locating | | | |

★ Included in Gasket Set-Part No. 492653.
● Included in Carburetor Kit-Part No. 394989.

∅ Included in Valve Overhaul Gasket Set-Part No. 498537.

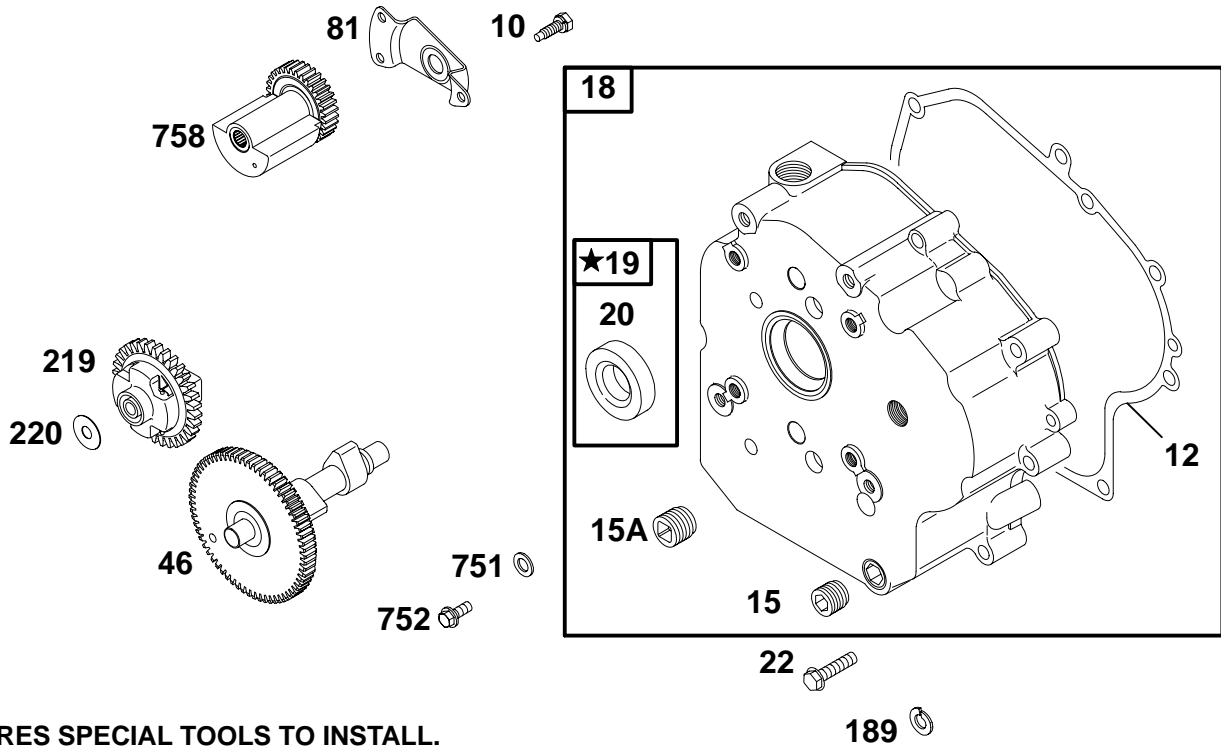


| REF. NO. | PART NO. | DESCRIPTION | REF. NO. | PART NO. | DESCRIPTION | REF. NO. | PART NO. | DESCRIPTION |
|----------|----------|---|----------|----------|--|----------|----------|---|
| 16 | 399726 | Crankshaft Note — 491644 Crankshaft Used on Type No(s). 0134. | 26 | 391780 | Ring Set (Standard) Note — 392331 Ring Set (Chrome Standard) 391781 Ring Set (.010" O.S.) 391782 Ring Set (.020" O.S.) 391783 Ring Set (.030" O.S.) | 29 | 490348 | Rod-Connecting Note — 490469 Rod-Conn (.020" Undersize) |
| 17 | 291667 | Bearing-Ball | 27 | 260924 | Lock-Piston Pin | 30 | 222329 | Dipper-Connecting Rod |
| 25 | 394661 | Piston Assembly (Standard) Note — 394662 Piston Assy. (.010" O.S.) 394663 Piston Assy. (.020" O.S.) 394664 Piston Assy. (.030" O.S.) | 28 | 299691 | Pin-Piston (Standard) Note — 391286 Pin-Piston (.005" O.S.) | 31 | 222299 | Lock-Rod Screw |
| | | | | | | 32 | 95017 | Screw-Connecting Rod |
| | | | | | | 33 | 261185 | Valve-Exhaust |
| | | | | | | 34 | 261462 | Valve-Intake |
| | | | | | | 35 | 65906 | Spring-Valve |
| | | | | | | 36 | 26828 | Spring-Valve |
| | | | | | | 40 | 221596 | Retainer-Valve |
| | | | | | | 41 | 292260 | Retainer-Valve |
| | | | | | | 42 | 494553 | Keeper-Valve |
| | | | | | | 45 | 262248 | Tappet-Valve |
| | | | | | | 146 | 94196 | Key-Timing |
| | | | | | | 357 | 91540 | Key-Drive Pulley |
| | | | | | | 741 | 262932 | Gear-Timing |

★ Included in Gasket Set-Part No. 492653.
● Included in Carburetor Kit-Part No. 394989.

∅ Included in Valve Overhaul Gasket Set-Part No. 498537.

255400 to 255499

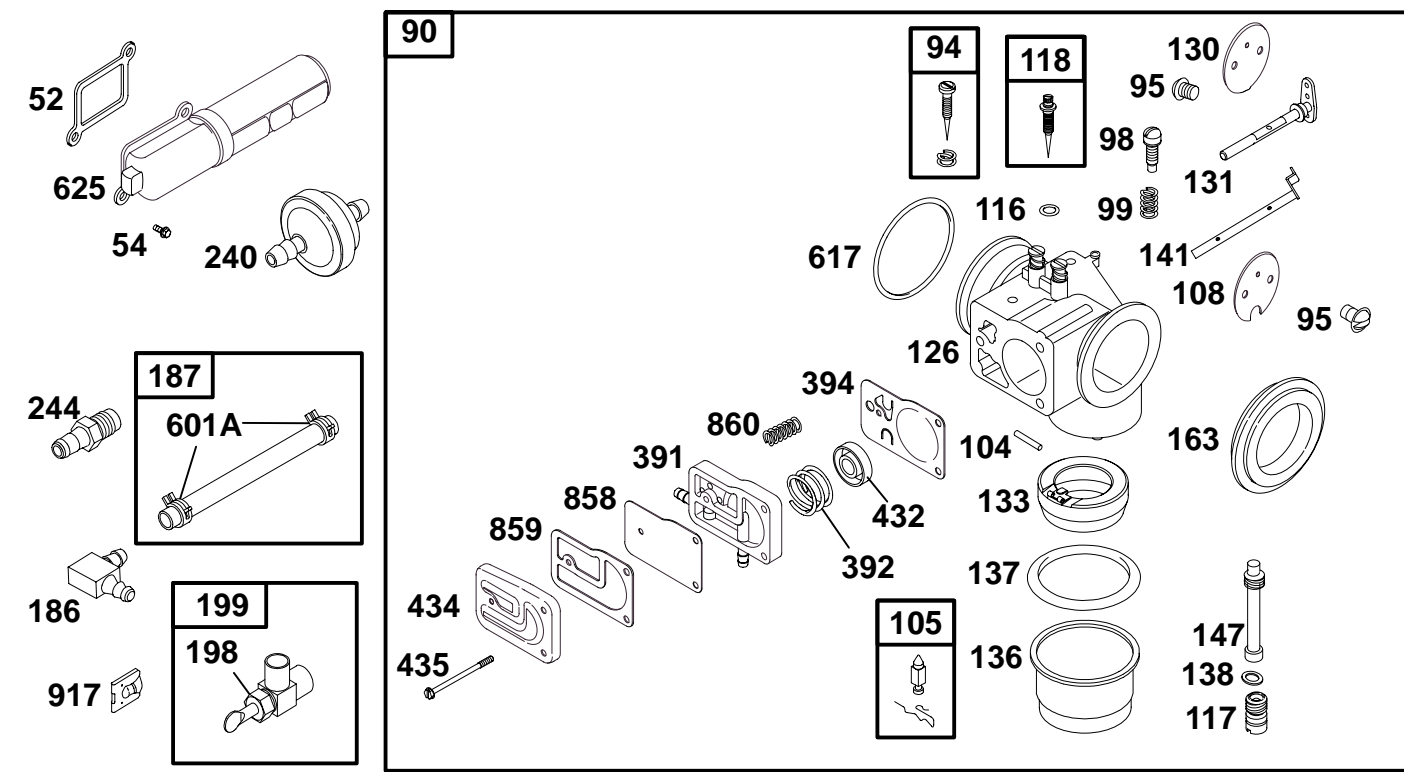


★ **REQUIRES SPECIAL TOOLS TO INSTALL.
SEE REPAIR INSTRUCTION MANUAL.**

| REF. NO. | PART NO. | DESCRIPTION | REF. NO. | PART NO. | DESCRIPTION | REF. NO. | PART NO. | DESCRIPTION |
|----------|----------|-----------------------------------|----------|----------|------------------------|----------|----------|--|
| 10 | 94621 | Screw-Hex. | 18 | 398855 | Cover-Crankcase | 189 | 90366 | Washer-Lock |
| 12 | ★272125 | Gasket-Crankcase (.015" Thick) | 19 | 399264 | Bushing/Seal Kit | 219 | 494845 | Gear-Governor |
| | | Note | 20 | ★291675 | Seal-Oil | | | Note |
| | ★272219 | Gasket-Crankcase (.005" Thick) | 22 | 93585 | Screw-Hex. | | | 391737 Gear-Gov. (Used Before Code Date 91061000). |
| | ★272220 | Gasket-Crankcase (.009" Thick) | | | Note | 220 | 221551 | Washer-Thrust |
| 15 | 94239 | Plug-Oil Drain | 46 | 212897 | Gear-Cam | 751 | 22355 | Washer-Seal |
| 15A | 94916 | Plug-Oil Drain (For Ren Hole) | 81 | 222407 | Retainer-Counterweight | 752 | 93554 | Plug |
| | | | | | | 758 | 491787 | Counterweight |

★ Included in Gasket Set-Part No. 492653.
● Included in Carburetor Kit-Part No. 394989.

∅ Included in Valve Overhaul Gasket Set-Part No. 498537.

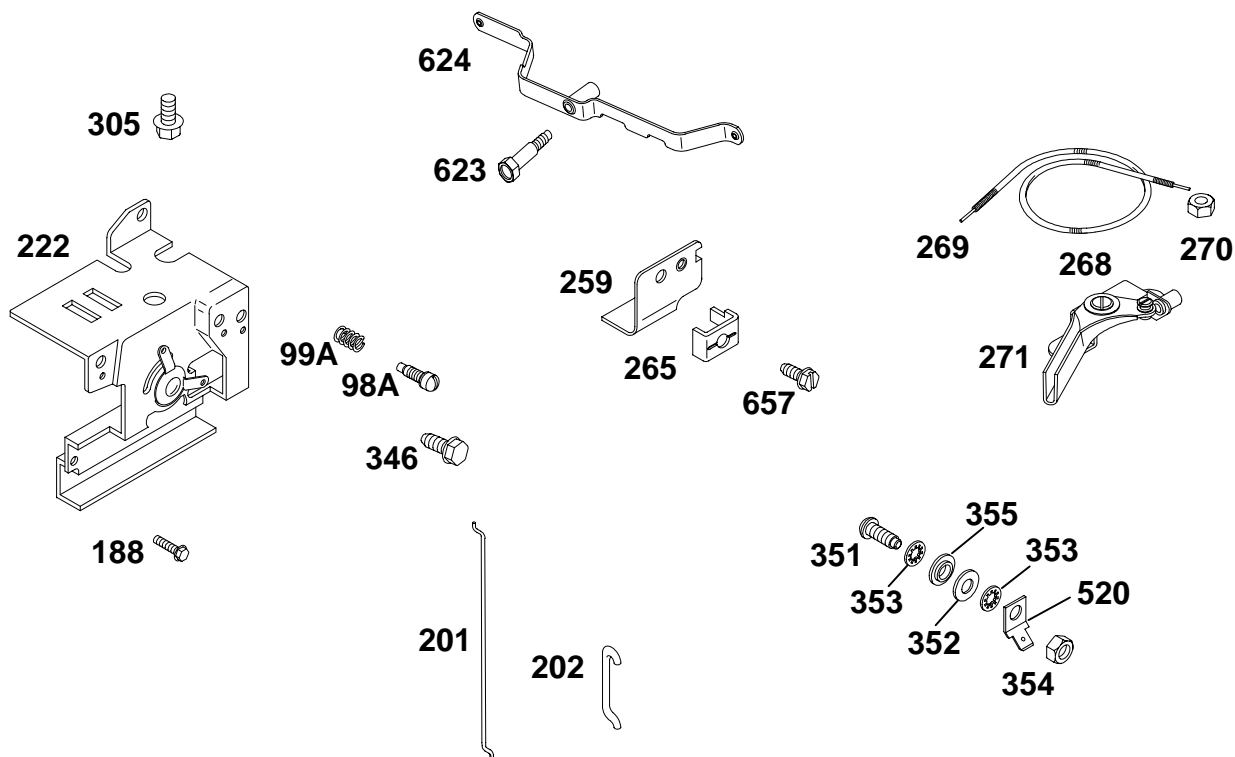


| REF. NO. | PART NO. | DESCRIPTION | REF. NO. | PART NO. | DESCRIPTION | REF. NO. | PART NO. | DESCRIPTION |
|----------|----------|----------------------|----------|----------|---------------------------------------|----------|----------|----------------------|
| 52 | 270972 | Gasket-Intake | 131 | 392278 | Shaft-Throttle | 244 | 230318 | Connector-Hose |
| 54 | 93812 | Screw-Phillips | 133 | 299707 | Float-Carb | 391 | 280162 | Body-Pump |
| 90 | 392690 | Carburetor | 136 | 221995 | Bowl-Float | 392 | ●261395 | Spring-Pump |
| 94 | 393541 | Valve-Idle Adjust | 137 | ●270511 | Gasket-Float Bowl | 394 | 272638 | Diaphragm-Pump |
| 95 | 93499 | Screw-Choke/Throttle | 138 | 222014 | Washer | 432 | ●221377 | Cap-Spring |
| 98 | 93860 | Screw-Slotted Hex. | 141 | 392280 | Shaft-Choke | 434 | 223688 | Cover-Diaphragm |
| 99 | 260575 | Spring-Friction | 147 | ●231323 | Nozzle-Carb | 435 | 93829 | Screw-Slotted Hex. |
| 104 | ●231435 | Pin-Float Hinge | 163 | ●280199 | Gasket-Air Cleaner | 601A | 95162 | Clamp-Hose |
| 105 | ●394681 | Kit-Needle Seat | 186 | 67218 | Connector-Hose | 617 | ●270920 | Seal-O-Ring |
| 108 | 222010 | Valve-Choke | 187 | 393815 | Pipe-Fuel (Cut to Required Length) | 625 | 392285 | Manifold-Intake |
| 116 | ●280203 | Seal-O-Ring | 198 | 293934 | Screw-Shut-Off | 858 | ●270989 | Diaphragm-Pump |
| 117 | 231101 | Screw-Bowl Mounting | 199 | 297563 | Valve-Shut-Off | 859 | ●271025 | Gasket-Fuel Pump |
| 118 | ●393542 | Valve-Needle | 240 | 394358 | Filter-Fuel | 860 | ●261358 | Spring-Diaphragm |
| 126 | 393543 | Body-Carb Assy | | | | 917 | 223271 | Handle-Shutoff Valve |
| 130 | 221939 | Valve-Throttle | | | | | | |

★ Included in Gasket Set-Part No. 492653.
 ● Included in Carburetor Kit-Part No. 394989.

∅ Included in Valve Overhaul Gasket Set-Part No. 498537.

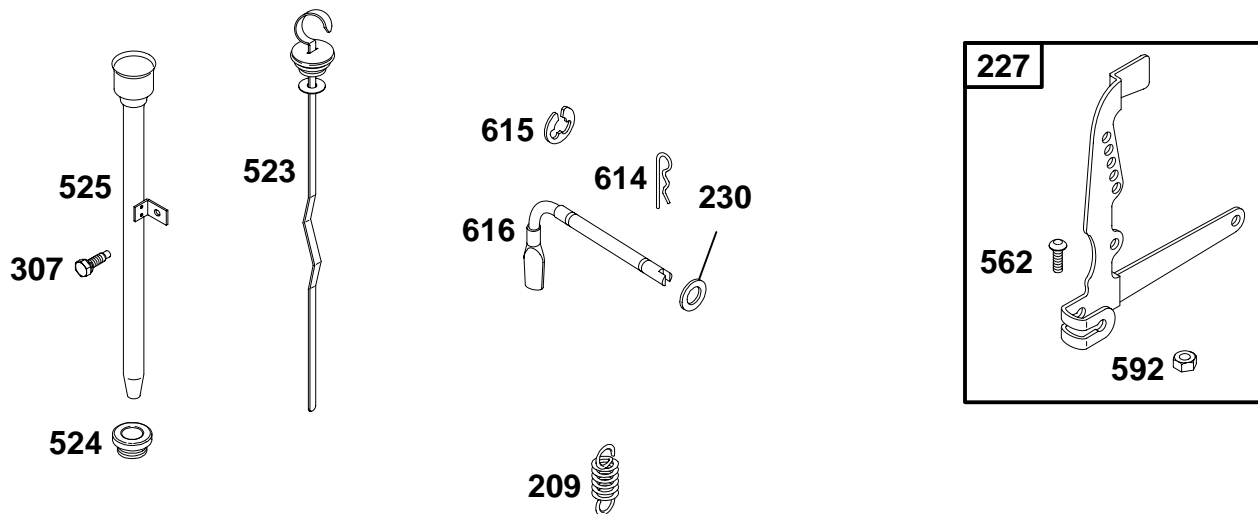
255400 to 255499



| REF. NO. | PART NO. | DESCRIPTION | REF. NO. | PART NO. | DESCRIPTION | REF. NO. | PART NO. | DESCRIPTION |
|----------|----------|--|----------|----------|--|-------------------------|----------|---|
| 98A | 91920 | Screw–Slotted | 269 | 26633 | Wire–Control (Cut to Required Length) | 520 | 93722 | Terminal–Ground |
| 99A | 26157 | Spring–Friction | 270 | 63426 | Locknut–Casing | 623 | 231520 | Screw–Shoulder (Used After Code Date 8712300). |
| 188 | 94627 | Screw–Hex. | 271 | 290568 | Lever–Control | ————— Note ————— | | |
| 201 | 261338 | Link–Mech. Gov. | 305 | 94786 | Screw–Hex. | 624 | 392292 | Lever–Linkage |
| 202 | 261339 | Link–Throttle | 346 | 94896 | Screw–Hex. | 657 | 93496 | Screw–Slotted Hex. |
| 222 | 392291 | Bracket–Control | 351 | 93735 | Screw–Slotted | | | |
| 259 | 222611 | Bracket–Casing Clamp | 352 | 66068 | Washer–Fiber | | | |
| 265 | 221535 | Clamp–Casing | 353 | 92791 | Washer–Lock | | | |
| 268 | 65616 | Casing–Wire (72" Long, Cut to Required Length) | 354 | 90576 | Nut–Hex. | | | |
| | | | 355 | 66554 | Washer–Fiber | | | |

★ Included in Gasket Set–Part No. 492653.
● Included in Carburetor Kit–Part No. 394989.

∅ Included in Valve Overhaul Gasket Set–Part No. 498537.

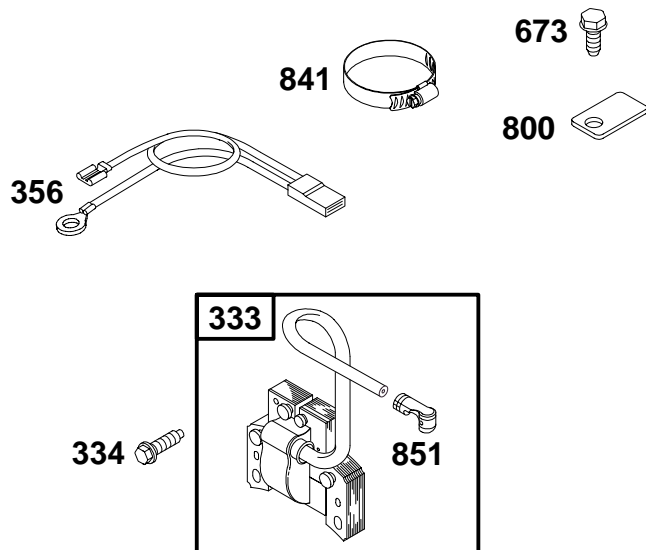


| REF. NO. | PART NO. | DESCRIPTION | REF. NO. | PART NO. | DESCRIPTION | REF. NO. | PART NO. | DESCRIPTION |
|----------|----------|---------------------------------------|----------|----------|----------------|----------|----------|---------------------|
| 209 | 260871 | Spring—Governor | 230 | 94927 | Washer—Flat | 562 | 92613 | Bolt—Governor Lever |
| | | Note | 307 | 94930 | Screw—Hex. | 592 | 231082 | Nut—Hex. |
| | | 261126 Spring—Gov. (Governed Idle) | 523 | 490665 | Dipstick | 614 | 93306 | Pin—Cotter |
| 227 | 392707 | Lever—Governor | 524 | ★281370 | Seal—Fill Tube | 615 | 93307 | Retainer E—Ring |
| | | | 525 | 496517 | Tube—Oil Fill | 616 | 495241 | Crank—Governor |


★ Included in Gasket Set—Part No. 492653.
● Included in Carburetor Kit—Part No. 394989.

∅ Included in Valve Overhaul Gasket Set—Part No. 498537.

255400 to 255499



| DUAL CIRCUIT | TRI-CIRCUIT |
|-----------------------|-----------------------|
| SEE FLYWHEEL ASSEMBLY | SEE FLYWHEEL ASSEMBLY |
| 474 877 | 474A 877A |
| 878 | 814 |

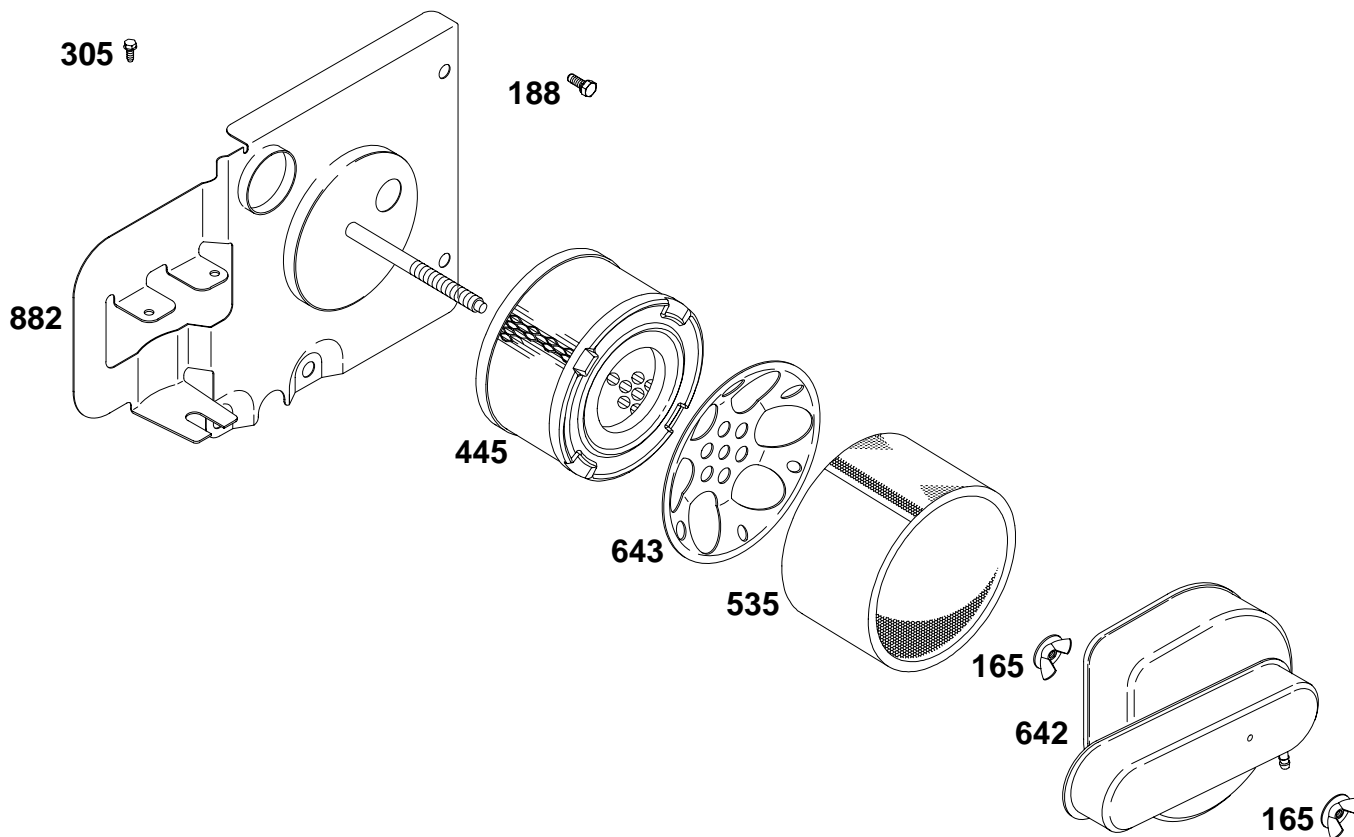
NOTE: ALL STATORS USE NO. 482 MOUNTING SCREW. 



| REF. NO. | PART NO. | DESCRIPTION | REF. NO. | PART NO. | DESCRIPTION | REF. NO. | PART NO. | DESCRIPTION |
|----------|----------|------------------|----------|----------|--------------------|----------|----------|--------------------|
| 333 | 398811 | Armature-Magneto | 482 | 93621 | Screw-Hex. | 851 | 493880 | Terminal-Cable |
| 334 | 94731 | Screw-Hex. | 673 | 94896 | Screw-Hex. | 877 | 393456 | Wire-Alternator |
| 356 | 491391 | Wire-Stop | 800 | 222095 | Retainer | 877 | 393537 | Wire-Alternator |
| 474 | 393474 | Alternator | 814 | 392606 | Harness-Alternator | 878 | 393362 | Harness-Alternator |
| 474A | 392595 | Alternator | 841 | 393514 | Clamp | 1054 | 280275 | Tie-Cable |

★ Included in Gasket Set-Part No. 492653.
● Included in Carburetor Kit-Part No. 394989.

∅ Included in Valve Overhaul Gasket Set-Part No. 498537.

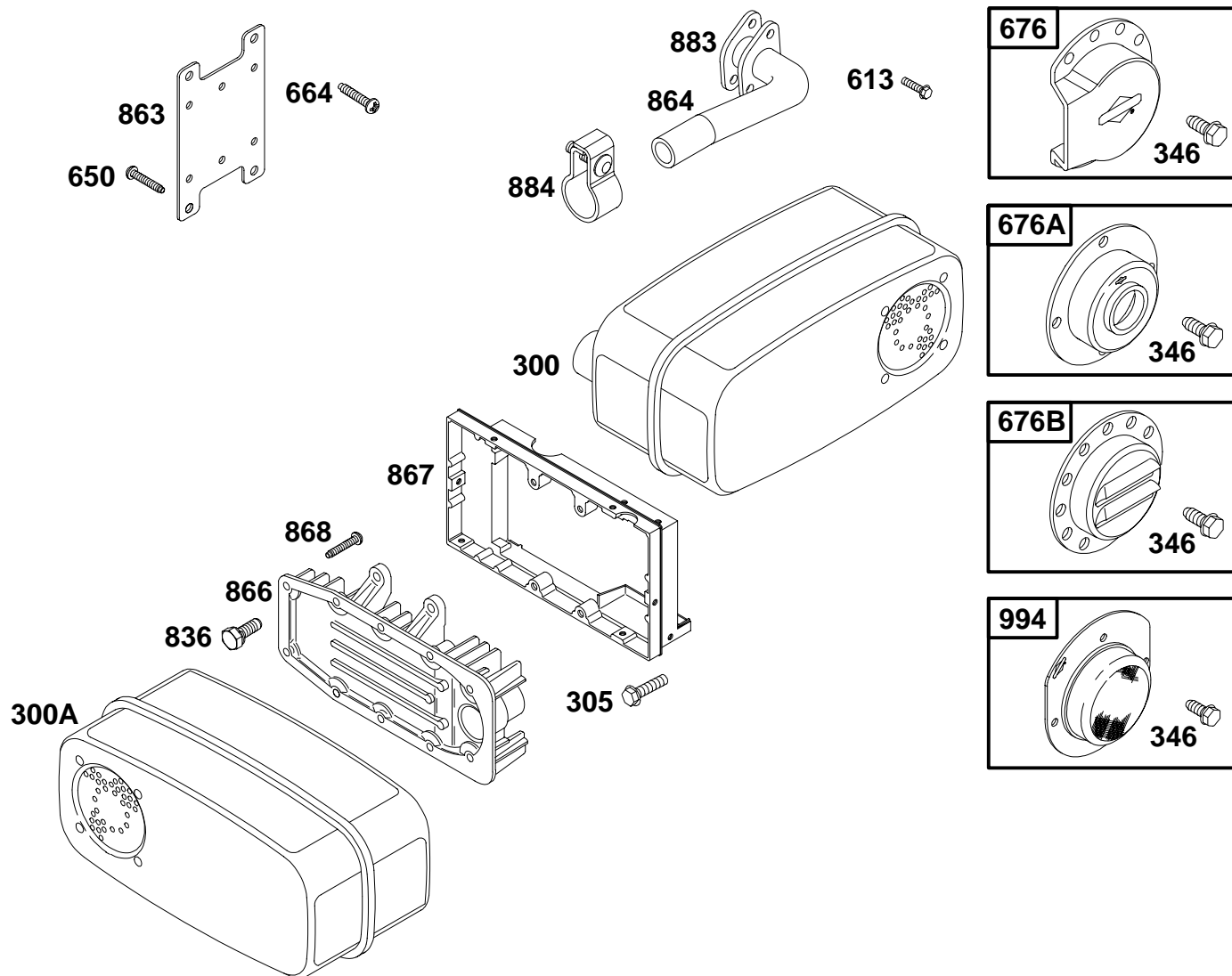


| REF. NO. | PART NO. | DESCRIPTION | REF. NO. | PART NO. | DESCRIPTION | REF. NO. | PART NO. | DESCRIPTION |
|----------|----------|-------------|----------|----------|---------------------|----------|----------|---------------------|
| 165 | 94289 | Nut-Wing | 445 | 392286 | Filter-A/C Cartridg | 643 | 222680 | Retainer-Air Filter |
| 188 | 94627 | Screw-Sem | 535 | 270973 | Filter-Pre Cleaner | 882 | 392289 | Retainer-Air Filter |
| 305 | 94786 | Screw-Hex. | 642 | 392288 | Cover-Air Cleaner | | | |

★ Included in Gasket Set-Part No. 492653.
 ● Included in Carburetor Kit-Part No. 394989.

∅ Included in Valve Overhaul Gasket Set-Part No. 498537.

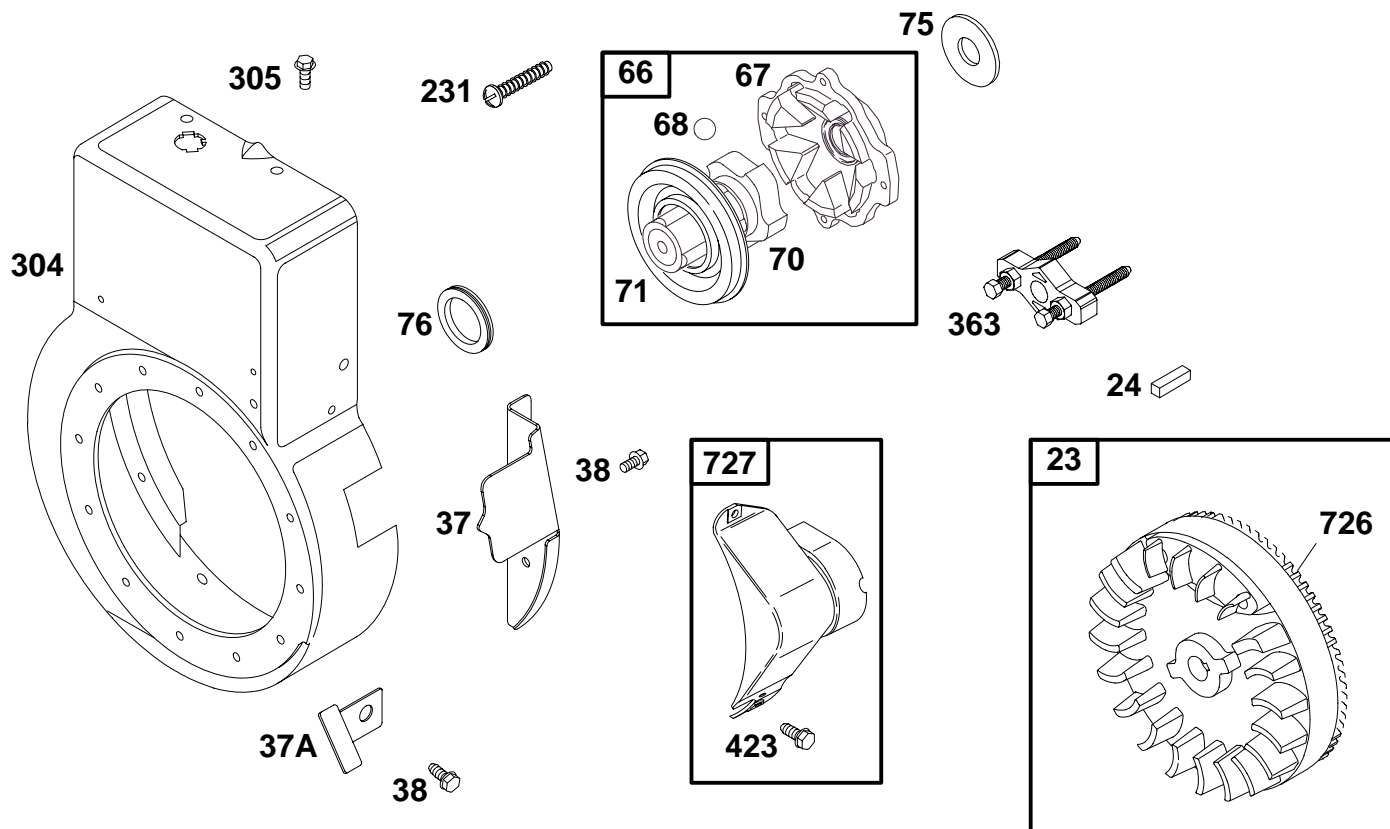
255400 to 255499



| REF. NO. | PART NO. | DESCRIPTION | REF. NO. | PART NO. | DESCRIPTION | REF. NO. | PART NO. | DESCRIPTION |
|----------|----------|-----------------|----------|----------|-------------------|----------|----------|----------------|
| 300 | 498984 | Muffler-Exhaust | 664 | 93872 | Screw-Hex. | 866 | 393551 | Body-Muffler |
| 300A | 393465 | Muffler-Exhaust | 676 | 393761 | Deflector-Muffler | 867 | 212235 | Frame-Shroud |
| 305 | 94786 | Screw-Hex. | 676A | 396903 | Deflector-Muffler | 868 | 93343 | Screw-Hex. |
| 346 | 94896 | Screw-Hex. | 676B | 397630 | Deflector-Muffler | 883 | Ø★272293 | Gasket-Exhaust |
| 346A | 93587 | Screw-Hex. | 836 | 93587 | Screw-Hex. | 884 | 392649 | Clamp |
| 613 | 93840 | Screw-Socket | 863 | 222692 | Bracket-Muffler | 994 | 392390 | Arrester-Spark |
| 650 | 93873 | Screw-Hex. | 864 | 494447 | Pipe-Exhaust | | | |

★ Included in Gasket Set-Part No. 492653.
 ● Included in Carburetor Kit-Part No. 394989.

Ø Included in Valve Overhaul Gasket Set-Part No. 498537.

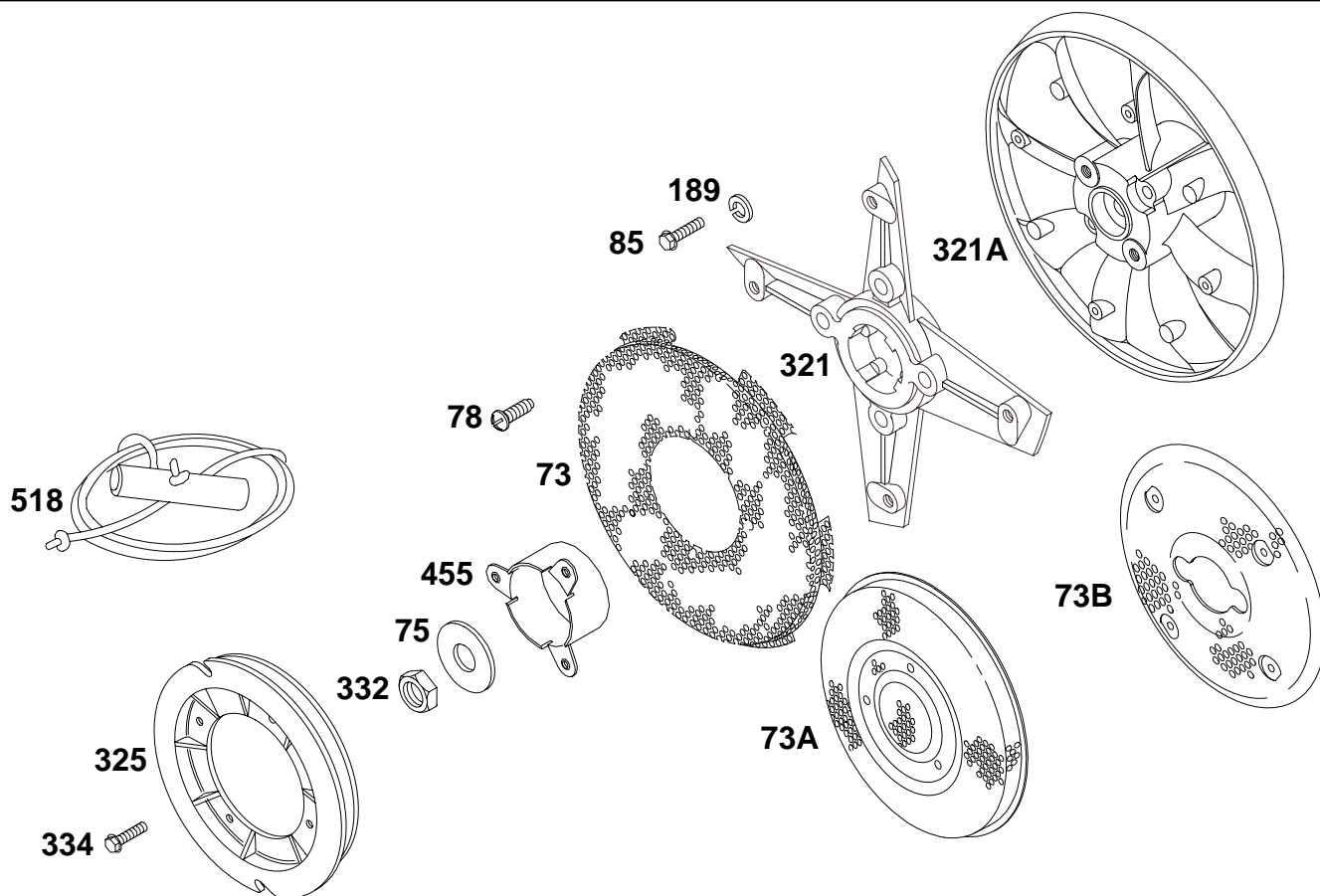


| REF. NO. | PART NO. | DESCRIPTION | REF. NO. | PART NO. | DESCRIPTION | REF. NO. | PART NO. | DESCRIPTION |
|----------|----------|--------------------|----------|----------|------------------------------|----------|----------|---|
| 23 | 391988 | Flywheel | 75 | 224061 | Washer-Flywheel | 305 | 94786 | Screw-Hex. |
| 24 | 222698 | Key-Flywheel | 76 | 68238 | Seal | 363 | 19203 | Flywheel Puller |
| 37 | 224886 | Guard-Flywheel | 231 | 93920 | Screw-Phillips | 423 | 94073 | Screw-Shoulder |
| 37A | 221968 | Guard-Flywheel | 304 | 393994 | Housing-Blower | 726 | 392134 | Gear-Ring (Includes Mounting Parts) |
| 38 | 94811 | Screw-Slotted Hex. | | | Note | 727 | 395405 | Cover-Starter Drive |
| 66 | 399671 | Clutch-Starter | | | 399844 Housing-Blower | | | |
| 67 | 394897 | Housing-Clutch | | | Used on Type No(s). 0134. | | | |
| 68 | 63770 | Ball-Clutch | | | | | | |
| 70 | 298799 | Ratchet-Clutch | | | | | | |
| 71 | 394506 | Cover-Ratchet | | | | | | |

★ Included in Gasket Set-Part No. 492653.
● Included in Carburetor Kit-Part No. 394989.

∅ Included in Valve Overhaul Gasket Set-Part No. 498537.

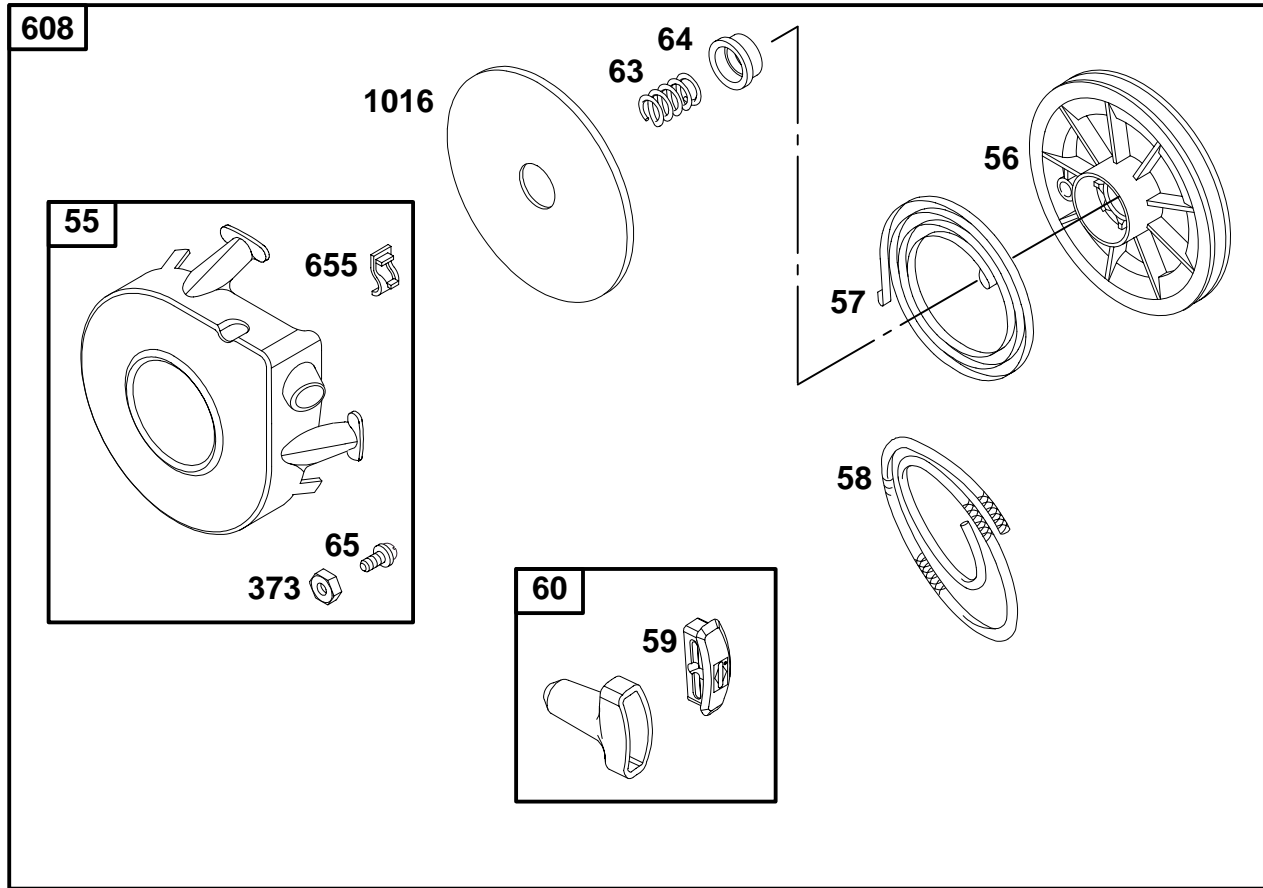
255400 to 255499



| REF. NO. | PART NO. | DESCRIPTION | REF. NO. | PART NO. | DESCRIPTION | REF. NO. | PART NO. | DESCRIPTION |
|----------|----------|---------------------------|----------|----------|---------------------------|----------|----------|----------------|
| 73 | 224874 | Screen-Rotating | 75 | 224061 | Washer-Flywheel | 189 | 90366 | Washer-Lock |
| 73A | 224517 | Screen-Rotating | 78 | 94626 | Screw-Phillips | 321 | 212159 | Fan-Booster |
| 73B | 222754 | Screen-Rotating | 85 | 91386 | Screw-Hex. | 321A | 212418 | Fan-Booster |
| | | Note | | | Note | 325 | 280457 | Pulley-Starter |
| | | 224779 Screen-Rotating | | | 92674 Screw-Hex. | 332 | 92284 | Nut-Flywheel |
| | | Used on Type No(s). 0130. | | | Used on Type No(s). 0130. | 334 | 94731 | Screw-Hex. |
| | | | | | | 455 | 222561 | Cup-Flywheel |
| | | | | | | 518 | 69932 | Rope-Starter |

★ Included in Gasket Set-Part No. 492653.
● Included in Carburetor Kit-Part No. 394989.

∅ Included in Valve Overhaul Gasket Set-Part No. 498537.

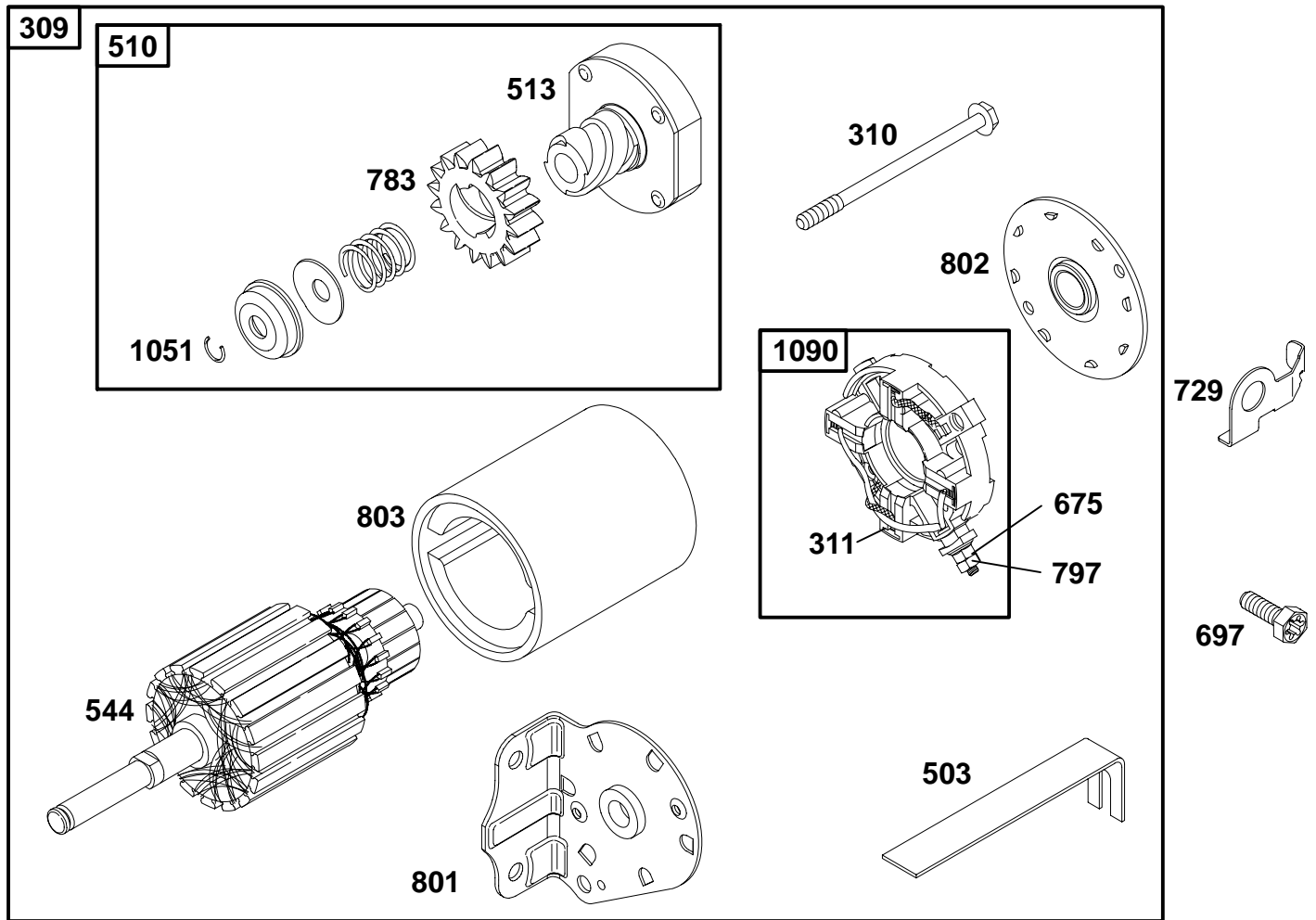


| REF. NO. | PART NO. | DESCRIPTION | REF. NO. | PART NO. | DESCRIPTION | REF. NO. | PART NO. | DESCRIPTION |
|----------|----------|------------------------------------|----------|----------|-------------------------|----------|----------|----------------|
| 55 | 393576 | Housing-Rewind Starter | 58 | 66894 | Rope-Starter (99" Long) | 65 | 94921 | Screw-Hex. |
| 56 | 295871 | Pulley-Starter (Includes 63" Rope) | 59 | 490653 | Insert-Grip | 373 | 94908 | Nut-Hex. |
| 57 | 490179 | Spring-Rewind Starter | 60 | 490652 | Grip-Starter Rope | 608 | 390391 | Starter-Rewind |
| | | | 63 | 260414 | Spring-Ratchet | 655 | 222598 | Anchor-Spring |
| | | | 64 | 281204 | Adapter-Spring | 1016 | 490817 | Spacer-Rewind |

★ Included in Gasket Set-Part No. 492653.
 ● Included in Carburetor Kit-Part No. 394989.

∅ Included in Valve Overhaul Gasket Set-Part No. 498537.

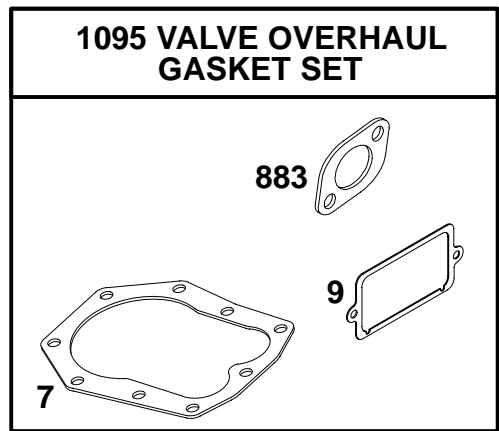
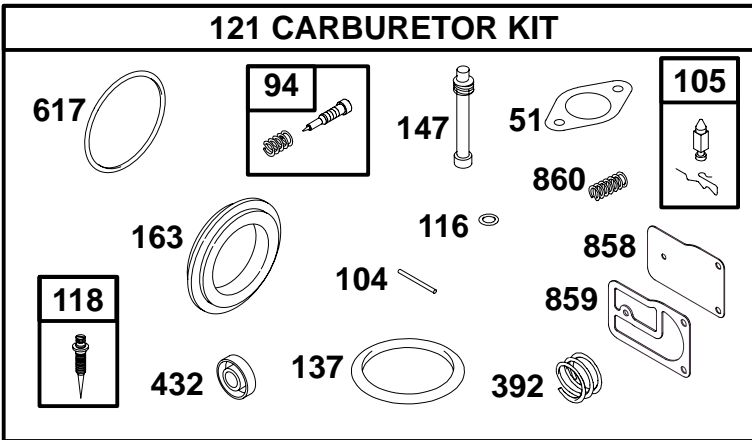
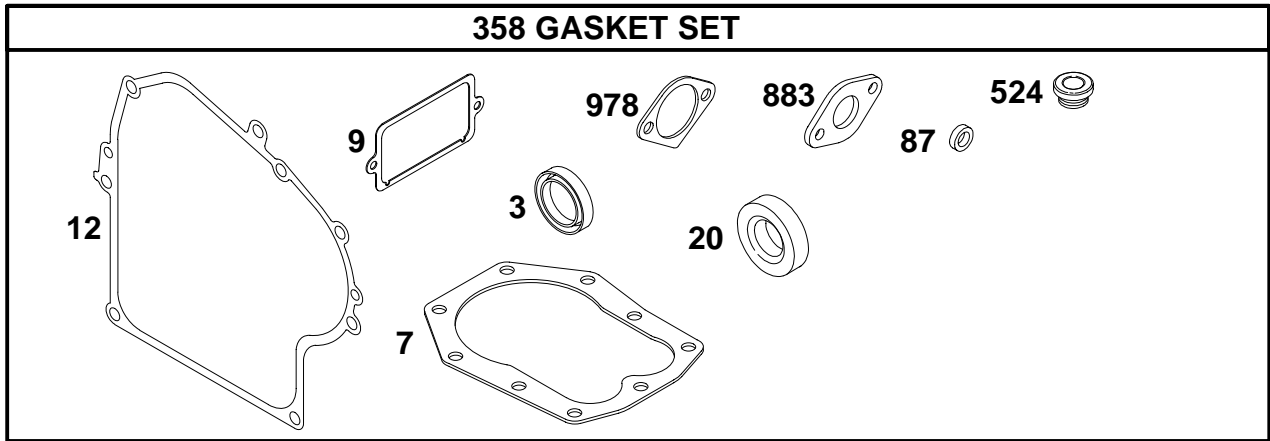
255400 to 255499



| REF. NO. | PART NO. | DESCRIPTION | REF. NO. | PART NO. | DESCRIPTION | REF. NO. | PART NO. | DESCRIPTION |
|----------|----------|---|----------|----------|---------------------------|----------|----------|--|
| 309 | 497401 | Motor-Starter | 675 | 225137 | Washer-Flat | 801 | 497626 | Cap-Drive |
| 310 | 95035 | Screw-Hex. | 697 | 94773 | Screw-Torx® Hex. | 802 | 497607 | Cap-End |
| 311 | 497608 | Brush Set | 729 | 225170 | Clip-Wire | 803 | | Housing-Starter (Replace Starter Motor) |
| 503 | 806000 | Strap-Starter | 783 | 693059 | Gear-Starter | 1051 | 263080 | Ring-Retaining |
| 510 | 497606 | Drive-Starter | 797 | 92278 | Nut (Starter Terminal) | 1090 | 497605 | Retainer-Brush |
| 513 | 398003 | Clutch-Drive | | | | | | |
| 544 | | Armature-Starter (Replace Starter Motor) | | | | | | |

★ Included in Gasket Set-Part No. 492653.
 ● Included in Carburetor Kit-Part No. 394989.

∅ Included in Valve Overhaul Gasket Set-Part No. 498537.



| REF. NO. | PART NO. | DESCRIPTION | REF. NO. | PART NO. | DESCRIPTION | REF. NO. | PART NO. | DESCRIPTION |
|----------|----------|---|----------|----------|---------------------|----------|----------|---------------------------|
| 3 | ★391086 | Seal-Oil | 20 | ★291675 | Seal-Oil | 358 | 492654 | Gasket Set |
| 7 | ∅★272164 | Gasket-Cylinder Head | 87 | ★491323 | Seal-Governor Shaft | 392 | ●261395 | Spring-Pump |
| 9 | ∅★27803 | Gasket-Breather | 94 | ●393541 | Valve-Idle Adjust | 432 | ●221377 | Cap-Spring |
| 12 | ★272125 | Gasket-Crankcase (.015" Thick) | 104 | ●231435 | Pin-Float Hinge | 524 | ★281370 | Seal-Fill Tube |
| | | Note | 105 | ●394681 | Kit-Needle Seat | 617 | ●270920 | Seal-O-Ring |
| | | ★272219 Gasket-Crankcase (.005" Thick) | 116 | ●280203 | Seal-O-Ring | 858 | ●270989 | Diaphragm |
| | | ★272220 Gasket-Crankcase (.009" Thick) | 118 | ●393542 | Valve-Needle | 859 | ●271025 | Gasket-Fuel Pump |
| | | | 121 | 393544 | Carburetor Kit | 860 | ●261358 | Spring-Diaphragm |
| | | | 137 | ●270511 | Gasket-Float Bowl | 883 | ∅★272293 | Gasket-Exhaust |
| | | | 147 | ●231323 | Nozzle-Carb. | 978 | ★271736 | Gasket |
| | | | 163 | ●280199 | Gasket-Air Cleaner | 1095 | 498537 | Gasket Set-Valve Overhaul |

★ Included in Gasket Set-Part No. 492653.
● Included in Carburetor Kit-Part No. 394989.

∅ Included in Valve Overhaul Gasket Set-Part No. 498537.