

256700 to 256799

Illustrated Parts List

Model Series

256700 to 256799

TYPE NUMBERS
0016, 0100, 0101,
0105 through 0117,
0119 through 0132,
0135, 0136, 0138,
4001, 4005.

TO FIND
THE CORRECT NUMBER OF THE PART YOU NEED:
FOLLOW THE INSTRUCTIONS BELOW

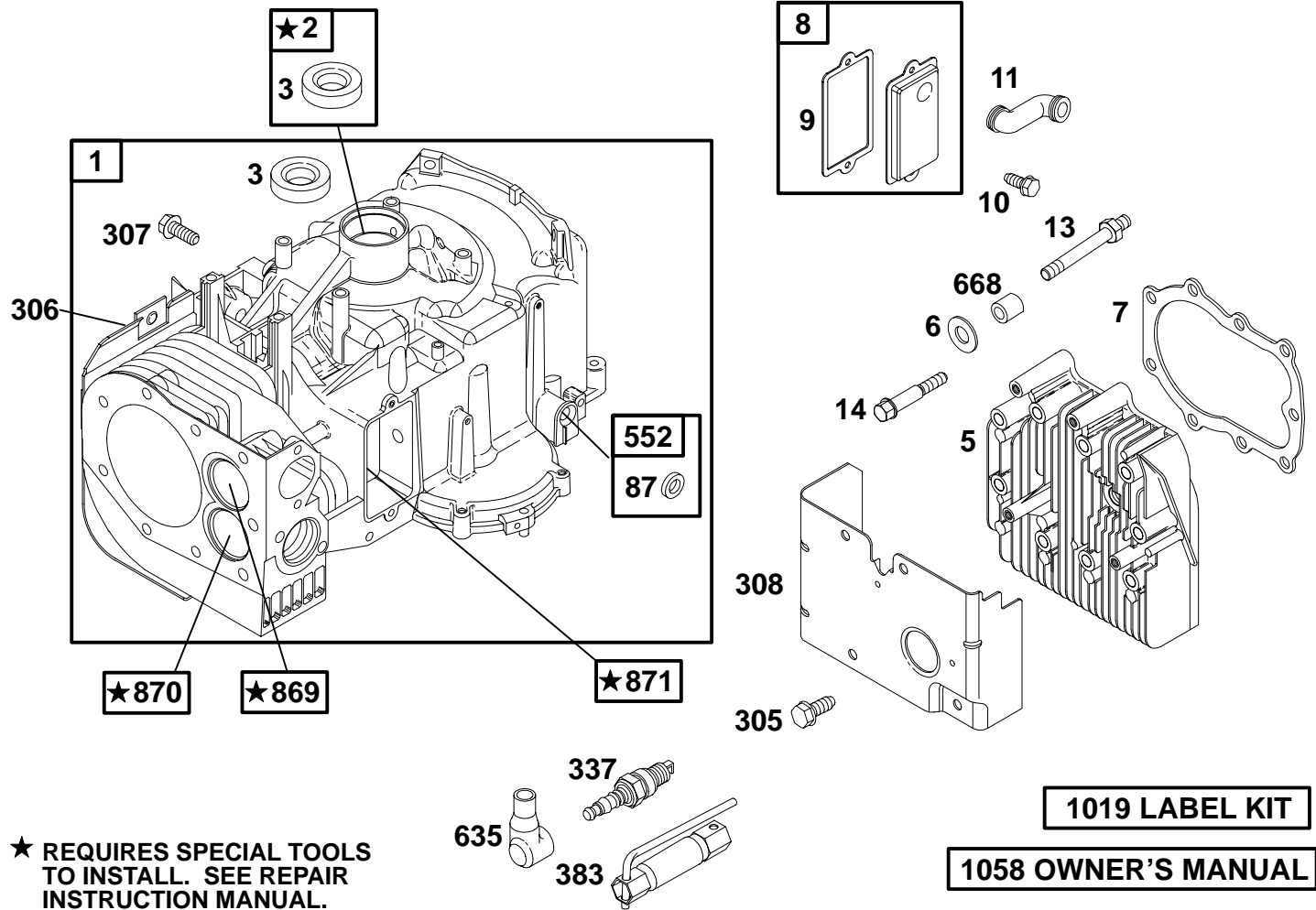
- A. Refer to Engine Model, Type and Code Number that is stamped on the blower housing of engine. Engine type numbers such as 0123 01 are listed only as 0123 in most instances. The two digits (01 or 02, etc.) to the right of the space may be required for more accurate parts identification in some instances. Select the Illustrated Parts List covering the correct Model Series and Type Number.
- B. Refer to the Illustrations and compare the original part with Illustration. The number next to the illustration is the Reference Number. Assemblies include all parts shown in frames. All parts shown in assembly frames having individual reference numbers can be purchased separately.
- C. After the Reference Number has been identified, refer to the Numerical text, where Reference and Primary Part Number are listed. **THE PRIMARY PART IS USED ON ALL TYPE NUMBERS EXCEPT THOSE TYPE NUMBERS UNDER "NOTE."**
- D. If a "Note" appears below the Primary Part Number, it means that this part differs from the Primary Part for certain types. If your Type number is listed under "Note," order the part referred to at the "Note."
- E. If your Engine Type Number does not appear after any part number listed under "Note," use the Primary Part Number.
- F. For Engine Type Numbers not covered by this book, check other Parts Lists having the same engine model or contact your source of supply.

PRINTED IN U.S.A.



COPYRIGHT by BRIGGS & STRATTON CORPORATION
All rights reserved. No part of this material may be reproduced or transmitted, in any form or by any means, electronic or mechanical, including photocopying, recording or by any information storage and retrieval system, without permission in writing from Briggs & Stratton Corporation.

256700 to 256799

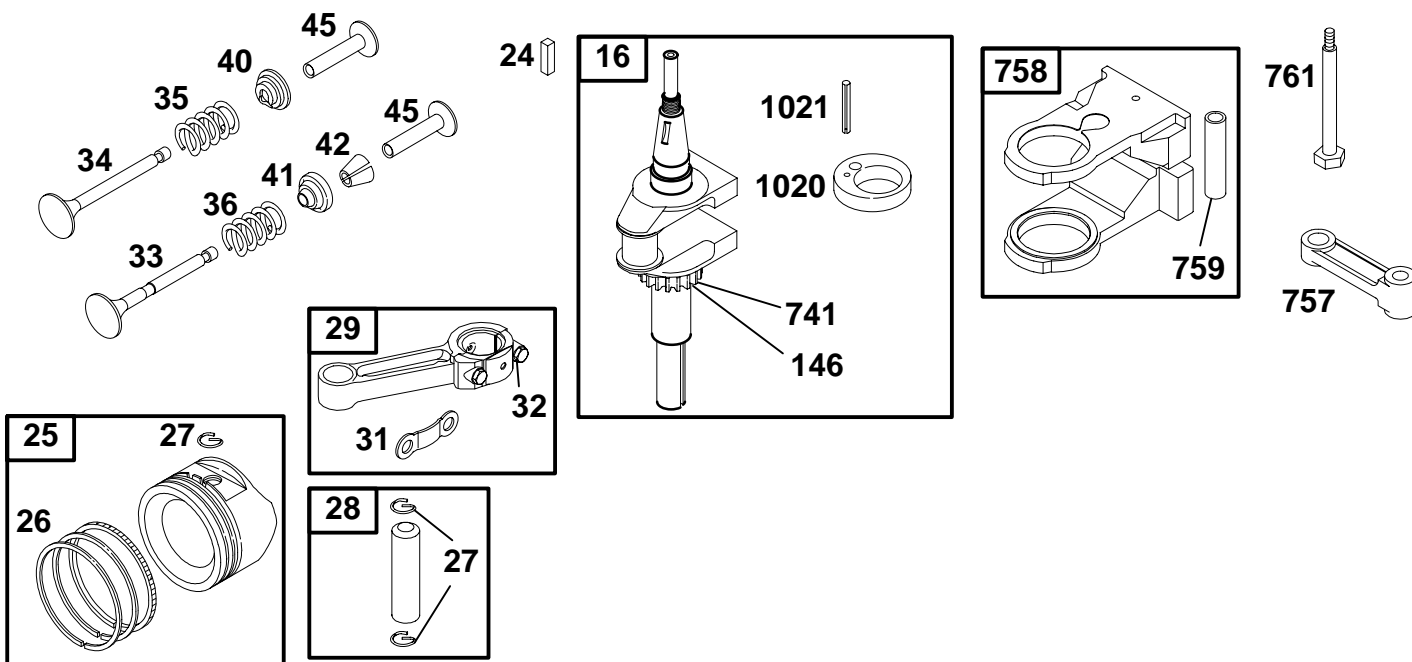


★ REQUIRES SPECIAL TOOLS TO INSTALL. SEE REPAIR INSTRUCTION MANUAL.

| REF. NO. | PART NO. | DESCRIPTION | REF. NO. | PART NO. | DESCRIPTION | REF. NO. | PART NO. | DESCRIPTION |
|----------|----------|---|----------|----------|--|----------|----------|--|
| 1 | 495729 | Cylinder Assembly | 14 | 94622 | Screw-Hex. | 668 | 231186 | Spacer Used on Type No(s). 0110. |
| 2 | 399265 | Bushing | 87 | ★491323 | Seal-Governor Shaft | 869 | 261463 | Seat-Valve (Intake) |
| 3 | ★391086 | Seal-Oil | 305 | 94786 | Screw-Hex. | 870 | 262924 | Seat-Valve (Exhaust) |
| 5 | 212914 | Head-Cylinder | 306 | 224882 | Shield-Cylinder | 871 | 261961 | Bushing-Guide (Exhaust Valve) |
| 6 | 22963 | Washer-Flat Used on Type No(s). 0109, 0110, 0120. | | | Note _____ 224542 Shield-Cylinder Used on Type No(s). 0105, 0123, 0125, 0130, 0135, 0138. | | | Note _____ 231218 Bushing-Guide (Intake Valve) (Brass) |
| 7 | ★Ø271866 | Gasket-Cylinder Head | 307 | 94930 | Screw-Hex. | 1019 | 491252 | Label Kit |
| 8 | 495735 | Breather Assembly Note _____ 495734 Breather Assembly Used on Type No(s). 0123. | 308 | 224897 | Cover-Cylinder | 1058 | 270862 | Owner's Manual |
| 9 | ★Ø27803 | Gasket-Breather | 337 | 298809 | Plug-Spark Note _____ 802592 Plug-Spark (Resistor Type) | | | |
| 10 | 94621 | Screw-Hex. | 383 | 89838 | Wrench-Spark Plug | | | |
| 11 | 280100 | Tube-Breather | 552 | 491986 | Bushing-Governor Crank | | | |
| 13 | 94776 | Stud-Hex. Drive Used on Type No(s). 0110, 0117, 0120. | 635 | 66538 | Boot-Spark Plug | | | |

★ Included in Gasket Set-Part Number 393411.
● Included in Carburetor Kit-Part Number 394698.

Ø Included in Valve Overhaul Gasket Set-Part No. 498539.



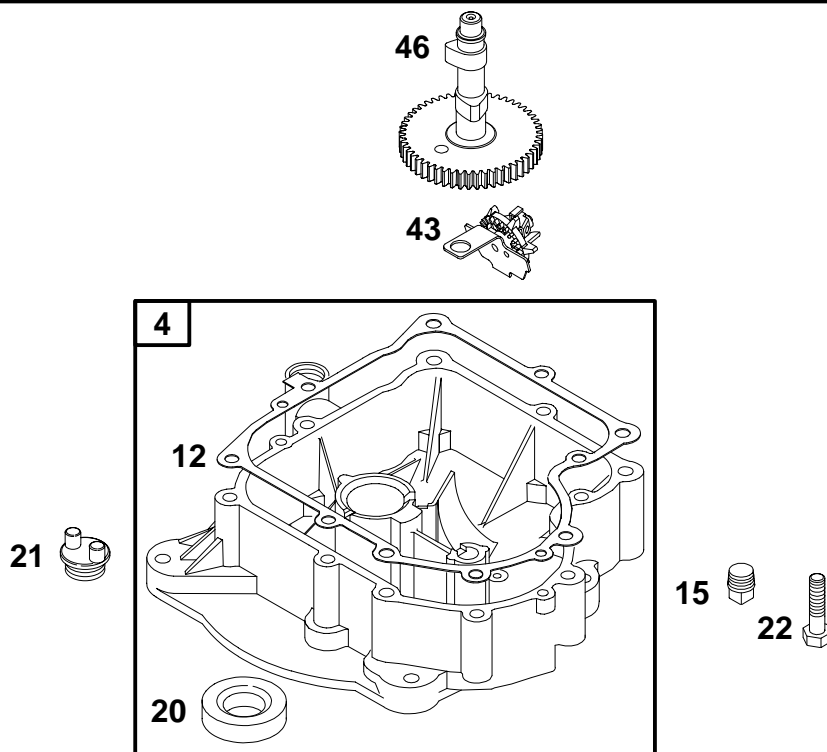
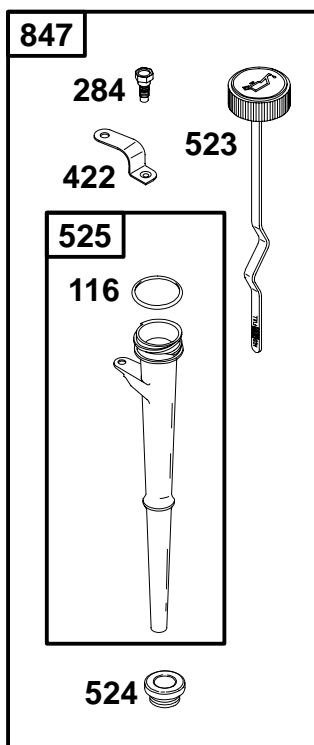
| REF. NO. | PART NO. | DESCRIPTION | REF. NO. | PART NO. | DESCRIPTION | REF. NO. | PART NO. | DESCRIPTION |
|----------|----------|---|----------|----------|---|----------|----------|----------------------|
| 16 | 498994 | Crankshaft Note 498993 Crankshaft (Used Before Code Date 88071900 and After Code Date 88100300). Used on Type No(s). 0107. | 26 | 391780 | Ring Set (Standard) Note 392331 Ring Set (Chrome Standard) 391781 Ring Set (.010" O.S.) 391782 Ring Set (.020" O.S.) 391783 Ring Set (.030" O.S.) | 31 | 222299 | Lock-Rod Screw |
| 24 | 222698 | Key-Flywheel | 27 | 260924 | Lock-Piston Pin | 32 | 95017 | Screw-Connecting Rod |
| 25 | 394661 | Piston Assembly (Standard) Note 394662 Piston Assy. (.010" O.S.) 394663 Piston Assy. (.020" O.S.) 394664 Piston Assy. (.030" O.S.) | 28 | 299691 | Pin-Piston (Standard) Note 391286 Pin-Piston (.050" O.S.) | 33 | 261185 | Valve-Exhaust |
| | | | 29 | 490348 | Rod-Connecting (Standard) Note 490469 Rod-Conn. (.020" Undersize) | 34 | 261462 | Valve-Intake |
| | | | | | | 35 | 65906 | Spring-Valve |
| | | | | | | 36 | 26828 | Spring-Valve |
| | | | | | | 40 | 221596 | Retainer-Valve |
| | | | | | | 41 | 292260 | Retainer-Valve |
| | | | | | | 42 | 494553 | Keeper-Valve |
| | | | | | | 45 | 262248 | Tappet-Valve |
| | | | | | | 146 | 94196 | Key-Timing |
| | | | | | | 741 | 262932 | Gear-Timing |
| | | | | | | 757 | 213998 | Link-Counterweight |
| | | | | | | 758 | 391373 | Counterweight |
| | | | | | | 759 | 298909 | Pin-Counterweight |
| | | | | | | 761 | 94593 | Screw-Hex. |
| | | | | | | 1020 | 261242 | Eccentric |
| | | | | | | 1021 | 94853 | Pin-Retainer |

★ Included in Gasket Set-Part Number 393411.

⊘ Included in Valve Overhaul Gasket Set-Part No. 498539.

● Included in Carburetor Kit-Part Number 394698.

256700 to 256799

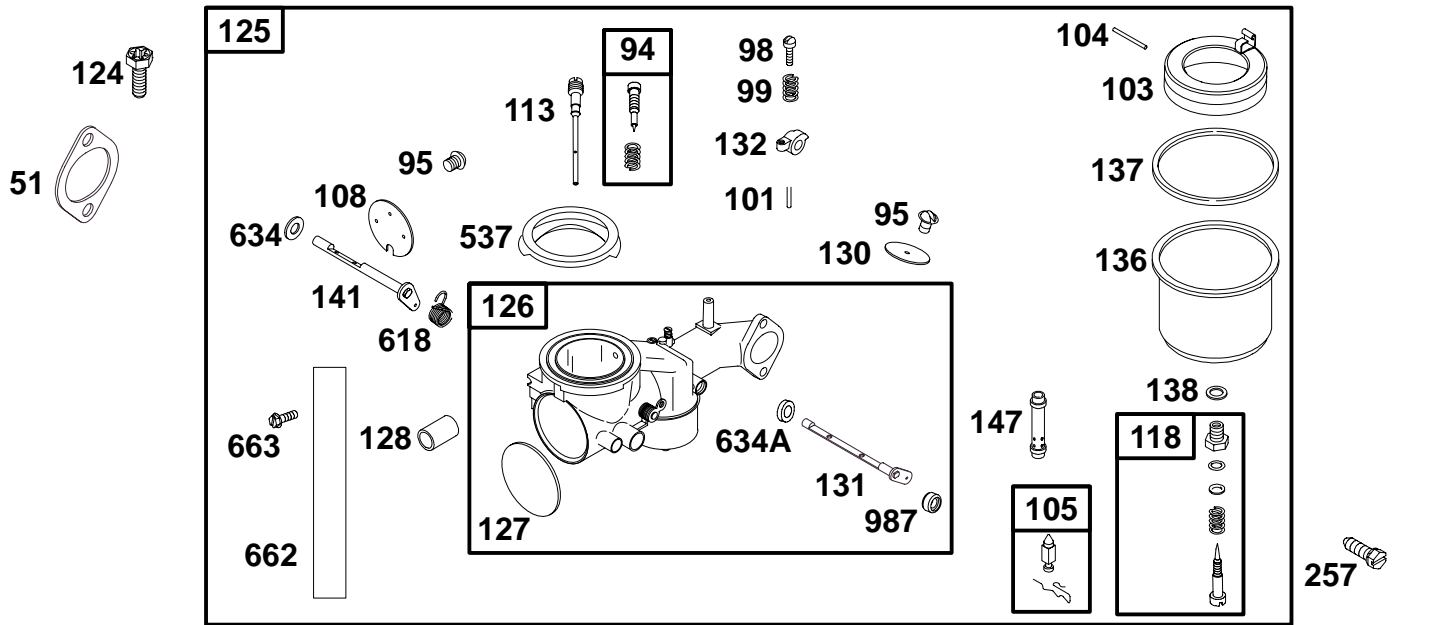


| REF. NO. | PART NO. | DESCRIPTION | REF. NO. | PART NO. | DESCRIPTION | REF. NO. | PART NO. | DESCRIPTION |
|----------|----------|---|----------|----------|----------------------|----------|----------|------------------------|
| 4 | 391784 | Sump-Engine | 15 | 94239 | Plug-Oil Drain | 284 | 94874 | Screw-Hex. |
| 12 | ★271702 | Gasket-Crankcase (.015" Thick, Standard) | 20 | ★291675 | Seal-Oil | 422 | 224872 | Bracket-Oil Fill |
| | | Note | 21 | 66768 | Cap-Oil Fill | 523 | 495229 | Dipstick |
| | | ★270915 Gasket-Crankcase (.005" Thick) | 22 | 93585 | Screw-Hex. | 524 | ★281370 | Seal-Fill Tube |
| | | ★270916 Gasket-Crankcase (.009" Thick) | 43 | 490815 | Governor/Oil Slinger | 525 | 280134 | Tube-Oil Fill |
| | | | 46 | 212897 | Gear-Cam | 847 | 392067 | Dipstick/Tube Assembly |
| | | | 116 | 270920 | Seal-O-Ring | | | |

★ Included in Gasket Set-Part Number 393411.

● Included in Carburetor Kit-Part Number 394698.

∅ Included in Valve Overhaul Gasket Set-Part No. 498539.



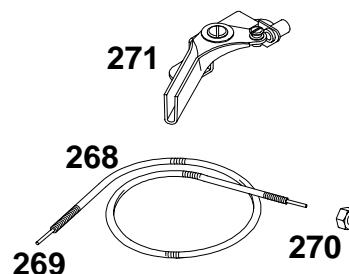
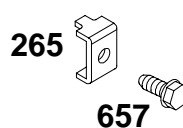
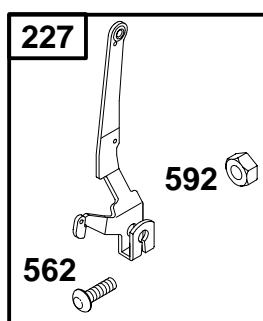
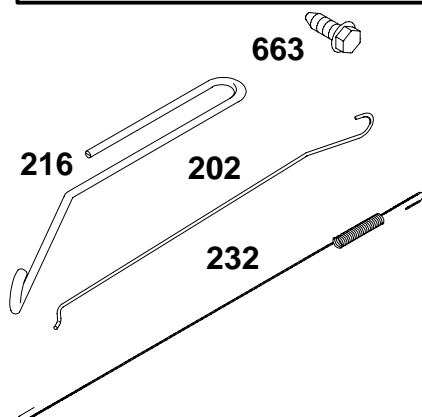
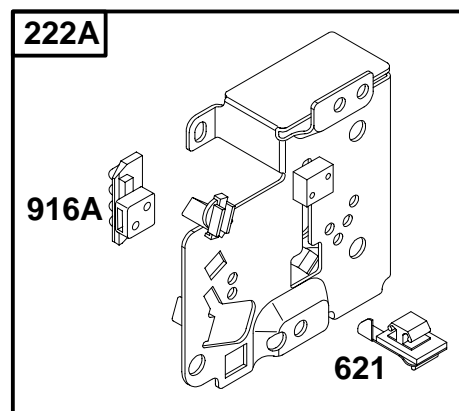
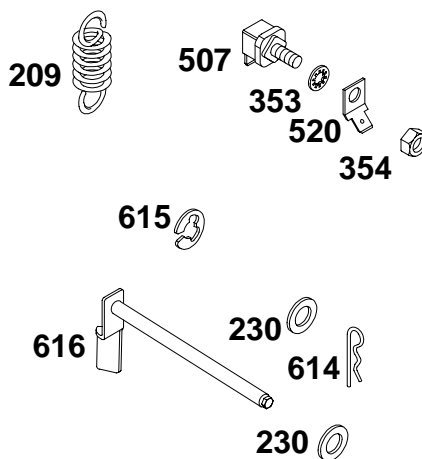
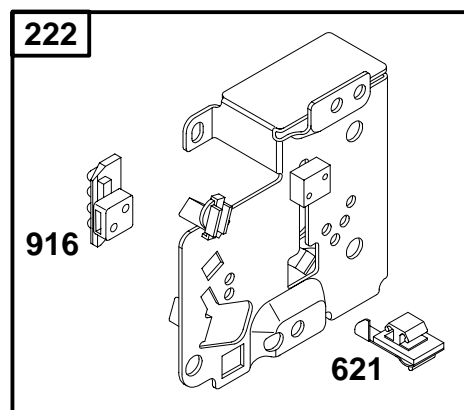
| REF. NO. | PART NO. | DESCRIPTION | REF. NO. | PART NO. | DESCRIPTION | REF. NO. | PART NO. | DESCRIPTION |
|----------|----------|---|----------|----------|---|----------|----------|---------------------|
| 51 | ★272554 | Gasket—Carb. Mounting | 126 | 490473 | Body Assembly—Upper | 147 | ●231323 | Nozzle—Carburetor |
| 94 | ●292681 | Kit—Idle Mixture | | | Note | 257 | 93543 | Screw—Slotted |
| 95 | 93499 | Screw—Choke/Throttle | | | 391787 | | ●★270853 | Gasket—Air Cleaner |
| 98 | 91920 | Screw—Slotted | | | Body | 618 | 261116 | Spring |
| 99 | 26157 | Spring—Friction | | | Assembly—Upper | 634 | 270382 | Washer |
| 101 | 93043 | Pin—Throttle Lever | | | Used on Type No(s). 0110, 0119, 0120, 0126, 0130. | 634A | 271853 | Seal—Throttle Shaft |
| 103 | 299707 | Float—Carburetor | 127 | ●221997 | Plug—Welch | 662 | 224440 | Strap |
| 104 | ●231435 | Pin—Float Hinge | 128 | 213115 | Venturi—Carburetor | 663 | 93572 | Screw—Hex. |
| 105 | ●394681 | Kit—Needle/Seat (Pump Feed) | 130 | 222433 | Valve—Throttle | 987 | 398970 | Seal—Throttle Shaft |
| 108 | 222010 | Valve—Choke | 131 | 491006 | Throttle Shaft Kit | | | |
| 113 | ●299740 | Nozzle—Carburetor | 132 | 211712 | Stop—Throttle | | | |
| 118 | ●396568 | Valve—High Speed | 136 | 221995 | Bowl—Float | | | |
| 124 | 94913 | Screw—Torx® Hex. | 137 | ●270511 | Gasket—Float Bowl | | | |
| 125 | 491604 | Carburetor (Choke A Matic®) | 138 | ●222014 | Washer | | | |
| | | Note | 141 | 390684 | Shaft—Choke (Choke A Matic®) | | | |
| | | 491562 Carburetor (Choke A Matic®) Used on Type No(s). 0110, 0119, 0120, 0126, 0130. | | | Note | | | |
| | | 491602 Carburetor (Remote/Manual Choke) Used on Type No(s). 0100, 0101, 0105, 0125, 0135, 0138. | | | 299647 Shaft—Choke (Remote/Manual Choke) | | | |

★ Included in Gasket Set—Part Number 393411.

⊘ Included in Valve Overhaul Gasket Set—Part No. 498539.

● Included in Carburetor Kit—Part Number 394698.

256700 to 256799

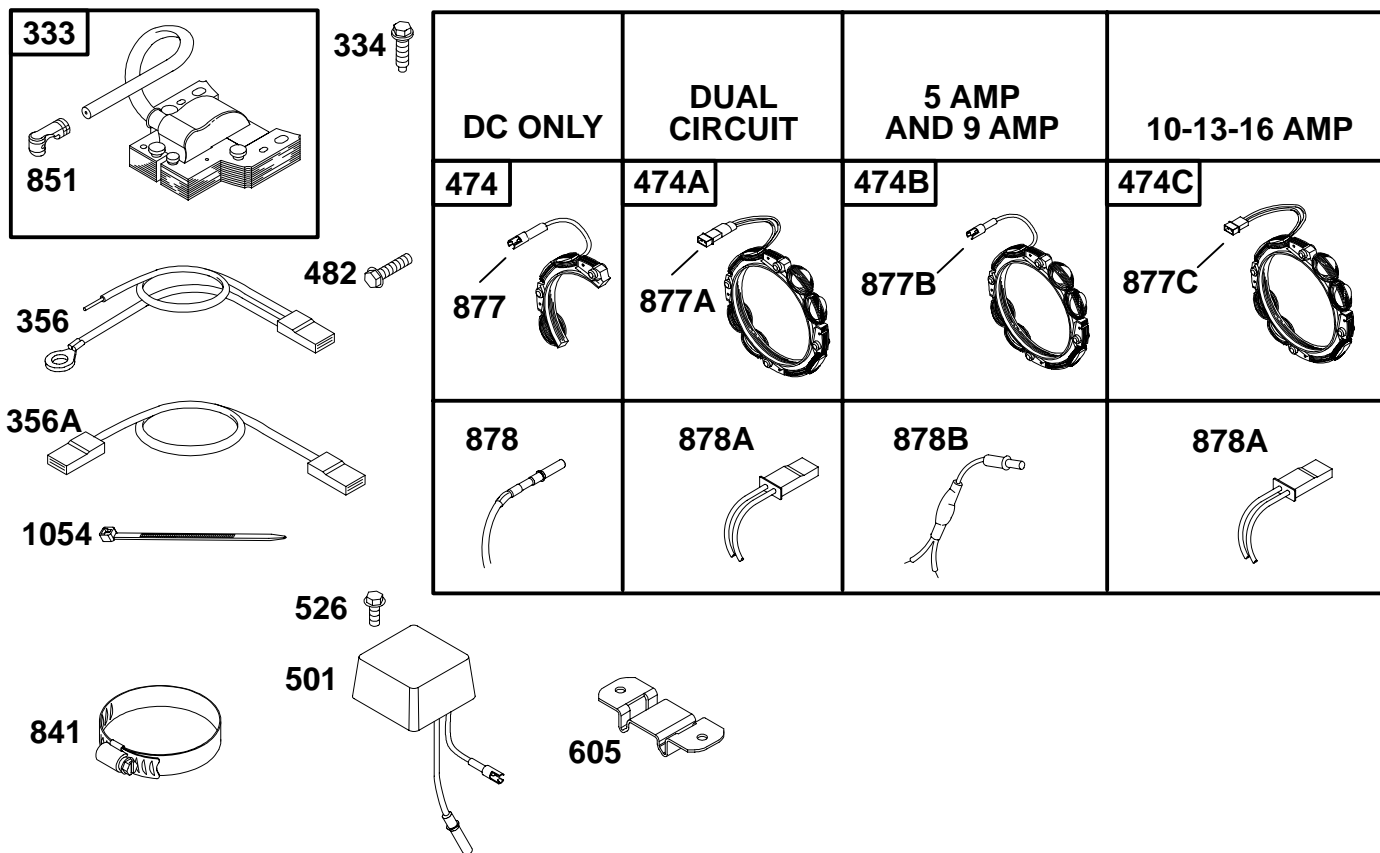


| REF. NO. | PART NO. | DESCRIPTION | REF. NO. | PART NO. | DESCRIPTION | REF. NO. | PART NO. | DESCRIPTION |
|----------|----------|---|----------|----------|---------------------------------------|----------|----------|---------------------|
| 202 | 262348 | Link—Mechanical Gov. | 216 | 261610 | Link—Choke | 353 | 92791 | Washer—Lock |
| 209 | 260871 | Spring—Governor | 222 | 491594 | Bracket—Control | 354 | 90576 | Nut—Hex. |
| | | Note _____ | 222A | 491593 | Bracket—Control | 507 | 398525 | Insulator |
| | 260695 | Spring—Governor | | | Used on Type No(s). 0116, 0133. | 520 | 93722 | Terminal—Ground |
| | | Used on Type No(s). 0105, 0108, 0109, 0110, 0112, 0119, 0123, 0125, 0126, 0130, 0131, 0135, 0138, 4005. | 227 | 490927 | Lever—Governor | 562 | 92613 | Bolt—Governor Lever |
| | 261126 | Spring—Governor | 230 | 94742 | Washer | 592 | 231082 | Nut—Hex. |
| | | Used on Type No(s). 0107, 0127, 0128, 0129. | 232 | 260584 | Spring—Link | 614 | 93306 | Pin—Cotter |
| | 261130 | Spring—Governor | 265 | 221535 | Clamp—Casing | 615 | 93307 | Retainer |
| | | Used on Type No(s). 0122. | 268 | 65616 | Casing—Wire (Cut to Required Length) | 616 | 495157 | Crank—Governor |
| | 260902 | Spring—Governor | 269 | 26633 | Wire—Control (Cut to Required Length) | 621 | 396847 | Switch—Stop |
| | | Used on Type No(s). 0117, 0120. | 270 | 63426 | Locknut—Casing | 657 | 94906 | Screw—Slotted Hex. |
| | | | 271 | 290568 | Lever—Control | 663 | 94929 | Screw—Hex. |
| | | | | | | 916 | 280324 | Rack—Gov. Gear |
| | | | | | | 916A | 280321 | Rack—Gov. Gear |

★ Included in Gasket Set—Part Number 393411.

● Included in Carburetor Kit—Part Number 394698.

⊘ Included in Valve Overhaul Gasket Set—Part No. 498539.



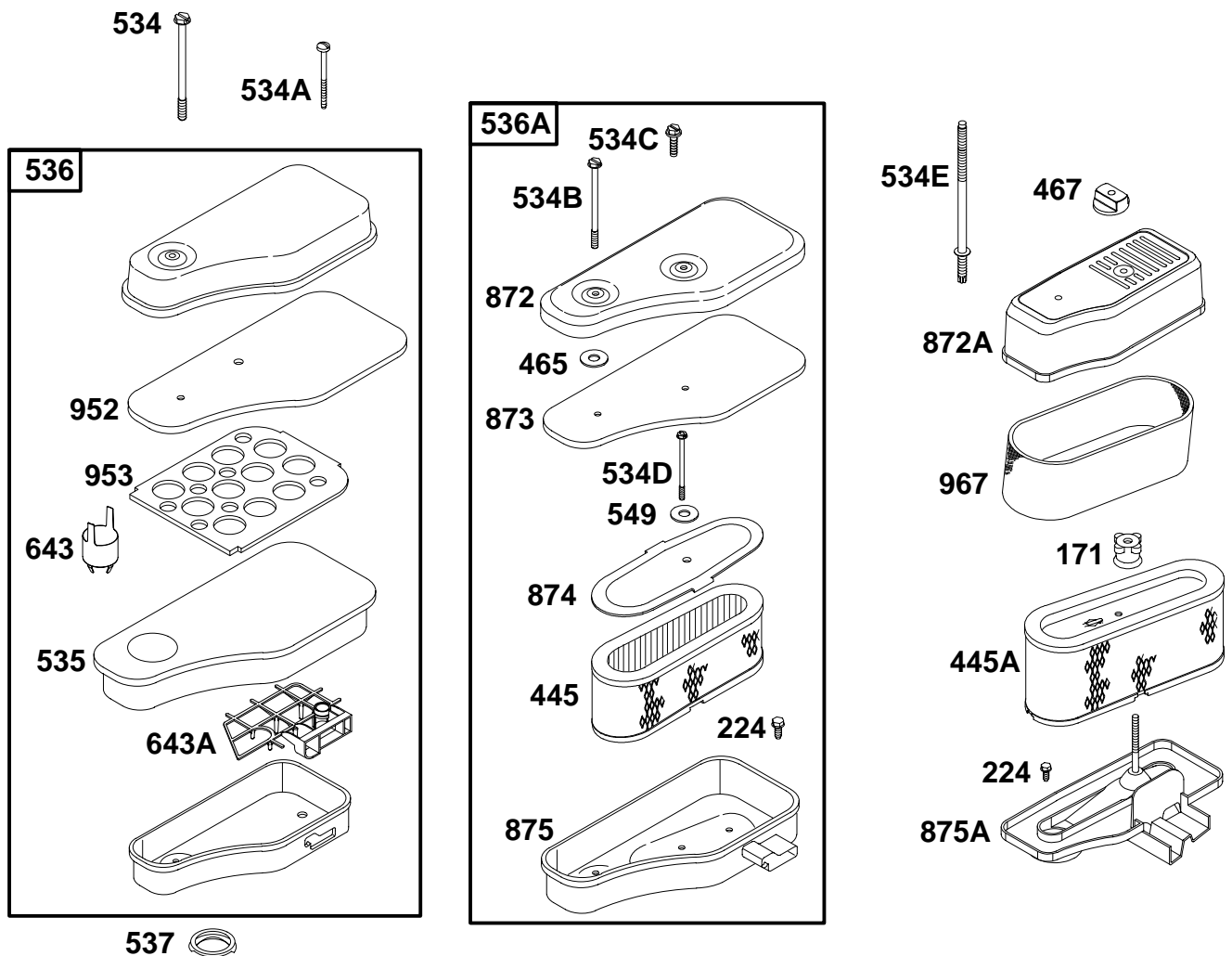
NOTE: THE PROPER FLYWHEEL PART NUMBER AND/OR THE ALTERNATOR MAGNET SIZE WILL DETERMINE THE ALTERNATOR TYPE OR OUTPUT. SEE REPAIR INSTRUCTION MANUAL FOR ADDITIONAL INFORMATION.

| REF. NO. | PART NO. | DESCRIPTION | REF. NO. | PART NO. | DESCRIPTION | REF. NO. | PART NO. | DESCRIPTION |
|----------|----------|------------------|----------|----------|------------------|----------|----------|--------------------|
| 333 | 398811 | Armature-Magneto | 482 | 93621 | Screw-Hex. | 877A | 393456 | Wire-Alternator |
| 334 | 94731 | Screw-Hex. | 501 | 491546 | Regulator | 877B | 393537 | Wire-Alternator |
| 356 | 398808 | Wire-Stop | 526 | 94137 | Screw-Hex. | 877C | 399916 | Wire-Alternator |
| 356A | 494328 | Wire-Stop | 605 | 222934 | Bracket-Mounting | 878 | 393422 | Harness-Alternator |
| 474 | 391529 | Alternator | 841 | 393514 | Clamp | 878A | 393362 | Harness-Alternator |
| 474A | 393474 | Alternator | 851 | 493880 | Terminal-Cable | 878B | 392606 | Harness-Alternator |
| 474B | 392595 | Alternator | 877 | 393814 | Wire-Alternator | 1054 | 280275 | Tie-Cable |
| 474C | 393295 | Alternator | | | | | | |

★ Included in Gasket Set-Part Number 393411.

Ø Included in Valve Overhaul Gasket Set-Part No. 498539.

● Included in Carburetor Kit-Part Number 394698.



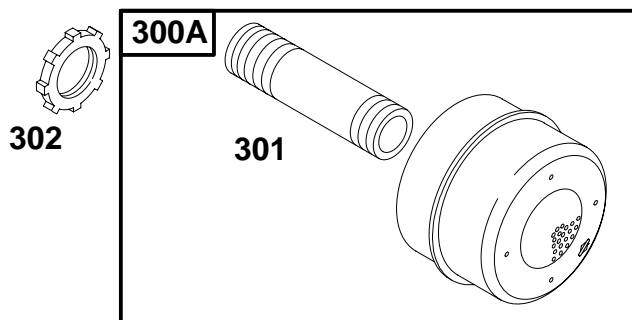
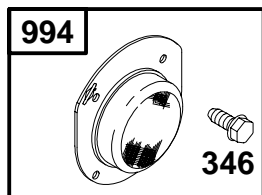
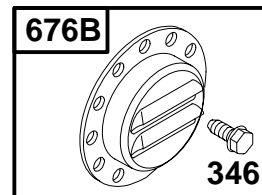
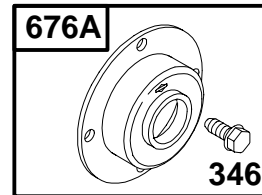
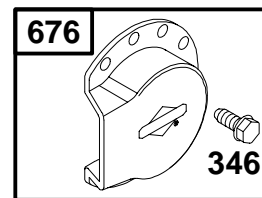
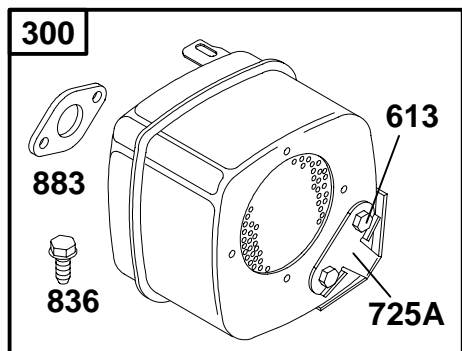
| REF. NO. | PART NO. | DESCRIPTION | REF. NO. | PART NO. | DESCRIPTION | REF. NO. | PART NO. | DESCRIPTION |
|----------|----------|----------------------|----------|----------|-----------------------------|----------|----------|----------------------|
| 171 | 281051 | Knob—Air Cleaner | 534E | 94246 | Stud—Standard (3 1/2" Long) | 643A | 280118 | Retainer—Air Filter |
| 224 | 94902 | Screw—Hex. | | | Note ——— | 872 | 396966 | Cover—Air Cleaner |
| 445 | 393725 | Filter—Air | | 94248 | Stud—Standard (6 3/4" Long) | 872A | 223700 | Cover—Air Cleaner |
| 445A | 399806 | Filter—A/C Cartridge | 535 | 270843 | Filter—Air | 873 | 397971 | Gasket—Cleaner Cover |
| 465 | 271118 | Washer | 536 | 391786 | Cleaner—Air | 874 | 222898 | Retainer—Air Filter |
| 467 | 493903 | Knob—Air Cleaner | 536A | 393749 | Cleaner—Air | 875 | 397321 | Base—Air Cleaner |
| 534 | 93323 | Screw—Slotted | 537 | ★270853 | Gasket—Air Cleaner | 875A | 491877 | Base—Air Cleaner |
| 534A | 93622 | Screw—Slotted | 549 | 270978 | Washer | 952 | 222495 | Spacer—Air Cleaner |
| 534B | 93911 | Screw—Slotted | 643 | 222380 | Spacer—Air Cleaner | 953 | 222382 | Screen—Air Cleaner |
| 534C | 93913 | Screw—Slotted | | | | 967 | 271962 | Filter—Pre-cleaner |
| 534D | 93910 | Screw—Slotted | | | | | | |

★ Included in Gasket Set—Part Number 393411.

Ø Included in Valve Overhaul Gasket Set—Part No. 498539.

● Included in Carburetor Kit—Part Number 394698.

256700 to 256799

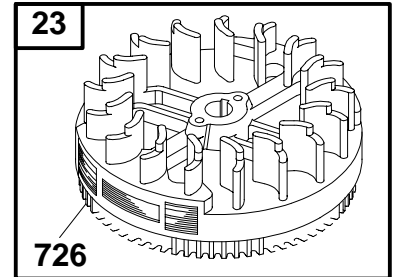
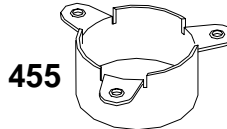
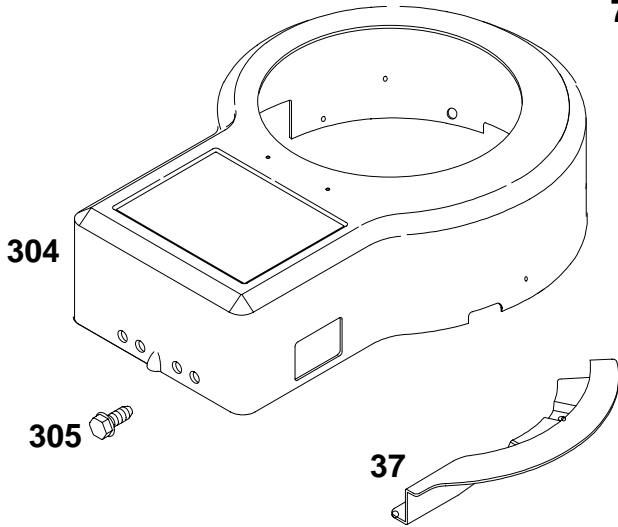
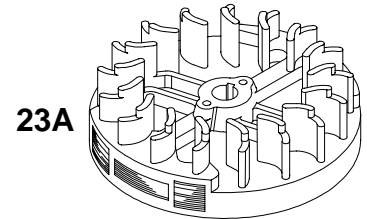
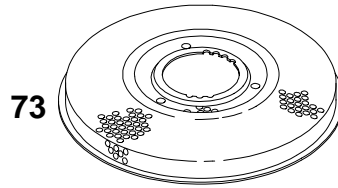
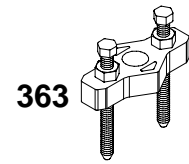
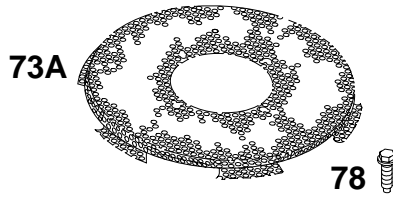
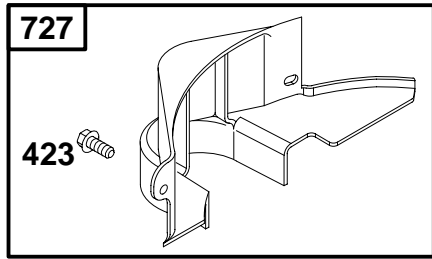


| REF. NO. | PART NO. | DESCRIPTION | REF. NO. | PART NO. | DESCRIPTION | REF. NO. | PART NO. | DESCRIPTION |
|----------|----------|-----------------|----------|----------|-------------------|----------|----------|----------------|
| 300 | 491413 | Muffler-Exhaust | 613 | 93927 | Screw-Shoulder | 725A | 223023 | Shield-Heat |
| 300A | 391569 | Muffler-Exhaust | 676 | 393761 | Deflector-Muffler | 836 | 690960 | Screw-Hex. |
| 301 | 93768 | Pipe-Muffler | 676A | 396903 | Deflector-Muffler | 883 | 272293 | Gasket-Exhaust |
| 302 | 261564 | Locknut-Muffler | 676B | 397630 | Deflector-Muffler | 994 | 392390 | Arrestor-Spark |
| 346 | 94896 | Screw-Hex. | | | | | | |

★ Included in Gasket Set-Part Number 393411.

⊘ Included in Valve Overhaul Gasket Set-Part No. 498539.

● Included in Carburetor Kit-Part Number 394698.

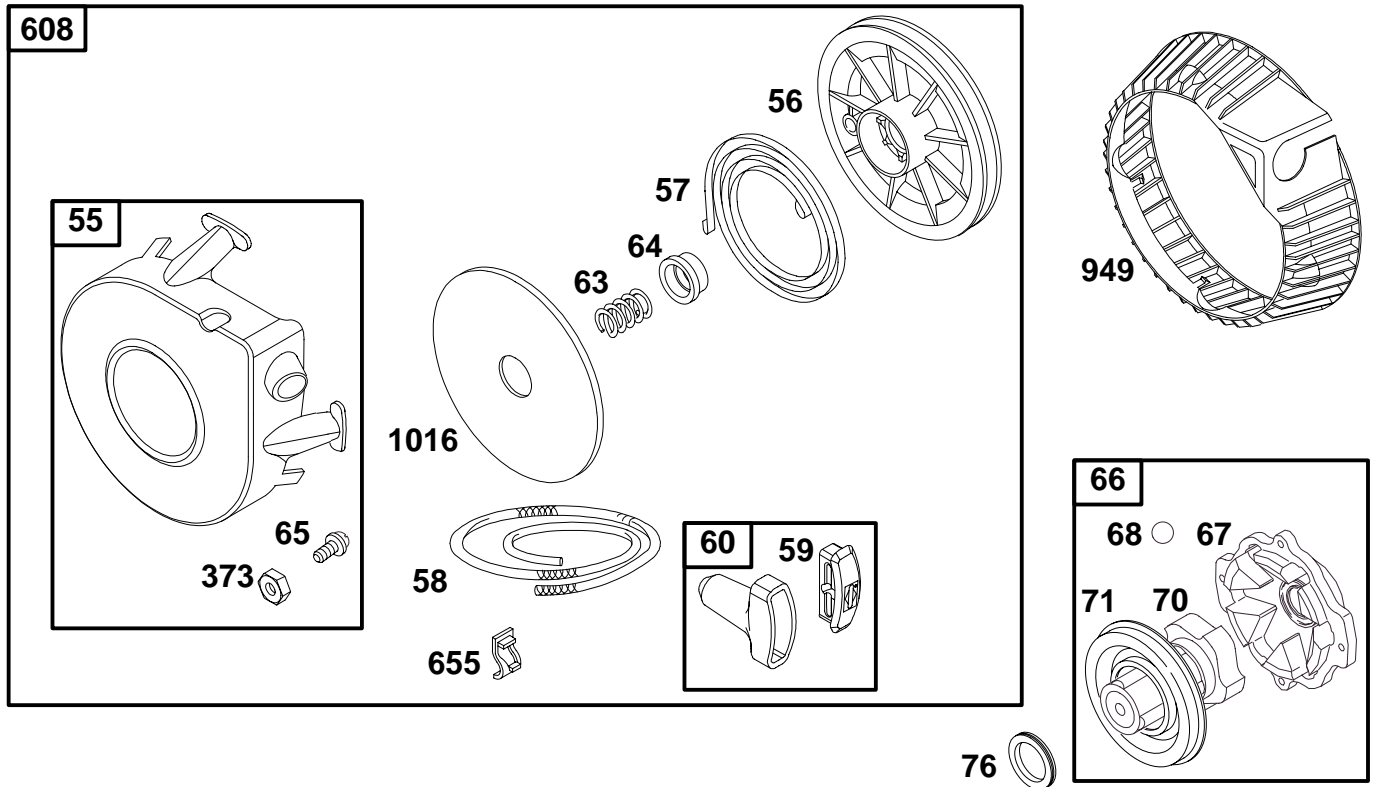


| REF. NO. | PART NO. | DESCRIPTION | REF. NO. | PART NO. | DESCRIPTION | REF. NO. | PART NO. | DESCRIPTION |
|----------|----------|------------------------------------|----------|----------|-----------------|----------|----------|---|
| 23 | 391988 | Flywheel | 78 | 94626 | Screw-Phillips | 726 | 392134 | Gear-Ring (Includes Mounting Hardware) |
| | | Note — | 304 | 398333 | Housing-Blower | | | Note — |
| | 498910 | Flywheel | 305 | 94786 | Screw-Hex. | | 399676 | Gear-Ring (Includes Mounting Hardware) |
| | | Used on Type No(s). 0136, 4005. | 332 | 94877 | Nut-Flywheel | | | Used on Type No(s). 0136, 4005. |
| 23A | 498896 | Flywheel | 363 | 19203 | Flywheel Puller | 727 | 395405 | Cover-Starter Drive |
| 37 | 222475 | Guard-Flywheel | 423 | 94073 | Screw-Shoulder | | | |
| 73 | 224874 | Screen-Rotating | 455 | 222561 | Cup-Flywheel | | | |
| 73A | 224517 | Screen-Rotating | | | | | | |
| 75 | 224061 | Washer-Flywheel | | | | | | |

★ Included in Gasket Set-Part Number 393411.
● Included in Carburetor Kit-Part Number 394698.

∅ Included in Valve Overhaul Gasket Set-Part No. 498539.

256700 to 256799

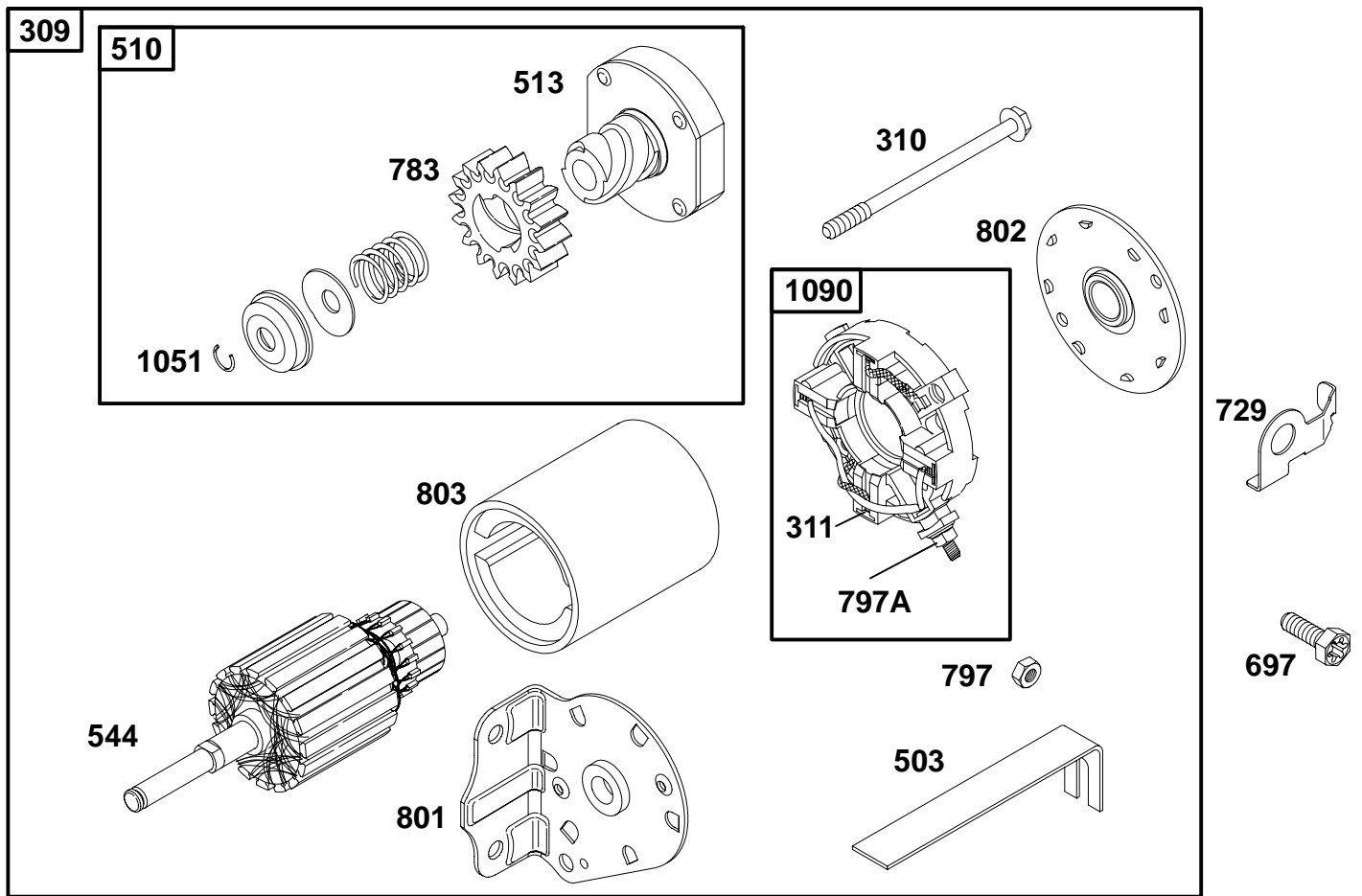


| REF. NO. | PART NO. | DESCRIPTION | REF. NO. | PART NO. | DESCRIPTION | REF. NO. | PART NO. | DESCRIPTION |
|----------|----------|---------------------------------------|----------|----------|-------------------|----------|----------|----------------|
| 55 | 393576 | Housing-Rewind Starter | 59 | 490653 | Insert-Grip | 70 | 298799 | Ratchet-Clutch |
| 56 | 295871 | Pulley-Starter (Includes Rope) | 60 | 490652 | Grip-Starter Rope | 71 | 394506 | Cover-Ratchet |
| 57 | 490179 | Spring-Rewind Starter | 63 | 260414 | Spring-Ratchet | 76 | 68238 | Seal |
| 58 | 66894 | Rope-Starter (Cut to Required Length) | 64 | 281204 | Adapter-Spring | 373 | 92987 | Nut-Hex. |
| | | | 65 | 94128 | Screw-Hex. | 608 | 390391 | Starter-Rewind |
| | | | 66 | 399671 | Clutch-Starter | 655 | 222598 | Anchor-Spring |
| | | | 67 | 394897 | Housing-Clutch | 949 | 280685 | Guard-Rewind |
| | | | 68 | 63770 | Ball-Clutch | 1016 | 490817 | Spacer-Rewind |

★ Included in Gasket Set-Part Number 393411.

● Included in Carburetor Kit-Part Number 394698.

⊘ Included in Valve Overhaul Gasket Set-Part No. 498539.



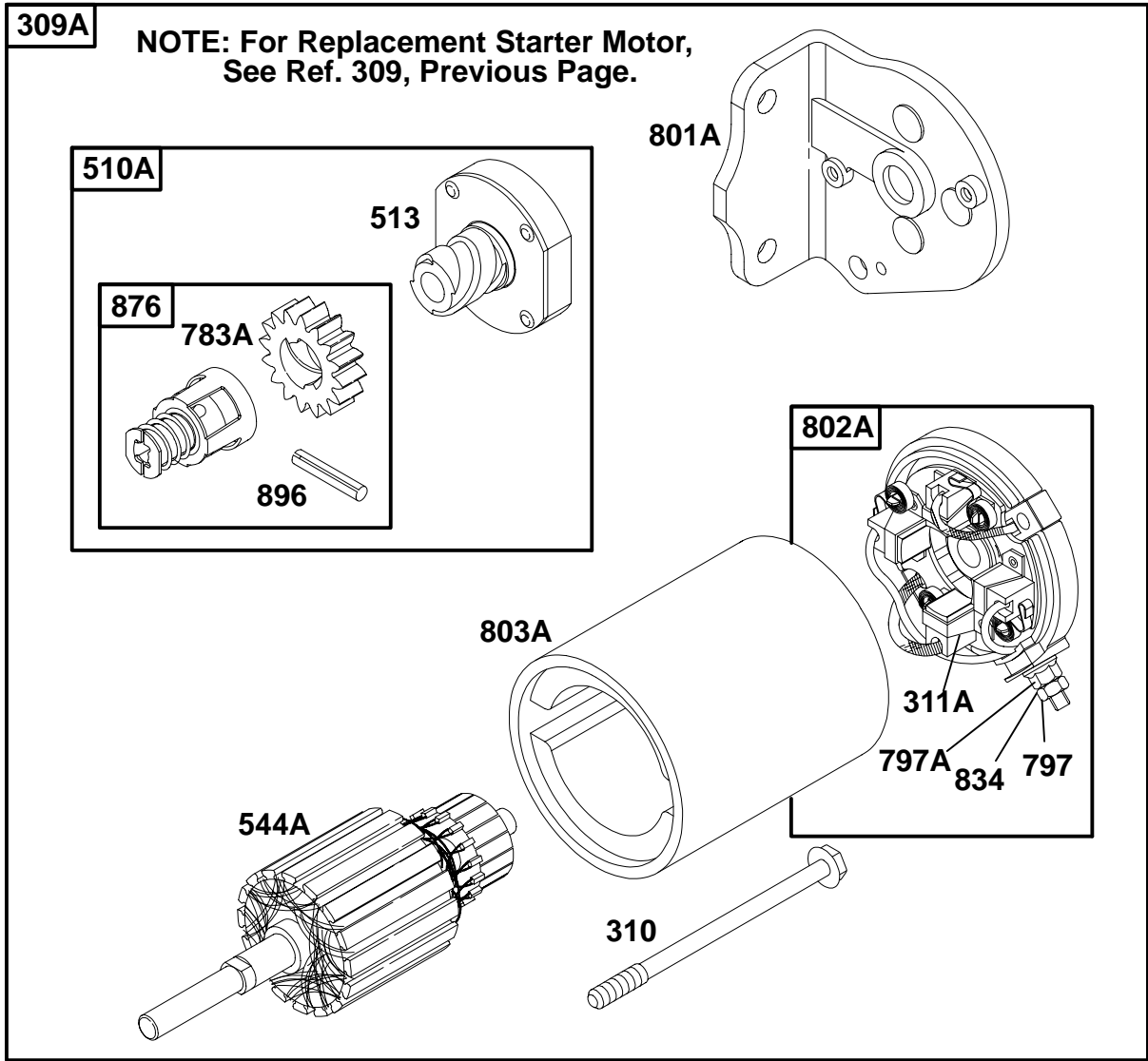
| REF. NO. | PART NO. | DESCRIPTION | REF. NO. | PART NO. | DESCRIPTION | REF. NO. | PART NO. | DESCRIPTION |
|----------|----------|------------------|----------|----------|--------------------------------|----------|----------|------------------------|
| 309 | 497595 | Motor-Starter | 697 | 94773 | Screw (Starter Motor Mounting) | 797A | 693167 | Nut (Starter Terminal) |
| 310 | 94003 | Bolt | 729 | 225170 | Clip-Wire | 801 | 497626 | Cap-Drive |
| 311 | 497608 | Brush Set | 783 | 693058 | Gear-Starter | 802 | 497607 | Cap-End |
| 503 | 806000 | Strap-Starter | 797 | 92278 | Nut (Starter Terminal) | 803 | 497604 | Housing-Starter |
| 510 | 497606 | Drive-Starter | | | | 1051 | 263080 | Ring-Retaining |
| 513 | 398003 | Clutch-Drive | | | | 1090 | 497605 | Retainer-Brush |
| 544 | 497603 | Armature-Starter | | | | | | |

★ Included in Gasket Set-Part Number 393411.

● Included in Carburetor Kit-Part Number 394698.

∅ Included in Valve Overhaul Gasket Set-Part No. 498539.

256700 to 256799

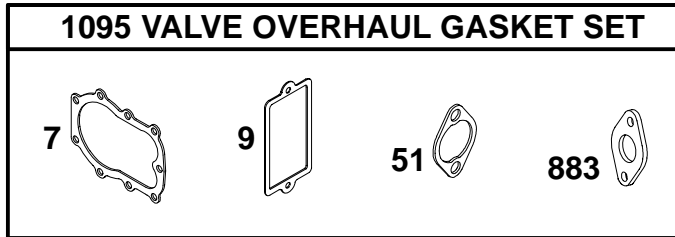
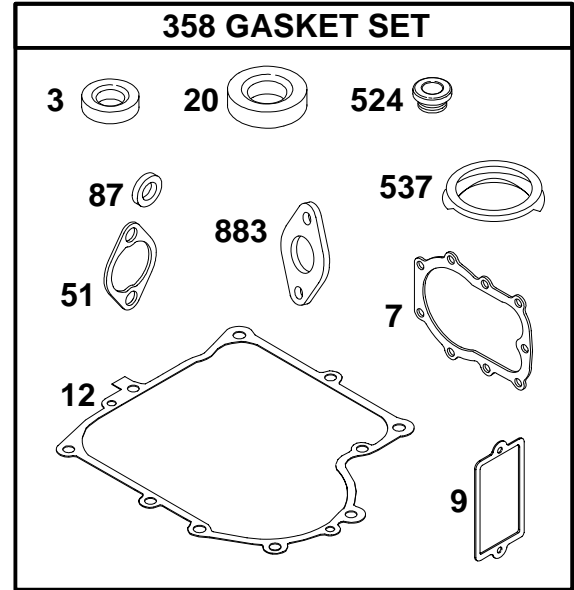
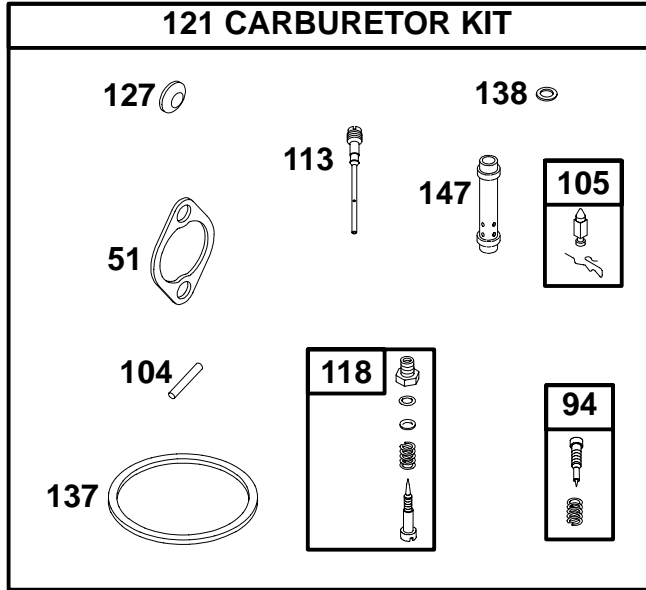


| REF. NO. | PART NO. | DESCRIPTION | REF. NO. | PART NO. | DESCRIPTION | REF. NO. | PART NO. | DESCRIPTION |
|-------------|---------------|---|-------------|---------------|-----------------------------------|-------------|---------------|------------------------------|
| 309A | | Motor-Starter (For Replacement Starter Motor, See Ref 309, Previous Page.) | 697A | 94627 | Screw (Starter Motor Mounting) | 801A | 394856 | Cap-Drive |
| 310 | 94003 | Screw-Hex. | 729A | 224723 | Clip-Wire | 802A | 395537 | Cap-End |
| 311A | 395538 | Brush Set | 783A | 693059 | Gear-Starter | 803A | 398159 | Housing-Starter |
| 510A | 495878 | Drive-Starter | 797 | 92278 | Nut (Starter Terminal) | 834 | 92507 | Washer (Starter Terminal) |
| 513 | 398003 | Clutch-Drive | 797A | 693167 | Nut (Starter Terminal) | 876 | 495877 | Kit-Gear |
| 544A | 390837 | Armature-Starter | | | | 896 | 94288 | Pin-Drive Retainer |

★ Included in Gasket Set-Part Number 393411.

● Included in Carburetor Kit-Part Number 394698.

⊘ Included in Valve Overhaul Gasket Set-Part No. 498539.



| REF. NO. | PART NO. | DESCRIPTION | REF. NO. | PART NO. | DESCRIPTION | REF. NO. | PART NO. | DESCRIPTION |
|-----------------|----------|---|----------|----------|---------------------|----------|----------|------------------------------|
| 3 | ★391086 | Seal—Oil | 20 | ★291675 | Seal—Oil | 138 | ●222014 | Washer |
| 7 | ∅★271866 | Gasket—Cylinder Head | 51 | ∅★272554 | Gasket—Intake | 147 | ●231323 | Nozzle—Carburetor |
| 9 | ∅★27803 | Gasket—Breather | 87 | ★491323 | Seal—Governor Shaft | 358 | 393411 | Gasket Set |
| 12 | ★271702 | Gasket—Crankcase (.015" Thick, Standard) | 94 | ●292681 | Kit—Idle Mixture | 524 | ★281370 | Seal—Fill Tube |
| — Note — | | | 104 | ●231435 | Pin—Float Hinge | 537 | ★270853 | Gasket—Air Cleaner |
| | ★270915 | Gasket—Crankcase (.005" Thick) | 105 | ●394681 | Valve—Needle | 883 | ∅★272293 | Gasket—Exhaust |
| | ★270916 | Gasket—Crankcase (.009" Thick) | 113 | ●299740 | Nozzle—Carburetor | 1095 | 498539 | Gasket Set—Valve Overhaul |
| | | | 118 | ●396568 | Valve—High Speed | | | |
| | | | 121 | 394698 | Carburetor Kit | | | |
| | | | 127 | ●221997 | Plug—Welch | | | |
| | | | 137 | ●270511 | Gasket—Float Bowl | | | |

★ Included in Gasket Set—Part Number 393411.
● Included in Carburetor Kit—Part Number 394698.

∅ Included in Valve Overhaul Gasket Set—Part No. 498539.