

257700 to 257799

Illustrated Parts List

Industrial/Commercial®

Model Series

257700 to 257799

TYPE NUMBERS

0101 through 0104,
0116 through 0120,
0122 through 0131,
0133 through 0138,
0143,
0147 through 0150,
4001, 4005, 4008,
4009.

TO FIND

**THE CORRECT NUMBER OF THE PART YOU NEED:
FOLLOW THE INSTRUCTIONS BELOW**

- A. Refer to Engine Model, Type and Code Number that is stamped on the blower housing of engine. Engine type numbers such as 0123 01 are listed only as 0123 in most instances. The two digits (01 or 02, etc.) to the right of the space may be required for more accurate parts identification in some instances. Select the Illustrated Parts List covering the correct Model Series and Type Number.
- B. Refer to the Illustrations and compare the original part with Illustration. The number next to the illustration is the Reference Number. Assemblies include all parts shown in frames. All parts shown in assembly frames having individual reference numbers can be purchased separately.
- C. After the Reference Number has been identified, refer to the Numerical text, where Reference and Primary Part Number are listed. **THE PRIMARY PART IS USED ON ALL TYPE NUMBERS EXCEPT THOSE TYPE NUMBERS UNDER "NOTE."**
- D. If a "Note" appears below the Primary Part Number, it means that this part differs from the Primary Part for certain types. If your Type number is listed under "Note," order the part referred to at the "Note."
- E. If your Engine Type Number does not appear after any part number listed under "Note," use the Primary Part Number.
- F. For Engine Type Numbers not covered by this book, check other Parts Lists having the same engine model or contact your source of supply.

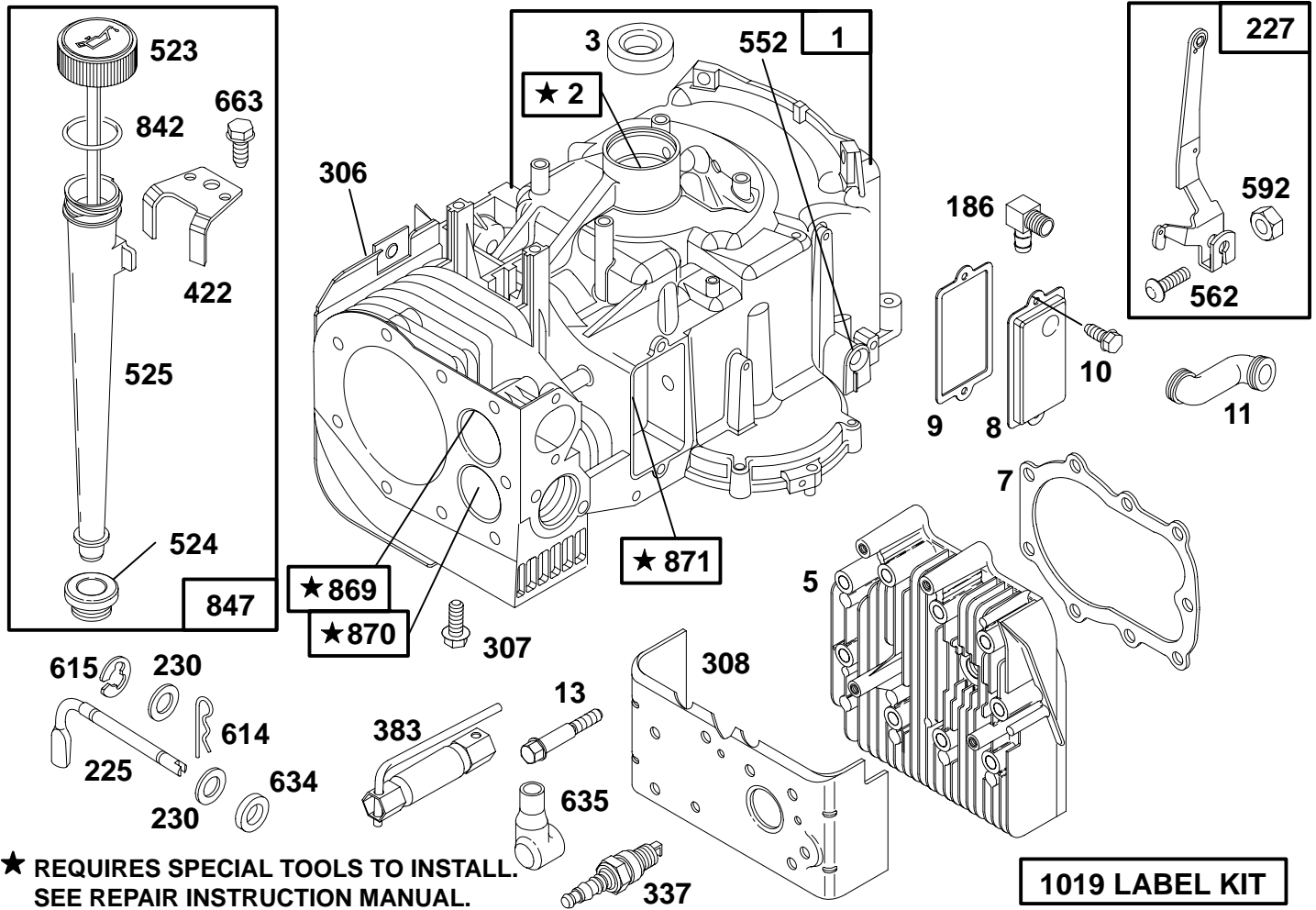
PRINTED IN U.S.A.

COPYRIGHT©

BRIGGS & STRATTON

®

257700 to 257799



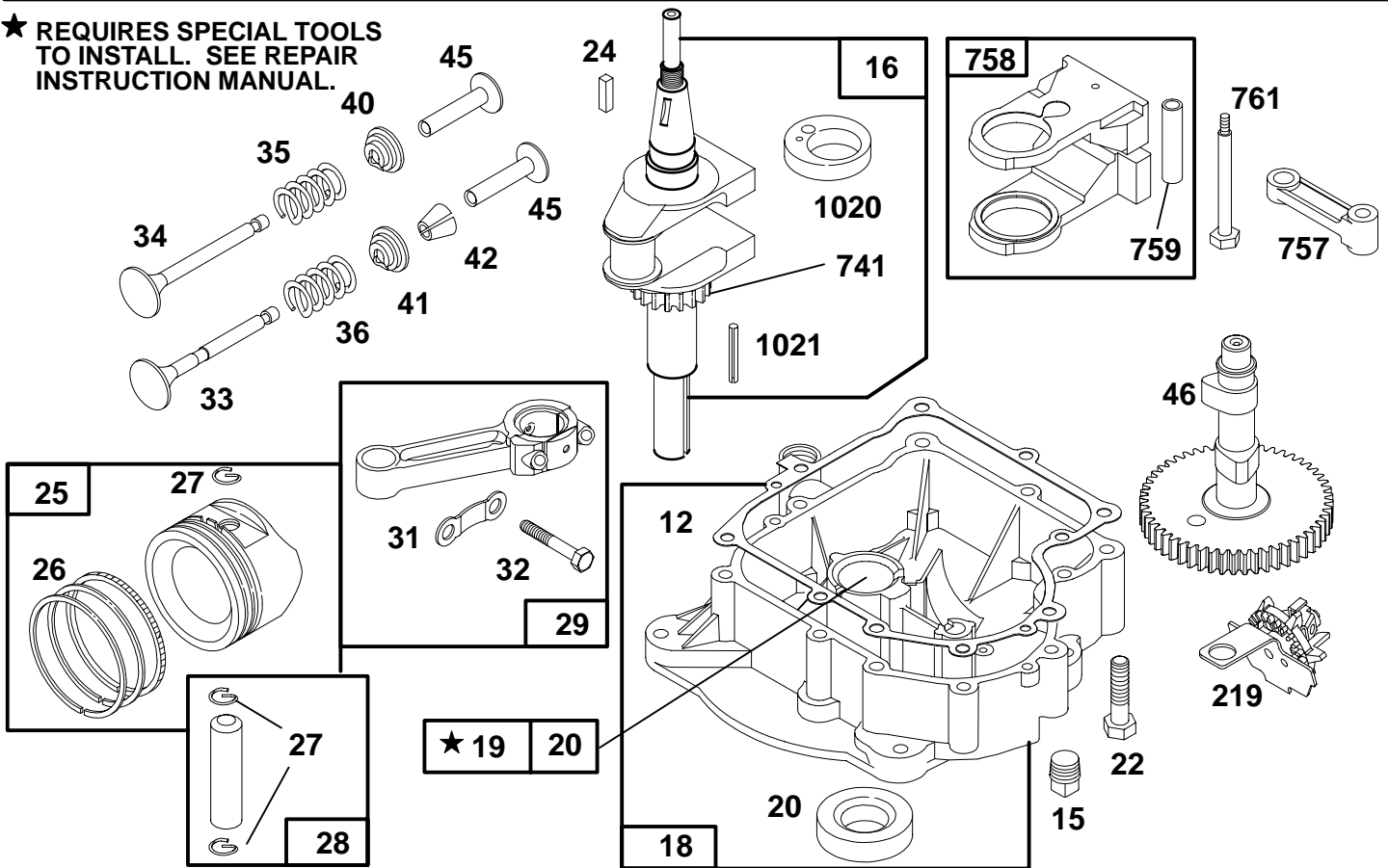
★ REQUIRES SPECIAL TOOLS TO INSTALL.
SEE REPAIR INSTRUCTION MANUAL.

1019 LABEL KIT

REF. NO.	PART NO.	DESCRIPTION	REF. NO.	PART NO.	DESCRIPTION	REF. NO.	PART NO.	DESCRIPTION
1	495729	Cylinder Assembly		93781	Stud-Cyl. Head	562	92613	Bolt-Governor Lever
2	399265	Bearing-Cylinder		Used on Type No(s). 0127.	592	231082	Nut-Hex.	
3	★391086	Seal-Oil	186	67218	Connector-Elbow	614	93306	Cotter-Hair Pin
5	212914	Head-Cylinder	225	231058	Crank-Governor	615	93307	Retainer-E-Ring
7	★271866	Gasket-Cylinder Head	227	493935	Lever Assy.-Governor	634	★491323	Seal-Governor
8	391406	Breather Assembly	230	94742	Washer-Gov. Crank	635	66538	Elbow-Spark Plug
		Note	306	224542	Shield-Cylinder	663	94620	Screw-Hex. Head
		394217 Breather Assy.	307	93949	Screw-Cylinder Shield	842	★270920	Seal-Oil Filler Cap
		Used on Type No(s). 0120.	308	222725	Cover-Cylinder Head	847	392067	Fill Group-Oil
9	★27803	Gasket-Valve Cover	337	802592	Plug-Spark (Resistor Type)	869	261463	Seat-Intake Valve
10	94621	Screw-Sem		(1-7/8" High, 47 mm)	870	213316	Seat-Exhaust Valve	
11	280100	Tube-Breather	383	89838	Wrench-Spark Plug	871	261961	Guide-Exhaust Valve
13	93723	Screw-Cylinder Head	422	223394	Clamp-Oil Filler Tube			Note
		Note	523	391841	Cap-Oil Filler			231218 Guide-Intake Valve
		93781 Stud-Cyl. Head	524	★68838	Seal-Filler Tube	1019	491254	Label Kit
		22963 Washer	525	280134	Tube-Oil Filler			
		231186 Spacer	552	231597	Bushing-Gov. Crank			
		Used on Type No(s). 0116, 0135.						

- ★ Included in Gasket Set-Part No. 393411.
- Included in Carburetor Kit-See Ref. 121.
- ◆ Included in Carburetor Gasket Set-Part No. 494385.

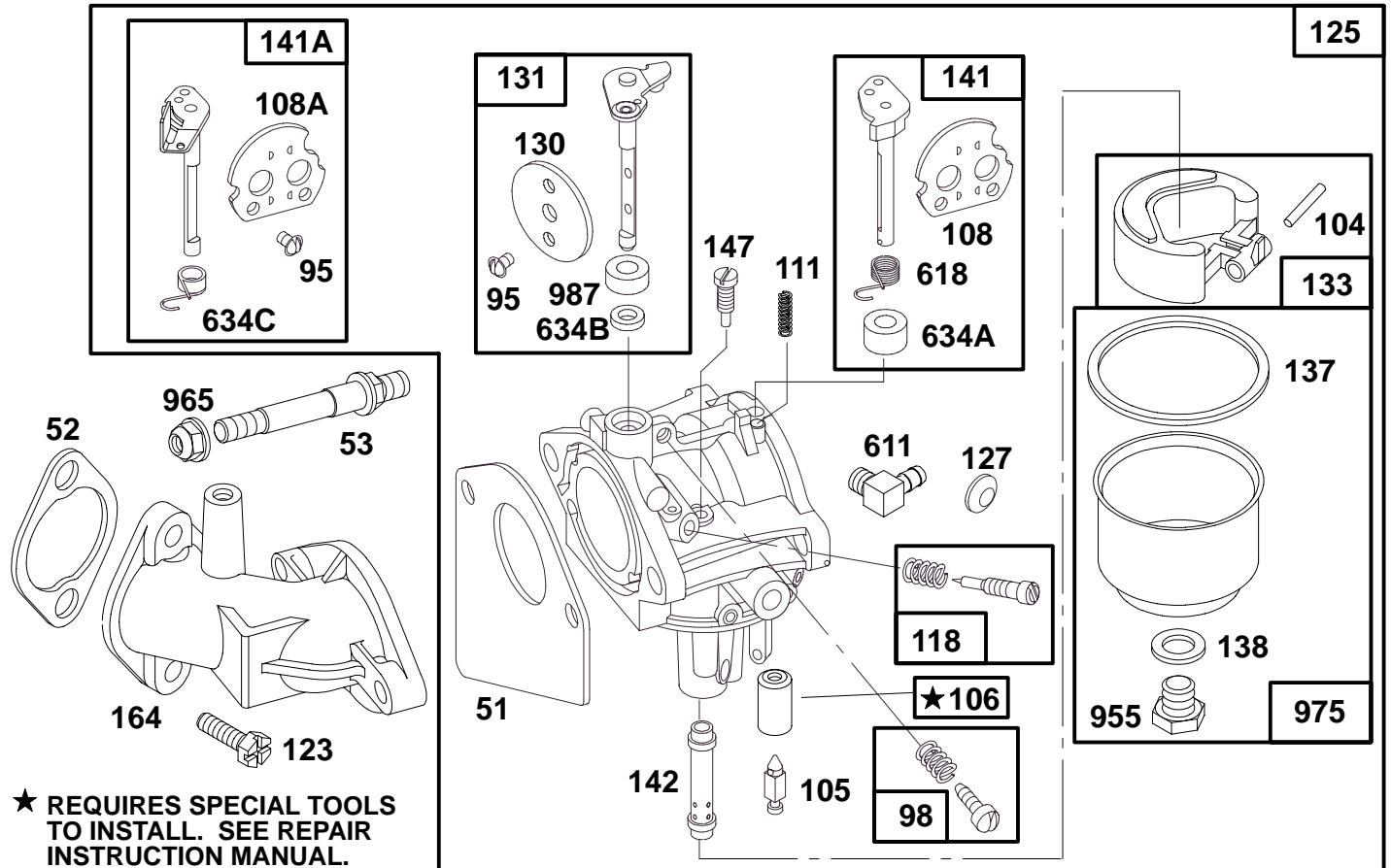
★ REQUIRES SPECIAL TOOLS TO INSTALL. SEE REPAIR INSTRUCTION MANUAL.



REF. NO.	PART NO.	DESCRIPTION	REF. NO.	PART NO.	DESCRIPTION	REF. NO.	PART NO.	DESCRIPTION
12	★271702	Gasket-Crankcase Cover (1/64" Thick)			394663 Piston Assy. (.020" O.S.)	31	222299	Lock-Screw
	★270915	Gasket-Crankcase (.005" Thick)			394664 Piston Assy. (.030" O.S.)	32	92909	Screw-Connecting Rod
	★270916	Gasket-Crankcase (.009" Thick)	26	391780	Ring Set (Standard)	33	261185	Valve-Exhaust
15	94239	Plug-Oil Drain			392331 Ring Set (Chrome Standard)	34	261462	Valve-Intake
16		Crankshaft			391781 Ring Set (.010" O.S.)	35	65906	Spring-Intake Valve
		See Last Pages.			391782 Ring Set (.020" O.S.)	36	26828	Spring-Exhaust Valve
18	391784	Base-Engine			391783 Ring Set (.030" O.S.)	40	221596	Retainer-Intake Valve
19	490666	Bushing-Sump	27	260924	Lock-Piston Pin	41	292260	Rotocoil-Exhaust Valve
20	★291675	Seal-Oil	28	299691	Pin-Piston (Standard)	42	93630	Retainer-Rotocoil
22	93585	Screw-Base Mtg. Sem			391286 Pin-Piston (.005" O.S.)	45	262248	Tappet-Valve
24	222698	Key-Flywheel	29	490348	Rod-Connecting (Standard)	46	212897	Gear-Cam
25	394661	Piston Assy. (Standard)			490469 Rod-Conn. (.020" Undersize)	219	490815	Slinger-Oil
		394662 Piston Assy. (.010" O.S.)				741	262135	Gear-Timing
						757	212359	Link-Counterweight
						758	391373	Counterweight Assy.
						759	298909	Pin-Counterweight
						761	93875	Screw-Counterweight
						1020	261242	Eccentric
						1021	94160	Pin-Eccentric

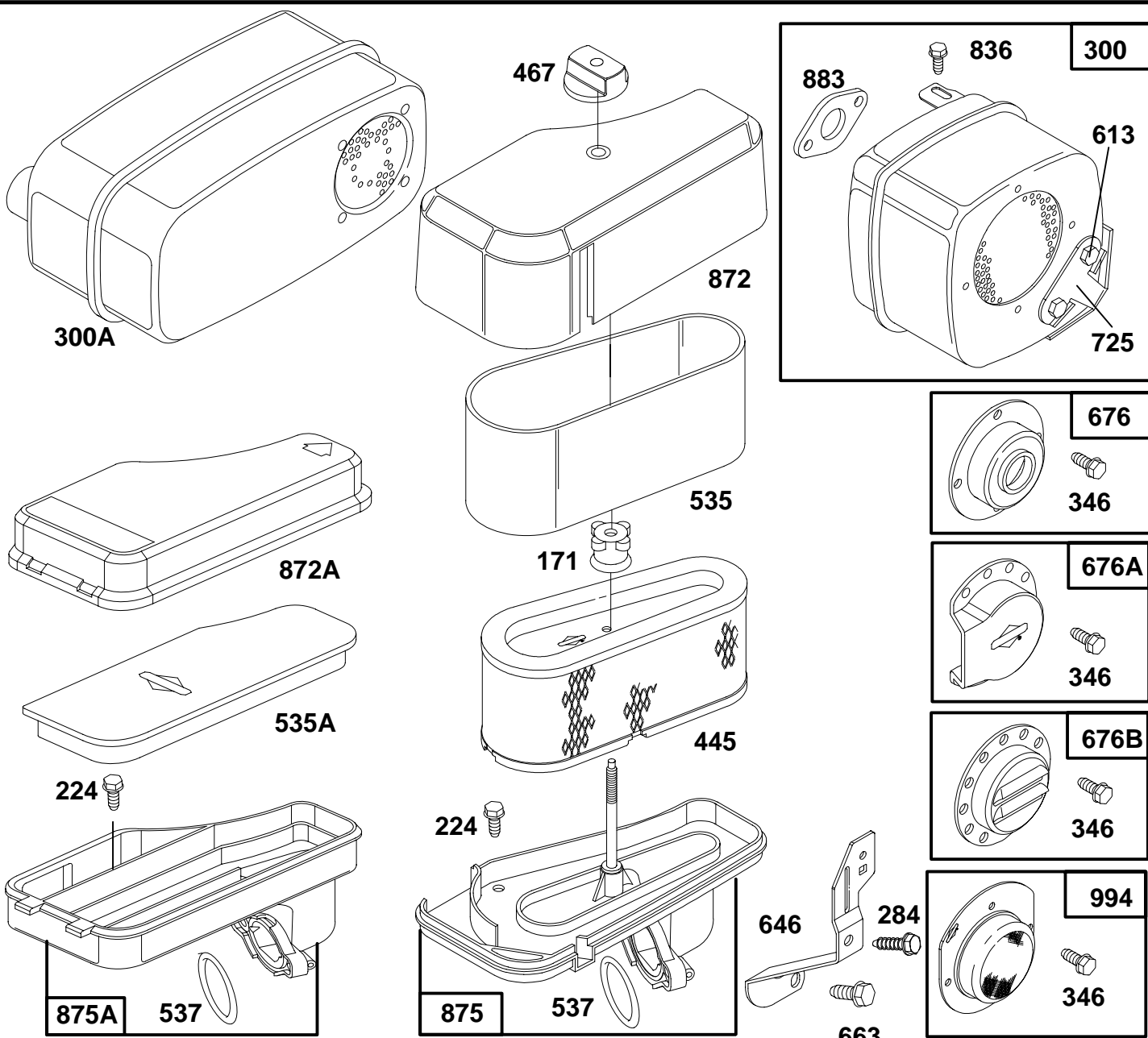
- ★ Included in Gasket Set-Part No. 393411.
- Included in Carburetor Kit-See Ref. 121.
- ◆ Included in Carburetor Gasket Set-Part No. 494385.

257700 to 257799



REF. NO.	PART NO.	DESCRIPTION	REF. NO.	PART NO.	DESCRIPTION	REF. NO.	PART NO.	DESCRIPTION
51	◆♦272465	Gasket-Carburetor (Carb. to Elbow)	123	94616	Screw-Elbow Mtg.	141	495931	Shaft-Choke (Used After Code Date 92091400).
52	★270872	Gasket-Carburetor (Elbow to Cylinder)	125	495778	Carburetor (Used After Code Date 92071900).			Note _____
53	94637	Stud-Carb. Mtg.		494883	Carburetor (Used Before Code Date 92072000).			494879 Shaft-Choke (Used Before Code Date 92091500).
95	◆94098	Screw-Throttle			Note _____	141A	495097	Shaft-Choke (Universal)
98	495800	Screw-Idle Speed (Used After Code Date 92071900).		495784	Carburetor (Used After Code Date 92071900).	142		Nozzle-Carburetor See Last Pages.
		Note _____		494881	Carburetor (Used Before Code Date 92072000). Used on Type No(s). 0123, 0124, 0127.	147	◆231794	Pilot-Jet
104	◆231789	Pin-Float Hinge				164	213819	Carburetor-Elbow
105		Valve-Inlet Needle See Last Pages.	127	◆	Plug-Welch (Sold in Kit Only).	611	494451	Fuel Inlet Tube
106		Seat-Inlet Valve See Last Pages.	130	224539	Valve-Throttle	618	262803	Spring-Choke Return
108	224666	Valve-Choke	131	494379	Shaft-Throttle	634A	◆281168	Seal-Choke Shaft
108A	224667	Valve-Choke	133	494381	Float-Carburetor	634B	◆281167	Washer-Throttle Shaft
111	262820	Spring-Choke Spring	137	◆♦281165	Gasket-Float Bowl	634C	◆494453	Seal & Spring Assy.
118	494383	Valve-Needle	138	◆♦281164	Washer-Float Bowl	955	94642	Screw-Fuel Bowl
						965	94108	Nut-Hex.
						975	494378	Bowl Assy.-Carburetor
						987	◆281166	Seal-Throttle Shaft

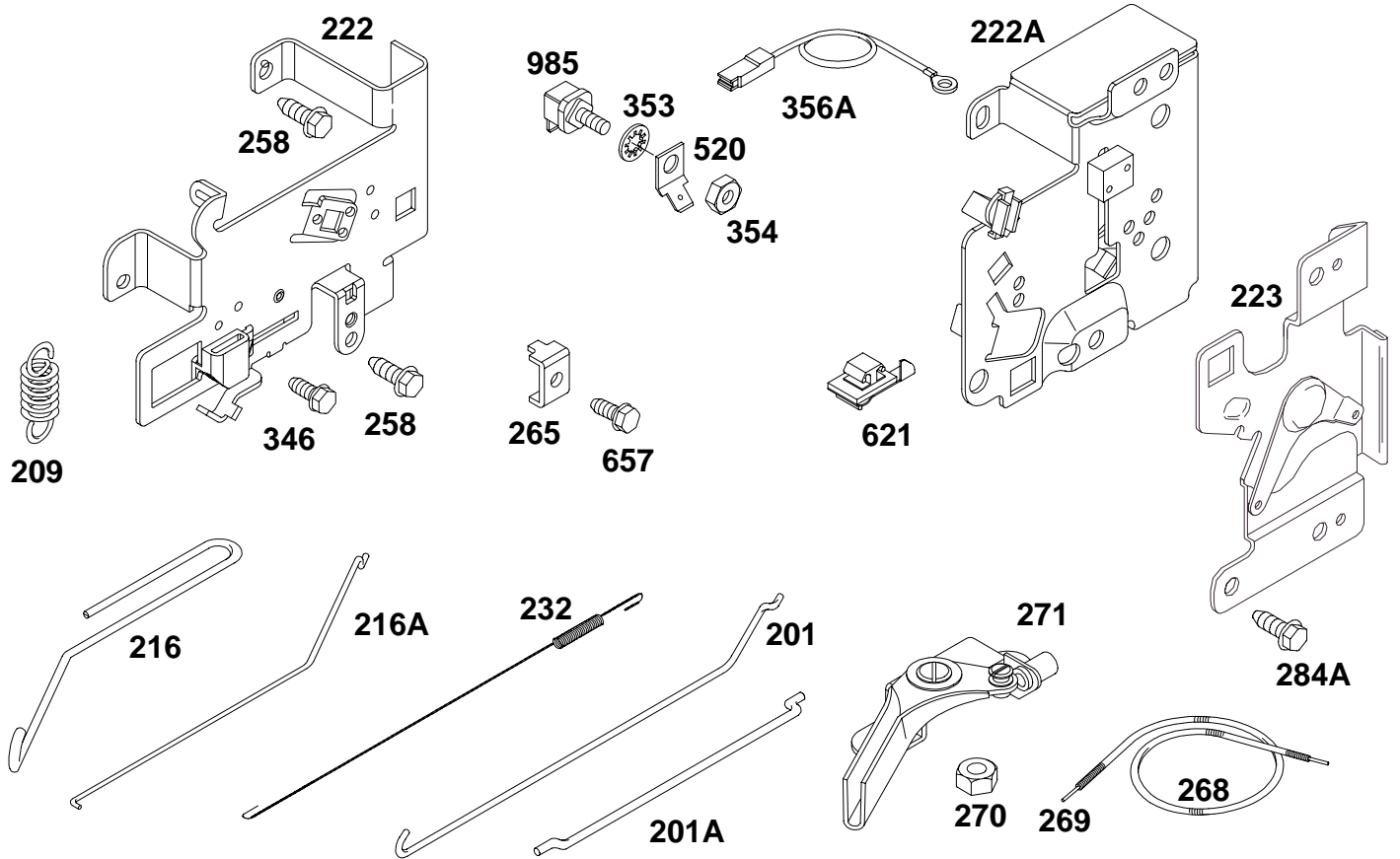
- ★ Included in Gasket Set-Part No. 393411.
- ◆ Included in Carburetor Kit-See Ref. 121.
- ◆♦ Included in Carburetor Gasket Set-Part No. 494385.



REF. NO.	PART NO.	DESCRIPTION	REF. NO.	PART NO.	DESCRIPTION	REF. NO.	PART NO.	DESCRIPTION
171	281051	Nut—Air Cleaner	537	★281106	O-Ring—Air Cleaner	725	223023	Shield—Muffler
224	94513	Screw—Sem	613	93927	Screw—Hex. Hd.	836	94513	Screw—Hex. Hd.
284	94704	Screw—Hex. Head	646	224546	Brace—Air Cleaner	872	281105	Cover—Air Cleaner
300	491413	Muffler—Exhaust	663	94620	Screw—Hex. Head	872A	281108	Cover—Air Cleaner
300A	493963	Muffler—Exhaust	676	396903	Deflector—Muffler (Direct Outlet)	875	494827	Body—Air Cleaner
346	93705	Screw—Hex. Head	676A	393761	Deflector—Muffler (Side Outlet)	875A	494745	Body—Air Cleaner
445	493910	Cartridge—Air Cleaner	676B	397630	Deflector—Muffler (Louvered Outlet)	883	★272293	Gasket—Exhaust Pipe
467	493903	Knob—Air Cleaner				994	392390	Arrester—Spark
535	272477	Element—Air Cleaner						
535A	272405	Element—Air Cleaner						

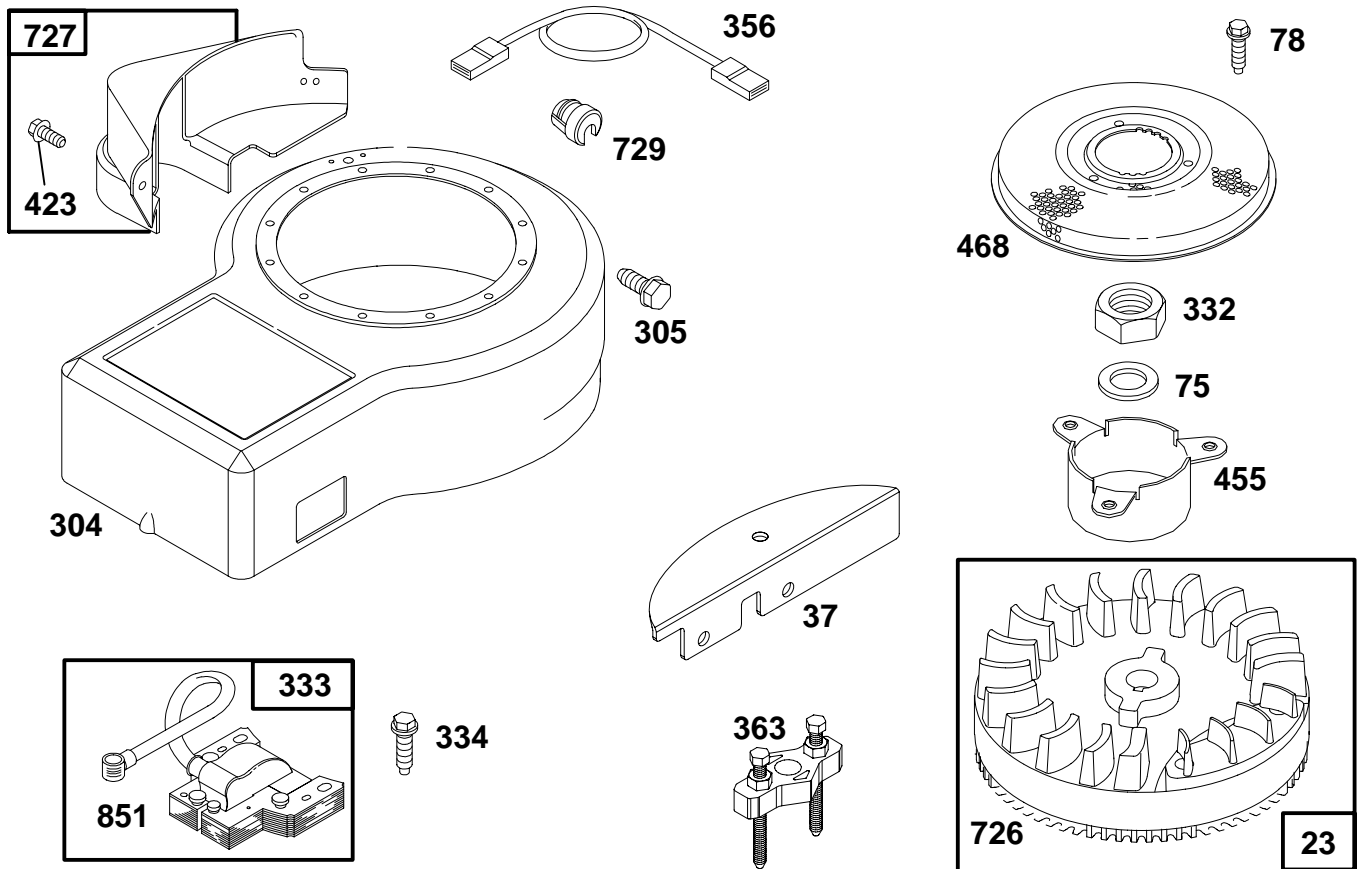
- ★ Included in Gasket Set—Part No. 393411.
- Included in Carburetor Kit—See Ref. 121.
- ◆ Included in Carburetor Gasket Set—Part No. 494385.

257700 to 257799



REF. NO.	PART NO.	DESCRIPTION	REF. NO.	PART NO.	DESCRIPTION	REF. NO.	PART NO.	DESCRIPTION
201	262767	Link-Governor	216A	262778	Link-Choke	269	26633	Wire-Control (78" Long)
201A	262828	Link-Governor	222	493896	Plate-Control			Note ——— If Longer Wire is Required, Specify Length in Inches; if Shorter Wire is Needed, Cut to Required Length.
209	262784	Spring-Governor			Note ——— 494887 Plate-Control Used on Engines With Stop Switch (Ref. 621).	270	63426	Locknut-Casing
		Note ——— 260695 Spring-Gov. Used on Type No(s). 0120, 0122, 0131, 0137, 0147. 260871 Spring-Gov. Used on Type No(s). 0101, 0103, 0124, 0143, 0149. 261306 Spring-Gov. Used on Type No(s). 0116, 0117, 0119, 0123, 0125, 0126, 0135, 4005. 262783 Spring-Gov. Used on Type No(s). 0127.	222A	494041	Plate-Control	271	290568	Lever Assy.-Control
		216 262766 Link-Choke	223	494587	Lever-Governor	284A	94620	Screw-Hex. Head
			232	262785	Spring-Governor Link	346	93705	Screw-Hex. Head
			258	94620	Screw-Hex. Hd.	353	92791	Washer-Lock
			265	221535	Clamp-Casing	354	90576	Nut-Hex.
			268	65616	Casing-Wire (72" Long)	356A	398808	Wire-Ground
					Note ——— If Longer Casing is Required, Specify Length in Inches; if Shorter Casing is Needed, Cut to Required Length.	520	93722	Terminal-Spade
						621	396847	Switch-Stop
						657	93496	Screw-Sem
						985	398525	Insulator Assembly

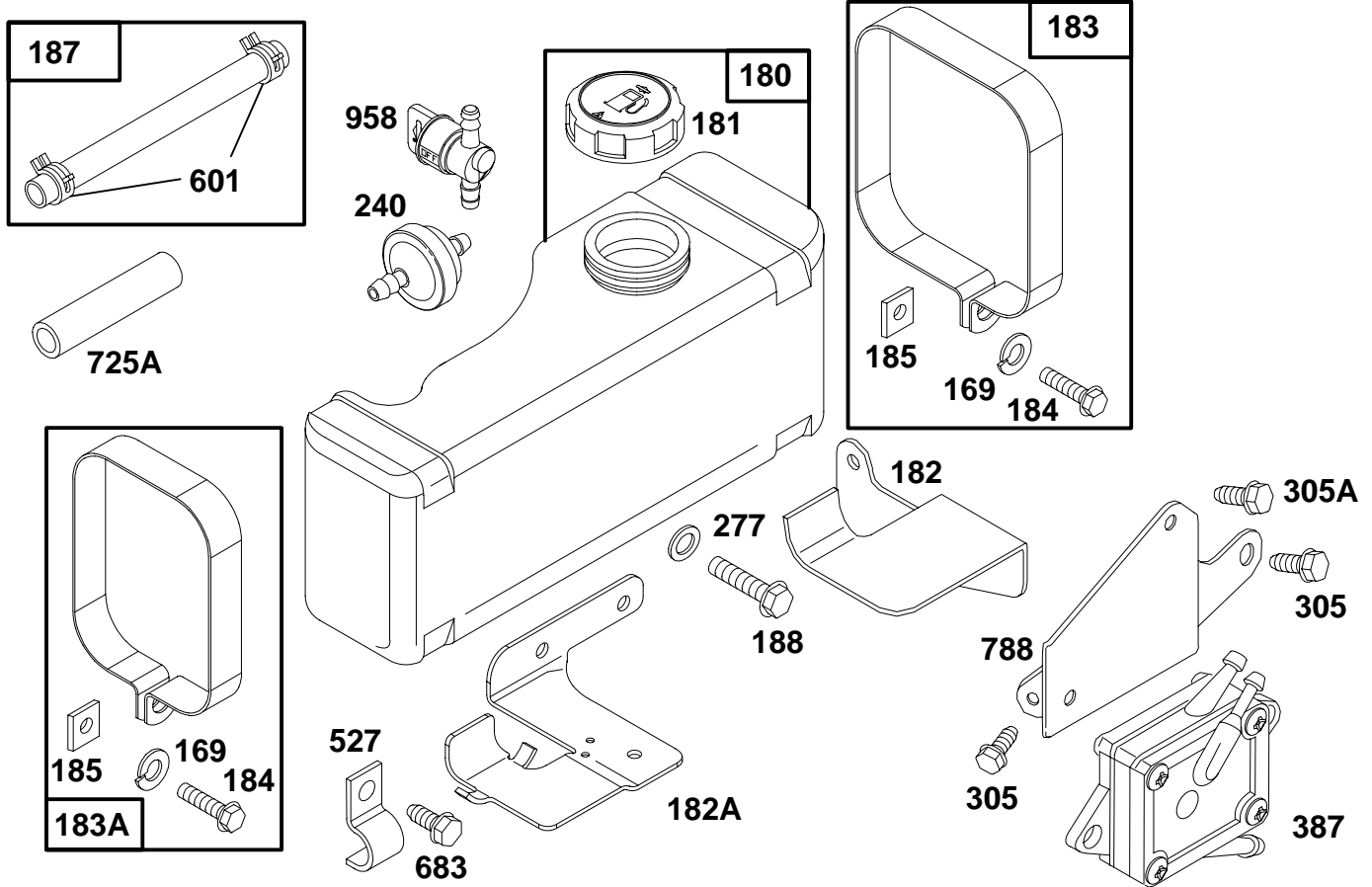
- ★ Included in Gasket Set-Part No. 393411.
- Included in Carburetor Kit-See Ref. 121.
- ◆ Included in Carburetor Gasket Set-Part No. 494385.



REF. NO.	PART NO.	DESCRIPTION	REF. NO.	PART NO.	DESCRIPTION	REF. NO.	PART NO.	DESCRIPTION
23	391988	Flywheel	333	398811	Armature-Magneto			<p align="center">———— Note ————</p> <p>399676 Gear-Ring (Includes Mounting Hardware) Used on Type No(s). 0128, 4005.</p> <p>727 Cover-Starter</p> <p>See Last Pages.</p> <p>729 281159 Clip-Lead Wire</p> <p>851 221798 Terminal-Ignition Cable</p>
		———— Note ————	334	93381	Screw-Sem			
		392366 Flywheel	356	494328	Wire Assembly			
		Used on Type No(s). 0128, 4005.	363	19203	Puller-Flywheel			
37	222475	Guard-Flywheel	423	94625	Screw-Sem			
75	224061	Washer-Spring	455	222561	Cup-Screen Mounting			
78	93805	Screw-Sem	468	222562	Screen-Rotating			
304	494087	Housing-Blower	726	392134	Gear-Ring (Includes Mounting Hardware)			
305	94608	Screw-Sem						
332	92284	Nut-Hex						

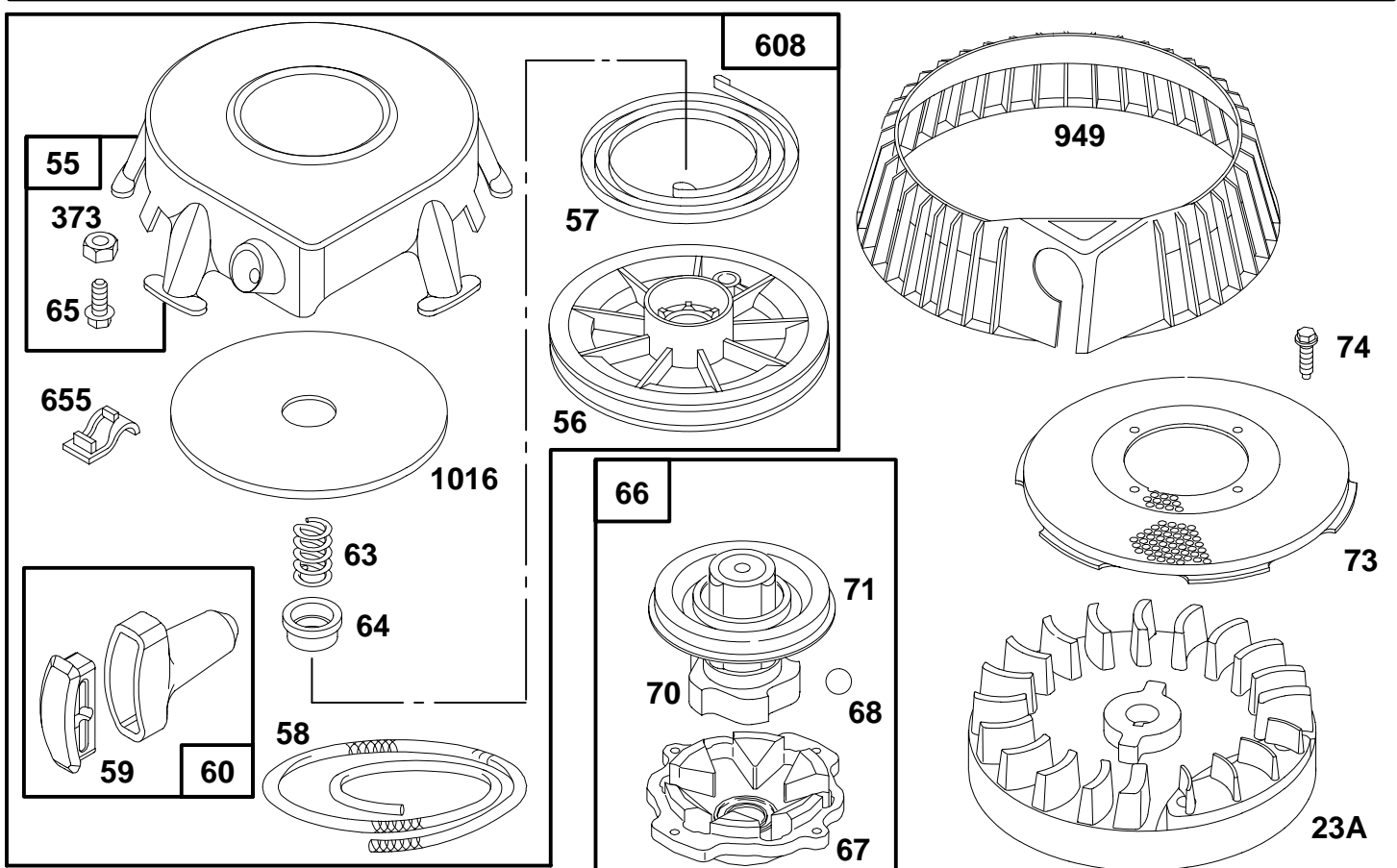
- ★ Included in Gasket Set-Part No. 393411.
- Included in Carburetor Kit-See Ref. 121.
- ◆ Included in Carburetor Gasket Set-Part No. 494385.

257700 to 257799



REF. NO.	PART NO.	DESCRIPTION	REF. NO.	PART NO.	DESCRIPTION	REF. NO.	PART NO.	DESCRIPTION
169	90832	Washer-Lock	187	393815	Line-Fuel (11" Long, Cut to Required Length).	277	22776	Washer-Flat (2) Used on Engines With Electric Start.
180	390225	Tank Assy.-Fuel (3 Quart.)			Note			Note
181	493988	Cap-Fuel Tank			299146 Line-Fuel (28" Long, Cut to Required Length).			22963 Washer (4) Used on Engines With Rewind Start Only.
182	222980	Brkt.-Fuel Tank (Right Hand)	188	93634	Screw-Sem Used on Engines With Electric Start.	305	94608	Screw-Hex. Head
182A	222979	Brkt.-Fuel Tank (Left Hand)			Note	305A	94513	Screw-Hex. Head
183	390406	Strap-Fuel Tank (Right Hand)			93535 Screw-Sem Used on Engines With Rewind Start Only.	387	491922	Pump-Fuel
183A	390405	Strap-Fuel Tank (Left Hand)	240	298090	Filter-Fuel	527	221428	Clamp (2)
184	93803	Screw-Hex. Hd.				601	93053	Clamp-Fuel Pipe
185	90970	Nut-Square				683	93572	Screw
						725A	222175	Shield-Heat
						788	224431	Bracket-Fuel Pump
						958	493960	Valve-Fuel Shut-Off

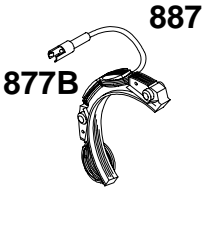

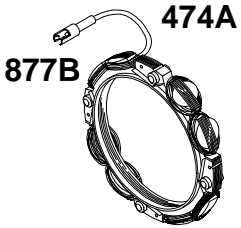



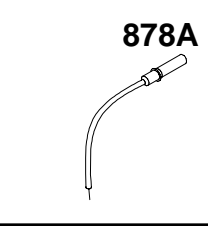
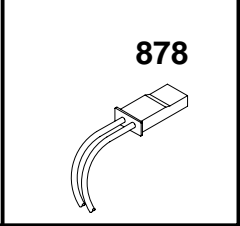
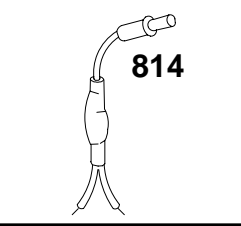
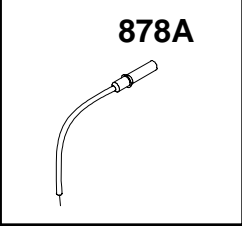
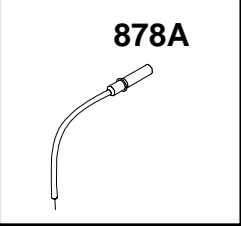
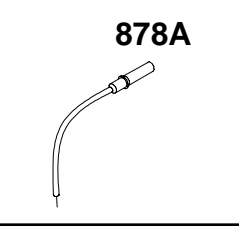
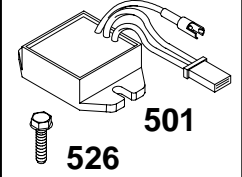
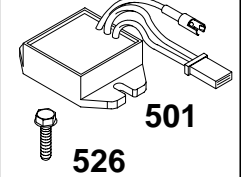
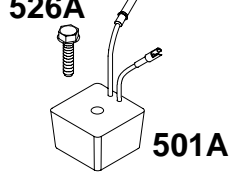
- ★ Included in Gasket Set-Part No. 393411.
- Included in Carburetor Kit-See Ref. 121.
- ◆ Included in Carburetor Gasket Set-Part No. 494385.



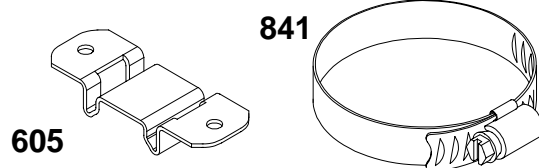
REF. NO.	PART NO.	DESCRIPTION	REF. NO.	PART NO.	DESCRIPTION	REF. NO.	PART NO.	DESCRIPTION
23A	392157	Flywheel (For Rewind Start Engines)	59	490653	Insert-Starter Grip	70	298799	Ratchet-Clutch
55	393576	Housing Rewind Starter (Includes 63" Rope)	60	490652	Grip-Starter Rope	71	394506	Washer-Retainer
56	295871	Pulley-Rewind Starter	63	260414	Spring-Ratchet	73	221796	Screen-Rotating
57	490179	Spring-Rewind Starter	64	230543	Adapter-Spring	74	93758	Screw-Sem
58	66884	Rope-Starter (63" Long)	65	94128	Screw-Hex. Head	373	92987	Nut-Hex.
			66	399671	Clutch-Starter	608	390391	Starter-Rewind
			67	394897	Housing-Clutch	655	222598	Anchor-Spring
			68	63770	Ball-Clutch	949	280685	Guard-Rewind Starter
						1016	490817	Spacer.

- ★ Included in Gasket Set-Part No. 393411.
- Included in Carburetor Kit-See Ref. 121.
- ◆ Included in Carburetor Gasket Set-Part No. 494385.

257700 to 257799

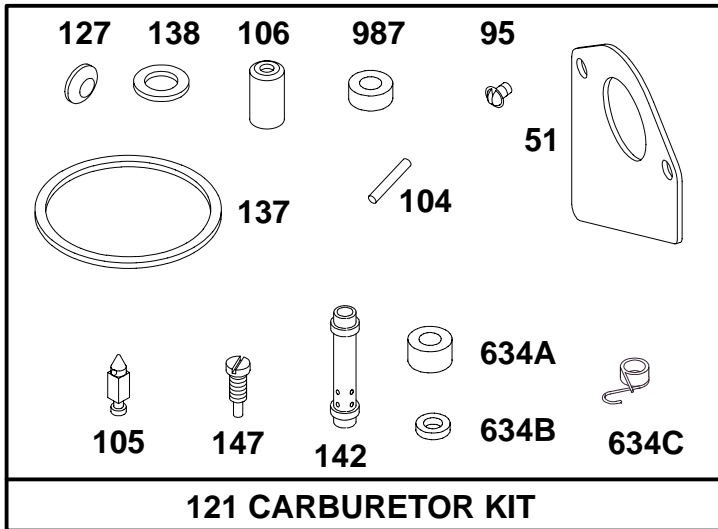
DC ONLY	DUAL CIRCUIT	TRI-CIRCUIT	10 AMP	16 AMP	9 AMP
SEE FLYWHEEL ASSEMBLY	SEE FLYWHEEL ASSEMBLY	SEE FLYWHEEL ASSEMBLY	SEE FLYWHEEL ASSEMBLY	SEE NOTE UNDER FLYWHEEL ASSEMBLY	SEE NOTE UNDER FLYWHEEL ASSEMBLY
 877B	 474	 474A	 474B	 474B	 474A
 878A	 878	 814	 878A	 878A	 878A
			 501 526	 501 526	 501A 526A

NOTE: ALL STATORS USE NO. 482 MOUNTING SCREW.

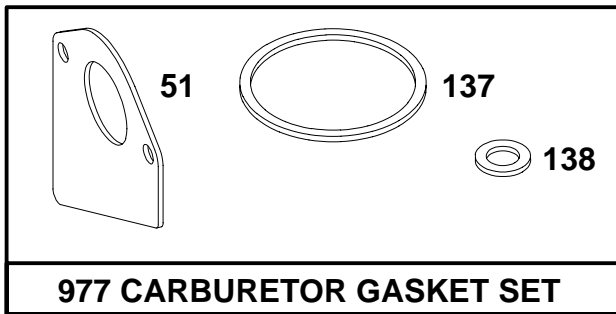


REF. NO.	PART NO.	DESCRIPTION	REF. NO.	PART NO.	DESCRIPTION	REF. NO.	PART NO.	DESCRIPTION
474	393474	Stator-Alternator (Dual Circuit)	501A	491546	Regulator-Alternator (9 Amp.)	877A	393537	Connector Assy. (Tri-Circuit)
474A	392595	Stator-Alternator (Tri-Circuit)	526	93343	Screw-Regulator	877B	393814	Diode-Isolation (D.C.)
474B	393295	Stator-Alternator (10 or 16 Amp.)	526A	94137	Screw-Regulator	878	393362	Harness-Alternator (Dual Circuit)
482	93621	Screw-Sem	605	222934	Bracket-Regulator	878A	393422	Harness-Alternator
501	394890	Regulator-Alternator (10 or 16 Amp.)	814	392606	Harness-Alternator (Tri-Circuit)	887	391529	Stator-Alternator (D.C.)
			841	393514	Clamp-Regulator			
			877	393456	Diode Assembly (Dual Circuit)			

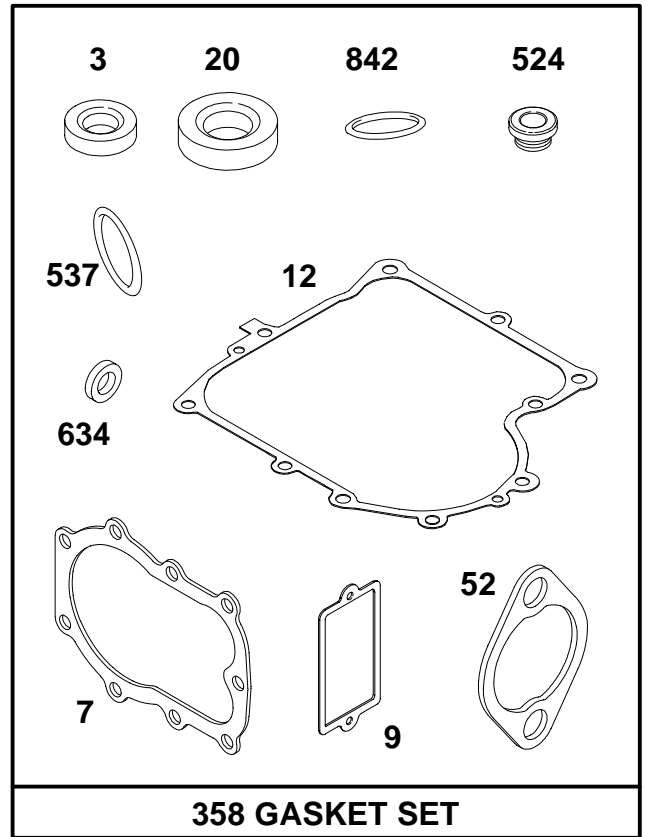
- ★ Included in Gasket Set-Part No. 393411.
- Included in Carburetor Kit-See Ref. 121.
- ◆ Included in Carburetor Gasket Set-Part No. 494385.



121 CARBURETOR KIT



977 CARBURETOR GASKET SET

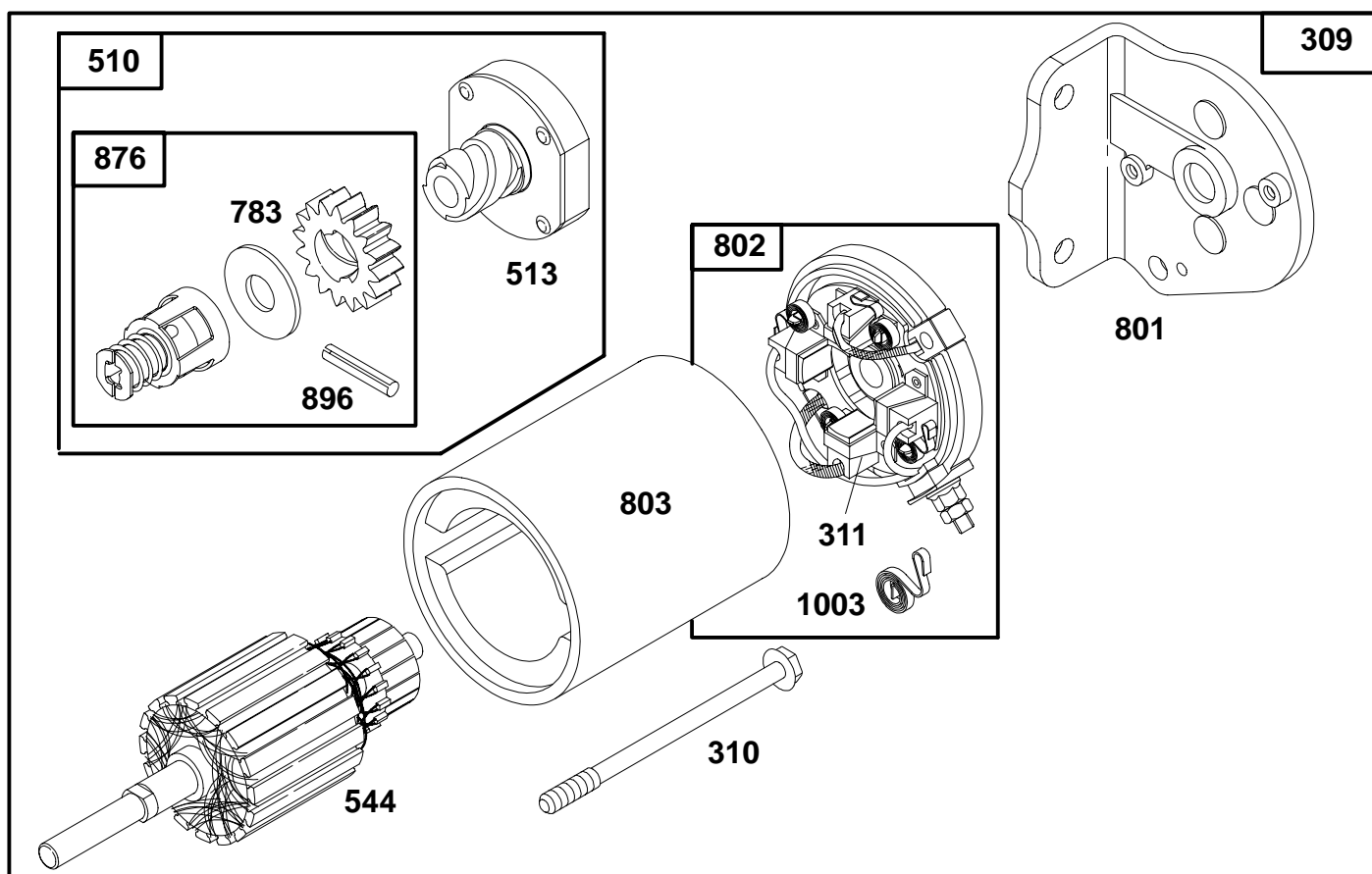


358 GASKET SET

REF. NO.	PART NO.	DESCRIPTION	REF. NO.	PART NO.	DESCRIPTION	REF. NO.	PART NO.	DESCRIPTION
3	★391086	Seal—Oil	52	★270872	Gasket—Carburetor (Elbow to Cylinder)	142		Nozzle—Carburetor See Last Pages.
7	★271866	Gasket—Cylinder Head	95	●94098	Screw—Throttle	147	●231794	Pilot—Jet
9	★27803	Gasket—Valve Cover	104	●231789	Pin—Float Hinge	358	393411	Gasket Set
12	★271702	Gasket—Crankcase Cover (1/64" Thick)	105		Valve Assy.—Inlet-Needle See Last Pages.	524	★68838	Seal—Filler Tube
		★270915	106		Inlet Valve Seat See Last Pages.	537	★281106	O-Ring—Air Cleaner
		★270916	121		Carburetor Kit See Last Pages.	634	★491323	Seal—Governor
			127	●	Plug—Welch (Sold in Kit Only).	634A	●281168	Seal—Choke Shaft
20	★291675	Seal—Oil	137	◆◆281165	Gasket—Float Bowl	634B	●281167	Washer—Throttle Shaft
51	◆◆272465	Gasket—Carburetor (Carb. to Elbow)	138	◆◆281164	Washer—Float Bowl Screw	634C	●494453	Seal & Spring Assy.
						842	★270920	Seal—Oil Filler Cap
						977	494385	Carburetor Gasket Set
						987	●281166	Seal—Throttle Shaft

★ Included in Gasket Set—Part No. 393411.
 ● Included in Carburetor Kit—See Ref. 121.
 ◆ Included in Carburetor Gasket Set—Part No. 494385.

257700 to 257799



REF. NO.	PART NO.	DESCRIPTION	REF. NO.	PART NO.	DESCRIPTION	REF. NO.	PART NO.	DESCRIPTION
309	394805	Motor-Starting (For 3-21/32" Hsg.)		495878	Drive-Starter (For 4-3/8" Housing)	802	395537	Cap-End (For 3-21/32" Hsg.)
	399169	Motor-Starting (For 4-9/16" Housing)	513	398003	Clutch Assembly		490310	Cap-End. (For 4-9/16" Housing)
	494990	Motor-Starting (For 4-3/8" Housing)	544	390837	Armature Assembly (For 3-21/32" Hsg.)		494988	Cap-End (For 4-3/8" Housing)
310	94003	Bolt-Thru (For 3-21/32" Hsg.)		490309	Armature Assy. (For 4-3/8" and 4-9/16" Housings)	803	398159	Housing Assembly (3-21/32" Long)
	94004	Bolt-Thru (For 4-3/8" Housing)	727	490324	Cover-Starter (Includes Mtg. Screws)		399172	Housing Assy. (4-9/16" Long)
	94169	Bolt-Thru (For 4-9/16" Housing)		—————	Note —————		494205	Housing Assy. (For 4-3/8" Housing)
311	395538	Brush Assy. (For 3-21/32" Hsg.)		490429	Guard- Ring Gear (Includes Mtg. Screws) Used on Type No(s). 0102, 4016.	876	490467	Retainer and Pin 495877 Retainer and Pin (For 4-3/8" Housing)
	490311	Brush Assy. (For 4-9/16" Housing)	728	93535	Screw-Sem	896	94288	Roll Pin
423	94073	Screw-Sem —————	729	224723	Retainer-Wire	1003	490316	Spring-Brush
	93705	Screw-Hex. Hd. Used on Type No(s). 0102.	783	280104	Gear			
510	490421	Drive-Starter	801	394856	Cap-Drive			

- ★ Included in Gasket Set-Part No. 393411.
- Included in Carburetor Kit-See Ref. 121.
- ◆ Included in Carburetor Gasket Set-Part No. 494385.

257700 to 257799

REF. NO.	PART NO.	DESCRIPTION	REF. NO.	PART NO.	DESCRIPTION	REF. NO.	PART NO.	DESCRIPTION
16	491647	Crankshaft <div style="margin-left: 20px;"> Note For Timing Gear Key— Order Part No. 94196. 491646 Crankshaft Used on Type No(s). 4009. </div>			<div style="margin-left: 20px;"> Note 231856 Seat–Inlet Used on Pump Feed Carb. (Used After Code Date 92071900). 281178 Seat–Inlet Used on Pump Feed Carb. (Used Before Code Date 92072000). </div>			<div style="margin-left: 20px;"> Note 494878 Nozzle–Carb. OR 495604 Nozzle–Carb. (High Altitude) Include(s): 281164 Seal–Bowl Screw Used on Type No(s). 0123, 0124, 0127. 727 395405 Cover–Starter <div style="margin-left: 20px;"> Note 223597 Guard– Ring Gear Use(s): 93712 Screw 93713 Lockwasher Used on Type No(s). 0103, 0104, 0130. 221968 Guard– Upper Ring Gear Use(s): 93712 Screw 93713 Lockwasher Used on Type No(s). 0103, 0104, 0130. </div> </div>
105	231855	Valve–Inlet Needle (Used After Code Date 92071900). <div style="margin-left: 20px;"> Note 231790 Valve–Inlet Needle (Used Before Code Date 92072000). </div>	121	495837	Carburetor Kit (Used After Code Date 92071900). <div style="margin-left: 20px;"> Note 494882 Carburetor Kit (Used Before Code Date 92072000). </div>			
106	231854	Seat–Inlet Valve (Used After Code Date 92071900). 281169 Seat–Inlet Valve (Used Before Code Date 92072000).	142	494876	Nozzle–Carburetor OR 495607 Nozzle–Carb. (High Altitude) Include(s): 281164 Seal–Bowl Screw			

- ★ Included in Gasket Set–Part No. 393411.
- Included in Carburetor Kit–See Ref. 121.
- ◆ Included in Carburetor Gasket Set–Part No. 494385.