

**259700 to 259799**

# **Illustrated Parts List**

## **Model Series**

# **259700 to 259799**

## **Industrial/Commercial**

### TYPE NUMBERS

0102, 0104,  
0116 through 0119,  
0126, 0127, 0133,  
0146, 4015, 4016,  
4025 through 4029.

### TO FIND

#### **THE CORRECT NUMBER OF THE PART YOU NEED: FOLLOW THE INSTRUCTIONS BELOW**

- A. Refer to the Engine Model, Type and Code Number that is stamped on the blower housing of engine. Engine type numbers such as 0123 01 are listed only as 0123 in most instances. The two digits (01 or 02, etc.) to the right of the space may be required for more accurate parts identification in some instances. Select the Illustrated Parts List covering the correct Model Series and Type Number.
- B. Refer to the illustrations and compare the original part with illustration. The number next to the illustration is the Reference Number. Assemblies include all parts shown in frames. All parts shown in assembly frames having individual reference numbers can be purchased separately.
- C. After the Reference Number has been identified, refer to the Numerical text, where Reference and Primary Part Number are listed. **THE PRIMARY PART IS USED ON ALL TYPE NUMBERS EXCEPT THOSE TYPE NUMBERS UNDER "NOTE."**
- D. If a "Note" appears below the Primary Part Number, it means that this part differs from the Primary Part for certain types. If your Type number is listed under "Note," order the part referred to at the "Note."
- E. If your Engine Type Number does not appear after any part number listed under "Note," use the Primary Part Number.
- F. For Engine Type Numbers not covered by this book, check other Parts Lists having the same engine model or contact your source of supply.

PRINTED IN U.S.A.

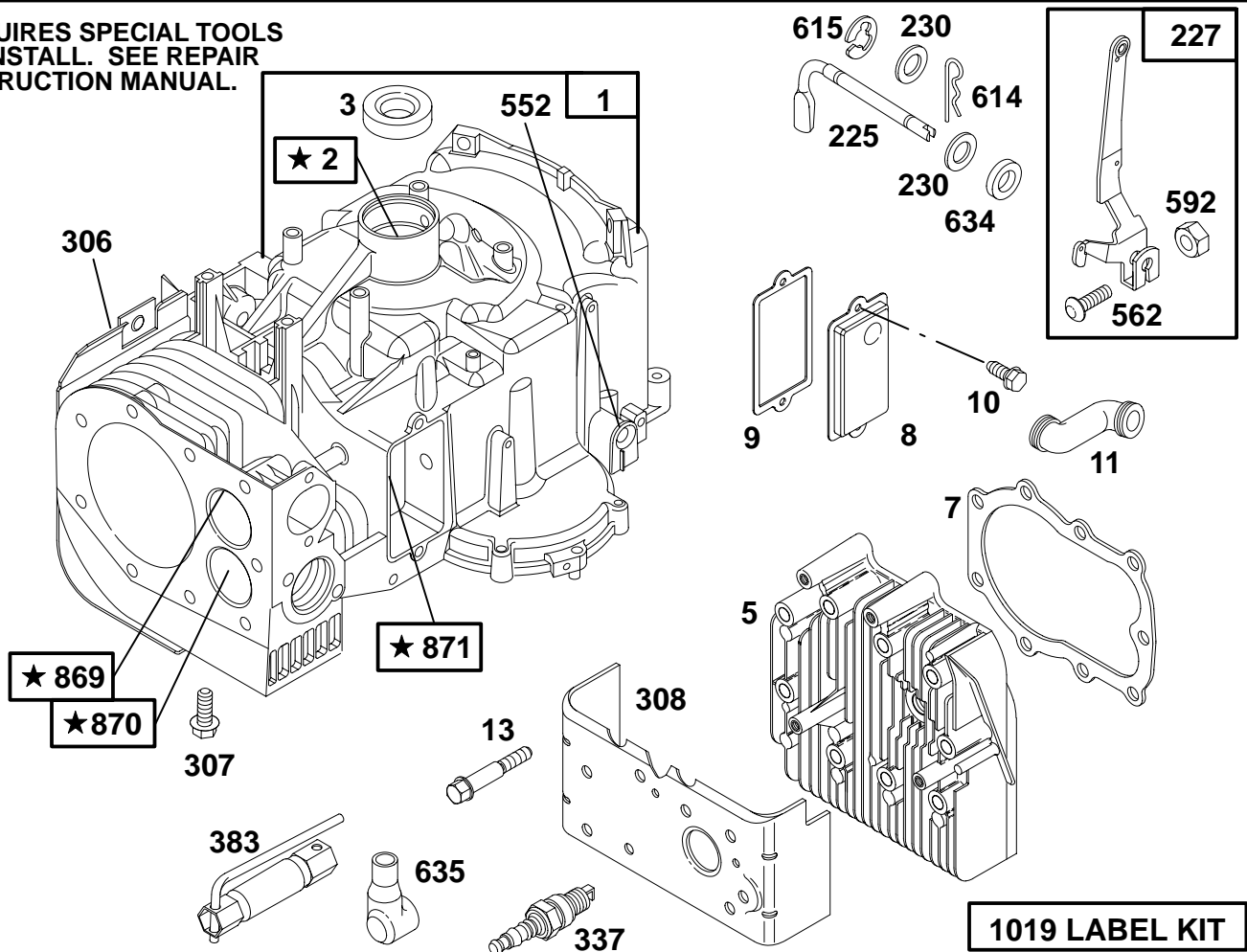
COPYRIGHT©

**BRIGGS & STRATTON**

®

# 259700 to 259799

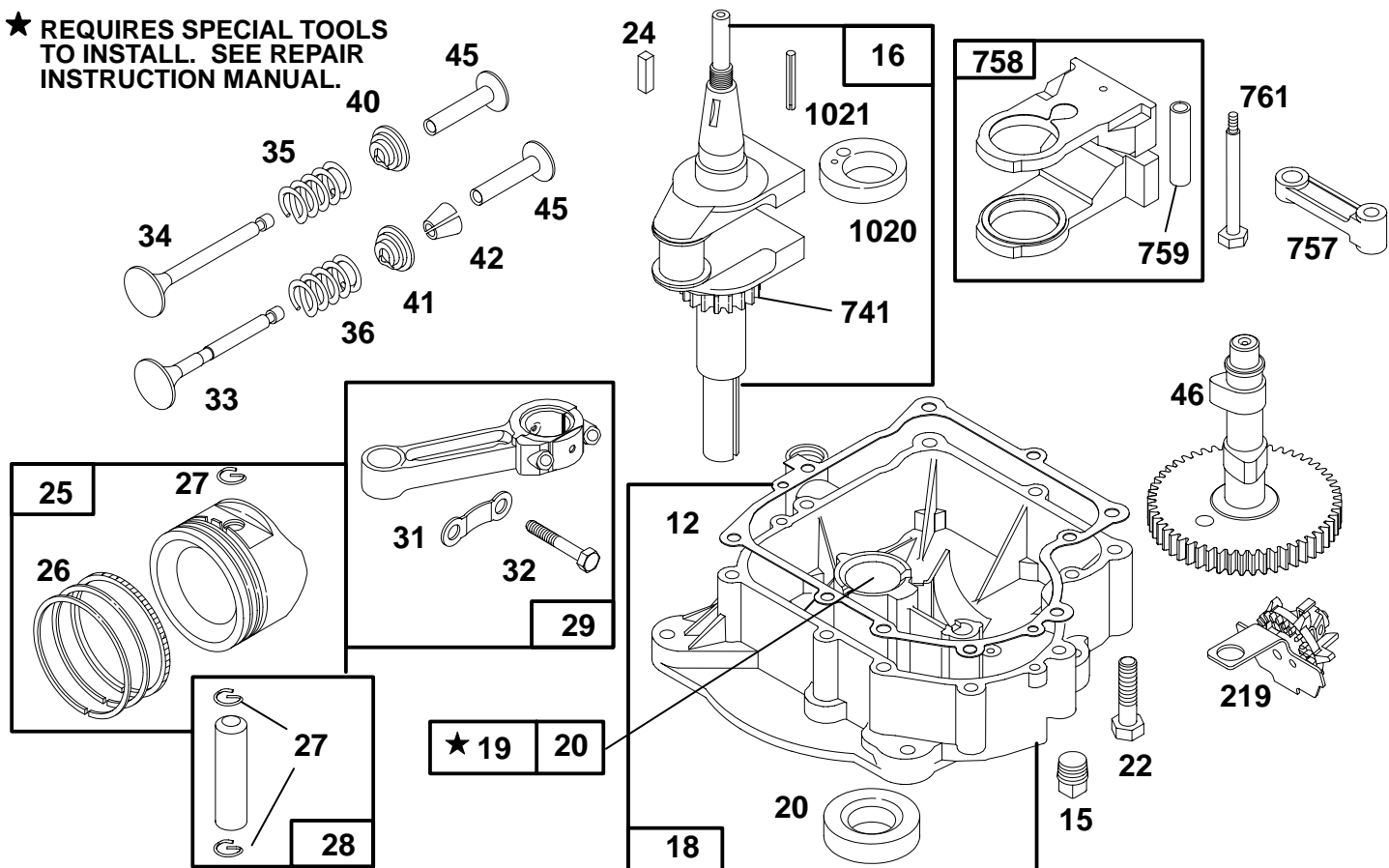
★ REQUIRES SPECIAL TOOLS TO INSTALL. SEE REPAIR INSTRUCTION MANUAL.



| REF. NO. | PART NO. | DESCRIPTION          | REF. NO. | PART NO. | DESCRIPTION   | REF. NO. | PART NO.           | DESCRIPTION         |
|----------|----------|----------------------|----------|----------|---|----------|--------------------|---------------------|
| 1        | 495729   | Cylinder Assembly    | 230      | 94742    | Washer—Gov. Crank                                     | 614      | 93306              | Pin—Cotter          |
| 2        | 399265   | Bushing              | 306      | 224542   | Shield—Cylinder                                       | 615      | 93307              | Retainer—E-Ring     |
| 3        | ★391086  | Seal—Oil             | 307      | 93949    | Screw—Sem   | 634      | ★491323            | Seal—Governor       |
| 5        | 212914   | Head—Cylinder        | 308      | 222725   | Cover—Cylinder Head                                   | 635      | 66538              | Elbow—Spark Plug    |
| 7        | ★271866  | Gasket—Cylinder Head | 337      | 802592   | Plug—Spark<br>(Resistor Type)<br>(1-7/8" High, 47 mm) | 869      | 261463             | Seat—Intake Valve   |
| 8        | 391406   | Breather Assembly    | 383      | 89838    | Wrench—Spark Plug                                     | 870      | 213316             | Seat—Exhaust Valve  |
| 9        | ★27803   | Gasket—Breather      | 552      | 231597   | Bushing—Gov. Crank                                    | 871      | 261961             | Guide—Exhaust Valve |
| 10       | 94621    | Screw—Sem            | 562      | 92613    | Bolt—Governor Lever                                   | — Note — |                    |                     |
| 11       | 280100   | Tube—Breather        | 592      | 231082   | Nut—Hex.  | 231218   | Guide—Intake Valve |                     |
| 13       | 93723    | Screw—Cylinder Head  |          |          |   | 1019     | 491254             | Label Kit           |
| 225      | 231058   | Crank—Governor       |          |          |   |          |                    |                     |
| 227      | 493935   | Lever Assy.—Governor |          |          |   |          |                    |                     |

- ★ Included in Gasket Set—Part No. 393411.
- Included in Carburetor Kit—See Ref. 121.
- ◆ Included in Carburetor Gasket Set—Part No. 494385.

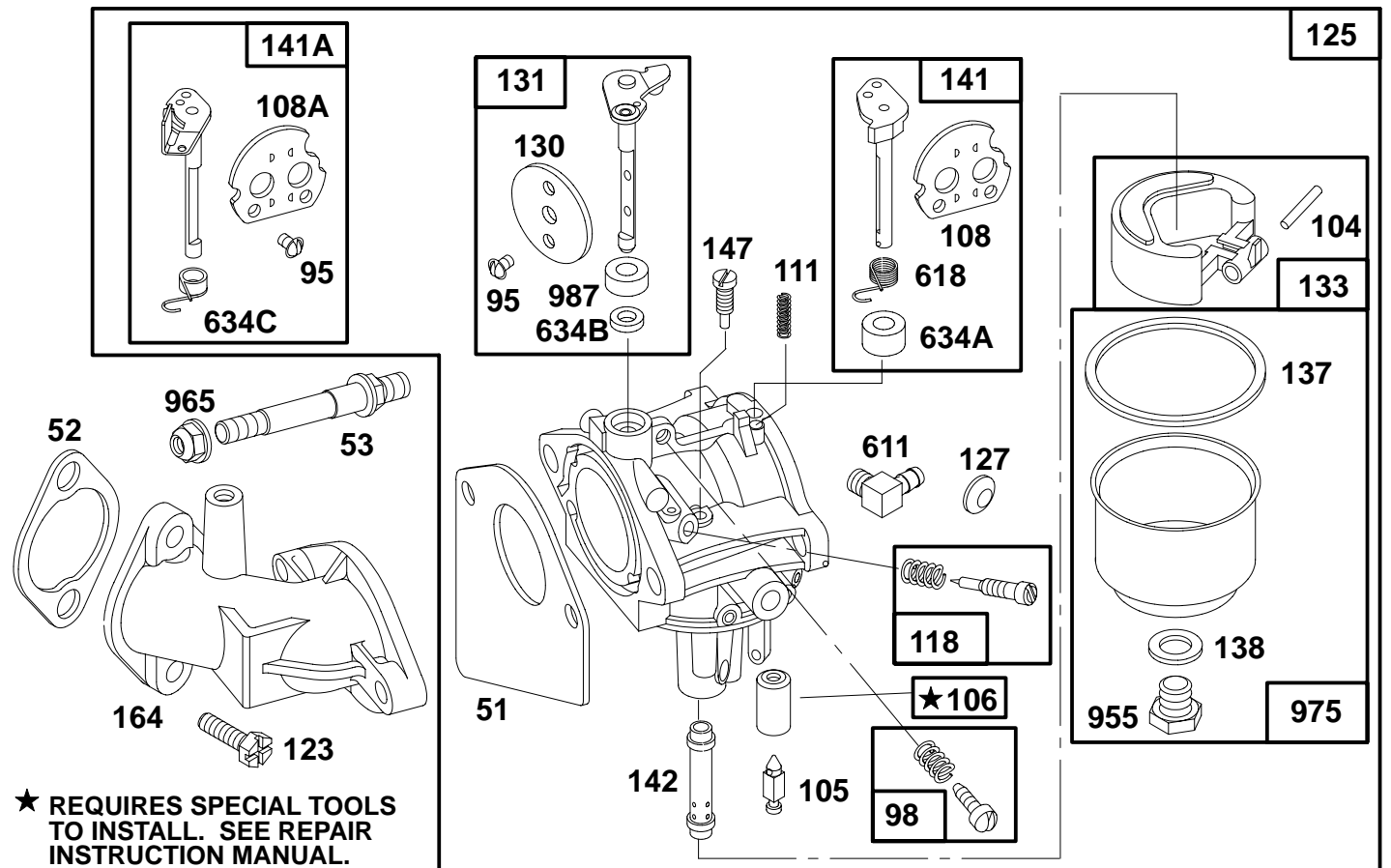
★ REQUIRES SPECIAL TOOLS TO INSTALL. SEE REPAIR INSTRUCTION MANUAL.



| REF. NO. | PART NO. | DESCRIPTION                                 | REF. NO. | PART NO. | DESCRIPTION                           | REF. NO. | PART NO. | DESCRIPTION              |
|----------|----------|---|----------|----------|---------------------------------------|----------|----------|--------------------------|
| 12       | ★271702  | Gasket-Crankcase (.015" Thick)              |          |          | 394662 Piston Assy. (.010" O.S.)      | 31       | 222299   | Lock-Screw               |
|          |          | ★270915 Gasket-Crankcase (.005" Thick)      |          |          | 394663 Piston Assy. (.020" O.S.)      | 32       | 92909    | Screw-Connecting Rod     |
|          |          | ★270916 Gasket-Crankcase (.009" Thick)      |          |          | 394664 Piston Assy. (.030" O.S.)      | 33       | 261185   | Valve-Exhaust            |
| 15       | 94239    | Plug-Oil Drain                              |          |          | 392331 Piston Assy. (Chrome Standard) | 34       | 261462   | Valve-Intake             |
| 16       | 491647   | Crankshaft                                  | 26       | 391780   | Ring Set (Standard)                   | 35       | 65906    | Spring-Valve (Intake)    |
|          |          | <b>Note</b>                                 |          |          | 391781 Ring Set (.010" O.S.)          | 36       | 26828    | Spring-Valve (Exhaust)   |
|          |          | For Timing Gear Key Order Part No. 94196.   |          |          | 391782 Ring Set (.020" O.S.)          | 40       | 221596   | Retainer-Valve (Intake)  |
|          |          | 491646 Crankshaft Used on Type No(s). 4027. |          |          | 391783 Ring Set (.030" O.S.)          | 41       | 292260   | Rotocoil-Valve (Exhaust) |
| 18       | 391784   | Sump-Engine                                 | 27       | 260924   | Lock-Piston Pin                       | 42       | 93630    | Retainer-Valve (Exhaust) |
| 19       | 490666   | Bushing                                     | 28       | 299691   | Pin-Piston (Standard)                 | 45       | 262248   | Tappet-Valve             |
| 20       | ★291675  | Seal-Oil                                    |          |          | 391286 Pin-Piston (.005" O.S.)        | 46       | 212897   | Gear-Cam                 |
| 22       | 94385    | Screw-Base Mtg. Sem                         | 29       | 490348   | Rod-Connecting (Standard)             | 219      | 490815   | Gear-Governor            |
| 24       | 222698   | Key-Flywheel                                |          |          | 490469 Rod-Conn (.020" Undersize)     | 741      | 262135   | Gear-Timing              |
| 25       | 394661   | Piston Assy. (Standard)                     |          |          |                                       | 757      | 212359   | Link-Counterweight       |
|          |          |   |          |          |                                       | 758      | 391373   | Counterweight Assy.      |
|          |          |   |          |          |                                       | 759      | 298909   | Pin-Counterweight        |
|          |          |   |          |          |                                       | 761      | 93875    | Screw-Counterweight      |
|          |          |   |          |          |                                       | 1020     | 261242   | Eccentric                |
|          |          |   |          |          |                                       | 1021     | 94160    | Pin-Eccentric            |

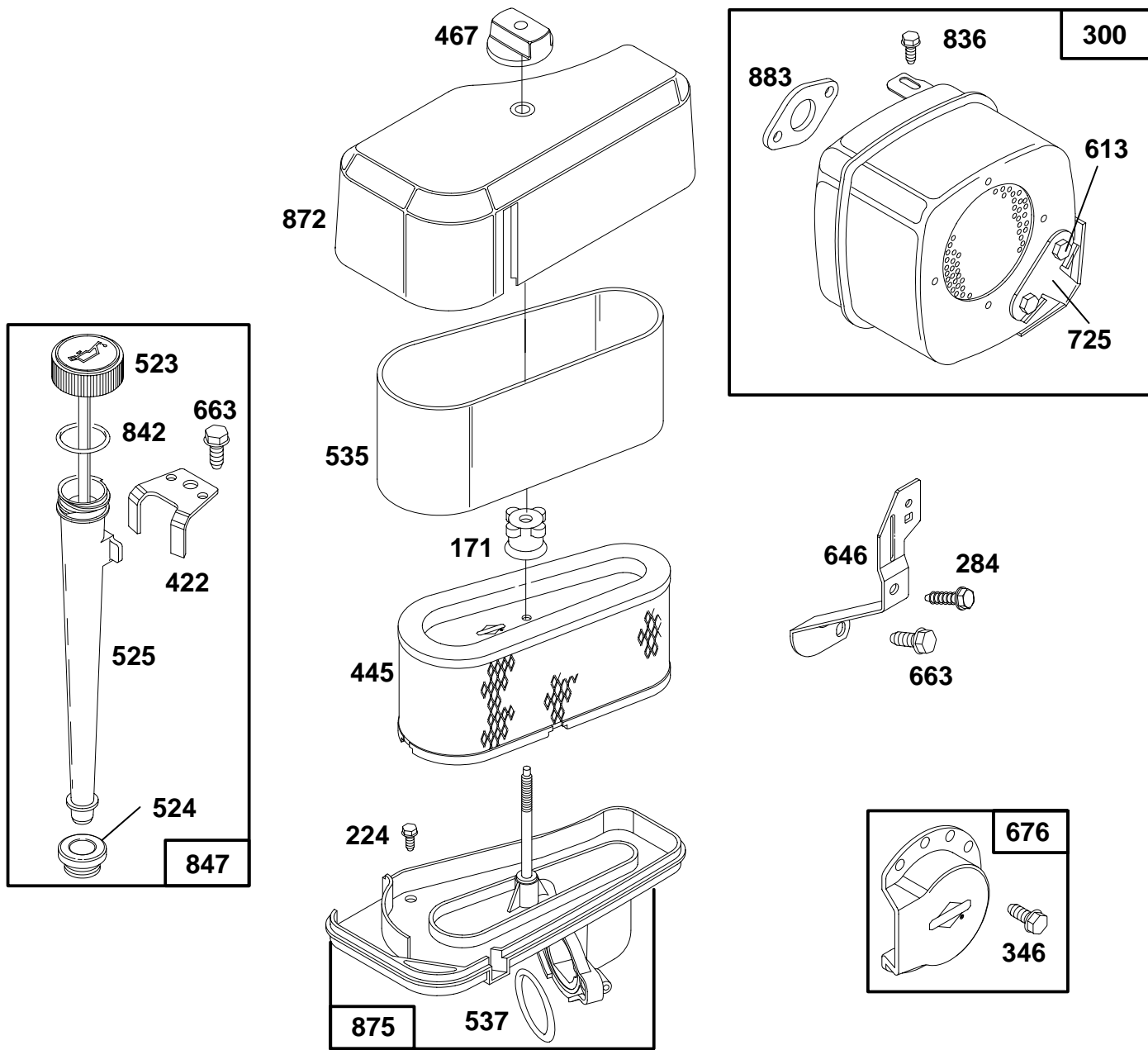
- ★ Included in Gasket Set-Part No. 393411.
- Included in Carburetor Kit-See Ref. 121.
- ◆ Included in Carburetor Gasket Set-Part No. 494385.

# 259700 to 259799



| REF. NO. | PART NO. | DESCRIPTION   | REF. NO. | PART NO. | DESCRIPTION   | REF. NO. | PART NO. | DESCRIPTION  |
|----------|----------|---|----------|----------|---|----------|----------|--|
| 51       | ◆272465  | Gasket-Carburetor   |          | ◆281169  | Seat-Valve<br>(Used Before Code Date 92072000).                       |          |          | <b>Note</b><br>494879 Shaft-Choke<br>(Used Before Code Date 92091500). |
| 52       | ★270872  | Gasket-Carburetor   |          |          |   | 141A     | 495097   | Shaft-Choke<br>(Universal)   |
| 53       | 94637    | Stud-Carb. Mtg.   |          |          |   | 142      | ◆494876  | Nozzle-Carburetor  |
| 95       | ◆94098   | Screw-Throttle  | 108      | 224666   | Valve-Choke   |          |          | <b>Note</b><br>495607 Nozzle-Carb.<br>(High Altitude)                  |
| 98       | 495800   | Screw-Idle Speed<br>(Used After Code Date 92071900).                        | 108A     | 224667   | Valve-Choke   |          |          | <b>Include(s):</b><br>281164 Seal-Bowl<br>Screw                        |
|          |          | <b>Note</b><br>398185 Screw-Idle Speed<br>(Used Before Code Date 92072000). | 111      | 262820   | Spring-Choke Spring   | 147      | ◆231794  | Pilot-Jet  |
| 104      | ◆231789  | Pin-Float Hinge   | 118      | 494383   | Valve-Needle  | 164      | 213819   | Manifold-Intake  |
| 105      | ◆231855  | Valve-Needle<br>(Used After Code Date 92071900).                            | 123      | 94616    | Screw-Elbow Mtg.  | 611      | 494451   | Tube-Pick-Up   |
|          |          | <b>Note</b><br>◆231790 Valve-Needle<br>(Used Before Code Date 92072000).    | 125      | 495778   | Carburetor<br>(Used After Code Date 92071900).                        | 618      | 262803   | Spring   |
| 106      | ◆231854  | Seat-Valve<br>(Used After Code Date 92071900).                              |          |          | <b>Note</b><br>494883 Carburetor<br>(Used Before Code Date 92072000). | 634A     | ◆281168  | Seal-Choke Shaft   |
|          |          | <b>Note</b>   | 127      | ◆        | Plug-Welch<br>(Sold in Kit Only).                                     | 634B     | ◆281167  | Washer-Throttle Shaft  |
|          |          |   | 130      | 224539   | Valve-Throttle  | 634C     | ◆494453  | Seal & Spring Assy.  |
|          |          |   | 131      | 494379   | Shaft-Throttle  | 955      | 94642    | Screw-Fuel Bowl  |
|          |          |   | 133      | 494381   | Float-Carburetor  | 965      | 94108    | Nut-Hex.   |
|          |          |   | 137      | ◆281165  | Gasket-Float Bowl   | 975      | 494378   | Bowl-Float   |
|          |          |   | 138      | ◆281164  | Washer-Float Bowl   | 987      | ◆281166  | Seal-Throttle Shaft  |
|          |          |   | 141      | 495931   | Shaft-Choke<br>(Used After Code Date 92091400).                       |          |          |  |

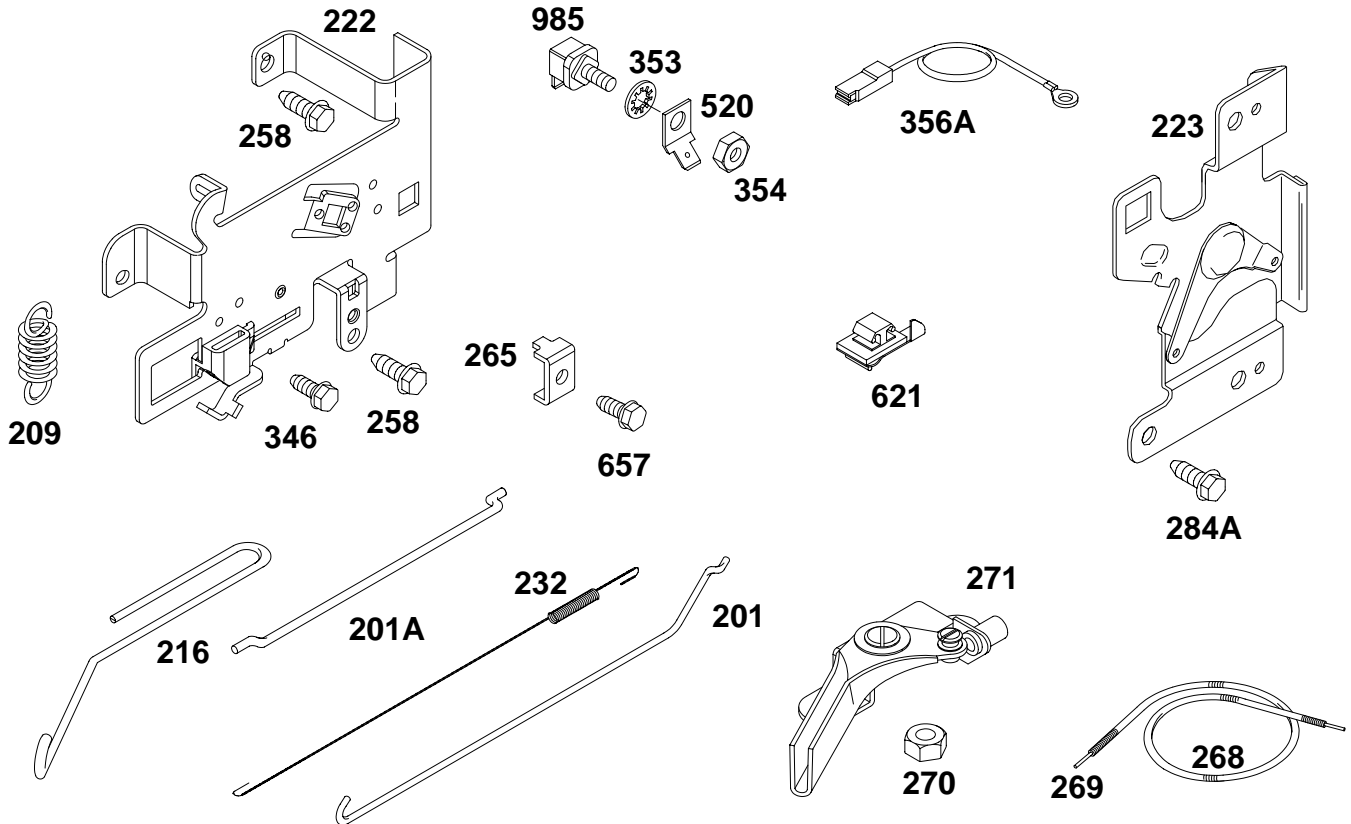
★ Included in Gasket Set-Part No. 393411.  
 ◆ Included in Carburetor Kit-See Ref. 121.  
 ◆ Included in Carburetor Gasket Set-Part No. 494385.



| REF. NO. | PART NO. | DESCRIPTION           | REF. NO. | PART NO. | DESCRIPTION                 | REF. NO. | PART NO. | DESCRIPTION                     |
|----------|----------|-----------------------|----------|----------|-----------------------------|----------|----------|---------------------------------|
| 171      | 281051   | Nut—Air Cleaner Mtg.  | 523      | 391841   | Cap and Dipstick—Oil Filler | 676      | 393761   | Deflector—Muffler (Side Outlet) |
| 224      | 94513    | Screw—Air Cleaner Sem | 524      | ★68838   | Seal—Filler Tube            | 725      | 223023   | Shield—Muffler                  |
| 258      | 94620    | Screw—Hex. Hd.        | 525      | 280134   | Tube—Oil Filler             | 836      | 94513    | Screw—Hex. Hd.                  |
| 284      | 94704    | Screw—Hex. Head       | 535      | 272477   | Filter—Air                  | 842      | ★270920  | Seal—Oil Filler Cap             |
| 300      | 491413   | Muffler—Exhaust       | 537      | ★281106  | Gasket—Air Cleaner          | 847      | 392067   | Fill Group—Oil                  |
| 346      | 93705    | Screw—Hex. Head       | 613      | 93927    | Screw—Hex. Hd.              | 872      | 281105   | Cover—Air Cleaner               |
| 422      | 223394   | Bracket—Oil Fill      | 646      | 224546   | Brace—Air Cleaner           | 875      | 494827   | Base—Air Cleaner                |
| 445      | 493910   | Filter—Air            | 663      | 94620    | Screw—Hex. Hd.              | 883      | ★272293  | Gasket—Exhaust Pipe             |
| 467      | 493903   | Knob                  |          |          |                             |          |          |                                 |

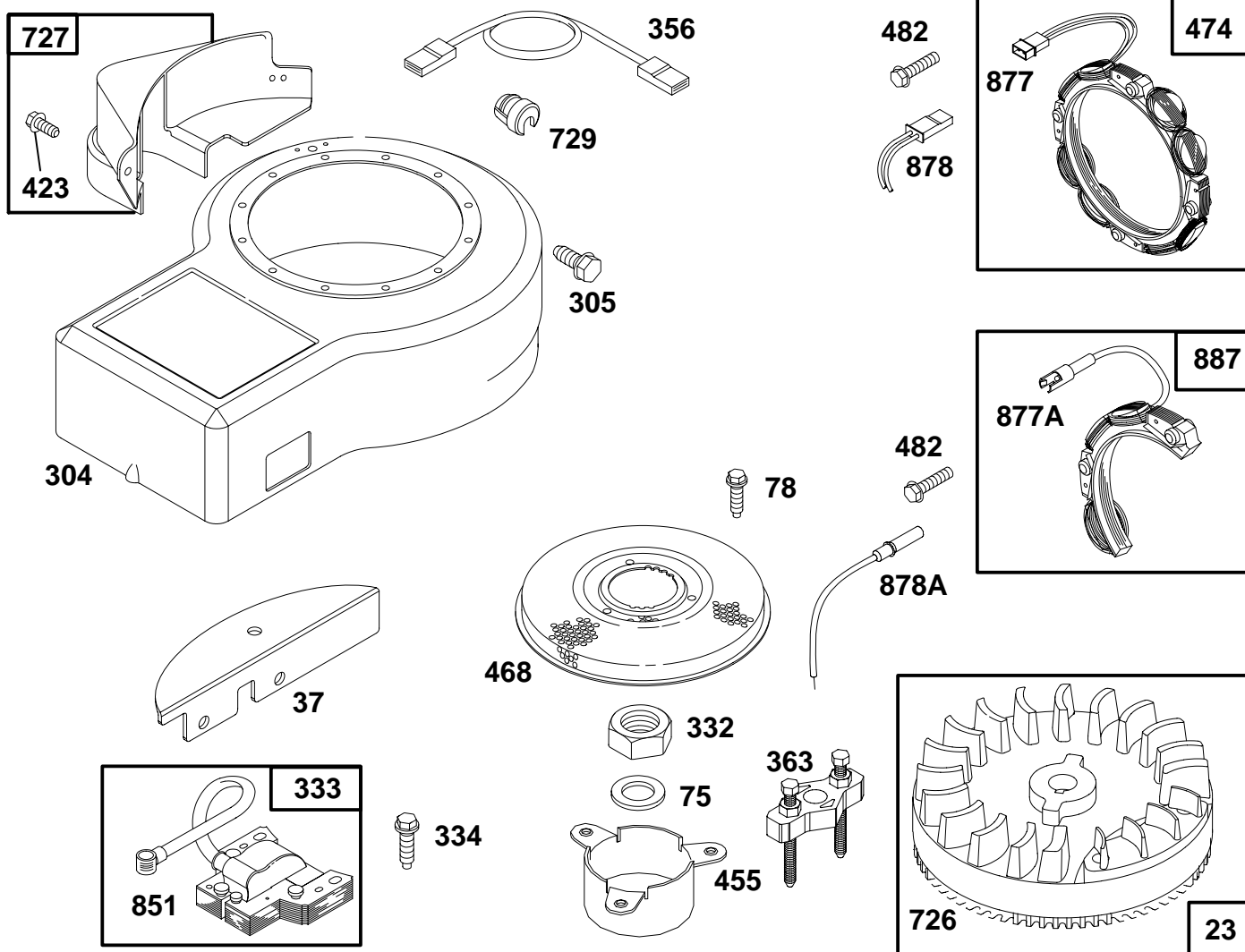
- ★ Included in Gasket Set—Part No. 393411.
- Included in Carburetor Kit—See Ref. 121.
- ◆ Included in Carburetor Gasket Set—Part No. 494385.

# 259700 to 259799



| REF. NO. | PART NO. | DESCRIPTION  | REF. NO. | PART NO. | DESCRIPTION   | REF. NO. | PART NO. | DESCRIPTION  |
|----------|----------|--|----------|----------|---|----------|----------|--|
| 201      | 262767   | Link   | 222      | 493896   | Bracket—Control   | 269      | 26633    | Wire—Control (78" Long)  |
| 201A     | 262828   | Link   |          |          | <b>Note</b>   |          |          | <b>Note</b>  |
| 209      | 262784   | Spring—Governor  |          |          | 494887 Bracket—Control  |          |          | If Longer Wire is Required, Specify Length in Inches; if Shorter Wire is Needed, Order and Cut to Required Length. |
|          |          | <b>Note</b>  |          |          | Used on Engines With Stop Switch (Ref. 621).  | 270      | 63426    | Locknut—Casing   |
|          |          | 260695 Spring—Gov. Used on Type No(s). 0116, 0127, 4027.       | 223      | 494587   | Lever—Gov.  | 271      | 290568   | Lever—Control  |
|          |          | 260871 Spring—Gov. Used on Type No(s). 0102, 0104, 0146, 4025. | 232      | 262785   | Spring—Governor Link  | 284A     | 94620    | Screw—Hex. Hd.   |
|          |          | 261306 Spring—Gov. Used on Type No(s). 0117, 0119, 0126.       | 258      | 94620    | Screw—Hex. Hd.  | 346      | 93705    | Screw—Hex. Head  |
|          |          | 262783 Spring—Gov. Used on Type No(s). 0124, 0125.             | 265      | 221535   | Clamp—Casing  | 353      | 92791    | Washer—Lock  |
| 216      | 262766   | Link   | 268      | 65616    | Casing—Wire (72" Long)  | 354      | 90576    | Nut—Hex.   |
|          |          |  |          |          | <b>Note</b>   | 356A     | 398808   | Wire—Ground  |
|          |          |  |          |          | If Longer Casing is Required, Specify Length in Inches; if Shorter Casing is Needed, Order Part and Cut to Required Length. | 520      | 93722    | Terminal   |
|          |          |  |          |          |   | 621      | 396847   | Switch—Stop  |
|          |          |  |          |          |   | 657      | 93496    | Screw—Sem  |
|          |          |  |          |          |   | 985      | 398525   | Insulator  |

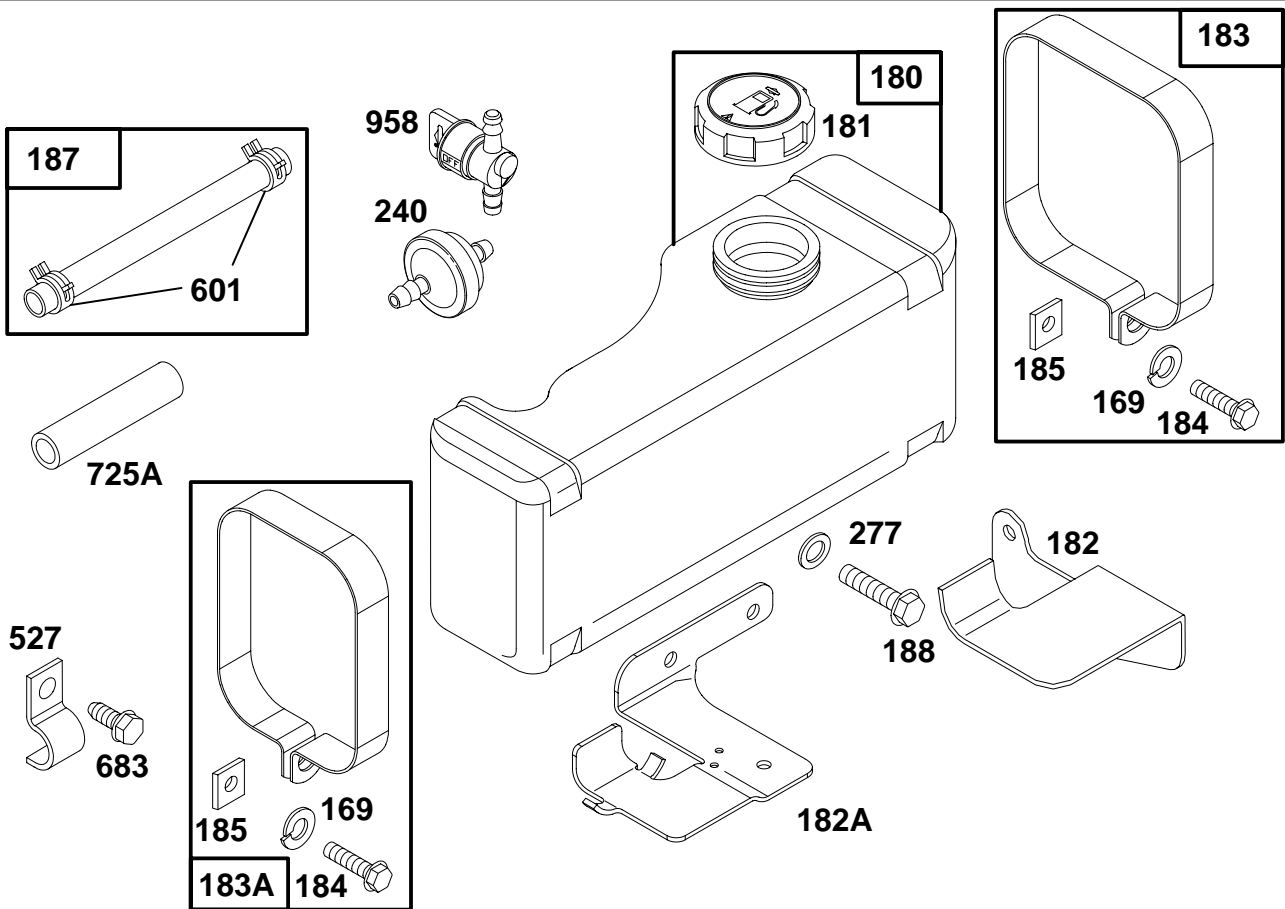
- ★ Included in Gasket Set—Part No. 393411.
- Included in Carburetor Kit—See Ref. 121.
- ◆ Included in Carburetor Gasket Set—Part No. 494385.



| REF. NO. | PART NO. | DESCRIPTION                  | REF. NO. | PART NO. | DESCRIPTION  | REF. NO. | PART NO. | DESCRIPTION                                 |
|----------|----------|------------------------------|----------|----------|--|----------|----------|---|
| 23       | 391988   | Flywheel                     | 482      | 93621    | Screw-Sem  | 729      | 281159   | Clip-Lead Wire                              |
| 37       | 222475   | Guard-Flywheel               | 726      | 392134   | Gear-Ring<br>(Includes Mounting Hardware)              | 851      | 221798   | Terminal-Cable                              |
| 75       | 224061   | Washer-Spring                |          |          |  | 877      | 393456   | Diode and Connector Assy.<br>(Dual Circuit) |
| 78       | 93805    | Screw-Sem                    |          |          |  | 877A     | 393814   | Diode and Connector Assy.<br>(Dual Circuit) |
| 304      | 494087   | Housing-Blower               | 727      | 395405   | Cover-Starter  | 878      | 393362   | Alternator-Harness Assy.<br>(Dual Circuit)  |
| 305      | 94608    | Screw-Sem                    |          |          | <b>Note</b>  | 878A     | 393422   | Alternator Harness Assembly                 |
| 332      | 92284    | Nut-Hex                      |          |          | 223597 Guard-Ring Gear                                 | 887      | 391529   | Alternator<br>(Dual Circuit)                |
| 333      | 398811   | Armature-Magneto             |          |          | 221968 Guard-Upper Ring Gear                           |          |          |   |
| 334      | 93381    | Screw-Sem                    |          |          | <b>Both Guards-Use(s):</b>                             |          |          |   |
| 356      | 494328   | Wire Assembly                |          |          | 93712 Screw  |          |          |   |
| 363      | 19203    | Flywheel Puller              |          |          | 93713 Lockwasher<br>Used on Type No(s).<br>0104, 4015. |          |          |   |
| 423      | 94625    | Screw-Sem                    |          |          |  |          |          |   |
| 455      | 222561   | Cup-Flywheel                 |          |          |  |          |          |   |
| 468      | 222562   | Screen-Rotating              |          |          |  |          |          |   |
| 474      | 393474   | Alternator<br>(Dual Circuit) |          |          |  |          |          |   |

- ★ Included in Gasket Set-Part No. 393411.
- Included in Carburetor Kit-See Ref. 121.
- ◆ Included in Carburetor Gasket Set-Part No. 494385.

# 259700 to 259799



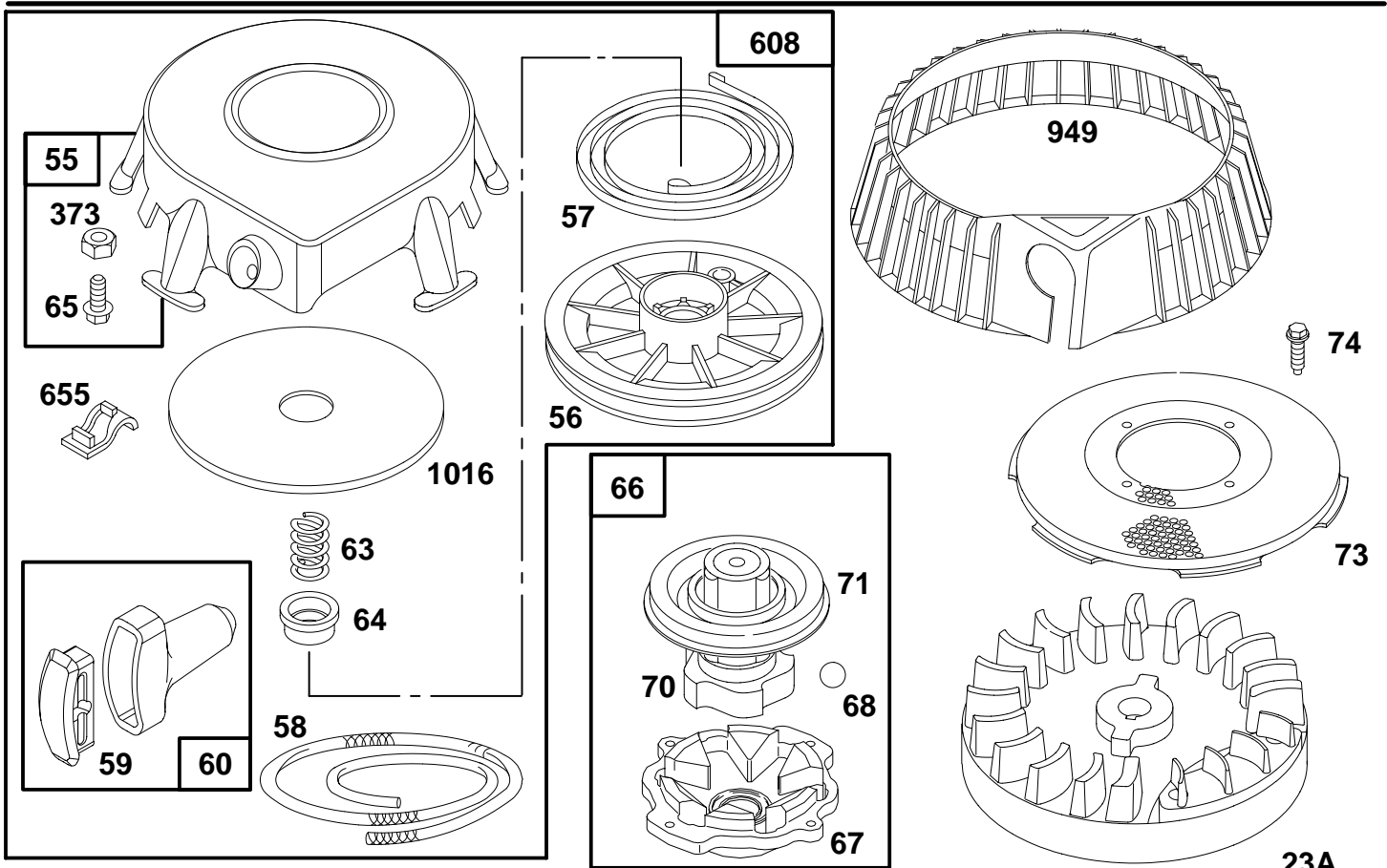
| REF. NO. | PART NO. | DESCRIPTION                  | REF. NO. | PART NO. | DESCRIPTION  | REF. NO. | PART NO. | DESCRIPTION   |
|----------|----------|------------------------------|----------|----------|--|----------|----------|---|
| 169      | 90832    | Washer-Lock                  | 187      | 393815   | Line-Fuel (11" Long, Cut to Required Length).        | 240      | 298090   | Filter-Fuel   |
| 180      | 390225   | Tank-Fuel (3 Quart.)         |          |          | <b>Note</b>  | 277      | 22776    | Washer-Flat<br>Used on Engines With Electric Start.     |
| 181      | 493988   | Cap-Fuel Tank                |          | 299146   | Line-Fuel (28" Long, Cut to Required Length).        |          |          | <b>Note</b>   |
| 182      | 222980   | Brkt.-Fuel Tank (Right Hand) |          |          |  |          |          | 22963 Washer<br>Used on Engines With Rewind Start Only. |
| 182A     | 222979   | Brkt.-Fuel Tank (Left Hand)  | 188      | 93634    | Screw-Sem<br>Used on Engines With Electric Start.    | 527      | 221428   | Clamp-Tube  |
| 183      | 390406   | Strap-Fuel Tank (Right Hand) |          |          | <b>Note</b>  | 601      | 93053    | Clamp-Hose  |
| 183A     | 390405   | Strap-Fuel Tank (Left Hand)  |          | 93535    | Screw-Sem<br>Used on Engines With Rewind Start Only. | 683      | 93572    | Screw   |
| 184      | 93803    | Screw-Hex. Hd.               |          |          |  | 725A     | 222175   | Shield-Heat   |
| 185      | 90970    | Nut-Square                   |          |          |  | 958      | 493960   | Valve-Shut-Off  |

- ★ Included in Gasket Set-Part No. 393411.
- Included in Carburetor Kit-See Ref. 121.
- ◆ Included in Carburetor Gasket Set-Part No. 494385.

2556-8

**Assemblies include all parts shown in frames.**

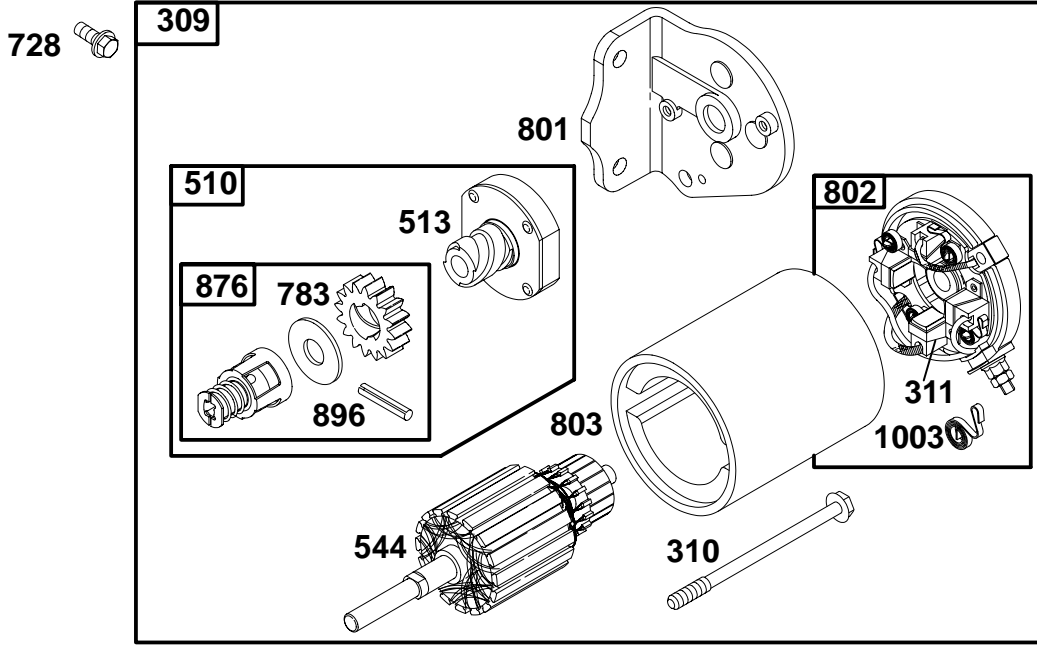




| REF. NO. | PART NO. | DESCRIPTION                                   | REF. NO. | PART NO. | DESCRIPTION         | REF. NO. | PART NO. | DESCRIPTION          |
|----------|----------|---|----------|----------|---------------------|----------|----------|----------------------|
| 23A      | 392157   | Flywheel<br>(For Rewind Start Engines)        | 59       | 490653   | Insert-Starter Grip | 70       | 298799   | Ratchet-Clutch       |
| 55       | 393576   | Housing-Rewind Starter<br>(Includes 63" Rope) | 60       | 490652   | Grip-Starter Rope   | 71       | 394506   | Washer-Retainer      |
| 56       | 295871   | Pulley-Starter                                | 63       | 260414   | Spring-Ratchet      | 73       | 221796   | Screen-Rotating      |
| 57       | 490179   | Spring-Rewind Starter                         | 64       | 230543   | Adapter-Spring      | 74       | 93758    | Screw-Sem            |
| 58       | 66884    | Rope-Starter<br>(63" Long)                    | 65       | 94128    | Screw-Hex. Head     | 373      | 92987    | Nut-Hex.             |
|          |          |   | 66       | 399671   | Clutch-Starter      | 608      | 390391   | Starter-Rewind       |
|          |          |   | 67       | 394897   | Housing-Clutch      | 655      | 222598   | Anchor-Spring        |
|          |          |   | 68       | 63770    | Ball-Clutch         | 949      | 280685   | Guard-Rewind Starter |
|          |          |   |          |          |                     | 1016     | 490817   | Spacer.              |

- ★ Included in Gasket Set-Part No. 393411.
- Included in Carburetor Kit-See Ref. 121.
- ◆ Included in Carburetor Gasket Set-Part No. 494385.

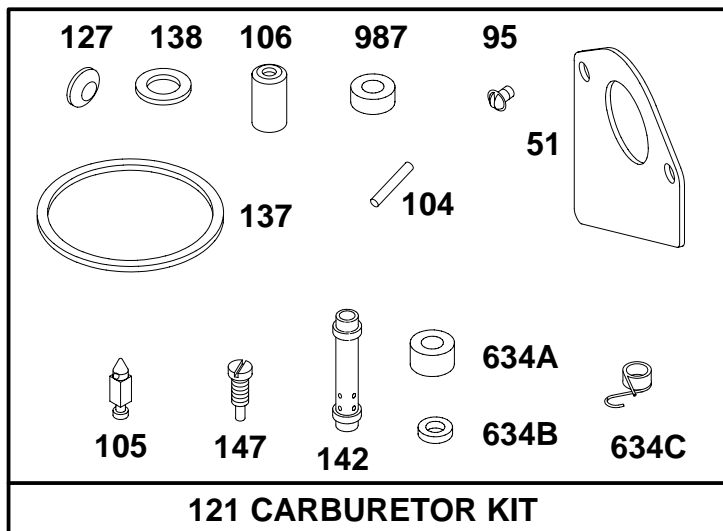
# 259700 to 259799



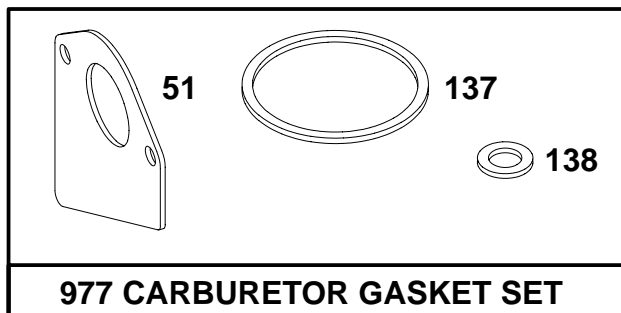
| Reference Number  |                | 309             | 310        | 311       | 510            | 544               | 801        | 802      | 803              | 1003           |        |
|-------------------|----------------|-----------------|------------|-----------|----------------|-------------------|------------|----------|------------------|----------------|--------|
|                   |                | Motor – Starter | Bolt– Thru | Brush Set | Drive– Starter | Armature –Starter | Cap– Drive | Cap– End | Housing– Starter | Springs –Brush |        |
| Manufacturer      |                |                 |            |           |                |                   |            |          |                  |                |        |
| Briggs & Stratton | Housing Length |                 |            |           |                |                   |            |          |                  |                |        |
|                   | 12V            | 3-21/32"        | ***394805  | 94003     | 395538         | 490421**          | 390837     | 394856   | 395537*          | 398159         | –      |
|                   | 12V            | 4-9/16"         | ***399169  | 94169     | 490311         | 490421**          | 490309     | 394856   | 490310*          | 399172         | 490316 |
|                   | 12V            | 4-3/8"          | ***494990  | 94004     | –              | 495878†           | 490309     | 394856   | 494988           | 492205         | –      |

| REF. NO. | PART NO. | DESCRIPTION                                    | REF. NO. | PART NO. | DESCRIPTION   | REF. NO. | PART NO. | DESCRIPTION                                      |
|----------|----------|--|----------|----------|---|----------|----------|--|
| 309      | 394805   | Motor–Starter<br>(For 3–21/32" Housing Length) | 510      | 490421   | Drive–Starter<br>(For 3–21/32" Housing Length) and<br>(For 4–9/16" Housing Length)  | 802      | 395537   | Cap–End<br>(For 3–21/32" Housing Length)         |
|          | 399169   | Motor–Starter<br>(For 4–9/16" Housing Length)  |          | 495878   | Drive–Starter<br>(For 4–3/8" Housing Length)  |          | 490310   | Cap–End<br>(For 4–9/16" Housing Length)          |
|          | 494990   | Motor–Starter<br>(For 4–3/8" Housing Length)   |          |          |   |          | 494988   | Cap–End<br>(For 4–3/8" Housing Length)           |
| 310      | 94003    | Bolt–Thru<br>(For 3–21/32" Housing Length)     | 513      | 398003   | Clutch–Drive  | 803      | 398159   | Housing–Starter<br>(For 3–21/32" Housing Length) |
|          | 94169    | Bolt–Thru<br>(For 4–9/16" Housing Length)      | 544      | 390837   | Armature–Starter<br>(For 3–21/32" Housing Length)                                   |          | 399172   | Hsg.–Starter<br>(For 4–9/16" Housing Length)     |
|          | 94004    | Bolt–Thru<br>(For 4–3/8" Housing Length)       |          | 490309   | Armature–Starter<br>(For 4–9/16" Housing Length) and<br>(For 4–3/8" Housing Length) |          | 492205   | Hsg.–Starter<br>(For 4–3/8" Housing Length)      |
| 311      | 395538   | Brush Set<br>(For 3–21/32" Housing Length)     | 728      | 93535    | Screw–Sem   | 876      | 495877   | Kit–Spring                                       |
|          | 490311   | Brush Set<br>(For 4–9/16" Housing Length)      | 783      | 280104   | Gear–Starter  |          | 495877   | Kit–Spring                                       |
|          |          |  | 801      | 394856   | Cap–Drive   | 896      | 94288    | Pin–Roll   |
|          |          |  |          |          |   | 1003     | 490316   | Springs–Brush<br>(For 4–9/16" Housing Length)    |

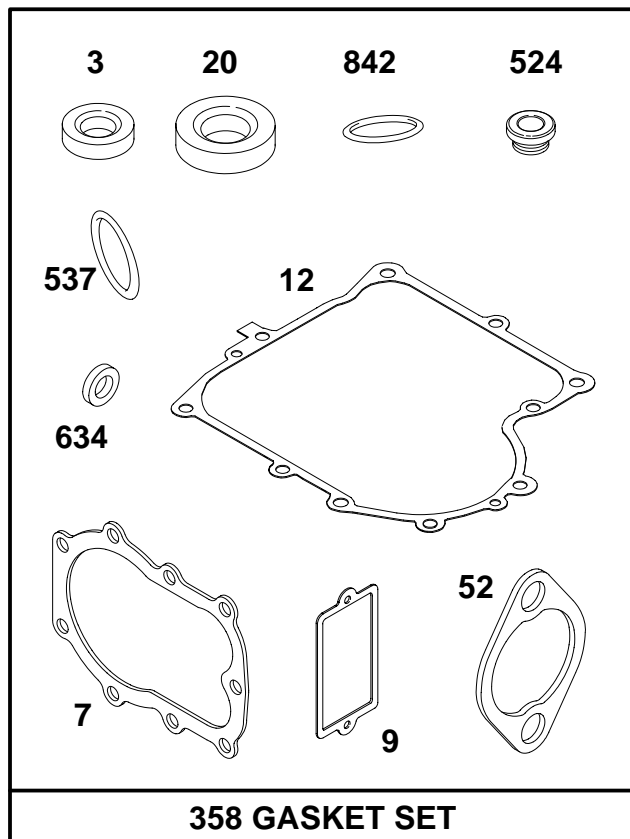
- ★ Included in Gasket Set–Part No. 393411.
- Included in Carburetor Kit–See Ref. 121.
- ◆ Included in Carburetor Gasket Set–Part No. 494385.



121 CARBURETOR KIT



977 CARBURETOR GASKET SET



358 GASKET SET

| REF. NO. | PART NO. | DESCRIPTION                                   | REF. NO. | PART NO. | DESCRIPTION   | REF. NO. | PART NO.              | DESCRIPTION                                  |
|----------|----------|---|----------|----------|---|----------|-----------------------|--|
| 3        | ★391086  | Seal—Oil                                      |          |          | <p align="center"><b>Note</b></p> <p>●231790 Valve—Needle<br/>(Used Before Code Date 92072000).</p> <p>106 ●231854 Seat—Valve<br/>(Used After Code Date 92071900).</p> <p align="center"><b>Note</b></p> <p>●281169 Seat—Valve<br/>(Used Before Code Date 92072000).</p> <p>121 495837 Carburetor Kit<br/>(Used After Code Date 92071900).</p> <p align="center"><b>Note</b></p> <p>494882 Carburetor Kit<br/>(Used Before Code Date 92072000).</p> <p>127 ● Plug—Welch<br/>(Sold in Kit Only).</p> | 137      | ◆281165               | Gasket—Float Bowl                            |
| 7        | ★271866  | Gasket—Cylinder Head                          |          |          |   | 138      | ◆281164               | Washer—Float Bowl                            |
| 9        | ★27803   | Gasket—Breather                               |          |          |   | 142      | ●494876               | Nozzle—Carburetor                            |
| 12       | ★271702  | Gasket—Crankcase (.015" Thick)                |          |          |   |          |                       | <b>Note</b>                                  |
|          | ★270915  | Gasket—Crankcase (.005" Thick)                |          |          |   |          |                       | 495607 Nozzle—Carb. (High Altitude)          |
|          | ★270916  | Gasket—Crankcase (.009" Thick)                |          |          |   |          |                       | <b>Include(s):</b><br>281164 Seal—Bowl Screw |
| 20       | ★291675  | Seal—Oil                                      |          |          |   | 147      | ●231794               | Pilot—Jet                                    |
| 51       | ◆272465  | Gasket—Carburetor (Carb. to Elbow)            |          |          |   | 358      | 393411                | Gasket Set                                   |
| 52       | ★270872  | Gasket—Carburetor (Elbow to Cylinder)         |          |          |   | 524      | ★68838                | Seal—Filler Tube                             |
| 95       | ●94098   | Screw—Throttle                                |          |          |   | 537      | ★281106               | Gasket—Air Cleaner                           |
| 104      | ●231789  | Pin—Float Hinge                               |          |          | 634   | ★491323  | Seal—Governor         |  |
| 105      | ●231855  | Valve—Needle (Used After Code Date 92071900). |          |          | 634A  | ●281168  | Seal—Choke Shaft      |  |
|          |          |   |          |          | 634B  | ●281167  | Washer—Throttle Shaft |  |
|          |          |   |          |          | 634C  | ●494453  | Seal & Spring Assy.   |  |
|          |          |   |          |          | 842   | ★270920  | Seal—Oil Filler Cap   |  |
|          |          |   |          |          | 977   | 494385   | Carburetor Gasket Set |  |
|          |          |   |          |          | 987   | ●281166  | Seal—Throttle Shaft   |  |

- ★ Included in Gasket Set—Part No. 393411.
- Included in Carburetor Kit—See Ref. 121.
- ◆ Included in Carburetor Gasket Set—Part No. 494385.