

280700 to 280799
281700 to 281799

Illustrated Parts List

Model Series

280700 to 280799

TYPE NUMBERS
0111, 0118, 0119,
0125 through 0137
0411, 0414

281700 to 281799

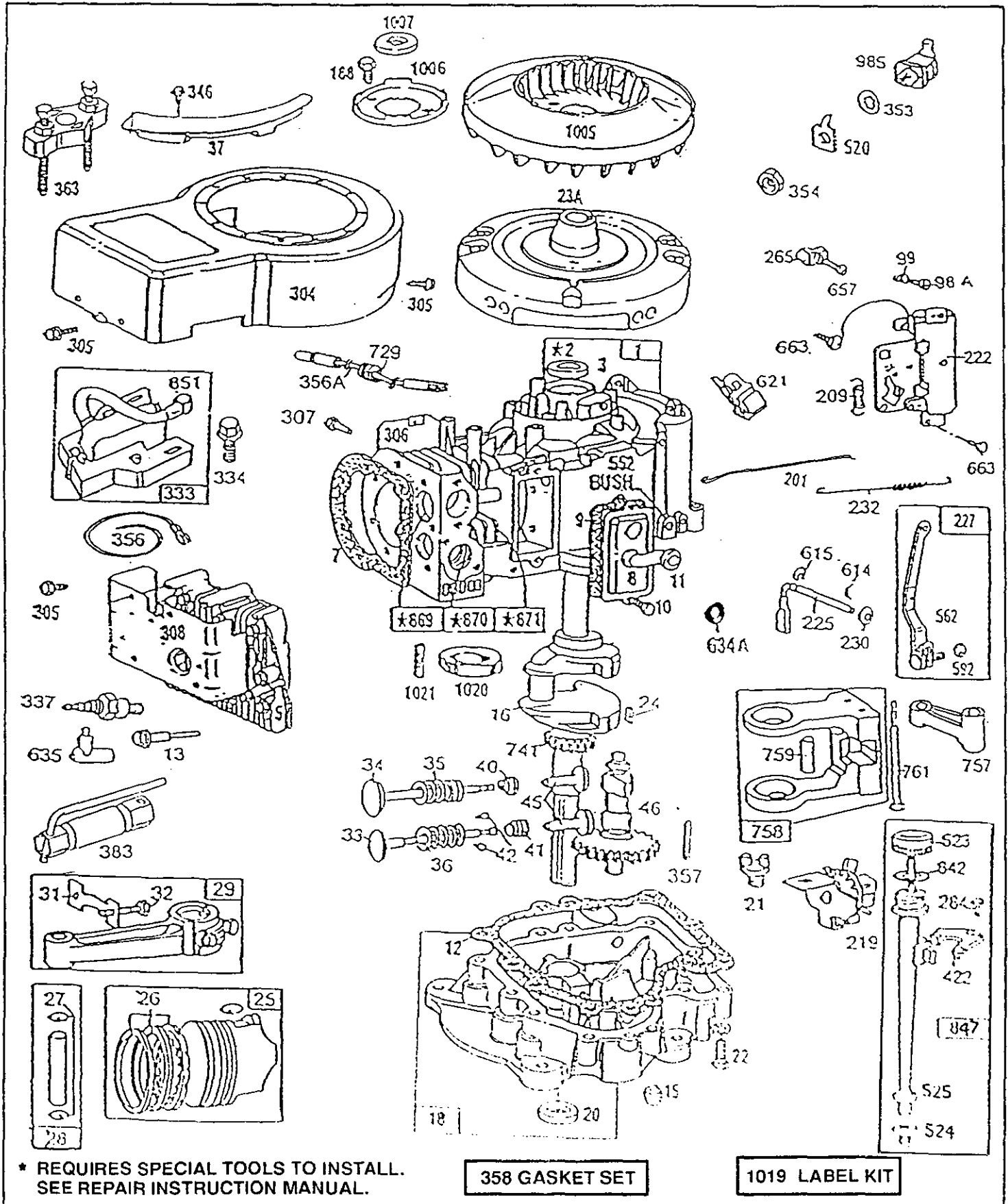
Industrial/Commercial

TYPE NUMBERS
0015 through 0030
0111, 0112, 0118, 0119,
0125 through 0235
0401,
0410 through 0437
4001, 4003, 4004,
4015, 4016, 4020,
4029, 4030.

**TO FIND
THE CORRECT NUMBER OF THE PART YOU NEED:
FOLLOW THE INSTRUCTIONS BELOW**

- A. Refer to Engine Model, Type and Code Number that is stamped on the blower housing of engine. Engine type numbers such as 0123 01 are listed only as 0123 in most instances. The two digits (01 or 02, etc.) to the right of the space may be required for more accurate parts identification in some instances. Select the Illustrated Parts List covering the correct Model Series and Type Number.
- B. Refer to the Illustrations and compare the original part with Illustration. The number next to the illustration is the Reference Number. Assemblies include all parts shown in frames. All parts shown in assembly frames having individual reference numbers can be purchased separately.
- C. After the Reference Number has been identified, refer to the Numerical text, where Reference and Primary Part Number are listed. **THE PRIMARY PART IS USED ON ALL TYPE NUMBERS EXCEPT THOSE TYPE NUMBERS UNDER "NOTE."**
- D. If a "Note" appears below the Primary Part Number, it means that this part differs from the Primary Part for certain types. If your Type number is listed under "Note," order the part referred to at the "Note."
- E. If your Engine Type Number does not appear after any part number listed under "Note," use the Primary Part Number.
- F. For Engine Type Numbers not covered by this book, check other Parts Lists having the same engine model or contact your source of supply.

280700 to 280799
281700 to 281799

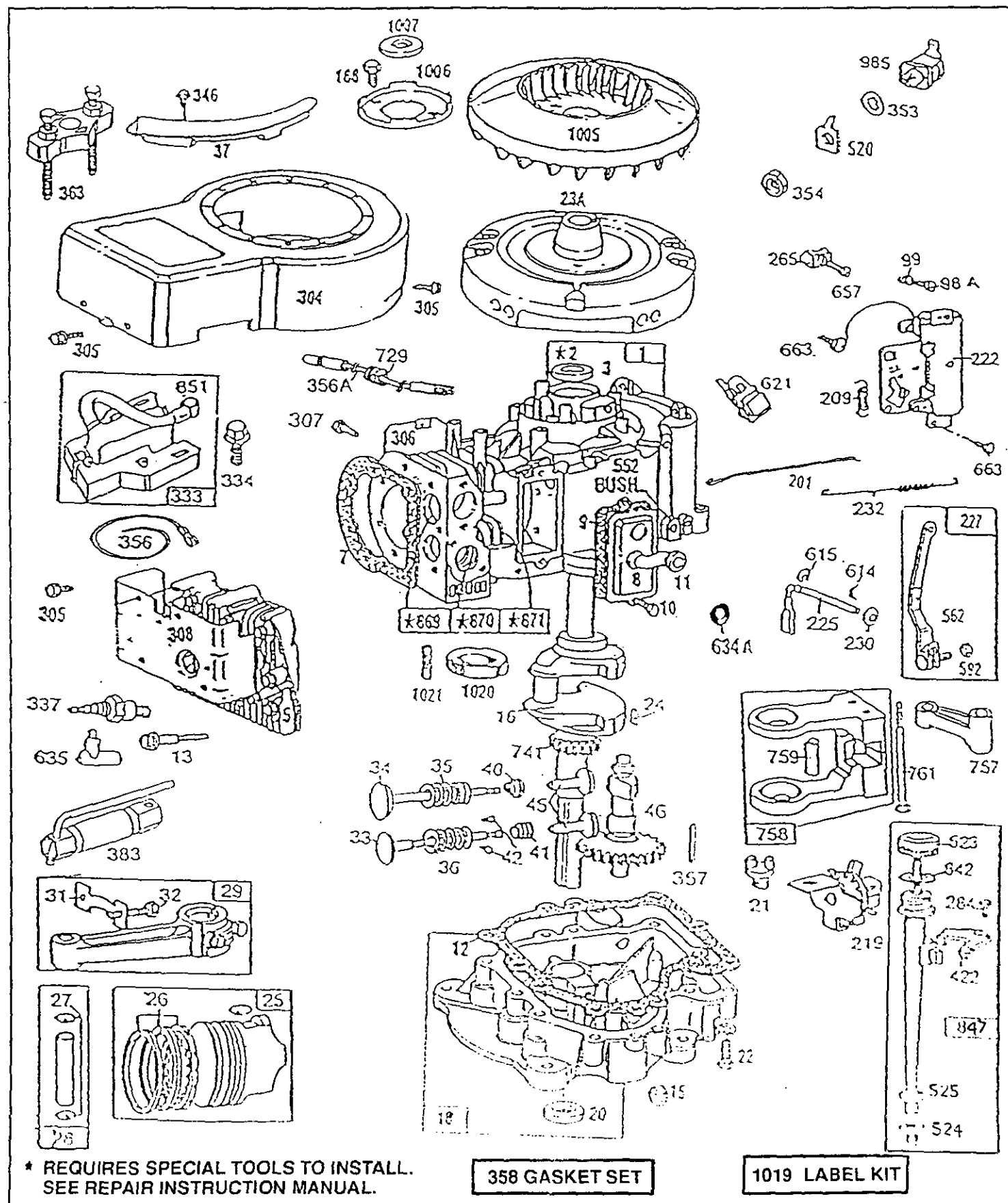


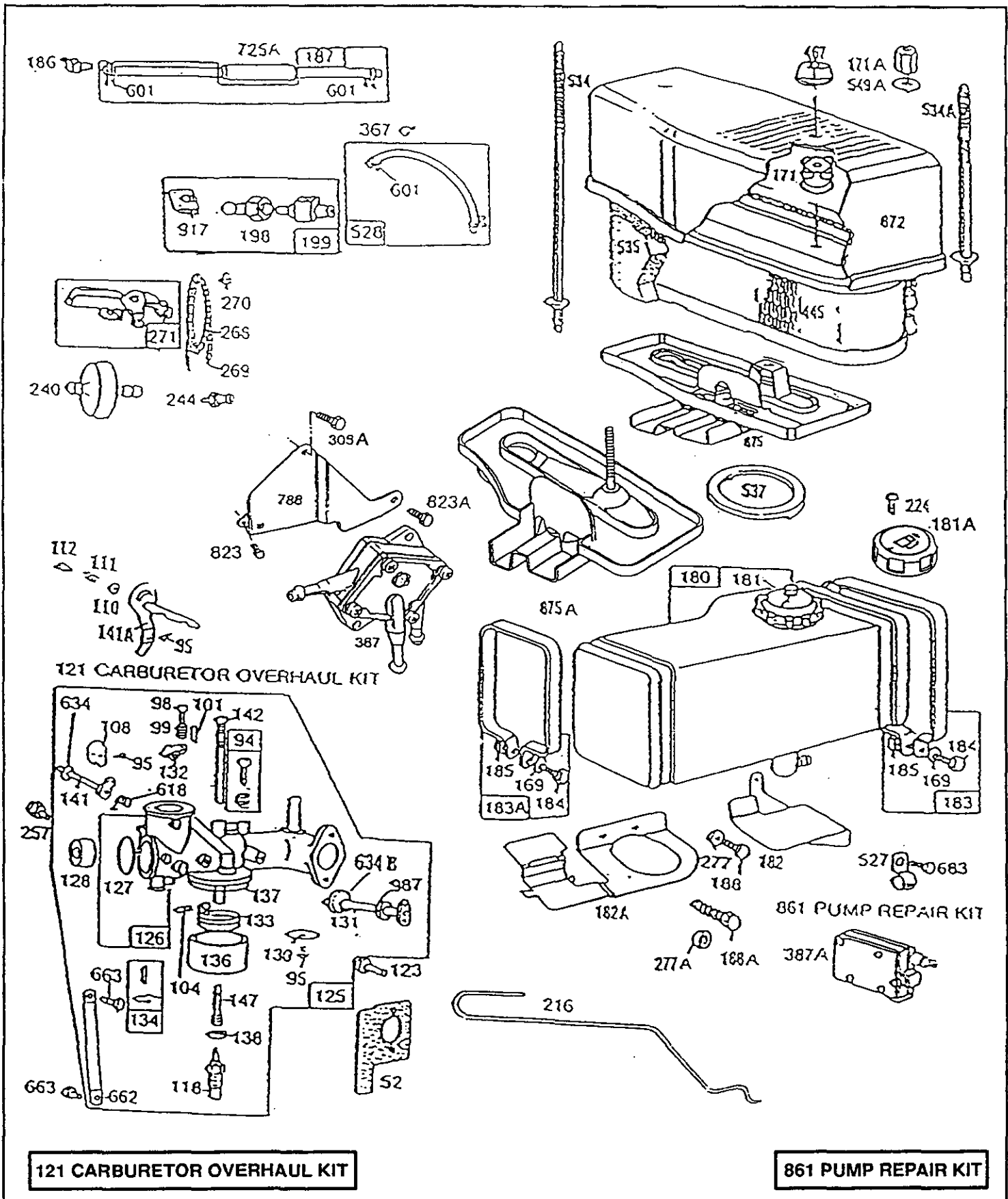
* REQUIRES SPECIAL TOOLS TO INSTALL.
SEE REPAIR INSTRUCTION MANUAL.

358 GASKET SET

1019 LABEL KIT

280700 to 280799
281700 to 281799

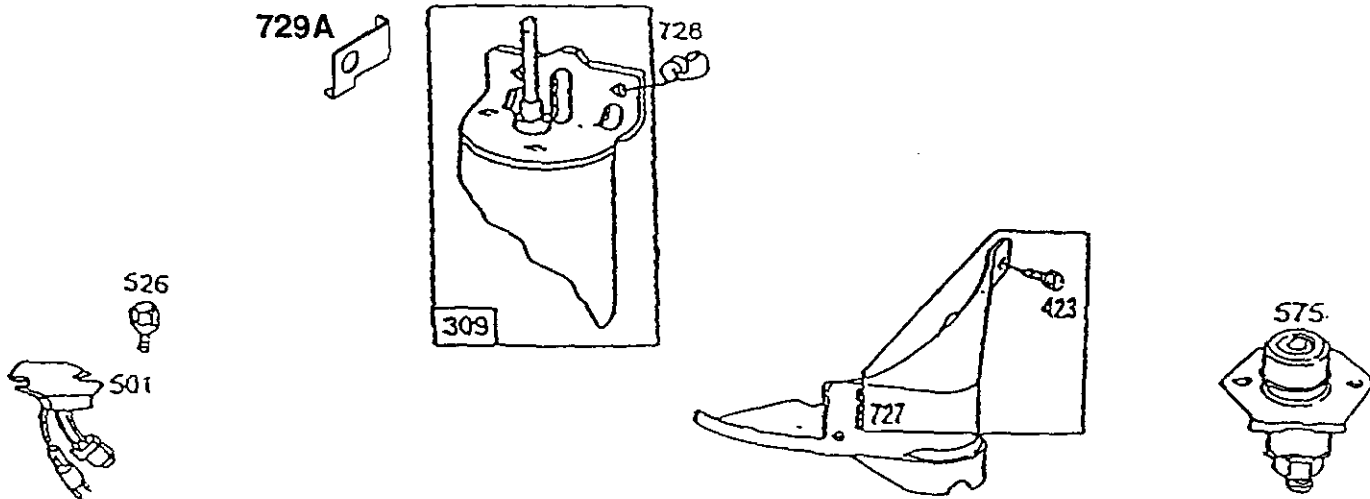


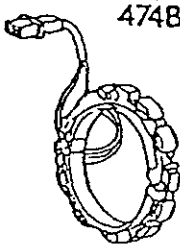
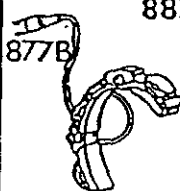
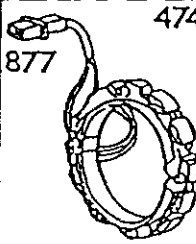
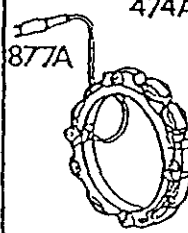
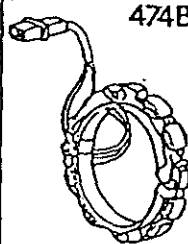
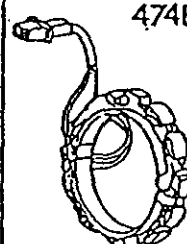
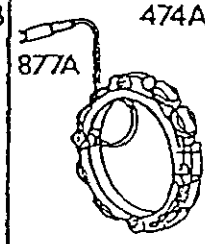
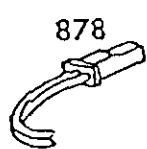
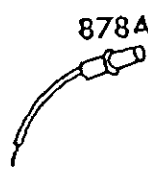
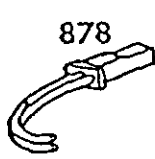
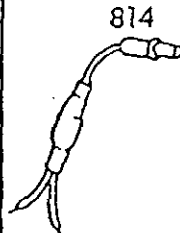
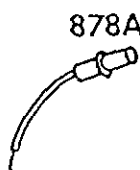
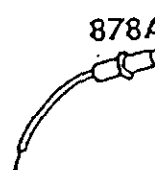
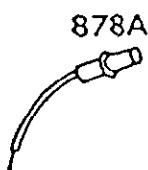
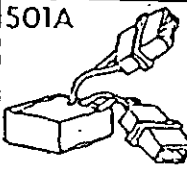
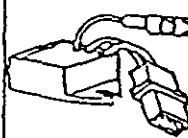
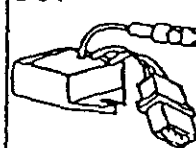
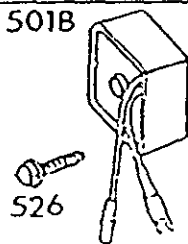


121 CARBURETOR OVERHAUL KIT

861 PUMP REPAIR KIT

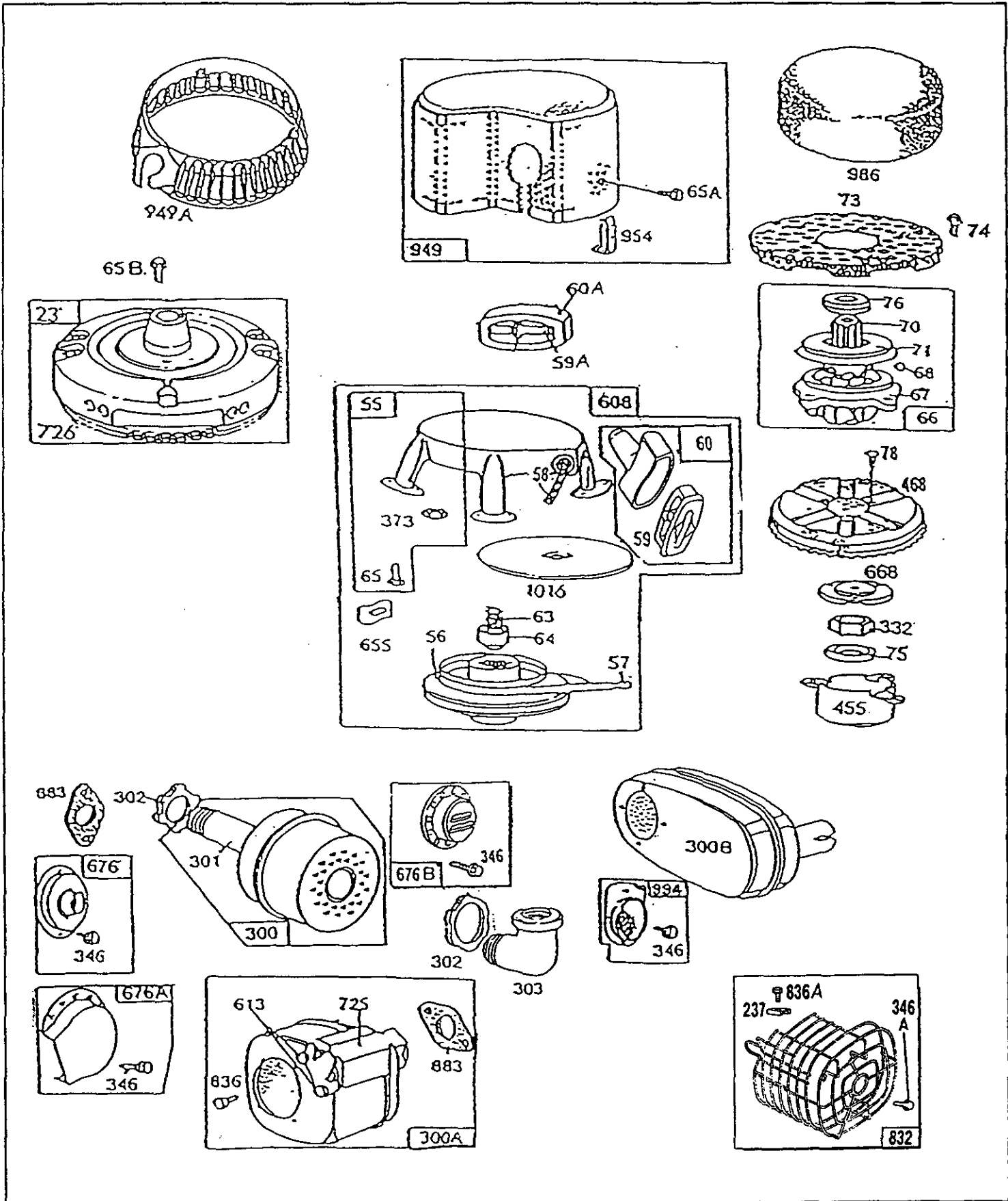
280700 to 280799
281700 to 281799



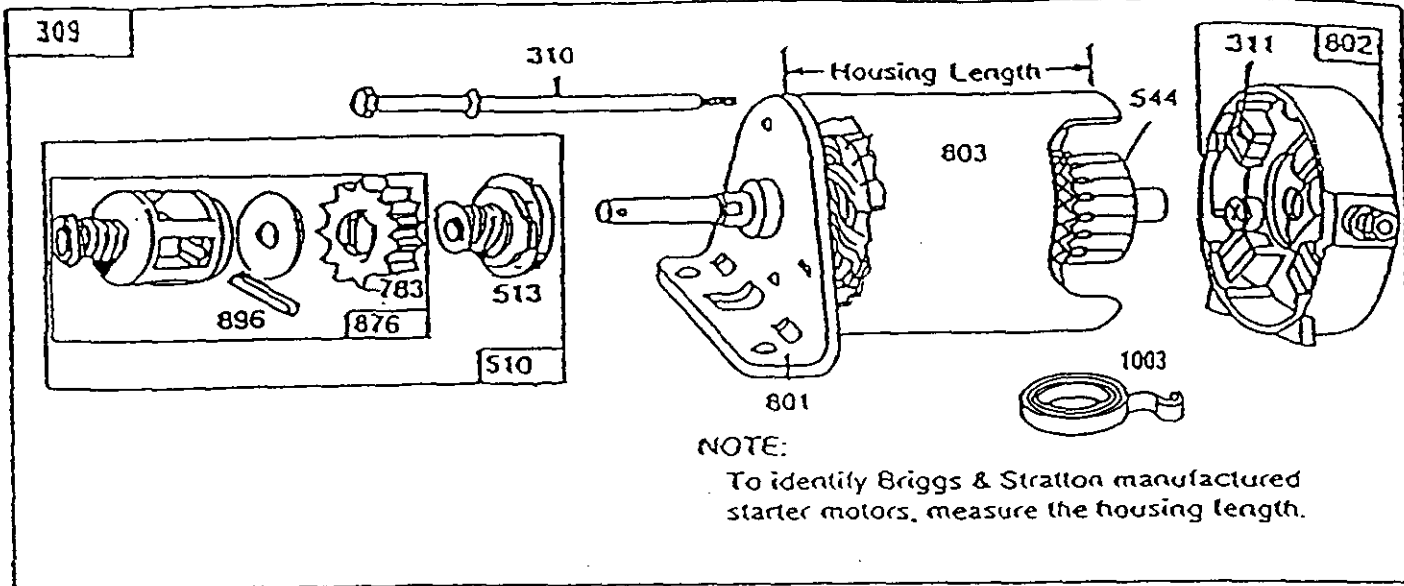
QUAD CIRCUIT	DC ONLY	DUAL CIRCUIT	TRI-CIRCUIT	10 AMP	16 AMP	9 AMP
23	23	23	23	23	Note Under Ref. 23 and 726.	Note Under Ref. 23 and 726.
 474B	 877B	 474	 474A	 474B	 474B	 474A
 878	 878A	 878	 814	 878A	 878A	 878A
 501A				 501	 501	 501B

Note: All stators use No. 482 Mtg. Screw.





280700 to 280799
281700 to 281799



Reference Number	309	310	311	510	544	801	802	803	1003	
Manufacturer	Motor and Drive Ass'y.	Thru Bolt Assembly	Brush Assembly	Drive Assembly	Armature Assembly	Drive End Cap Assembly	End Cap Ass'y. Commutator	Housing Assembly	Brush Spring	
Briggs & Stratton										
12V	4-3/8"	490420	94004	395538	490421**	391160	394856	395537*	394544	-
12V	4-9/16"	399169	94169	490311	490421**	490309	394856	490310*	399172	490316
12V	3-21/32"	394805	94003	395538	490421**	390837	394856	395537*	398159	-

*Includes Brush Set

**Includes #398003 Clutch Assembly
#280104 Gear
#490467 Retainer and Pin
94288 Roll Pin

(Ref. No. 513)
(Ref. No. 783)
(Ref. No. 876)
(Ref. No. 896)

280700 to 280799 281700 to 281799

REF. NO.	PART NO.	DESCRIPTION	REF. NO.	PART NO.	DESCRIPTION	REF. NO.	PART NO.	DESCRIPTION
1	490449	Cylinder Assembly Used on Model 280700 Series Engines. Note: 490450 Cylinder Assy. Used on Model 281700 Series Engines.		93781	Stud-Cyl. Head		490604	Flywheel and Ring Gear Assy.- Magneto (Used Before Code Date 88090600). Used on Model 280700 Series Type No. 0136, and Model 281700 Series Type Nos. 0128, 0134, 0140, 0188, 0200, 0201, 0204, 0211, 0214, 0216, 0217, 0223, 0413, 0417, 0422, 0429, 4001, 4003, 4004.
2	399265	Bearing-Cylinder		231109	Spacer Used on Model 281700 Series Type Nos. 0129, 0136, 0166, 0180, 0186, 0191, 0196, 0213, 0216, 0217, 0226, 0419, 0423, 4015.		23A	492135 Flywheel-Magneto (For Rewind Starter Engines) Note: 490428 Flywheel- Magneto (Used Before Code Date 88090600).
3	391086	Seal-Oil		93781	Stud-Cyl. Head		24	222698 Key-Flywheel
5	494240	Head-Cylinder (Used After Code Date 87090800). Note: 213181 Head-Cylinder (Used Before Code Date 87090900).		231109	Spacer		25	391285 Piston Assy. (Standard) Note: 394661 Piston Assy. (Standard) Used on Model 281700 Series Engines.
7	*271866	Gasket-Cylinder Head		94315	Lockwasher			391287 Piston Assy. (.010" O.S.) Note: 394662 Piston Assy. (.010" O.S.) Used on Model 281700 Series Engines.
8	391406	Breather Assembly Note: 394217 Breather Assy. Used on Model 281700 Series Type Nos. 0127, 0132, 0134, 0140, 0147, 0153, 0169, 0182, 0185, 0187, 0188, 0201, 0204, 0207, 0208, 0211, 0429.		94314	Nut Used on Model 280700 Series Type Nos. 0119, 0131, 0132, 0136, 0137, and Model 281700 Series Type Nos. 0016, 0026, 0028, 0119, 0131, 0149, 0150, 0156, 0171, 0174, 0175, 0176, 0177, 0184, 0196, 0210, 0233, 0410, 0412, 0419, 0420, 0421, 0423, 0431, 0432, 4003, 4016.			391288 Piston Assy. (.020" O.S.) Note: 394663 Piston Assy. (.020" O.S.) Used on Model 281700 Series Engines.
9	*27803	Gasket-Valve Cover	15	91084	Plug-Oil Drain			391289 Piston Assy. (.030" O.S.) Note: 394664 Piston Assy. (.030" O.S.) Used on Model 281700 Series Engines.
10	94621	Screw-Sem	16	490466	Crankshaft Note: Order Part No. 94196 For Timing Gear Key.			
11	280100	Tube-Breather	18	490452	Base-Engine			
12	*271916	Gasket-Crankcase Cover (1/64" Thick)	20	291675	Seal-Oil			
	*271997	Gasket-Crankcase Cover (.005" Thick)	21	66768	Plug-Oil Filler			
	*271996	Gasket-Crankcase Cover (.009" Thick)	22	94305	Screw-Base Mtg. Sem			
13	93723	Screw-Cylinder Head Note: 93781 Stud-Cyl. Head 22963 Washer Used on Model 281700 Series Type Nos. 0125, 0132, 0169, 0211, 0219. 93781 Stud-Cyl. Head 22963 Washer 231109 Spacer Used on Model 281700 Series Type No. 0165.	23	492326	Flywheel and Ring Gear Assy.-Magneto Note: 490604 Flywheel and Ring Gear Assy.-Mag. Used on Model 281700 Series Type Nos. 0181, 0185. 492325 Flywheel and Ring Gear Assy.- Magneto (Used After Code Date 88090500).			

* Included in Gasket Set-
Part No. 490525.

• Included in Carburetor Overhaul Kit-
Part No. 394698.

280700 to 280799

281700 to 281799

REF. NO.	PART NO.	DESCRIPTION	REF. NO.	PART NO.	DESCRIPTION	REF. NO.	PART NO.	DESCRIPTION
PISTON RING SETS:			59A	230228	Pin-Starter Grip	125	491031	Carburetor Assembly (Choke-A-Matic®)
		Note: For Chrome Ring Set (Standard Size) Order Part No. 392331.	60	490652	Handle-Rewind Starter			Note: 490472 Carb. Assy. (Remote & Manual Choke)
26	391780	Ring Set-Piston (Std.)	60A	66728	Grip-Starter Rope			Used on Model 280700
		Note: 394665 Ring Set-Piston (Standard) Used on Model 281700 Series Engines.	63	260414	Spring-Ratchet			Series Type Nos. 0111, 0118, 0119, 0128, 0410,
	391781	Ring Set-Piston (.010" O.S.)	64	230543	Adapter-Ratchet Spring			and Model 281700 Series Type Nos. 0025, 0030, 0111, 0118, 0119, 0136, 0137, 0138, 0139, 0141, 0146, 0159, 0167, 0171, 0205, 0223, 0410, 0411, 0425, 0427, 0430, 4030.
	391782	Ring Set-Piston (.020" O.S.)	65	94128	Screw-Hex. Head Sem			490518 Carb. Assy. (Remote Choke)
	391783	Ring Set-Piston (.030" O.S.)			Note: 93420 Screw-Rewind Starter Housing Mtg. (3/4" Long) Used on Model 281700 Series Type No. 0136.			Used on Model 281700 Series Type Nos. 0127, 0134, 0140, 0147, 0188, 0435.
27	260924	Lock-Piston Pin	65A	94018	Screw-Hex. Washer Head			491673 Carb. Assy. (Choke-A-Matic®)
28	299691	Pin Assy.-Piston (Std.)	65B	93067	Screw-Hex. Hd. Sem			Used on Model 281700 Series Type Nos. 0132, 0153, 0169, 0182, 0185, 0187, 0201, 0204, 0207, 0208, 0211, 0228, 0429.
	391286	Pin Assy.-Piston (.005" O.S.)	66	399671	Clutch Assy.-Rewind Starter	126	490473	Body Assy.-Carburetor
29	490348	Rod Assy.-Connecting	67	394897	Housing-Starter Clutch			Note: 490515 Body Assy.-Carburetor
		Note: For Connecting Rod With .020" Undersize Crankpin Bore-Order Part No. 490469.	68	63770	Ball-Clutch			Used on Model 281700 Series Type Nos. 0127, 0132, 0134, 0140, 0147, 0153, 0169, 0182, 0185, 0201, 0204, 0207, 0208, 0211, 0228, 0429, 0435.
31	222299	Lock-Conn. Rod Screw	70	298799	Ratchet-Rewind Starter Clutch			490515 Body Assy.-Carburetor
32	92909	Screw-Connecting Rod	71	394506	Washer-Retainer			Used on Model 281700 Series Type Nos. 0127, 0132, 0134, 0140, 0147, 0153, 0169, 0182, 0185, 0201, 0204, 0207, 0208, 0211, 0228, 0429, 0435.
33	262246	Valve-Exhaust	73	223859	Screen-Rotating			490515 Body Assy.-Carburetor
34	262247	Valve-Intake	74	93758	Screw-Hex. Washer Head Tapping			Used on Model 281700 Series Type Nos. 0127, 0132, 0134, 0140, 0147, 0153, 0169, 0182, 0185, 0201, 0204, 0207, 0208, 0211, 0228, 0429, 0435.
35	65906	Spring-Intake Valve	75	224061	Washer-Spring			490515 Body Assy.-Carburetor
36	26828	Spring-Exhaust Valve	76	68238	Washer-Ratchet Sealing			Used on Model 281700 Series Type Nos. 0127, 0132, 0134, 0140, 0147, 0153, 0169, 0182, 0185, 0201, 0204, 0207, 0208, 0211, 0228, 0429, 0435.
37	223752	Guard-Flywheel	78	93805	Screw-Sem			490515 Body Assy.-Carburetor
40	221596	Retainer-Intake Valve	94	•292681	Valve Assy.-Carb. Idle			Used on Model 281700 Series Type Nos. 0127, 0132, 0134, 0140, 0147, 0153, 0169, 0182, 0185, 0201, 0204, 0207, 0208, 0211, 0228, 0429, 0435.
41	292260	Rotocoil-Exhaust Valve	95	93499	Screw-Throttle and Choke Valve Mtg. Sem			490515 Body Assy.-Carburetor
		Note: 68293 Retainer-Valve Spring Used on Model 281700 Series Type Nos. 0030, 4030.	98	91920	Screw-Machine, Fillister Hd. (5/8" Long)			Used on Model 281700 Series Type Nos. 0127, 0132, 0134, 0140, 0147, 0153, 0169, 0182, 0185, 0201, 0204, 0207, 0208, 0211, 0228, 0429, 0435.
42	93630	Retainer-Exhaust Valve Rotocoil	98A	90200	Screw-Machine, Fillister Hd. (1/2" Long)			490515 Body Assy.-Carburetor
45	262248	Tappet-Valve	99	26157	Spring-Throttle Adj.			Used on Model 281700 Series Type Nos. 0127, 0132, 0134, 0140, 0147, 0153, 0169, 0182, 0185, 0201, 0204, 0207, 0208, 0211, 0228, 0429, 0435.
46	212897	Gear-Cam	101	93043	Pin-Throttle Stop			490515 Body Assy.-Carburetor
52	★272554	Gasket-Carb. Mtg.	104	•230896	Pin-Float Hinge			Used on Model 281700 Series Type Nos. 0127, 0132, 0134, 0140, 0147, 0153, 0169, 0182, 0185, 0201, 0204, 0207, 0208, 0211, 0228, 0429, 0435.
55	393576	Housing-Rewind Starter (Includes 63" Long Rope)	108	222010	Valve Choke			490515 Body Assy.-Carburetor
56	295871	Pulley-Rewind Starter	110	220899	Washer-Choke Lever			Used on Model 281700 Series Type Nos. 0127, 0132, 0134, 0140, 0147, 0153, 0169, 0182, 0185, 0201, 0204, 0207, 0208, 0211, 0228, 0429, 0435.
57	490179	Spring-Rewind Starter	111	26229	Spring-Choke Lever			490515 Body Assy.-Carburetor
58	66884	Rope-Rewind Starter (63" Long)	112	23270	Screw-Choke Lever			Used on Model 281700 Series Type Nos. 0127, 0132, 0134, 0140, 0147, 0153, 0169, 0182, 0185, 0201, 0204, 0207, 0208, 0211, 0228, 0429, 0435.
59	490653	Insert-Starter Handle	118	396568	Valve-Needle			490515 Body Assy.-Carburetor
					Includes:			Used on Model 281700 Series Type Nos. 0127, 0132, 0134, 0140, 0147, 0153, 0169, 0182, 0185, 0201, 0204, 0207, 0208, 0211, 0228, 0429, 0435.
					22235 Washer-Brass			490515 Body Assy.-Carburetor
					26336 Spring			Used on Model 281700 Series Type Nos. 0127, 0132, 0134, 0140, 0147, 0153, 0169, 0182, 0185, 0201, 0204, 0207, 0208, 0211, 0228, 0429, 0435.
					65978 O-Ring			490515 Body Assy.-Carburetor
					230590 Nut-Hex.			Used on Model 281700 Series Type Nos. 0127, 0132, 0134, 0140, 0147, 0153, 0169, 0182, 0185, 0201, 0204, 0207, 0208, 0211, 0228, 0429, 0435.
			121	394698	Carburetor Overhaul Kit	127	•221997	Plug-Welch
			123	93357	Screw-Carburetor Mtg.	128	211960	Venturi-Carburetor
						130	222433	Valve-Throttle
						131	491006	Shaft and Lever-Throttle

★ Included in Gasket Set-Part No. 490525.

• Included in Carburetor Overhaul Kit-Part No. 394698.

280700 to 280799
281700 to 281799

REF. NO.	PART NO.	DESCRIPTION	REF. NO.	PART NO.	DESCRIPTION	REF. NO.	PART NO.	DESCRIPTION
132	211712	Stop-Throttle			Note: 260695 Spring-Gov. (Used After Code Date 87010600).			260902 Spring-Gov. (Used After Code Date 87010600).
133	299707	Float-Carburetor						(Used After Code Date 87010600).
134	•394681	Valve-Fuel Inlet			261306 Spring-Gov. (Used Before Code Date 87010700).			260871 Spring-Gov. (Used Before Code Date 87010700).
		Note: 394683 Valve-Fuel Inlet Used on Fuel Pump Applications			Used on Model 280700			Used on Model 280700
136	221995	Bowl-Float			Series Type Nos. 0125, 0127, 0128,			Series Type Nos. 0129, 0130,
137	•270511	Gasket-Float Bowl			0133, 0135, 0137,			and Model 281700
138	•222014	Washer-Float Bowl			0410, 0411,			Series Type Nos. 0160, 0209, 0210,
141	390684	Shaft and Lever-Choke			and Model 281700			0212, 0216, 0217,
141A	299647	Shaft and Lever- Manual Choke			Series Type Nos. 0025, 0026, 0125,			0219, 0419, 0420.
142	•299740	Nozzle-Carburetor			0126, 0128, 0129,	216	261610	Link-Choke
147	•231323	Screw-Nozzle			0131, 0133, 0134,	219	490815	Oil Slinger, Gov. Gear Assy.
169	90832	Washer-Lock			0137, 0143, 0144,			(Used After Code Date 87010600).
171	281051	Nut-Air Cleaner Mtg.			0150, 0154, 0157,			Note: 391764 Oil Slinger, Gov. Gear Assy. (Used Before Code Date 87010700).
171A	231532	Nut-Air Cleaner Mtg.			0158, 0162, 0165,			
180	390225	Tank Assembly-Fuel (3 Quart)			0166, 0168, 0175,			
181	397975	Cap-Fuel Tank			0177, 0181, 0183,			
182	223925	Bracket-Fuel Tank (R.H.)			0191, 0193, 0194,			
182A	223866	Bracket-Fuel Tank (L.H.)			0195, 0196, 0198,			
183	390406	Strap Assy.-Fuel Tank (R.H.)			0199, 0200, 0202,	222	491594	Plate-Governor Control (Choke-A-Matic®)
183A	390405	Strap Assy.-Fuel Tank (L.H.)			0213, 0214, 0215,			Note: 491593 Plate-Gov. Control (Remote & Manual Choke) Used on Model 280700
184	93803	Screw-Hex. Hd.			0222, 0226, 0231,			Series Type Nos. 0111, 0118, 0119,
185	90970	Nut-Square			0232, 0411, 0412,			0128, 0410, and Model 281700
186	67218	Connector-Fuel Pipe			0414, 0415, 0417,			Series Type Nos. 0025, 0030, 0111,
187	299146	Line-Fuel (28" Long, Cut to Suit)			0418, 0422, 0423,			0118, 0119, 0127,
		Note: 393815 Line-Fuel (11" Long, Cut to Suit)			0424, 0425, 0427,			0134, 0136, 0137,
188	93535	Screw-Sem (3/4" Long)			0428, 0430, 4020.			0138, 0139, 0140,
188A	93634	Screw-Sem (7/8" Long)			261126 Spring-Gov. (Used After Code Date 87010600).			0141, 0146, 0147,
198	293934	Valve-Fuel Shut-Off			261306 Spring-Gov. (Used Before Code Date 87010700).			0159, 0167, 0171,
199	399949	Connector-Fuel Pipe			Used on Model 280700			0188, 0205, 0223,
201	262348	Link-Governor (Used After Code Date 87010600).			Series Type Nos. 0126, 0132, 0136, and Model 281700			0410, 0411, 0425, 0427, 0430, 0435.
		Note: 261609 Link-Governor (Used Before Code Date 87010700).			Series Type Nos. 0030, 0155, 0164,	224	94018	Screw-Air Cleaner Sem
209	260871	Spring-Governor (Used After Code Date 87010600).			0173, 0174, 0179,	225	231058	Crank-Governor
		261129 Spring-Gov. (Used Before Code Date 87010700).			0180, 0182, 0186,	227	490927	Lever Assy.-Governor (Used After Code Date 87010600).
					0190, 0192, 0204,			
					0205, 0206, 0207,			
					0208, 0223, 0416,			
					4015, 4030.			

* Included in Gasket Set-
Part No. 490525.

• Included in Carburetor Overhaul Kit-
Part No. 394698.

280700 to 280799

281700 to 281799

REF. NO.	PART NO.	DESCRIPTION	REF. NO.	PART NO.	DESCRIPTION	REF. NO.	PART NO.	DESCRIPTION
		Note: 391733 Lever Assy.-Governor (Used Before Code Date 87010700).	300A	491413	Muffler-Exhaust (Used After Code Date 87090800).			Note: 223900 Cover-Cyl. Hd. (Used Before Code Date 87090900). Used on Model 280700 Series Type Nos. 0119, 0132, and Model 281700 Series Type Nos. 0016, 0026, 0028, 0119, 0131, 0136, 0149, 0150, 0156.
230	94742	Washer-Gov. Crank			Note: 490600 Muffler-Exhaust (Used Before Code Date 87090900).			Motor-Starting (12 Volt) See Chart on Illustrated Pages for Replacement Parts for Starting Motors.
232	260584	Spring-Governor Link (Used After Code Date 87010600).	300B	493963	Muffler-Exhaust	309		
		Note: 261911 Spring-Governor Link (Used Before Code Date 87010700).	301	93768	Pipe-Muffler			
237	222379	Retainer-Guard	302	261564	Locknut-Muffler			
240	298090	Filter-Fuel (In Fuel Line)	303	91308	Elbow-Muffler			
		Note: 394358 Filter-Fuel Used on Engines With Fuel Pumps.	304	490689	Housing-Blower Note: 490854 Housing-Blower Used on Model 280700 Series Type Nos. 0132, 0136, and Model 281700 Series Type Nos. 0030, 0128, 0134, 0140, 0181, 0185, 0188, 0200, 0201, 0204, 0211, 0214, 0216, 0217, 0223, 0226, 0228, 0229, 0413, 0417, 0422, 0429, 4001, 4003, 4004, 4029, 4030.	332	92284	Nut-Hex.
244	230318	Connector-Fuel	305	93158	Screw-Blower Housing Mounting Sem	333	492341	Armature-Magneto (Used After Code Date 88090500). 398811 Armature-Magneto (Used Before Code Date 88090600). Note: 398811 Armature-Magneto Used on Model 280700 Series Type No. 0125, and Model 281700 Series Type Nos. 0133, 0181, 0185.
257	93543	Screw-Control Casing	305A	94513	Screw-Hex. Washer Head			
265	221535	Clamp-Casing	306	224545	Shield-Cylinder	334	93381	Screw-Armature Mounting Sem
268	65616	Casing-Control Wire (72" Long)	307	93163	Screw-Cylinder Shield Mtg. Sem (Used Before Code Date 90051400). Note: 93949 Screw-Cylinder Shield Mtg. Sem (Used After Code Date 90051300).	337	802592	Plug-Spark (Resistor Type) (1-7/8" High, 49 mm) Note: 293918 Plug-Spark (Resistor Type) (1-1/2" High, 39 mm) 298809 Plug-Spark (1-1/2" High, 39 mm)
		Note: If Longer Casing is Required, Specify Length in Inches; if Shorter Casing is Needed, Order Part No. 65616 and Cut to Required Length.	308	491490	Cover-Cylinder Head (Used After Code Date 87090800). 223718 Cover-Cyl. Hd. (Used Before Code Date 87090900).	346	93705	Screw-Hex. Head
269	26633	Wire-Control (78" Long)				346A	93587	Screw-Hex. Hd. (Clamp Mtg.)
		Note: If Longer Wire is Required, Specify Length in Inches; if Shorter Wire is Needed, Order Part No. 26633 and Cut to Required Length.				353	92791	Washer-Lock
270	63426	Locknut-Control Wire Casing				354	90576	Nut-Hex.
271	290568	Lever Assy.-Control				356	398808	Wire-Ground
277	22776	Washer-Flat				356A	494328	Wire-Ground
277A	22963	Washer						
284	93572	Screw-Clamp Mtg.						
300	391569	Muffler-Exhaust Note: 392989 Muffler-Exhaust Used on Model 281700 Series Type No. 0197.						

★ Included in Gasket Set-Part No. 490525.

● Included in Carburetor Overhaul Kit-Part No. 394698.

280700 to 280799
281700 to 281799

REF. NO.	PART NO.	DESCRIPTION	REF. NO.	PART NO.	DESCRIPTION	REF. NO.	PART NO.	DESCRIPTION
357	91540	Key-Pulley		94137	Screw-Regulator	725	223023	Shield-Muffler
358	490525	Gasket Set			Used on Model 280700	725A	222175	Shield-Heat
363	19203	Puller-Flywheel			Series Type Nos. 0132, 0136, and Model 281700	726	392134	Gear-Ring (Includes Mtg. Parts)
367	93380	Screw-Sem			Series Type Nos. 0211, 0223, 0228, 0229, 0413, 4001, 4003, 4004, 4029.			Note: 399676 Gear-Ring (Includes Mtg. Screws) Used on Model 280700
373	92987	Nut-Hex.						Series Type No. 0136, and Model 281700
383	89838	Wrench-Spark Plug	527	221428	Clamp			Series Type Nos. 0128, 0134, 0140, 0181, 0185, 0188, 0200, 0201, 0204, 0211, 0214, 0216, 0217, 0223, 0226, 0228, 0229, 0413, 0417, 0422, 0429, 4001, 4003, 4004, 4029.
387	491922	Pump-Impulse	528	393815	Pipe-Vent			
387A	390818	Pump-Impulse	534	94248	Stud-Air Cleaner			
422	223721	Clamp-Oil Filler Tube	534A	94246	Stud-Air Cleaner			
423	94625	Screw-Sem	535	271962	Element-Air Cleaner			
445	399806	Cartridge-Air Cleaner	537	270853	Gasket-Air Cleaner			
455	222561	Cup-Screen Mounting	549	94249	Washer-Air Cleaner			
467	212706	Knob-Air Cleaner	552	231597	Bushing-Gov. Crank (Used After Code Date 88041700).			
468	222562	Screen-Flush Rotating (Used After Code Date 88052500).			Note: 491986 Bushing-Governor Crank (Used Before Code Date 88041800).	727	490324	Cover-Starter (Includes Mtg. Screws)
		Note: 223713 Screen-Flush Rotating (Used Before Code Date 88052600).	562	92613	Bolt-Governor Lever			Note: 490429 Guard-Ring Gear Used on Model 280700
474	393474	Stator-Alternator (Dual Circuit)	575	299139	Switch-Starting			Series Type No. 0111, and Model 281700
474A	392595	Stator-Alternator (Tri-Circuit)	592	231082	Nut-Hex.			Series Type Nos. 0015, 0016, 0020, 0111, 0129, 0136, 0139, 0141, 0146, 0152, 0159, 0164, 0167, 0172, 0180, 0183, 0186, 0193, 0203, 0419, 0429, 4015, 4016, 4020.
474B	393295	Stator-Alternator (10 Amp.)	601	93053	Clamp-Fuel Pipe			
482	93621	Screw-Sem	608	390391	Starter Assy.-Rewind			
501	394890	Regulator-Alternator (10 or 16 Amp.)	613	93927	Screw-Hex. Hd.			
501A	397809	Regulator-Alternator	614	93306	Pin-Cotter			
501B	491546	Regulator-Alternator (9 Amp.)	615	93307	Retainer-E-Ring			
520	93722	Terminal-Spade	618	261116	Spring-Choke Return			
523	490327	Cap and Dipstick-Oil Filler	621	396847	Switch-Stop			
524	68838	Seal-Filler Tube	634	270382	Washer-Choke Shaft			
525	280741	Tube-Oil Filler	634A	491323	Seal-Oil			
526	93343	Screw-Regulator	634B	271853	Washer-Throttle Shaft Seal (Foam)			
		Note: 93559 Screw-Regulator Used on Model 281700	635	66538	Elbow-Spark Plug	728	93535	Screw-Sem
		Series Type Nos. 0128, 0134, 0140, 0181, 0185, 0188, 0200, 0201, 0204, 0214, 0216, 0217, 0226, 0417, 0422, 0429, 4030.	655	222598	Anchor-Spring	729	281159	Clip-Lead Wire
			657	93496	Screw-Sem	729A	224723	Retainer-Wire
			662	224440	Bracket-Carburetor	741	262135	Gear-Timing
			663	93572	Screw-Carburetor	757	212359	Link-Counterweight
			668	280848	Spacer	758	399891	Counterweight Assy.
			676	396903	Deflector-Muffler (Direct Outlet)	759	298909	Pin-Counterweight
			676A	393761	Deflector-Muffler (Side Outlet)	761	93875	Screw-Counterweight
			676B	397630	Deflector-Muffler (Louvered Outlet)	788	224431	Bracket-Fuel Pump
			683	93572	Screw-Hex. Hd.	814	392606	Diode and Connector Assembly-Alternator (Tri-Circuit)
						823	93705	Screw-Mounting
						823A	93559	Screw-Mounting

* Included in Gasket Set-Part No. 490525.

• Included in Carburetor Overhaul Kit-Part No. 394698.

280700 to 280799

281700 to 281799

REF. NO.	PART NO.	DESCRIPTION	REF. NO.	PART NO.	DESCRIPTION	REF. NO.	PART NO.	DESCRIPTION
832	398247	Guard-Intake	877B	393814	Diode and Connector Assembly (D.C.)	987	398970	Seal-Throttle Shaft
836	94513	Screw-Hex. Head	878	393362	Alternator Harness Assembly (Dual Circuit)	994	392390	Arrester-Spark
836A	94186	Screw-Hex. Hd. (Muffler Guard Mtg.)	878A	393422	Alternator Harness Assembly	1005	280687	Fan-Flywheel
842	270920	Seal-Oil Filler Cap	883	*272293	Gasket-Exhaust Pipe	1006	223726	Retainer-Fan
847	490474	Fill Group-Oil	887	391529	Stator Assembly-Alternator (D.C.)	1007	231531	Spacer-Clutch (Used Before Code Date 88090600).
851	221798	Terminal-Ignition Cable	917	223271	Valve Handle-Fuel Shut-Off			Note: 231582 Spacer-Clutch Used on Electric Start Engines. (Used Before Code Date 87052900).
861	394462	Repair Kit-Pump (For Use With Pump 390818 Only).	949	397530	Guard-Debris (For Rewind Starter)	1016	490817	Spacer
869	261463	Seat-Intake Valve			Note: 398857 Guard-Debris (For Electric Starter Only).	1019	491252	Label Kit Used on Model 280700 Series Engines.
870	210940	Seat-Exhaust Valve	949A	280685	Guard-Rewind Starter			Note: 491255 Label Kit Used on Model 281700 Series Engines.
871	261961	Guide-Exhaust Valve	954	223379	Bracket-Guard Mtg.			
		Note: 231218 Guide-Intake Valve (Brass)	985	398525	Insulator Assembly			
		See Repair Manual	986	271735	Foam Hat-Debris Guard	1020	262243	Eccentric
872	223700	Cover-Air Cleaner				1021	94160	Pin-Eccentric
875	490332	Body-Air Cleaner						
875A	491877	Body-Air Cleaner						
877	393456	Diode and Connector Assy. (Dual Circuit)						
877A	393537	Connector Assembly (Tri-Circuit)						

* Included in Gasket Set-Part No. 490525.

• Included in Carburetor Overhaul Kit-Part No. 394698.