

**280J00**

# Illustrated Parts List

## Model Series

# 280J00

TYPE NUMBERS  
0110.

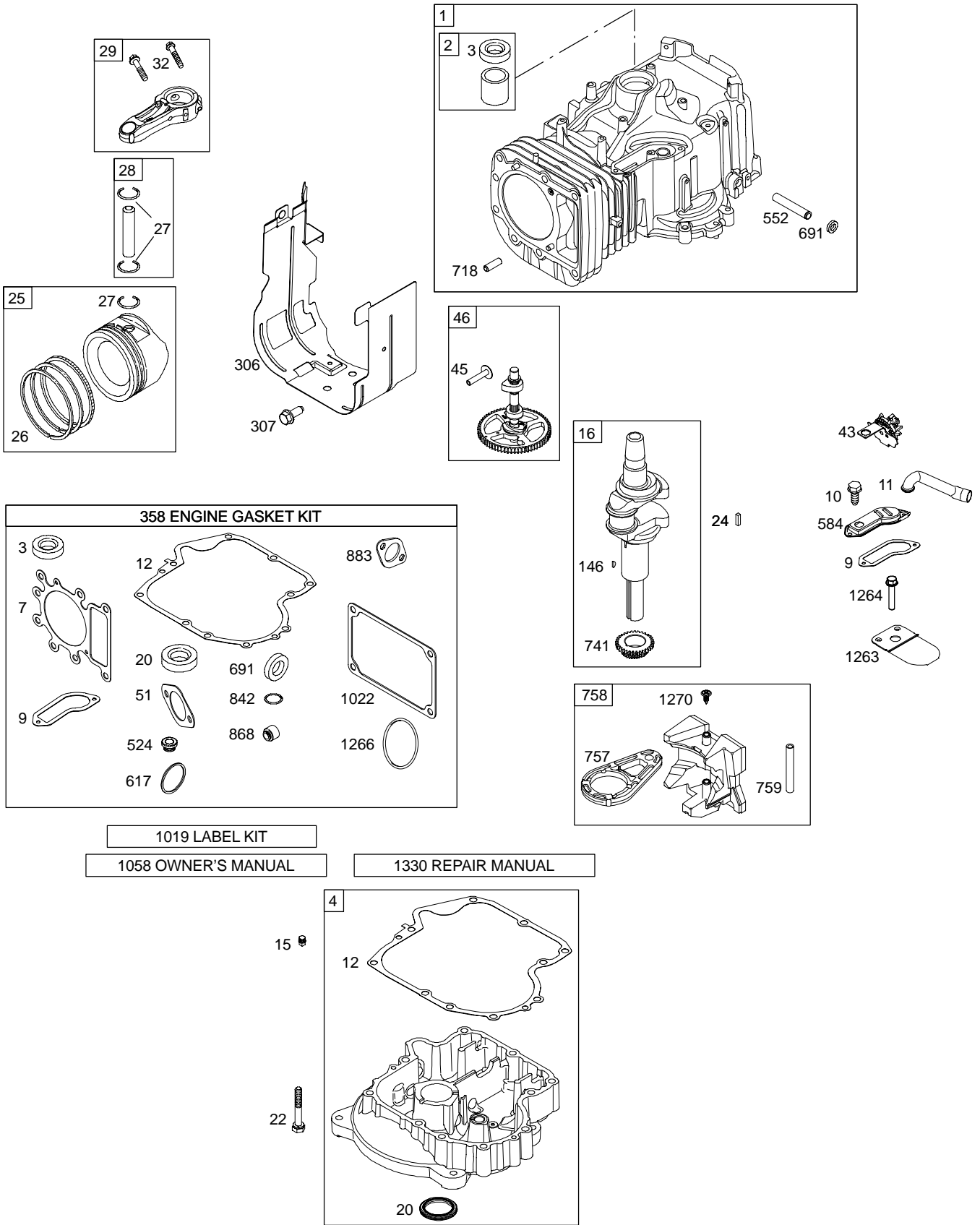
### TABLE OF CONTENTS

Air Cleaner .....	5
Alternator .....	7
Blower Housing .....	5
Camshaft .....	2
Carburetor .....	4
Controls .....	7
Crankshaft .....	2
Cylinder .....	2
Cylinder Head .....	3
Electric Starter .....	7
Engine Sump .....	2
Exhaust System .....	5
Flywheel .....	6
Fuel Supp.y .....	4
Gasket Set – Engine .....	2
Gasket Set – Valve .....	3
Governor Spring .....	7
Ignition .....	7
Intake Manifold .....	3
Kit – Carburetor Overhaul .....	4
Lubrication .....	3
Piston, Rings, Connecting Rod .....	2
Valves .....	3

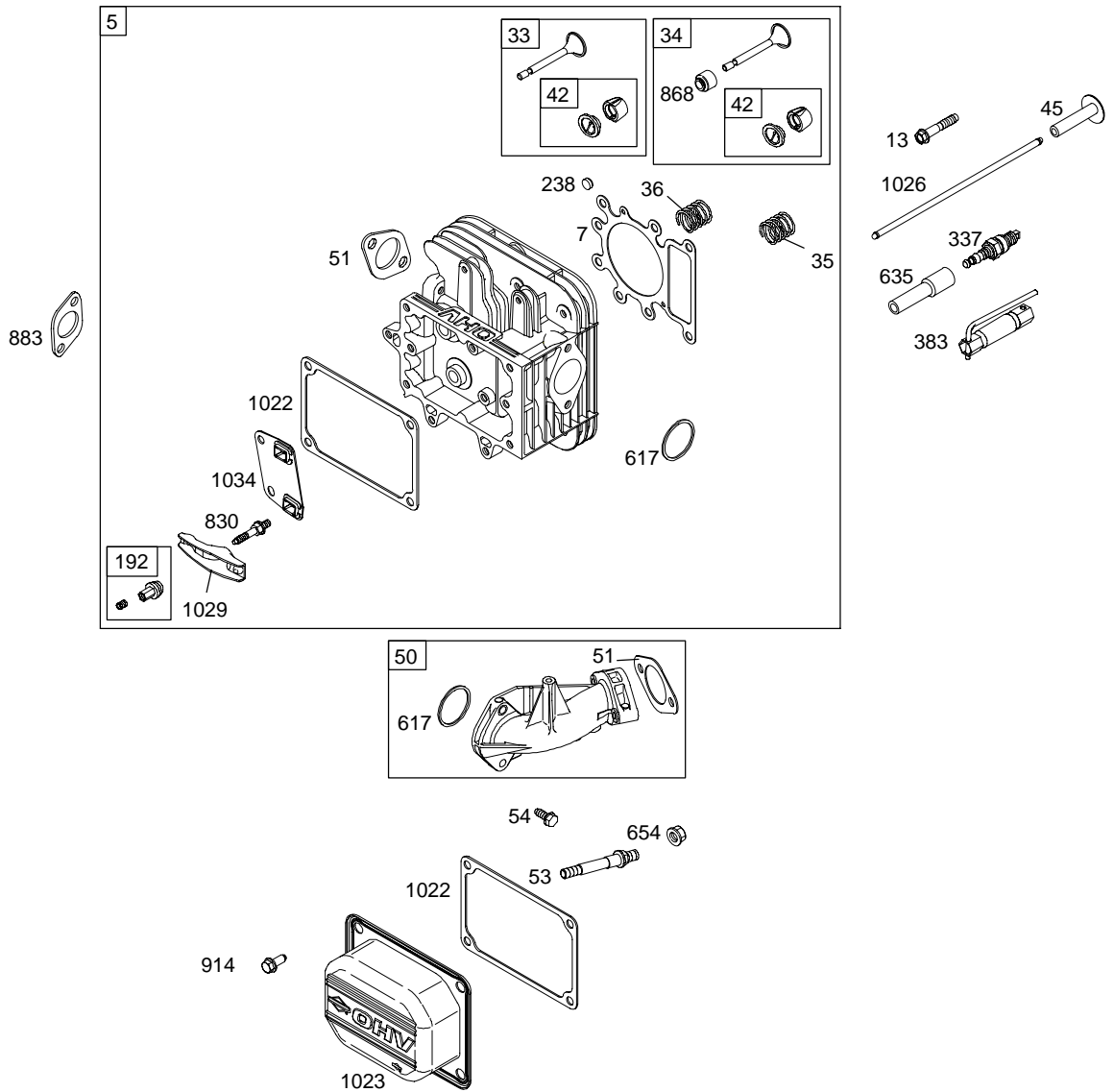
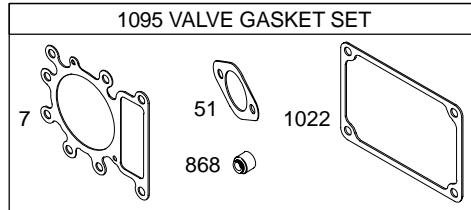
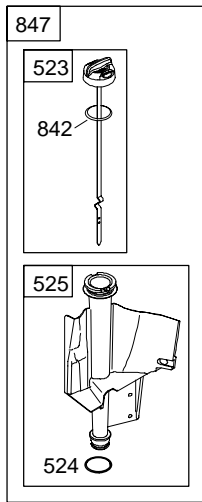
PRINTED IN U.S.A.



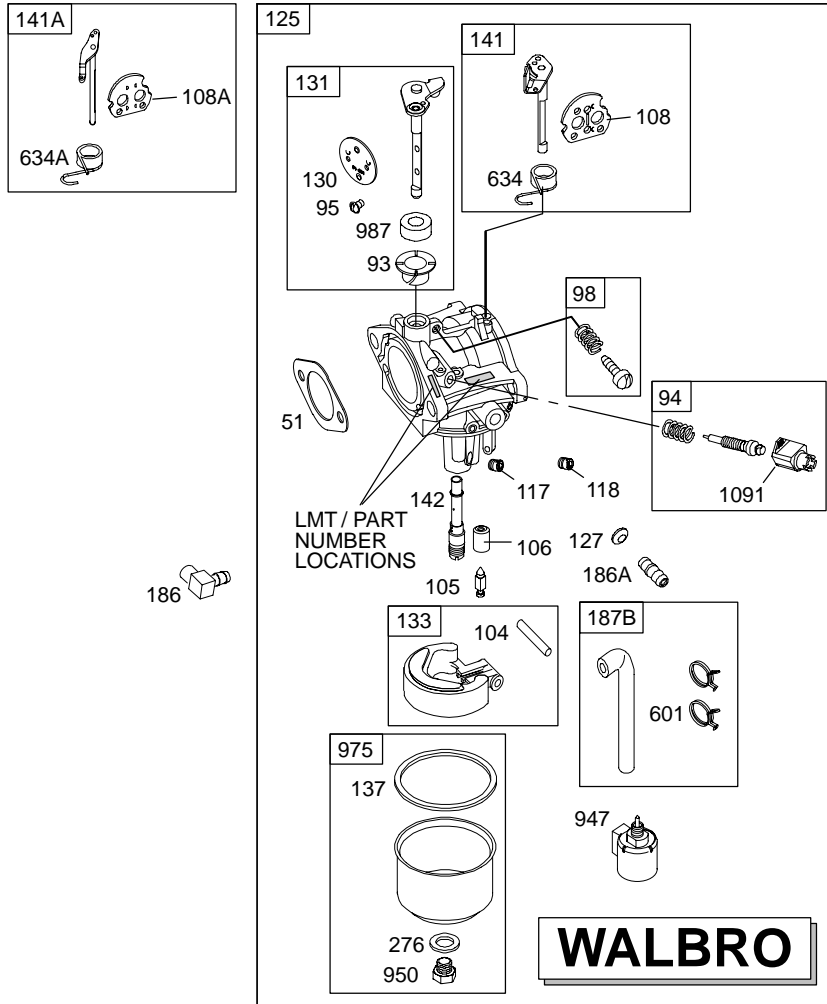
COPYRIGHT by BRIGGS & STRATTON CORPORATION  
All rights reserved. No part of this material may be reproduced or transmitted,  
in any form or by any means, electronic or mechanical, including photocopying,  
recording or by any information storage and retrieval system, without permission  
in writing from Briggs & Stratton Corporation.



Illustrations cover a range of engines. Parts shown without corresponding text may not be used on your specific engine.

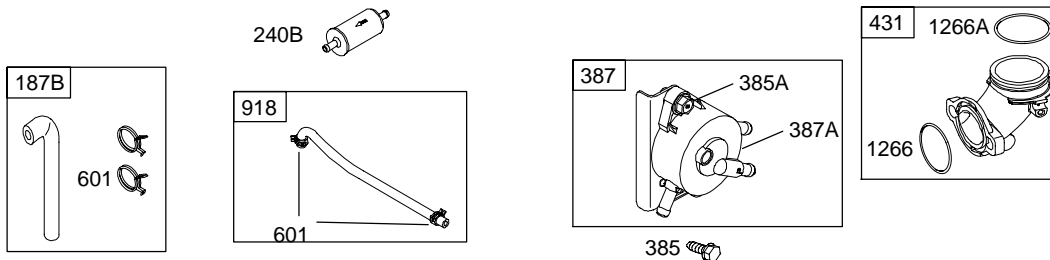


Illustrations cover a range of engines. Parts shown without corresponding text may not be used on your specific engine.  
 6175-3 Assemblies include all parts shown in frames. 08/05/2004

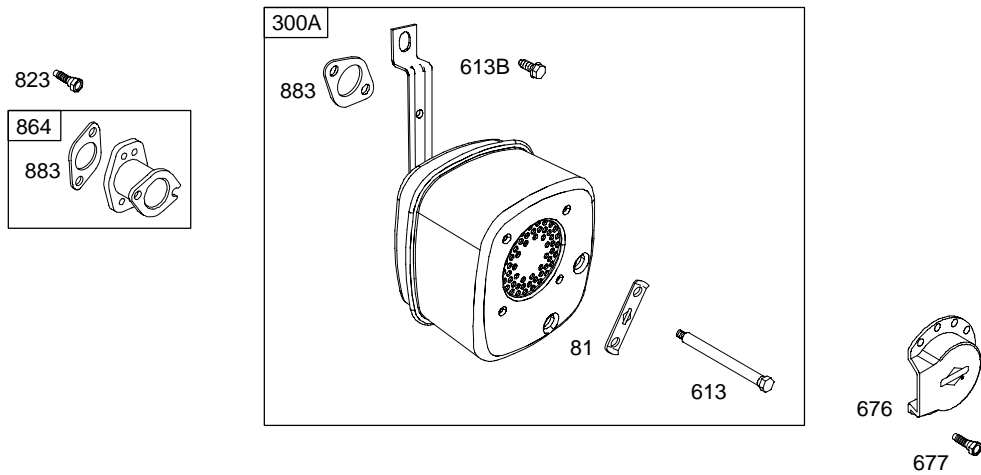
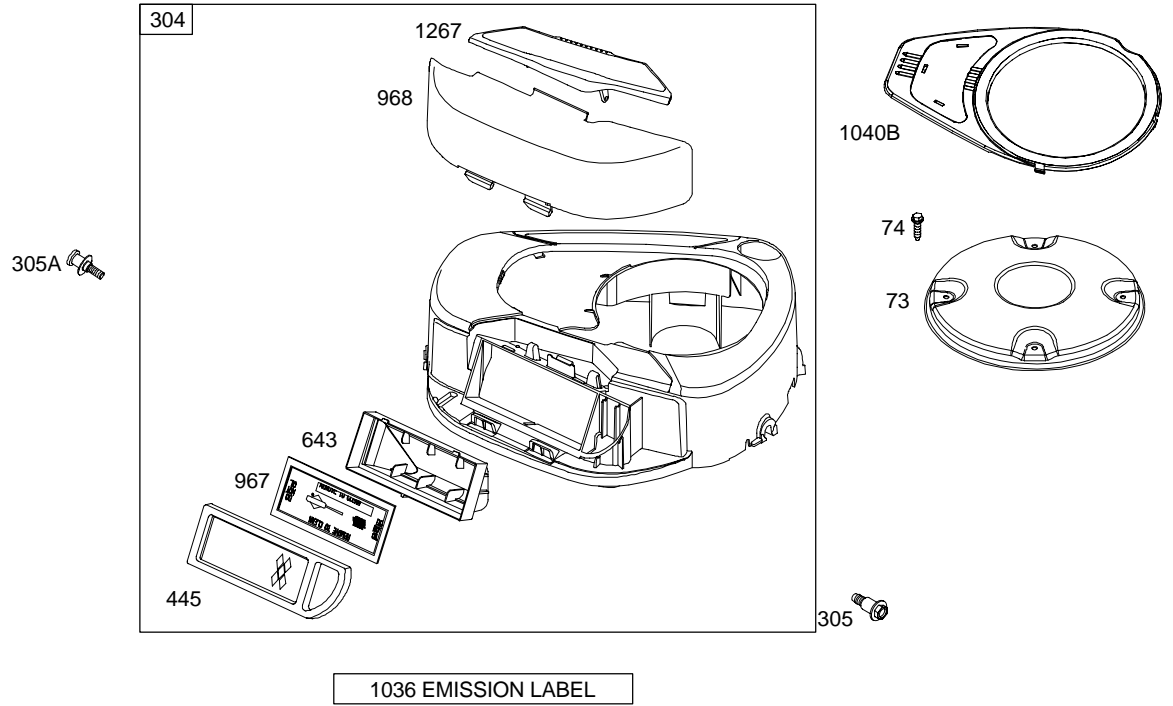


121 CARBURETOR OVERHAUL KIT				
51	104	127	276	987
93	105	137	634A	1266
95	106	142	634	1266A
	117		617	

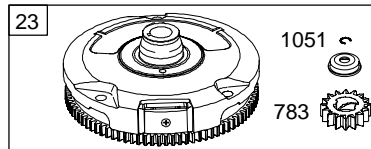
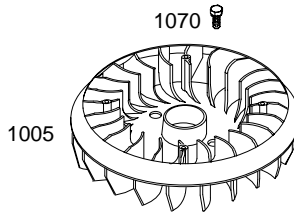
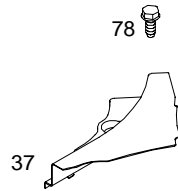
977 CARBURETOR GASKET SET		
51	137	276



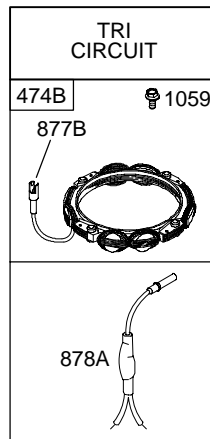
Illustrations cover a range of engines. Parts shown without corresponding text may not be used on your specific engine.




Illustrations cover a range of engines. Parts shown without corresponding text may not be used on your specific engine.

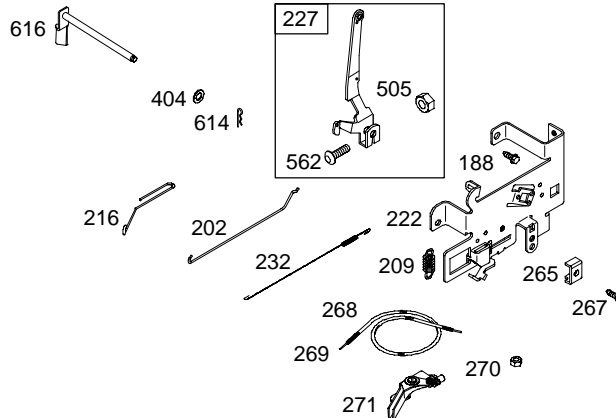
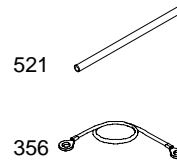
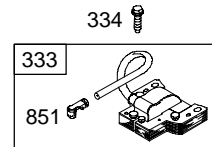
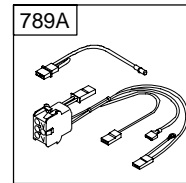
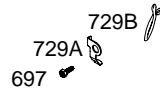
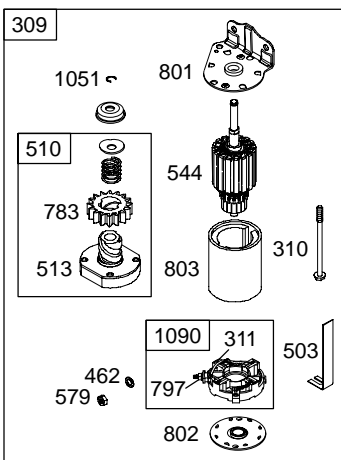


*Illustrations cover a range of engines. Parts shown without corresponding text may not be used on your specific engine.*



**NOTE:** All stators use a No. 1119 mounting screw. 

**NOTE:** The proper flywheel part number and/or the alternator magnet size will determine the alternator type or output. See repair instruction manual for additional information.



Illustrations cover a range of engines. Parts shown without corresponding text may not be used on your specific engine.  
 6175-7 Assemblies include all parts shown in frames. 08/05/2004

# 280J00

REF. NO.	PART NO.	DESCRIPTION	REF. NO.	PART NO.	DESCRIPTION	REF. NO.	PART NO.	DESCRIPTION
1	697132	Cylinder Assembly	29	697126	Rod-Connecting (Standard)	121	697241	Kit-Carburetor Overhaul
2	399265	Kit-Bushing/Seal (Magneto Side)			————— <b>Note</b> —————	125	699937	Carburetor (Walbro)(Pump Feed)
3	★391086	Seal-Oil (Magneto Side)			697263 Rod- Connecting (.020" Undersize)	127	695005	Plug-Welch (5/16" Diameter)
4	697106	Sump-Engine	32	692852	Screw (Connecting Rod)	130	691750	Valve-Throttle
5	698148	Head-Cylinder	33	695760	Valve-Exhaust	131	494379	Kit-Throttle Shaft
7	△★273280	Gasket-Cylinder Head	34	695761	Valve-Intake	133	494381	Float-Carburetor
9	★697109	Gasket-Breather	35	691279	Spring-Valve (Intake)	137	◆★281165	Gasket-Float Bowl
10	697157	Screw (Breather Assembly)	36	691279	Spring-Valve (Exhaust)	141	495097	Kit-Choke Shaft (697205)
11	697113	Tube-Breather	37	697352	Guard-Flywheel	141A	495931	Kit-Choke Shaft (697202)
12	★697110	Gasket-Crankcase (.015" Thick) (Standard)	42	499586	Keeper-Valve	142	◆697140	Nozzle-Carburetor (Standard)
13	690360	Screw (Cylinder Head)	43	691968	Slinger-Governor/Oil	146	691639	Key-Timing
15	690946	Plug-Oil Drain (Square Head)	45	690564	Tappet-Valve	186	692317	Connector-Hose (90 Degree)
16	697127	Crankshaft	46	698492	Camshaft	186A	698174	Connector-Hose (Straight)
20	★690947	Seal-Oil (PTO Side)	50	690193	Manifold-Intake	187B	698417	Line-Fuel (Formed)(10-1/4 Inches Long)(Cut To Required Length)
22	692125	Screw (Crankcase Cover/ Sump)	51△★◆	◆692137	Gasket-Intake			
23	693556	Flywheel	53	690227	Stud (Carburetor)			
24	222698	Key-Flywheel	54	691148	Screw (Intake Manifold)			
25	698371	Piston Assembly (Standard) 698394 Piston Assembly (.020" Oversize)	73	697133	Screen-Rotating	188	691693	Screw (Control Bracket)
26	698375	Ring Set (Standard) 698397 Ring Set (.020" Oversize)	74	697897	Screw (Rotating Screen)	192	691986	Adjuster-Rocker Arm
27	698469	Lock-Piston Pin	78	691003	Screw (Flywheel Guard)	202	691841	Link-Mechanical Governor
28	697099	Pin-Piston (Standard)	81	691178	Lock-Muffler Screw	209	692208	Spring-Governor
			93	◆690602	Bushing-Throttle Shaft	216	691840	Link-Choke
			94	498030	Kit-Idle Mixture	222	694042	Bracket-Control
			95	◆691636	Screw (Throttle Valve)	227	691374	Lever-Governor Control
			98	495800	Kit-Idle Speed	232	691842	Spring-Governor Link
			104	◆690525	Pin-Float Hinge	238	691843	Cap-Valve
			105	◆231855	Valve-Float Needle	240B	691035	Filter-Fuel (Includes Paper Element With A 40 Micron Rating)
			106	◆691780	Seat-Inlet (Pump Feed)	265	691024	Clamp-Casing
			108	690464	Valve-Choke (697205)	267	690804	Screw (Casing Clamp)
			108A	692344	Valve-Choke (697202)	268	691025	Casing-Control Wire (Cut to Required Length)
			117	◆694352	Jet-Main (Standard)			
			118	697228	Jet-Main (High Altitude)			

★ Included in Engine Gasket Set-Ref. No.358.

● Included in Carburetor Overhaul Kit-Ref. No. 121.

◆ Included in Carburetor Gasket Set-Ref. No. 977.

△ Included in Valve Gasket Set-Ref. No 1095.

*Illustrations cover a range of engines. Parts shown without corresponding text may not be used on your specific engine.*



REF. NO.	PART NO.	DESCRIPTION	REF. NO.	PART NO.	DESCRIPTION	REF. NO.	PART NO.	DESCRIPTION
269	691026	Wire—Control (Cut to Required Length)	510	693699	Drive—Starter	718	690959	Pin—Locating
270	691027	Nut (Control Wire Casing)	513	692024	Clutch—Drive	729	691335	Clip—Wire (Wire Saddle)
271	691028	Lever—Control	521	690581	Shield—Cable	729A	691224	Clip—Wire (Aluminum Coated Steel)
276	◆692255	Washer—Sealing	523	699908	Dipstick	729B	694123	Clip—Wire (Nylon)
300A	698356	Muffler	524	★691032	Seal—Dipstick Tube	741	697128	Gear—Timing
304	698599	Housing—Blower (Black)	525	697085	Tube—Dipstick	757	697607	Link—Counterweight
305	697102	Screw (Blower Housing)	526	697088	Screw (Regulator)	758	697134	Counterweight
305A	697103	Screw (Blower Housing)	544	692034	Armature—Starter	759	697392	Pin—Counterweight
306	697107	Shield—Cylinder	552	697144	Bushing—Governor	783	693713	Gear—Pinion
307	691003	Screw (Cylinder Shield)	562	691119	Bolt (Governor Control Lever)	789A	698329	Harness—Wiring
309	693551	Motor—Starter	579	691029	Nut (Starter Cable)	797	693167	Nut (Brush Retainer)
310	690323	Bolt (Starter Motor)	584	697112	Cover—Breather Passage	801	691283	Cap—Drive
311	497608	Brush Set	601	95162	Clamp—Hose	802	691286	Cap—End
333	492341	Armature—Magneto	613	691416	Screw (Muffler)	803	693757	Housing—Starter
334	691061	Screw (Magneto Armature)	613B	691678	Screw (Muffler)	823	698941	Screw (Muffler Adapter)
337	491055	Spark Plug	614	691620	Pin—Cotter	830	691095	Stud—Rocker Arm
356	697089	Wire—Stop	616	692012	Crank—Governor	842	★691031	Seal—O Ring (Dipstick Tube)
358	697151	Gasket Set—Engine	617	◆★692138	Seal—O Ring (Intake Manifold)	847	790443	Dipstick/Tube Assembly
363	19203	Flywheel Puller	634	●690801	Spring/Seal Assembly (697205)	851	692424	Terminal—Spark Plug
383	89838	Wrench—Spark Plug	634A	●690802	Spring/Seal Assembly (697202)	864	697346	Adapter—Muffler
385	694476	Screw (Fuel Pump)	635	691909	Boot—Spark Plug	868	△★690968	Seal—Valve
385A	690297	Screw (Fuel Pump)	643	698401	Retainer—Air Filter	877B	393537	Wire/Connector— Alternator (Tri Circuit)
387	697090	Pump—Fuel (Includes Mounting Bracket)	654	690958	Nut (Carburetor)	878A	691955	Harness—Alternator (Alternator to Regulator)
387A	808656	Pump—Fuel	676	393761	Deflector—Muffler	883	692236	Gasket—Exhaust
404	691691	Washer (Governor Crank)	677	690661	Screw (Muffler Deflector)	914	691108	Screw (Rocker Cover)
431	697122	Elbow—Intake	691	★692407	Seal—Governor Shaft	918	697091	Hose—Vacuum
445	697083	Filter—Air Cleaner (Non Washable)	697	690372	Screw (Drive Cap)	947	694393	Solenoid—Fuel
462	691261	Washer (Starter Cable)				950	691657	Screw (Float Bowl)
474B	696457	Alternator (Tri—Circuit)				967	697015	Filter—Pre Cleaner
501	691188	Regulator						
503	691532	Strap—Starter						
505	691251	Nut (Governor Control Lever)						

★ Included in Engine Gasket Set—Ref. No.358.

● Included in Carburetor Overhaul Kit—Ref. No. 121.

◆ Included in Carburetor Gasket Set—Ref. No. 977.

△ Included in Valve Gasket Set—Ref. No 1095.

*Illustrations cover a range of engines. Parts shown without corresponding text may not be used on your specific engine.*

# 280J00

REF. NO.	PART NO.	DESCRIPTION	REF. NO.	PART NO.	DESCRIPTION	REF. NO.	PART NO.	DESCRIPTION
968	698403	Cover–Air Cleaner (Black)	1029	691751	Arm–Rocker	1263	697124	Reed–Breather
975	495933	Bowl–Float	1034	690822	Guide–Push Rod	1264	697104	Screw (Breather Reed)
977	690192	Gasket Set–Carburetor	1036	790464	Label–Emission	1266	★●691917	Seal–O Ring (Intake Elbow)
987	●691326	Seal–Throttle Shaft	1040B	699852	Plate–Trim	1266A	●697123	Seal–O Ring (Intake Elbow)
1005	699043	Fan–Flywheel	1044	698139	Screw (Flywheel)	1267	697419	Latch–Blower Housing (Black)
1017	690770	Screen–Oil Pump (Push In)	1051	691265	Ring–Retaining	1270	697156	Plug–AVS Counterweight
1019	699459	Kit–Label	1058	275935	Operator’s Manual	1330	272147	Repair Manual
1022	Δ★272475	Gasket–Rocker Cover	1059	698516	Kit–Screw/Washer			
1023	692492	Cover–Rocker Arm	1070	690372	Screw (Flywheel Fan)			
1026	692003	Rod–Push (Intake)	1090	691293	Retainer–Brush			
		<b>Note</b> ———	1091	691333	Cap–Limiter			
		692011 Rod–Push (Exhaust)	1095	691581	Gasket Set–Valve			
			1119	691183	Screw (Alternator)			

★ Included in Engine Gasket Set–Ref. No.358.

● Included in Carburetor Overhaul Kit–Ref. No. 121.

◆ Included in Carburetor Gasket Set–Ref. No. 977.

Δ Included in Valve Gasket Set–Ref. No 1095.

*Illustrations cover a range of engines. Parts shown without corresponding text may not be used on your specific engine.*