

281H00

Illustrated Parts List

Model Series

281H00

TYPE NUMBERS
0111 THROUGH 0384.

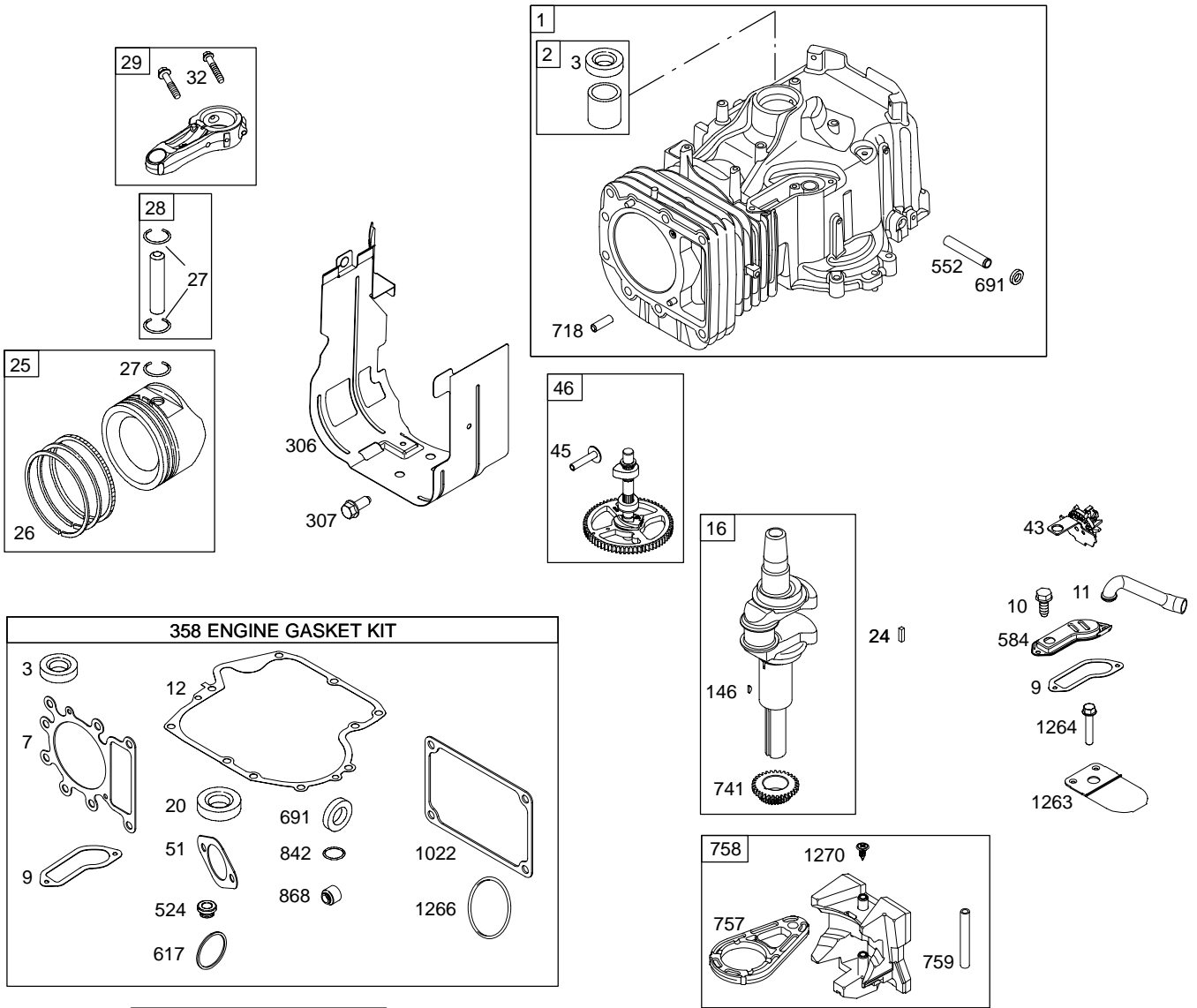
TABLE OF CONTENTS

Air Cleaner	5
Alternator	7
Blower Housing	5
Camshaft	2
Carburetor	4
Controls	7
Crankshaft	2
Cylinder	2
Cylinder Head	3
Electric Starter	7
Engine Sump	2
Flywheel	6
Fuel Supply	4
Gasket Sete – Engine	2
Gasket Set – Valve	3
Governor Spring	7
Ignition	7
Kit – Carburetor Overhaul	4
Lubrication	3
Piston, Rings, Connecting Rod	2
Valves	3



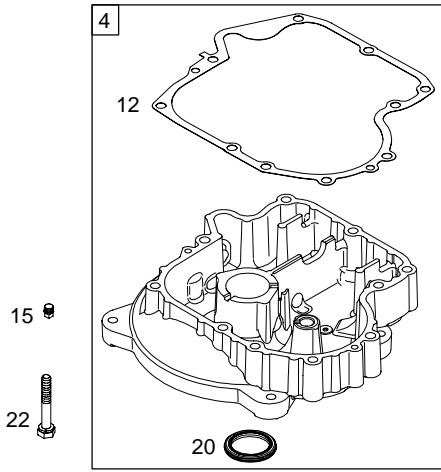
PRINTED IN U.S.A.

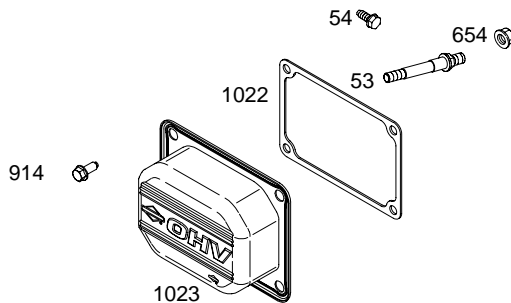
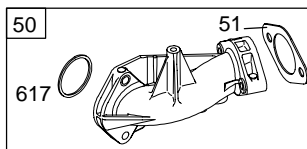
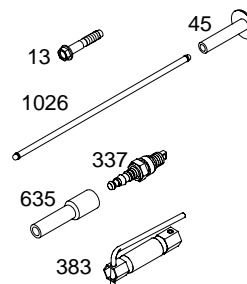
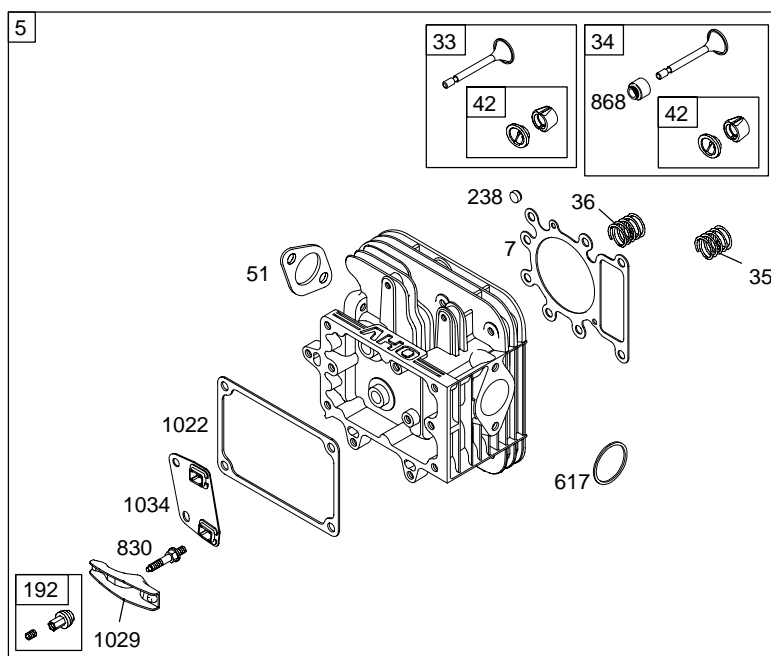
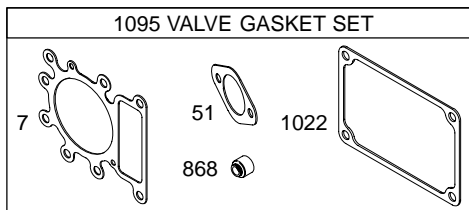
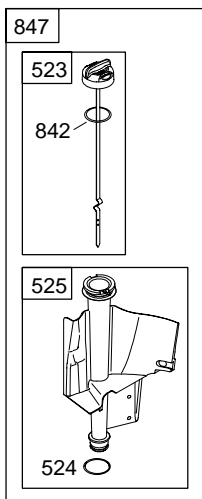
COPYRIGHT by BRIGGS & STRATTON CORPORATION
All rights reserved. No part of this material may be reproduced or transmitted, in any form or by any means, electronic or mechanical, including photocopying, recording or by any information storage and retrieval system, without permission in writing from Briggs & Stratton Corporation.



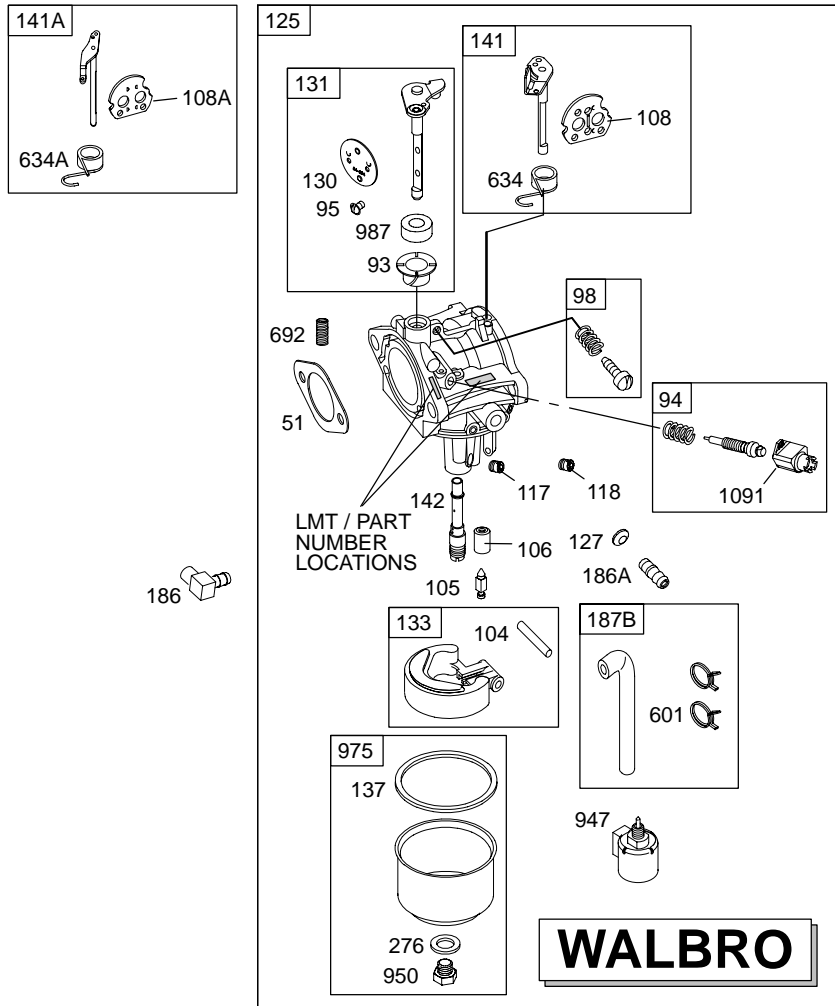
1019 LABEL KIT
1058 OWNER'S MANUAL

1330 REPAIR MANUAL



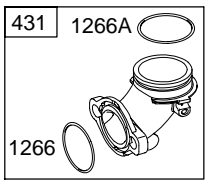
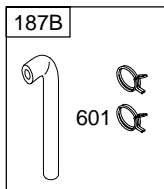


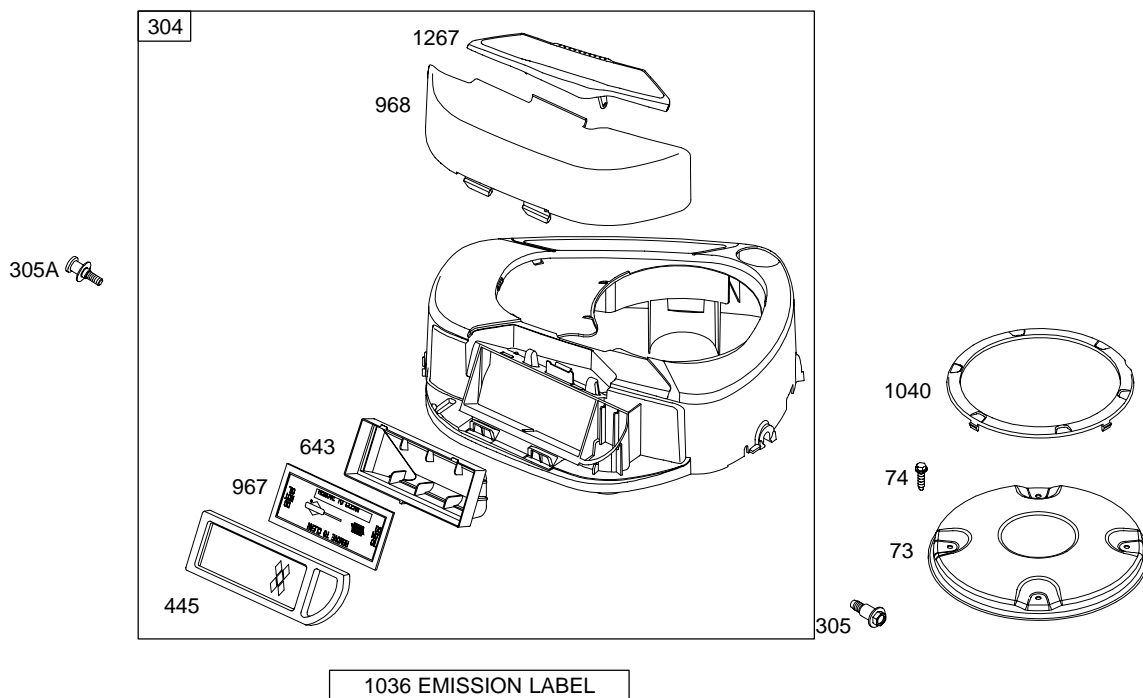
Illustrations cover a range of engines. Parts shown without corresponding text may not be used on your specific engine.
 5447-3 Assemblies include all parts shown in frames.



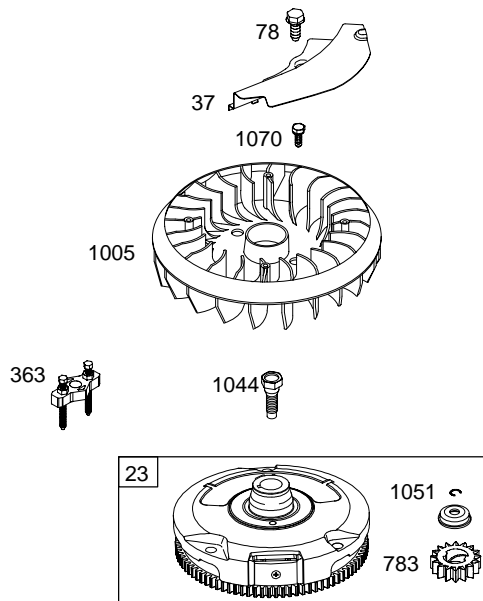
121 CARBURETOR OVERHAUL KIT					
51	104	127	276	987	
	105	137	634A		1266
93	106	142	634		
95	117		617		1266A

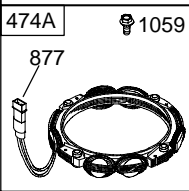
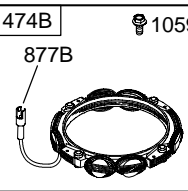

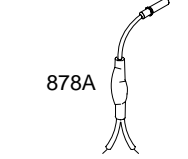
977 CARBURETOR GASKET SET		
51	137	276






Illustrations cover a range of engines. Parts shown without corresponding text may not be used on your specific engine.

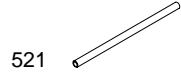
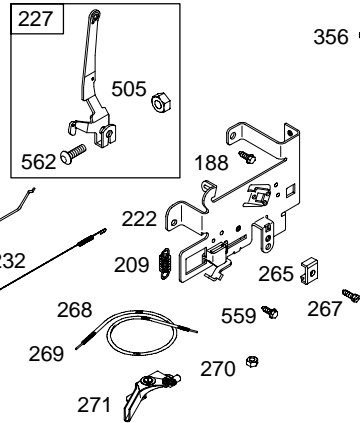
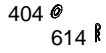
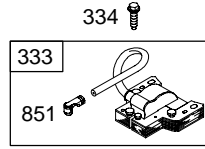
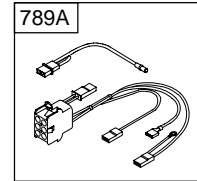
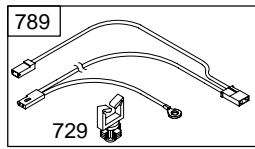
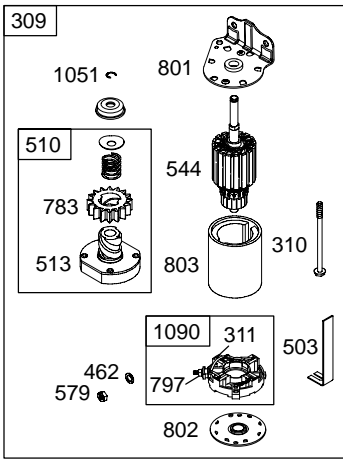


DUAL CIRCUIT		TRI CIRCUIT	
474A	1059	474B	1059
			
			



NOTE: All stators use a No. 1119 mounting screw. 

NOTE: The proper flywheel part number and/or the alternator magnet size will determine the alternator type or output. See repair instruction manual for additional information.



281H00

REF. NO.	PART NO.	DESCRIPTION	REF. NO.	PART NO.	DESCRIPTION	REF. NO.	PART NO.	DESCRIPTION
1	697132	Cylinder Assembly	28	697099	Pin-Piston (Standard)	130	691750	Valve-Throttle
2	399265	Kit-Bushing/Seal (Magneto Side)	29	697126	Rod-Connecting (Standard)	131	494379	Kit-Throttle Shaft
3	★391086	Seal-Oil (Magneto Side)	32	692852	Screw (Connecting Rod)	133	494381	Float-Carburetor
4	697106	Sump-Engine	33	695760	Valve-Exhaust	137	●◆281165	Gasket-Float Bowl
5	698148	Head-Cylinder	34	695761	Valve-Intake	141	495097	Kit-Choke Shaft (LMT 697204)
7	△★273280	Gasket-Cylinder Head	35	691279	Spring-Valve (Intake)	141A	495931	Kit-Choke Shaft (LMT 696181, 697203)
9	★697109	Gasket-Breather	36	691279	Spring-Valve (Exhaust)	142	●697140	Nozzle-Carburetor (Standard)
10	697157	Screw (Breather Assembly)	37	697352	Guard-Flywheel	146	691639	Key-Timing
11	697113	Tube-Breather	42	499586	Keeper-Valve	186	692317	Connector-Hose (90 Degree)
12	★697110	Gasket-Crankcase	43	691968	Slinger-Governor/Oil	186A	698174	Connector-Hose (Straight)
13	690360	Screw (Cylinder Head)	45	690564	Tappet-Valve	187B	698417	Line-Fuel (Formed)(10-1/4 Inches Long)(Cut to Required Length)
15	690946	Plug-Oil Drain (3/8" Standard)	46	698492	Camshaft	188	691693	Screw (Control Bracket)
16	697127	Crankshaft	50	690193	Manifold-Intake	192	691986	Adjuster-Rocker Arm
20	★690947	Seal-Oil (PTO Side)	51△★◆692137	Gasket-Intake	202	691841	Link-Mechanical Governor	
22	692125	Screw (Crankcase Cover/ Sump)	53	690227	Stud (Carburetor)	209	692208	Spring-Governor (Green) Used on Type No(s). 0111, 0372, 0384.
23	693556	Flywheel Used on Type No(s). 0111, 0112, 0113.	54	691148	Screw (Intake Manifold)			————— Note ————— 260902 Spring- Governor (No Color) Used on Type No(s). 0112.
		Note ————— 693557 Flyqhwvl Used on Type No(s). 0372, 0384.	73	697133	Screen-Rotating			690576 Spring- Governor (Gold) Used on Type No(s). 0113.
24	222698	Key-Flywheel	74	697897	Screw (Rotating Screen)	216	691840	Link-Choke
25	698371	Piston Assembly (Standard)	78	691003	Screw (Flywheel Guard)	222	694042	Bracket-Control
		Note ————— 698393 Piston Assembly (.010" Oversize) 698394 Piston Assembly (.020" Oversize) 698395 Piston Assembly (.030" Oversize)	93	●690602	Bushing- Throttle Shaft	227	691374	Lever-Governor Control
		Note ————— 698396 Ring Set (.010" Oversize) 698397 Ring Set (.020" Oversize) 698398 Ring Set (.030" Oversize)	94	498030	Kit-Idle Mixture	232	691842	Spring-Governor Link
26	698375	Ring Set (Standard)	95	●691636	Screw (Throttle Valve)	238	691843	Cap-Valve
		Note ————— 698396 Ring Set (.010" Oversize) 698397 Ring Set (.020" Oversize) 698398 Ring Set (.030" Oversize)	98	495800	Kit-Idle Speed	240	394358	Filter-Fuel (White, 75 Microns)
27	698469	Lock-Piston Pin	104	●690525	Pin-Float Hinge			
		Note ————— 698399 Piston Assembly (.010" Oversize) 698400 Piston Assembly (.020" Oversize) 698401 Piston Assembly (.030" Oversize)	105	●231855	Valve-Float Needle			
		Note ————— 698402 Piston Assembly (.010" Oversize) 698403 Piston Assembly (.020" Oversize) 698404 Piston Assembly (.030" Oversize)	106	●690577	Seat-Inlet (Gravity Feed)			
		Note ————— 698405 Piston Assembly (.010" Oversize) 698406 Piston Assembly (.020" Oversize) 698407 Piston Assembly (.030" Oversize)	108	690464	Valve-Choke (LMT 697204)			
		Note ————— 698408 Piston Assembly (.010" Oversize) 698409 Piston Assembly (.020" Oversize) 698410 Piston Assembly (.030" Oversize)	108A	692344	Valve-Choke (LMT 696181, 697203)			
		Note ————— 698411 Piston Assembly (.010" Oversize) 698412 Piston Assembly (.020" Oversize) 698413 Piston Assembly (.030" Oversize)	117	●694352	Jet-Main (Standard)			
		Note ————— 698414 Piston Assembly (.010" Oversize) 698415 Piston Assembly (.020" Oversize) 698416 Piston Assembly (.030" Oversize)	118	697228	Jet-Main (High Altitude)			
		Note ————— 698417 Piston Assembly (.010" Oversize) 698418 Piston Assembly (.020" Oversize) 698419 Piston Assembly (.030" Oversize)	121	697241	Kit-Carburetor Overhaul (Walbro)			
		Note ————— 698420 Piston Assembly (.010" Oversize) 698421 Piston Assembly (.020" Oversize) 698422 Piston Assembly (.030" Oversize)	125	698445	Carburetor (Gravity Feed)			
		Note ————— 698423 Piston Assembly (.010" Oversize) 698424 Piston Assembly (.020" Oversize) 698425 Piston Assembly (.030" Oversize)	127	●695005	Plug-Welch			

★ Included in Engine Gasket Set-Ref. No.358.

● Included in Carburetor Overhaul Kit-Ref. No. 121.

◆ Included in Carburetor Gasket Set-Ref. No. 977.

△ Included in Valve Gasket Set-Ref. No 1095.

Illustrations cover a range of engines. Parts shown without corresponding text may not be used on your specific engine.

REF. NO.	PART NO.	DESCRIPTION	REF. NO.	PART NO.	DESCRIPTION	REF. NO.	PART NO.	DESCRIPTION
265	691024	Clamp—Casing	344	693675	Screw (Cable Clamp)	616	692012	Crank—Governor
267	690804	Screw (Casing Clamp) Used on Type No(s). 0111, 0112, 0113.	356	697089	Wire—Stop	617	★692138	Seal—O Ring (Intake Manifold)
		Note	358	697151	Gasket Set—Engine	634	●690801	Spring/Seal Assembly (LMT 697204)
		695134 Screw Used on Type No(s). 0372, 0384.	363	19203	Puller—Flywheel	634A	●690802	Spring/Seal Assembly (LMT 696181, 697203)
268	691025	Casing—Control Wire (Cut To Required Length)	383	89838	Wrench—Spark Plug	635	691909	Boot—Spark Plug
269	691026	Wire—Control (Cut To Required Length)	404	691691	Washer (Governor Crank)	643	698401	Retainer—Air Filter
270	691027	Nut (Control Wire Casing)	431	697122	Elbow—Intake	654	690958	Nut (Carburetor)
271	691028	Lever—Control	445	698083	Filter—Air Cleaner Cartridge (Non Washable)	691	★692407	Seal—Governor Shaft
276	●692255	Washer—Sealing	462	691261	Washer (Starter Cable)	692	690572	Spring—Detent
304	698599	Housing—Blower (Black) Used on Type No(s). 0111, 0112, 0113.	474A	696459	Alternator (Dual Circuit) Used on Type No(s). 0372, 0384.	697	690372	Screw (Drive Cap)
		Note	474B	696457	Alternator (Tri Circuit) Used on Type No(s). 0111, 0112, 0113.	718	690959	Pin—Locating
		698402 Housing— Blower (Red) Used on Type No(s). 0372, 0384.	501	691185	Regulator	729	691335	Clip—Wire (Wire Saddle)
305	697102	Screw (Blower Housing)	503	691532	Strap—Starter	729A	691224	Clip—Wire (Aluminum Coated Steel)
305A	697103	Screw (Blower Housing)	505	691251	Nut (Governor Control Lever)	729B	694123	Clip—Wire (Nylon)
306	697107	Shield—Cylinder	510	693699	Drive—Starter	741	697128	Gear—Timing
307	691003	Screw (Cylinder Shield)	513	692024	Clutch—Drive	757	697607	Link—Counterweight
309	693551	Motor—Starter	521	690581	Shield—Cable	758	697134	Counterweight
310	690323	Bolt (Starter Motor)	523	699908	Dipstick	759	697392	Pin—Counterweight
311	497608	Brush Set	524	★691032	Seal—Dipstick Tube	783	693713	Gear—Pinion
333	492341	Armature—Magneto	525	697184	Tube—Dipstick	789	692037	Harness—Wiring Used on Type No(s). 0111, 0112, 0113.
334	691061	Screw (Magneto Armature)	526	697348	Screw (Regulator)	789A	698329	Harness—Wiring Used on Type No(s). 0372, 0384.
337	491055	Plug—Spark Used on Type No(s). 0111, 0112, 0113, 0372.	544	692034	Armature—Starter	797	693167	Nut (Brush Retainer)
		Note	552	697144	Bushing—Governor Crank	801	691283	Cap—Drive
		691043 Plug—Spark Used on Type No(s). 0384.	559	697561	Screw (Remote Choke Stop) Used on Type No(s). 0384.	802	691286	Cap—End
			562	691119	Bolt (Governor Control Lever)	803	693757	Housing—Starter
			579	691029	Nut (Starter Cable)	830	691095	Stud—Rocker Arm
			584	697112	Cover—Breather Passage	842	★691031	Seal—O Ring (Dipstick Tube)
			601	95162	Clamp—Hose	847	790442	Dipstick/Tube Assembly
			614	691620	Pin—Cotter	851	692424	Terminal—Spark Plug
						868	Δ★690968	Seal—Valve
						877	393456	Wire/Connector— Alternator (Dual Circuit) Used on Type No(s). 0372, 0384.

★ Included in Engine Gasket Set—Ref. No.358.

● Included in Carburetor Overhaul Kit—Ref. No. 121.

◆ Included in Carburetor Gasket Set—Ref. No. 977.

Δ Included in Valve Gasket Set—Ref. No 1095.

Illustrations cover a range of engines. Parts shown without corresponding text may not be used on your specific engine.

281H00

REF. NO.	PART NO.	DESCRIPTION	REF. NO.	PART NO.	DESCRIPTION	REF. NO.	PART NO.	DESCRIPTION
877B	393537	Wire/Connector–Alternator (Tri Circuit) Used on Type No(s). 0111, 0112, 0113.	1026	692003	Rod–Push (Intake) ———— Note ———— 692011 Rod–Push (Exhaust)	1051	691265	Ring–Retaining
878	691237	Harness–Alternator (Dual Circuit) Used on Type No(s). 0372, 0384.	1029	691751	Arm–Rocker	1054	280275	Tie–Cable
878A	691955	Harness–Alternator (Tri Circuit) Used on Type No(s). 0111, 0112, 0113.	1034	690822	Guide–Push Rod	1058	275935	Operator’s Manual
914	691108	Screw (Rocker Cover)	1036	790464	Label–Emission (Used After Code Date 04063000). ———— Note ———— 695700 Label–Emission (Used Before Code Date 04070100).	1059	698516	Kit–Screw/Washer
947	694393	Solenoid–Fuel	1040	698368	Plate–Trim	1070	690372	Screw (Flywheel Fan)
950	691657	Screw–Float Bowl	1044	698139	Screw (Flywheel)	1090	691293	Retainer–Brush
967	697015	Filter–Pre Cleaner				1091	691333	Cap–Limiter
968	698403	Cover–Air Cleaner				1095	691581	Gasket Set–Valve
975	495933	Bowl–Float				1119	691183	Screw (Alternator)
977	690192	Gasket Set–Carburetor				1263	697124	Reed–Breather
987	●691326	Seal–Throttle Shaft				1264	697104	Screw (Breather Reed)
1005	699043	Fan–Flywheel				1266	★●691917	Seal–O Ring (Intake Elbow)
1019	699196	Kit–Label				1266A	●697123	Seal–O Ring (Intake Elbow)
1022	△★272475	Gasket–Rocker Cover				1267	697419	Latch–Blower Housing
1023	692492	Cover–Rocker				1270	697156	Plug–AVS Counterweight
						1330	272147	Repair Manual

★ Included in Engine Gasket Set–Ref. No.358.

● Included in Carburetor Overhaul Kit–Ref. No. 121.

◆ Included in Carburetor Gasket Set–Ref. No. 977.

△ Included in Valve Gasket Set–Ref. No 1095.

Illustrations cover a range of engines. Parts shown without corresponding text may not be used on your specific engine.