



# Illustrated Parts List

## Model Series

# 282H00

TYPE NUMBERS  
0105 through 0382.

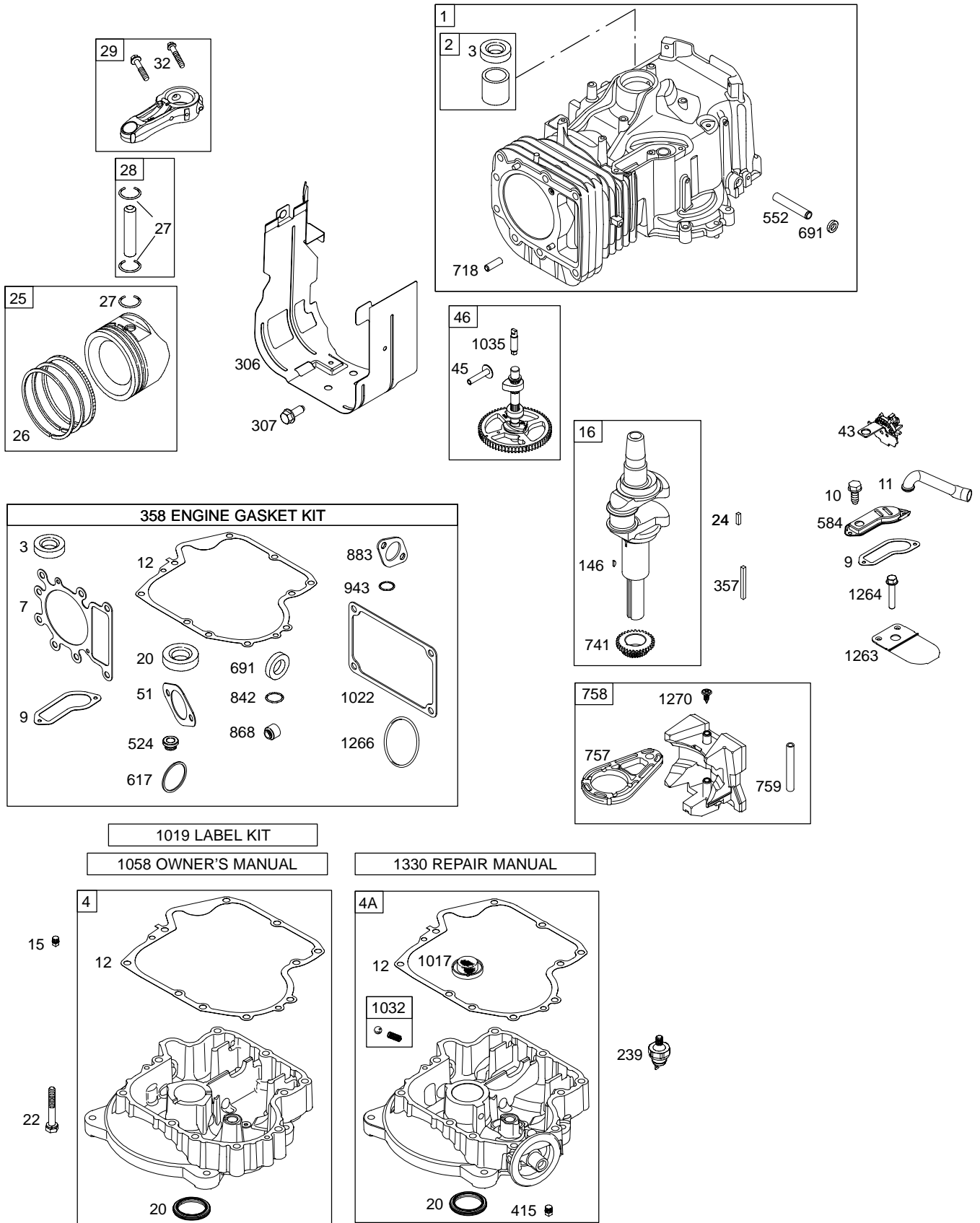
### TABLE OF CONTENTS

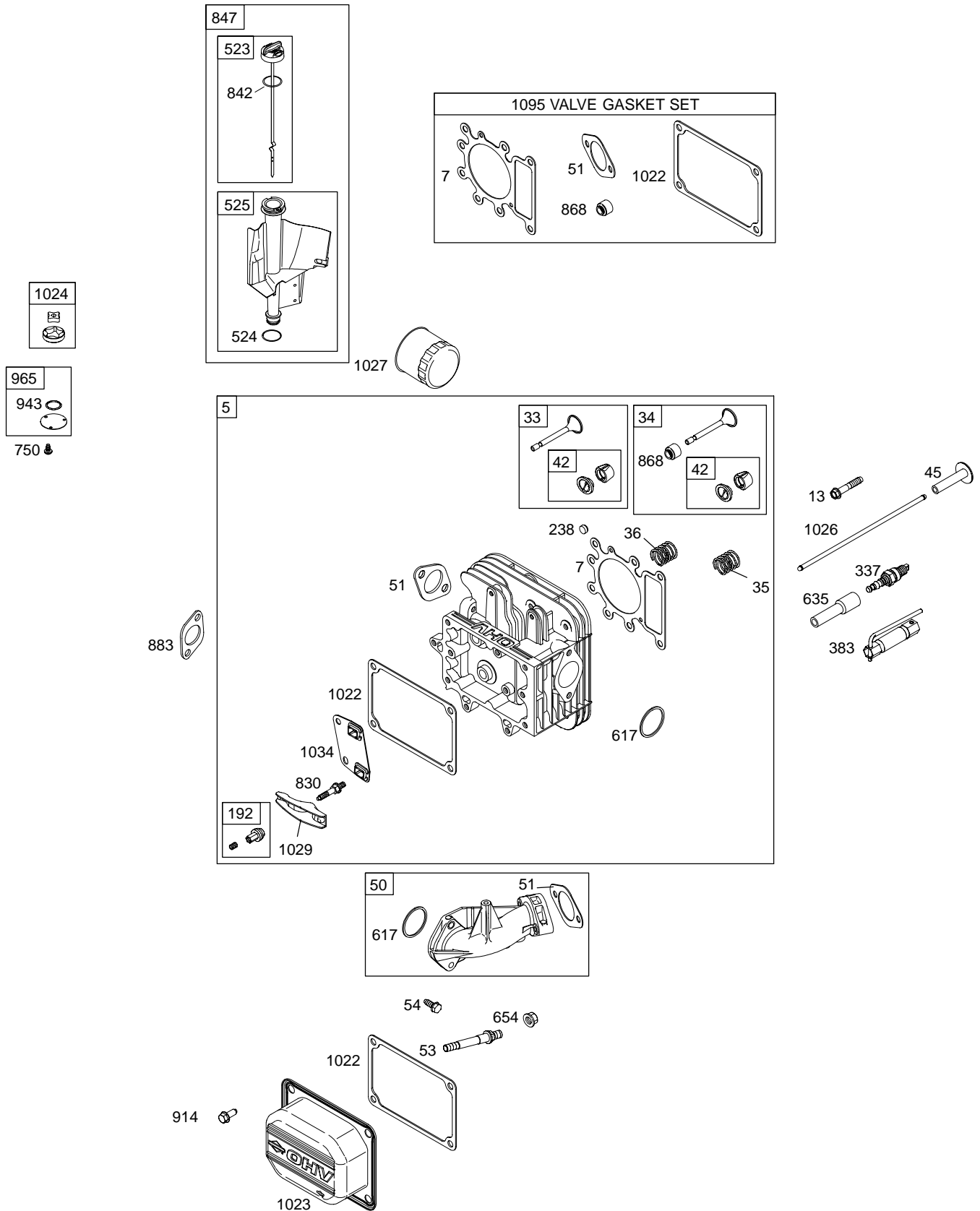
Air Cleaner .....	5
Alternator .....	7
Blower Housing .....	5
Camshaft .....	2
Carburetor .....	4
Controls .....	7
Crankshaft .....	2
Cylinder .....	2
Cylinder Head .....	3
Electric Starter .....	7
Engine Sump .....	2
Flywheel .....	6
Fuel Supply .....	4
Gasket Set – Engine .....	2
Gasket Set – Valve .....	3
Governor Spring .....	7
Ignition .....	7
Kit – Carburetor Overhaul .....	4
Lubrication .....	3
Piston, Rings, Connecting Rod .....	2
Valves .....	3



PRINTED IN U.S.A.

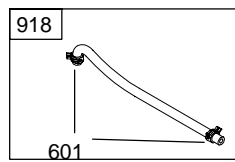
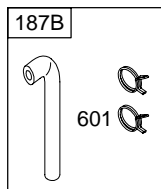
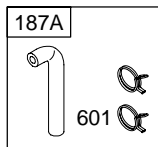
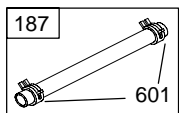
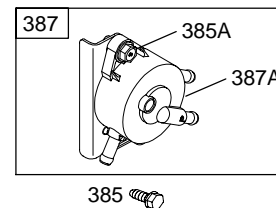
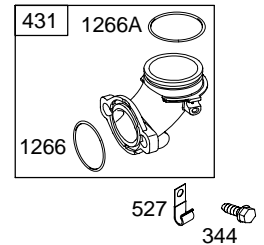
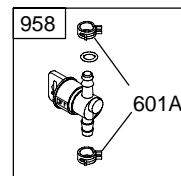
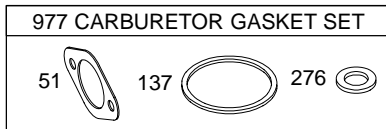
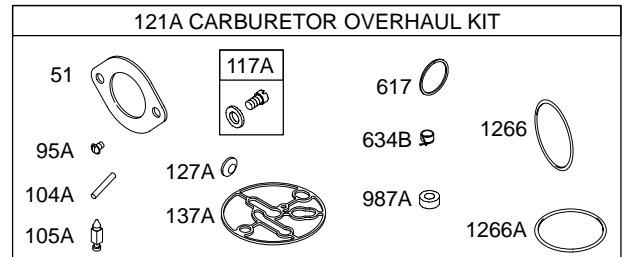
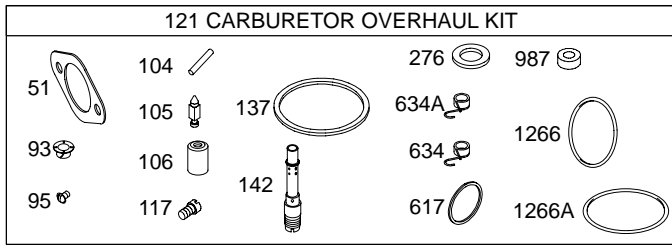
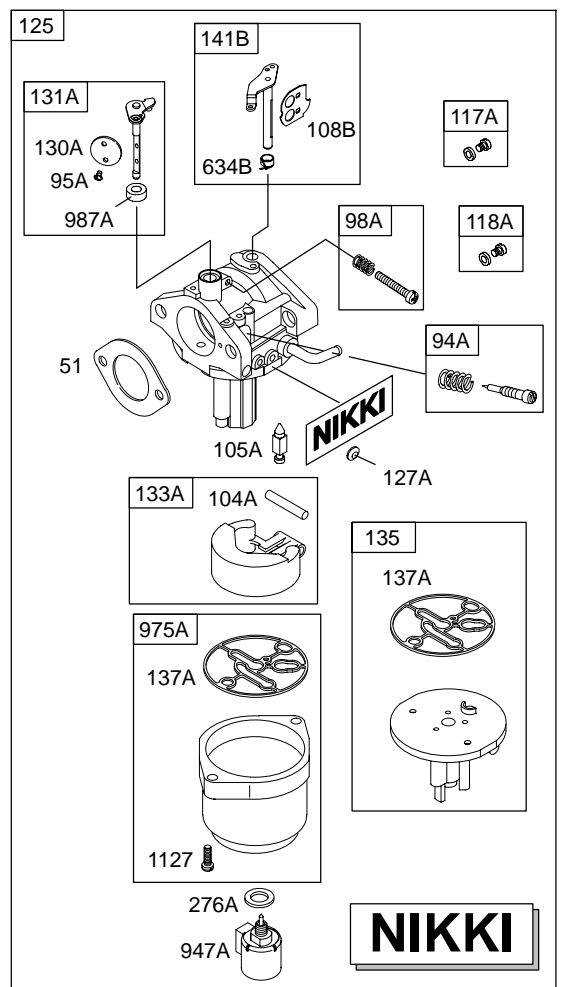
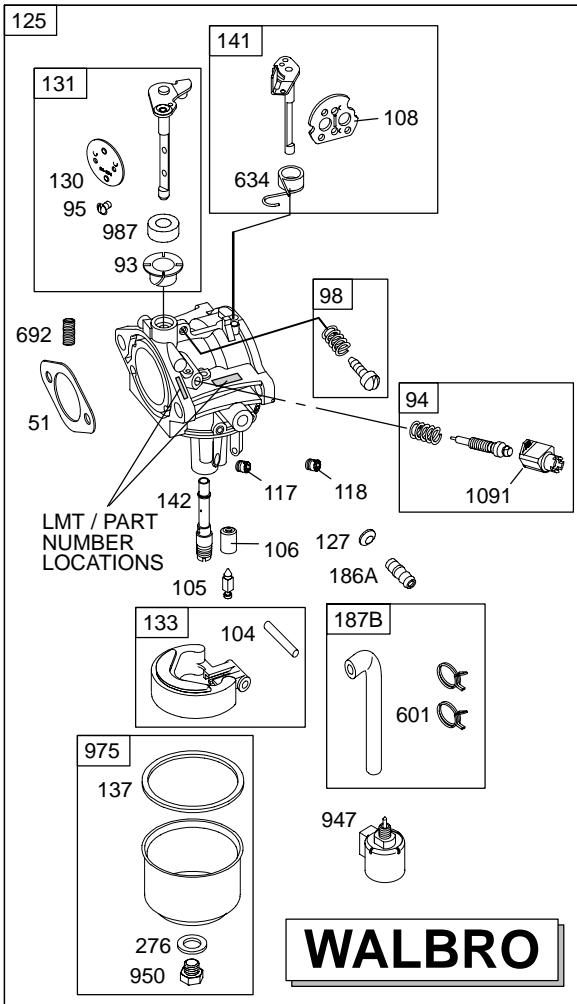
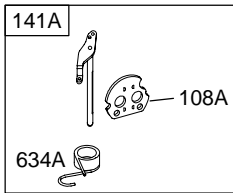
COPYRIGHT by BRIGGS & STRATTON CORPORATION  
All rights reserved. No part of this material may be reproduced or transmitted, in any form or by any means, electronic or mechanical, including photocopying, recording or by any information storage and retrieval system, without permission in writing from Briggs & Stratton Corporation.



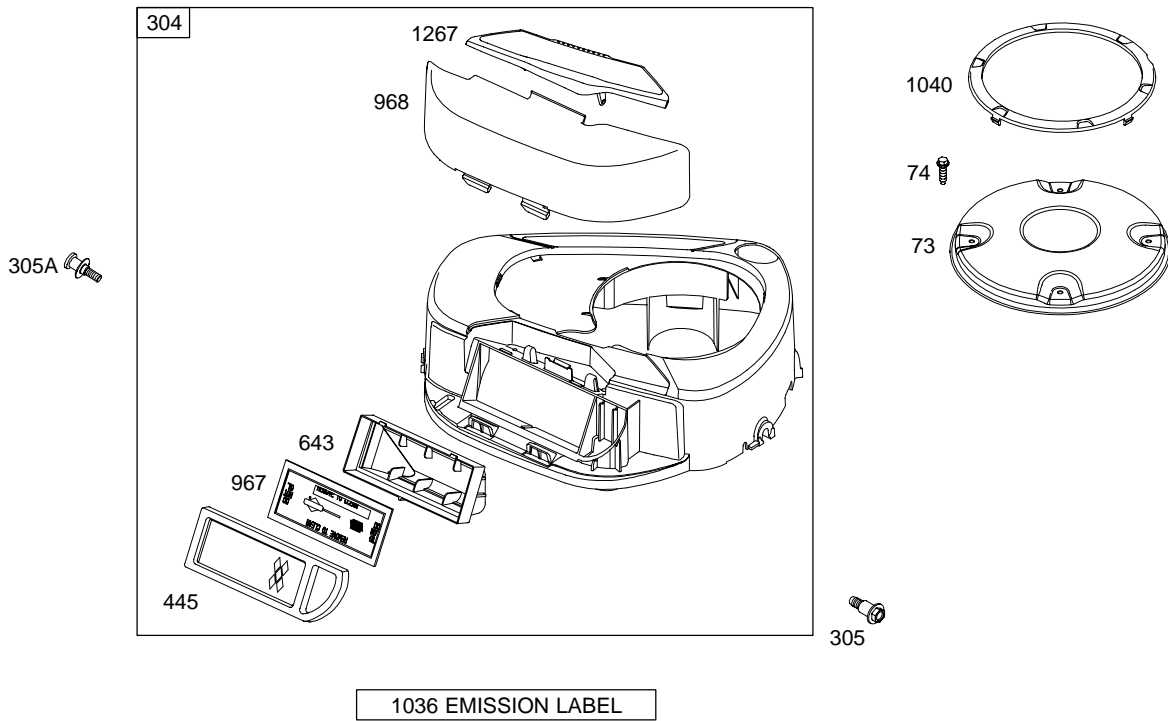


Illustrations cover a range of engines. Parts shown without corresponding text may not be used on your specific engine.  
 5448-3 Assemblies include all parts shown in frames. 11/23/2004

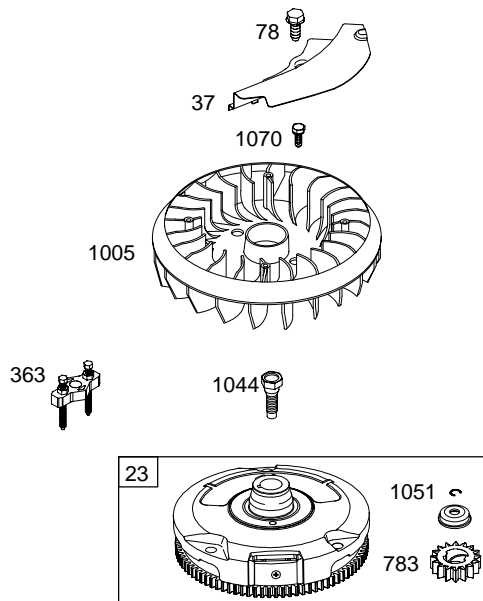
# 282H00

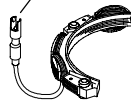


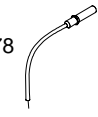

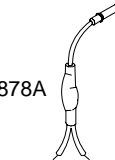


Illustrations cover a range of engines. Parts shown without corresponding text may not be used on your specific engine.




5448-5 *Illustrations cover a range of engines. Parts shown without corresponding text may not be used on your specific engine.* Assemblies include all parts shown in frames. 11/23/2004

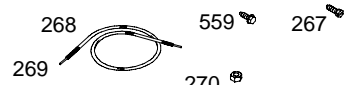
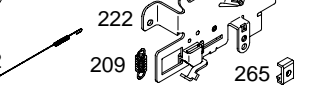
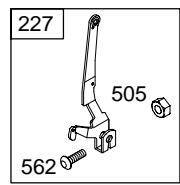
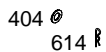
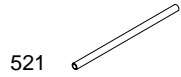
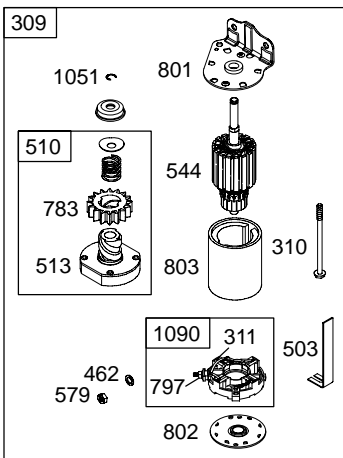
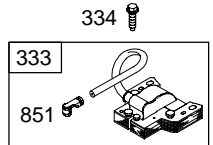
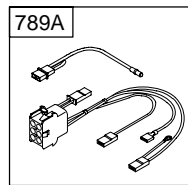
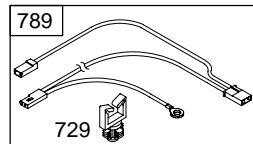


DC ONLY	DUAL CIRCUIT	TRI CIRCUIT
474 877A 	474A 877 	474B 877B 
578 	878 	878A 



**NOTE:** All stators use a No. 1119 mounting screw. 

**NOTE:** The proper flywheel part number and/or the alternator magnet size will determine the alternator type or output. See repair instruction manual for additional information.



Illustrations cover a range of engines. Parts shown without corresponding text may not be used on your specific engine.  
 5448-7 Assemblies include all parts shown in frames. 11/23/2004

# 282H00

REF. NO.	PART NO.	DESCRIPTION	REF. NO.	PART NO.	DESCRIPTION	REF. NO.	PART NO.	DESCRIPTION			
1	697132	Cylinder Assembly	26	698375	Ring Set (Standard)	98	495800	Kit-Idle Speed			
2	399265	Kit-Bushing/Seal (Magneto Side)			<b>Note</b>	98A	695408	Kit-Idle Speed			
3	★391086	Seal-Oil (Magneto Side)			698396	Ring Set (.010" Oversize)	104	●690525	Pin-Float Hinge		
4	697106	Sump-Engine			698397	Ring Set (.020" Oversize)	104A	●694918	Pin-Float Hinge		
4A	697188	Sump-Engine Used on Type No(s). 0242, 0257.			698398	Ring Set (.030" Oversize)	105	●231855	Valve-Float Needle		
5	698148	Head-Cylinder	27	698469	Lock-Piston Pin			105A	●696136	Valve-Float Needle	
7	Δ★273280	Gasket-Cylinder Head	28	697099	Pin-Piston (Standard)			106	●690577	Seat-Inlet (Gravity Feed) (696181, 697203, 697204)	
9	★697109	Gasket-Breather	29	697126	Rod-Connecting (Standard)					<b>Note</b>	
10	697157	Screw (Breather Assembly)	32	692852	Screw (Connecting Rod)					●691780	Seat-Inlet (Pump Feed) (696179, 697202)
11	697113	Tube-Breather	33	695760	Valve-Exhaust	108	690464	Valve-Choke (697204)			
12	★697110	Gasket-Crankcase	34	695761	Valve-Intake	108A	692344	Valve-Choke (696179, 696181, 697202, 697203)			
13	690360	Screw (Cylinder Head)	35	691279	Spring-Valve (Intake)	108B	695419	Valve-Choke			
15	690946	Plug-Oil Drain (Square Head)	36	691279	Spring-Valve (Exhaust)	117	●694352	Jet-Main (Standard)			
16	697127	Crankshaft	37	697352	Guard-Flywheel	117A	●699457	Jet-Main (Standard)			
20	★690947	Seal-Oil (PTO Side)	42	499586	Keeper-Valve	118	697228	Jet-Main (High Altitude)			
22	692125	Screw (Crankcase Cover/ Sump)	43	691968	Slinger-Governor/Oil	118A	699458	Jet-Main (High Altitude)			
23	693557	Flywheel Used on Type No(s). 0110, 0188, 0196, 0198, 0231, 0239, 0242, 0334.	45	690564	Tappet-Valve	121	697241	Kit-Carburetor Overhaul (Walbro Carburetor)			
		<b>Note</b>	46	698492	Camshaft	121A	699521	Kit-Carburetor Overhaul (Nikki Carburetor)			
		693556	50	690193	Manifold-Intake	125	698445	Carburetor (Gravity Feed) (Use to replace pump and gravity carburetors)			
		Used on Type No(s). 0105, 0111, 0113, 0115, 0116, 0117, 0119, 0199, 0257, 0262.	51Δ★●	692137	Gasket-Intake	127	695005	Plug-Welch			
			53	690227	Stud (Carburetor)	127A	●690727	Plug-Welch			
			54	691148	Screw (Intake Manifold)	130	691750	Valve-Throttle			
			73	697133	Screen-Rotating	130A	699500	Valve-Throttle			
			74	697897	Screw (Rotating Screen)	131	494379	Kit-Throttle Shaft			
			78	691003	Screw (Flywheel Guard)	131A	699501	Kit-Throttle Shaft			
			93	●690602	Bushing- Throttle Shaft	133	494381	Float-Carburetor			
			94	498030	Kit-Idle Mixture	133A	694914	Float-Carburetor			
			94A	695425	Kit-Idle Mixture						
			95	●691636	Screw (Throttle Valve)						
			95A	●690718	Screw (Throttle Valve)						
24	222698	Key-Flywheel									
25	698371	Piston Assembly (Standard)									
		<b>Note</b>									
		698393									
		Piston Assembly (.010" Oversize)									
		698394									
		Piston Assembly (.020" Oversize)									
		698395									
		Piston Assembly (.030" Oversize)									

★ Included in Engine Gasket Set-Ref. No.358.

● Included in Carburetor Overhaul Kit-Ref. No. 121 & 121A.

◆ Included in Carburetor Gasket Set-Ref. No. 977.

Δ Included in Valve Gasket Set-Ref. No 1095.

*Illustrations cover a range of engines. Parts shown without corresponding text may not be used on your specific engine.*



REF. NO.	PART NO.	DESCRIPTION	REF. NO.	PART NO.	DESCRIPTION	REF. NO.	PART NO.	DESCRIPTION
135	698780	Tube—Fuel Transfer	209	692208	Spring—Governor Used on Type No(s). 0196, 0231, 0239, 0242, 0257, 0262, 0334.	268	691025	Casing—Control Wire (Cut To Required Length)
137	♦♦281165	Gasket—Float Bowl				269	691026	Wire—Control (Cut To Required Length)
137A	♦♦698781	Gasket—Float Bowl				270	691027	Nut (Control Wire Casing)
141	495097	Kit—Choke Shaft (697204)				271	691028	Lever—Control
141A	495931	Kit—Choke Shaft (696179, 696181, 697202, 697203)			<b>Note</b> 260902 Spring— Governor	276	♦♦692255	Washer—Sealing
141B	698778	Kit—Choke Shaft			Used on Type No(s). 0188, 0382.	276A	♦♦695410	Washer—Sealing
142	♦697140	Nozzle—Carburetor (Standard)			690576 Spring— Governor	304	698402	Housing—Blower (Red) Used on Type No(s). 0105, 0110, 0111, 0113, 0115, 0116, 0117, 0120, 0188, 0196, 0198, 0199, 0231, 0239, 0242, 0257, 0262, 0334, 0382.
146	691639	Key—Timing			Used on Type No(s). 0110, 0115, 0120, 0198, 0199.			<b>Note</b> 698599 Housing— Blower Used on Type No(s). 0119.
186	692317	Connector—Hose (90 Degree)			691795 Spring— Governor	305	697102	Screw (Blower Housing)
186A	698174	Connector—Hose (Straight)			Used on Type No(s). 0105, 0111, 0113, 0116, 0117, 0119.	305A	697103	Screw (Blower Housing)
187	691050	Line—Fuel (Cut To Required Length)			216 691840 Link—Choke	306	697107	Shield—Cylinder
187A	698819	Line—Fuel (Formed)(6 Inches Long)(Cut to Required Length)			222 694042 Bracket—Control	307	691003	Screw (Cylinder Shield)
		698820 Line—Fuel (Formed)(5 1/4 Inches Long)(Cut to Required Length)			227 691374 Lever—Governor Control	309	693551	Motor—Starter <b>Note</b> 693552 Motor—Starter Used on Type No(s). 0110, 0111.
		698821 Line—Fuel (Formed)(4 1/2 Inches Long)(Cut to Required Length)			232 691842 Spring—Governor Link			
187B	698417	Line—Fuel (Formed) (10 1/4 Inches Long) (Cut To Required Length)			238 691843 Cap—Valve			
					239 491657 Switch—Oil Pressure			
188	691693	Screw (Control Bracket)			240 394358 Filter—Fuel (White, 75 Microns)			
192	691986	Adjuster—Rocker Arm			240B 691035 Filter—Fuel (Includes Paper Element With A 40 Micron Rating) Used on Type No(s). 0110, 0117.			
202	691841	Link—Mechanical Governor			265 691024 Clamp—Casing			
					267 690804 Screw (Casing Clamp) Used on Type No(s). 0105, 0110, 0111, 0113, 0115, 0116, 0117, 0119, 0120, 0188, 0199.			
					<b>Note</b> 695134 Screw (Casing Clamp) Used on Type No(s). 0196, 0198, 0231, 0239, 0242, 0257, 0262.			
								<b>Note</b> 491055 Plug—Spark Used on Type No(s). 0188, 0196, 0198, 0231, 0242, 0257, 0334.

★ Included in Engine Gasket Set—Ref. No.358.

● Included in Carburetor Overhaul Kit—Ref. No. 121 &amp; 121A.

◆ Included in Carburetor Gasket Set—Ref. No. 977.

△ Included in Valve Gasket Set—Ref. No 1095.

**Illustrations cover a range of engines. Parts shown without corresponding text may not be used on your specific engine.**

# 282H00

REF. NO.	PART NO.	DESCRIPTION	REF. NO.	PART NO.	DESCRIPTION	REF. NO.	PART NO.	DESCRIPTION
344	693675	Screw (Cable Clamp)	521	690581	Shield-Cable	718	690959	Pin-Locating (Wire Saddle)
356	697089	Wire-Stop	523	699908	Dipstick	729	691335	Clip-Wire
357	691483	Key-Drive Pulley Used on Type No(s). 0115, 0116, 0119.	524	★691032	Seal-Dipstick Tube	729A	691224	Clip-Wire (Aluminum Coated Steel)
358	697151	Gasket Set-Engine	525	697184	Tube-Dipstick Used on Type No(s). 0105, 0111, 0113, 0115, 0116, 0119, 0188, 0196, 0198, 0199, 0231, 0239, 0242, 0262, 0334, 0382.	729B	694123	Clip-Wire (Nylon)
363	19203	Puller-Flywheel			————— <b>Note</b> —————	741	697128	Gear-Timing
383	89838	Wrench-Spark Plug			697085 Tube-Dipstick Used on Type No(s). 0110, 0117, 0120, 0257.	750	790832	Screw (Oil Pump Cover) Used on Type No(s). 0242, 0257.
385	694476	Screw (Fuel Pump)	526	697088	Screw (Regulator)	757	697607	Link-Counterweight
385A	690297	Screw (Fuel Pump)	527	698467	Clamp-Tube	758	697134	Counterweight
387	697090	Pump-Fuel (Includes Mounting Bracket) Used on Type No(s). 0110, 0117, 0257.	544	692034	Armature-Starter	759	697392	Pin-Counterweight
387A	808656	Pump-Fuel Used on Type No(s). 0110, 0117, 0257.	552	697144	Bushing-Governor Crank	783	693713	Gear-Pinion
404	691691	Washer (Governor Crank)	559	697561	Screw (Remote Choke Stop)	789	692037	Harness-Wiring Used on Type No(s). 0105, 0111, 0115, 0116, 0117, 0119, 0120.
415	690283	Plug (Sump)	562	691119	Bolt (Governor Control Lever)	789A	698329	Harness-Wiring Used on Type No(s). 0110, 0113, 0188, 0196, 0198, 0199, 0231, 0239, 0242, 0257, 0262, 0334, 0382.
431	697122	Elbow-Intake	578	692306	Wire Assembly Used on Type No(s). 0110.	797	693167	Nut (Brush Retainer)
445	698083	Filter-Air Cleaner Cartridge (Non Washable)	579	691029	Nut (Starter Cable)	801	691283	Cap-Drive
462	691261	Washer (Starter Cable)	584	697112	Cover-Breather Passage	802	691286	Cap-End
474	696578	Alternator (DC Only) Used on Type No(s). 0110.	601	95162	Clamp-Hose	803	693757	Housing-Starter
474A	696459	Alternator (Dual Circuit) Used on Type No(s). 0188, 0196, 0198, 0231, 0239, 0242, 0334, 0382.	601A	691038	Clamp-Hose	830	691095	Stud-Rocker Arm
474B	696457	Alternator (Tri Circuit) Used on Type No(s). 0105, 0111, 0113, 0115, 0116, 0117, 0119, 0120, 0199, 0257, 0262.	614	691620	Pin-Cotter	842	★691031	Seal-O Ring (Dipstick Tube)
501	691188	Regulator	616	692012	Crank-Governor	847	790442	Dipstick/Tube Assembly Used on Type No(s). 0105, 0111, 0113, 0115, 0116, 0119, 0188, 0196, 0198, 0199, 0231, 0239, 0242, 0262, 0334, 0382.
503	691532	Strap-Starter	617	★692138	Seal-O Ring (Intake Manifold)			————— <b>Note</b> —————
505	691251	Nut (Governor Control Lever)	634	●690801	Spring/Seal Assembly (697204)	790443	Dipstick/Tube Assembly Used on Type No(s). 0110, 0117, 0120, 0257.	
510	693699	Drive-Starter	634A	●690802	Spring/Seal Assembly (696179, 696181, 697202, 697203)	851	692424	Terminal-Spark Plug
513	692024	Clutch-Drive	634B	●698779	Spring/Seal Assembly	868	Δ★690968	Seal-Valve
			635	691909	Boot-Spark Plug			
			643	698401	Retainer-Air Filter			
			654	690958	Nut (Carburetor)			
			691	★692407	Seal-Governor Shaft			
			692	690572	Spring-Detent			
			697	690372	Screw (Drive Cap)			

★ Included in Engine Gasket Set-Ref. No.358.

● Included in Carburetor Overhaul Kit-Ref. No. 121 & 121A.

◆ Included in Carburetor Gasket Set-Ref. No. 977.

Δ Included in Valve Gasket Set-Ref. No 1095.

*Illustrations cover a range of engines. Parts shown without corresponding text may not be used on your specific engine.*

X REF. NO.	PART NO.	DESCRIPTION	REF. NO.	PART NO.	DESCRIPTION	REF. NO.	PART NO.	DESCRIPTION
877	393456	Wire/Connector–Alternator (Dual Circuit) Used on Type No(s). 0188, 0196, 0198, 0231, 0239, 0242, 0334, 0382.	943	★690589	Seal–O Ring (Oil Pump Cover) Used on Type No(s). 0242, 0257.	1036	790464	Label–Emission (Used After Code Date 04063000). <b>Note</b> ———
877A	393814	Wire/Connector–Alternator (DC Only) Used on Type No(s). 0110.	947	694393	Solenoid–Fuel		695700	Label–Emission (Used Before Code Date 04070100).
877B	393537	Wire/Connector–Alternator (Tri Circuit) Used on Type No(s). 0105, 0111, 0113, 0115, 0116, 0117, 0119, 0120, 0199, 0257, 0262.	947A	695423	Solenoid–Fuel	1040	698368	Plate–Trim
878	691237	Harness–Alternator Used on Type No(s). 0188, 0196, 0198, 0231, 0239, 0242, 0334, 0382.	950	695407	Screw–Float Bowl (Bottom Of Bowl)	1044	691658	Screw (Flywheel)
878A	691955	Harness–Alternator Used on Type No(s). 0105, 0111, 0113, 0115, 0116, 0117, 0119, 0120, 0199, 0257, 0262.	958	698183	Valve–Fuel Shut Off (Plastic)	1051	691265	Ring–Retaining
883	★692236	Gasket–Exhaust	965	499613	Cover–Oil Pump Used on Type No(s). 0242, 0257.	1054	280275	Tie–Cable
914	691108	Screw (Rocker Cover)	967	697015	Filter–Pre Cleaner	1058	275935	Owner’s Manual
918	697091	Hose–Vacuum (Formed) Used on Type No(s). 0110, 0257)	968	698403	Cover–Air Cleaner	1059	698516	Kit–Screw/Washer
			975	495933	Bowl–Float	1070	690372	Screw (Flywheel Fan)
			975A	699502	Bowl–Float	1090	691293	Retainer–Brush
			977	690192	Gasket Set–Carburetor	1091	691333	Cap–Limiter
			987	●691326	Seal–Throttle Shaft	1095	691581	Gasket Set–Valve
			987A	●698777	Seal–Throttle Shaft	1119	691183	Screw (Alternator)
			1005	699043	Fan–Flywheel	1127	695407	Screw (Float Bowl)
			1017	690770	Screen–Oil Pump	1263	697124	Reed–Breather
			1019	699196	Kit–Label	1264	697104	Screw (Breather Reed)
			1022	Δ★272475	Gasket–Rocker Cover	1266	★●691917	Seal–O Ring (Intake Elbow)
			1023	692492	Cover–Rocker	1266A	●697123	Seal–O Ring (Intake Elbow)
			1024	499054	Pump–Oil Used on Type No(s). 0242, 0257.	1267	697575	Latch–Blower Housing (Black)
			1026	692003	Rod–Push (Intake) <b>Note</b> ———			<b>Note</b> ———
					692011 Rod–Push (Exhaust)			697419 Latch–Blower Housing (Black)
			1027	492932	Filter–Oil Used on Type No(s). 0242, 0257.			Used on Type No(s). 0119.
			1029	691751	Arm–Rocker	1270	697156	Plug–AVS Counterweight
			1032	491710	Ball–Oil Pump	1330	272147	Repair Manual
			1034	690822	Guide–Push Rod			
			1035	693784	Shaft–Pump Used on Type No(s). 0242, 0257.			

★ Included in Engine Gasket Set–Ref. No.358.

● Included in Carburetor Overhaul Kit–Ref. No. 121 & 121A.

◆ Included in Carburetor Gasket Set–Ref. No. 977.

Δ Included in Valve Gasket Set–Ref. No 1095.

**Illustrations cover a range of engines. Parts shown without corresponding text may not be used on your specific engine.**