

285700 to 285799

Illustrated Parts List

Model Series

285700 to 285799

TYPE NUMBERS
0101, 0113, 0114,
0143, 0604, 0613.

TO FIND
THE CORRECT NUMBER OF THE PART YOU NEED:
FOLLOW THE INSTRUCTIONS BELOW

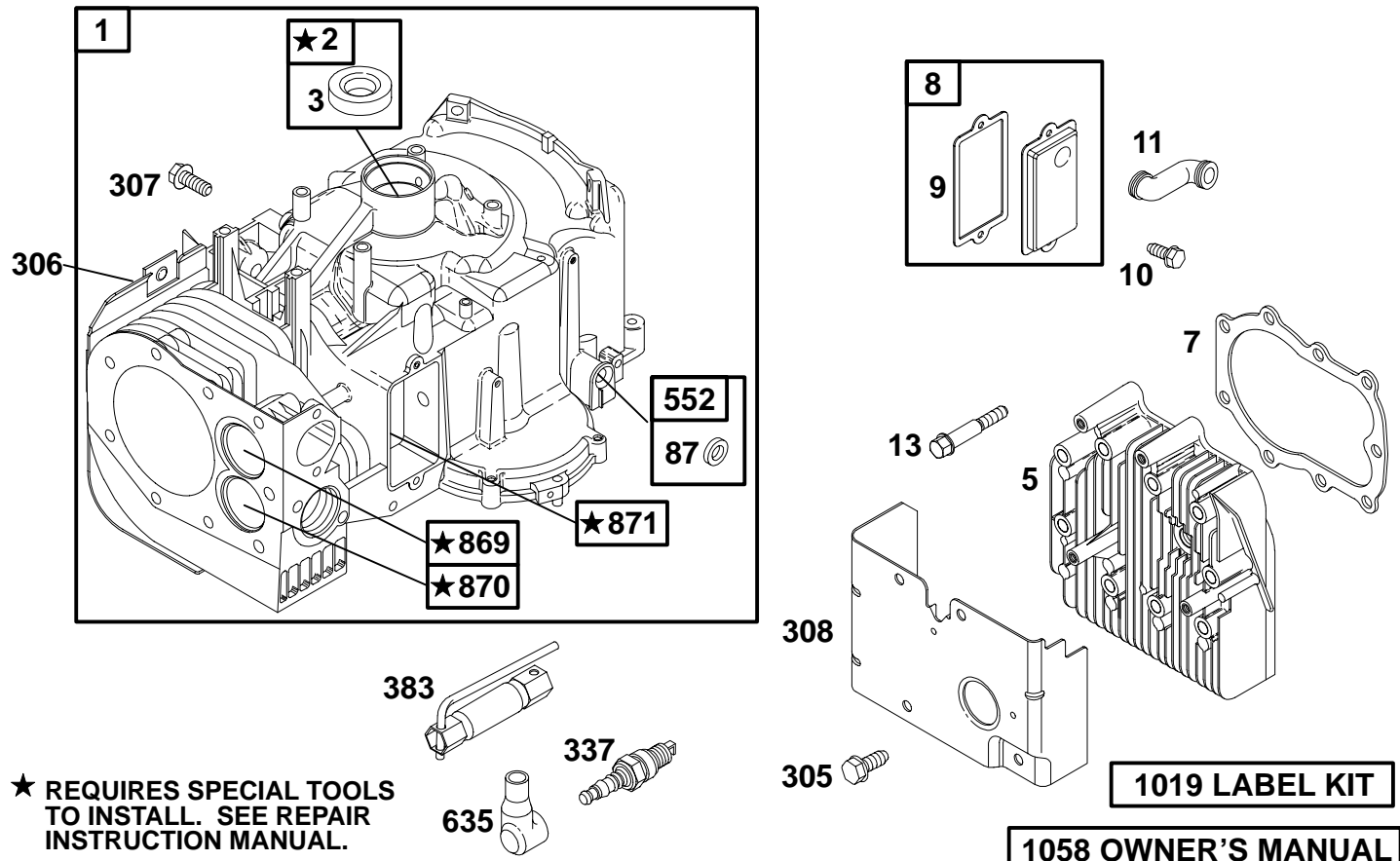
- A. Refer to Engine Model, Type and Code Number that is stamped on the blower housing of engine. Engine type numbers such as 0123 01 are listed only as 0123 in most instances. The two digits (01 or 02, etc.) to the right of the space may be required for more accurate parts identification in some instances. Select the Illustrated Parts List covering the correct Model Series and Type Number.
- B. Refer to the Illustrations and compare the original part with Illustration. The number next to the illustration is the Reference Number. Assemblies include all parts shown in frames. All parts shown in assembly frames having individual reference numbers can be purchased separately.
- C. After the Reference Number has been identified, refer to the Numerical text, where Reference and Primary Part Number are listed. **THE PRIMARY PART IS USED ON ALL TYPE NUMBERS EXCEPT THOSE TYPE NUMBERS UNDER "NOTE."**
- D. If a "Note" appears below the Primary Part Number, it means that this part differs from the Primary Part for certain types. If your Type number is listed under "Note," order the part referred to at the "Note."
- E. If your Engine Type Number does not appear after any part number listed under "Note," use the Primary Part Number.
- F. For Engine Type Numbers not covered by this book, check other Parts Lists having the same engine model or contact your source of supply.

PRINTED IN U.S.A.



COPYRIGHT by BRIGGS & STRATTON CORPORATION
All rights reserved. No part of this material may be reproduced or transmitted, in any form or by any means, electronic or mechanical, including photocopying, recording or by any information storage and retrieval system, without permission in writing from Briggs & Stratton Corporation.

285700 to 285799

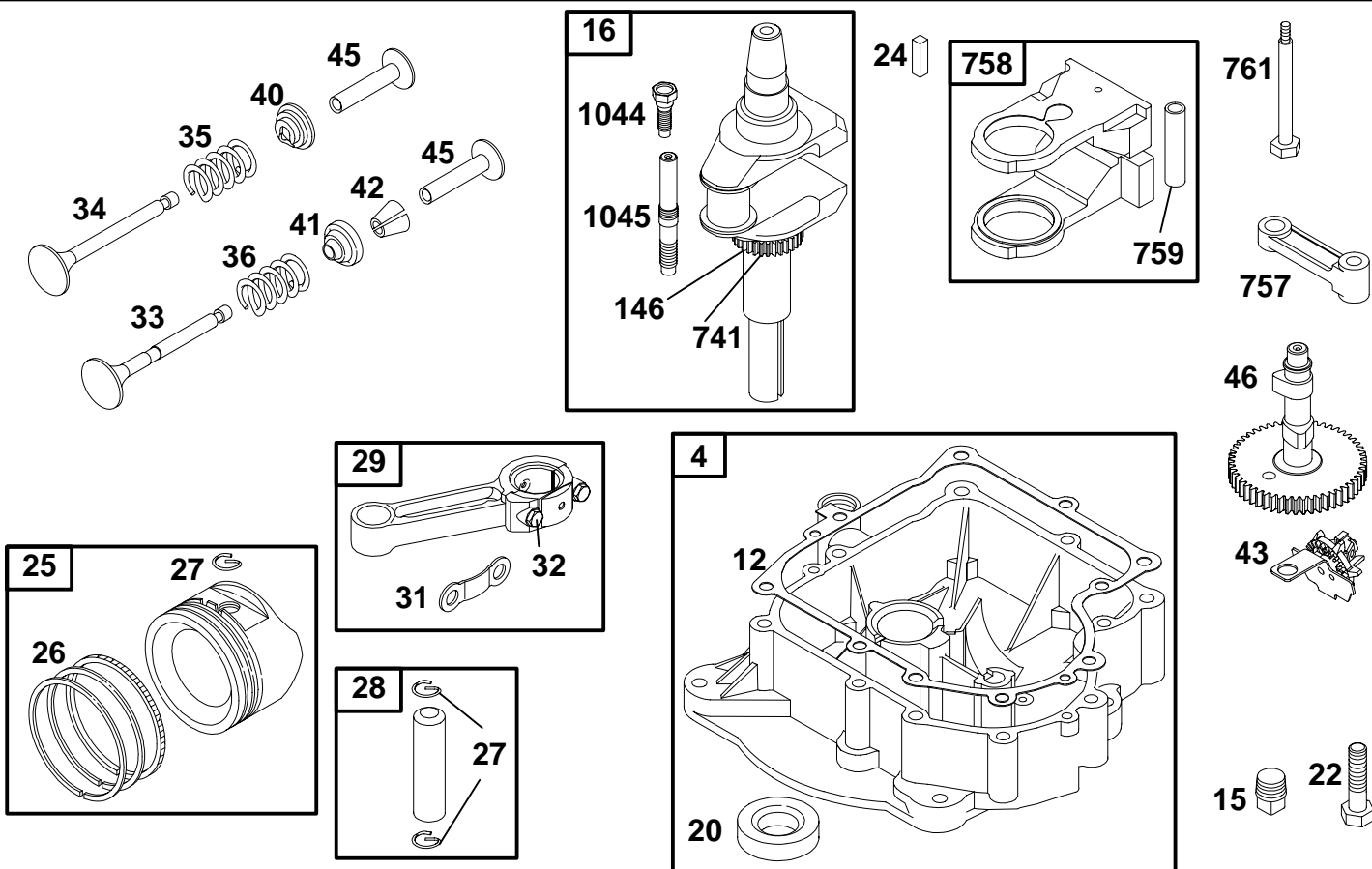


★ REQUIRES SPECIAL TOOLS TO INSTALL. SEE REPAIR INSTRUCTION MANUAL.

| REF. NO. | PART NO. | DESCRIPTION | REF. NO. | PART NO. | DESCRIPTION | REF. NO. | PART NO. | DESCRIPTION |
|----------|----------|----------------------|----------|----------|------------------------|----------|----------|---------------------------------|
| 1 | 496414 | Cylinder Assembly | 306 | 224545 | Shield-Cylinder | 871 | 261961 | Bushing-Guide (Exhaust Valve) |
| 2 | 399265 | Bushing | 307 | 94386 | Screw-Hex. | | | Note |
| 3 | ★391086 | Seal-Oil | 308 | 491490 | Cover-Cylinder | | | 231218 Bushing-Guide |
| 5 | 494240 | Head-Cylinder | 337 | 802592 | Plug-Spark | | | (Intake Valve) |
| 7 | ★Ø271866 | Gasket-Cylinder Head | 383 | 89838 | Wrench-Spark Plug | | | (Brass) |
| 8 | 495735 | Breather Assembly | 552 | 491986 | Bushing-Governor Crank | 1019 | 491252 | Label Kit |
| 9 | ★Ø27803 | Gasket-Breather | 635 | 66538 | Boot-Spark Plug | 1058 | 272697 | Owner's Manual |
| 10 | 94621 | Screw-Hex. | 869 | 261463 | Seat-Valve (Intake) | | | Note |
| 11 | 280100 | Tube-Breather | 870 | 262924 | Seat-Valve (Exhaust) | | | 273131 Owner's Manual |
| 13 | 94622 | Screw-Hex. | | | | | | Used on Type No(s). 0604, 0613. |
| 87 | ★491323 | Seal-Governor Shaft | | | | | | |
| 305 | 94786 | Screw-Hex. | | | | | | |

★ Included in Gasket Set-Part Number 494241.
 ● Included in Carburetor Kit-See Ref. 121.

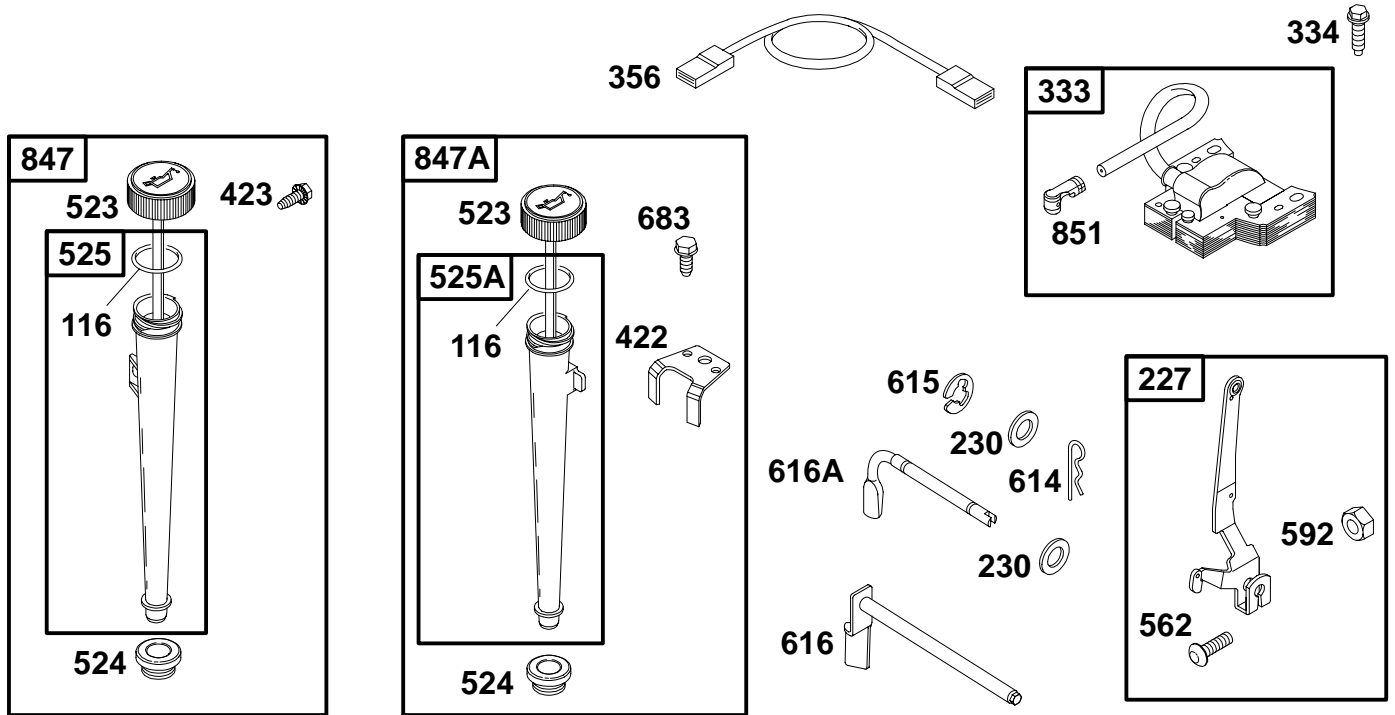
◆ Included in Carburetor Gasket Set-Part No. 494385.
 Ø Included in Valve Overhaul Gasket Set-Part No. 498539.



| REF. NO. | PART NO. | DESCRIPTION | REF. NO. | PART NO. | DESCRIPTION | REF. NO. | PART NO. | DESCRIPTION |
|----------|----------|--|----------|----------|------------------------------------|----------|----------|----------------------|
| 4 | 494238 | Sump-Engine | 26 | 391780 | Ring Set (Standard) | 31 | 222299 | Lock-Rod Screw |
| 12 | ★271916 | Gasket-Crankcase (.015" Thick) | | | Note | 32 | 94671 | Screw-Connecting Rod |
| | | Note | | | 392331 Ring Set (Chrome Standard) | 33 | 262246 | Valve-Exhaust |
| | | ★271997 Gasket-Crankcase (.005" Thick) | | | 391781 Ring Set (.010" O.S.) | 34 | 262247 | Valve-Intake |
| | | ★271996 Gasket-Crankcase (.009" Thick) | | | 391782 Ring Set (.020" O.S.) | 35 | 65906 | Spring-Valve |
| 15 | 94239 | Plug-Oil Drain | | | 391783 Ring Set (.030" O.S.) | 36 | 26828 | Spring-Valve |
| 16 | 495162 | Crankshaft | 27 | 260924 | Lock-Piston Pin | 40 | 221596 | Retainer-Valve |
| 20 | ★291675 | Seal-Oil | 28 | 299691 | Pin-Piston (Standard) | 41 | 292260 | Retainer-Valve |
| 22 | 94624 | Screw-Hex. | | | Note | 42 | 494553 | Keeper-Valve |
| 24 | 222698 | Key-Flywheel | | | 391286 Pin-Piston (.050" O.S.) | 43 | 490815 | Governor/Oil Slinger |
| 25 | 391285 | Piston Assembly (Standard) | 29 | 490348 | Rod-Connecting (Standard) | 45 | 262248 | Tappet-Valve |
| | | Note | | | Note | 46 | 212897 | Gear-Cam |
| | | 391287 Piston Assy. (.010" O.S.) | | | 391288 Pin-Piston (.050" O.S.) | 146 | 94196 | Key-Timing |
| | | 391288 Piston Assy. (.020" O.S.) | | | 490469 Rod-Conn. (.020" Undersize) | 741 | 262932 | Gear-Timing |
| | | 391289 Piston Assy. (.030" O.S.) | | | | 757 | 213998 | Link-Counterweight |
| | | | | | | 758 | 399891 | Counterweight |
| | | | | | | 759 | 230787 | Pin-Counterweight |
| | | | | | | 761 | 94593 | Screw-Hex. |
| | | | | | | 1044 | 94673 | Screw-Shoulder |
| | | | | | | 1045 | 231828 | Adapter-Crankshaft |

★ Included in Gasket Set-Part Number 494241.
 ● Included in Carburetor Kit-See Ref. 121.

◆ Included in Carburetor Gasket Set-Part No. 494385.
 ⦿ Included in Valve Overhaul Gasket Set-Part No. 498539.

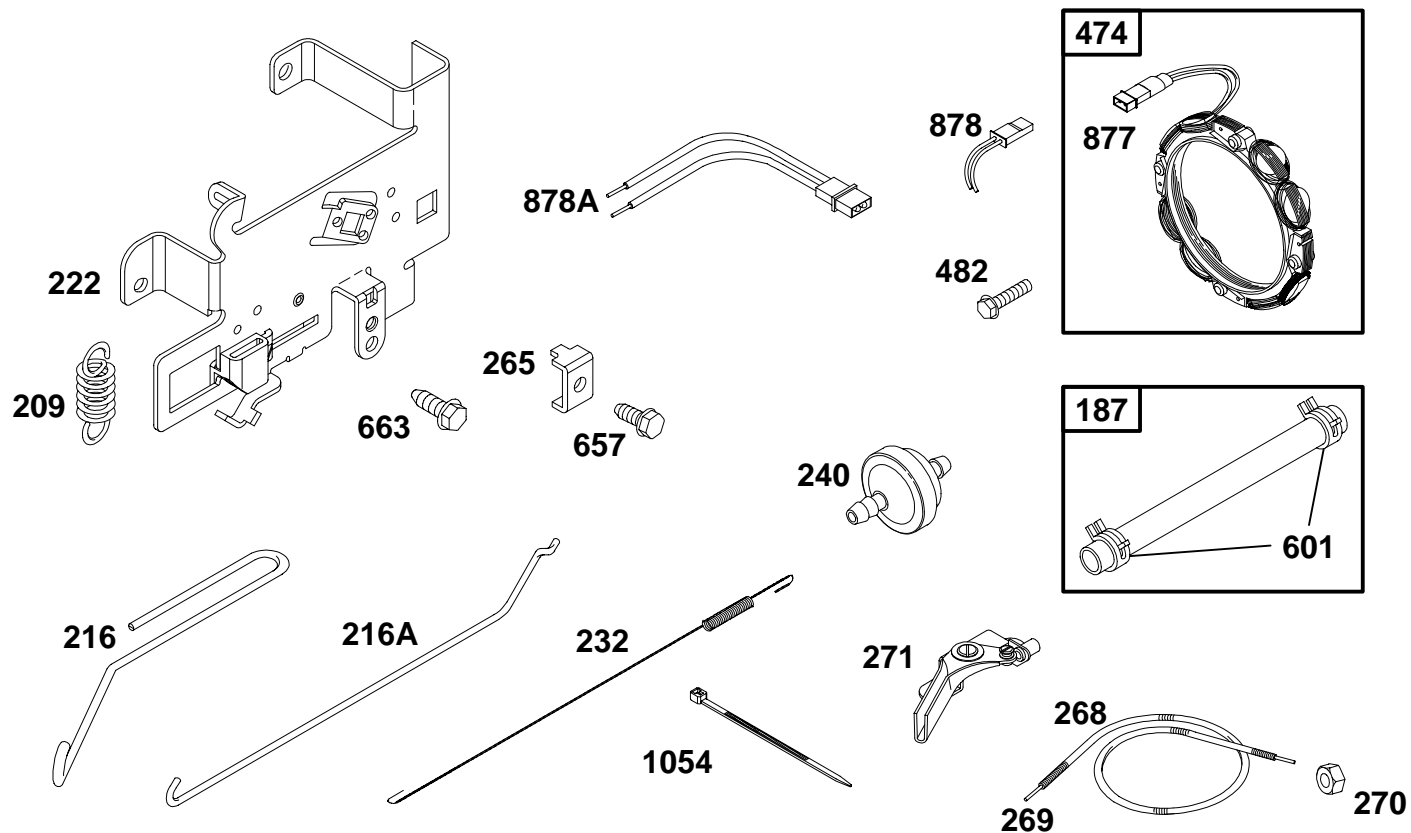


| REF. NO. | PART NO. | DESCRIPTION | REF. NO. | PART NO. | DESCRIPTION | REF. NO. | PART NO. | DESCRIPTION |
|----------|----------|------------------|----------|----------|---------------------|----------|----------|------------------------|
| 116 | ★270920 | Seal-O-Ring | 523 | 495230 | Dipstick | 616 | 495157 | Crank-Governor |
| 227 | 493935 | Lever-Governor | 524 | ★281370 | Seal-Fill Tube | 616A | 231058 | Crank-Governor |
| 230 | 94742 | Washer | 525 | 496113 | Tube-Oil Fill | 683 | 94602 | Screw-Hex. |
| 333 | 492341 | Armature-Magneto | 525A | 495768 | Tube-Oil Fill | 847 | 496415 | Dipstick/Tube Assembly |
| 334 | 94731 | Screw-Hex. | 562 | 92613 | Bolt-Governor Lever | 847A | 490474 | Dipstick/Tube Assembly |
| 356 | 494328 | Wire-Stop | 592 | 231082 | Nut-Hex. | 851 | 493880 | Terminal-Cable |
| 422 | 224390 | Bracket-Oil Fill | 614 | 93306 | Pin-Cotter | | | |
| 423 | 94073 | Screw-Shoulder | 615 | 93307 | Retainer | | | |

★ Included in Gasket Set-Part Number 494241.
 ● Included in Carburetor Kit-See Ref. 121.

◆ Included in Carburetor Gasket Set-Part No. 494385.
 ∅ Included in Valve Overhaul Gasket Set-Part No. 498539.

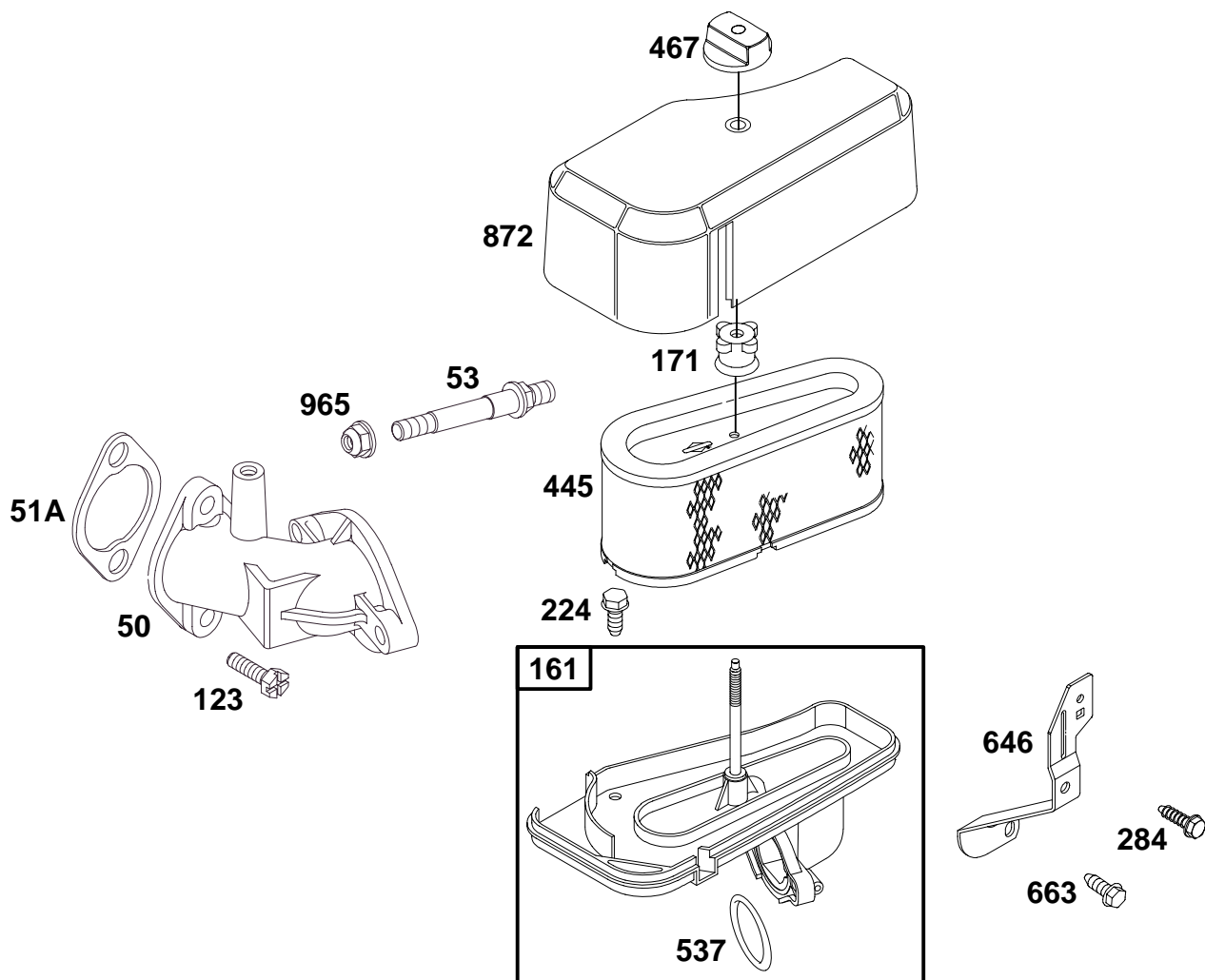
285700 to 285799



| REF. NO. | PART NO. | DESCRIPTION | REF. NO. | PART NO. | DESCRIPTION | REF. NO. | PART NO. | DESCRIPTION |
|----------|----------|--|----------|----------|--|----------|----------|--------------------|
| 187 | 299146 | Line-Fuel (Cut to Required Length) | 240 | 298090 | Filter-Fuel Note _____ 394358 Filter-Fuel Used on Type No(s). 0143. | 270 | 63426 | Locknut-Casing |
| 209 | 260871 | Spring-Governor Note _____ 261306 Spring-Governor Used on Type No(s). 0113, 0613. | 265 | 221535 | Clamp-Casing | 271 | 290568 | Lever-Control |
| 216 | 262766 | Link-Choke | 268 | 65616 | Casing-Wire (72" Long) | 474 | 393474 | Alternator |
| 216A | 262767 | Link-Choke | 269 | 26633 | Wire-Control (78" Long) | 482 | 93621 | Screw-Hex. |
| 222 | 495611 | Bracket-Control | | | | 601 | 93053 | Clamp-Hose |
| 232 | 262785 | Spring-Link | | | | 657 | 93496 | Screw-Slotted Hex. |
| | | | | | | 663 | 94620 | Screw-Hex. |
| | | | | | | 877 | 393456 | Wire-Alternator |
| | | | | | | 878 | 393362 | Harness-Alternator |
| | | | | | | 878A | 399916 | Harness-Alternator |
| | | | | | | 1054 | 280275 | Tie-Cable |

★ Included in Gasket Set-Part Number 494241.
● Included in Carburetor Kit-See Ref. 121.

◆ Included in Carburetor Gasket Set-Part No. 494385.
⊗ Included in Valve Overhaul Gasket Set-Part No. 498539.

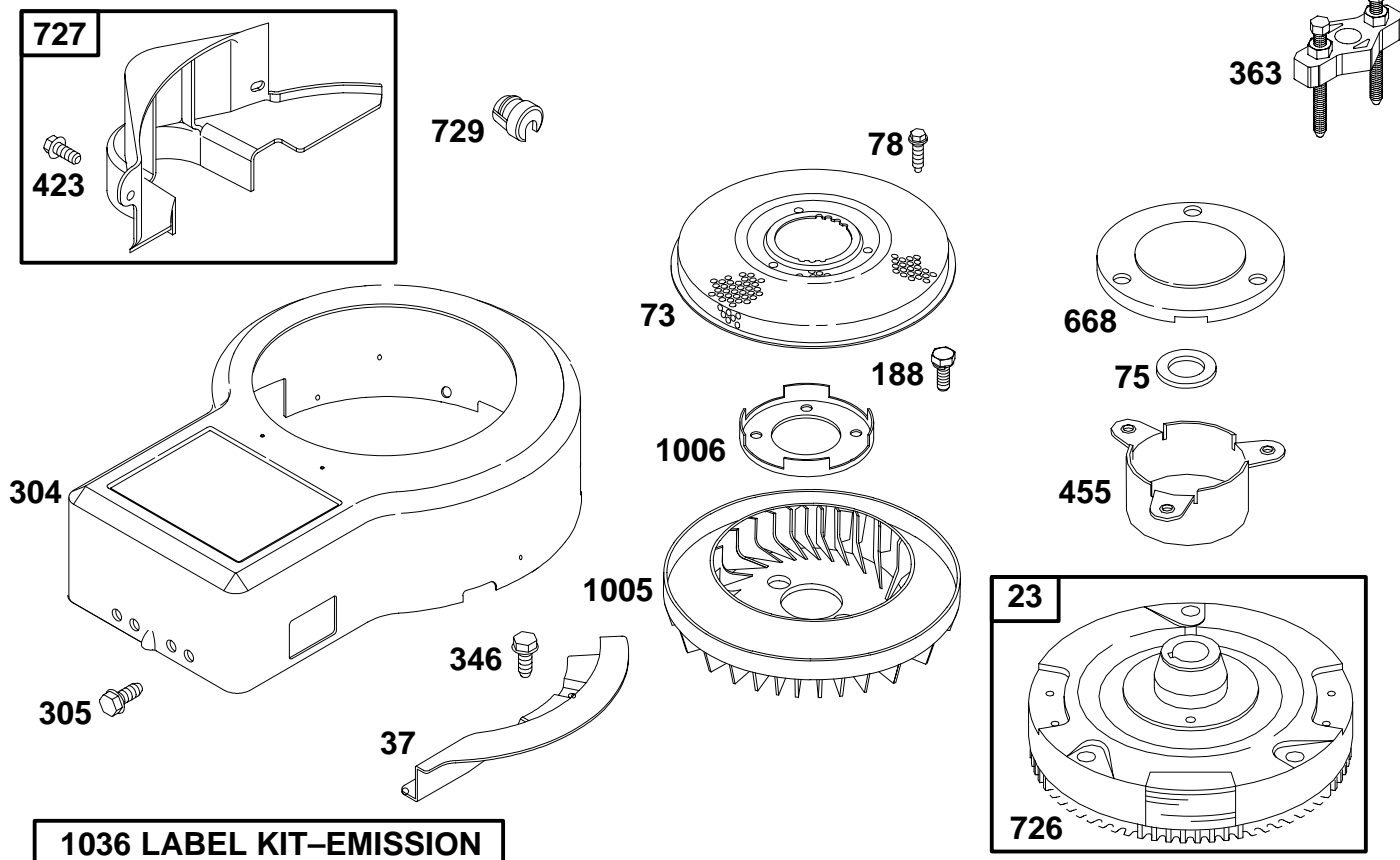


| REF. NO. | PART NO. | DESCRIPTION | REF. NO. | PART NO. | DESCRIPTION | REF. NO. | PART NO. | DESCRIPTION |
|----------|----------|--------------------------|----------|----------|-----------------|----------|----------|--------------------|
| 50 | 213819 | Manifold-Intake | 171 | 281051 | Nut | 537 | ★Ø281106 | Gasket-Air Cleaner |
| 51A | ★Ø272554 | Gasket-Intake | 224 | 94513 | Screw-Hex. | 646 | 224546 | Brace |
| 53 | 94637 | Stud-Carburetor Mounting | 284 | 94704 | Screw-Hex. | 663 | 94620 | Screw-Hex. |
| 123 | 94616 | Screw-Torx®Hex. | 445 | 496894 | Filter-Air | 872 | 281104 | Cover-Air Cleaner |
| 161 | 494237 | Base-Air Cleaner | 467 | 493903 | Nut-Air Cleaner | 965 | 94010 | Nut-Hex. |

★ Included in Gasket Set-Part Number 494241.
 ● Included in Carburetor Kit-See Ref. 121.

◆ Included in Carburetor Gasket Set-Part No. 494385.
 ○ Included in Valve Overhaul Gasket Set-Part No. 498539.

285700 to 285799

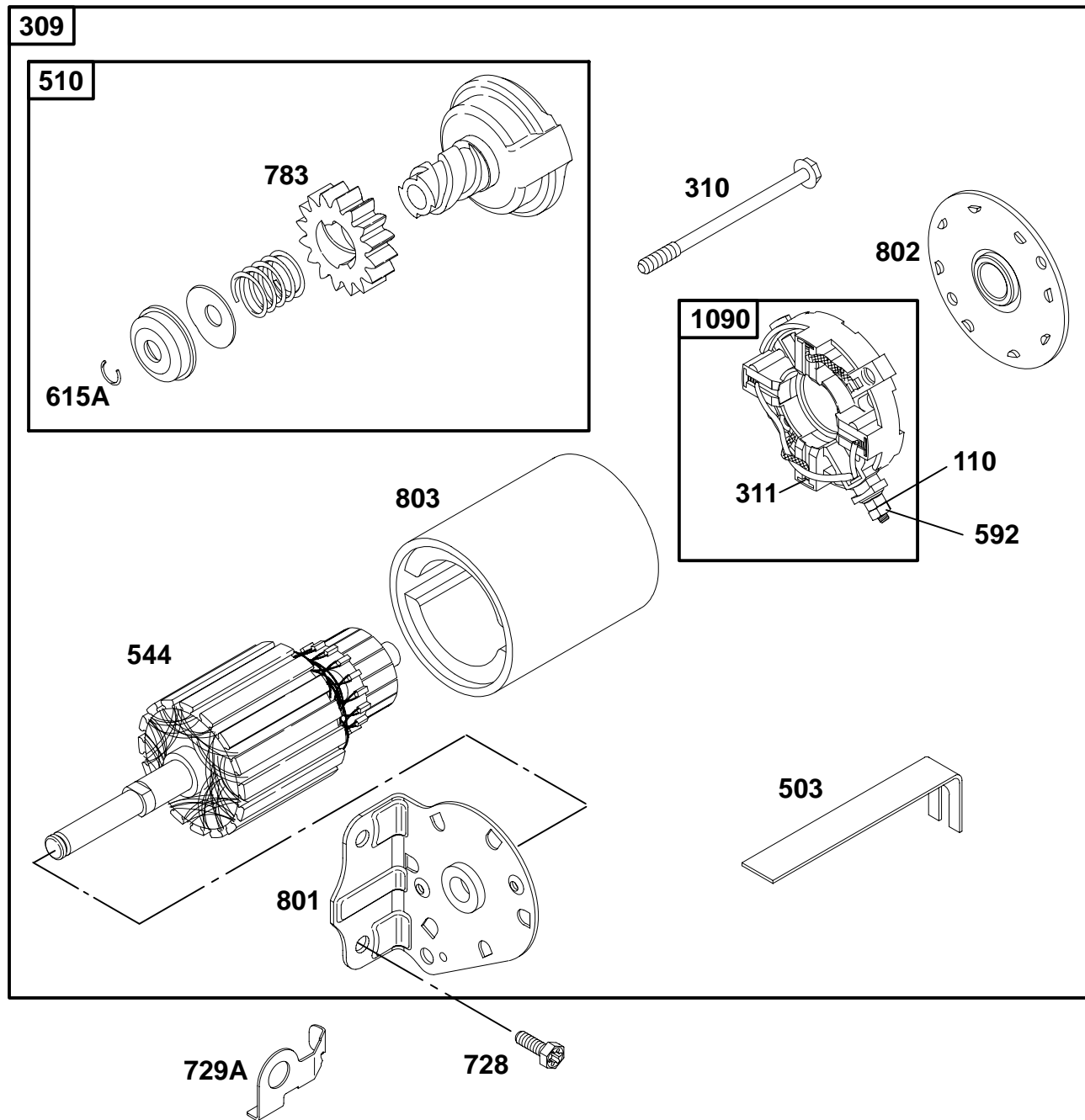


1036 LABEL KIT-EMISSION

| REF. NO. | PART NO. | DESCRIPTION | REF. NO. | PART NO. | DESCRIPTION | REF. NO. | PART NO. | DESCRIPTION |
|----------|----------|---|----------|----------|--|----------|----------|------------------------------------|
| 23 | 492326 | Flywheel | 305 | 94786 | Screw-Hex. | 727 | 490324 | Cover-Starter Drive |
| 37 | 224502 | Guard-Flywheel | 346 | 93705 | Screw-Hex. | 729 | 281159 | Clip-Wire |
| 73 | 224517 | Screen-Rotating | 363 | 19203 | Flywheel Puller | 1005 | 280687 | Fan-Flywheel |
| 75 | 224061 | Washer-Flywheel | 423 | 94073 | Screw-Shoulder | 1006 | 224413 | Retainer-Fan |
| 78 | 94626 | Screw-Phillips | 455 | 222561 | Cup-Flywheel | 1036 | 499361 | Label Kit-Emission |
| 188 | 94627 | Screw-Hex. | 668 | 280848 | Spacer | | | Used on Type No(s). 0604, 0613. |
| 304 | 496319 | Housing-Blower | 726 | 392134 | Gear-Ring (Includes Mounting Hardware) | | | |
| | | Note | | | | | | |
| | | 494269 Housing-Blower (Used Before Code Date 93091300). | | | | | | |

★ Included in Gasket Set-Part Number 494241.
● Included in Carburetor Kit-See Ref. 121.

◆ Included in Carburetor Gasket Set-Part No. 494385.
⊘ Included in Valve Overhaul Gasket Set-Part No. 498539.

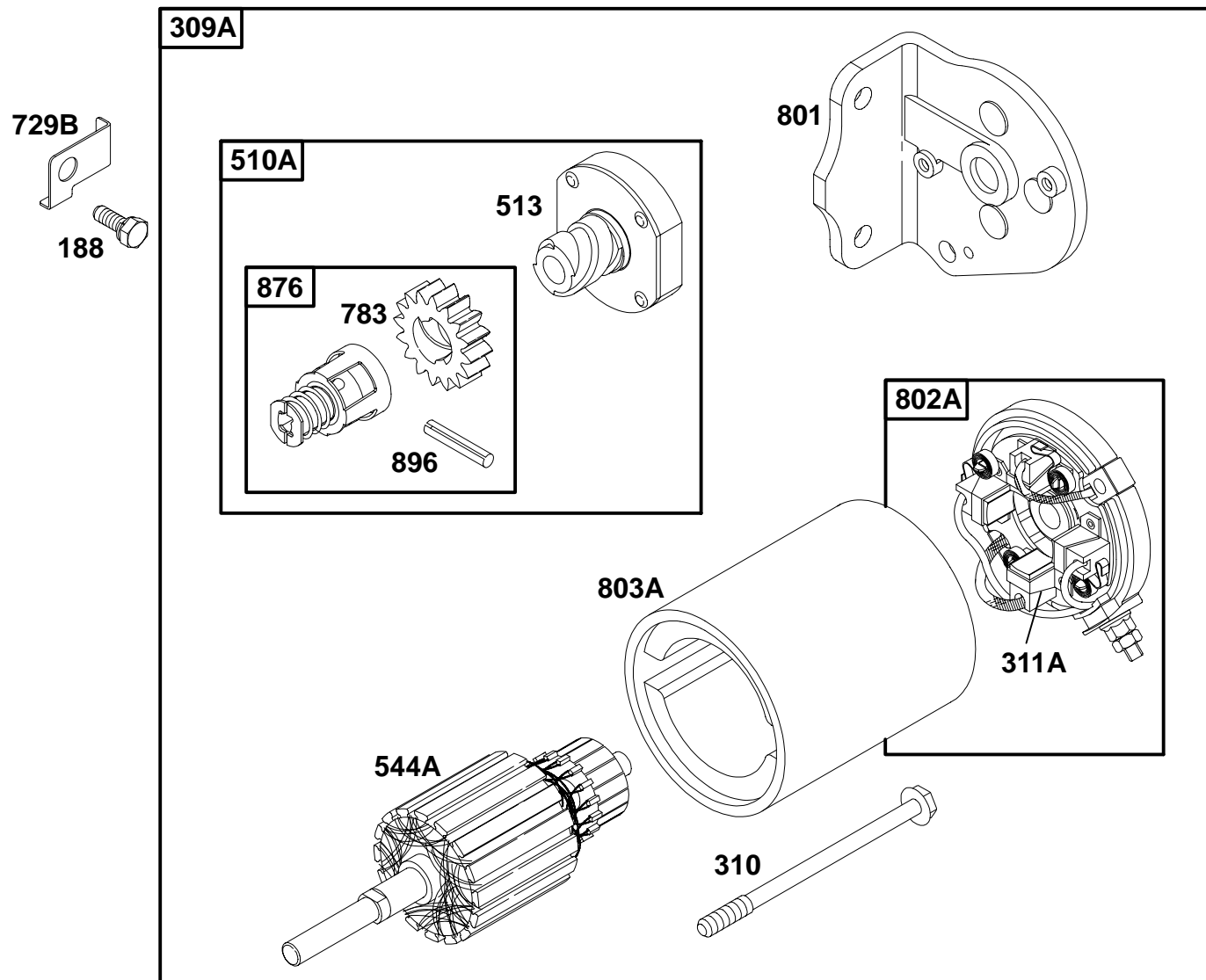


| REF. NO. | PART NO. | DESCRIPTION | REF. NO. | PART NO. | DESCRIPTION | REF. NO. | PART NO. | DESCRIPTION |
|----------|----------|---------------|----------|----------|------------------|----------|----------|-----------------|
| 110 | 225137 | Washer-Flat | 544 | 497603 | Armature-Starter | 783 | 280104 | Gear-Starter |
| 309 | 497595 | Motor-Starter | 592 | 92278 | Nut-Hex. | 801 | 497626 | Cap-Drive |
| 310 | 94003 | Screw-Hex. | 615A | 263080 | Ring-Retainer | 802 | 497607 | Cap-End |
| 311 | 497608 | Brush Set | 728 | 94473 | Screw-Torx®Hex | 803 | 497604 | Housing-Starter |
| 503 | 806000 | Strap-Starter | 729A | 225170 | Clip-Wire | 1090 | 497605 | Retainer-Brush |
| 510 | 497606 | Drive-Starter | | | | | | |

★ Included in Gasket Set-Part Number 494241.
 ● Included in Carburetor Kit-See Ref. 121.

◆ Included in Carburetor Gasket Set-Part No. 494385.
 ⊗ Included in Valve Overhaul Gasket Set-Part No. 498539.

285700 to 285799



| REF. NO. | PART NO. | DESCRIPTION | REF. NO. | PART NO. | DESCRIPTION | REF. NO. | PART NO. | DESCRIPTION |
|----------|----------|---|----------|----------|------------------|----------|----------|--------------------|
| 188 | 94627 | Screw-Hex. | 510A | 495878 | Drive-Starter | 801 | 394856 | Cap-Drive |
| 309A | 394805 | Motor-Starter (12V with 3 5/8" Housing Length). | 513 | 398003 | Clutch-Drive | 802A | 395537 | Cap-End |
| 310 | 94003 | Screw-Hex. | 544A | 390837 | Armature-Starter | 803A | 398159 | Housing-Starter |
| 311A | 395538 | Brush Set | 729B | 224723 | Clip-Wire | 876 | 495877 | Kit-Gear |
| | | | 783 | 280104 | Gear-Starter | 896 | 94288 | Pin-Drive Retainer |

★ Included in Gasket Set-Part Number 494241.

● Included in Carburetor Kit-See Ref. 121.

◆ Included in Carburetor Gasket Set-Part No. 494385.

⊘ Included in Valve Overhaul Gasket Set-Part No. 498539.

