

285H00

Illustrated Parts List

Model Series

285H00

TYPE NUMBERS
0026 Through 0397.

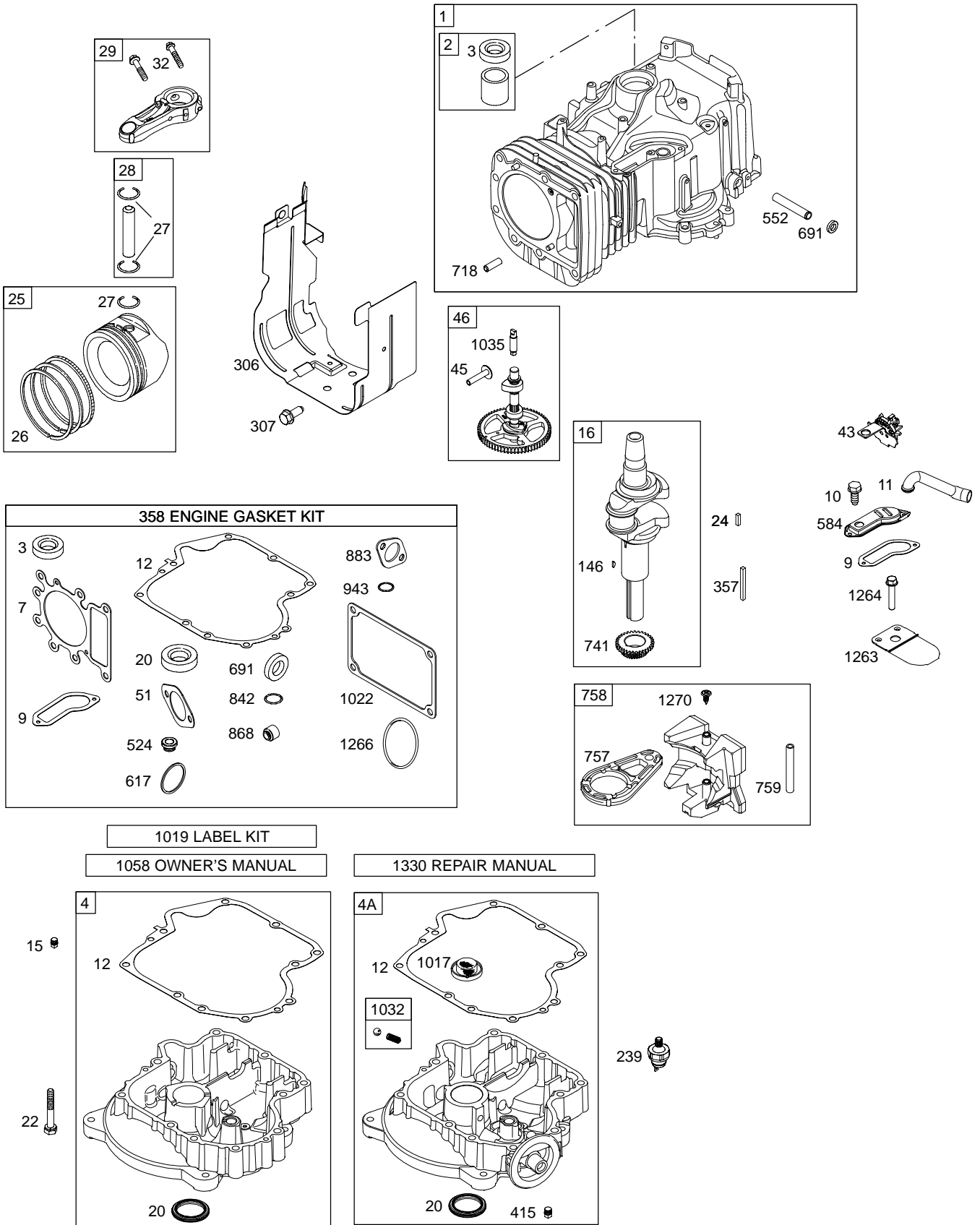
TABLE OF CONTENTS

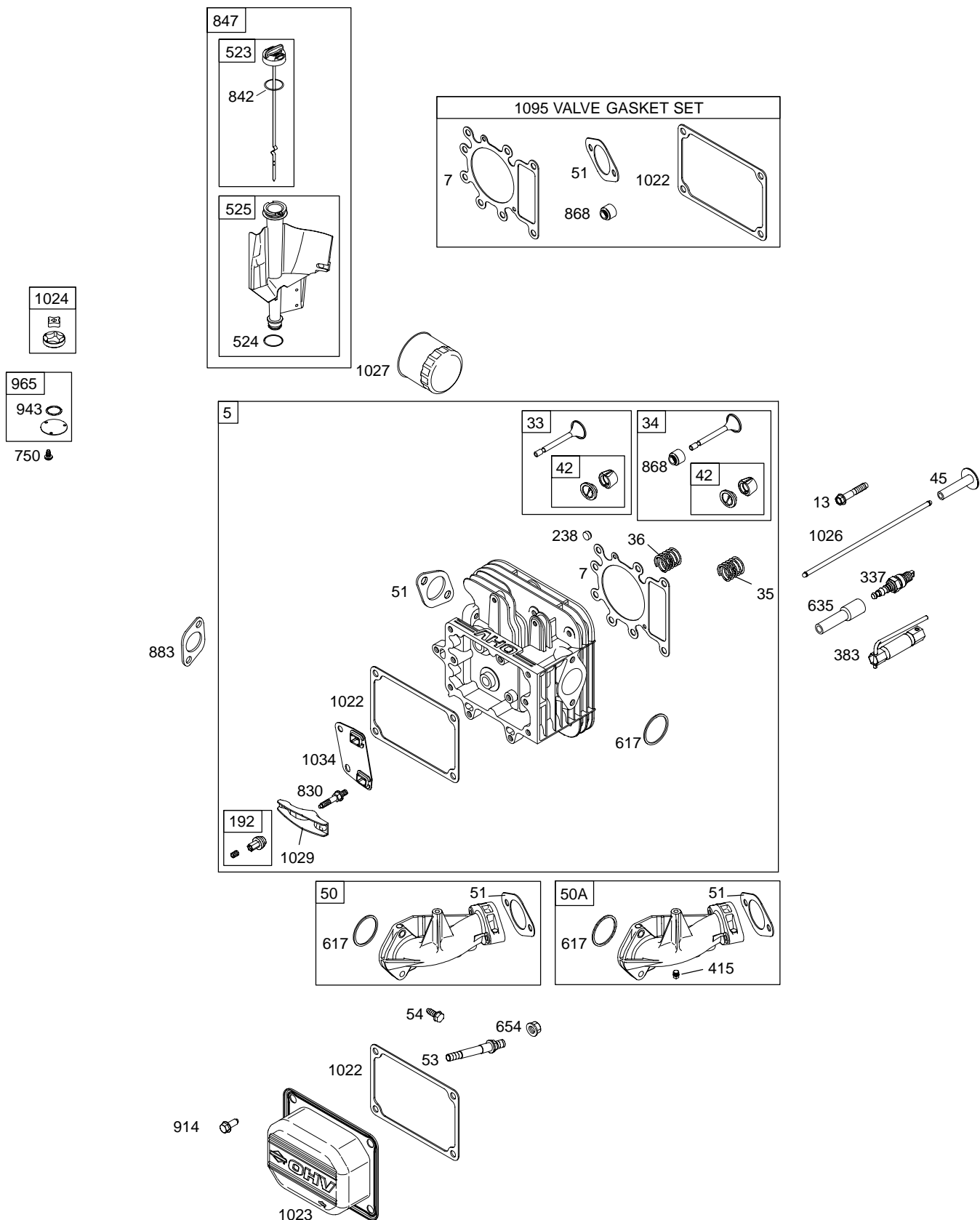
Air Cleaner	5
Alternator	7
Blower Housing	5
Camshaft	2
Carburetor	4
Controls	7
Crankshaft	2
Cylinder	2
Cylinder Head	3
Electric Starter	7
Engine Sump	2
Flywheel	6
Gasket Set – Engine	2
Gasket Set – Valve	3
Governor Spring	7
Ignition	7
Kit – Carburetor Overhaul	4
Lubrication	3
Piston, Rings, Connecting Rod	2
Valves	3



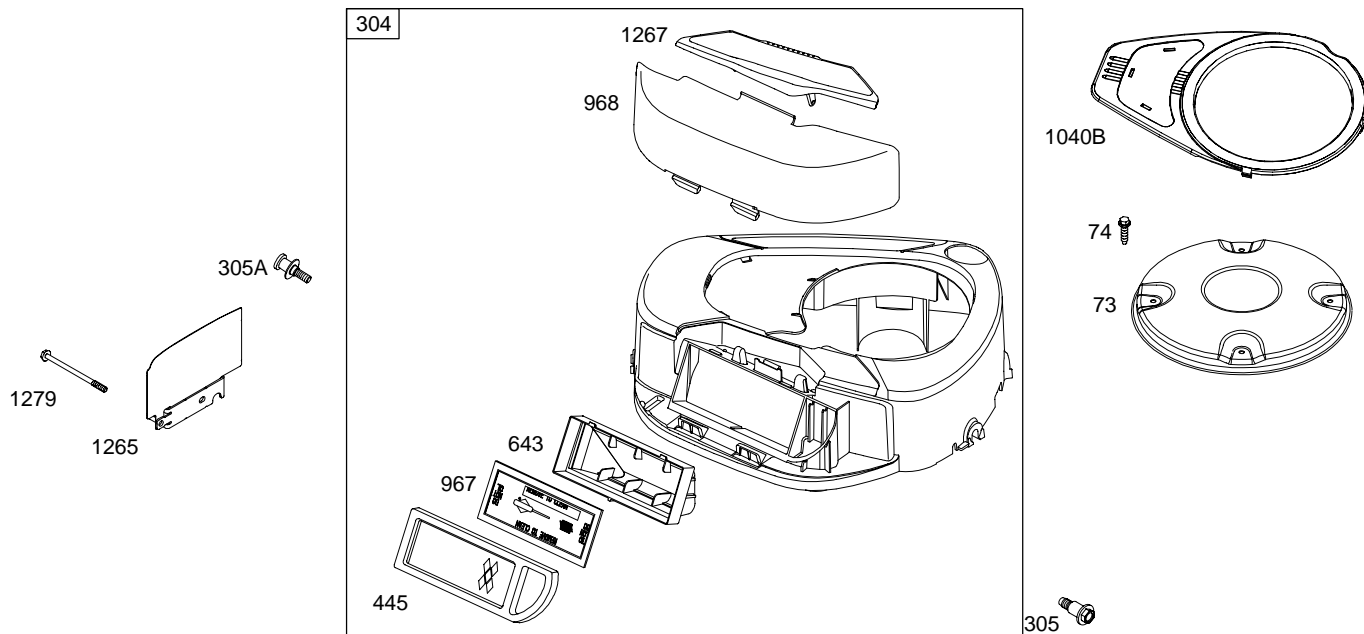
PRINTED IN U.S.A.

COPYRIGHT by BRIGGS & STRATTON CORPORATION
All rights reserved. No part of this material may be reproduced or transmitted, in any form or by any means, electronic or mechanical, including photocopying, recording or by any information storage and retrieval system, without permission in writing from Briggs & Stratton Corporation.

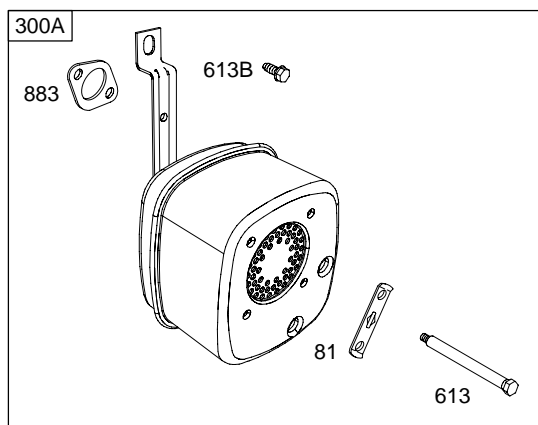
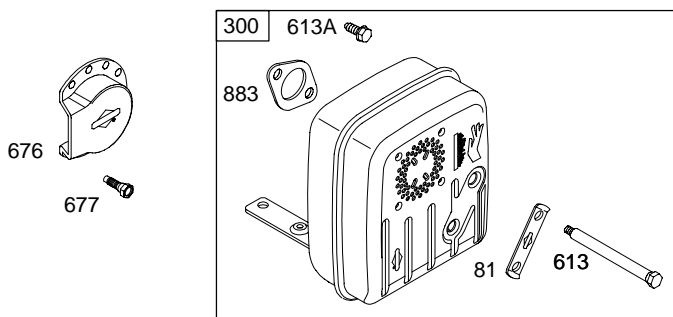


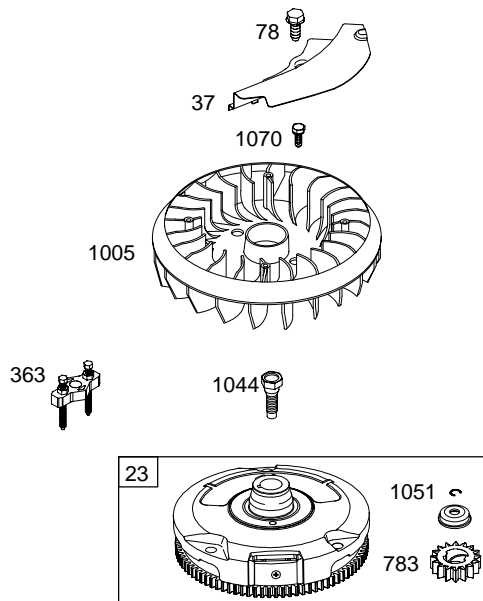






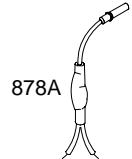
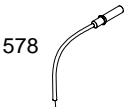
Illustrations cover a range of engines. Parts shown without corresponding text may not be used on your specific engine.
 5105-3 Assemblies include all parts shown in frames. 10/25/2004

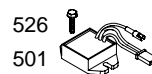



1036 EMISSION LABEL



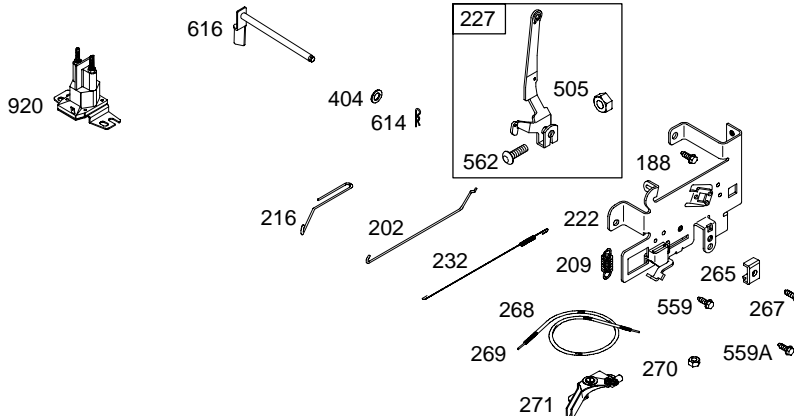
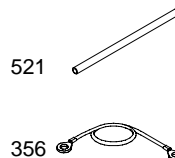
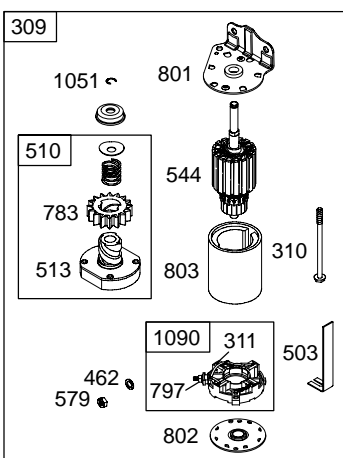
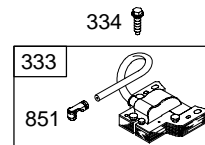
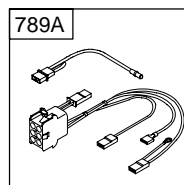
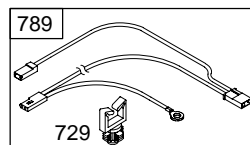


DUAL CIRCUIT		TRI CIRCUIT		10 AMP	
474A	1059	474B	1059	474C	1059
					
					



NOTE: All stators use a No. 1119 mounting screw. 

NOTE: The proper flywheel part number and/or the alternator magnet size will determine the alternator type or output. See repair instruction manual for additional information.



285H00

REF. NO.	PART NO.	DESCRIPTION	REF. NO.	PART NO.	DESCRIPTION	REF. NO.	PART NO.	DESCRIPTION
1	697132	Cylinder Assembly	24	222698	Key-Flywheel	51★△◆	692137	Gasket-Intake
2	399265	Kit-Bushing/Seal (Magneto Side)	25	698371	Piston Assembly (Standard)	53	690227	Stud (Carburetor)
3	★391086	Seal-Oil (Magneto Side)			———— Note ————	54	691148	Screw (Intake Manifold)
4	697106	Sump-Engine Used on Type No(s). 0026, 0028.			698393 Piston Assembly (.010" Oversize)	73	697133	Screen-Rotating
4A	697188	Sump-Engine			698394 Piston Assembly (.020" Oversize)	74	697897	Screw (Rotating Screen)
5	698148	Head-Cylinder			698395 Piston Assembly (.030" Oversize)	78	691003	Screw (Flywheel Guard)
7	★△273280	Gasket-Cylinder Head			698396 Ring Set (.010" Oversize)	81	691178	Lock-Muffler Screw
9	★697109	Gasket-Breather			698397 Ring Set (.020" Oversize)	93	◆690602	Bushing-Throttle Shaft
10	697157	Screw (Breather Assembly)	26	698375	Ring Set (Standard)	94	498030	Kit-Idle Mixture
11	697113	Tube-Breather			———— Note ————	94A	695425	Kit-Idle Mixture
12	★697110	Gasket-Crankcase (.015" Thick)(Standard)			698396 Ring Set (.010" Oversize)	95	◆691636	Screw (Throttle Valve)
13	690360	Screw (Cylinder Head)			698397 Ring Set (.020" Oversize)	95A	◆690718	Screw (Throttle Valve)
15	690946	Plug-Oil Drain (Square Head)			698398 Ring Set (.030" Oversize)	98	495800	Kit-Idle Speed
		———— Note ————			698398 Ring Set (.030" Oversize)	98A	695408	Kit-Idle Speed
		691680 Plug-Oil Drain (Square Socket)	27	697100	Lock-Piston Pin	104	◆690525	Pin-Float Hinge
16	697127	Crankshaft			———— Note ————	104A	◆694918	Pin-Float Hinge
20	★690947	Seal-Oil (PTO Side)			698469 Lock-Piston Pin	105	◆231855	Valve-Float Needle
22	692125	Screw (Crankcase Cover/Sump)	28	697099	Pin-Piston (Standard)	105A	◆696136	Valve-Float Needle
23	693556	Flywheel Used on Type No(s). 0026, 0028, 0036, 0116, 0122, 0125, 0178, 0395.	29	697126	Rod-Connecting (Standard)	106	◆690577	Seat-Inlet (Gravity Feed)
		———— Note ————			———— Note ————			———— Note ————
		693557 Flywheel Used on Type No(s). 0173, 0180, 0252, 0397.	32	692852	Screw (Connecting Rod)			◆691780 Seat-Inlet (Pump Feed)
		790835 Flywheel Used on Type No(s). 0110, 0120, 0121.	33	695760	Valve-Exhaust	108	690464	Valve-Choke (697204)
		790894 Flywheel Used on Type No(s). 0117, 0124.	34	695761	Valve-Intake	108A	692344	Valve-Choke (696179, 696181, 697202, 697203)
			35	691279	Spring-Valve (Intake)	108B	695419	Valve-Choke
			36	691279	Spring-Valve (Exhaust)	117	◆694352	Jet-Main (Standard)
			37	697108	Guard-Flywheel	117A	◆699457	Jet-Main (Standard)(Standard)
					———— Note ————	118	697228	Jet-Main (High Altitude)
					697352 Guard-Flywheel Used on Type No(s). 0125, 0252.	118A	699458	Jet-Main (High Altitude)
			42	499586	Keeper-Valve	121	697241	Kit-Carburetor Overhaul
			43	691968	Slinger-Governor/Oil	121A	699521	Kit-Carburetor Overhaul (Nikki Carburetor)
			45	690564	Tappet-Valve			
			46	698492	Camshaft			
			50	690193	Manifold-Intake			
			50A	695527	Manifold-Intake Used on Type No(s). 0173.			

★ Included in Engine Gasket Set-Ref. No.358.

● Included in Carburetor Overhaul Kit-Ref. No. 121 or 121A.

◆ Included in Carburetor Gasket Set-Ref. No. 977.

△ Included in Valve Gasket Set-Ref. No 1095.

Illustrations cover a range of engines. Parts shown without corresponding text may not be used on your specific engine.

285H00

REF. NO.	PART NO.	DESCRIPTION	REF. NO.	PART NO.	DESCRIPTION	REF. NO.	PART NO.	DESCRIPTION
125	698445	Carburetor (Gravity Feed)(Use to replace pump and gravity feed carburetors)	192	691986	Adjuster-Rocker Arm	268	691025	Casing-Control Wire (Cut To Required Length)
127	695005	Plug-Welch (5/16" Diameter)	202	691841	Link-Mechanical Governor	269	691026	Wire-Control (Cut To Required Length)
127A	690727	Plug-Welch	209	691795	Spring-Governor Used on Type No(s). 0110, 0120, 0121, 0125, 0178.	270	691027	Nut (Control Wire Casing)
130	691750	Valve-Throttle			Note	271	691028	Lever-Control
130A	699500	Valve-Throttle			260902	276	692255	Washer-Sealing
131	494379	Kit-Throttle Shaft			Spring-Governor Used on Type No(s). 0252.	276A	695410	Washer-Sealing
131A	699501	Kit-Throttle Shaft			690480	300	697349	Muffler Used on Type No(s). 0026, 0028, 0036, 0120, 0122.
133	494381	Float-Carburetor			Spring-Governor Used on Type No(s). 0117, 0124.	300A	698356	Muffler Used on Type No(s). 0116, 0117, 0124.
133A	694914	Float-Carburetor			692208	304	790929	Housing-Blower (Red) Used on Type No(s). 0026, 0028, 0036, 0117, 0121, 0173, 0178, 0180, 0252, 0395, 0397.
135	698780	Tube-Fuel Transfer			Spring-Governor Used on Type No(s). 0026, 0028, 0036, 0116, 0122, 0173, 0180, 0395, 0397.			Note
137	281165	Gasket-Float Bowl	216	691840	Link-Choke			698599
137A	698781	Gasket-Float Bowl	222	694042	Bracket-Control			Housing-Blower (Black) Used on Type No(s). 0110, 0116, 0120, 0122, 0124, 0125.
141	495097	Kit-Choke Shaft (697204)	227	691374	Lever-Governor Control (Standard)	305	697102	Screw (Blower Housing)
141A	495931	Kit-Choke Shaft (696179, 696181, 697202, 697203)	232	691842	Spring-Governor Link	305A	697103	Screw (Blower Housing)
141B	698778	Kit-Choke Shaft	238	691843	Cap-Valve	306	697107	Shield-Cylinder
142	697140	Nozzle-Carburetor (Standard)	240	394358	Filter-Fuel (White, 75 Microns) Used on Type No(s). 0028, 0110, 0117, 0121, 0124, 0173, 0178, 0180, 0252, 0397.	307	691003	Screw (Cylinder Shield)
146	691639	Key-Timing			Filter-Fuel (Includes Paper Element With A 40 Micron Rating) Used on Type No(s). 0026, 0036, 0116, 0120, 0122, 0125, 0395.	309	693551	Motor-Starter
186	692317	Connector-Hose (90 Degree)	240B	691035	Filter-Fuel (Includes Paper Element With A 40 Micron Rating) Used on Type No(s). 0026, 0036, 0116, 0120, 0122, 0125, 0395.	310	690323	Screw (Starter Motor)
186A	698174	Connector-Hose (Straight)			Clamp-Casing	311	497608	Brush Set
187	691050	Line-Fuel (Cut To Required Length)	265	691024	Clamp-Casing	333	492341	Armature-Magneto
187A	697098	Line-Fuel (Formed)(3-1/2 Inches Long)(Cut To Required Length)	267	690804	Screw (Casing Clamp)	334	691061	Screw (Magneto Armature)
		Note			Note			
		698821			695134			
		Line-Fuel (Formed)(4-1/2 Inches Long)(Cut To Required Length)			Screw (Casing Clamp) Used on Type No(s). 0395, 0397.			
187B	698417	Line-Fuel (Formed)(10-1/4 Inches Long)(Cut to Required Length)						
188	691693	Screw (Control Bracket)						

★ Included in Engine Gasket Set-Ref. No.358.

● Included in Carburetor Overhaul Kit-Ref. No. 121 or 121A.

◆ Included in Carburetor Gasket Set-Ref. No. 977.

△ Included in Valve Gasket Set-Ref. No 1095.

Illustrations cover a range of engines. Parts shown without corresponding text may not be used on your specific engine.

5105-9

Assemblies include all parts shown in frames.

10/25/2004

285H00

REF. NO.	PART NO.	DESCRIPTION	REF. NO.	PART NO.	DESCRIPTION	REF. NO.	PART NO.	DESCRIPTION
337	491055	Plug–Spark Used on Type No(s). 0026, 0028, 0036, 0116, 0122, 0173, 0180. ———— Note ———— 691043 Plug–Spark Used on Type No(s). 0110, 0117, 0120, 0121, 0124, 0125, 0178, 0252, 0395, 0397.	501	691188	Regulator Used on Type No(s). 0026, 0036, 0110, 0120, 0121, 0395. ———— Note ———— 691185 Regulator Used on Type No(s). 0028, 0116, 0178.	578	692306	Wire Assembly (Alternator to Regulator)
356	697089	Wire–Stop	503	691532	Strap–Starter	579	691029	Nut (Starter Cable)
357	691483	Key–Drive Pulley Used on Type No(s). 0125.	505	691251	Nut (Governor Control Lever)	584	697112	Cover–Breather Passage
358	697151	Gasket Set–Engine	510	693699	Drive–Starter	601	95162	Clamp–Hose
363	19203	Puller–Flywheel	513	692024	Clutch–Drive	601A	691038	Clamp–Hose Used on Type No(s). 0110.
383	89838	Wrench–Spark Plug	521	690581	Shield–Cable	613	691416	Screw (Muffler)
385	694476	Screw (Fuel Pump)	523	699908	Dipstick	613A	690297	Screw (Muffler)
385A	690297	Screw (Fuel Pump)	524	★691032	Seal–Dipstick Tube	613B	691678	Screw (Muffler)
387	697090	Pump–Fuel (Includes Mounting Bracket)	525	697184	Tube–Dipstick Used on Type No(s). 0028, 0110, 0121, 0124, 0173, 0178, 0180, 0252, 0397. ———— Note ———— 697085 Tube–Dipstick Used on Type No(s). 0026, 0036, 0116, 0117, 0120, 0122, 0125, 0395.	614	691620	Pin–Cotter
387A	808656	Pump–Fuel	526	697088	Screw (Regulator)(Regulator)	616	692012	Crank–Governor
404	691691	Washer (Governor Crank)			———— Note ———— 697348 Screw (Regulator)(Regulator) Used on Type No(s). 0178.	617	★692138	Seal–O Ring (Intake Manifold)
415	690283	Plug				634	●690801	Spring/Seal Assembly (697204)
431	697122	Elbow–Intake				634A	●690802	Spring/Seal Assembly (696179, 696181, 697202, 697203)
445	698083	Filter–Air Cleaner Cartridge (Non Washable)				634B	●698779	Spring/Seal Assembly
462	691261	Washer (Starter Cable)				635	691909	Boot–Spark Plug
474A	696459	Alternator (Dual Circuit) Used on Type No(s). 0117, 0124, 0173, 0180, 0397.	544	692034	Armature–Starter	643	698401	Retainer–Air Filter
474B	696457	Alternator (Tri Circuit) Used on Type No(s). 0026, 0036, 0110, 0120, 0121, 0125, 0395.	552	697144	Bushing–Governor Crank	654	690958	Nut (Carburetor)
474C	696458	Alternator (10 Amp Circuit) Used on Type No(s). 0028, 0116, 0178.	559	697561	Screw (Remote Choke Stop) Used on Type No(s). 0173, 0252.	676	393761	Deflector–Muffler Used on Type No(s). 0026, 0036, 0120, 0124. ———— Note ———— 396903 Deflector–Muffler Used on Type No(s). 0117, 0173.
			559A	693675	Screw (Remote Choke Stop) Used on Type No(s). 0173, 0252.	677	690661	Screw (Muffler Deflector)
			562	691119	Bolt (Governor Control Lever)	691	★692407	Seal–Governor Shaft
						697	690372	Screw (Drive Cap)
						718	690959	Pin–Locating
						729	691335	Clip–Wire (Wire Saddle)

★ Included in Engine Gasket Set–Ref. No.358.

● Included in Carburetor Overhaul Kit–Ref. No. 121 or 121A.

◆ Included in Carburetor Gasket Set–Ref. No. 977.

△ Included in Valve Gasket Set–Ref. No 1095.

Illustrations cover a range of engines. Parts shown without corresponding text may not be used on your specific engine.

285H00

REF. NO.	PART NO.	DESCRIPTION	REF. NO.	PART NO.	DESCRIPTION	REF. NO.	PART NO.	DESCRIPTION
729A	691224	Clip-Wire (Aluminum Coated Steel)	877C	399916	Wire/Connector-Alternator (10 Amp Circuit)	1019	699459	Kit-Label ———— Note ————
729B	694123	Clip-Wire (Nylon)	878	691237	Harness-Alternator (Alternator to Regulator)			791108 Kit-Label (15.5 HP INTEK) Used on Type No(s). 0026, 0028.
741	697128	Gear-Timing	878A	691955	Harness-Alternator (Alternator to Regulator)	1022	★△272475	Gasket-Rocker Cover
750	691033	Screw (Oil Pump Cover)				1023	791079	Gasket-Rocker
757	697607	Link-Counterweight	883	★692236	Gasket-Exhaust	1024	499054	Pump-Oil
758	697134	Counterweight	914	691108	Screw (Rocker Cover)	1026	692003	Rod-Push (Intake) ———— Note ————
759	697392	Pin-Counterweight	918	697091	Hose-Vacuum			692011 Rod-Push (Exhaust)
783	693713	Gear-Pinion (DC)(10-16 AMP)	920	691656	Solenoid-Starter Used on Type No(s). 0124, 0125.	1027	492932	Filter-Oil
789	692037	Harness-Wiring	943	★690589	Seal-O Ring (Oil Pump Cover)	1029	691751	Arm-Rocker
789A	698329	Harness-Wiring	947	694393	Solenoid-Fuel	1034	690822	Guide-Push Rod
797	693167	Nut (Brush Retainer)	947A	695423	Solenoid-Fuel	1035	693784	Shaft-Pump
801	691283	Cap-Drive	950	691657	Screw-Float Bowl	1036	790464	Label-Emissions (Used After Code Date 04063000) ———— Note ————
802	691286	Cap-End	958	698183	Valve-Fuel Shut Off (Plastic)(Plastic) Used on Type No(s). 0110, 0117, 0120, 0124.			695700 Label-Emissions (Used Before Code Date 04070100)
803	693757	Housing-Starter	965	499613	Cover-Oil Pump	1036A	698979	Label-Emissions Used on Type No(s). 0117.
823	698941	Screw (Muffler Adapter)	967	697015	Filter-Pre Cleaner	1040B	699852	Plate-Trim
830	691095	Stud-Rocker Arm	968	699830	Cover-Air Cleaner Used on Type No(s). 0026, 0028, 0036, 0117, 0121, 0173, 0178, 0180, 0252, 0395, 0397. ———— Note ————	1044	698139	Screw (Flywheel)
842	★691031	Seal-O Ring (Dipstick Tube)				1051	691265	Ring-Retaining
847	790442	Dipstick/Tube Assembly Used on Type No(s). 0028, 0110, 0121, 0124, 0173, 0178, 0180, 0252, 0397. ———— Note ————				1058	275935	Operator's Manual
		790443 Dipstick/Tube Assembly Used on Type No(s). 0026, 0036, 0116, 0117, 0120, 0122, 0125, 0395.	975	495933	Bowl-Float	1059	698516	Kit-Screw/Washer
851	692424	Terminal-Spark Plug	975A	699502	Bowl-Float	1070	690372	Screw (Flywheel Fan)
864	697346	Adapter-Muffler Used on Type No(s). 0026, 0028, 0036, 0116, 0117, 0120, 0122, 0124.	977	690192	Gasket Set-Carburetor	1090	691293	Retainer-Brush
868	★△690968	Seal-Valve	987	●691326	Seal-Throttle Shaft	1091	691333	Cap-Limiter
877	393456	Wire/Connector-Alternator (Dual Circuit)	987A	●698777	Seal-Throttle Shaft	1095	691581	Gasket Set-Valve
877B	393537	Wire/Connector-Alternator (Tri Circuit)	1005	697111	Fan-Flywheel	1119	691183	Screw (Alternator)
			1017	690770	Screen-Oil Pump (Push In)	1127	695407	Screw (Float Bowl)
						1263	697124	Reed-Breather
						1264	697104	Screw (Breather Reed)
						1265	697125	Support-Blower Housing

★ Included in Engine Gasket Set-Ref. No.358.

● Included in Carburetor Overhaul Kit-Ref. No. 121 or 121A.

◆ Included in Carburetor Gasket Set-Ref. No. 977.

△ Included in Valve Gasket Set-Ref. No 1095.

Illustrations cover a range of engines. Parts shown without corresponding text may not be used on your specific engine.

5105-11

Assemblies include all parts shown in frames.

10/25/2004

285H00

REF. NO.	PART NO.	DESCRIPTION	REF. NO.	PART NO.	DESCRIPTION	REF. NO.	PART NO.	DESCRIPTION
1266	★●691917	Seal-O Ring (Intake Elbow)	1270	697156	Plug-AVS Counterweight	1330	272147	Repair Manual
1266A	●697123	Seal-O Ring (Intake Elbow)	1279	691108	Screw (Blower Housing Support)			
1267	697419	Latch-Blower Housing (Black) Used on Type No(s). 0110, 0116, 0120, 0122, 0124, 0125.						
		Note						
	697424	Latch-Blower Housing (Red) Used on Type No(s). 0026, 0028, 0036, 0117, 0121, 0173, 0178, 0180, 0252, 0395, 0397.						

★ Included in Engine Gasket Set-Ref. No.358.

● Included in Carburetor Overhaul Kit-Ref. No. 121 or 121A.

◆ Included in Carburetor Gasket Set-Ref. No. 977.

△ Included in Valve Gasket Set-Ref. No 1095.

Illustrations cover a range of engines. Parts shown without corresponding text may not be used on your specific engine.