

286H00

Illustrated Parts List

Model Series

286H00

TYPE NUMBERS
0101 Through 0402

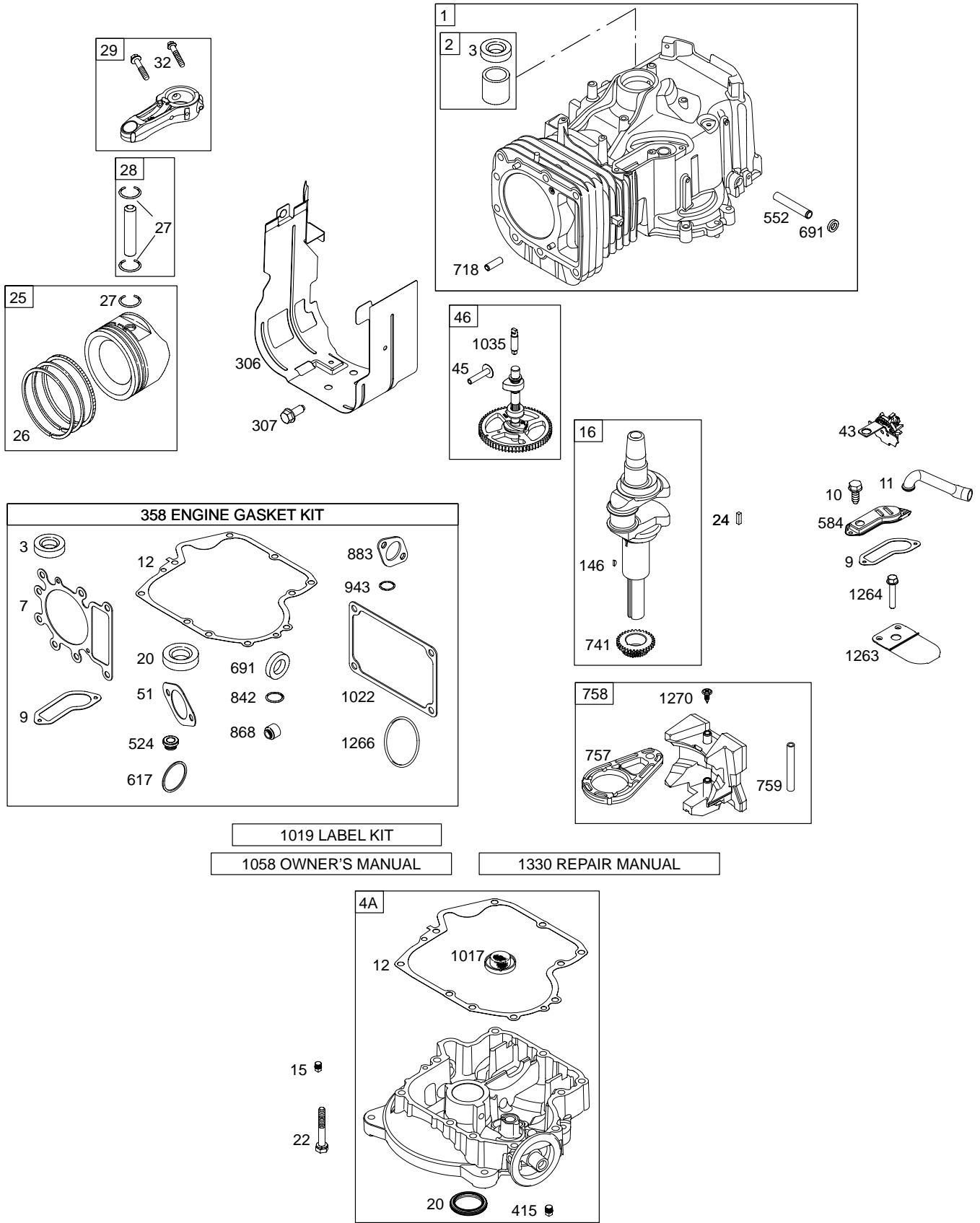
TABLE OF CONTENTS

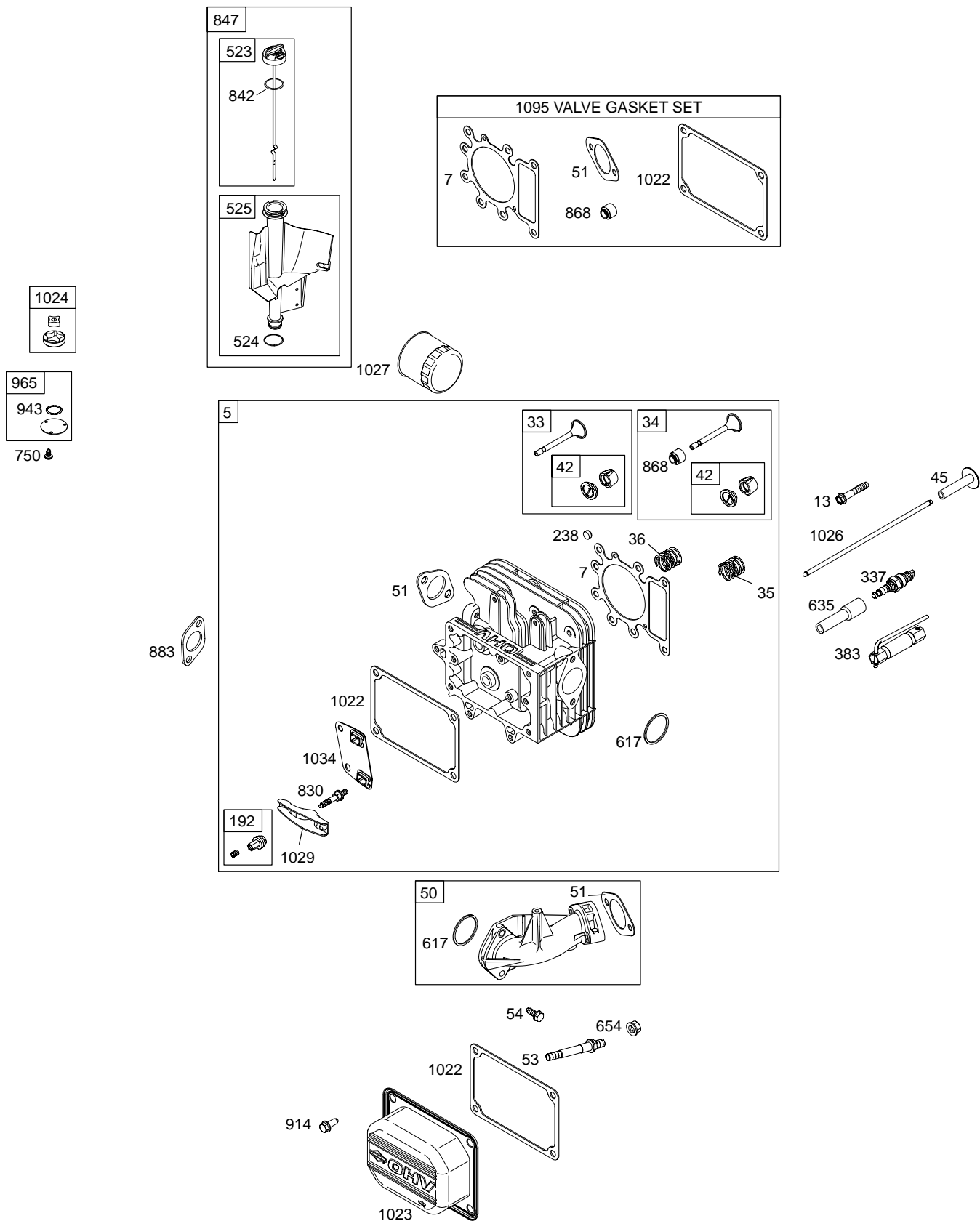
Air Cleaner	5
Alternator	7
Blower Housing	5
Camshaft	2
Carburetor	4
Controls	7
Crankshaft	2
Cylinder	2
Cylinder Head	3
Electric Starter	7
Engine Sump	2
Flywheel	6
Fuel Supply	4
Gasket Set – Engine	2
Gasket Set – Valve	3
Governor Spring	7
Ignition	7
Kit – Carburetor Overhaul	4
Lubrication	3
Piston, Rings, Connecting Rod	2
Valves	3



PRINTED IN U.S.A.

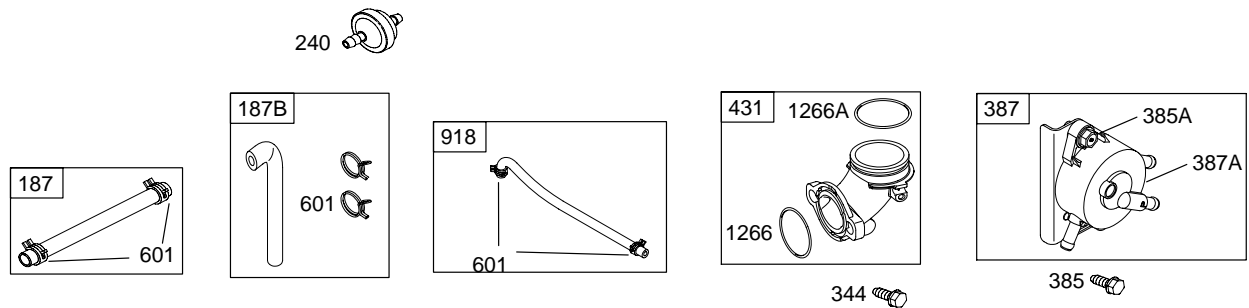
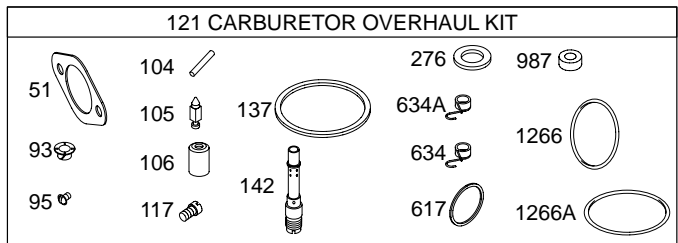
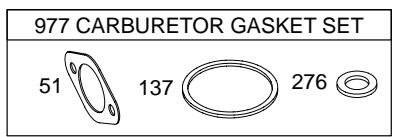
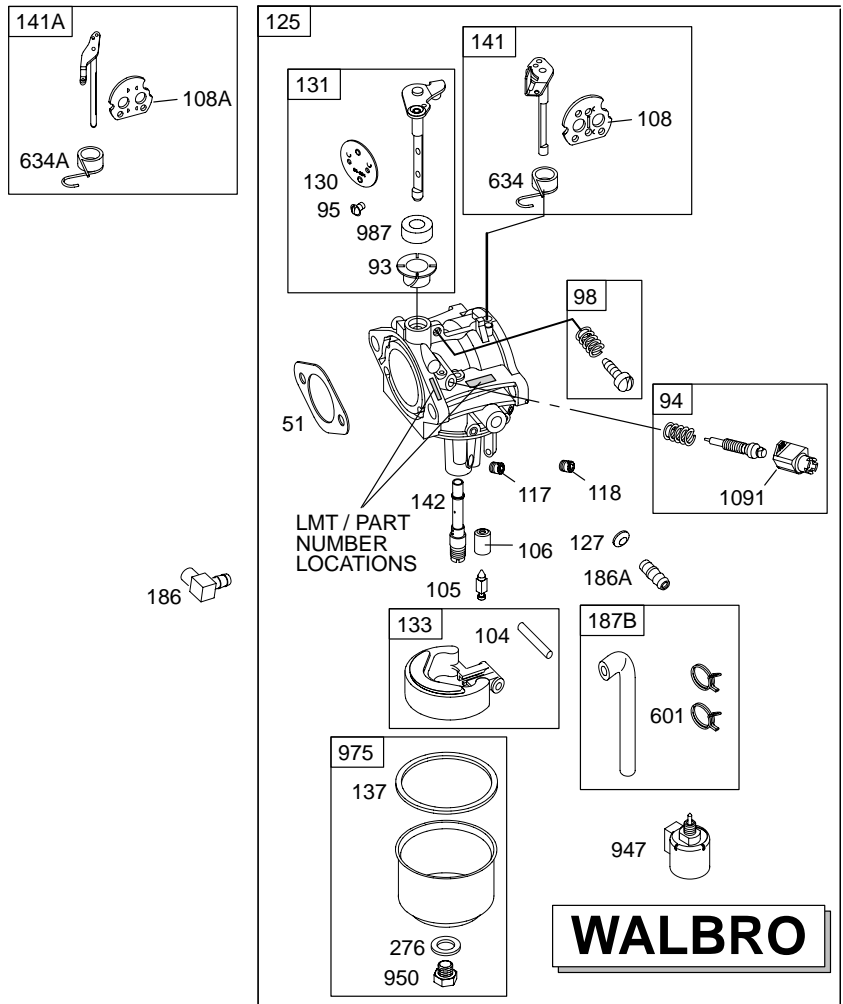
COPYRIGHT by BRIGGS & STRATTON CORPORATION
All rights reserved. No part of this material may be reproduced or transmitted, in any form or by any means, electronic or mechanical, including photocopying, recording or by any information storage and retrieval system, without permission in writing from Briggs & Stratton Corporation.



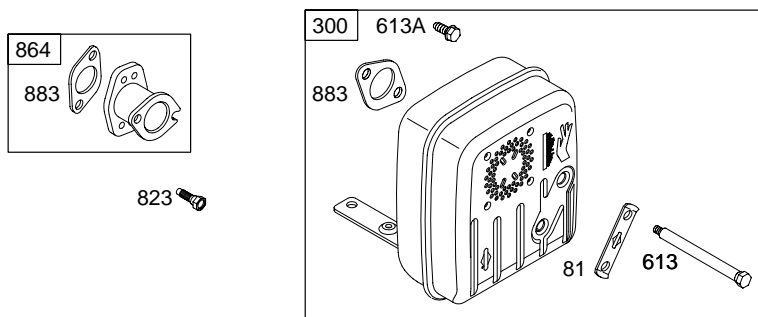
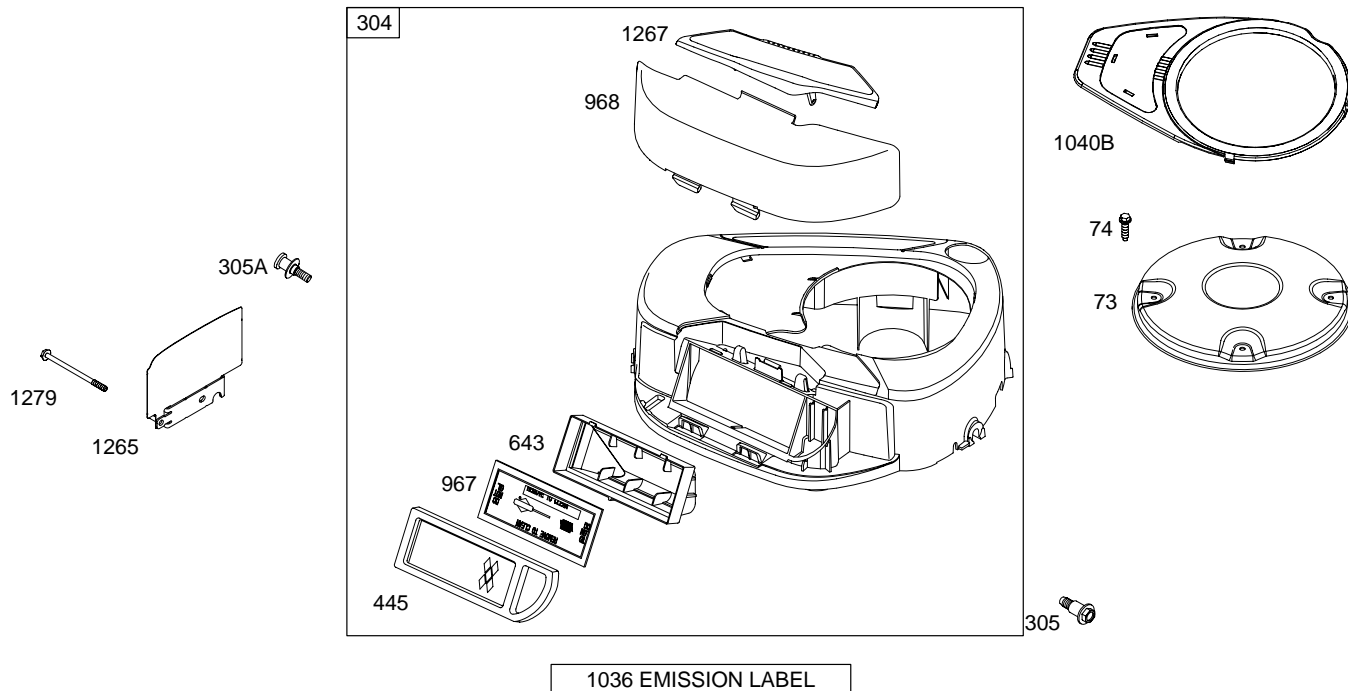


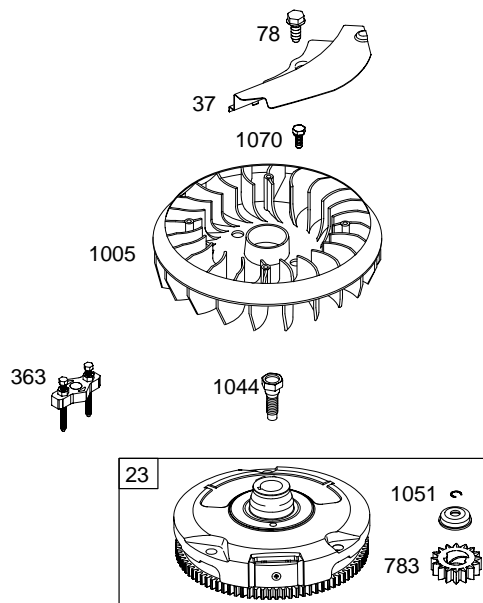
Illustrations cover a range of engines. Parts shown without corresponding text may not be used on your specific engine.
 5112-3 Assemblies include all parts shown in frames. 10/21/2004

286H00



Illustrations cover a range of engines. Parts shown without corresponding text may not be used on your specific engine.
 5112-4 Assemblies include all parts shown in frames. 10/21/2004



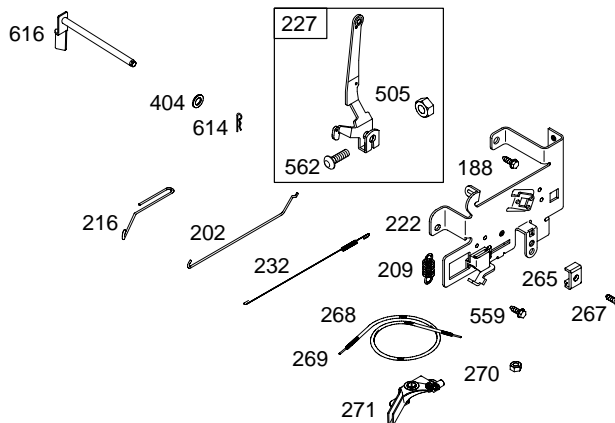
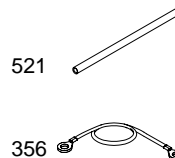
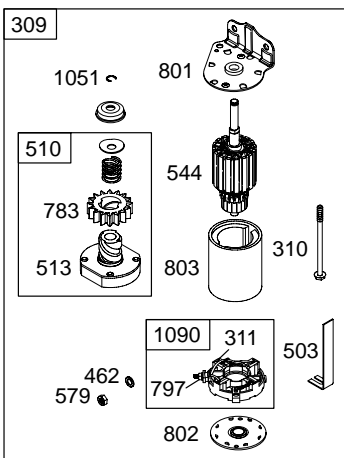
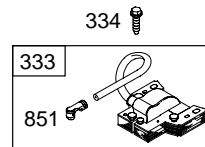
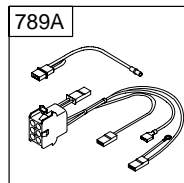
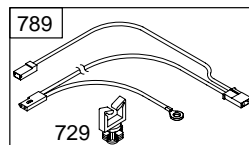


DUAL CIRCUIT		TRI CIRCUIT		10 AMP	
474A	1059	474B	1059	474C	1059



NOTE: All stators use a No. 1119 mounting screw.

NOTE: The proper flywheel part number and/or the alternator magnet size will determine the alternator type or output. See repair instruction manual for additional information.



286H00

REF. NO.	PART NO.	DESCRIPTION	REF. NO.	PART NO.	DESCRIPTION	REF. NO.	PART NO.	DESCRIPTION
1	697132	Cylinder Assembly	26	698375	Ring Set (Standard)	98	495800	Kit-Idle Speed
2	399265	Kit-Bushing/Seal (Magneto Side)			Note	104	●690525	Pin-Float Hinge
3	★391086	Seal-Oil (Magneto Side)			698396 Ring Set (.010" Oversize)	105	●231855	Valve-Float Needle
4A	697188	Sump-Engine			698397 Ring Set (.020" Oversize)	106	●690577	Seat-Inlet (Gravity Feed)
5	698148	Head-Cylinder			698398 Ring Set (.030" Oversize)			Note
7	★Δ273280	Gasket-Cylinder Head						●691780 Seat-Inlet (Pump Feed)
9	★697109	Gasket-Breather	27	698469	Lock-Piston Pin	108	690464	Valve-Choke (697204)
10	697157	Screw (Breather Assembly)	28	697099	Pin-Piston (Standard)	108A	692344	Valve-Choke (696181, 697202, 697203)
11	697113	Tube-Breather	29	697126	Rod-Connecting (Standard)	117	●694352	Jet-Main (Standard)
12	★697110	Gasket-Crankcase (.015" Thick)(Standard)			Note	118	697228	Jet-Main (High Altitude)
13	690360	Screw (Cylinder Head)			697263 Rod-Connecting (.020" Undersize)	121	697241	Kit-Carburetor Overhaul (Gravity Feed)
15	690946	Plug-Oil Drain (Square Head)	32	692852	Screw (Connecting Rod)	125	698445	Carburetor (Gravity Feed)(Use to replace pump and gravity feed carburetors)
		Note	33	695760	Valve-Exhaust	127	695005	Plug-Welch (5/16" Diameter)
		691680 Plug-Oil Drain (Square Socket) Used on Type No(s). 0186.	34	695761	Valve-Intake	130	691750	Valve-Throttle
16	697127	Crankshaft	35	691279	Spring-Valve (Intake)	131	494379	Kit-Throttle Shaft
20	★690947	Seal-Oil (PTO Side)	36	691279	Spring-Valve (Exhaust)	133	494381	Float-Carburetor
22	692125	Screw (Crankcase Cover/Sump)	37	697108	Guard-Flywheel	137	●◆281165	Gasket-Float Bowl
23	693557	Flywheel Used on Type No(s). 0121, 0186.	42	499586	Keeper-Valve	141	495097	Kit-Choke Shaft (697204)
		Note	43	691968	Slinger-Governor/Oil	141A	495931	Kit-Choke Shaft (696181, 697202, 697203)
		693556 Flywheel Used on Type No(s). 0101, 0122, 0165.	45	690564	Tappet-Valve	142	●697140	Nozzle-Carburetor (Standard)
		790894 Flywheel (Painted Flywheel) Used on Type No(s). 0121.	46	698492	Camshaft	146	691639	Key-Timing
24	222698	Key-Flywheel	50	690193	Manifold-Intake	186	692317	Connector-Hose (90 Degree)
25	698371	Piston Assembly (Standard)	51★Δ◆692137	Gasket-Intake	186A	698174	Connector-Hose (Straight)	
		Note	53	690227	Stud (Carburetor)	187	691050	Line-Fuel (Cut To Required Length)
		698393 Piston Assembly (.010" Oversize)	54	691148	Screw (Intake Manifold)			
		698394 Piston Assembly (.020" Oversize)	73	697133	Screen-Rotating			
		698395 Piston Assembly (.030" Oversize)	74	697897	Screw (Rotating Screen)			
			78	691003	Screw (Flywheel Guard)			
			81	691178	Lock-Muffler Screw			
			93	●690602	Bushing-Throttle Shaft			
			94	498030	Kit-Idle Mixture			
			95	●691636	Screw (Throttle Valve)			

★ Included in Engine Gasket Set-Ref. No.358.

● Included in Carburetor Overhaul Kit-Ref. No. 121.

◆ Included in Carburetor Gasket Set-Ref. No. 977.

Δ Included in Valve Gasket Set-Ref. No 1095.

Illustrations cover a range of engines. Parts shown without corresponding text may not be used on your specific engine.

286H00

REF. NO.	PART NO.	DESCRIPTION	REF. NO.	PART NO.	DESCRIPTION	REF. NO.	PART NO.	DESCRIPTION
187B	698417	Line–Fuel (Formed)(10–1/4 Inches Long)(Cut to Required Length)	304	698599	Housing–Blower (Black) Used on Type No(s). 0121, 0122, 0165.	358	697151	Gasket Set–Engine
188	691693	Screw (Control Bracket)			Note	363	19203	Puller–Flywheel
192	691986	Adjuster–Rocker Arm			698803	383	89838	Wrench–Spark Plug
202	691841	Link–Mechanical Governor			Housing–Blower (Red) Used on Type No(s). 0186.	385	694476	Screw (Fuel Pump) Used on Type No(s). 0122.
209	692208	Spring–Governor (Green)			699828	385A	690297	Screw (Fuel Pump) Used on Type No(s). 0122.
216	691840	Link–Choke			Housing–Blower (Red) Used on Type No(s). 0101.	387	697090	Pump–Fuel (Includes Mounting Bracket) Used on Type No(s). 0122.
222	694042	Bracket–Control			305	697102	Screw (Blower Housing)	
227	691374	Lever–Governor Control (Standard)	305A	697103	Screw (Blower Housing)	404	691691	Washer (Governor Crank)
232	691842	Spring–Governor Link	306	697107	Shield–Cylinder	415	690283	Plug (Square Head)
238	691843	Cap–Valve	307	691003	Screw (Cylinder Shield)	431	697122	Elbow–Intake
240	394358	Filter–Fuel (White, 75 Microns)	309	693551	Motor–Starter	445	698083	Filter–Air Cleaner Cartridge (Non Washable)
265	691024	Clamp–Casing	310	690323	Screw (Starter Motor)	462	691261	Washer (Starter Cable)
267	690804	Screw (Casing Clamp) Used on Type No(s). 0101, 0122.	311	497608	Brush Set	474A	696459	Alternator (Dual Circuit) Used on Type No(s). 0121, 0186.
		Note	333	492341	Armature–Magneto	474B	696457	Alternator (Tri Circuit) Used on Type No(s). 0101, 0165.
		695134 Screw (Casing Clamp) Used on Type No(s). 0121, 0165.	334	691061	Screw (Magneto Armature)	474C	696458	Alternator (10 Amp Circuit) Used on Type No(s). 0122.
268	691025	Casing–Control Wire (Cut To Required Length)	337	491055	Plug–Spark (Standard) Used on Type No(s). 0101, 0186.			
269	691026	Wire–Control (Cut To Required Length)			Note			
270	691027	Nut (Control Wire Casing)			691043 Plug–Spark Used on Type No(s). 0121, 0165.			
271	691028	Lever–Control	356	697089	Wire–Stop (1 Wire, 8" Long)(2 Ring Terminals) Used on Type No(s). 0101.			
276	●							
		692255 Washer–Sealing						
300	697349	Muffler Used on Type No(s). 0122.						

★ Included in Engine Gasket Set–Ref. No.358.

● Included in Carburetor Overhaul Kit–Ref. No. 121.

◆ Included in Carburetor Gasket Set–Ref. No. 977.

△ Included in Valve Gasket Set–Ref. No 1095.

Illustrations cover a range of engines. Parts shown without corresponding text may not be used on your specific engine.

5112–9

Assemblies include all parts shown in frames.

10/21/2004

286H00

REF. NO.	PART NO.	DESCRIPTION	REF. NO.	PART NO.	DESCRIPTION	REF. NO.	PART NO.	DESCRIPTION
501	691188	Regulator Used on Type No(s). 0101, 0165. ———— Note ———— 691185 Regulator Used on Type No(s). 0122.	634A	●690802	Spring/Seal Assembly (696181, 697202, 697203)	868	★△690968	Seal-Valve
503	691532	Strap-Starter	635	691909	Boot-Spark Plug	877	393456	Wire/Connector-Alternator (Dual Circuit)
505	691251	Nut (Governor Control Lever)	643	698401	Retainer-Air Filter	877B	393537	Wire/Connector-Alternator (Tri Circuit)
510	693699	Drive-Starter	654	690958	Nut (Carburetor)	877C	399916	Wire/Connector-Alternator (10 Amp Circuit)
513	692024	Clutch-Drive	691	★692407	Seal-Governor Shaft	878	691237	Harness-Alternator (Alternator to Regulator)
521	690581	Shield-Cable	697	690372	Screw (Drive Cap)	878A	691955	Harness-Alternator (Alternator to Regulator)
523	699908	Dipstick	718	690959	Pin-Locating	883	★692236	Gasket-Exhaust
524	★691032	Seal-Dipstick Tube	729	691335	Clip-Wire (Wire Saddle)	914	691108	Screw (Rocker Cover)
525	697184	Tube-Dipstick ———— Note ———— 697085 Tube-Dipstick Used on Type No(s). 0122.	729A	691224	Clip-Wire (Aluminum Coated Steel)	918	697091	Hose-Vacuum Used on Type No(s). 0122.
526	697088	Screw (Regulator) Used on Type No(s). 0101, 0165. ———— Note ———— 697348 Screw (Regulator) Used on Type No(s). 0122.	729B	694123	Clip-Wire (Nylon)	943	★690589	Seal-O Ring (Oil Pump Cover)
544	692034	Armature-Starter	741	697128	Gear-Timing	947	694393	Solenoid-Fuel
552	697144	Bushing-Governor Crank	750	691033	Screw (Oil Pump Cover)	950	691657	Screw-Float Bowl
562	691119	Bolt (Governor Control Lever)	757	697607	Link-Counterweight	965	499613	Cover-Oil Pump
578	692306	Wire Assembly	758	697134	Counterweight	967	697015	Filter-Pre Cleaner
579	691029	Nut (Starter Cable)	759	697392	Pin-Counterweight	968	698403	Cover-Air Cleaner (Black) Used on Type No(s). 0121, 0122, 0165. ———— Note ———— 697446 Cover-Air Cleaner (Red) Used on Type No(s). 0186.
584	697112	Cover-Breather Passage	783	693713	Gear-Pinion (DC)(10-16 AMP)	699830		Cover-Air Cleaner (Red) Used on Type No(s). 0101.
601	95162	Clamp-Hose (Zinc Plate)(Spring Wire)	789	692037	Harness-Wiring Used on Type No(s). 0101, 0121, 0122, 0165.	975	495933	Bowl-Float
613	691416	Screw (Muffler)	789A	698329	Harness-Wiring Used on Type No(s). 0186.	977	690192	Gasket Set-Carburetor
613A	690297	Screw (Muffler)	797	693167	Nut (Brush Retainer)	987	●691326	Seal-Throttle Shaft
614	691620	Pin-Cotter	801	691283	Cap-Drive	1005	697111	Fan-Flywheel
616	692012	Crank-Governor	802	691286	Cap-End	1017	690770	Screen-Oil Pump (Push In)
617	★692138	Seal-O Ring (Intake Manifold)	803	693757	Housing-Starter			
634	●690801	Spring/Seal Assembly (697204)	823	698941	Screw (Muffler Adapter)			
			830	691095	Stud-Rocker Arm			
			842	★691031	Seal-O Ring (Dipstick Tube)			
			847	790442	Dipstick/Tube Assembly ———— Note ———— 790443 Dipstick/Tube Assembly Used on Type No(s). 0122.			
			851	692424	Terminal-Spark Plug			
			864	697346	Adapter-Muffler Used on Type No(s). 0122.			

★ Included in Engine Gasket Set-Ref. No.358.

● Included in Carburetor Overhaul Kit-Ref. No. 121.

◆ Included in Carburetor Gasket Set-Ref. No. 977.

△ Included in Valve Gasket Set-Ref. No 1095.

Illustrations cover a range of engines. Parts shown without corresponding text may not be used on your specific engine.

5112-10

Assemblies include all parts shown in frames.

10/21/2004

286H00

REF. NO.	PART NO.	DESCRIPTION	REF. NO.	PART NO.	DESCRIPTION	REF. NO.	PART NO.	DESCRIPTION
1019	697143	Kit-Label	1044	698139	Screw (Flywheel)	1267	697419	Latch-Blower Housing (Black)
1022	★△272475	Gasket-Rocker Cover	1051	691265	Ring-Retaining			Used on Type No(s). 0121, 0122, 0165.
1023	791079	Cover-Rocker	1058	275935	Operator's Manual			Note
1024	499054	Pump-Oil	1059	698516	Kit-Screw/Washer			697662 Latch-Blower Housing
1026	692003	Rod-Push (Intake)	1070	690372	Screw (Flywheel Fan)			(Red)
		Note	1090	691293	Retainer-Brush			Used on Type No(s). 0186.
		692011 Rod-Push (Exhaust)	1091	691333	Cap-Limiter			697424 Latch-Blower Housing
1027	492932	Filter-Oil	1095	691581	Gasket Set-Valve			(Red)
1029	691751	Arm-Rocker	1119	691183	Screw (Alternator)			Used on Type No(s). 0101.
1034	690822	Guide-Push Rod	1263	697124	Reed-Breather (Breather Reed)	1270	697156	Plug-AVS Counterweight
1035	693784	Shaft-Pump	1264	697104	Screw (Breather Reed)	1279	691108	Screw (Blower Housing Support)
1036	790464	Label-Emissions (Used After Code Date 04063000)	1265	697125	Support-Blower Housing	1330	272147	Repair Manual
		Note	1266	★●691917	Seal-O Ring (Intake Elbow)			
		695700 Label-Emissions (Used Before Code Date 04070100)	1266A	●697123	Seal-O Ring (Intake Elbow)			
1040B	699852	Plate-Trim Used on Type No(s). 0101, 0121, 0122, 0165.						

★ Included in Engine Gasket Set-Ref. No.358.

● Included in Carburetor Overhaul Kit-Ref. No. 121.

◆ Included in Carburetor Gasket Set-Ref. No. 977.

△ Included in Valve Gasket Set-Ref. No 1095.

Illustrations cover a range of engines. Parts shown without corresponding text may not be used on your specific engine.

5112-11

Assemblies include all parts shown in frames.

10/21/2004