

28AH00

Illustrated Parts List Model Series 28AH00

TYPE NUMBERS
0112, 0113.

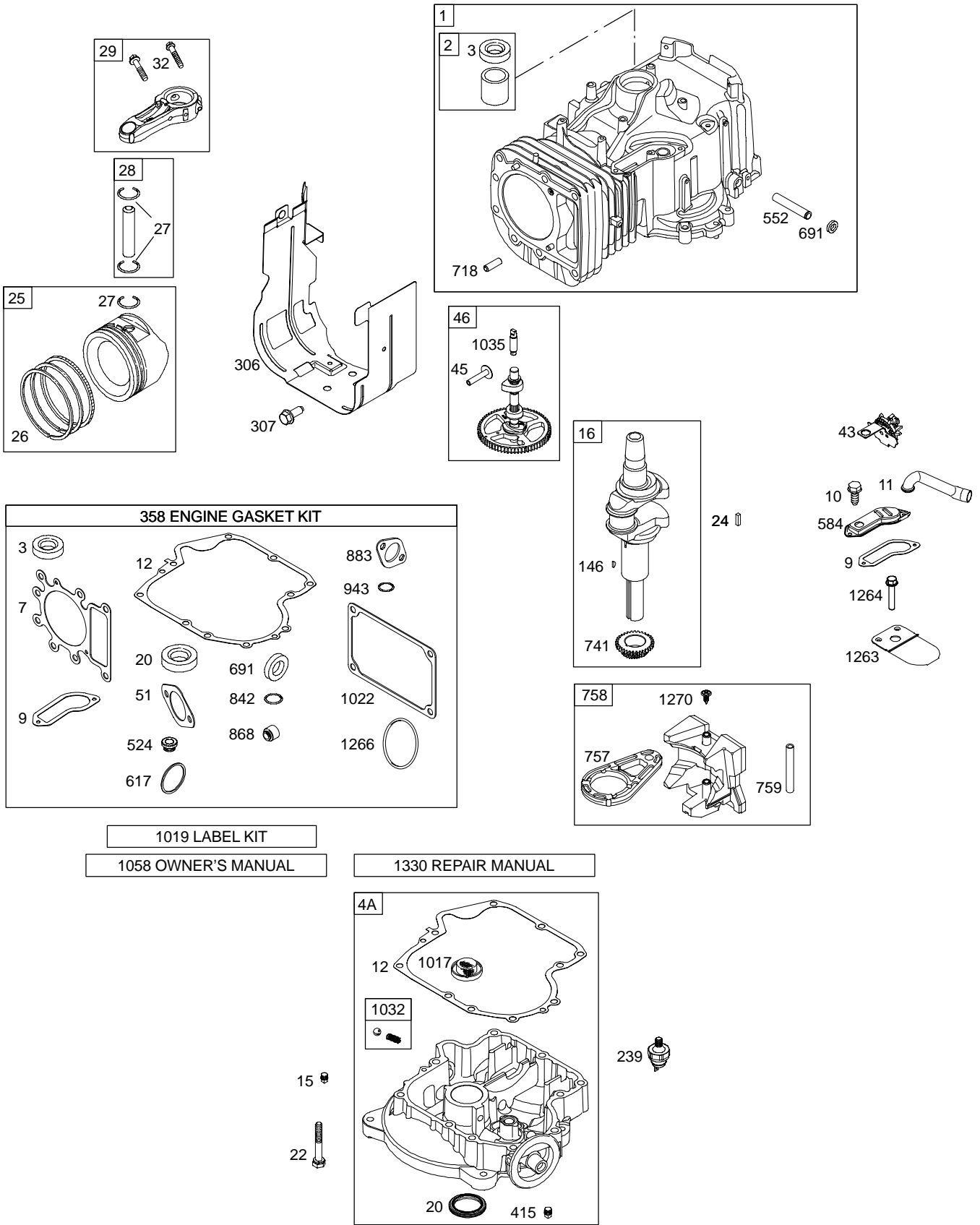
TABLE OF CONTENTS

Alternator	7
Blower Housing/Air Cleaner	5
Camshaft	2
Carburetor	4
Controls	7
Crankshaft	2
Cylinder	2
Cylinder Head	3
Electric Starter	7
Engine Sump	2
Flywheel	6
Fuel System	4
Governor Spring	7
Ignition	7
Kit/Gaskets – Carburetor	4
Kit/Gaskets – Engine	2
Kit/Gaskets – Valve	3
Muffler	5
Oil System Components	3
Piston and Rod Group	2
Rewind Starter	6
Valves	3

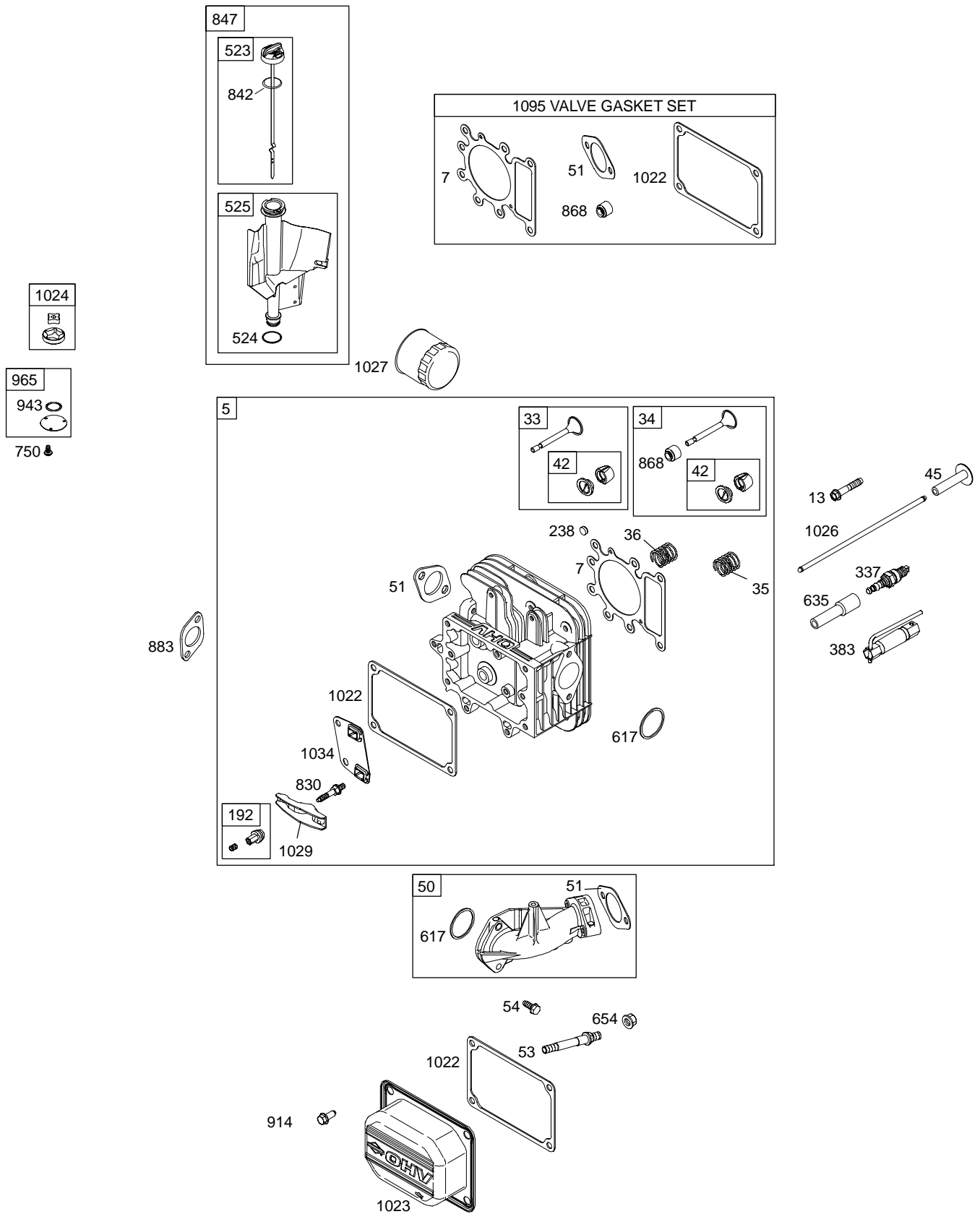


PRINTED IN U.S.A.

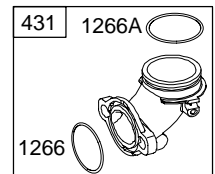
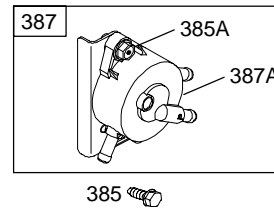
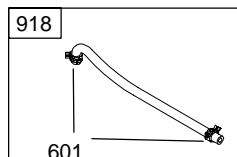
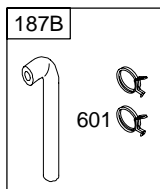
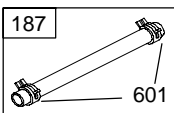
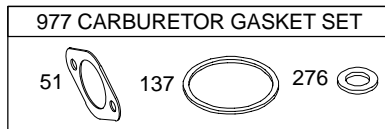
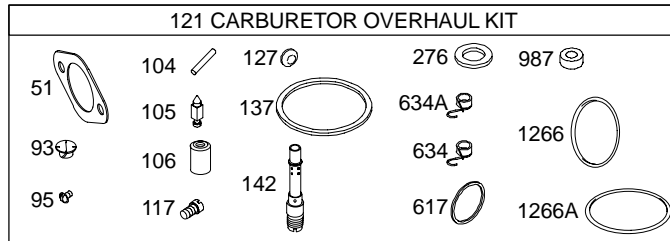
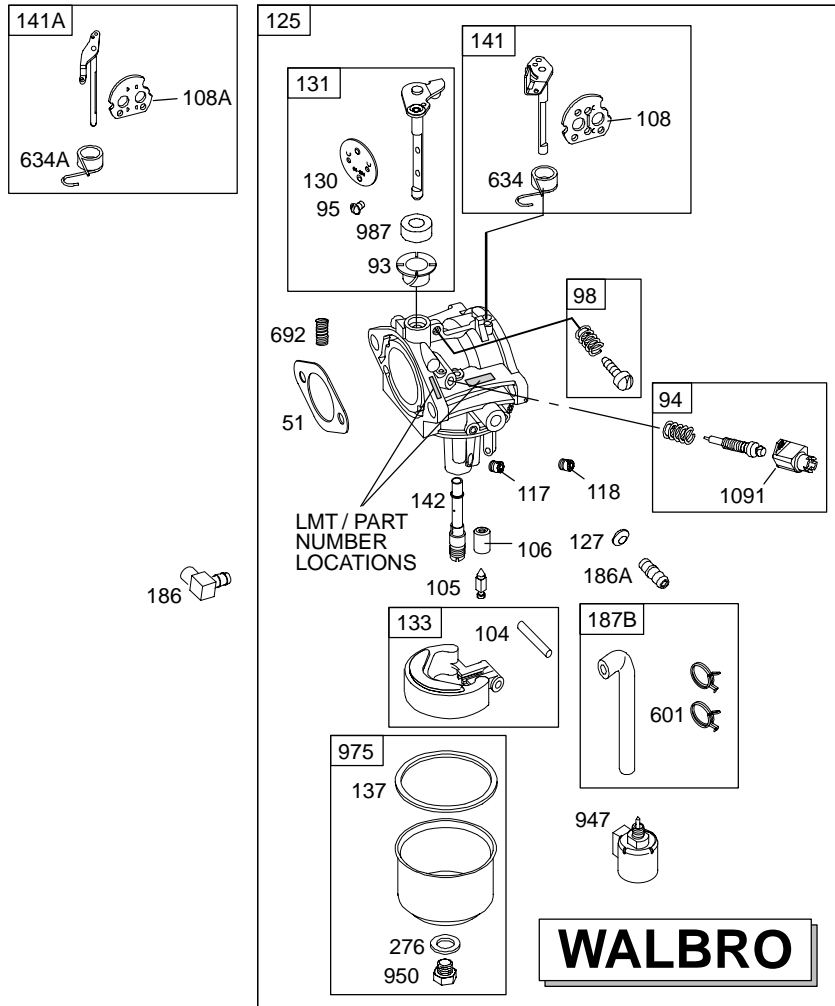
COPYRIGHT by BRIGGS & STRATTON CORPORATION
All rights reserved. No part of this material may be reproduced or transmitted,
in any form or by any means, electronic or mechanical, including photocopying,
recording or by any information storage and retrieval system, without permission
in writing from Briggs & Stratton Corporation.



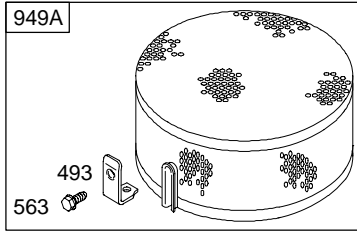
Illustrations cover a range of engines. Parts shown without corresponding text may not be used on your specific engine.



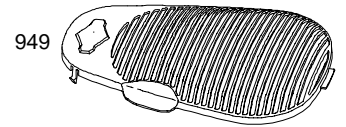
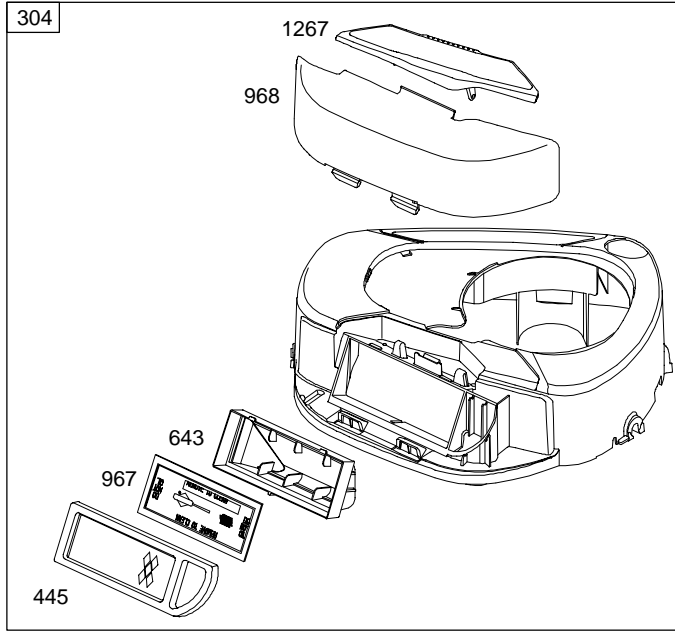
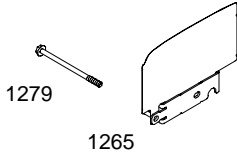
Illustrations cover a range of engines. Parts shown without corresponding text may not be used on your specific engine.
 5328-3 Assemblies include all parts shown in frames.



Illustrations cover a range of engines. Parts shown without corresponding text may not be used on your specific engine.



305A

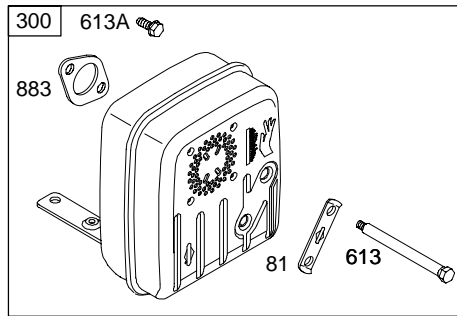
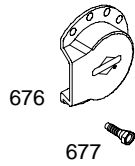
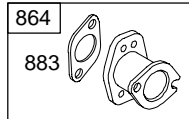


949

305

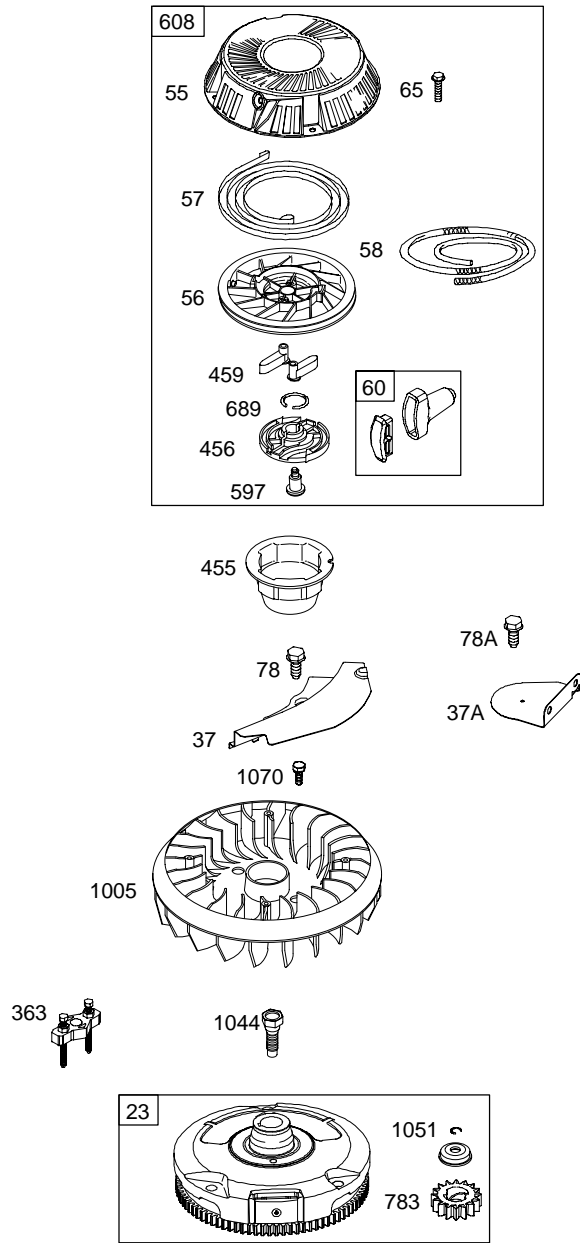
1036 EMISSION LABEL



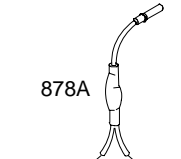
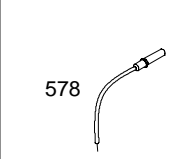
823




Illustrations cover a range of engines. Parts shown without corresponding text may not be used on your specific engine.
 5328-5 Assemblies include all parts shown in frames.

05/04/2004

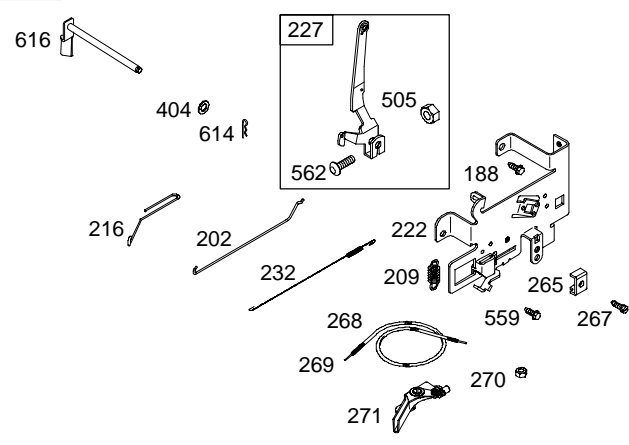
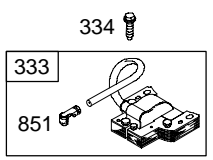
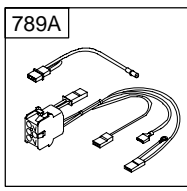
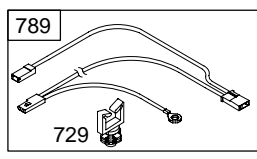
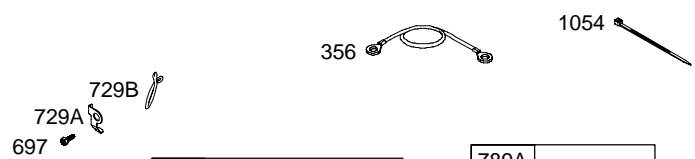
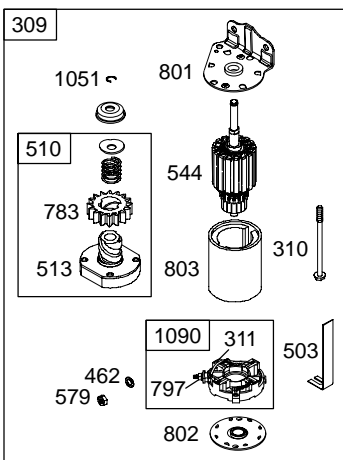


TRI CIRCUIT		10 AMP	
474B	1059	474C	1059
877B		877C	
878A		578	



NOTE: All stators use a No. 1119 mounting screw. 

NOTE: The proper flywheel part number and/or the alternator magnet size will determine the alternator type or output. See repair instruction manual for additional information.



Illustrations cover a range of engines. Parts shown without corresponding text may not be used on your specific engine.
 5328-7 Assemblies include all parts shown in frames. 05/04/2004

28AH00

REF. NO.	PART NO.	DESCRIPTION	REF. NO.	PART NO.	DESCRIPTION	REF. NO.	PART NO.	DESCRIPTION			
1	697132	Cylinder Assembly	32	692852	Screw (Connecting Rod)	78A	690364	Screw (Flywheel Guard)			
2	399265	Kit-Bushing/Seal (Magneto Side)	33	698370	Valve-Exhaust			Used on Type No(s). 0113.			
3	★391086	Seal-Oil (Magneto Side)	34	695761	Valve-Intake	81	691178	Lock-Muffler Screw			
4A	697188	Sump-Engine	35	691279	Spring-Valve (Intake)	93	●690602	Bushing-Throttle Shaft			
5	698404	Head-Cylinder	36	691279	Spring-Valve (Exhaust)	94	498030	Kit-Idle Mixture			
7	★△273280	Gasket-Cylinder Head	37	697108	Guard-Flywheel Used on Type No(s). 0112.	95	●691636	Screw (Throttle Valve)			
9	★697109	Gasket-Breather			Note	98	495800	Kit-Idle Speed			
10	697157	Screw (Breather Assembly)			697352	104	●690525	Pin-Float Hinge			
11	697113	Tube-Breather			Guard-Flywheel	105	●231855	Valve-Float Needle			
12	★697110	Gasket-Crankcase			Used on Type No(s). 0113.	106	●691780	Seat-Inlet (Pump Feed)			
13	690360	Screw (Cylinder Head)	37A	697626	Guard-Flywheel Used on Type No(s). 0113.			Used on Type No(s). 0112.			
15	690946	Plug-Oil Drain	42	499586	Keeper-Valve			Note			
16	697516	Crankshaft	43	691968	Slinger-Governor/Oil			●690577 Seat-Inlet (Gravity Feed)			
20	★690947	Seal-Oil (PTO Side)	45	690564	Tappet-Valve	108	690464	Valve-Choke (LMT 697204, 697205)			
22	692125	Screw (Crankcase Cover/Sump)	46	698492	Camshaft	108A	692344	Valve-Choke (LMT 696179, 697202)			
23	693556	Flywheel	50	690193	Manifold-Intake	117	●694352	Jet-Main (Standard)			
24	222698	Key-Flywheel	51★△◆692137	Gasket-Intake	54	691148	Screw (Intake Manifold)	118	697228	Jet-Main (High Altitude)	
25	698390	Piston Assembly (Standard)	53	690227	Stud (Carburetor)	55	695130	Housing-Rewind Starter	121	697241	Kit-Carburetor Overhaul
		Note			Used on Type No(s). 0113.	56	695129	Pulley-Starter Used on Type No(s). 0113.	125	699937	Carburetor (Pump Feed)
		698393 Piston Assembly (.010" Oversize)			Used on Type No(s). 0113.	57	695131	Spring-Rewind Starter Used on Type No(s). 0113.			Note
		698394 Piston Assembly (.020" Oversize)			58	695132	Rope-Starter Used on Type No(s). 0113.	127	●695005	Plug-Welch	
		698395 Piston Assembly (.030" Oversize)			60	494212	Grip-Starter Rope Used on Type No(s). 0113.	130	691750	Valve-Throttle	
26	698389	Ring Set (Standard)			65	697725	Screw (Rewind Starter)	131	494379	Kit-Throttle Shaft	
		Note			Used on Type No(s). 0113.			133	494381	Float-Carburetor	
		698396 Ring Set (.010" Oversize)			78	691003	Screw (Flywheel Guard)	137	◆281165	Gasket-Float Bowl	
		698397 Ring Set (.020" Oversize)			Used on Type No(s). 0113.			141	495097	Kit-Choke Shaft (LMT 697204, 697205)	
		698398 Ring Set (.030" Oversize)			Used on Type No(s). 0113.			141A	495931	Kit-Choke Shaft (LMT 696179, 697202)	
27	698469	Lock-Piston Pin									
28	697099	Pin-Piston (Standard)									
29	697518	Rod-Connecting (Standard)									
		Note									
		697264 Rod-Connecting (.020" Undersize)									

★ Included in Engine Gasket Set-Ref. No.358.

● Included in Carburetor Overhaul Kit-Ref. No. 121.

◆ Included in Carburetor Gasket Set-Ref. No. 977.

△ Included in Valve Gasket Set-Ref. No 1095.

Illustrations cover a range of engines. Parts shown without corresponding text may not be used on your specific engine.

28AH00

REF. NO.	PART NO.	DESCRIPTION	REF. NO.	PART NO.	DESCRIPTION	REF. NO.	PART NO.	DESCRIPTION
142	●697140	Nozzle-Carburetor (Standard)	271	691028	Lever-Control	455	695113	Cup-Flywheel Used on Type No(s). 0113.
146	690979	Key-Timing	276	◆692255	Washer-Sealing			
186	692317	Connector-Hose (90 Degree)	300	697349	Muffler	456	695128	Plate-Pawl Friction Used on Type No(s). 0113.
186A	698174	Connector-Hose (Straight)	304	698420	Housing-Blower (Black) Used on Type No(s). 0112.	459	281505	Pawl-Ratchet Used on Type No(s). 0113.
187	691050	Line-Fuel (Cut To Required Length)			Note	462	691261	Washer (Starter Cable)
187B	698417	Line-Fuel (Formed)(10-1/4 Inches Long)(Cut to Required Length)			699704 Housing-Blower (Black) Used on Type No(s). 0113.	474B	696457	Alternator (Tri Circuit) Used on Type No(s). 0113.
188	691693	Screw (Control Bracket)	305	697102	Screw (Blower Housing)	474C	696458	Alternator (10 Amp Circuit) Used on Type No(s). 0112.
192	691986	Adjuster-Rocker Arm	305A	697103	Screw (Blower Housing)	493	695450	Bracket-Mounting Used on Type No(s). 0113.
202	691841	Link-Mechanical Governor	306	697107	Shield-Cylinder	501	691185	Regulator Used on Type No(s). 0112.
209	690480	Spring-Governor (Red)	307	691003	Screw (Cylinder Shield)	503	691532	Strap-Starter
216	691840	Link-Choke	309	693551	Motor-Starter	505	691251	Nut (Governor Control Lever)
222	694042	Bracket-Control	310	690323	Screw (Starter Motor)	510	693699	Drive-Starter
227	691374	Lever-Governor Control	311	497608	Brush Set	513	692024	Clutch-Drive
232	691842	Spring-Governor Link	333	492341	Armature-Magneto	523	699908	Dipstick
238	691843	Cap-Valve	334	691061	Screw (Magneto Armature)	524	★691032	Seal-Dipstick Tube
239	491657	Switch-Oil Pressure	337	491055	Plug-Spark	525	697085	Tube-Dipstick Used on Type No(s). 0112.
240	394358	Filter-Fuel (White, 75 Microns) Used on Type No(s). 0113.	356	697089	Wire-Stop			Note
240B	695666	Filter-Fuel (Includes 30 Micron Paper Element) Used on Type No(s). 0112.	358	697151	Gasket Set-Engine			698315 Regulator Used on Type No(s). 0113.
265	691024	Clamp-Casing	363	19203	Puller-Flywheel			
267	690804	Screw (Casing Clamp)	383	89838	Wrench-Spark Plug			
268	691025	Casing-Control Wire (Cut To Required Length)	385	694476	Screw (Fuel Pump)			
269	691026	Wire-Control (Cut To Required Length)	385A	690297	Screw (Fuel Pump)			
270	691027	Nut (Control Wire Casing)	387	697090	Pump-Fuel (Includes Mounting Bracket)			
			387A	808656	Pump-Fuel			
			404	691691	Washer (Governor Crank)			
			415	690283	Plug (.125-27 NPTF)			
			431	697122	Elbow-Intake			
			445	697153	Filter-Air Cleaner Cartridge (Washable)			
						526	697348	Screw (Regulator)

★ Included in Engine Gasket Set-Ref. No.358.

● Included in Carburetor Overhaul Kit-Ref. No. 121.

◆ Included in Carburetor Gasket Set-Ref. No. 977.

△ Included in Valve Gasket Set-Ref. No 1095.

Illustrations cover a range of engines. Parts shown without corresponding text may not be used on your specific engine.

5328-9

Assemblies include all parts shown in frames.

05/04/2004

28AH00

REF. NO.	PART NO.	DESCRIPTION	REF. NO.	PART NO.	DESCRIPTION	REF. NO.	PART NO.	DESCRIPTION
544	692034	Armature–Starter	729A	691224	Clip–Wire (Aluminum Coated Steel)	883	★692236	Gasket–Exhaust
552	697144	Bushing–Governor Crank	729B	694123	Clip–Wire (Nylon)	914	691108	Screw (Rocker Cover)
559	697561	Screw (Remote Choke Stop)	741	697128	Gear–Timing	918	697091	Hose–Vacuum (Formed)
562	691119	Bolt (Governor Control Lever)	750	691033	Screw (Oil Pump Cover)	943	★690589	Seal–O Ring (Oil Pump Cover)
563	695449	Screw (Debris Screen Guard)	757	697607	Link–Counterweight	947	694393	Solenoid–Fuel
578	692306	Wire Assembly Used on Type No(s). 0112.	758	697134	Counterweight	949	697729	Guard–Debris Screen Used on Type No(s). 0112.
579	691029	Nut (Starter Cable)	759	697392	Pin–Counterweight	949A	695448	Guard–Debris Screen Used on Type No(s). 0113.
584	697112	Cover–Breather Passage	783	693713	Gear–Pinion	950	695407	Screw–Float Bowl (Bottom Of Bowl)
597	691696	Screw (Pawl Friction Plate) Used on Type No(s). 0113.	789	692037	Harness–Wiring Used on Type No(s). 0112.	965	499613	Cover–Oil Pump
601	95162	Clamp–Hose	789A	698329	Harness–Wiring Used on Type No(s). 0113.	967	697015	Filter–Pre Cleaner
608	695058	Starter–Rewind Used on Type No(s). 0113.	797	693167	Nut (Brush Retainer)	968	697574	Cover–Air Cleaner (Black) Used on Type No(s). 0112.
613	691416	Screw (Muffler)	801	691283	Cap–Drive			Note _____
613A	690297	Screw (Muffler)	802	691286	Cap–End			698403 Cover–Air Cleaner (Black) Used on Type No(s). 0113.
614	691620	Pin–Cotter	803	693757	Housing–Starter	975	495933	Bowl–Float
616	692012	Crank–Governor	823	698941	Screw (Muffler Adapter)	977	690192	Gasket Set–Carburetor
617	★692138	Seal–O Ring (Intake Manifold)	830	691095	Stud–Rocker Arm	987	●691326	Seal–Throttle Shaft
634	●690801	Spring/Seal Assembly (LMT 697204, 697205)	842	★691031	Seal–O Ring (Dipstick Tube)	1005	697546	Fan–Flywheel Used on Type No(s). 0112.
634A	●690802	Spring/Seal Assembly (LMT 696179, 697202)	847	790443	Dipstick/Tube Assembly Used on Type No(s). 0112.			Note _____
635	691909	Boot–Spark Plug			Note _____			790442 Dipstick/Tube Assembly Used on Type No(s). 0113.
643	698401	Retainer–Air Filter	851	692424	Terminal–Spark Plug	1017	690770	Screen–Oil Pump (Push In)
654	690958	Nut (Carburetor)	864	697346	Adapter–Muffler	1019	698414	Kit–Label
676	393761	Deflector–Muffler	868	★Δ690968	Seal–Valve	1022	★Δ272475	Gasket–Rocker Cover
677	690661	Screw (Muffler Deflector)	877B	393537	Wire/Connector– Alternator (Tri Circuit) Used on Type No(s). 0113.	1023	692492	Cover–Rocker
689	691855	Spring–Friction Used on Type No(s). 0113.			Used on Type No(s). 0113.	1024	499054	Pump–Oil
691	★692407	Seal–Governor Shaft	877C	399916	Wire/Connector– Alternator Used on Type No(s). 0112.	1026	692003	Rod–Push (Intake) Note _____
692	690572	Spring–Detent						692011 Rod–Push (Exhaust)
697	690372	Screw (Drive Cap)	878A	691955	Harness–Alternator Used on Type No(s). 0113.			
718	690959	Pin–Locating						
729	691335	Clip–Wire (Wire Saddle)						

★ Included in Engine Gasket Set–Ref. No.358.

● Included in Carburetor Overhaul Kit–Ref. No. 121.

◆ Included in Carburetor Gasket Set–Ref. No. 977.

Δ Included in Valve Gasket Set–Ref. No 1095.

Illustrations cover a range of engines. Parts shown without corresponding text may not be used on your specific engine.

28AH00

REF. NO.	PART NO.	DESCRIPTION	REF. NO.	PART NO.	DESCRIPTION	REF. NO.	PART NO.	DESCRIPTION
1027	696854	Filter—Oil	1090	691293	Retainer—Brush	1267	697575	Latch—Blower Housing
1029	691751	Arm—Rocker	1091	691333	Cap—Limiter			Used on Type No(s). 0112.
1032	491710	Ball—Oil Pump Used on Type No(s). 0113.	1095	691581	Gasket Set—Valve			Note _____
1034	690822	Guide—Push Rod	1119	691183	Screw (Alternator)			697419 Latch—Blower Housing
1035	693784	Shaft—Pump	1263	697124	Reed—Breather			Used on Type No(s). 0113.
1036	695700	Label—Emissions	1264	697104	Screw (Breather Reed)	1270	697156	Plug—AVS Counterweight
1044	698139	Screw (Flywheel)	1265	697125	Support—Blower Housing	1279	691108	Screw (Blower Housing Support)
1051	691265	Ring—Retaining	1266	★691917	Seal—O Ring (Intake Elbow)	1330	272147	Repair Manual
1054	280275	Tie—Cable	1266A	●697123	Seal—O Ring (Intake Elbow)			
1058	275935	Operator's Manual						
1059	698516	Kit—Screw/Washer						
1070	690372	Screw (Flywheel Fan)						

★ Included in Engine Gasket Set—Ref. No.358.

● Included in Carburetor Overhaul Kit—Ref. No. 121.

◆ Included in Carburetor Gasket Set—Ref. No. 977.

△ Included in Valve Gasket Set—Ref. No 1095.

Illustrations cover a range of engines. Parts shown without corresponding text may not be used on your specific engine.

5328-11

Assemblies include all parts shown in frames.

05/04/2004