

# 28CH00

## Illustrated Parts List

### Model Series

# 28CH00

TYPE NUMBERS  
0036, 0110, 0111

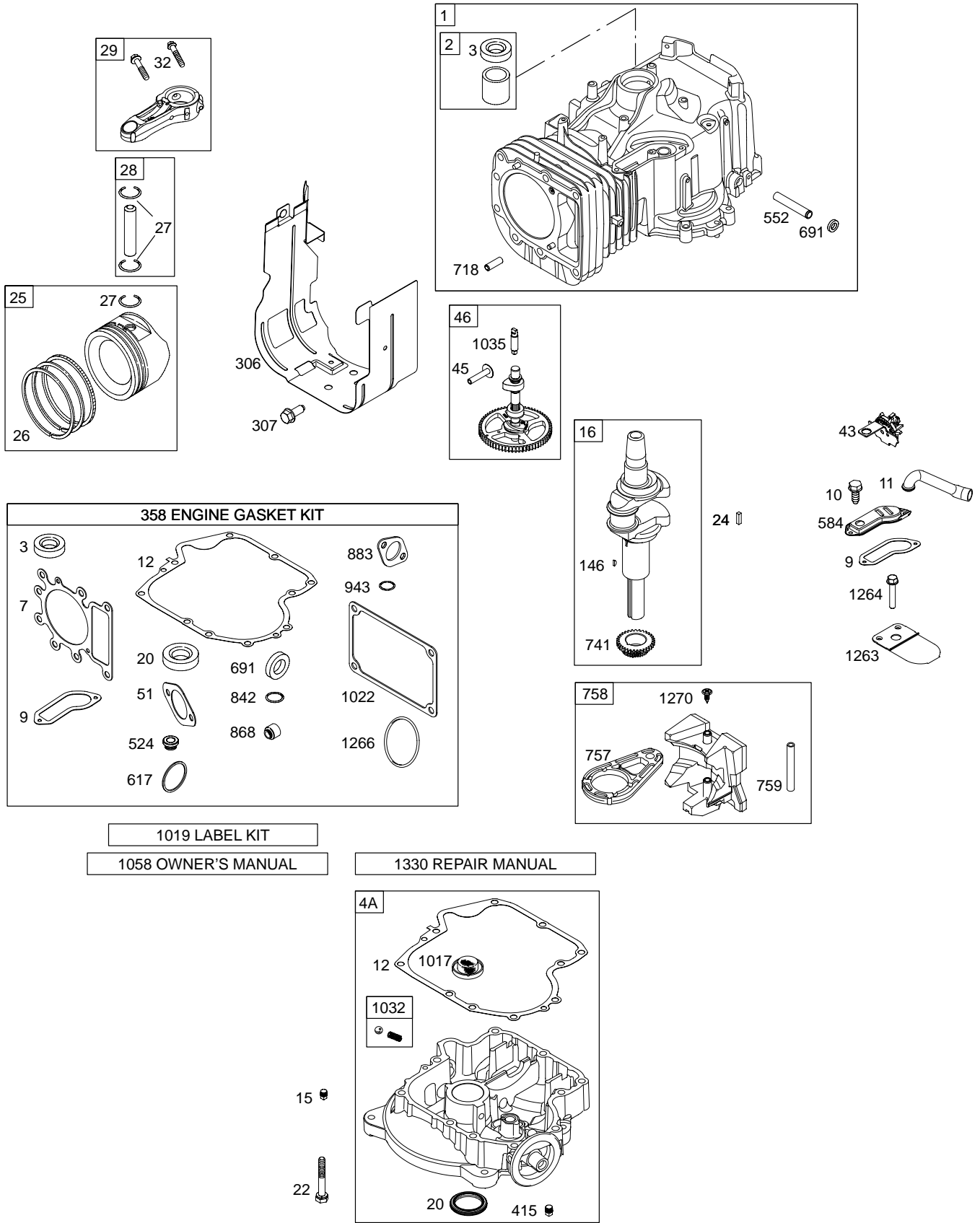
### TABLE OF CONTENTS

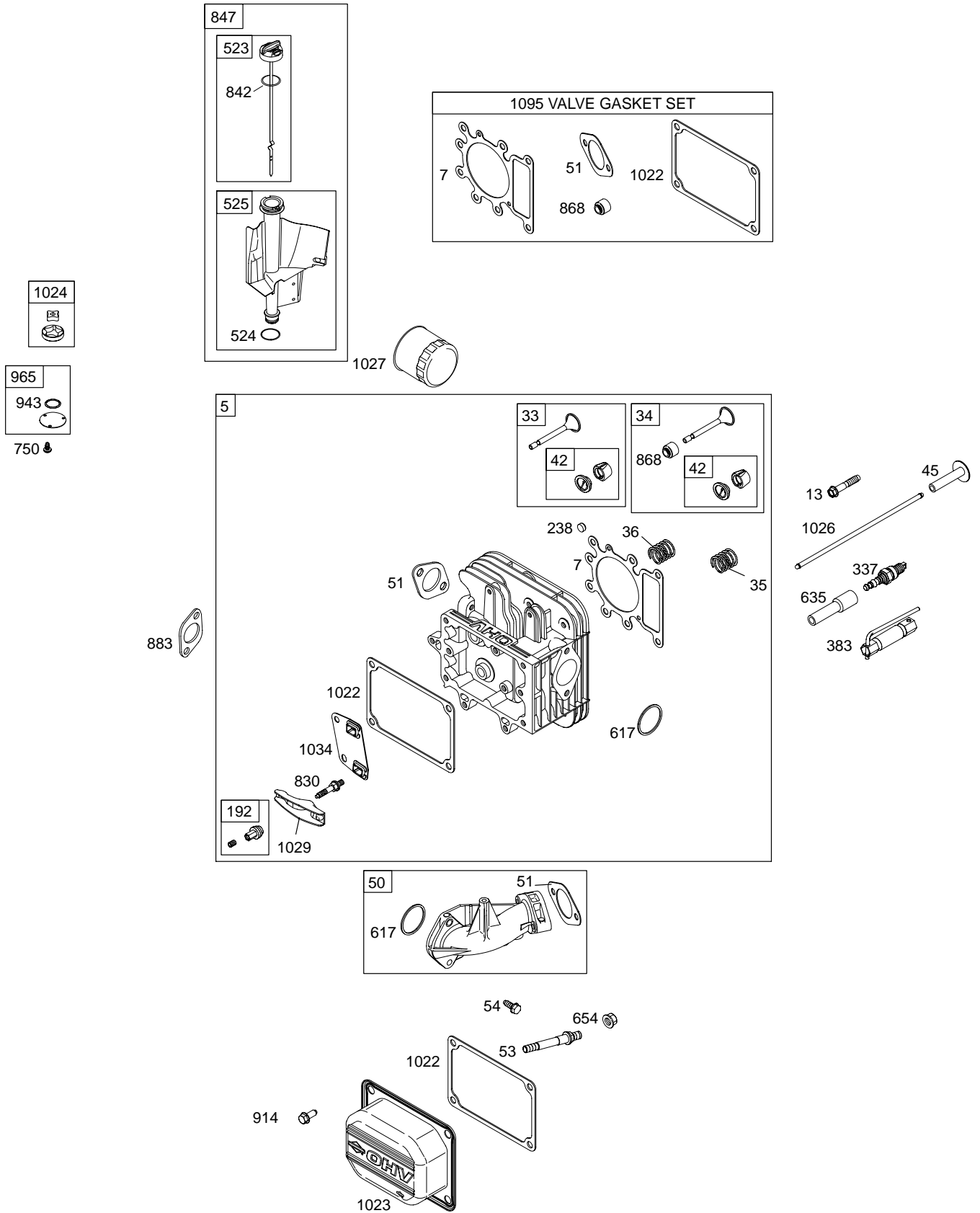
Air Cleaner .....	5
Alternator .....	7
Blower Housing .....	5
Camshaft .....	2
Carburetor .....	4
Controls .....	7
Engine Sump .....	2
Crankshaft .....	2
Cylinder .....	2
Cylinder Head .....	3
Electric Starter .....	7
Exhaust System .....	5
Flywheel .....	6
Fuel Supply .....	4
Gasket Set – Engine .....	2
Gasket Set – Valve .....	3
Governor Spring .....	7
Ignition .....	7
Intake Manifold .....	3
Kit – Carburetor Overhaul. . . . .	4
Lubrication .....	3
Piston, Rings, Connecting Rod .....	2
Rewind Starter .....	6
Valves .....	3

PRINTED IN U.S.A.



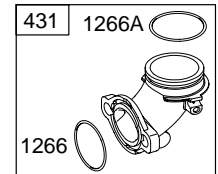
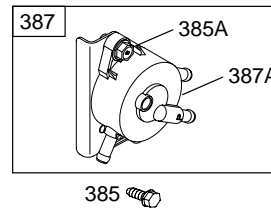
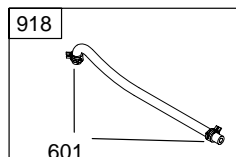
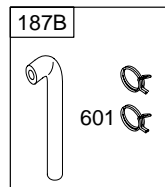
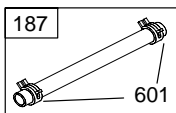
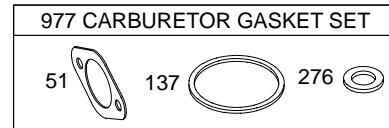
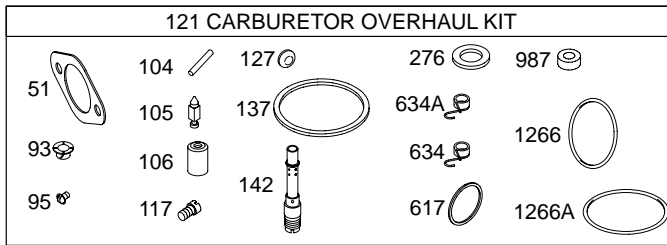
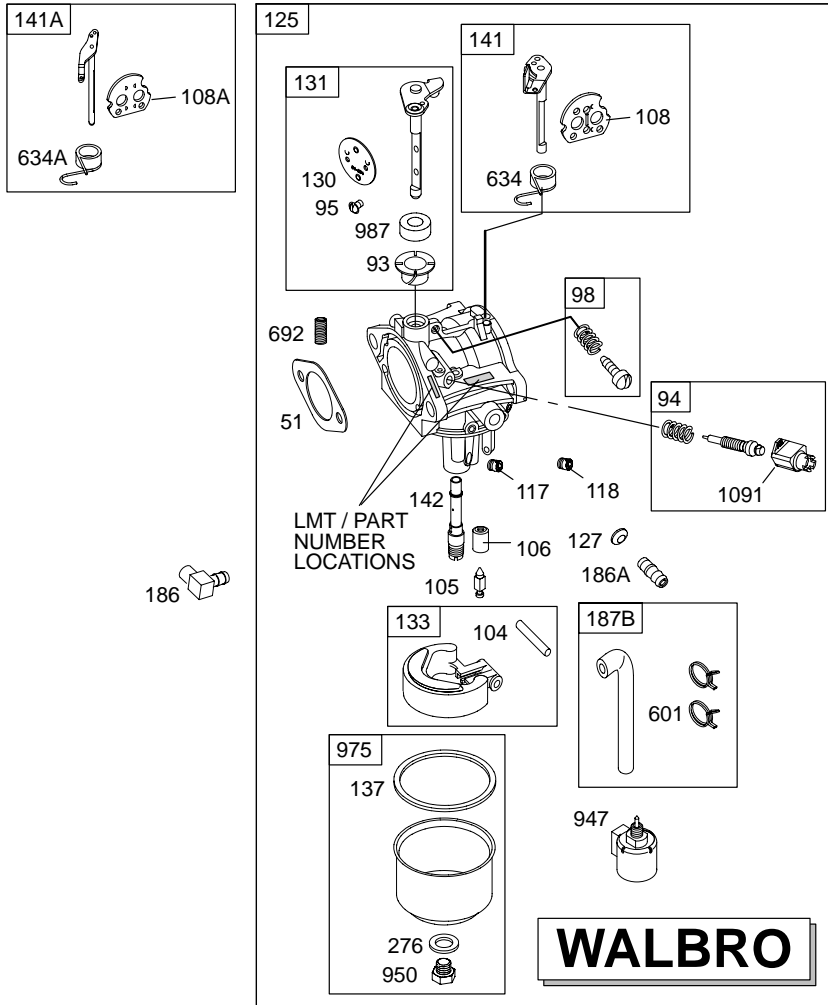
COPYRIGHT by BRIGGS & STRATTON CORPORATION  
All rights reserved. No part of this material may be reproduced or transmitted, in any form or by any means, electronic or mechanical, including photocopying, recording or by any information storage and retrieval system, without permission in writing from Briggs & Stratton Corporation.



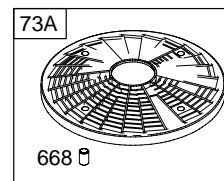
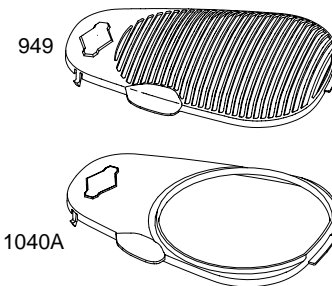
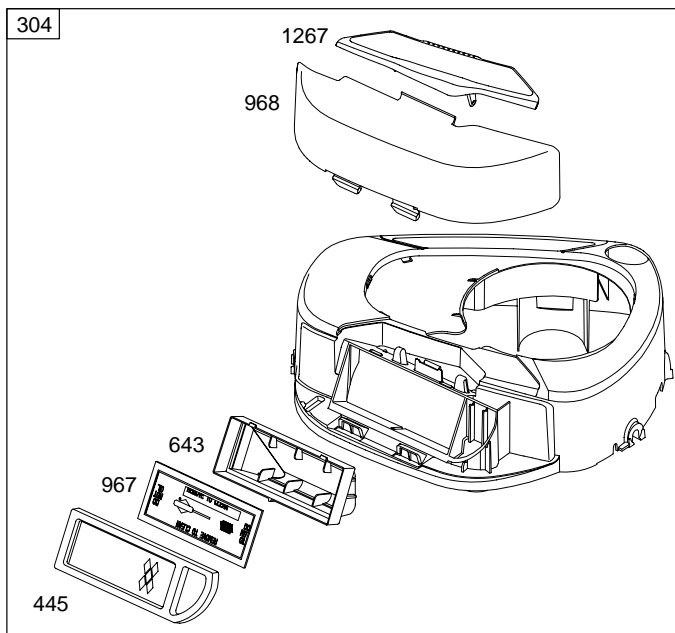
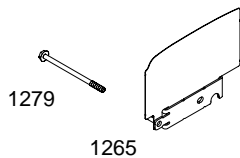
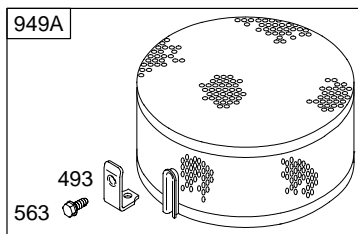


Illustrations cover a range of engines. Parts shown without corresponding text may not be used on your specific engine.  
 5330-3 Assemblies include all parts shown in frames. 08/31/2004

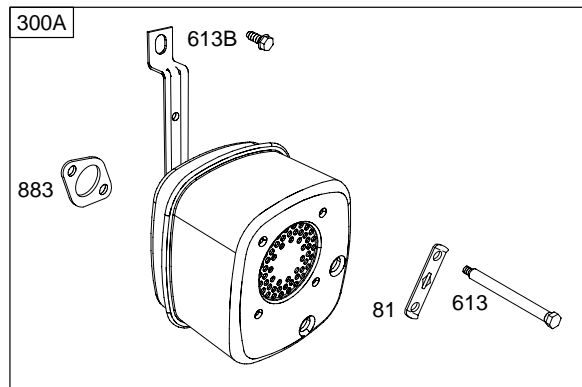
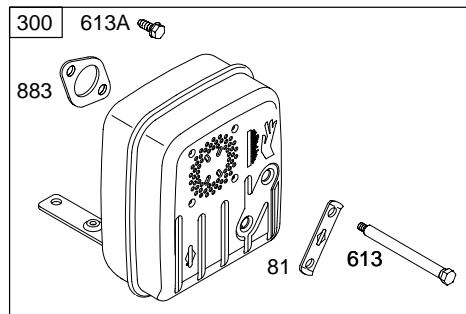
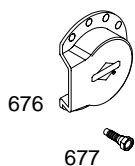
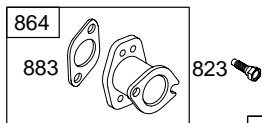
# 28CH00

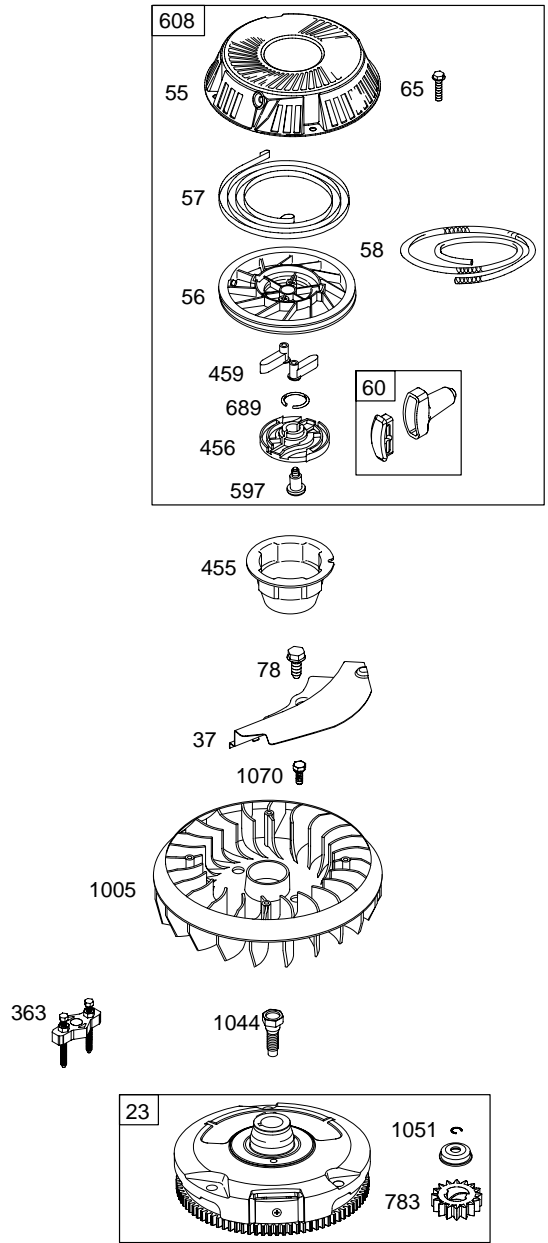


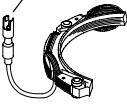

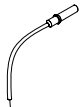
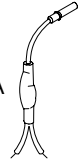
Illustrations cover a range of engines. Parts shown without corresponding text may not be used on your specific engine.  
 5330-4 Assemblies include all parts shown in frames. 08/31/2004




1036 EMISSION LABEL



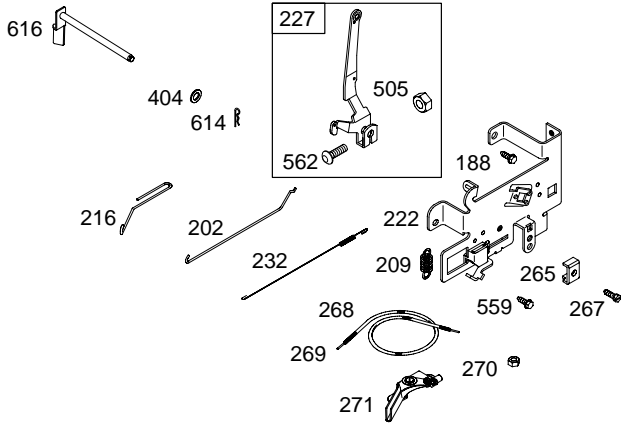
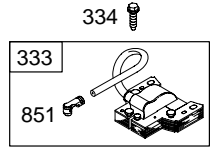
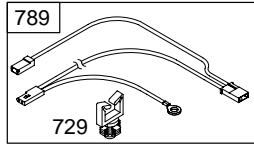
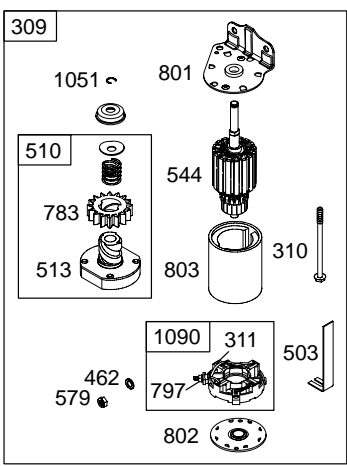


DC ONLY	TRI CIRCUIT
474 877A 	474B 1059 877B 
578 	878A 



**NOTE:** All stators use a No. 1119 mounting screw. 

**NOTE:** The proper flywheel part number and/or the alternator magnet size will determine the alternator type or output. See repair instruction manual for additional information.



# 28CH00

REF. NO.	PART NO.	DESCRIPTION	REF. NO.	PART NO.	DESCRIPTION	REF. NO.	PART NO.	DESCRIPTION		
1	697132	Cylinder Assembly	28	697099	Pin-Piston (Standard)	94	498030	Kit-Idle Mixture		
2	399265	Kit-Bushing/Seal (Magneto Side)	29	697518	Rod-Connecting (Standard)	95	●691636	Screw (Throttle Valve)		
3	★391086	Seal-Oil (Magneto Side)				98	495800	Kit-Idle Speed		
4A	697188	Sump-Engine				104	●690525	Pin-Float Hinge		
5	698404	Head-Cylinder				105	●231855	Valve-Float Needle		
7	Δ★273280	Gasket-Cylinder Head				106	●690577	Seat-Inlet (Gravity Feed)		
9	★697109	Gasket-Breather	32	692852	Screw (Connecting Rod)			Used on Type No(s). 0110, 0111.		
10	697157	Screw (Breather Assembly)	33	698370	Valve-Exhaust			————— <b>Note</b> —————		
11	697113	Tube-Breather	34	695761	Valve-Intake			●691780 Seat-Inlet (Pump Feed)		
12	★697110	Gasket-Crankcase	35	691279	Spring-Valve (Intake)			Used on Type No(s). 0036.		
13	690360	Screw (Cylinder Head)	36	691279	Spring-Valve (Exhaust)	108	690464	Valve-Choke (LMT 697204, 697205)		
15	690946	Plug-Oil Drain	37	697108	Guard-Flywheel Used on Type No(s). 0036, 0110.	108A	692344	Valve-Choke (LMT 696179, 696181, 697202, 697203)		
16	697516	Crankshaft						————— <b>Note</b> —————		
20	★690947	Seal-Oil (PTO Side)				117	●694352	Jet-Main (Standard)		
22	692125	Screw (Crankcase Cover/ Sump)				118	697228	Jet-Main (High Altitude)		
23	693556	Flywheel Used on Type No(s). 0036, 0110.				121	697241	Kit-Carburetor Overhaul		
		————— <b>Note</b> —————	42	499586	Keeper-Valve	125	698445	Carburetor (Gravity Feed) Used on Type No(s). 0110, 0111.		
		693557 Flywheel Used on Type No(s). 0111.	43	691968	Slinger-Governor/Oil			————— <b>Note</b> —————		
24	222698	Key-Flywheel	45	690564	Tappet-Valve			699937 Carburetor (Pump Feed) Used on Type No(s). 0036.		
25	698390	Piston Assembly (Standard)	46	698492	Camshaft	127	●695005	Plug-Welch		
		————— <b>Note</b> —————	50	690193	Manifold-Intake	130	691750	Valve-Throttle		
		698393 Piston Assembly (.010" Oversize)	51Δ★●692137	Gasket-Intake	57	695131	Spring-Rewind Starter			
		698394 Piston Assembly (.020" Oversize)	53	690227	Stud (Carburetor)	58	695132	Rope-Starter		
		698395 Piston Assembly (.030" Oversize)	54	691148	Screw (Intake Manifold)	60	494212	Grip-Starter Rope		
26	698389	Ring Set (Standard)	55	695130	Housing-Rewind Starter	65	697725	Screw (Rewind Starter)		
		————— <b>Note</b> —————	73A	494439	Screen-Rotating Used on Type No(s). 0110.			141A	495931	Kit-Choke Shaft (LMT 697204, 697205)
		698396 Ring Set (.010" Oversize)	74	691674	Screw (Rotating Screen)	141A	495931	Kit-Choke Shaft (LMT 696179, 696181, 697202, 697203)		
		698397 Ring Set (.020" Oversize)	78	691003	Screw (Flywheel Guard)	142	●697140	Nozzle-Carburetor (Standard)		
		698398 Ring Set (.030" Oversize)	81	691178	Lock-Muffler Screw	146	691639	Key-Timing		
27	698469	Lock-Piston Pin	93	●690602	Bushing- Throttle Shaft	186	692317	Connector-Hose (90 Degree)		
						186A	698174	Connector-Hose (Straight)		

★ Included in Engine Gasket Set-Ref. No.358.

● Included in Carburetor Overhaul Kit-Ref. No. 121.

◆ Included in Carburetor Gasket Set-Ref. No. 977.

Δ Included in Valve Gasket Set-Ref. No 1095.

*Illustrations cover a range of engines. Parts shown without corresponding text may not be used on your specific engine.*



2	REF. NO.	PART NO.	DESCRIPTION	REF. NO.	PART NO.	DESCRIPTION	REF. NO.	PART NO.	DESCRIPTION
	187	691050	Line–Fuel (Cut To Required Length)	269	691026	Wire–Control (Cut To Required Length)	415	690283	Plug (Crankcase Cover/ Sump)
	187B	698417	Line–Fuel (Formed)(10 1/4 Inches Long)(Cut to Required Length)	270	691027	Nut (Control Wire Casing)	431	697122	Elbow–Intake
	188	691693	Screw (Control Bracket)	271	691028	Lever–Control	445	697153	Filter–Air Cleaner Cartridge (Washable)
	192	691986	Adjuster–Rocker Arm	276	◆692255	Washer–Sealing	455	695113	Cup–Flywheel
	202	691841	Link–Mechanical Governor	300	697349	Muffler Used on Type No(s). 0036.	456	695128	Plate–Pawl Friction
	209	692208	Spring–Governor Used on Type No(s). 0036, 0111.	300A	698356	Muffler Used on Type No(s). 0111.	459	281505	Pawl–Ratchet
			<b>Note</b>	304	698420	Housing–Blower (Black) Used on Type No(s). 0036, 0110.	462	691261	Washer (Starter Cable)
			690480 Spring– Governor Used on Type No(s). 0110.			<b>Note</b>	474	696578	Alternator (DC Only) Used on Type No(s). 0111.
	216	691840	Link–Choke			699704 Housing– Blower (Black) Used on Type No(s). 0111.	474B	696457	Alternator (Tri Circuit) Used on Type No(s). 0036, 0110.
	222	694042	Bracket–Control	305	697102	Screw (Blower Housing)	493	695450	Bracket–Mounting
	227	691374	Lever–Governor Control	305A	697103	Screw (Blower Housing)	501	691188	Regulator Used on Type No(s). 0036, 0110.
	232	691842	Spring–Governor Link	306	697107	Shield–Cylinder	503	691532	Strap–Starter
	238	691843	Cap–Valve	307	691003	Screw (Cylinder Shield)	505	691251	Nut (Governor Control Lever)
	240	394358	Filter–Fuel (White, 75 Microns) Used on Type No(s). 0110, 0111.	309	693551	Motor–Starter	510	693699	Drive–Starter
	240B	695666	Filter–Fuel (Includes 30 Micron Paper Element) Used on Type No(s). 0036.	310	690323	Bolt (Starter Motor)	513	692024	Clutch–Drive
	265	691024	Clamp–Casing	311	497608	Brush Set	523	699908	Dipstick
	267	690804	Screw (Casing Clamp)	333	492341	Armature–Magneto	524	★691032	Seal–Dipstick Tube
	268	691025	Casing–Control Wire (Cut To Required Length)	334	691061	Screw (Magneto Armature)	525	697085	Tube–Dipstick Used on Type No(s). 0036.
				337	491055	Plug–Spark			<b>Note</b>
				356	697089	Wire–Stop			697184 Tube–Dipstick Used on Type No(s). 0110, 0111.
				358	697151	Gasket Set–Engine	526	697088	Screw (Regulator)
				363	19203	Puller–Flywheel	544	692034	Armature–Starter
				383	89838	Wrench–Spark Plug	552	697144	Bushing–Governor Crank
				385	694476	Screw (Fuel Pump)	559	697561	Screw (Remote Choke Stop)
				385A	690297	Screw (Fuel Pump)	562	691119	Bolt (Governor Control Lever)
				387	697090	Pump–Fuel (Includes Mounting Bracket) Used on Type No(s). 0036.			
				387A	808656	Pump–Fuel			
				404	691691	Washer (Governor Crank)			

★ Included in Engine Gasket Set–Ref. No.358.

● Included in Carburetor Overhaul Kit–Ref. No. 121.

◆ Included in Carburetor Gasket Set–Ref. No. 977.

△ Included in Valve Gasket Set–Ref. No 1095.

**Illustrations cover a range of engines. Parts shown without corresponding text may not be used on your specific engine.**

# 28CH00

REF. NO.	PART NO.	DESCRIPTION	REF. NO.	PART NO.	DESCRIPTION	REF. NO.	PART NO.	DESCRIPTION
563	695449	Screw (Debris Screen Guard)	757	697607	Link-Counterweight	975	495933	Bowl-Float
578	692306	Wire Assembly	758	697134	Counterweight	977	690192	Gasket Set-Carburetor
579	691029	Nut (Starter Cable)	759	697392	Pin-Counterweight	987	●691326	Seal-Throttle Shaft
584	697112	Cover-Breather Passage	783	693713	Gear-Pinion	1005	697546	Fan-Flywheel Used on Type No(s). 0036.
597	691696	Screw (Pawl Friction Plate)	789	692037	Harness-Wiring			<b>Note</b>
601	95162	Clamp-Hose	797	693167	Nut (Brush Retainer)			697111 Fan-Flywheel Used on Type No(s). 0110.
608	695058	Starter-Rewind Used on Type No(s). 0111.	801	691283	Cap-Drive			697853 Fan-Flywheel Used on Type No(s). 0111.
613	691416	Screw (Muffler)	802	691286	Cap-End			
613A	690297	Screw (Muffler)	803	693757	Housing-Starter			
613B	691678	Screw (Muffler)	823	698941	Screw (Muffler Adapter)			
614	691620	Pin-Cotter	830	691095	Stud-Rocker Arm			
616	692012	Crank-Governor	842	★691031	Seal-O Ring (Dipstick Tube)	1017	690770	Screen-Oil Pump (Push In)
617	★●692138	Seal-O Ring (Intake Manifold)	847	790443	Dipstick/Tube Assembly Used on Type No(s). 0036.	1019	698414	Kit-Label
634	●690801	Spring/Seal Assembly (LMT 697204, 697205)			<b>Note</b>	1022	Δ★272475	Gasket-Rocker Cover
634A	●690802	Spring/Seal Assembly (LMT 696179, 696181, 697202, 697203)			790442 Dipstick/Tube Assembly Used on Type No(s). 0110, 0111.	1023	692492	Cover-Rocker
635	691909	Boot-Spark Plug	851	692424	Terminal-Spark Plug	1024	499054	Pump-Oil
643	698401	Retainer-Air Filter	864	697346	Adapter-Muffler	1026	692003	Rod-Push (Intake)
654	690958	Nut (Carburetor)	868	Δ★690968	Seal-Valve			<b>Note</b>
668	691500	Spacer	877A	393814	Wire/Connector- Alternator	1027	696854	Filter-Oil
676	393761	Deflector-Muffler	877B	393537	Wire/Connector- Alternator	1029	691751	Arm-Rocker
677	690661	Screw (Muffler Deflector)	878A	691955	Harness-Alternator	1032	491710	Ball-Oil Pump
689	691855	Spring-Friction	883	★692236	Gasket-Exhaust	1034	690822	Guide-Push Rod
691	★692407	Seal-Governor Shaft	914	691108	Screw (Rocker Cover)	1035	693784	Shaft-Pump
692	690572	Spring-Detent	918	697091	Hose-Vacuum (Formed) Used on Type No(s). 0036.	1036	790464	Label-Emissions (Used After Code Date 04063000).
697	690372	Screw (Drive Cap)	943	★690589	Seal-O Ring (Oil Pump Cover)			<b>Note</b>
718	690959	Pin-Locating	947	694393	Solenoid-Fuel	1040A	698470	Plate-Trim Used on Type No(s). 0110.
729	691335	Clip-Wire (Wire Saddle)	949	697729	Guard-Debris Screen	1044	698139	Screw (Flywheel)
729A	691224	Clip-Wire (Aluminum Coated Steel)	949A	695448	Guard-Debris Screen	1051	691265	Ring-Retaining
729B	694123	Clip-Wire (Nylon)	950	695407	Screw-Float Bowl (Bottom Of Bowl)	1054	280275	Tie-Cable
741	697128	Gear-Timing	965	499613	Cover-Oil Pump	1058	275935	Owner's Manual
750	691033	Screw (Oil Pump Cover)	967	697015	Filter-Pre Cleaner	1059	698516	Kit-Screw/Washer
			968	697574	Cover-Air Cleaner Used on Type No(s). 0036, 0110.	1070	690372	Screw (Flywheel Fan)
					<b>Note</b>	1090	691293	Retainer-Brush
					698403 Cover- Air Cleaner Used on Type No(s). 0111.	1091	691333	Cap-Limiter
						1095	691581	Gasket Set-Valve

★ Included in Engine Gasket Set-Ref. No.358.

● Included in Carburetor Overhaul Kit-Ref. No. 121.

◆ Included in Carburetor Gasket Set-Ref. No. 977.

Δ Included in Valve Gasket Set-Ref. No 1095.

*Illustrations cover a range of engines. Parts shown without corresponding text may not be used on your specific engine.*

REF. NO.	PART NO.	DESCRIPTION	REF. NO.	PART NO.	DESCRIPTION	REF. NO.	PART NO.	DESCRIPTION
1119	691183	Screw (Alternator)	1266	★●691917	Seal-O Ring (Intake Elbow)	1270	697156	Plug-AVS Counterweight
1263	697124	Reed-Breather	1266A	●697123	Seal-O Ring (Intake Elbow)	1279	691108	Screw (Blower Housing Support)
1264	697104	Screw (Breather Reed)	1267	697575	Latch-Blower Housing Used on Type No(s). 0036, 0110.	1330	272417	Repair Manual
1265	697125	Support-Blower Housing			<b>Note</b> <b>697419</b> Latch- Blower Housing Used on Type No(s). 0111.			

★ Included in Engine Gasket Set-Ref. No.358.

● Included in Carburetor Overhaul Kit-Ref. No. 121.

◆ Included in Carburetor Gasket Set-Ref. No. 977.

Δ Included in Valve Gasket Set-Ref. No 1095.

*Illustrations cover a range of engines. Parts shown without corresponding text may not be used on your specific engine.*