

28T700

Illustrated Parts List

Model Series

28T700

TYPE NUMBERS
1113, 1119, 1121,
1154, 1180.

TABLE OF CONTENTS

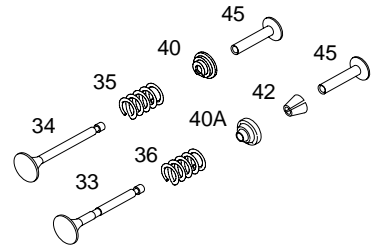
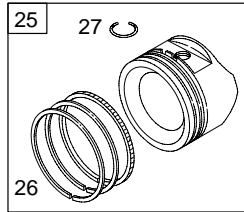
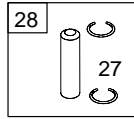
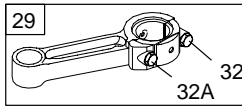
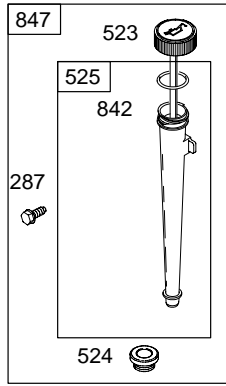
Air Cleaner	4
Alternator	5
Blower Housing/Shrouds	5
Cams	2
Carburetor	3
Controls	4
Crankcase Cover/Sump	2
Crankshaft	2
Cylinder	2
Electric Starter	6
Flywheel	5
Governor Spring	4
Head	2
Ignition	5
Kits/Gaskets-Carburetor	3
Kits/Gaskets-Valve	2
Oil	2
Piston Group	2
Valves	2

PRINTED IN U.S.A.



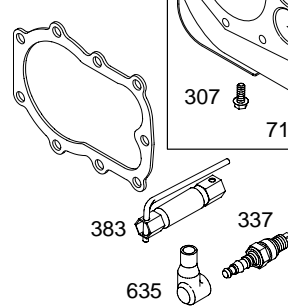
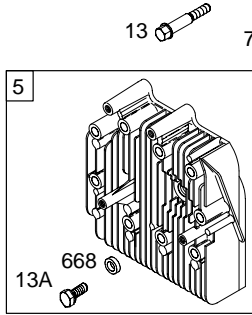
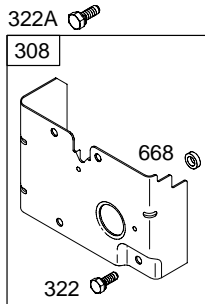
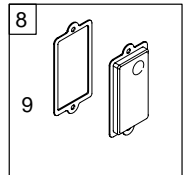
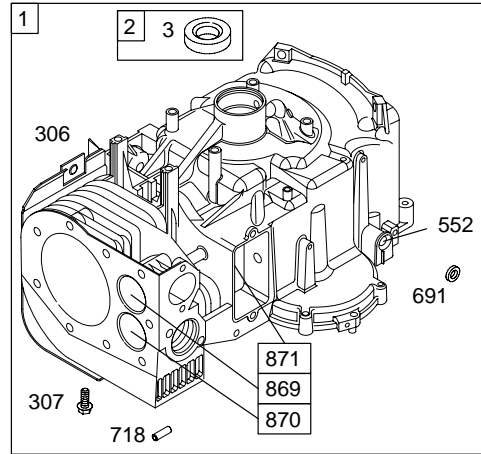
COPYRIGHT by BRIGGS & STRATTON CORPORATION
All rights reserved. No part of this material may be reproduced or transmitted,
in any form or by any means, electronic or mechanical, including photocopying,
recording or by any information storage and retrieval system, without permission
in writing from Briggs & Stratton Corporation.

28T700

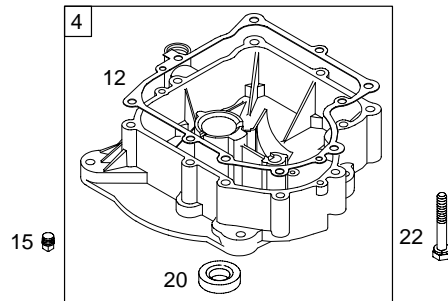
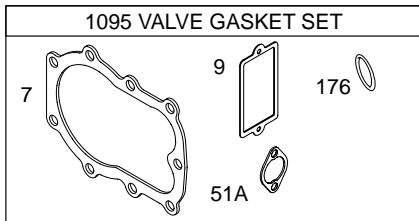
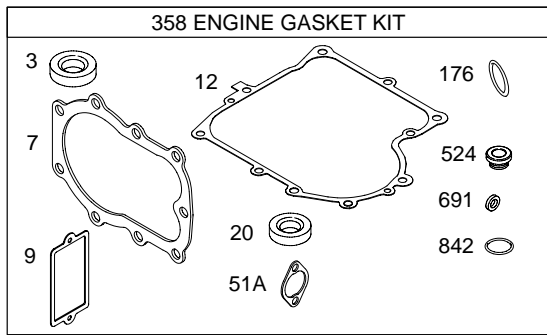
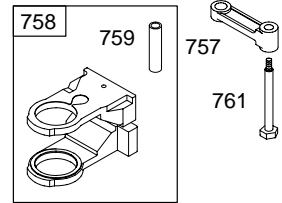
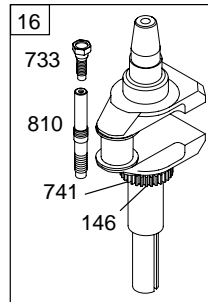


1019 LABEL KIT

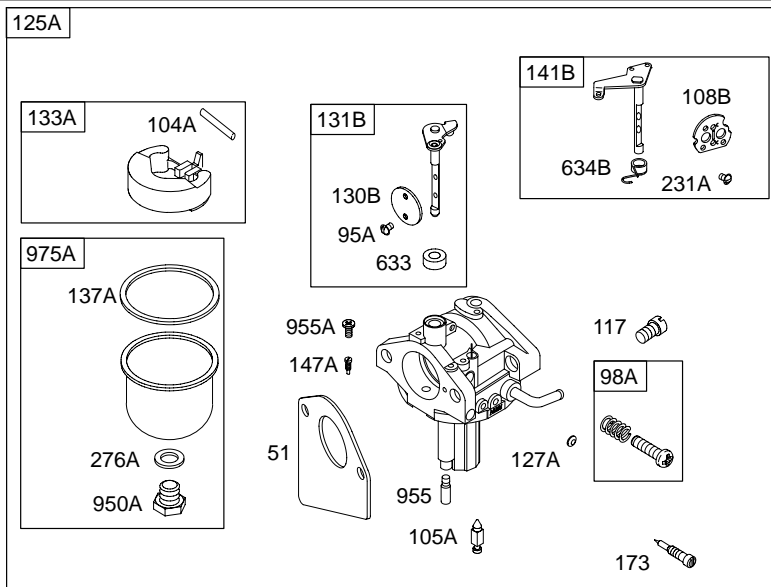
1058 OPERATOR'S MANUAL



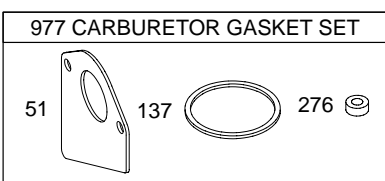
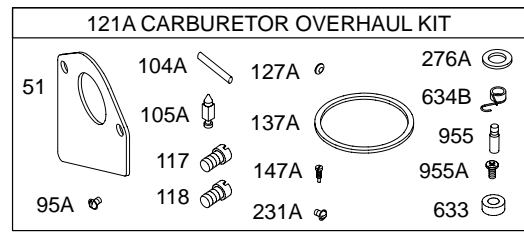
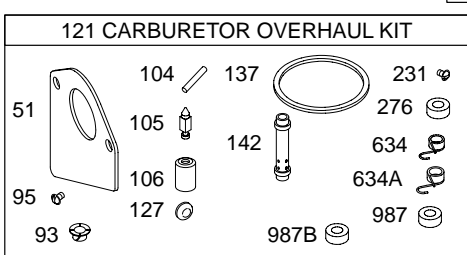
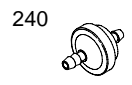
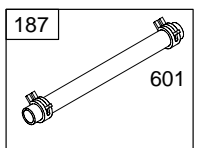
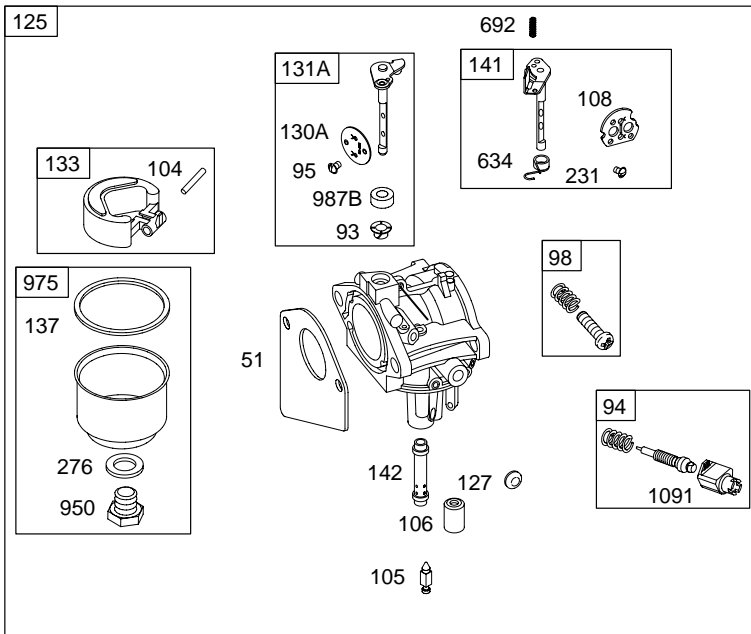
10



NIKKI

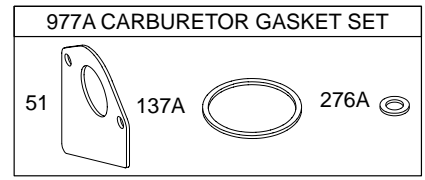


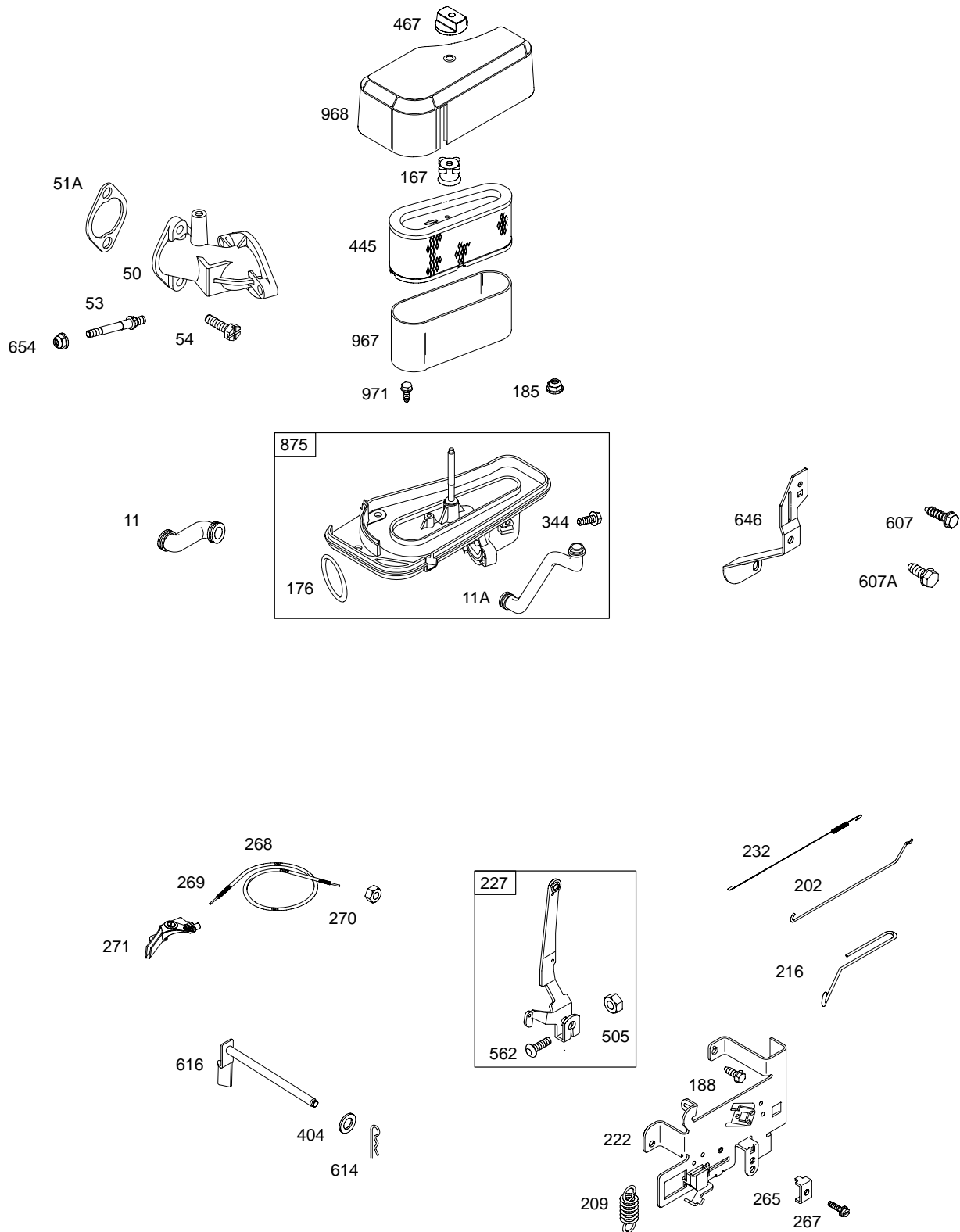
WALBRO



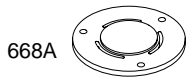
WALBRO

NIKKI





1036 EMISSION LABEL



668A

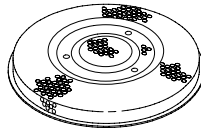


332



74

73A



75



455

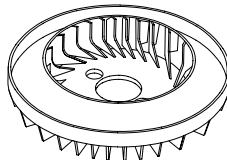


1006



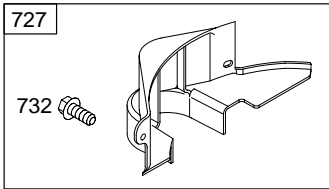
934

1005



727

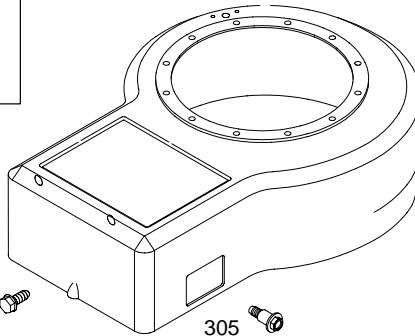
732



304

305A

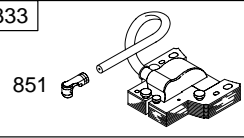
305



334



333



851

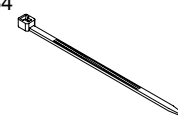
356



729



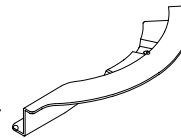
1054



78



37



DUAL
CIRCUIT

474A

877



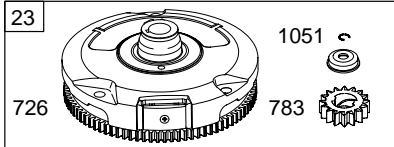
1059



878



23



726

783



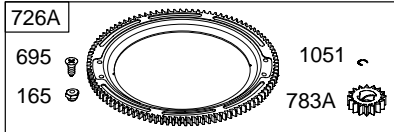
1051



363



726A



695

165

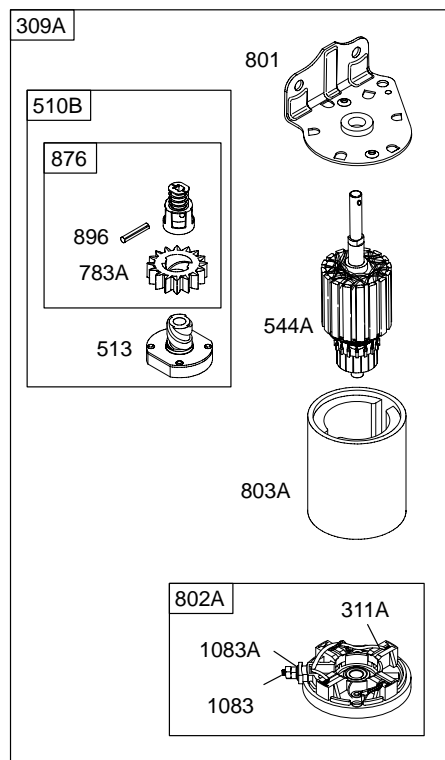
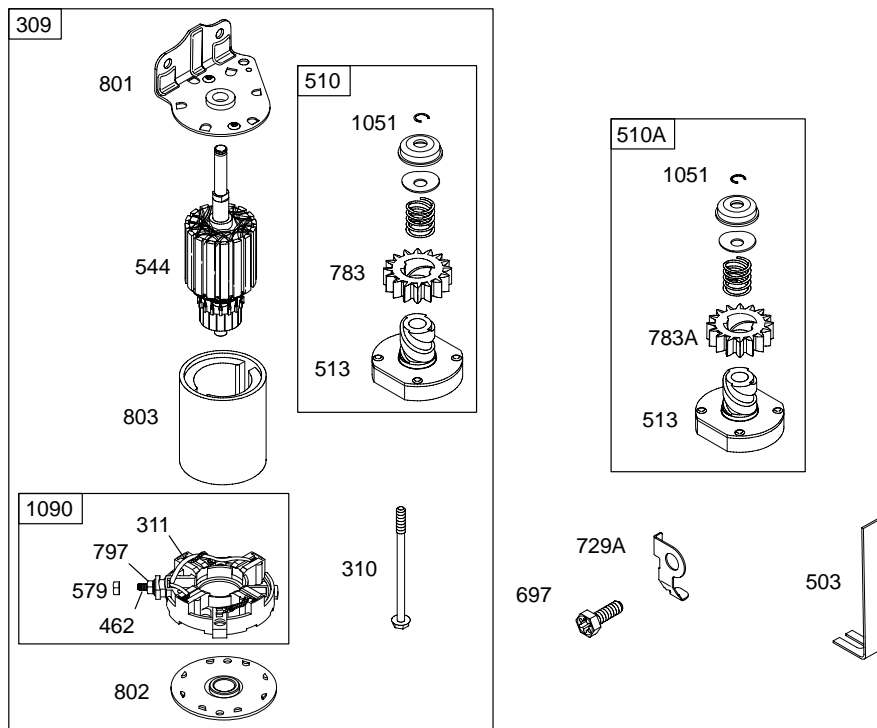
1051

783A



NOTE: All Stators Use No. 1119 Mounting Screw.





NOTE: For Replacement Starter Motor, See Reference 309.

REF. NO.	PART NO.	DESCRIPTION	REF. NO.	PART NO.	DESCRIPTION	REF. NO.	PART NO.	DESCRIPTION
1	496413	Cylinder Assembly	25	696397	Piston Assembly (Standard)	27	691299	Lock-Piston Pin
2	399265	Kit-Bushing/Seal (Magneto Side)			(Used After Code Date 01060600).	28	498319	Pin-Piston (Standard)
3	★391086	Seal-Oil (Magneto Side)			696399 Piston Assembly (.020" Oversize)			————— Note —————
4	494238	Sump-Engine			(Used After Code Date 01060600).	29	494504	498320 Pin-Piston (.005" Oversize)
5	494240	Head-Cylinder			696400 Piston Assembly (.030" Oversize)			495490 Rod-Connecting (.020" Undersize)
7	★Ø271866	Gasket-Cylinder Head			(Used After Code Date 01060600).			————— Note —————
8	495735	Breather Assembly			499284 Piston Assembly (Standard)	32	690356	495490 Rod-Connecting (.020" Undersize)
9	★Ø27803	Gasket-Breather			(Used Before Code Date 01060700).			690356 Screw (Connecting Rod) (1 7/8" Long)
10	691666	Screw (Breather Assembly)			499292 Piston Assembly (.020" Oversize)	32A	690348	690348 Screw (Connecting Rod) (1 5/8" Long)
11	692253	Tube-Breather			(Used Before Code Date 01060700).			33 262246 Valve-Exhaust
11A	691328	Tube-Breather			696404 Ring Set (.010" Oversize)	34	262247	34 262247 Valve-Intake
12	★692226	Gasket-Crankcase (.015" Thick)			(Used After Code Date 01060600).	35	691605	35 691605 Spring-Valve (Intake)
		————— Note —————			696405 Ring Set (.020" Oversize)	36	691597	36 691597 Spring-Valve (Exhaust)
		★692406 Gasket-Crankcase (.005" Thick)			(Used Before Code Date 01060700).	37	690456	37 690456 Guard-Flywheel
		★692405 Gasket-Crankcase (.009" Thick)			696406 Ring Set (.030" Oversize)	40	690656	40 690656 Retainer-Valve (Intake)
13	690904	Screw (Cylinder Head)	26	696403	Ring Set (Standard)	40A	691939	40A 691939 Retainer-Valve (Exhaust)
13A	691687	Screw (Cylinder Head)			(Used After Code Date 01060600).			42 494553 Keeper-Valve
15	690946	Plug-Oil Drain			696404 Ring Set (.010" Oversize)	43	691968	43 691968 Slinger-Governor/Oil
		————— Note —————			(Used After Code Date 01060600).	45	691811	45 691811 Tappet-Valve
		691680 Plug-Oil Drain Used on Type No(s). 1154.			696405 Ring Set (.020" Oversize)	46	697668	46 697668 Camshaft
16	693944	Crankshaft			(Used After Code Date 01060600).	50	691711	50 691711 Manifold-Intake
20	★291675	Seal-Oil (PTO Side)			696406 Ring Set (.030" Oversize)	51	◆692284	51 ◆692284 Gasket-Intake
22	692125	Screw (Crankcase Cover/Sump)			(Used After Code Date 01060600).	51A	★Ø272554	51A ★Ø272554 Gasket-Intake
23	693557	Flywheel (Steel Ring Gear)			499996 Ring Set (Standard)	53	690227	53 690227 Stud (Carburetor)
24	222698	Key-Flywheel			(Used Before Code Date 01060700).	54	690953	54 690953 Screw (Intake Manifold)
					392331 Ring Set (Standard Chrome)	73	691748	73 691748 Screen-Rotating
					(Used Before Code Date 01060700).	74	691655	74 691655 Screw (Rotating Screen)
					498998 Ring Set (.020" Oversize)	75	690582	75 690582 Washer (Flywheel)
					(Used Before Code Date 01060700).	78	690661	78 690661 Screw (Flywheel Guard)

★ Engine Gasket Set-Reference 358
● Carburetor Overhaul Kit-Reference 121

◆ Carburetor Gasket Set-Reference 977
Ø Valve Gasket Set-Reference 1095

28T700

REF. NO.	PART NO.	DESCRIPTION	REF. NO.	PART NO.	DESCRIPTION	REF. NO.	PART NO.	DESCRIPTION
93	690602	Bushing—Throttle Shaft	125	698171	Carburetor (696160, 696162, 696164, 696166, 697212, 697213, 697214, 697906)	202	691841	Link—Mechanical Governor
94	498030	Kit—Idle Mixture				209	690480	Spring—Governor (Red)
94A	494383	Kit—Idle Mixture						————— Note —————
95	●691636	Screw (Throttle Valve)						690576 Spring— Governor (Gold) Used on Type No(s). 1119, 1180.
95A	●690718	Screw (Throttle Valve)						691798 Spring— Governor (Brown) Used on Type No(s). 1113, 1121.
98	495800	Kit—Idle Speed						
98A	694907	Kit—Idle Speed						
104	●690525	Pin—Float Hinge						
104A	●694918	Pin—Float Hinge						
105	●231855	Valve—Float Needle						
105A	●694922	Valve—Float Needle						
106	●690577	Seat—Inlet (Gravity Feed)						
		————— Note —————	125A	694941	Carburetor (Nikki)	216	691840	Link—Choke
		●691780 Seat—Inlet (Pump Feed) (LMT 168, 169)	127	●695005	Plug—Welch	222	694042	Bracket—Control
108	690464	Valve—Choke (Manual Choke)	127A	●694916	Plug—Welch	227	691374	Lever—Governor Control
108A	692344	Valve—Choke (Choke A Matic)	130	690468	Valve—Throttle	231	●691636	Screw (Choke Valve)
108B	694923	Valve—Choke	130A	691750	Valve—Throttle	231A	●690718	Screw (Choke Valve)
117	●690880	Jet—Main (Standard)	130B	694917	Valve—Throttle	232	691842	Spring—Governor Link
118	●694925	Jet—Main (High Altitude)	131A	494379	Kit—Throttle Shaft	240	298090	Filter—Fuel
121	697884	Kit—Carburetor Overhaul (696160, 696162, 696164, 696166, 697212, 697213, 697214, 697906)	131B	694909	Kit—Throttle Shaft	265	691024	Clamp—Casing
		————— Note —————	133	494381	Float—Carburetor	267	690804	Screw (Casing Clamp)
		499220 Kit—Carburetor Overhaul (LMT 58, 59, 60, 61, 62, 92, 93, 94, 95, 96, 108, 111, 162, 165, 169)	133A	694914	Float—Carburetor	268	691025	Casing—Control Wire (Cut To Required Length)
121A	694930	Kit—Carburetor Overhaul (Nikki)	137	◆●281165	Gasket—Float Bowl	269	691026	Wire—Control (Cut To Required Length)
			137A	◆●694920	Gasket—Float Bowl	270	691027	Nut (Control Wire Casing)
			141	495097	Kit—Choke Shaft (Manual Choke)	271	691028	Lever—Control
			141A	495931	Kit—Choke Shaft (Choke A Matic)	276	◆●692255	Washer—Sealing
			141B	694913	Kit—Choke Shaft	276A	◆●690997	Washer—Sealing
			142	●691434	Nozzle—Carburetor (Standard)	287	691002	Screw (Dipstick Tube)
			142	497737	Nozzle—Carburetor (High Altitude)	304	690846	Housing—Blower
			146	691639	Key—Timing	305	692198	Screw (Blower Housing)
			147A	●694927	Jet—Pilot	305A	692127	Screw (Blower Housing)
			165	693148	Nut (Ring Gear)	306	698477	Shield—Cylinder
			167	692297	Seal—Air Cleaner Nut	307	691003	Screw (Cylinder Shield)
			173	694926	Valve—Idle Mixture	308	491490	Cover—Cylinder Head
			176	★∅691917	Seal—O Ring (Air Cleaner Base)			
			185	690958	Nut (Air Cleaner Base)			
			186	692317	Connector—Hose			
			187	691050	Line—Fuel (Cut To Required Length)			
			188	691693	Screw (Control Bracket)			

★ Engine Gasket Set—Reference 358
● Carburetor Overhaul Kit—Reference 121

◆ Carburetor Gasket Set—Reference 977
∅ Valve Gasket Set—Reference 1095

REF. NO.	PART NO.	DESCRIPTION	REF. NO.	PART NO.	DESCRIPTION	REF. NO.	PART NO.	DESCRIPTION
309	693551	Motor–Starter (3 5/8" Housing Length) (Steel Ring Gear Only) Note 497595 Motor–Starter (3 5/8" Housing Length) (Plastic Ring Gear Only) 693054 Motor–Starter (3 5/8" Housing Length) (Aluminum Ring Gear Only) 497401 Motor–Starter (4 3/8" Housing Length) (Plastic Ring Gear Only) 499521 Motor–Starter (4 3/8" Housing Length) (Aluminum Ring Gear Only)	344	693675	Screw (Cable Clamp)	607	690703	Screw (Air Cleaner Brace)
			356	690799	Wire–Stop	607A	691693	Screw (Air Cleaner Brace)
			358	494241	Gasket Set–Engine	614	691620	Pin–Cotter
			363	19203	Puller–Flywheel	616	692012	Crank–Governor
			383	89838	Wrench–Spark Plug	633	●690998	Seal–Choke/Throttle Shaft
			404	691691	Washer (Governor Crank)	634	●690801	Spring/Seal Assembly (Manual Choke)
			445	496894	Filter–Air Cleaner Cartridge	634A	●690802	Spring/Seal Assembly (Choke A Matic)
			455	691173	Cup–Flywheel	634B	●694912	Spring/Seal Assembly
			462	691261	Washer (Starter Cable)	635	66538	Boot–Spark Plug
			467	691668	Knob–Air Cleaner	646	690460	Brace–Air Cleaner
			474A	696459	Alternator (Dual Circuit)	654	690958	Nut (Carburetor)
			503	691532	Strap–Starter	668	690510	Spacer (Cylinder Head)
			505	691251	Nut (Governor Control Lever)	668A	691323	Spacer (Rotating Screen)
			510	693699	Drive–Starter (Used with Steel Ring Gear)	691	★692407	Seal–Governor Shaft
			510A	696541	Drive–Starter (Used with Aluminum and Plastic Ring Gears)	692	690572	Spring–Detent
			510B	696540	Drive–Starter	695	693109	Screw (Ring Gear)
309A		Motor–Starter (For Replacement Starter Motor, Order Reference 309)	513	692024	Clutch–Drive	697	690372	Screw (Drive Cap)
			523	692014	Dipstick	718	690959	Pin–Locating Gear–Ring (Steel)
			524	★281370	Seal–Dipstick Tube	726		(Sold In Flywheel Kit, Reference 23, Only)
			525	691398	Tube–Dipstick			
			544	692034	Armature–Starter (3 5/8" Housing Length)	726A	696537	Gear–Ring (Aluminum) (Services Plastic Ring Gear Only)
			544A	390837	Armature–Starter (3 5/8" Housing Length)			
					Note 490309 Armature–Starter (4 3/8" Housing Length)	727	490324	Cover–Starter Drive
						729	690596	Clip–Wire
						729A	691224	Clip–Wire
						732	691002	Screw (Starter Drive Cover)
						733	691658	Screw (Crankshaft Extension)
			552	491986	Bushing–Governor Crank	741	691284	Gear–Timing
			562	691119	Bolt (Governor Control Lever)	757	691714	Link–Counterweight
						758	692423	Counterweight
			579	691029	Nut (Starter Cable)	759	691239	Pin–Counterweight
			601	95162	Clamp–Hose	761	691096	Screw (Counterweight)

★ Engine Gasket Set–Reference 358
● Carburetor Overhaul Kit–Reference 121

◆ Carburetor Gasket Set–Reference 977
⊘ Valve Gasket Set–Reference 1095

28T700

REF. NO.	PART NO.	DESCRIPTION	REF. NO.	PART NO.	DESCRIPTION	REF. NO.	PART NO.	DESCRIPTION
783	693713	Gear–Pinion (Steel Ring Gear Only)	875	696129	Base–Air Cleaner	1019	491252	Kit–Label
783A	695708	Gear–Pinion (Aluminum and Plastic Ring Gear Only)	876	696539	Kit–Pinion Spring	1036	696770	Label–Emissions (Used After Code Date 01093000).
797	693167	Nut (Brush Retainer)	877	393456	Wire/Connector– Alternator			Note
801	691283	Cap–Drive	878	691237	Harness–Alternator			695699 Label– Emissions (Used After Code Date 0070200 and Before Code Date 01100100).
802	691286	Cap–End	896	691641	Pin–Drive Retainer			695036 Label– Emissions (Used After Code Date 99093000 and Before Code Date 00070300).
802A	395537	Cap–End (3 5/8" Housing Length)	934	691058	Screw (Fan Retainer)			694325 Label– Emissions (Used After Code Date 99010300 and Before Code Date 99100100).
803	693757	Housing–Starter (3 5/8" Housing Length)	950	691657	Screw–Float Bowl			499362 Label– Emissions (Used Before Code Date 99010400).
803A	398159	Housing–Starter (3 5/8" Housing Length)	950A	694919	Screw–Float Bowl			
		Note	955	694924	Plug–Carburetor (Idle Chamber)			
		494205 Housing– Starter (4 3/8" Housing Length)	955A	694921	Plug–Carburetor (Pilot Jet)			
810	691779	Extension–Crankshaft	967	272403	Filter–Pre Cleaner			
842	691870	Seal–O Ring (Dipstick Tube)	968	691916	Cover–Air Cleaner			
847	496415	Dipstick/Tube Assembly	971	691108	Screw (Air Cleaner Base to Carburetor)			
851	493880	Terminal–Spark Plug	975	495933	Bowl–Float			
869	691802	Seat–Valve (Intake)	975A	694908	Bowl–Float			
870	691844	Seat–Valve (Exhaust)	977	690192	Gasket Set–Carburetor			
871	261961	Bushing–Valve Guide (Exhaust)	977A	694931	Gasket Set–Carburetor			
		Note	987	691326	Seal–Throttle Shaft			
		231218 Bushing–Valve Guide (Brass Intake Valve)	987B	692001	Seal–Throttle Shaft			
			1005	691905	Fan–Flywheel	1051	691265	Ring–Retaining
			1006	690452	Retainer–Fan	1054	280275	Tie–Cable
						1058	274787	Operator's Manual
						1059	698516	Kit–Screw/Washer (Alternator)
						1083	691626	Nut (End Cap)
						1083A	690958	Nut (End Cap) (Serrated)
						1090	691293	Retainer–Brush
						1091	691333	Cap–Limiter
						1095	498539	Gasket Set–Valve
						1119	691183	Screw (Alternator)

★ Engine Gasket Set–Reference 358
● Carburetor Overhaul Kit–Reference 121

◆ Carburetor Gasket Set–Reference 977
∅ Valve Gasket Set–Reference 1095