

28U700

Illustrated Parts List

Model Series

28U700

TYPE NUMBERS
1112, 1121, 1129,
1131, 1174, 1175.

TABLE OF CONTENTS

Air Cleaner	5
Alternator	7
Blower Housing/Shrouds	6
Cams	2
Carburetor	4
Controls	5
Crankcase Cover/Sump	2
Crankshaft	2
Cylinder	2
Electric Starter	7
Flywheel	6
Governor Spring	5
Head	3
Ignition	7
Kits/Gaskets-Carburetor	4
Kits/Gaskets-Valve	2
Oil	3
Piston Group	2
Rewind	6
Valves	3

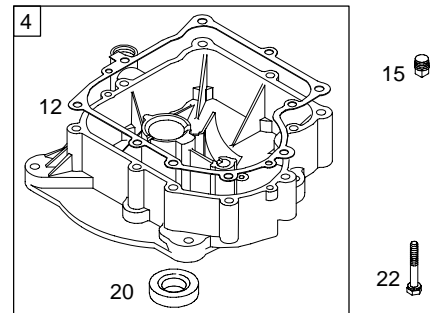
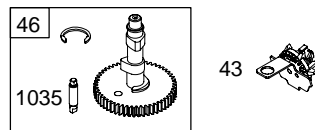
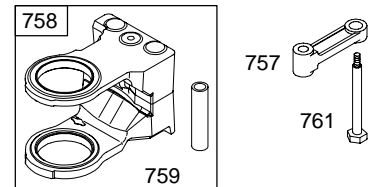
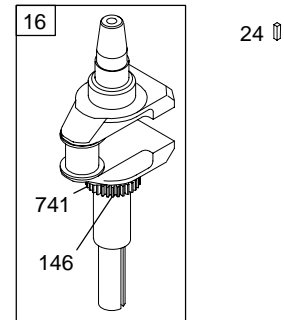
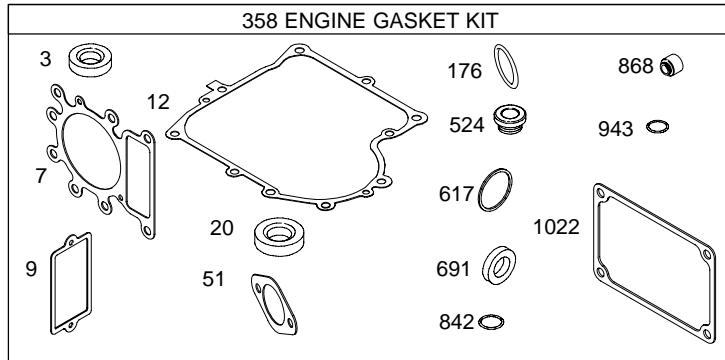
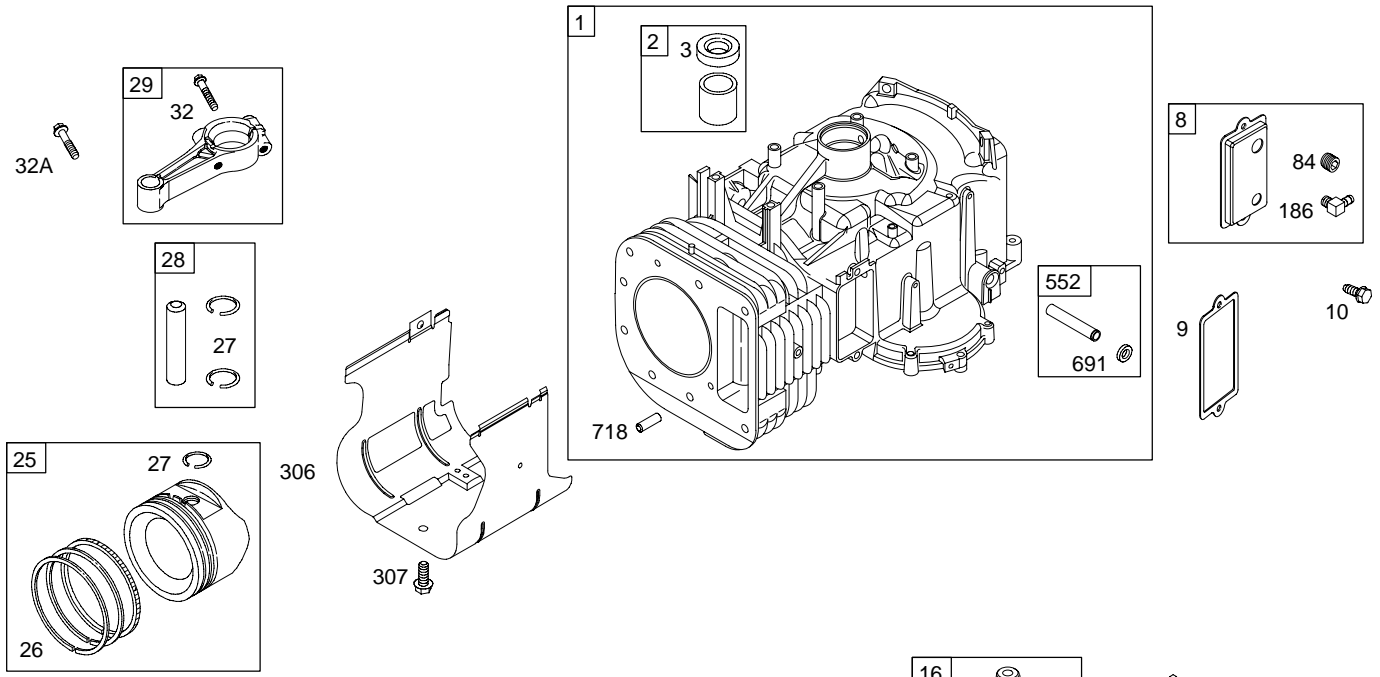
PRINTED IN U.S.A.

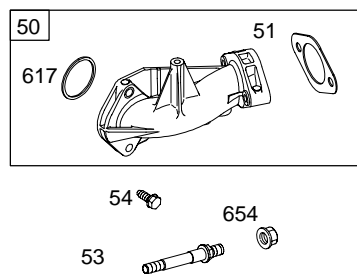
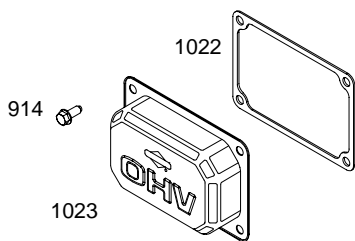
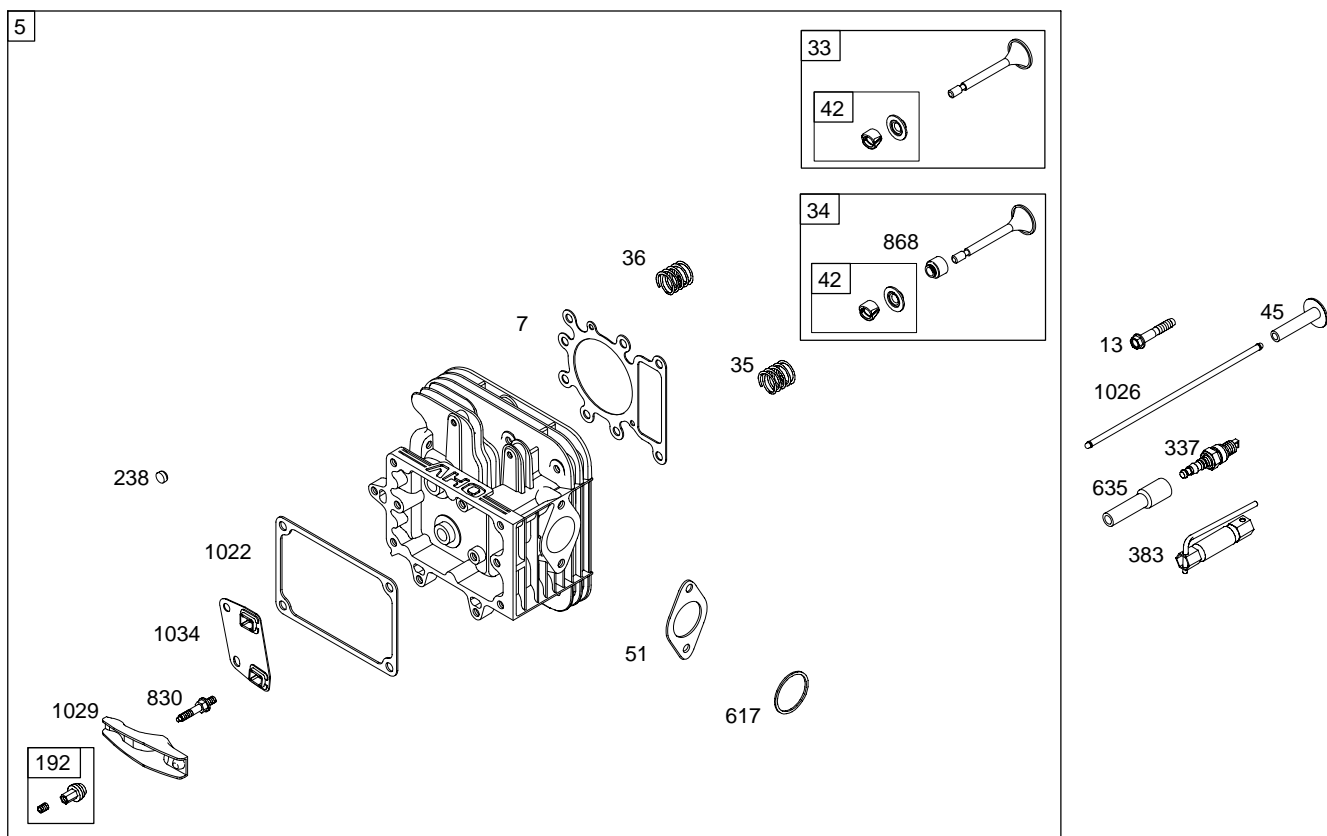
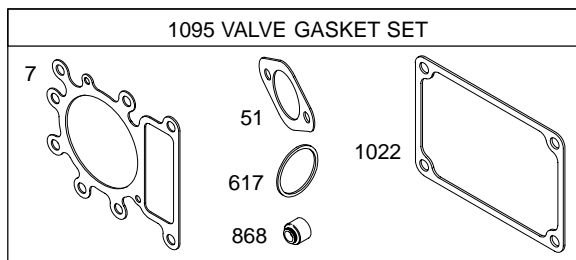
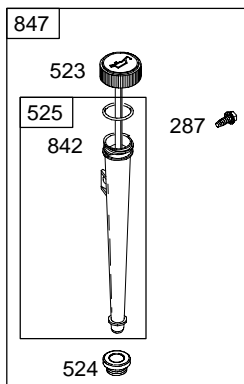


COPYRIGHT by BRIGGS & STRATTON CORPORATION
All rights reserved. No part of this material may be reproduced or transmitted,
in any form or by any means, electronic or mechanical, including photocopying,
recording or by any information storage and retrieval system, without permission
in writing from Briggs & Stratton Corporation.

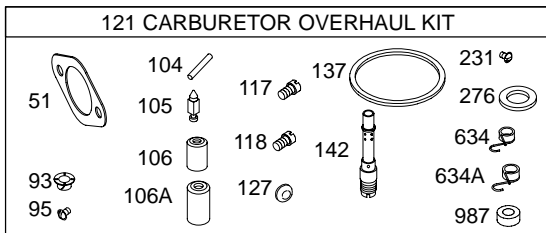
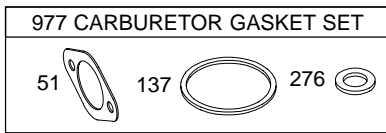
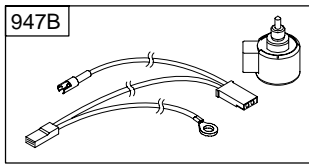
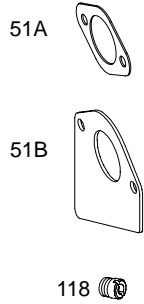
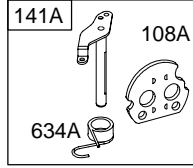
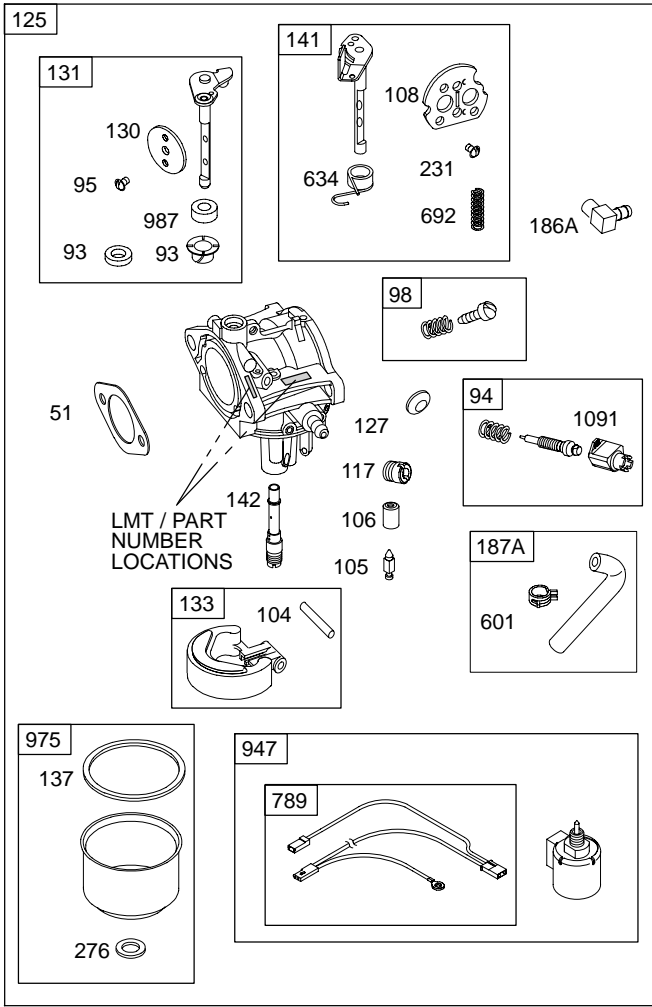
1058 OPERATOR'S MANUAL

1330 REPAIR MANUAL

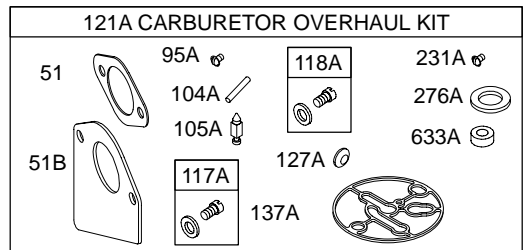
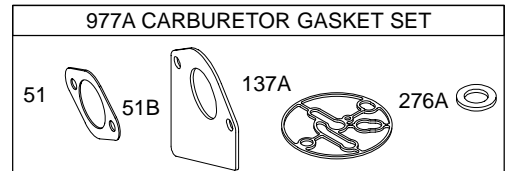
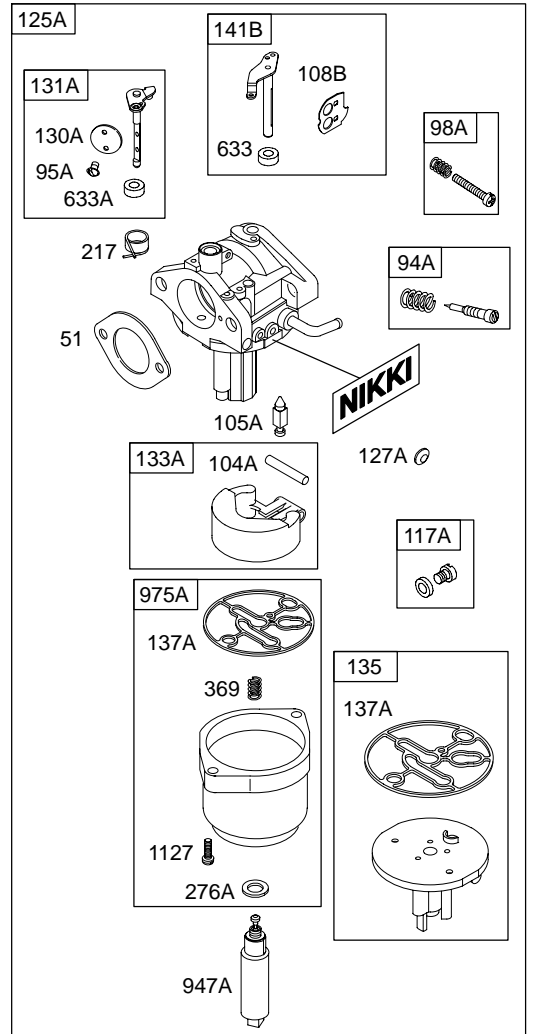


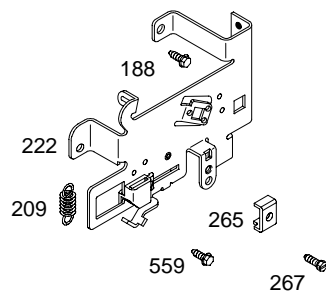
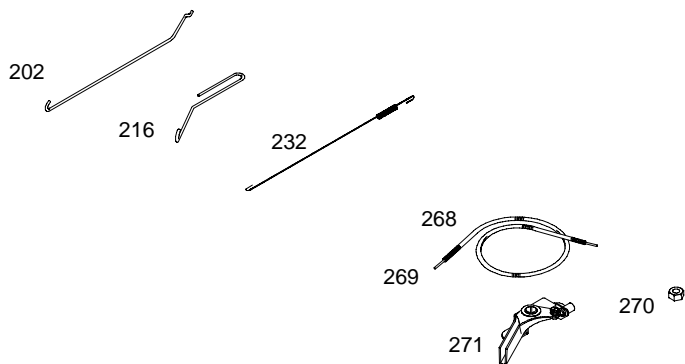
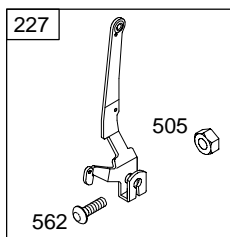
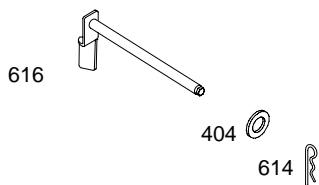
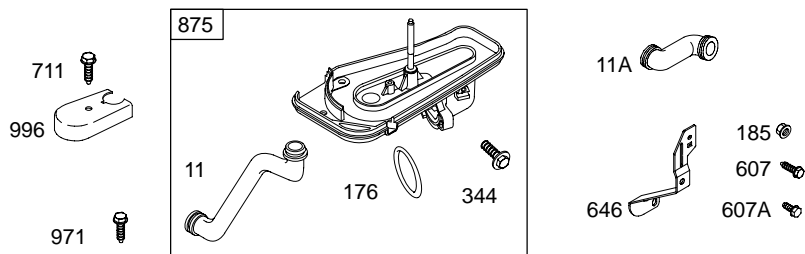
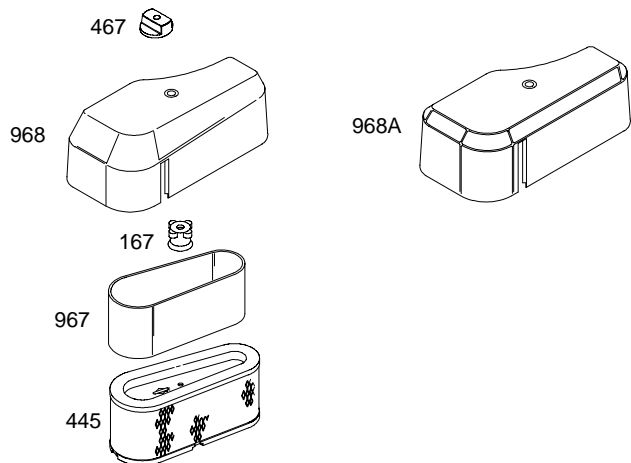


WALBRO



NIKKI

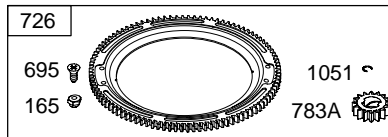
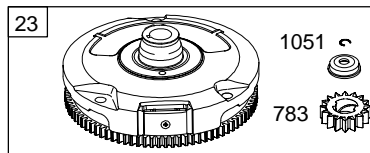
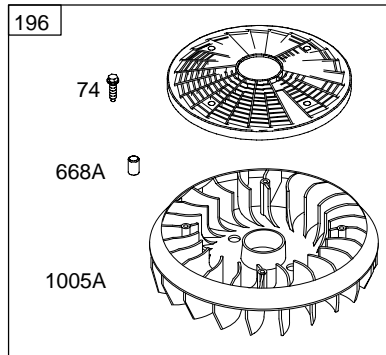
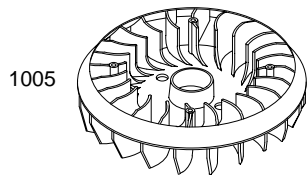
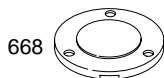
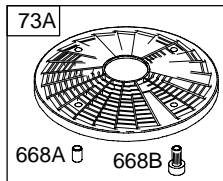
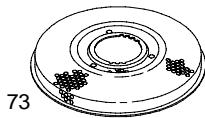
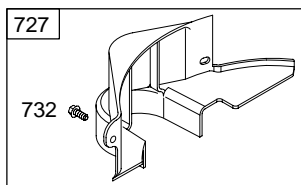
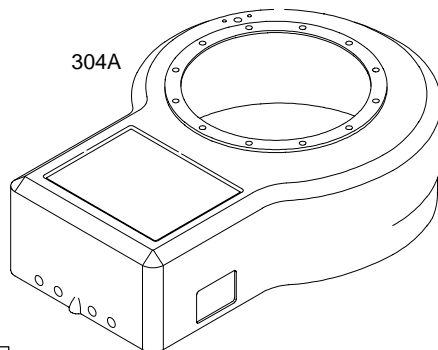
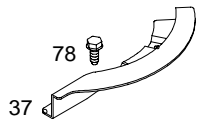
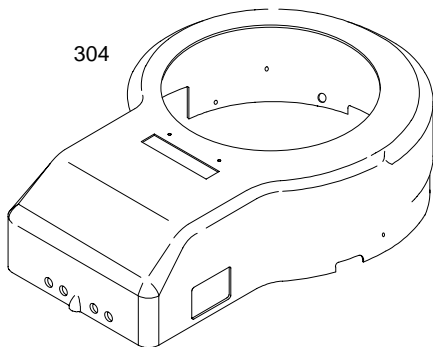


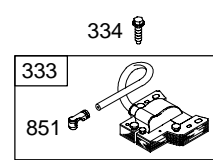
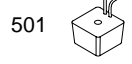
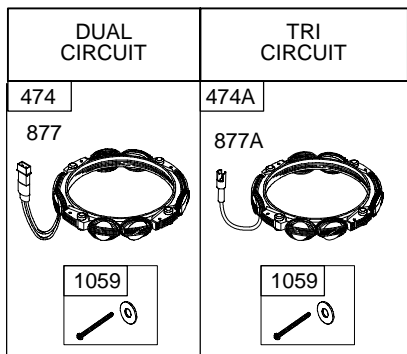


28U700

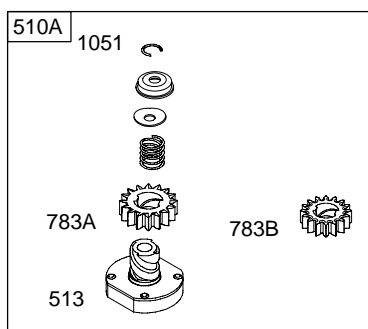
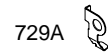
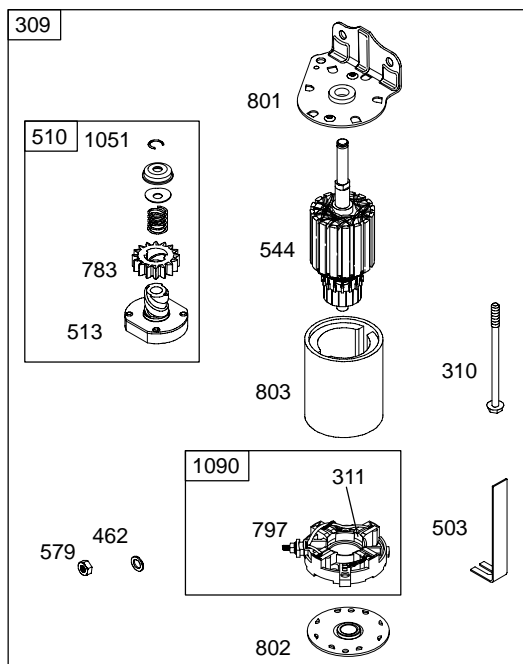
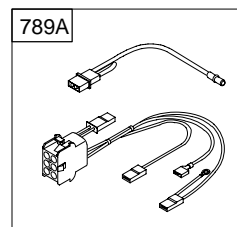
1019 LABEL KIT

1036 EMISSION LABEL





NOTE: ALL OLD STYLE STATORS USE REFERENCE NUMBER 1119 MOUNTING SCREW



28U700

REF. NO.	PART NO.	DESCRIPTION	REF. NO.	PART NO.	DESCRIPTION	REF. NO.	PART NO.	DESCRIPTION
1	496412	Cylinder Assembly	25	696397	Piston Assembly (Standard)	26	696403	Ring Set (Standard)
2	399265	Kit-Bushing/Seal (Magneto Side)			(Used After Code Date 01041800).			(Used After Code Date 01041800).
3	★391086	Seal-Oil			696398 Piston Assembly (.010" Oversize)			696404 Ring Set (.010" Oversize)
4	494238	Sump-Engine			(Used After Code Date 01041800).			(Used After Code Date 01041800).
5	698148	Head-Cylinder			696399 Piston Assembly (.020" Oversize)			696405 Ring Set (.020" Oversize)
7	Δ★273280	Gasket-Cylinder Head			(Used After Code Date 01041800).			(Used After Code Date 01041800).
8	696126	Breather Assembly			696399 Piston Assembly (.020" Oversize)			696405 Ring Set (.020" Oversize)
9	★27803	Gasket-Breather			(Used After Code Date 01041800).			(Used After Code Date 01041800).
10	691666	Screw (Breather Assembly)			696400 Piston Assembly (.030" Oversize)			696406 Ring Set (.030" Oversize)
11	691328	Tube-Breather			(Used After Code Date 01041800).			(Used After Code Date 01041800).
11A	692253	Tube-Breather			696400 Piston Assembly (.030" Oversize)			696406 Ring Set (.030" Oversize)
12	★692226	Gasket-Crankcase (.015" Thick) (Standard)			(Used After Code Date 01041800).			(Used After Code Date 01041800).
		Note			499284 Piston Assembly (Standard)			Note
		★692406 Gasket-Crankcase (.005" Thick)			(Used Before Code Date 01041900).			495854 Ring Set (Standard)
		★692405 Gasket-Crankcase (.009" Thick)			499288 Piston Assembly (.010" Oversize)			(Used Before Code Date 01041900).
13	690360	Screw (Cylinder Head)			(Used Before Code Date 01041900).			495852 Ring Set (.010" Oversize)
15	690946	Plug-Oil Drain			499292 Piston Assembly (.020" Oversize)			(Used Before Code Date 01041900).
16	690136	Crankshaft			(Used Before Code Date 01041900).			495851 Ring Set (.020" Oversize)
20	★291675	Seal-Oil (PTO Side)			499296 Piston Assembly (.030" Oversize)			(Used Before Code Date 01041900).
22	692125	Screw (Crankcase Cover/Sump)			(Used Before Code Date 01041900).			495855 Ring Set (.030" Oversize)
23	693557	Flywheel (Steel Ring Gear) (Includes Steel Pinion Gear)			Used on Type No(s). 1112, 1121, 1174.			(Used Before Code Date 01041900).
		Note			693556 Flywheel (Steel Ring Gear) (Includes Steel Pinion Gear)			27 691299 Lock-Piston Pin
		Used on Type No(s). 1129, 1131, 1175.						28 498319 Pin-Piston (Standard)
24	222698	Key-Flywheel						Note
								498320 Pin-Piston (.005" Oversize)
								29 692419 Rod-Connecting (Standard)
								Note
								495490 Rod-Connecting (.020" Undersize)
								32 692852 Screw (Connecting Rod) (1 5/8" Long)
								32A 690348 Screw (Connecting Rod) (1 5/8" Long)
								(Used Before Code Date 99040600).
								Used on Type No(s). 1174, 1175.

★ Engine Gasket Set – Reference Number 358
 ● Carburetor Overhaul Kit – Reference Number 121

◆ Carburetor Gasket Set – Reference Number 977
 ∅ Valve Gasket Set – Reference Number 1095

REF. NO.	PART NO.	DESCRIPTION	REF. NO.	PART NO.	DESCRIPTION	REF. NO.	PART NO.	DESCRIPTION
33	695760	Valve-Exhaust	98	495800	Kit-Idle Speed	142	●692412	Nozzle-Carburetor (Standard)
34	695761	Valve-Intake	98A	695408	Kit-Idle Speed	146	691639	Key-Timing
35	691279	Spring-Valve (Intake)	104	●690525	Pin-Float Hinge	165	693148	Nut (Ring Gear)
36	691279	Spring-Valve (Exhaust)	104A	●694918	Pin-Float Hinge	167	692297	Seal-Air Cleaner Nut
37	690456	Guard-Flywheel	105	●231855	Valve-Float Needle	176	★691917	Seal-O Ring (Air Cleaner Base)
42	499586	Keeper-Valve	105A	●694922	Valve-Float Needle	185	690958	Nut (Air Cleaner Base)
43	691968	Slinger-Governor/Oil	106	●690577	Seat-Inlet	186	691609	Connector-Hose (Breather Assembly)
45	690564	Tappet-Valve	108	690464	Valve-Choke (LMT 155)	186A	692317	Connector-Hose (Carburetor)
46	698492	Camshaft	108A	692344	Valve-Choke (LMT 154)	187	691050	Line-Fuel (Cut To Required Length)
50	690193	Manifold-Intake	108B	695419	Valve-Choke	187A	697098	Line-Fuel (Formed) (3 1/2" Long)
51★●◆692137		Gasket-Intake	117	●692408	Jet-Main (Standard) (LMT 154, 155 and Carburetors 697481 and 697482)	188	691693	Screw (Control Bracket)
51A	272569	Gasket-Intake (Used Before Code Date 97100600). Used on Type No(s). 1174.	117A	●695415	Jet-Main (Standard)	192	691986	Adjuster-Rocker Arm
51B	692284	Gasket-Intake (Used Before Code Date 97100600). Used on Type No(s). 1174.	118	●692411	Jet-Main (High Altitude) (Carburetors 697481 and 697482)	196	695493	Fan/Screen Assembly
53	690227	Stud (Carburetor)	Note			202	691841	Link-Mechanical Governor
54	691148	Screw (Intake Manifold)	118A	●695416	Jet-Main (High Altitude)	209	692208	Spring-Governor
73	690492	Screen-Rotating Used on Type No(s). 1112, 1121.	121	690191	Kit-Carburetor Overhaul	216	691840	Link-Choke
73A	494439	Screen-Rotating	121A	695427	Kit-Carburetor Overhaul	217	695409	Spring-Choke Return
74	698425	Screw (Rotating Screen) (1 1/4" Long)	125	698620	Carburetor (Nikki)	222	694042	Bracket-Control
74A	691674	Screw (Rotating Screen) (1 1/2" Long)	125A		Carburetor (Service with Walbro Carburetor)	227	691374	Lever-Governor Control
74B	691655	Screw (Rotating Screen) (1/2" Long)	127	●695005	Plug-Welch	231	●691636	Screw (Choke Valve)
75	690582	Washer (Flywheel)	127A	●690727	Plug-Welch	232	691842	Spring-Governor Link
78	697561	Screw (Flywheel Guard)	130	691750	Valve-Throttle	238	691843	Cap-Valve
84	690343	Plug-Breather	130A	695418	Valve-Throttle	240	394358	Filter-Fuel (White)
93	●690602	Bushing-Throttle Shaft	131	494379	Kit-Throttle Shaft	265	691024	Clamp-Casing
94	498030	Kit-Idle Mixture	131A	695421	Kit-Throttle Shaft	267	690804	Screw (Casing Clamp)
94A	695425	Kit-Idle Mixture	133	494381	Float-Carburetor	268	691025	Casing-Control Wire (Cut To Required Length)
95	●691636	Screw (Throttle Valve)	133A	694914	Float-Carburetor	269	691026	Wire-Control (Cut To Required Length)
95A	●690718	Screw (Throttle Valve)	135	696142	Tube-Fuel Transfer			
			137	●◆281165	Gasket-Float Bowl			
			137A	●695426	Gasket-Float Bowl			
			141	495097	Kit-Choke Shaft (Manual Choke)			
			141A	495931	Kit-Choke Shaft (Choke A Matic)			
			141B	695420	Kit-Choke Shaft			

★ Engine Gasket Set - Reference Number 358

● Carburetor Overhaul Kit - Reference Number 121

◆ Carburetor Gasket Set - Reference Number 977

⊘ Valve Gasket Set - Reference Number 1095

28U700

REF. NO.	PART NO.	DESCRIPTION	REF. NO.	PART NO.	DESCRIPTION	REF. NO.	PART NO.	DESCRIPTION
270	691027	Nut (Control Wire Casing)	404	691691	Washer (Governor Crank)	633	695414	Seal-Choke/Throttle Shaft
271	691028	Lever-Control	445	496894	Filter-Air Cleaner Cartridge	633A	●690998	Seal-Choke/Throttle Shaft
276	●692255	Washer-Sealing	455	691173	Cup-Flywheel	634	●690801	Spring/Seal Assembly (Manual Choke)
276A	●695410	Washer-Sealing	462	691261	Washer (Starter Cable)	634A	●690802	Spring/Seal Assembly (Choke A Matic)
287	691002	Screw (Dipstick Tube)	467	691668	Knob-Air Cleaner	635	691909	Boot-Spark Plug
304	691399	Housing-Blower	474	696459	Alternator (Dual Circuit)	646	690460	Brace-Air Cleaner
304A	690844	Housing-Blower Used on Type No(s). 1121, 1121.	474A	696457	Alternator (Tri-Circuit)	654	690958	Nut (Carburetor)
305	690960	Screw (Blower Housing) (5/8" Long)	493	694475	Bracket-Mounting (Regulator)	668	691323	Spacer
305A	692127	Screw (Blower Housing) (13/16" Long)	493A	691177	Bracket-Mounting (Regulator)	668A	691215	Spacer (Rotating Screen)
306	698454	Shield-Cylinder	501	691188	Regulator	668B	691500	Spacer (Rotating Screen)
307	691003	Screw (Cylinder Shield)	503	691532	Strap-Starter	691	★692407	Seal-Governor Shaft
309	693551	Motor-Starter (3 5/8" Housing Length) (Steel Ring Gear Only)	505	691251	Nut (Governor Control Lever)	692	690572	Spring-Detent
		Note	510	693699	Drive-Starter (Used With Steel Ring Gear)	695	693109	Screw (Ring Gear)
		497595 Motor-Starter (3 5/8" Housing Length) (Plastic Ring Gear Only)	510A	497606	Drive-Starter (Used With Aluminum And Plastic Ring Gears)	697	690372	Screw (Drive Cap)
		693054 Motor-Starter (3 5/8" Housing Length) (Aluminum Ring Gear Only)	513	692024	Clutch-Drive	711	690703	Screw (Carburetor Shield)
310	690323	Bolt (Starter Motor)	523	692014	Dipstick	718	690959	Pin-Locating
311	497608	Brush Set	524	★281370	Seal-Dipstick Tube	726	399676	Gear-Ring
333	495859	Armature-Magneto	525	691398	Tube-Dipstick	727	490324	Cover-Starter Drive
334	691061	Screw (Magneto Armature)	526	694476	Screw (Regulator)	729	691335	Clip-Wire (Wiring Harness)
337	491055	Plug-Spark	544	692034	Armature-Starter	729A	691224	Clip-Wire
		Note	552	491986	Bushing-Governor Crank	732	691002	Screw (Starter Drive Cover)
		691043 Plug-Spark Used on Type No(s). 1121, 1131.	559	697561	Screw (Remote Choke Stop)	741	691284	Gear-Timing
344	693675	Screw (Cable Clamp)	562	691119	Bolt (Governor Control Lever)	757	691714	Link-Counterweight
358	691580	Gasket Set-Engine	579	691029	Nut (Starter Cable)	758	692423	Counterweight
363	19203	Puller-Flywheel	601	95162	Clamp-Hose	759	691239	Pin-Counterweight
369	695422	Spring-Float Bowl	607	690703	Screw (Air Cleaner Brace) (7/16" Long)	761	691096	Screw (Counterweight)
383	89838	Wrench-Spark Plug	607A	691693	Screw (Air Cleaner Brace) (3/8" Long)	783	693713	Gear-Pinion (Steel Ring Gear Only)
			614	691620	Pin-Cotter	783A	693059	Gear-Pinion (Aluminum Ring Gear Only)
			616	692012	Crank-Governor	783B	693058	Gear-Pinion (Plastic Ring Gear Only)
			617	Δ★692138	Seal-O Ring (Intake Manifold)	789	692037	Harness-Wiring
						789A	698329	Harness-Wiring
						797	693167	Nut (Brush Retainer) (Serrated)

★ Engine Gasket Set - Reference Number 358

● Carburetor Overhaul Kit - Reference Number 121

◆ Carburetor Gasket Set - Reference Number 977

⊗ Valve Gasket Set - Reference Number 1095

REF. NO.	PART NO.	DESCRIPTION	REF. NO.	PART NO.	DESCRIPTION	REF. NO.	PART NO.	DESCRIPTION
801	691429	Cap-Drive	977	690192	Gasket Set-Carburetor	1034	690822	Guide-Push Rod
802	691286	Cap-End	977A	695428	Gasket Set-Carburetor	1035	693784	Shaft-Pump
803	693757	Housing-Starter	987	●691326	Seal-Throttle Shaft	1036	695700	Label-Emission
813	690635	Clamp	996	690678	Shield-Carburetor			(Used After Code Date 00063000).
830	691095	Stud (Rocker Arm)	1005	697853	Fan-Flywheel (Used After Code Date 02050800).			Note _____
842	★691870	Seal-O Ring			Used on Type No(s). 1112, 1121, 1129, 1131, 1174, 1175.			694997 Label-Emission
847	496415	Dipstick/Tube Assembly						(Used After Code Date 99093000 and Before Code Date 00070100).
851	692424	Terminal-Spark Plug			Note _____			694318 Label-Emission
868	Δ★690968	Seal-Valve			695056 Fan-Flywheel (Used After Code Date 00083100 and Before Code Date 02050900). Used on Type No(s). 1112, 1121.			(Used Before Code Date 99100100 and After Code Date 98123100).
875	696129	Base-Air Cleaner						499364 Label-Emission
877	393456	Wire/Connector-Alternator (Dual Circuit)						(Used Before Code Date 99100100 and After Code Date 98123100).
877A	393537	Wire/Connector-Alternator (Tri-Circuit)	1005A	695492	Fan-Flywheel (Used After Code Date 00042300 and Before Code Date 02050900). Used on Type No(s). 1129, 1131, 1174, 1175.			1044 698139 Screw (Flywheel)
914	690960	Screw (Rocker Arm Cover)						1051 691265 Ring-Retaining
934	691058	Screw (Fan Retainer)						1058 275038 Operator's Manual
947	692734	Solenoid-Fuel						1059 698516 Kit-Screw/Washer (Alternator)
947A	695423	Solenoid-Fuel	1006	690452	Retainer-Fan			1090 691293 Retainer-Brush
947B	497672	Solenoid-Fuel (Choke A Matic)	1019	496758	Kit-Label			1091 691333 Cap-Limiter
967	272403	Filter-Pre Cleaner	1022	Δ★272475	Gasket-Rocker Cover			1095 691581 Gasket Set-Valve
968	691332	Cover-Air Cleaner	1023	691192	Cover-Rocker			1119 691183 Screw (Alternator)
968A	691916	Cover-Air Cleaner Used on Type No(s). 1112, 1121.	1026	692003	Rod-Push (Intake)			1127 695407 Screw (Float Bowl)
971	692129	Screw (Air Cleaner Base)			Note _____			1330 272147 Repair Manual
975	495933	Bowl-Float			692011 Rod-Push (Exhaust)			
975A	695417	Bowl-Float	1029	691751	Arm-Rocker			

★ Engine Gasket Set - Reference Number 358
● Carburetor Overhaul Kit - Reference Number 121

◆ Carburetor Gasket Set - Reference Number 977
∅ Valve Gasket Set - Reference Number 1095