

302400 to 302499

Illustrated Parts List

Model Series

302400 to 302499

TYPE NUMBERS
0010 through 0027
0110 through 0164

TO FIND

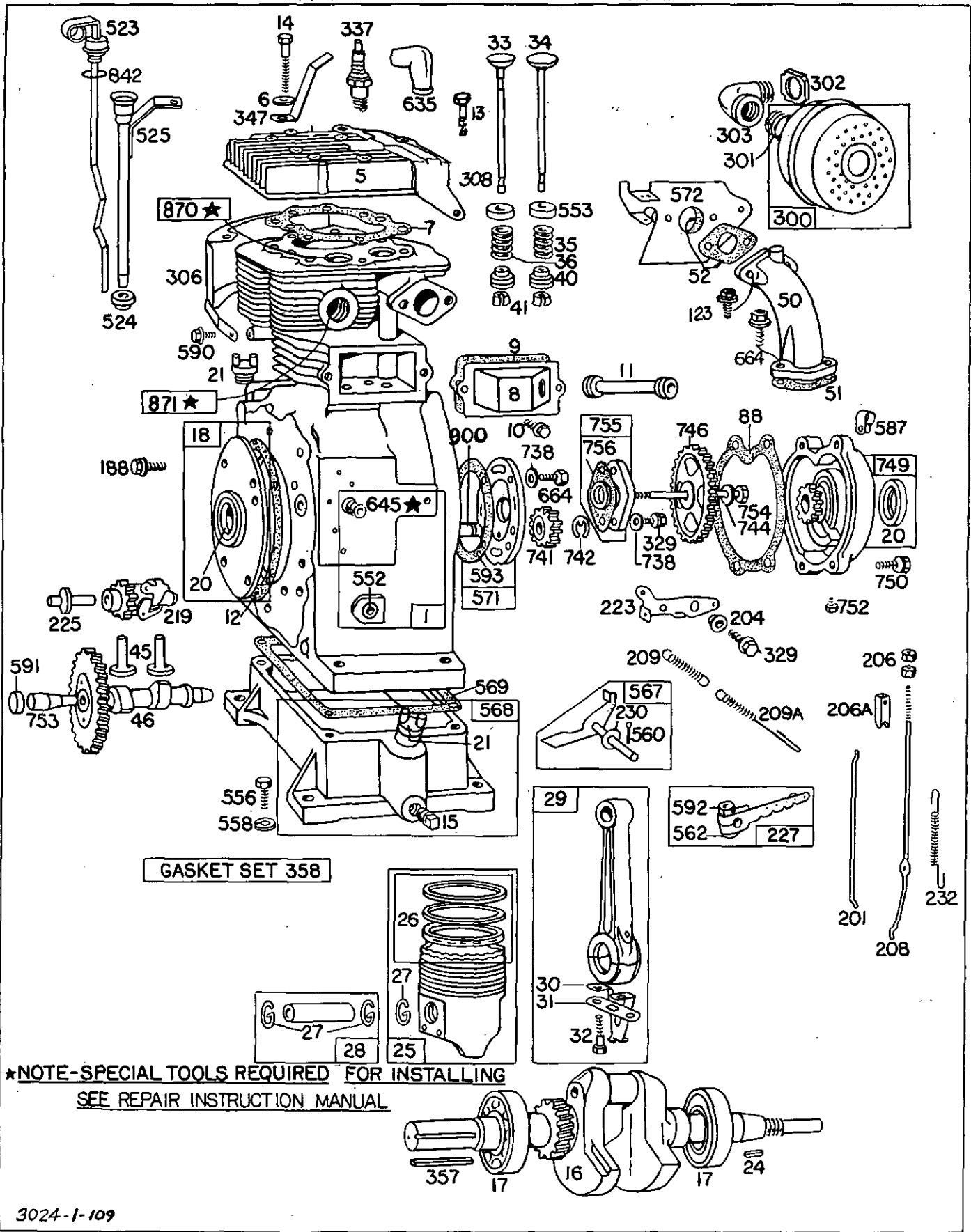
THE CORRECT NUMBER OF THE PART YOU NEED:

FOLLOW THE INSTRUCTIONS BELOW

- A. Refer to Engine Model, Type and Code Number that is stamped on the blower housing of engine. Engine type numbers such as 0123 01 are listed herein only as 0123. The two digits (01 or 02, etc.) to the right of the space are not needed for parts identification. Then use the Illustrated Parts List covering these Model Series.
- B. Refer to Illustrated Parts section and compare the old part with illustration. The number on the illustration is the Reference Number. Assemblies include all parts shown in frames. All parts shown in assembly frames on which individual reference numbers are given can be purchased separately.
- C. After the Reference Number has been identified, refer to the Numerical Parts List, where Reference and Master Part Numbers are listed. **THE MASTER PART IS USED ON ALL TYPE NUMBERS EXCEPT THOSE TYPE NUMBERS UNDER "NOTE"**.
- D. If a "Note" appears below the Master Part Number, this means that this part differs from the Master Part for certain types. If the Type Number is listed under "Note", order the part referred to.
- E. If the Engine Type Number does not appear after any part number listed under "Note", use the Master Part Number.
- F. For Type Numbers higher than those covered by this book, please refer to the factory if you are unable to identify the part by comparison.



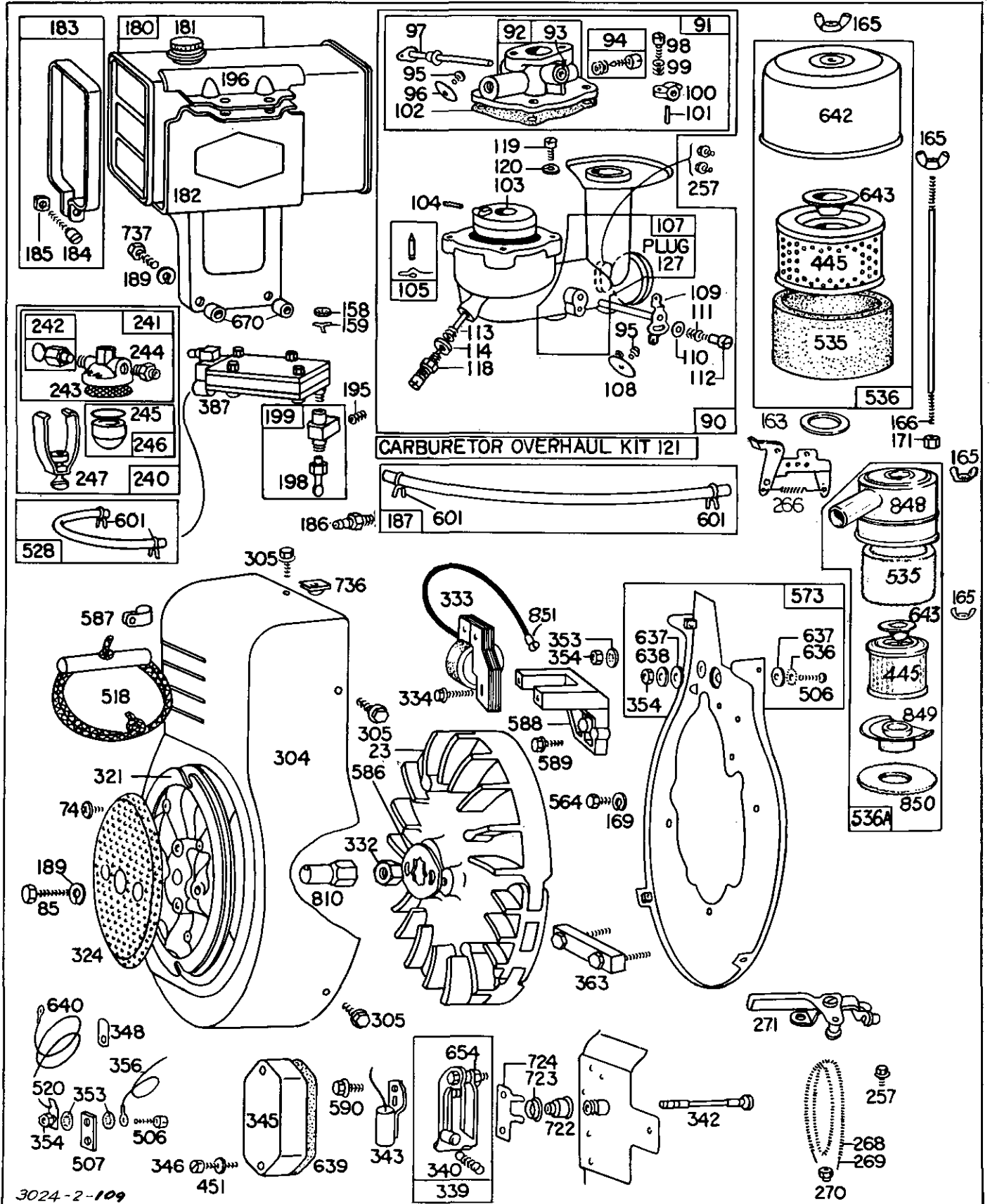
302400 to 302499



***NOTE-SPECIAL TOOLS REQUIRED FOR INSTALLING**
SEE REPAIR INSTRUCTION MANUAL

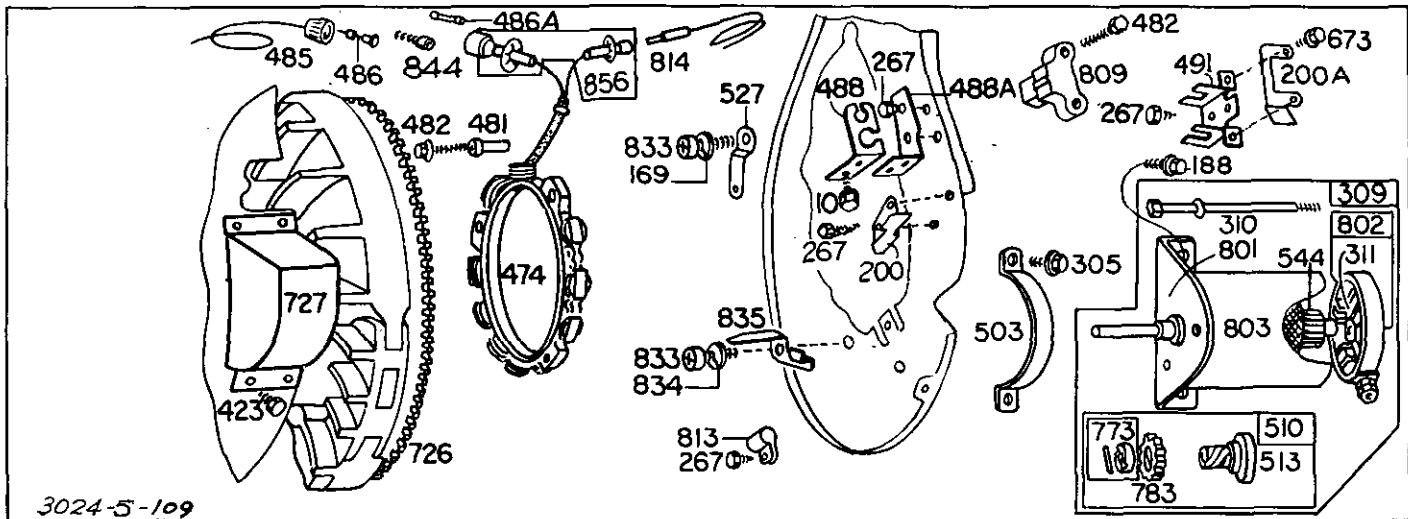
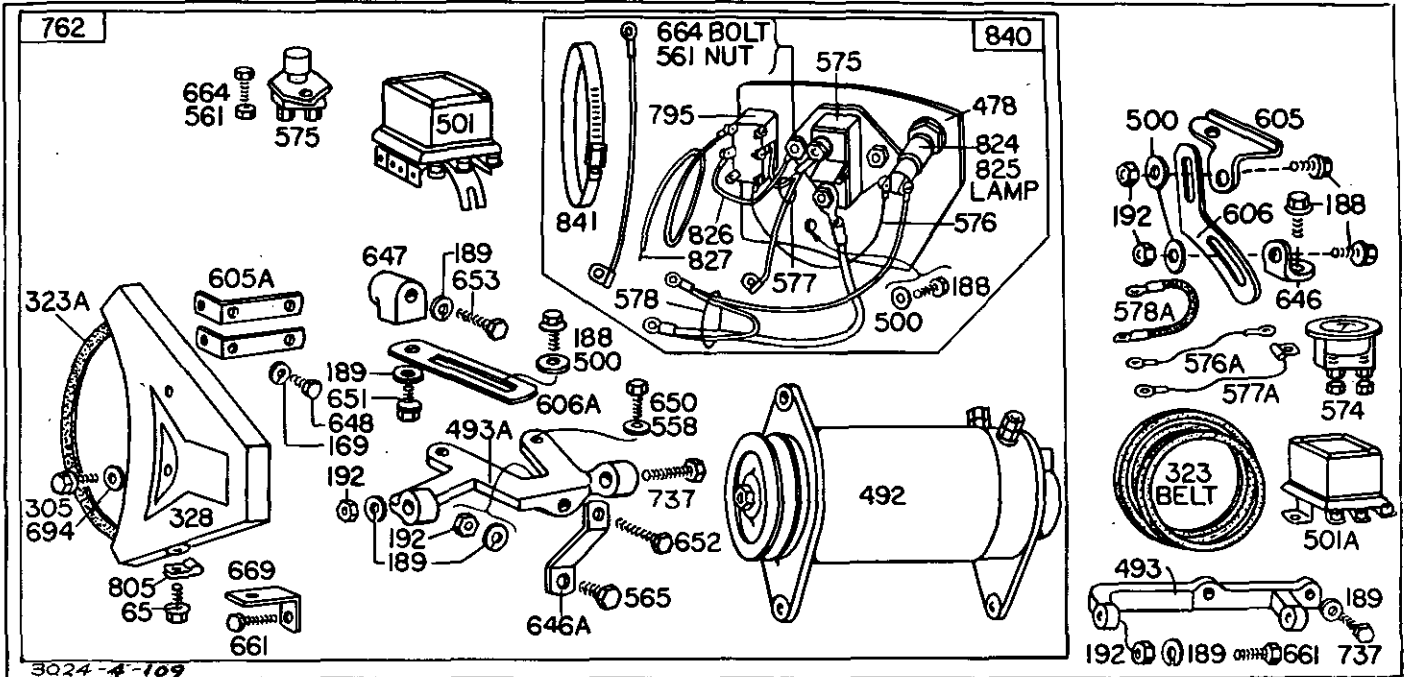
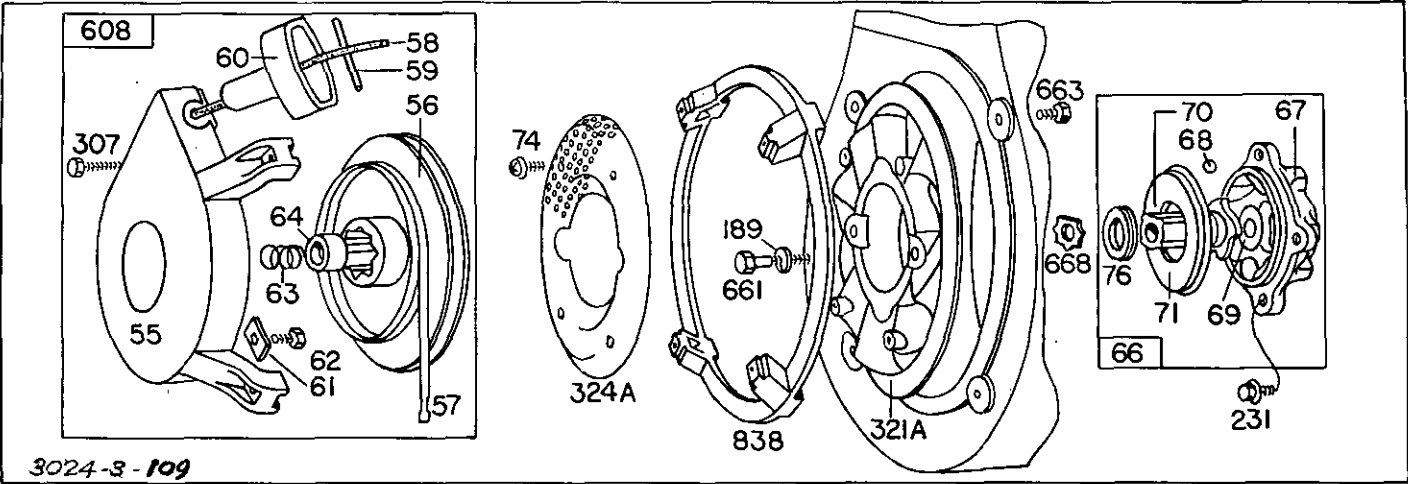
3024-1-109

Assemblies include all parts shown in frames.



Assemblies include all parts shown in frames.

302400 to 302499



Assemblies include all parts shown in frames.

REF. NO.	PART NO.	DESCRIPTION	REF. NO.	PART NO.	DESCRIPTION	REF. NO.	PART NO.	DESCRIPTION		
1	392096	Cylinder Assembly (Includes Piston and Ring Assembly)			0129, 0140, 0141, 0159.		299717	Piston Assy. - .020" O. S.		
5	211981	Head-Cylinder			261255 Crankshaft Used on type No. 0142, 0158.		299718	Piston Assy. - .030" O. S.		
	Note:	211889 Head-Cylinder Used before Code No. 7509061.			261355 Crankshaft Used on type No. 0161.		MODEL 302430 SERIES PISTON RING SETS:			
6	22963	Washer-Cylinder Head			261407 Crankshaft Used on type Nos. 0162, 0163, 0164.		Note:	For Chrome Piston Ring Set-Standard Size-order Part No. 299745.		
7	*270662	Gasket-Cylinder Head	17	291667	Bearing-Ball	26	299690	Ring Set-Piston-Std.		
8	299328	Breather	18	391062	Cover Assy. - Crankcase		299710	Ring Set-Piston- .010" O. S.		
9	*27803	Gasket-Valve Cover		Note:	291665 Cover Assy. - Crankcase Used on type Nos. 0112, 0113, 0114, 0134, 0140, 0142, 0158, 0159, 0162, 0163, 0164.		299711	Ring Set-Piston- .020" O. S.		
10	93536	Screw-Breather Mtg. Sem			291710 Cover Assy. - Crankcase Used on type Nos. 0021, 0022, 0126, 0127, 0141.		299712	Ring Set-Piston- .030" O. S.		
11	68818	Tube-Breather	20	299609	Seal-Oil	27	260924	Lock-Piston Pin		
12	*27350	Gasket-Cover		Note:	291675 Seal-Oil Used on type Nos. 0021, 0022, 0112, 0113, 0114, 0126, 0127, 0134, 0140, 0141, 0142, 0158, 0159, 0164.	28	299691	Pin Assy. -Piston- Standard		
13	91203	Screw-Cylinder Head (3) 1-3/4" long	21	66768	Plug-Oil Filler	29	299632	Rod Assy. -Connecting Note: For Connecting Rod with .020" undersize Crankpin Bore-order No. 390306.		
14	92674	Screw-Cylinder Head 2-7/16" long	23	298975	Flywheel-Magneto		Note:	For Connecting Rod with .020" undersize Crankpin Bore-order No. 390306.		
15	91084	Plug-Pipe-3/8"		Note:	391116 Flywheel-Magneto Used on type No. 0129.	30	221777	Dipper-Connecting		
	Note:	93720 Cap-Pipe 93719 Pipe-Oil Drain Used on type Nos. 0138, 0145.			391363 Flywheel Assembly Used on type Nos. 0027, 0115, 0137, 0145, 0147.	31	221776	Lock-Conn. Rod Screw		
16	261218	Crankshaft	24	61760	Key-Flywheel	32	230907	Screw-Connecting Rod		
	Note:	261219 Crankshaft Used on type Nos. 0021, 0112, 0126, 0128. 261220 Crankshaft Used on type Nos. 0135, 0144, 0155. 261222 Crankshaft Used on type No. 0157. 261223 Crankshaft Used on type No. 0134. 261225 Crankshaft Used on type No. 0113. 261228 Crankshaft Used on type Nos. 0119, 0146. 261245 Crankshaft Used on type Nos. 0022, 0114, 0127,			25	299688	Piston Assy. -Std.	33	261207	Valve-Exhaust
					299716	Piston Assy. - .010" O. S.	34	261206	Valve-Intake	
							35	26828	Spring-Intake Valve	
							36	26828	Spring-Exhaust Valve	
							40	292260	Rotacoil-Exhaust and Intake Valve	
							41	68283	Collar-Valve Spring Retainer	
							45	26670	Tappet-Valve	
							46	211794	Gear-Cam	
							50	211589	Elbow-Carburetor Intake Note: 211419 Elbow-Carburetor Intake Used on type Nos. 0139, 0146, 0161.	
							51 †	*270267	Gasket-Intake Elbow	
							52	*27381	Gasket-Intake Elbow Mounting (2)	

* Included in Gasket Set--
Part No. 299719.

† Included in Carburetor Overhaul
Kit-Part No. 391071.

REF. NO.	PART NO.	DESCRIPTION	REF. NO.	PART NO.	DESCRIPTION	REF. NO.	PART NO.	DESCRIPTION
53	93587	Screw—Machine	70	298799	Ratchet—Rewind Starter Clutch	94	† 292681	Valve Assembly—Carburetor Idle
55	298402	Housing—Rewind Starter	71	221653	Washer—Retainer	95	93038	Screw—Choke and Throttle Valve Mtg. Sem
56	392630	Pulley—Rewind Starter Includes 63" Rope	74	93521	Screw—Rotating Screen Mounting	96	221939	Valve—Throttle
	Note:	If longer Rope is required, order Rope No. 66894 and cut to length.	75	93824	Washer—Spring	97	298535	Shaft Assy.—Throttle
57	294303	Spring—Rewind Starter	76	68238	Seal—Ratchet Sealing	98	91920	Screw—Machine, Fill. Hd.—8-32 x 5/8"
58	66884	Rope—63" For use with Plastic Pulley	77	91386	Screw—Fan Pulley Mounting	99	26157	Spring—Throttle Adjustment
	Note:	If longer Rope is required, order Rope No. 66894 and cut to length.	88	270449	Gasket—Gear Case Cover	100	61967	Stop—Throttle
	66564	Rope—63" For use with Metal Pulley	90	391065	Carburetor Assembly	101	93043	Pin—Throttle Lever
	Note:	If longer Rope is required, order Rope No. 66574 and cut to length.		Note:	390927 Carburetor Assembly Used on type Nos. 0020, 0111, 0112, 0117, 0130, 0134, 0136, 0142, 0151, 0156, 0160, 0163, 0164.	102	† 270268	Gasket—Carburetor Body
59	230228	Pin—Starter Grip		391068	Carburetor Assembly Used on type Nos. 0138, 0145, 0158, 0159, 0162.	103	298514	Float—Carburetor
60	66728	Grip—Starter Rope		391070	Carburetor Assembly Used on type Nos. 0133, 0135, 0137, 0144, 0150, 0152.	104	† 230896	Pin—Float Hinge
61	68848	Bumper—Starter Pulley		393146	Carburetor Assembly Used on type Nos. 0139, 0146, 0161.	105	† 299096	Valve—Fuel Inlet
62	93254	Screw—Pulley Bumper Mounting Sem	91	299687	Body Assembly—Upper Carburetor	107	391069	Body Assembly—Lower Carburetor
63	260414	Spring—Ratchet		Note:	391067 Body Assy.—Upper Carburetor Used on type Nos. 0138, 0145.		Note:	393138 Body Assy.—Lower Carburetor Used on type Nos. 0139, 0146, 0161.
64	230543	Adapter—Ratchet Spring		391067	Body Assy.—Upper Carburetor Used on type No. 0138, 0145.	108	390936	Valve—Choke
65	93163	Screw—Sem		390998	Body—Upper Carburetor Used on type No. 0138, 0145.	109	391583	Shaft and Lever—Choke
66	298798	Clutch Assembly—Rewind Starter	92	299357	Body—Upper Carburetor		Note:	298622 Shaft and Lever—Choke Used on type Nos. 0133, 0135, 0137, 0138, 0144, 0145, 0150, 0152.
	Note:	393127 Clutch Assy.—Rewind Starter Used on type Nos. 0161, 0162, 0163, 0164.		Note:	390998 Body—Upper Carburetor Used on type No. 0138, 0145.		391583	Shaft and Lever—Choke Used on type No. 0155.
67	212132	Housing—Rewind Starter	93	23108	Bushing—Throttle Shaft	110	62899	Washer—Choke Lever
	Note:	261455 Housing—Rewind Starter Used on type Nos. 0161, 0162, 0163, 0164.				111	26155	Spring—Choke Lever
68	63770	Ball—Clutch				112	23123	Screw—Choke Lever
69	66718	Washer—Starter Clutch Thrust				113	† 390950	Nozzle—Carburetor
						114	† 68667	Gasket—Nozzle
						118	† 99525	Valve Assembly—Needle
						119	90746	Screw—Machine, Fill. Hd.—10-32 x 5/8"
						120	92290	Washer—Lock—No. 10 x 1/16 x 3/64"
						121	391071	Carburetor Overhaul Kit

† Included in Carburetor Overhaul Kit—Part No. 391071.

REF. NO.	PART NO.	DESCRIPTION	REF. NO.	PART NO.	DESCRIPTION	REF. NO.	PART NO.	DESCRIPTION
123	93357	Screw—Hex. Hd. Note: 93415 Screw—Carb. Mounting Used on type Nos. 0139, 0146, 0161.	196	22907	Support—Upper Fuel Tank			Uses 90364 Washer on type Nos. 0161, 0162, 0163, 0164.
127	† 221747	Plug—Welch	198	293934	Valve—Shut-Off	232	260478	Spring—Governor Link Note: 260584 Spring—Gov. Link Used on type Nos. 0139, 0146, 0161.
158	27590	Filter—Carburetor Drain	199	297563	Outlet—Fuel	240	393169	Filter Assembly—Fuel
159	220521	Retainer—Carburetor Drain—Filter	200	222581	Deflector—Air	241	296005	Cover Assembly—Fuel Filter
163	67247	Gasket—Air Cleaner	200A	222445	Deflector—Air	242	394388	Valve—Fuel Shut-off Note: For Fuel Shut-off and Cover, order Part No. 295913.
165	93453	Nut—Wing	201	260923	Link—Throttle Note: 26725 Link—Throttle Used on type Nos. 0135, 0139, 0146, 0161.	243	22547	Screen—Fuel Filter
166	231007	Stud—Air Cleaner	204	23849	Bushing—Control Lever	244	230318	Connector—Fuel Pipe
169	90832	Washer—Lock—1/4 x 3/32 x 5/64**	206	93422	Nut—Gov. Adjusting	245	*68477	Gasket—Fuel Filter Bowl
171	92129	Nut—Hex. —1/4-28	206A	21772	Nut—Governor Adjusting	246	298683	Bowl—Fuel Filter
180	291488	Tank Assembly—Fuel (6 Quart) Note: 290816 Tank Assy. — Fuel (4 Quart) Used on type No. 0152. 292415 Tank Assy. — Fuel (8 Quart) Used on type Nos. 0130, 0140, 0143.	208	230040	Rod—Governor Control	247	99665	Yoke Assy. —Fuel Filter
181	392301	Cap—Fuel Tank	209	260815	Spring—Governor (2" long) Note: 26764 Spring—Governor Used on type Nos. 0021, 0022, 0117, 0126, 0127, 0128, 0129, 0131, 0133, 0134, 0140, 0141, 0142, 0149, 0151, 0153, 0158, 0159, 0160, 0162, 0163, 0164.	257	93543	Screw—Casing Clamp
182	22813	Bracket—Fuel Tank	209A	260816	Spring—Governor (2-1/2" long)	266	299361	Control—Throttle
183	291490	Strap Assy. —Fuel Tank Note: 291367 Strap Assy. — Fuel Used on type No. 0152.	219	291192	Gear Assy. —Governor	267	93612	Screw—Sheet Metal
184	91257	Screw—Machine, Fill. Hd. —1/4-20 x 1-1/4**	223	22814	Lever—Governor Control	268	65616	Casing—Control Wire—72" long Note: If longer casing is required, specify length in inches; if shorter casing is needed, order No. 65616 and cut to required length.
185	90970	Nut—Square—1/4-20	225	291177	Shaft—Governor Gear	269	26633	Wire—Control—78" long Note: If longer wire is required, specify length in inches; if shorter wire is required, order No. 26633 and cut to required length.
186	230318	Connector—Fuel Pipe Note: 67218 Connector—Fuel Pipe Used on type Nos. 0135, 0137, 0144.	227	298399	Lever Assy. —Governor Note: 291365 Lever Assy. — Governor Used on type Nos. 0021, 0022, 0117, 0126, 0127, 0128, 0129, 0131, 0133, 0134, 0140, 0141, 0142, 0149, 0151, 0153, 0158, 0159, 0160, 0162, 0163, 0164.	270	63426	Locknut—Control Wire Casing
187	296004	Pipe—Flexible Fuel	230	22826	Washer—Governor Crank	271	290568	Lever Assy.—Control
188	93535	Screw—Sem	231	93380	Screw—Sem Note: 93832 Screw	300	299477	Muffler—Exhaust
189	90366	Washer—Lock—5/16 x 1/8 x 1/16**				301	231184	Pipe—Muffler (4" long)
192	91397	Nut—Hex. 5/16-18				302	91310	Locknut—Muffler
195	91635	Nipple						

* Included in Gasket Set—Part No. 299719.

302400 to 302499

REF. NO. 303 - 501A

REF. NO.	PART NO.	DESCRIPTION	REF. NO.	PART NO.	DESCRIPTION	REF. NO.	PART NO.	DESCRIPTION	
303	91308	Elbow-Exhaust, 1", 90° Street	321A	212000	Fan-Booster Note: 212234 Fan-Booster Used on type Nos. 0161, 0162, 0163, 0164.		299907	Wire-Ground Used on type No. 0128, 0131.	
304	294698	Housing-Blower Note: 297010 Housing- Blower Used on type Nos. 0119, 0142, 0146. 297453 Housing- Blower Used on type Nos. 0020, 0023, 0150, 0152, 0153, 0154, 0156. 390663 Housing- Blower Used on type No. 0138. 391229 Housing- Blower Used on type Nos. 0027, 0115, 0137, 0147. 391710 Housing- Blower Uses: 231065 Spacer Screen Mounting (4) 93572 Screw (4) Used on type No. 0145. 392343 Housing- Blower Used on type Nos. 0161, 0162, 0163, 0164.	323	68878	V-Belt (For High Position Mounting)		391115	Wire-Ground Used on type Nos. 0020, 0021, 0022, 0027, 0132, 0135, 0137, 0138, 0143, 0144, 0145, 0150, 0151, 0152, 0154, 0155, 0156, 0158, 0159, 0162, 0164.	
			323A	68898	V-Belt (For Low Position Mounting)		357	91540	Key-Pulley Mounting
			324	221851	Screen-Rotating Note: 222283 Screen- Rotating Used on type Nos. 0135, 0144, 0155.		358	299719	Gasket Set
			324A	222388	Screen-Rotating		363	19068	Puller-Flywheel (Optional Accessory)
			328	222062	Guard-Belt		387	390665	Pump-Impulse
			329	93294	Screw-Sem		423	93410	Screw-Cover Mounting
			332	230674	Nut-Flywheel		445	390930	Cartridge-Air Cleaner
			333	298968	Armature Assembly		451	90364	Washer-Lock- No. 8 x 3/64 x 1/32"
			334	93381	Screw-Armature to Mounting Bracket Sem		474	393800	Stator and Bracket- Alternator (Diode Type)
			337	298809	Plug-Spark Note: For Ignition Cable Terminal, order No. 221798. 29693 Plug-Spark Used on type No. 0133. 293918 Plug-Spark (Resistor Type)		478	221745	Panel-Instrument
			339	298185	Breaker Assy. - Ignition		481	230976	Bushing-Stator (Loose)
			340	26018	Spring-Breaker Arm		482	93621	Screw-Sem
			342	298125	Plunger-Contact		485	390888	Knob Assembly-Fuse
			343	298060	Condenser		486	391507	Diode-Alternator
			345	211327	Cover-Breaker		486A	67125	Fuse-7-1/2 Amp.
			346	93400	Screw-Breaker Cover Mounting Sem		488	222211	Bracket-Output
			347	220197	Switch-Stop		488A	222345	Bracket-Output Bracket Mounting
			348	221976	Switch-Stop		491	222344	Bracket-Rectifier
			353	92791	Washer-Lock- Shakeproof		492	297779	Starter-Generator (Delco-Remy No. 1101864 and Pulley- Delco-Remy No. 1949358)
			354	90576	Nut-Hex. -8-32		493	211785	Bracket-Upper Starter
			356	295413	Wire-Ground Note: 299656 Wire-Ground Used on type Nos. 0023, 0153.		493A	211169	Bracket-Lower Starter
305	93158	Screw-Sem					500	91325	Washer-Plain
306	299536	Shield-Cylinder					501	297196	Regulator-Voltage (Delco-Remy No. 1119577)
307	93686	Screw-Thread Forming					501A	295924	Regulator-Voltage (Delco-Remy No. 1118988)
308	222357	Cover-Cylinder Head Note: 221953 Cover-Cyl. Head Used before Code No. 7509071.							
309	391178	Motor-Starting							
310	391790	Thru Bolt Assembly							
311	391791	Brush Set							
321	211555	Fan and V-Belt Pulley							

REF. NO.	PART NO.	DESCRIPTION	REF. NO.	PART NO.	DESCRIPTION	REF. NO.	PART NO.	DESCRIPTION
503	222331	Strap-Starter			Cleaner Elbow	574	295158	Ammeter
506	90072	Screw-Machine Fill. Hd. -8-32 x 5/8"			Used on type Nos. 0139, 0146.			(Stewart Warner No. 357-W)
	Note:	90200 Screw-Machine Fill. Hd. -8-32 x 1/2"	536A	392783	Cleaner Assy. -Air	575	299139	Switch-Starter
		Used on type Nos. 0020, 0021, 0022, 0027, 0132, 0135, 0137, 0138, 0143, 0144, 0145, 0150, 0151, 0152, 0154, 0155, 0156, 0158, 0159, 0162, 0164.	544	391160	Armature Assembly- Starter			(Includes (2) Terminal Nuts and Lockwashers)
507	66895	Insulator	552	23837	Bushing-Governor Crank	576	298579	Wire-Ignition Switch to Indicator Lamp
	Note:	299598 Insulator	553	62222	Cup-Valve Spring	576A	295160	Wire-Ammeter to Switch
		Used on type Nos. 0128, 0131.	556	90887	Screw-Cap, Hex. Hd. -3/8-16 x 1-1/4"	577	298582	Wire-Starter Switch to Ignition Switch and "Bat." on Regulator
510	391461	Drive Assembly- Starter	558	92268	Washer-Lock- 3/8 x 1/8 x 3/32"	577A	295161	Wire-Ammeter to Regulator
513	391135	Clutch Assembly- Starter	560	91984	Pin-Cotter- 1/16 x 1/2" long	578	298583	Wire-Starter to Generator Terminal and Regulator and Indicator Terminal
518	69932	Rope-Starter	561	92278	Nut-Hex. -1/4-20	578A	295162	Wire-Starter Switch
520	93722	Terminal-Spade	562	92613	Bolt-Governor Lever	586	22906	Lock-Flywheel Nut
523	390947	Cap and Dipstick- Oil Filler	564	92980	Screw-Cap, Hex. Hd. -1/4-20 x 1/2	587	220509	Clamp-Cable
	Note:	390836 Cap Assy. - Oil Filler		Note:	93743 Screw- Machine, Fil. Hd. (1)	588	211440	Bracket-Armature Mounting
	Uses:	65304 Gasket			Used on type Nos. 0027, 0115, 0137.		Note:	211976 Bracket- Armature Mtg. Used on type Nos. 0027, 0115, 0137, 0145, 0147.
		93687 Nipple-Oil Filler	565	93142	Screw-Bracket to Base Mounting	589	93473	Screw-Armature Bracket to Cylinder Mounting Sem
		Used on type Nos. 0135, 0144, 0155.	567	291364	Crank Assy. -Governor	590	93171	Screw-Sem
524	68838	Seal-Filler Pipe	568	291404	Base Assy. -Engine	591	222251	Cam Shaft
525	390941	Pipe-Oil Filler		Note:	294751 Base Assy. - Engine	592	231082	Nut-Hex. -10-24
	Note:	390945 Pipe-Oil Filler			Used on type Nos. 0020, 0023, 0143, 0150, 0152, 0153, 0154, 0156.	593	*270513	Shim-Mag. Side Bearing Support- .015" thick
		Used on type Nos. 0138, 0145, 0158, 0159, 0162.	569	*27351	Gasket-Engine Base		*270514	Shim-Mag. Side Bearing Support- .010" thick
527	222192	Bracket-Alternator Harness	571	299705	Support Assy. -Bearing (Mag. Side)		*270515	Shim-Mag. Side Bearing Support- .005" thick
528	296004	Pipe-Fuel	572	291871	Guide-Front Air	601	93053	Clamp-Fuel Pipe
535	270782	Element-Air Cleaner	573	299450	Plate-Back	605	221933	Bracket-Starter Angle
536	391063	Cleaner Assy. -Air		Note:	391220 Plate-Back	605A	297171	Bracket-Guard
	Note:	67247 Gasket-Air			Used on type Nos. 0027, 0115, 0137, 0145, 0147, 0159.	606	221931	Strap-Adjusting
						606A	221442	Strap-Adjusting

* Included in Gasket Set-Part No.
299719.

302400 to 302499

REF. NO. 608 - 900

REF. NO.	PART NO.	DESCRIPTION	REF. NO.	PART NO.	DESCRIPTION	REF. NO.	PART NO.	DESCRIPTION
608	298340	Starter Assy. -Rewind Note: 392677 Starter Assy. - Rewind Used on type Nos. 0161, 0162, 0163, 0164.	673	93705	Screw-Hex. Hd.	802	391172	Commutator End Cap Assembly-Starter
635	66538	Elbow-Spark Plug	694	91324	Washer-Belt Guard	803	391167	Housing Assembly- Starter
636	92864	Washer-Lock	722	68768	Seal-Plunger	805	93593	Nut-Belt Guard Bracket Mounting
637	66154	Washer-Back Plate Terminal	723	93516	Eyelet-Seal Retainer	809	391552	Rectifier-Alternator
638	26404	Washer-Back Plate Terminal	724	221873	Retainer-Plunger Seal	810	230950	Extension-Crankshaft
639	*270176	Gasket-Breaker Cover	726	391362	Gear-Flywheel Ring (Includes Mtg. Parts)	813	93732	Clamp-Stator Wire
640	298141	Lead-Primary	727	222968	Cover-Starter	814	390867	Wire Assembly- Alternator
642	222271	Cover-Air Cleaner	736	93542	Nut-Clip	824	298586	Holder-Charge Indicator Lamp
643	222272	Cup-Air Cleaner Note: 222290 Washer-Air Cleaner Used on type Nos. 0138, 0145.	737	93546	Screw-Cap. Hex. Hd. -5/16-18 x 1-1/4"	825	67245	Lamp-Charge Indicator (#1893 T3-1/4 Bulb, Miniature Bayonet Base, 12 Volt)
645	230775	Bushing-Plunger	738	221944	Washer-Flat	826	298580	Wire-Ignition Switch to Ground
646	221932	Brace-Upper Bracket	741	261466	Gear Assembly-Idler	827	298581	Wire-Ignition Switch to Breaker Box
646A	221472	Brace-Lower Bracket	742	93525	Retainer-E-Ring	828	298578	Wire-Regulator to Generator
647	211170	Link-Anchor	744	93526	Washer-Belleville	833	93743	Screw-Machine
648	91439	Screw-Cap, Hex. Hd. -1/4-20 x 3/8"	746	211927	Gear-Drive (Mag. Side)	834	93744	Washer
650	91814	Screw-Cap, Hex. Hd. -3/8-16 x 2	749	391061	Cover Assy. -Mag. Side Note: 391361 Cover Assy. - Mag. Side Used on type Nos. 0027, 0115, 0137, 0145, 0147, 0159.	838	211983	Ring-Starter Adapter
651	92034	Screw-Cap, Hex. Hd. -5/16-18 x 1/2"	750	93587	Screw-Mag. Side Cover Mounting Sem	840	298561	Kit-Starter Generator Panel
652	91162	Screw-Bracket to Bracket	751	22355	Washer-Flat	841	297197	Clamp-Regulator
653	91442	Screw-Link Anchor Mounting	752	93554	Screw-Plug	842	270933	Seal-Oil Filler Cap
654	230783	Nut-Contact Point Adjusting Screw	753	231006	Shaft-Cam Gear	844	261269	Spring-Diode
661	91203	Screw-Cap, Hex. Hd. -5/16-10 x 1-3/4"	754	93528	Bolt-Cam Gear Shaft	848	392393	Cover Assembly- Air Cleaner
663	93572	Screw-Thread Forming	755	299706	Bearing Assy. -Cam Gear	849	392391	Base Assembly-Air Cleaner
664	93415	Screw-Sem	756	*270516	Shim-Cam Gear Bearing-.009" thick	850	270987	Seal-Base
668	260647	Spacer (Used between end of Ratchet and Starter Pulley)	*270517	Shim-Cam Gear Bearing-.007" thick	851	221798	Terminal-Cable	
669	222067	Bracket-Belt Guard	*270518	Shim-Cam Gear Bearing-.005" thick	856	393304	Bracket Assembly- Output	
670	230900	Spacer-Fuel Tank Mounting (2)	762	390048	Electric Starter- Generator and Panel Kit-12 Volt	870	21612	Seat-Exhaust Valve (Standard) Note: For installation and options see Repair Manual.
			773	391462	Retainer and Pin Assembly	871	230655	Guide-Exhaust Valve
			783	280104	Gear-Starter	900	230890	Shaft-Idler Gear
			795	298590	Switch-Ignition			
			801	392062	Drive End Bracket Assembly-Starter			

* Included in Gasket Set-
Part No. 299719.

