

304400

Illustrated Parts List

Model Series

304400

TYPE NUMBERS
0100 through 0416.

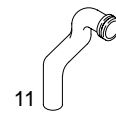
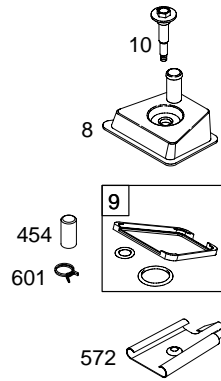
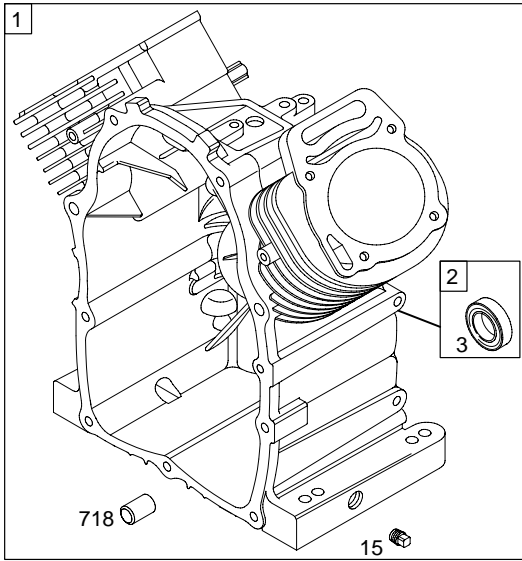
TABLE OF CONTENTS

Air Cleaners	8
Alternator	13
Blower Housings	11
Cams	2
Carburetor	7
Controls	9
Crankcase Cover/Sump	4
Crankshaft	2
Cylinder	2
Electric Starter	14
Flywheel	12
Governor Spring	9
Head/Valves	3
Ignition	13
Intake Manifolds	4
Kits/Gaskets Set – Engine	6
Kits/Gaskets – Valves	6
Oil Group	5
Piston	2
Shrouds	10

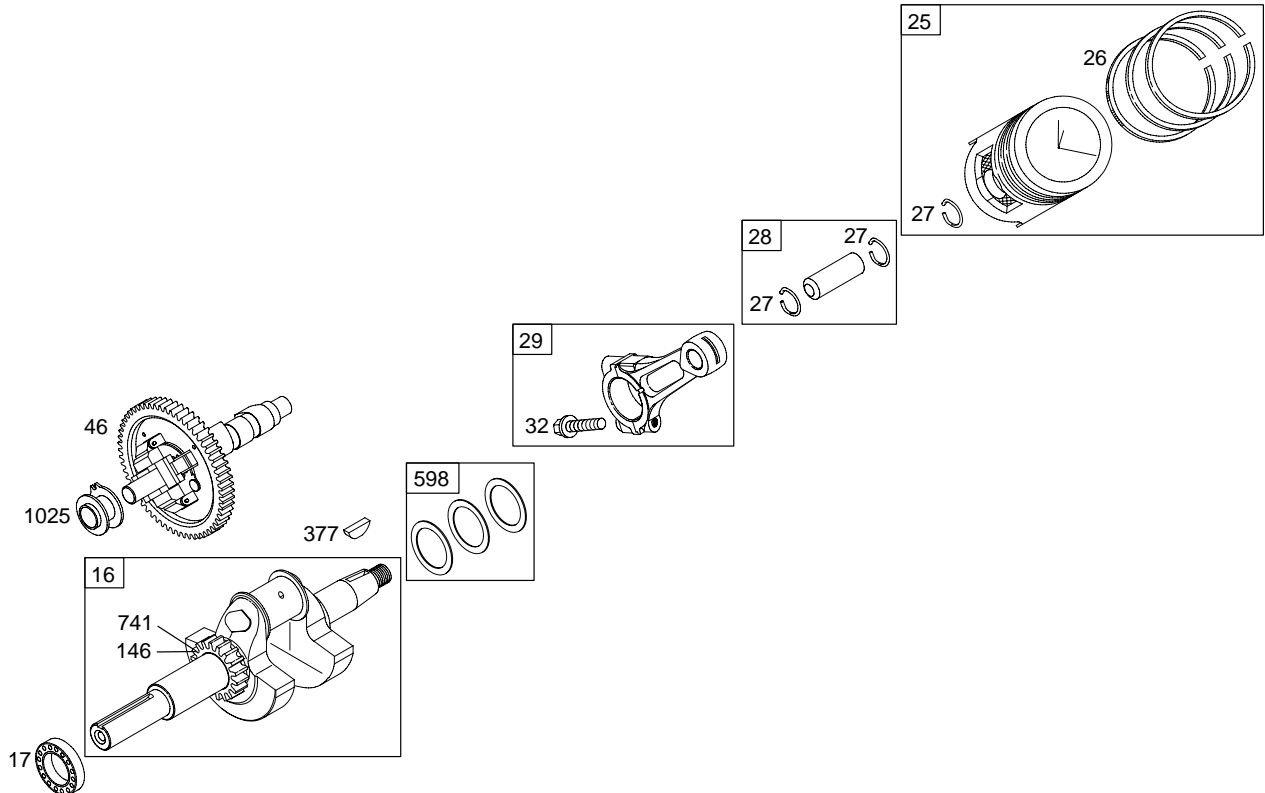


PRINTED IN U.S.A.

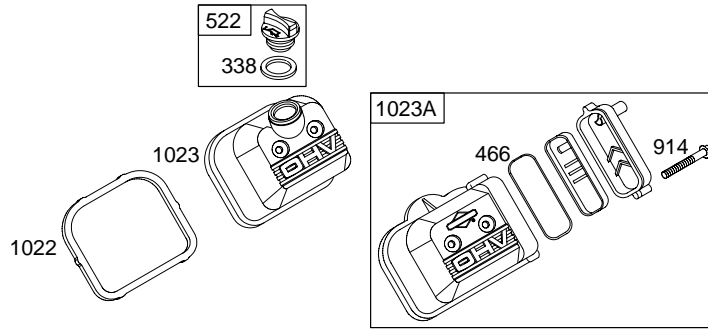
COPYRIGHT by BRIGGS & STRATTON CORPORATION
All rights reserved. No part of this material may be reproduced or transmitted,
in any form or by any means, electronic or mechanical, including photocopying,
recording or by any information storage and retrieval system, without permission
in writing from Briggs & Stratton Corporation.



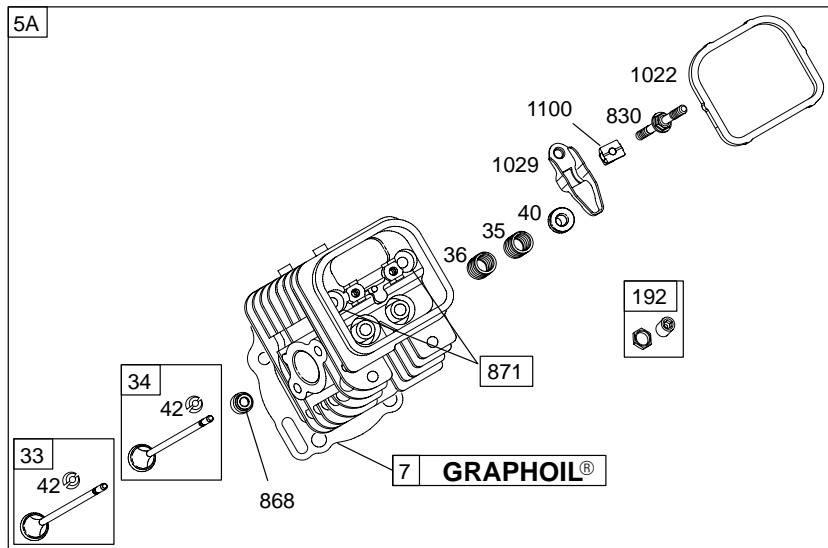
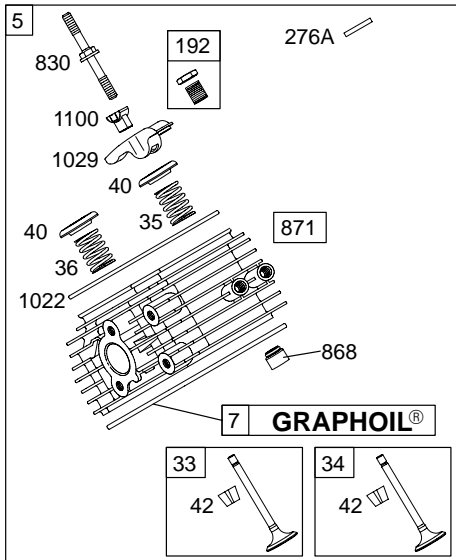
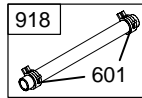
- 1019 LABEL KIT
- 1058 OWNER'S MANUAL
- 1330 REPAIR MANUAL



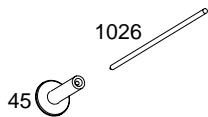
Illustrations cover a range of engines. Parts shown without corresponding text may not be used on your specific engine.
 6065-2 Assemblies include all parts shown in frames. 4/20/2004

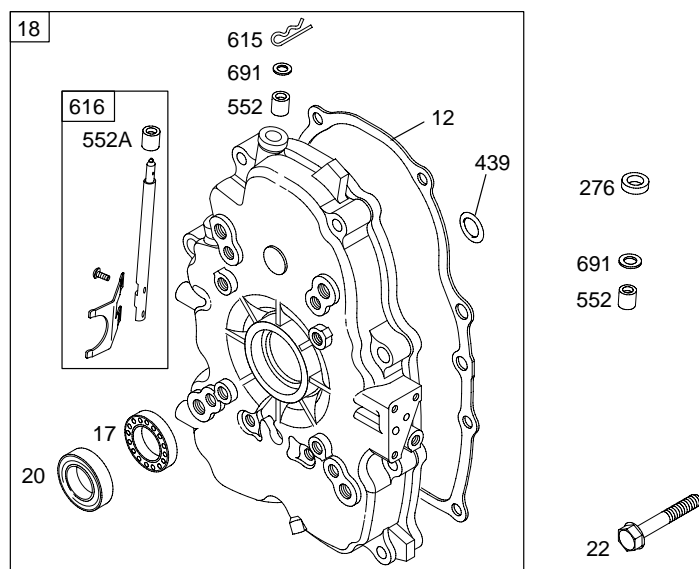
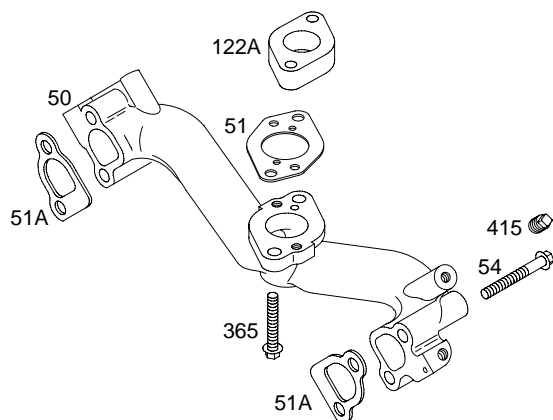


276A ©

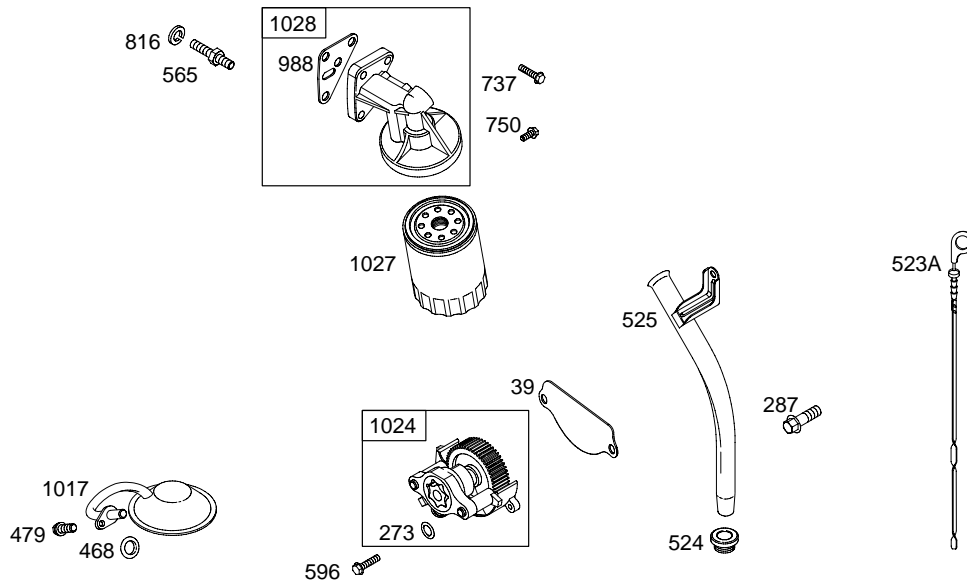


276A ©

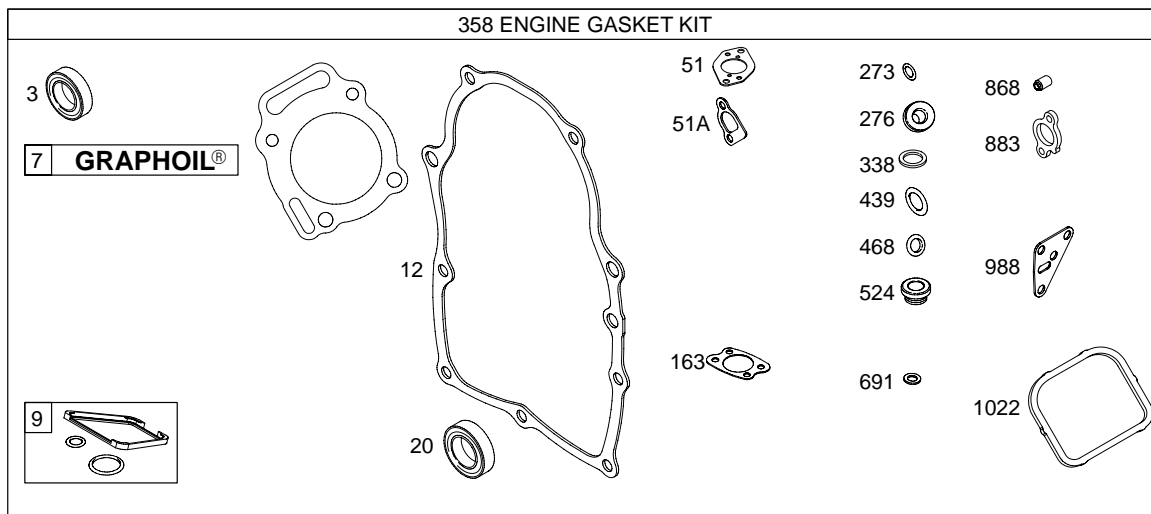
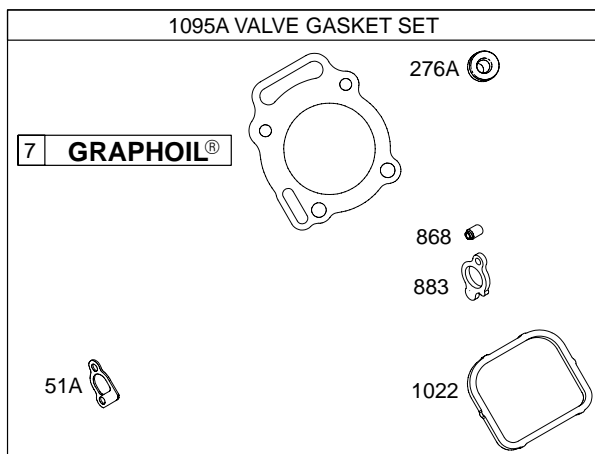




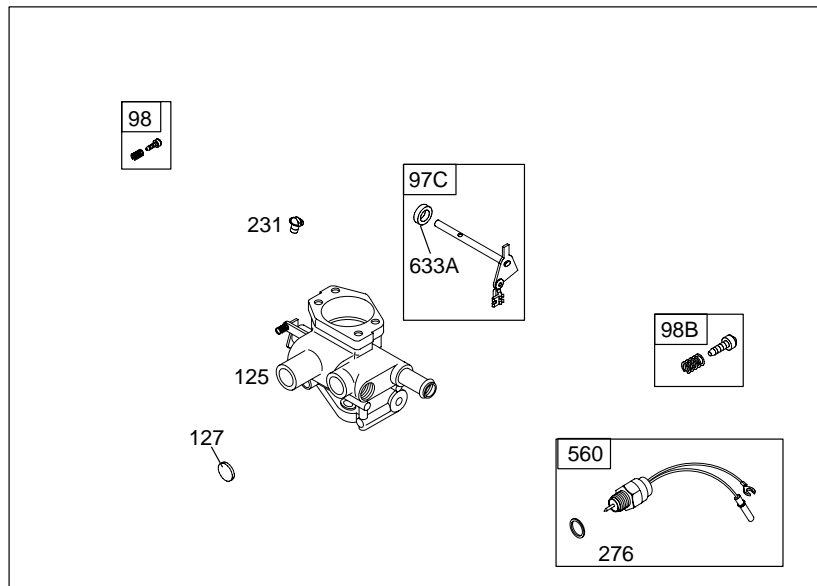
Illustrations cover a range of engines. Parts shown without corresponding text may not be used on your specific engine.
6065-4 Assemblies include all parts shown in frames. **4/20/2004**



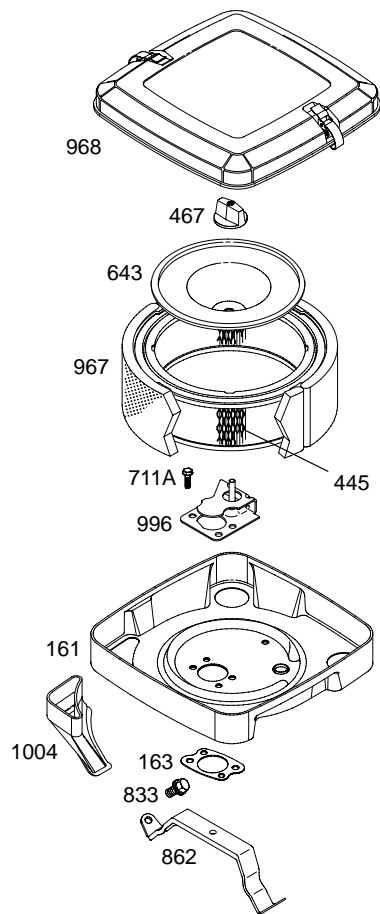
6065-5 *Illustrations cover a range of engines. Parts shown without corresponding text may not be used on your specific engine.* Assemblies include all parts shown in frames. 4/20/2004

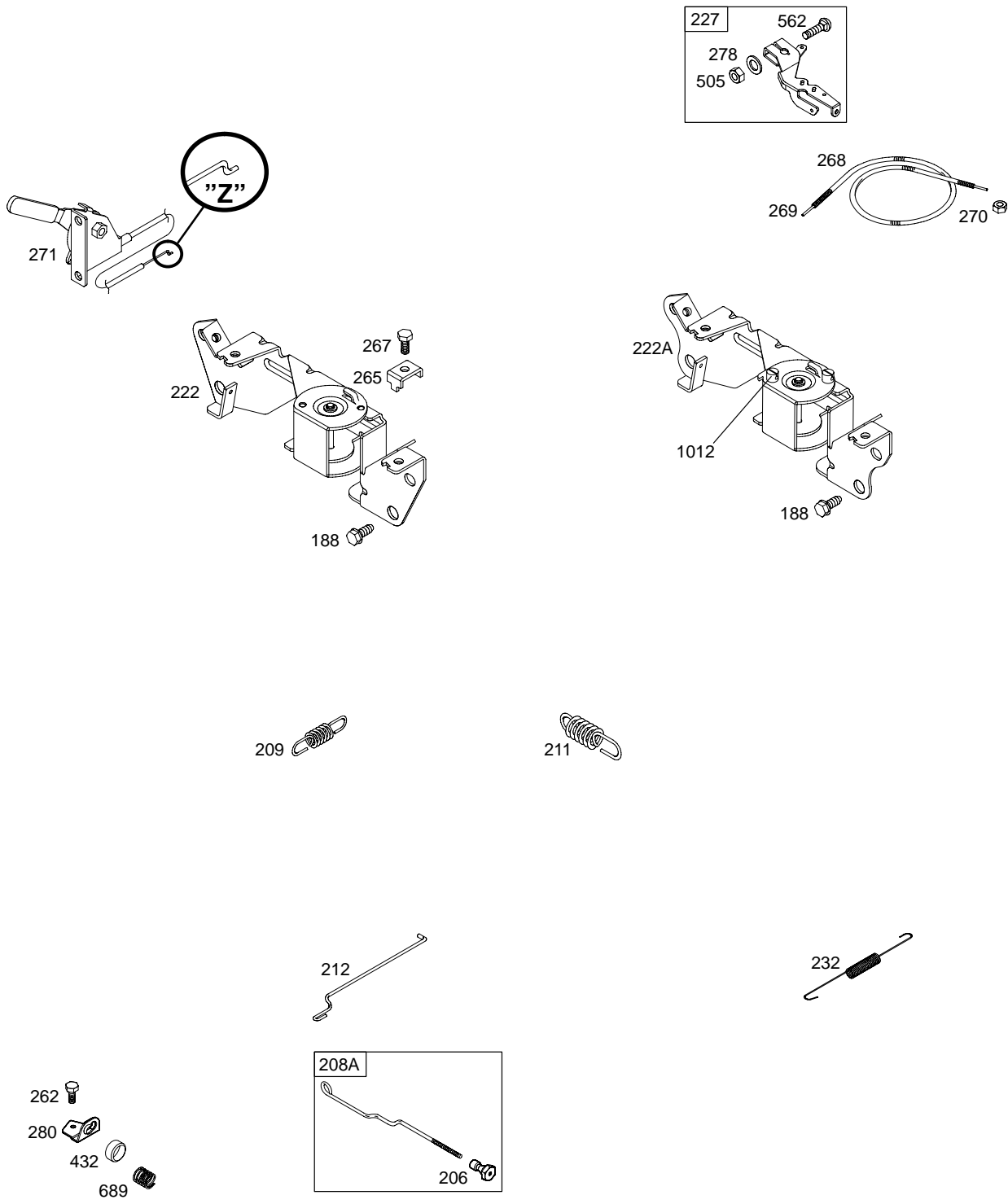


Illustrations cover a range of engines. Parts shown without corresponding text may not be used on your specific engine.

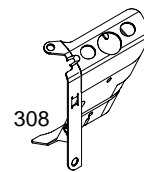
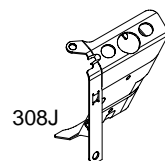
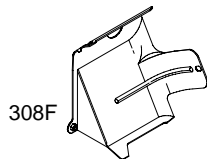
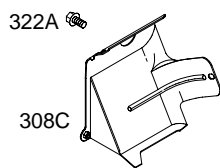
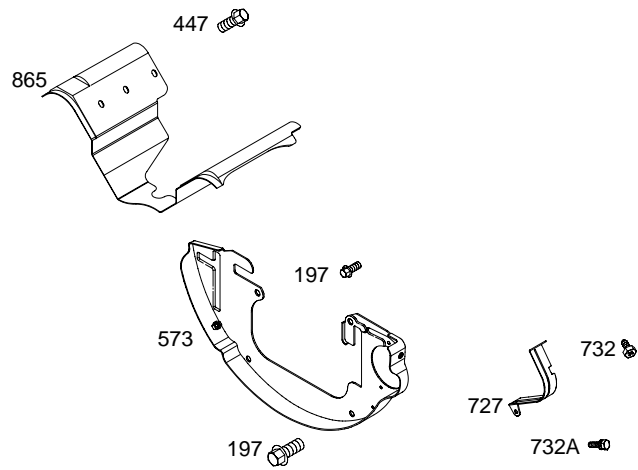


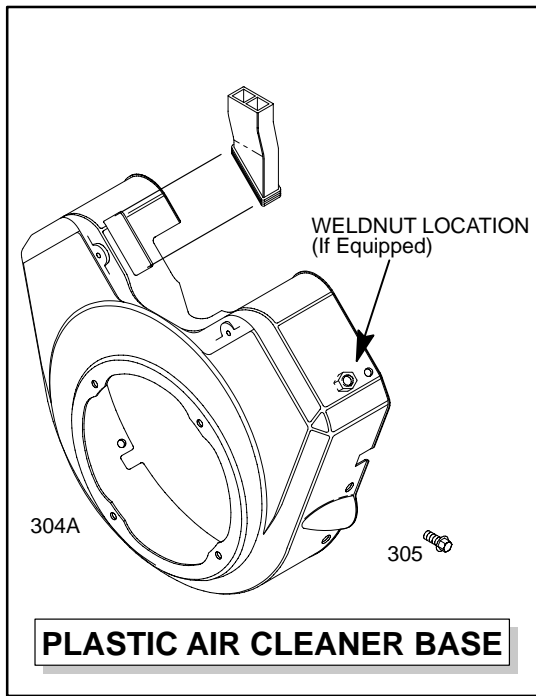
Illustrations cover a range of engines. Parts shown without corresponding text may not be used on your specific engine.
6065-7 Assemblies include all parts shown in frames. 4/20/2004



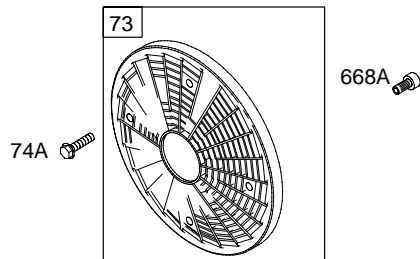
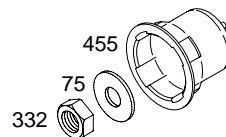
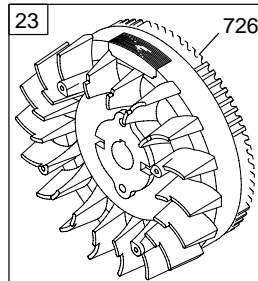


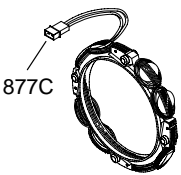
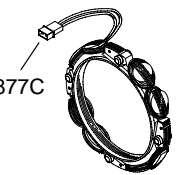
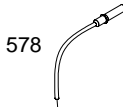
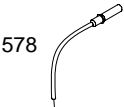

Illustrations cover a range of engines. Parts shown without corresponding text may not be used on your specific engine.
6065-9 Assemblies include all parts shown in frames. 4/20/2004






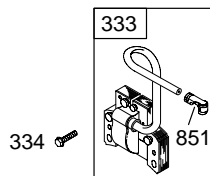
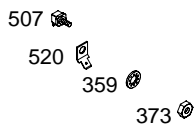
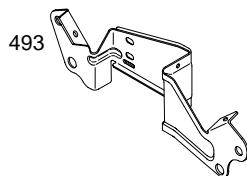
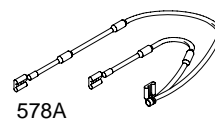
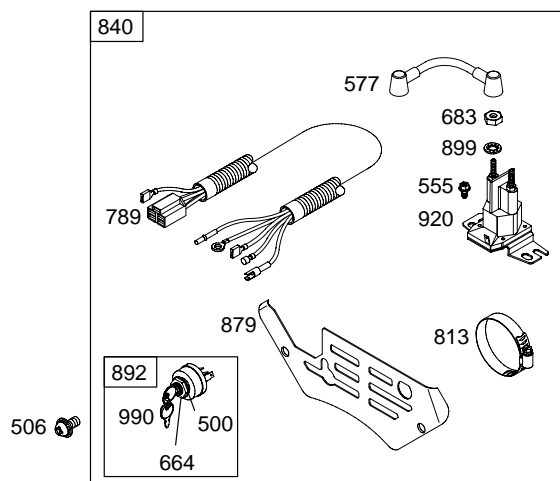
1036 EMISSION LABEL



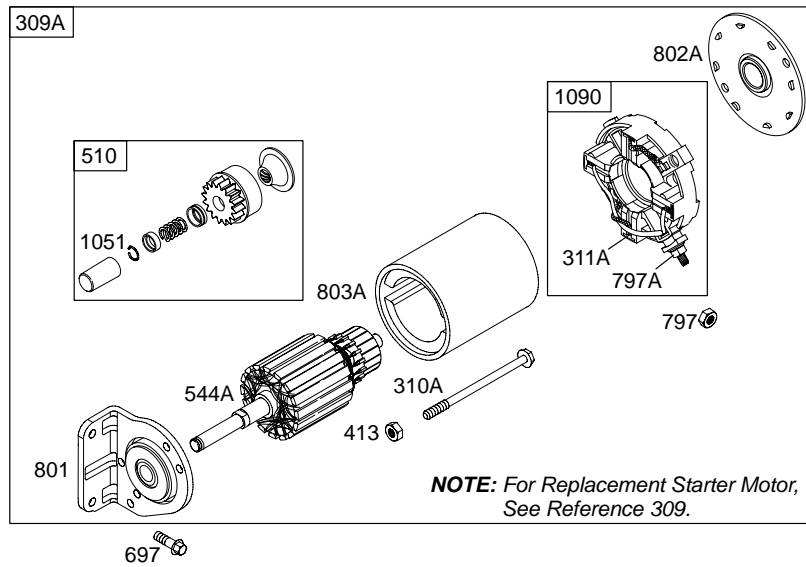
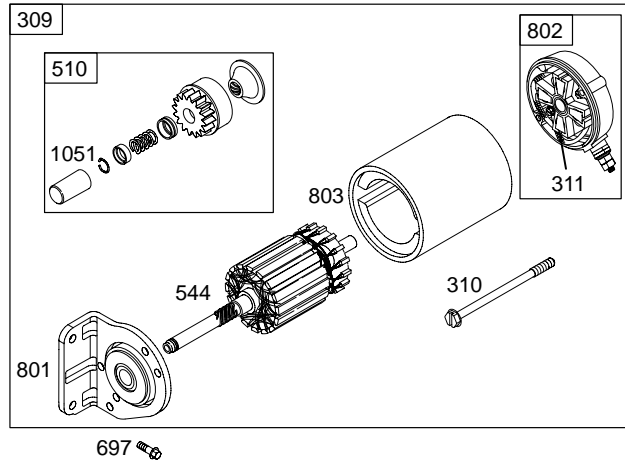
10 AMP	16 AMP
<div data-bbox="1096 226 1161 262" style="border: 1px solid black; padding: 2px;">474D</div> 	<div data-bbox="1307 226 1372 262" style="border: 1px solid black; padding: 2px;">474D</div> 
	
<div data-bbox="1234 661 1372 724"> 526 501  </div>	

NOTE: All stators use a No. 1119 mounting screw. 

NOTE: The proper flywheel part number and/or the alternator magnet size will determine the alternator type or output. See repair instruction manual for additional information.



Illustrations cover a range of engines. Parts shown without corresponding text may not be used on your specific engine.
6065-13 Assemblies include all parts shown in frames. **4/20/2004**



REF. NO.	PART NO.	DESCRIPTION	REF. NO.	PART NO.	DESCRIPTION	REF. NO.	PART NO.	DESCRIPTION
1	808690	Cylinder Assembly	33	808687	Valve—Exhaust	209	692070	Spring—Governor
2	808534	Kit—Bushing/Seal (Magneto Side)	34	807680	Valve—Intake			———— Note ————
3	★805101	Seal—Oil (Magneto Side)	35	692084	Spring—Valve (Intake)			691506 Spring— Governor
5	808688	Head—Cylinder	36	692084	Spring—Valve (Exhaust)			Used on Type No(s). 0322.
5A	808689	Head—Cylinder	39	690745	Deflector—Oil	211	692069	Spring—Governed Idle
7	★△806085	Gasket—Cylinder Head	40	692058	Retainer—Valve			———— Note ————
8	808984	Breather Assembly	42	807683	Keeper—Valve			692068 Spring— Governed Idle
9	★809094	Gasket—Breather	45	690977	Tappet—Valve			Used on Type No(s). 0322.
10	690751	Screw (Breather Assembly)	46	691557	Camshaft			
11	808686	Tube—Breather	50	692124	Manifold—Intake			
12	★691684	Gasket—Crankcase	51	★806457	Gasket—Intake	212	690712	Link—Throttle
13	692059	Screw (Cylinder Head)	51A	★△692035	Gasket—Intake	222	808454	Bracket—Control
15	690946	Plug—Oil Drain	54	690676	Screw (Intake Manifold)	222A	691570	Bracket—Control Used on Type No(s). 0416.
16	692161	Crankshaft ———— Note ———— 692163 Crankshaft Used on Type No(s). 0322.	73	494439	Screen—Rotating			
17	690752	Bearing—Ball	74A	691647	Screw (Rotating Screen)	227	690236	Lever—Governor Control
18	808847	Cover—Crankcase	75	691490	Washer (Flywheel)	231	690718	Screw (Choke Valve)
20	★805049	Seal—Oil (PTO Side)	97C	808397	Shaft—Throttle	232	692073	Spring—Governor Link
22	807362	Screw (Crankcase Cover/Sump)	98	809320	Kit—Idle Speed	239	690233	Switch—Oil Pressure
23	808766	Flywheel	98B	808177	Kit—Idle Speed	262	692083	Screw (Rod Bracket)
25	807619	Piston Assembly ———— Note ———— 807809 Piston Assembly (.020" Oversize)	122A	690747	Spacer—Carburetor	265	691024	Clamp—Casing
26	807620	Ring Set ———— Note ———— 807810 Ring Set (.020" Oversize)	125	808692	Carburetor	267	841552	Screw (Casing Clamp)
27	690683	Lock—Piston Pin	127	694916	Plug—Welch	268	691025	Casing—Control Wire
28	807621	Pin—Piston	146	691639	Key—Timing	269	691026	Wire—Control
29	807900	Rod—Connecting	161	691561	Base—Air Cleaner (Metal)	270	691027	Nut (Control Wire Casing)
32	690698	Screw (Connecting Rod)	163	★692081	Gasket—Air Cleaner	271	691028	Lever—Control
			188	692056	Screw (Control Bracket)	273	★690681	Seal—O Ring (Oil Pump)
			192	807623	Adjuster—Rocker Arm			
			197	807163	Screw (Back Plate)			
			206	691244	Nut—Governor Adjusting			
			208A	691549	Rod—Governor Control			

★ Included in Engine Gasket Set—Ref. No. 358.

● Included in Carburetor Overhaul Kit—Ref. No. 121.

◆ Included in Carburetor Gasket Set—Ref. No. 977.

△ Included in Valve Gasket Set—Ref. No. 1095.

Illustrations cover a range of engines. Parts shown without corresponding text may not be used on your specific engine.
6065-15 Assemblies include all parts shown in frames. 4/20/2004

304400

REF. NO.	PART NO.	DESCRIPTION	REF. NO.	PART NO.	DESCRIPTION	REF. NO.	PART NO.	DESCRIPTION
276	★806998	Washer–Sealing (LP/NG Fuel Switch) ———— Note ———— 690704 Washer– Sealing	311	496887	Brush Set	454	693289	Cap–Breather
276A	△807085	Washer–Sealing	311A	395538	Brush Set	455	691517	Cup–Flywheel
278	690237	Washer (Governor Control Lever)	318	807163	Screw (Mounting Bracket)	466	806466	Seal–O Ring (Breather Assembly)
280	691526	Bracket–Rod	322	841233	Screw (Cylinder Head Cover)	467	691985	Knob–Air Cleaner
287	692062	Screw (Dipstick Tube)	322A	692067	Screw (Cylinder Head Cover)	468	★690690	Seal–O Ring (Oil Pump Screen)
304A	808055	Housing–Blower (Red) ———— Note ———— 808408 Housing– Blower (Black)	332	690887	Nut (Flywheel)	474D	696458	Alternator
305	692056	Screw (Blower Housing)	333	492341	Armature–Magneto	479	807084	Screw (Oil Pump Screen)
308	841232	Cover–Cylinder Head (Cylinder 1) (Used After Code Date 03103100).	334	692066	Screw (Magneto Armature)	493	691177	Bracket–Mounting
308C	806546	Cover–Cylinder Head (Cylinder 2)(Non Ducted) (Used Before Code Date 03110100).	337	491055	Plug–Spark	500	691086	Washer (Key Switch)
308F	841182	Cover–Cylinder Head (Cylinder 2) (Used After Code Date 03103100).	338	★691312	Gasket–Dipstick	501	691185	Regulator
308J	806547	Cover–Cylinder Head (Cylinder 1)(Non Ducted) (Used Before Code Date 03110100).	358	808704	Gasket Set–Engine	505	690238	Nut (Governor Control Lever)
309	691564	Motor–Starter	359	691077	Washer (Ground Terminal)	506	690677	Screw (Carburetor Cover)
309A		Motor–Starter (For Replacement Starter Motor, Order Reference 309)	365	690711	Screw (Carburetor)	507	691972	Insulator
310	496880	Screw (Starter Motor)	373	691612	Nut (Ground Terminal)	510	496881	Drive–Starter
310A	690323	Screw (Starter Motor)	377	808095	Key–Woodruff	520	809077	Terminal–Ground
			413	693587	Nut (Starter Motor)	522	491832	Plug–Dipstick/Fill
			415	690283	Plug	523A	693175	Dipstick
			432	691509	Cap–Spring	524	★693172	Seal–Dipstick Tube
			439	★692154	Seal–O Ring (Crankcase Cover/Sump)	525	693174	Tube–Dipstick
			445	841359	Filter–Air Cleaner Cartridge (Used After Code Date 04022900).	526	692067	Screw (Regulator)
					———— Note ———— 394018 Filter–Air Cleaner Cartridge (Used Before Code Date 04030100).	529	690744	Grommet
			447	807163	Screw (Air Guide Cover)	544	690855	Armature–Starter
						544A	693548	Armature–Starter
						552	690701	Bushing–Governor Crank
						552A	806686	Bushing–Governor Crank
						555	692067	Screw (Starter Solenoid)
						560	808693	Switch–LP/NG Fuel
						562	690239	Bolt (Governor Control Lever)

★ Included in Engine Gasket Set–Ref. No. 358.

● Included in Carburetor Overhaul Kit–Ref. No. 121.

◆ Included in Carburetor Gasket Set–Ref. No. 977.

△ Included in Valve Gasket Set–Ref. No. 1095.

Illustrations cover a range of engines. Parts shown without corresponding text may not be used on your specific engine.

REF. NO.	PART NO.	DESCRIPTION	REF. NO.	PART NO.	DESCRIPTION	REF. NO.	PART NO.	DESCRIPTION
565	690682	Stud (Oil Filter Adapter)	737	690679	Screw (Oil Filter Adapter)	879	806648	Cover-Carburetor
572	690686	Baffle-Breather	741	691530	Gear-Timing	883	★△691613	Gasket-Exhaust
573	841310	Plate-Back	750	841233	Screw (Oil Pump Cover)	892	692318	Switch-Key
577	690795	Cable-Starter	789	691578	Harness-Wiring	899	691077	Washer (Starter Solenoid)
578	692306	Wire Assembly			Note	914	806421	Screw (Rocker Cover)
578A	692319	Wire Assembly			691996	918	393815	Hose-Vacuum
596	691492	Screw (Oil Pump)			Used on Type No(s). 0416.	920	691656	Solenoid-Starter
598	807625	Shim-End Play (Crankshaft)	797	691029	Nut (Brush Retainer)	967	272490	Filter-Pre Cleaner
601	691145	Clamp-Hose	797A	693167	Nut (Brush Retainer)	968	692097	Cover-Air Cleaner
615	691550	Retainer-Governor Shaft	801	808778	Cap-Drive	988	★692063	Gasket-Oil Adapter
616	806685	Crank-Governor	802	496813	Cap-End	990	691959	Key Set
633A	695414	Seal-Choke/Throttle Shaft	802A	691286	Cap-End	996	691577	Shield-Carburetor
635	692076	Boot-Spark Plug	803	690854	Housing-Starter	1004	690743	Duct-Air
638	691551	Washer (Cylinder Head Cover)	803A	693547	Housing-Starter	1012	690592	Retainer-Link
643	692079	Retainer-Air Filter	813	690635	Clamp	1017	690900	Screen-Oil Pump
664	691087	Nut (Key Switch)	816	690706	Washer (Oil Filter Adapter)	1019	841626	Kit-Label
668A	691500	Spacer	830	809157	Stud-Rocker Arm	1022	★△806039	Gasket-Rocker Cover
683	691029	Nut (Starter Solenoid)	833	841233	Screw (Air Cleaner Mounting Strap/Stud)	1023	690758	Cover-Rocker
689	691272	Spring-Friction			Kit-Panel	1023A	808648	Cover-Rocker
691	★690680	Seal-Governor Shaft	840	692096	Kit-Panel	1024	693185	Pump-Oil
697	692062	Screw (Drive Cap)	851	493880	Terminal-Spark Plug	1025	690689	Spool-Governor
711A	690677	Screw (Carburetor Shield)	862	692153	Strap/Stud-Air Cleaner Mounting	1026	691836	Rod-Push (Intake)(Steel)
718	806469	Pin-Locating	865	841312	Cover-Air Guide			Note
726		Gear-Ring (Steel)(See Reference 23 for Service)	868	★△691963	Seal-Valve			691758
727	841313	Cover-Starter Drive	871	692057	Bushing-Valve Guide	1027	492932	Filter-Oil
729	690586	Clip-Wire	877C	399916	Wire/Connector-Alternator (2 Wires, 7-53/64" Long)(2 Bare Wire Ends, And Insulated Snap Connect Male Pin Terminal)	1028	808235	Adapter-Oil Filter
732	690688	Screw (Starter Drive Cover)				1029	807323	Arm-Rocker
732A	692539	Screw (Starter Drive Cover)				1036	841624	Label-Emissions
						1051	691124	Ring-Retaining
						1054	280275	Tie-Cable
						1058	275368	Operator's Manual
						1090	691293	Retainer-Brush
						1095A	808391	Gasket Set-Valve
						1100	690973	Pivot-Rocker Arm
						1119	691552	Screw (Alternator)
						1330	272144	Repair Manual

★ Included in Engine Gasket Set-Ref. No. 358.

● Included in Carburetor Overhaul Kit-Ref. No. 121.

◆ Included in Carburetor Gasket Set-Ref. No. 977.

△ Included in Valve Gasket Set-Ref. No. 1095.

Illustrations cover a range of engines. Parts shown without corresponding text may not be used on your specific engine.
6065-17 Assemblies include all parts shown in frames. 4/20/2004