



Illustrated Parts List

Model Series

305700

TYPE NUMBERS
0110 through 0113.

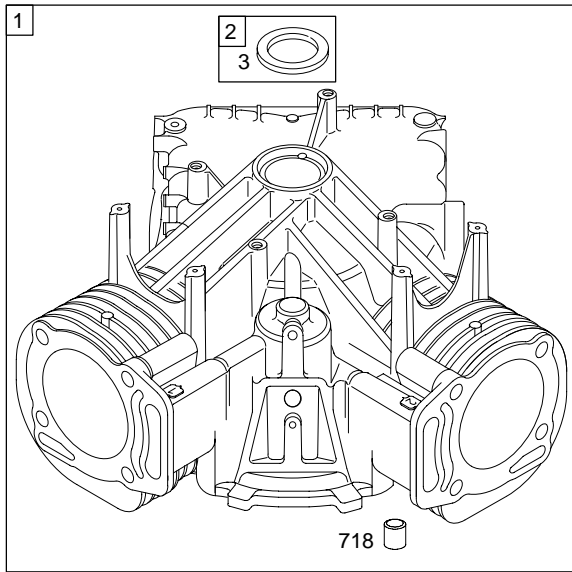
TABLE OF CONTENTS

Air Cleaner	8
Alternator	7
Blower Housing	12
Camshaft	3
Carburetor	4
Controls	7
Crankshaft	3
Cylinder	2
Cylinder Head	6
Engine Sump	2
Exhaust System	9
Electric Starter	15
Flywheel	11
Fuel Supply	4
Gasket Set-Engine	2
Gasket Set-Valve	6
Governor Spring	7
Ignition	7
Intake Manifold	5
Kit-Carburetor Overhaul	4
Lubrication	14
Piston, Rings, Connecting Rod	2
Rewind Starter	10
Shrouds	13
Valves	6

PRINTED IN U.S.A.



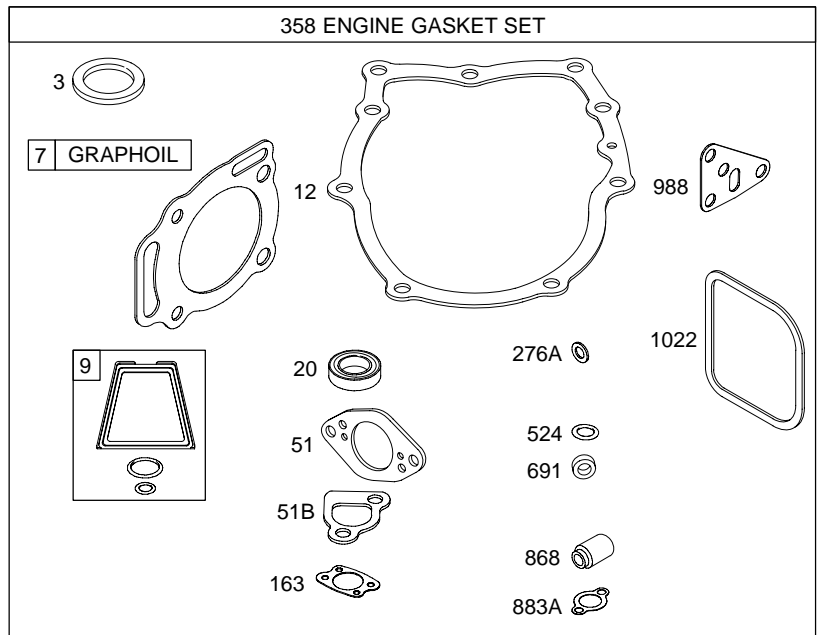
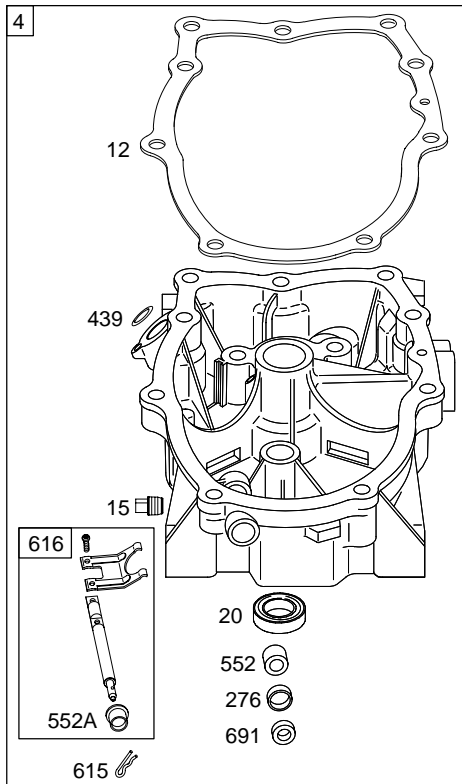
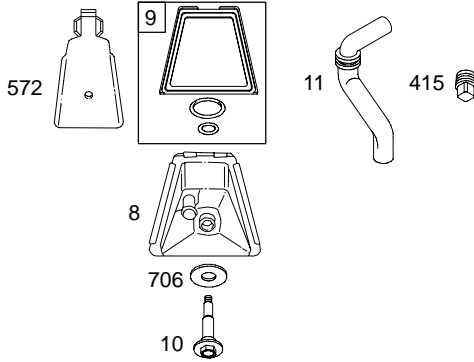
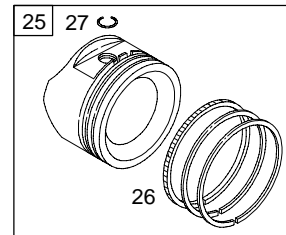
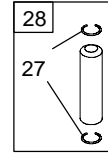
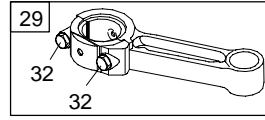
COPYRIGHT by BRIGGS & STRATTON CORPORATION
All rights reserved. No part of this material may be reproduced or transmitted, in any form or by any means, electronic or mechanical, including photocopying, recording or by any information storage and retrieval system, without permission in writing from Briggs & Stratton Corporation.



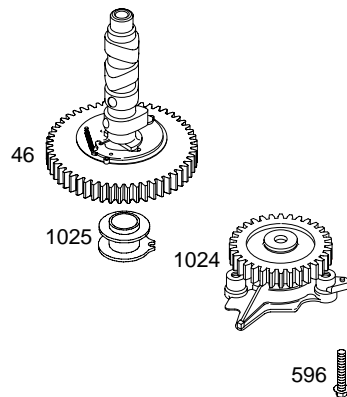
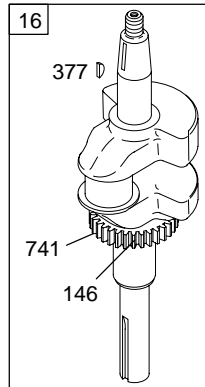
1019 LABEL KIT

1058 OWNER'S MANUAL

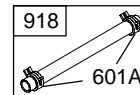
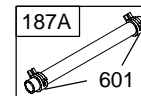
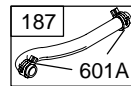
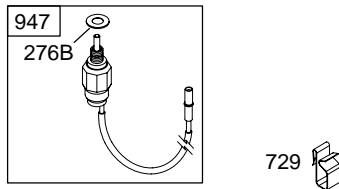
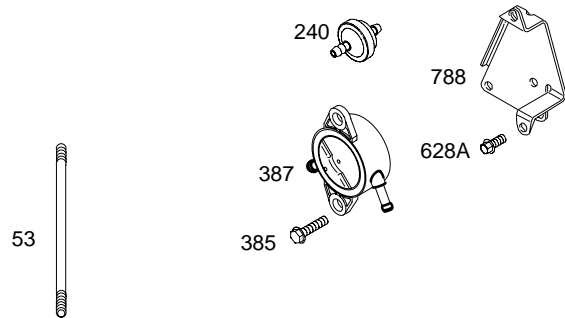
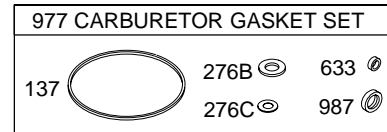
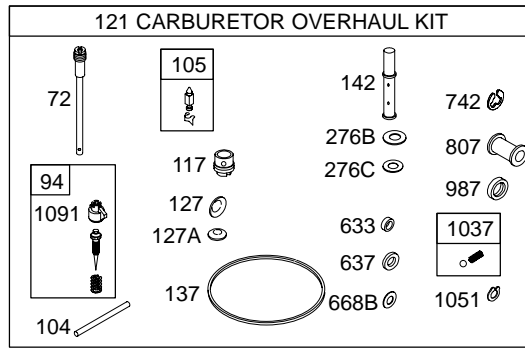
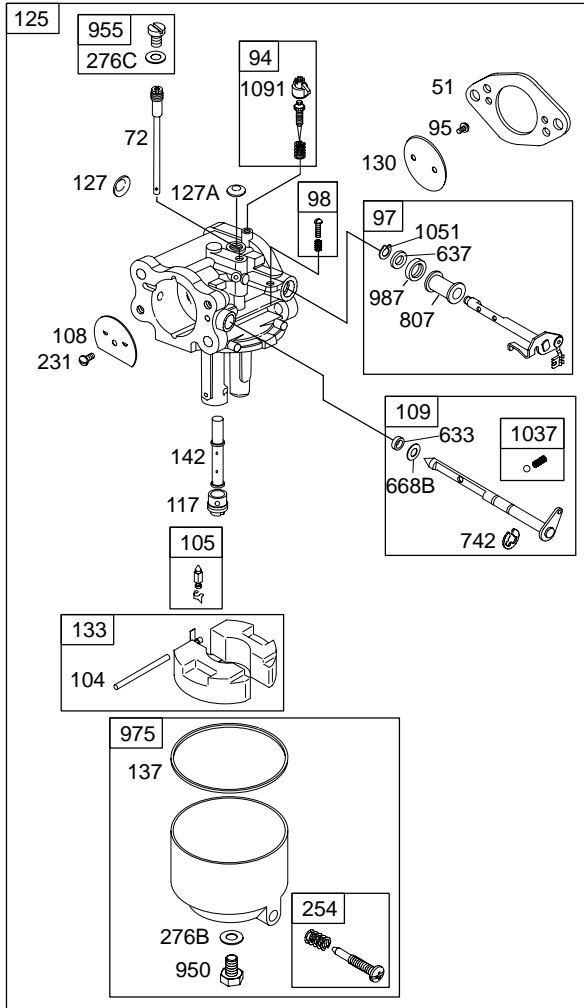
1330 REPAIR MANUAL



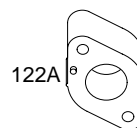
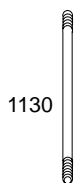
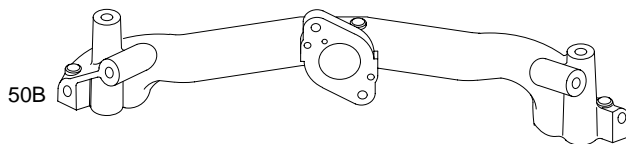
Illustrations cover a range of engines. Parts shown without corresponding text may not be used on your specific engine.
 6008-2 Assemblies include all parts shown in frames.

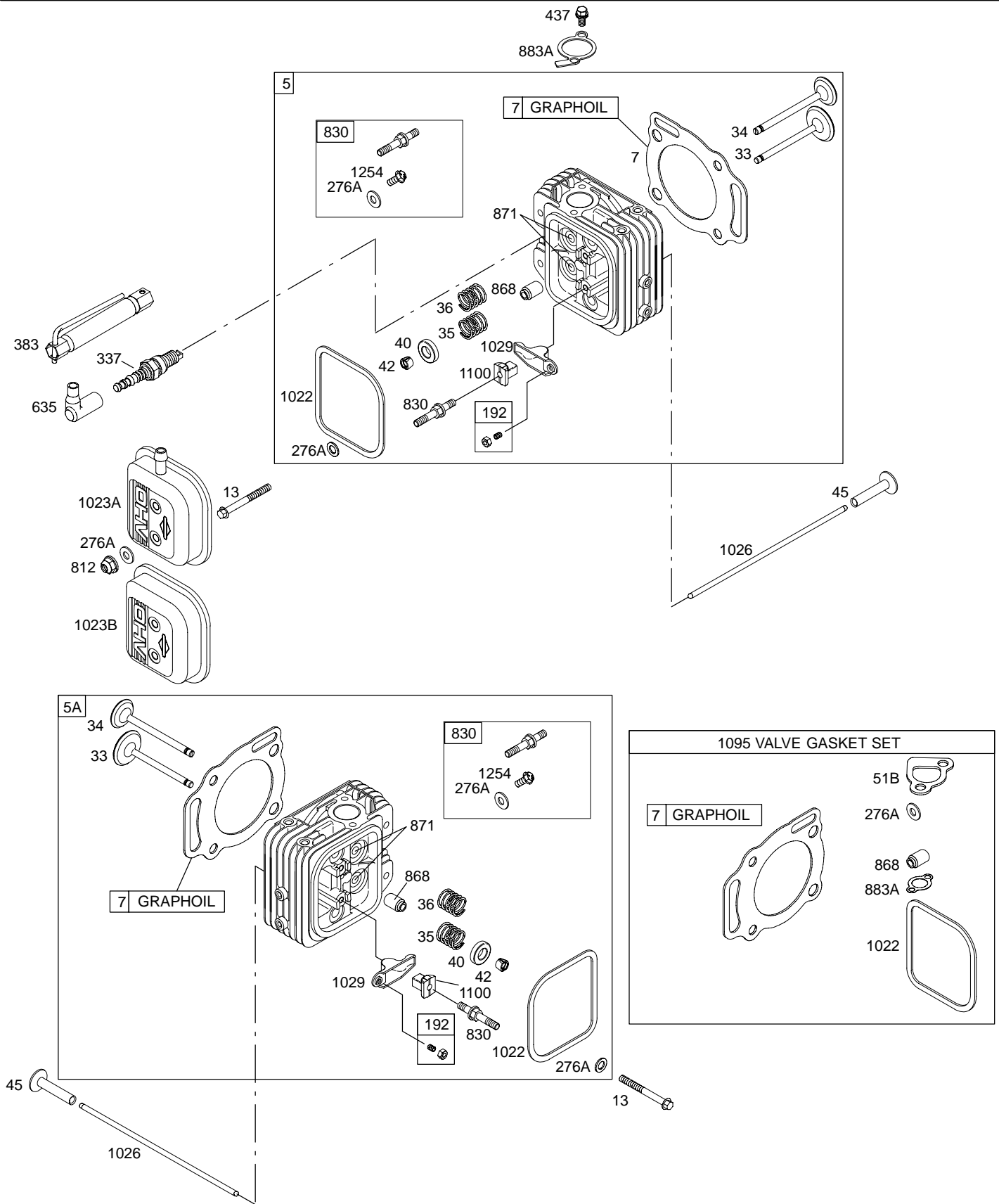


Illustrations cover a range of engines. Parts shown without corresponding text may not be used on your specific engine.
 6008-3 Assemblies include all parts shown in frames. 01/07/2005

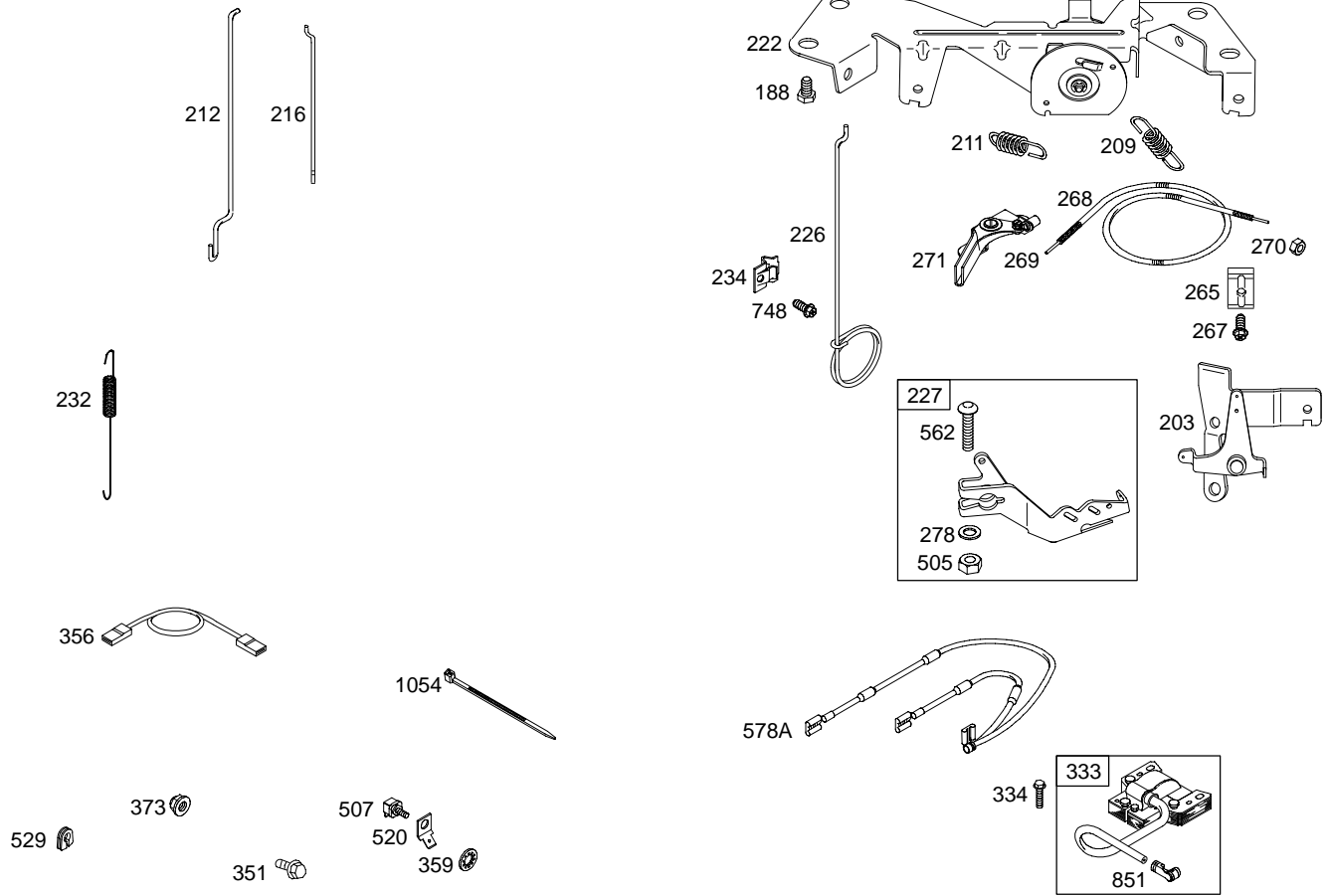


Illustrations cover a range of engines. Parts shown without corresponding text may not be used on your specific engine.
6008-4 Assemblies include all parts shown in frames. 01/07/2005



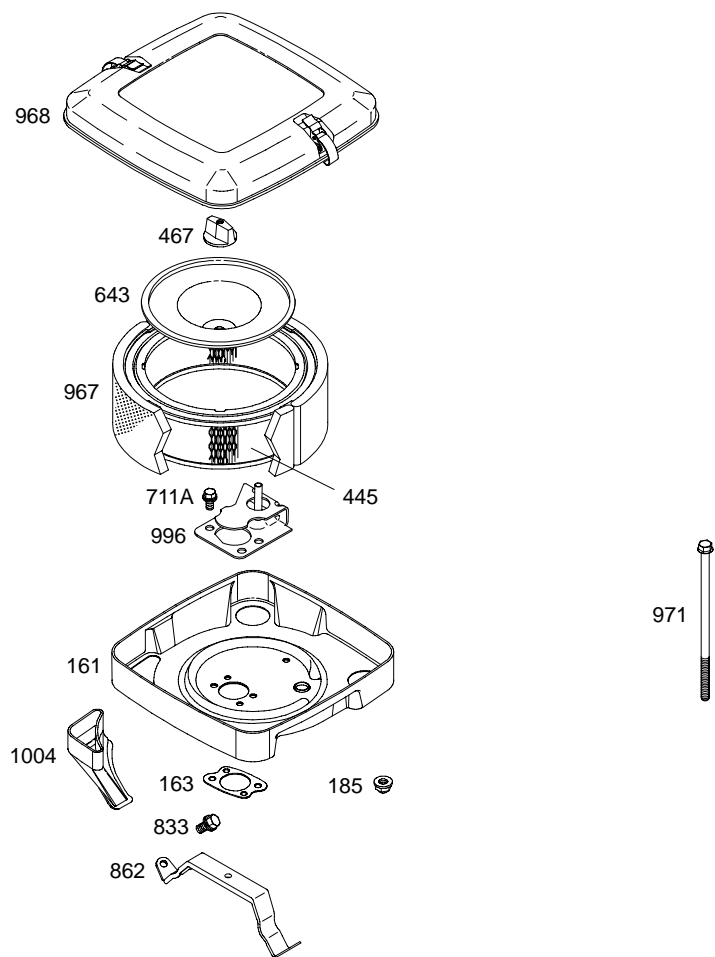


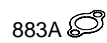
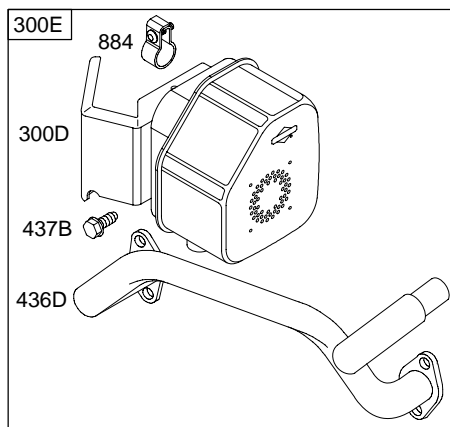
Illustrations cover a range of engines. Parts shown without corresponding text may not be used on your specific engine.
6008-6 Assemblies include all parts shown in frames. **01/07/2005**

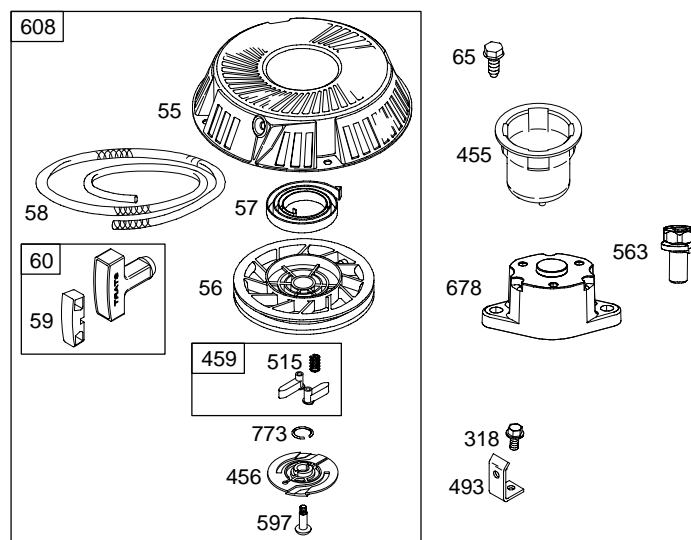


TRI CIRCUIT	5 – 9 AMP	10 – 16 AMP
474C	474C	474D
877B 	877B 	877C
878A 	578 	578
<p>NOTE: All stators use a No. 1119 mounting screw. </p> <p>NOTE: The proper flywheel part number and/or the alternator magnet size will determine the alternator type or output. See repair instruction manual for additional information.</p>	<p>526A </p> <p>501A </p>	<p>526 </p> <p>501 </p>

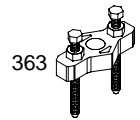
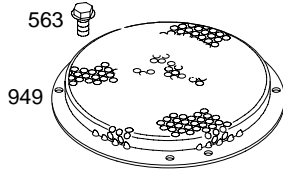
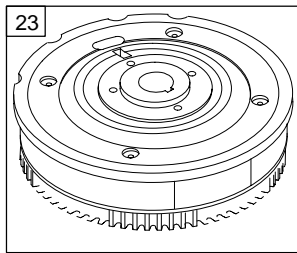
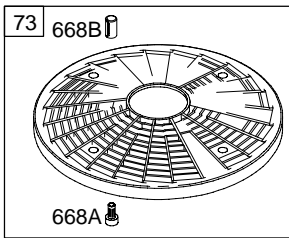
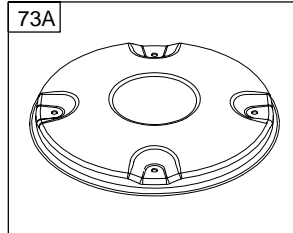
Illustrations cover a range of engines. Parts shown without corresponding text may not be used on your specific engine.
6008-7 Assemblies include all parts shown in frames. **01/07/2005**

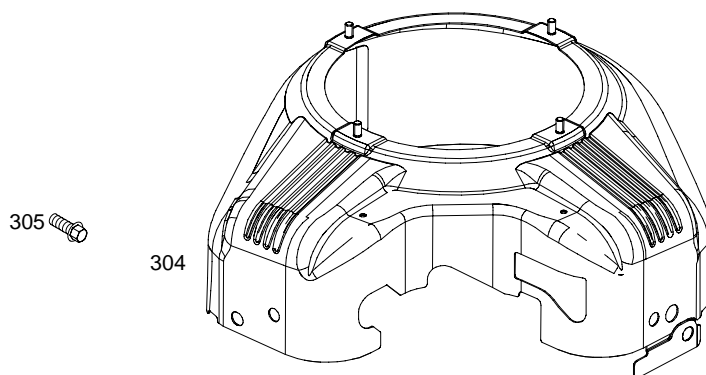






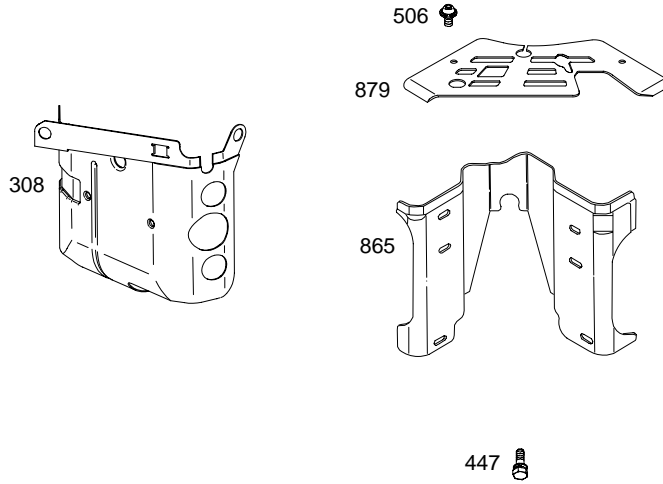
Illustrations cover a range of engines. Parts shown without corresponding text may not be used on your specific engine.



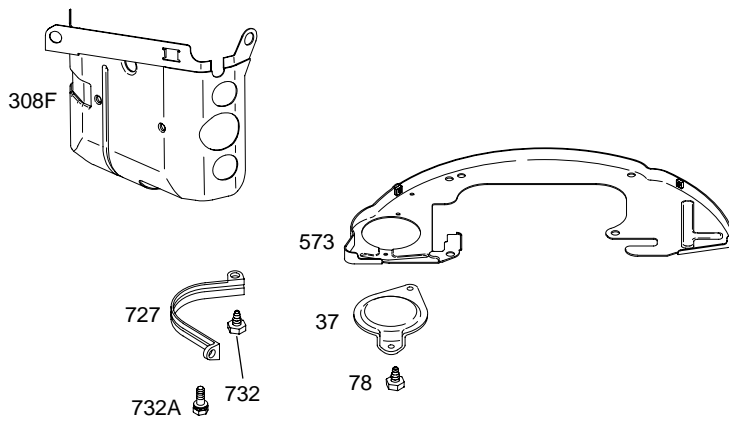


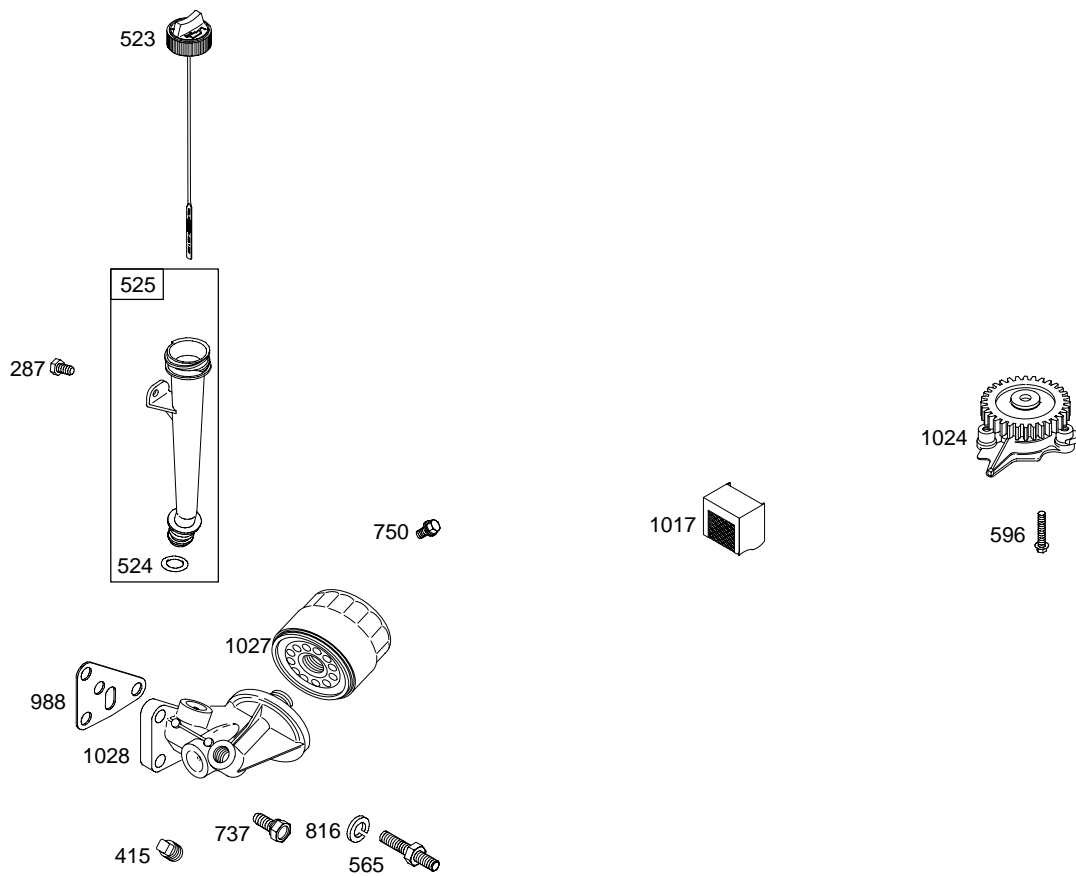
1036 EMISSION LABEL

729 



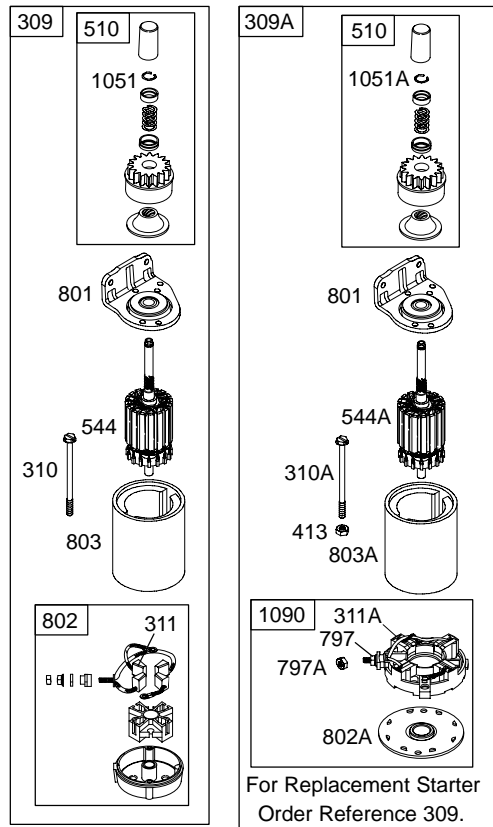
638





Illustrations cover a range of engines. Parts shown without corresponding text may not be used on your specific engine.
6008-14 Assemblies include all parts shown in frames. **01/07/2005**

697 



Illustrations cover a range of engines. Parts shown without corresponding text may not be used on your specific engine.

305700

REF. NO.	PART NO.	DESCRIPTION	REF. NO.	PART NO.	DESCRIPTION	REF. NO.	PART NO.	DESCRIPTION
1	692543	Cylinder Assembly	29	807900	Rod-Connecting (Standard)	73	494439	Screen-Rotating
2	808534	Kit-Bushing/Seal (Magneto Side)			Note			Note
3	★805101	Seal-Oil (Magneto Side)			807803 Rod-Connecting (.020" Undersize)			841440 Screen-Rotating Used on Type No(s). 0112, 0113.
4	808846	Sump-Engine	32	690698	Screw (Connecting Rod)	73A	841662	Screen-Rotating
5	809200	Head-Cylinder (Cylinder 1)	33	807681	Valve-Exhaust	74A	841441	Screw (Rotating Screen)
5A	809201	Head-Cylinder (Cylinder 2)	34	807680	Valve-Intake	78	690688	Screw (Flywheel Guard)
7	★△806085	Gasket-Cylinder Head	35	692084	Spring-Valve (Intake)	94	●808258	Kit-Idle Mixture
8	808988	Breather Assembly	36	692084	Spring-Valve (Exhaust)	95	690728	Screw (Throttle Valve)
9	★809094	Gasket-Breather	37	841309	Guard-Flywheel	97	808323	Shaft-Throttle
10	690751	Screw (Breather Assembly)	40	692058	Retainer-Valve	98	807705	Kit-Idle Speed
11	806083	Tube-Breather	42	807683	Keeper-Valve	104	●690739	Pin-Float Hinge
12	★691684	Gasket-Crankcase	45	690977	Tappet-Valve	105	●807706	Valve-Float Needle
13	692059	Screw (Cylinder Head)	46	691557	Camshaft	108	690729	Valve-Choke
15	690946	Plug-Oil Drain (Square Head)	50B	690754	Manifold-Intake	109	807711	Shaft-Choke
16	692159	Crankshaft	51	★691694	Gasket-Intake (Intake Manifold To Carburetor)	117	●806487	Jet-Main (Standard)
20	★805049	Seal-Oil (PTO Side)	51B	★△692035	Gasket-Intake (Manifold to Head)	121	808807	Kit-Carburetor Overhaul
22	807362	Screw (Crankcase Cover/Sump)	53	690746	Stud (Carburetor)	122A	690753	Spacer-Carburetor
23	841657	Flywheel	54	690676	Screw (Intake Manifold)	125	808728	Carburetor
		Note	55	691568	Housing-Rewind Starter	127	●690730	Plug-Welch
		841825 Flywheel Used on Type No(s). 0112, 0113.	56	692085	Pulley-Starter	127A	●690731	Plug-Welch
25	807619	Piston Assembly (Standard)	57	692086	Spring-Rewind Starter	130	690732	Valve-Throttle
		Note	58	66574	Rope-Starter (Cut To Required Length)	133	807710	Float-Carburetor
		807809 Piston Assembly (.020" Oversize)	59	805957	Insert-Grip	137	●806481	Gasket-Float Bowl
26	807620	Ring Set (Standard)	60	808167	Grip-Starter Rope	142	●806635	Nozzle-Carburetor (Standard)
		Note	65	691982	Screw (Rewind Starter)	146	691639	Key-Timing
		807810 Ring Set (.020" Oversize)	72	●806488	Tube-Jet	161	691561	Base-Air Cleaner (Metal)
27	690683	Lock-Piston Pin				163	★692081	Gasket-Air Cleaner
28	807621	Pin-Piston				185	690939	Nut (Air Cleaner Base)

★ Included in Engine Gasket Set-Ref. No. 358.

● Included in Carburetor Overhaul Kit-Ref. No. 121.

◆ Included in Carburetor Gasket Set-Ref. No. 977.

△ Included in Valve Gasket Set-Ref. No. 1095.

Illustrations cover a range of engines. Parts shown without corresponding text may not be used on your specific engine.

REF. NO.	PART NO.	DESCRIPTION	REF. NO.	PART NO.	DESCRIPTION	REF. NO.	PART NO.	DESCRIPTION
187	699883	Line-Fuel ———— Note ———— 296004 Line-Fuel Used on Type No(s). 0112, 0113.	278	842122	Washer (Governor Control Lever)	356	807063	Wire-Stop Used on Type No(s). 0113.
187A	841858	Line-Fuel	287	807084	Screw (Dipstick Tube)	357	691483	Key-Drive Pulley
188	692056	Screw (Control Bracket)	300D	807953	Muffler Used on Type No(s). 0110.	358	841188	Gasket Set-Engine
192	807623	Adjuster-Rocker Arm	300E	807969	Muffler Used on Type No(s). 0110.	359	691077	Washer (Ground Terminal)
203	690923	Crank-Bell	304	841658	Housing-Blower ———— Note ———— 841828 Housing- Blower Used on Type No(s). 0112, 0113.	363	19203	Puller-Flywheel
209	692070	Spring-Governor ———— Note ———— 692071 Spring- Governor Used on Type No(s). 0113.	305	692056	Screw (Blower Housing)	373	691612	Nut (Ground Terminal)
211	692069	Spring-Governed Idle	308	841232	Cover-Cylinder Head (Cylinder 1)	377	808095	Key-Woodruff
212	690712	Link-Throttle	308F	841182	Cover-Cylinder Head (Cylinder 2)	383	19374	Wrench-Spark Plug
216	690705	Link-Choke	309	691564	Motor-Starter	385	807084	Screw (Fuel Pump)
222	808454	Bracket-Control	309A		Motor-Starter (Services Steel Ring Gear Only)(For Replacement Starter Motor, See Reference 309)	387	808656	Pump-Fuel
226	692075	Rod-Hand Choke	310	496880	Screw (Starter Motor)	413	693587	Nut (Starter Motor)
227	690236	Lever-Governor Control	310A	690323	Screw (Starter Motor)	415	690283	Plug (Square Head)
231	690728	Screw (Choke Valve)	311	496887	Brush Set	436D	805778	Manifold-Exhaust (Wide Area Walker) Used on Type No(s). 0110.
232	692073	Spring-Governor Link	311A	497608	Brush Set	437	691902	Screw (Exhaust Manifold)
234	691723	Clip-Control Rod	318	841233	Screw (Mounting Bracket)	437B	692062	Screw (Exhaust Manifold)
240	691035	Filter-Fuel	333	492341	Armature-Magneto	439	692154	Seal-O Ring (Crankcase Cover/Sump)
254	807713	Drain-Carburetor Bowl	334	692066	Screw (Magneto Armature)	445	394018	Filter-Air Cleaner Cartridge
265	691024	Clamp-Casing	337	491055	Plug-Spark	447	807163	Screw (Air Guide Cover)
267	841552	Screw (Casing Clamp)	351	692083	Screw (Ground Terminal)	455	841794	Cup-Flywheel
268	691025	Casing-Control Wire (Cut To Required Length)				456	691529	Plate-Pawl Friction
269	691026	Wire-Control (Cut To Required Length)				459	808166	Pawl-Ratchet
270	691027	Nut (Control Wire Casing)				467	691985	Knob-Air Cleaner
271	691028	Lever-Control				474C	696457	Alternator (9 Amp Regulated) Used on Type No(s). 0110.
276	690704	Washer-Sealing				474D	696458	Alternator (10-16 Amp Regulated)
276A	★△807085	Washer-Sealing						
276B	◆●806476	Washer-Sealing						
276C	◆●806477	Washer-Sealing						

★ Included in Engine Gasket Set-Ref. No. 358.

● Included in Carburetor Overhaul Kit-Ref. No. 121.

◆ Included in Carburetor Gasket Set-Ref. No. 977.

△ Included in Valve Gasket Set-Ref. No. 1095.

Illustrations cover a range of engines. Parts shown without corresponding text may not be used on your specific engine.

305700

REF. NO.	PART NO.	DESCRIPTION	REF. NO.	PART NO.	DESCRIPTION	REF. NO.	PART NO.	DESCRIPTION
493	691503	Bracket-Mounting	601	841859	Clamp-Hose	773	690875	Retainer
501	691185	Regulator (3 Wire)(16 Amp)	601A	691038	Clamp-Hose	788	691559	Bracket-Fuel Pump
501A	691188	Regulator (2 Wire)(9 Amp)	608	841729	Starter-Rewind	797	693167	Nut (Brush Retainer)
505	690238	Nut (Governor Control Lever)	615	691550	Retainer-Governor Shaft	797A	691029	Nut (Brush Retainer)
506	690677	Screw (Carburetor Cover)	616	806685	Crank-Governor	801	808778	Cap-Drive
507	691972	Insulator	628A	806660	Screw (Fuel Pump Bracket)	802	496813	Cap-End
510	496881	Drive-Starter	633	◆690738	Seal-Choke/Throttle Shaft	802A	691286	Cap-End
515	691528	Spring-Pawl	635	692076	Boot-Spark Plug	803	690854	Housing-Starter
520	809077	Terminal-Ground	637	◆690735	Washer (Throttle Shaft)	803A	693547	Housing-Starter
523	692101	Dipstick	638	691551	Washer (Cylinder Head Cover)	807	◆690733	Spacer-Throttle
524	★693172	Seal-Dipstick Tube			(Used Before Code Date 03110100).	812	692055	Nut (Rocker Cover)
525	692093	Tube-Dipstick	643	692079	Retainer-Air Filter	816	690706	Washer (Oil Filter Adapter)
526	692067	Screw (Regulator)(10-16 Amp Regulated)	668A	691500	Spacer	819	692056	Screw (Muffler Bracket)
526A	690717	Screw (Regulator)(5 To 9 Amp Regulated)	668B	◆690737	Spacer	830	809157	Stud-Rocker Arm
529	690744	Grommet	678	841730	Spacer-Rewind	833	690872	Screw (Air Cleaner Mounting Strap/Stud)
544	690855	Armature-Starter	691	★690680	Seal-Governor Shaft	851	493880	Terminal-Spark Plug
544A	693548	Armature-Starter	697	692062	Screw (Drive Cap)	862	692542	Strap/Stud-Air Cleaner Mounting
552	690701	Bushing-Governor Crank	706	805484	Washer (Breather Assembly)	865	807119	Cover-Air Guide
552A	806686	Bushing-Governor Crank	711A	807084	Screw (Carburetor Shield)	868	★△691963	Seal-Valve
562	690239	Bolt (Governor Control Lever)	718	806469	Pin-Locating	871	692057	Bushing-Valve Guide
563	841735	Screw (Debris Screen Guard)	727	841313	Cover-Starter Drive	877B	399916	Wire/Connector- Alternator (2 Wires, 7-53/64" Long)(2 Bare Wire Ends, And Insulated Snap Connect Male Pin Terminal)
565	690682	Stud (Oil Filter Adapter)	729	690586	Clip-Wire	877C	393456	Wire/Connector- Alternator
572	690686	Baffle-Breather	732	690688	Screw (Starter Drive Cover)	878A	691237	Harness-Alternator (2 Wires, 48-1/2", And 48-1/2" Long)(Snap Connect Female Pin Terminal, And 2 Bare Wire Ends)
573	841310	Plate-Back	732A	841233	Screw (Starter Drive Cover)			
578	692306	Wire Assembly	737	690679	Screw (Oil Filter Adapter)			
578A	692319	Wire Assembly	741	691530	Gear-Timing			
596	691492	Screw (Oil Pump)	742	◆805578	Retainer-E Ring			
597	690876	Screw (Pawl Friction Plate)	748	692083	Screw (Control Rod Clip)			
			750	841233	Screw (Oil Pump Cover)			

★ Included in Engine Gasket Set-Ref. No. 358.

● Included in Carburetor Overhaul Kit-Ref. No. 121.

◆ Included in Carburetor Gasket Set-Ref. No. 977.

△ Included in Valve Gasket Set-Ref. No. 1095.

Illustrations cover a range of engines. Parts shown without corresponding text may not be used on your specific engine.

REF. NO.	PART NO.	DESCRIPTION	REF. NO.	PART NO.	DESCRIPTION	REF. NO.	PART NO.	DESCRIPTION
879	841861	Cover-Carburetor	975	807715	Bowl-Float	1037	●807717	Ball-Choke Locator
883A	★△691613	Gasket-Exhaust	977	808325	Gasket Set-Carburetor	1051	●690736	Ring-Retaining
884	690898	Clamp-Muffler	987	◆●691548	Seal-Throttle Shaft	1051A	691124	Ring-Retaining
918	393815	Hose-Vacuum (Cut To Required Length)	988	★692063	Gasket-Oil Adapter	1054	280275	Tie-Cable
947	806472	Solenoid-Fuel Used on Type No(s). 0112.	996	691577	Shield-Carburetor	1058	275071	Operator's Manual
949	690475	Guard-Debris Screen	1004	841656	Duct-Air	1090	691293	Retainer-Brush
950	691511	Screw-Float Bowl	1017	690878	Screen-Oil Pump	1091	691515	Cap-Limiter
955	807714	Plug-Carburetor	1019	808036	Kit-Label	1095	808392	Gasket Set-Valve
967	272490	Filter-Pre Cleaner	1022	★△806039	Gasket-Rocker Cover	1100	690973	Pivot-Rocker Arm
968	699959	Cover-Air Cleaner	1023A	691558	Cover-Rocker	1119	691552	Screw (Alternator)
971	807084	Screw (Air Cleaner Base to Carburetor)	1023B	691494	Cover-Rocker	1130	690746	Stud (Intake Manifold)
			1024	693186	Pump-Oil	1254	807084	Screw (Rocker Cover Stud)
			1025	690689	Spool-Governor	1330	272144	Repair Manual
			1026	691836	Rod-Push			
					————— Note —————			
					691758 Rod-Push			
			1027	492932	Filter-Oil			
			1028	808235	Adapter-Oil Filter			
			1029	807323	Arm-Rocker			
			1036	841636	Label-Emissions (Used After Code Date 04063000).			
					————— Note —————			
					806882 Label-Emissions (Used Before Code Date 04070100).			

★ Included in Engine Gasket Set-Ref. No. 358.

● Included in Carburetor Overhaul Kit-Ref. No. 121.

◆ Included in Carburetor Gasket Set-Ref. No. 977.

△ Included in Valve Gasket Set-Ref. No. 1095.

Illustrations cover a range of engines. Parts shown without corresponding text may not be used on your specific engine.