

**310700**

# Illustrated Parts List

## Model Series

# 310700

TYPE NUMBERS  
0101 through 0203.

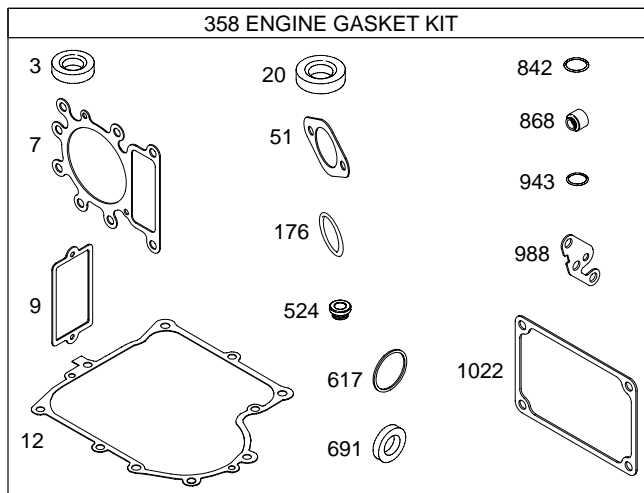
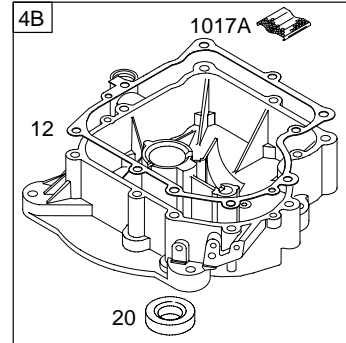
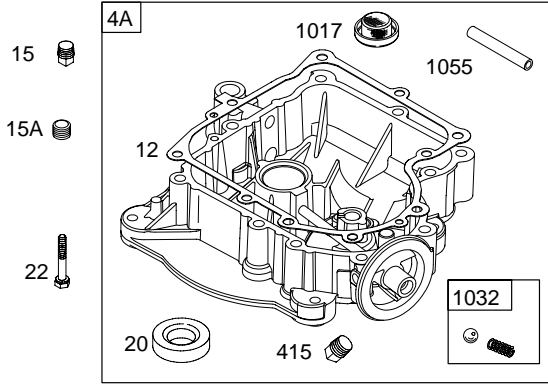
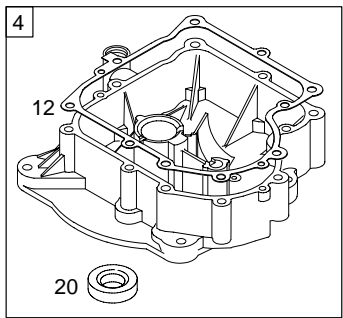
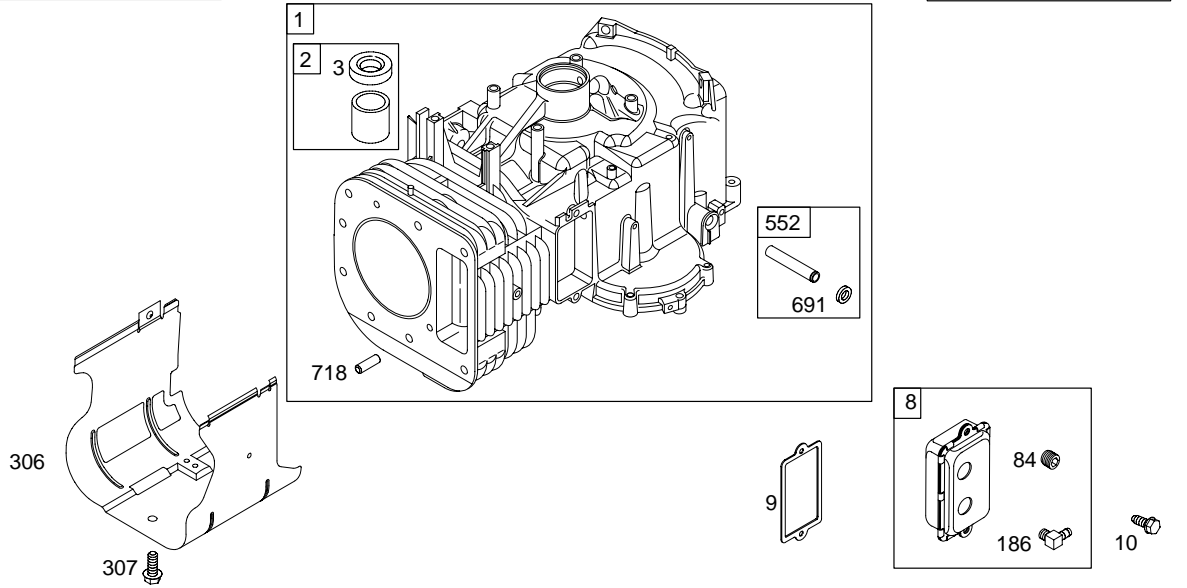
### TABLE OF CONTENTS

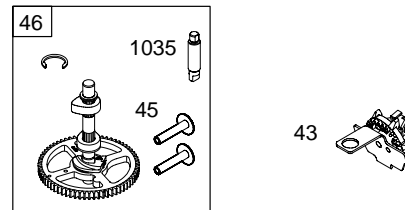
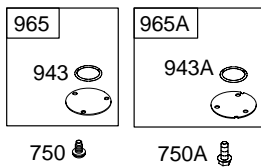
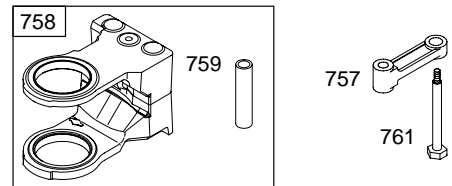
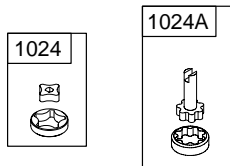
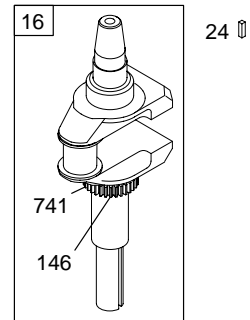
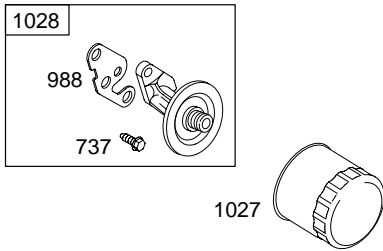
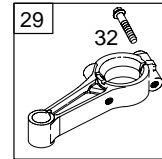
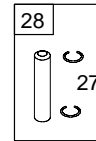
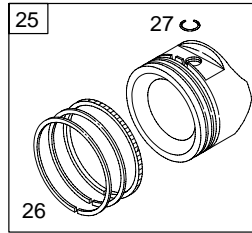
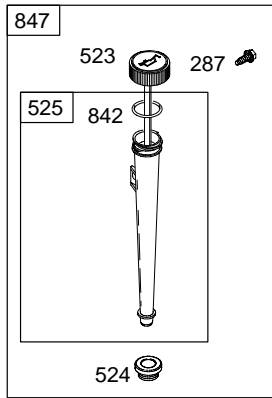
Air Cleaner .....	6
Alternator .....	8
Blower Housing .....	6
Cam .....	3
Carburetor .....	5
Controls .....	8
Crankcase Cover/Sump .....	2
Crankshaft .....	3
Cylinder .....	2
Electric Starter .....	7
Flywheel .....	7
Fuel .....	5
Head .....	4
Ignition .....	8
Kits/Gaskets – Carburetor .....	5
Kits/Gaskets – Engine .....	2
Kits/Gaskets – Valve .....	4
Oil .....	3
Piston .....	3

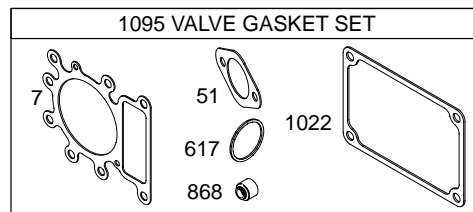
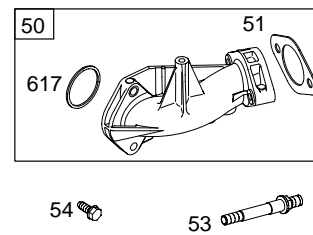
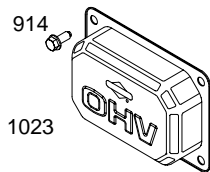
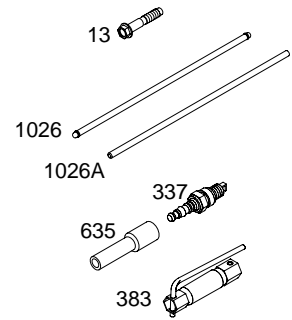
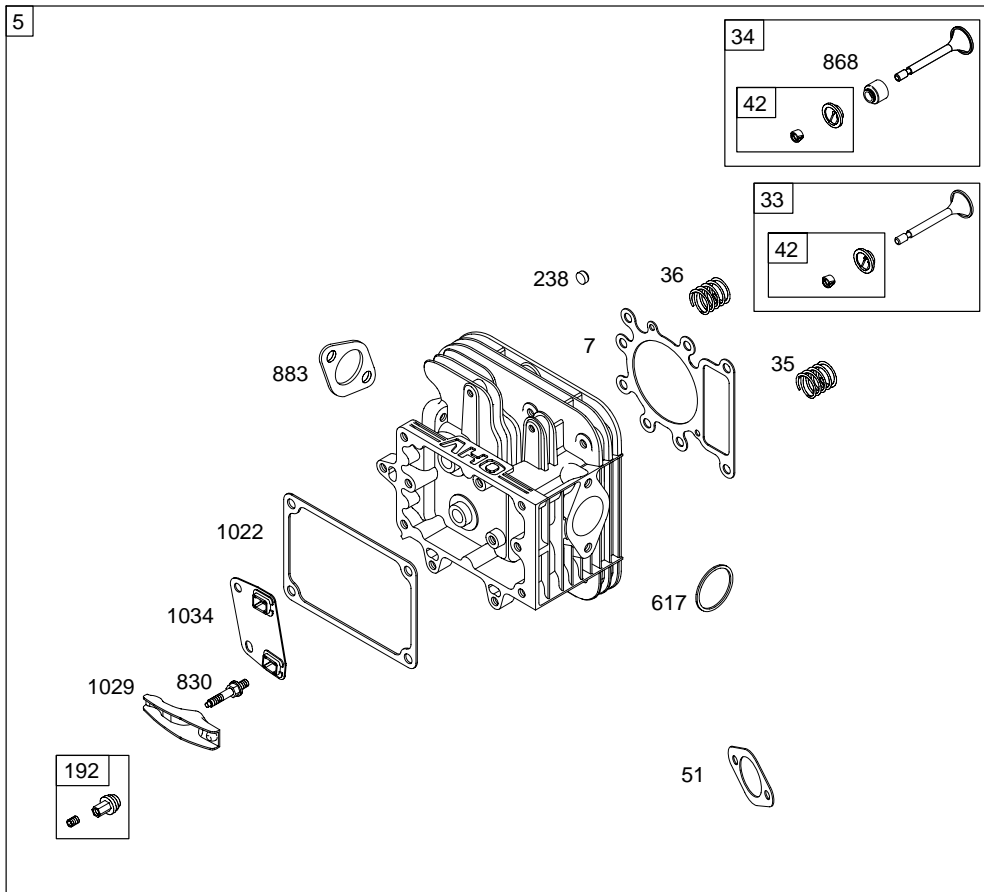


PRINTED IN U.S.A.

COPYRIGHT by BRIGGS & STRATTON CORPORATION  
All rights reserved. No part of this material may be reproduced or transmitted, in any form or by any means, electronic or mechanical, including photocopying, recording or by any information storage and retrieval system, without permission in writing from Briggs & Stratton Corporation.

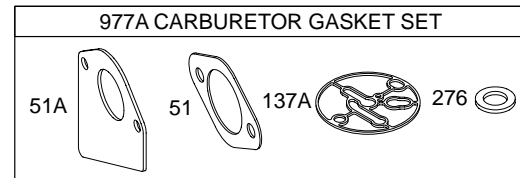
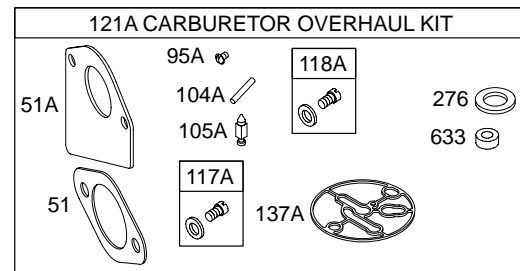
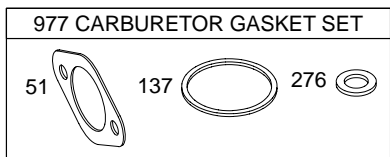
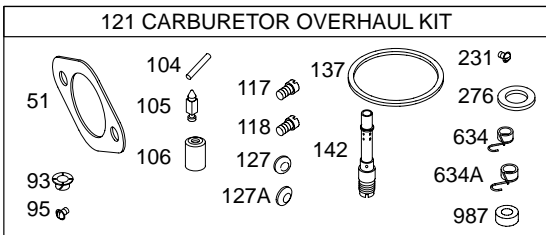
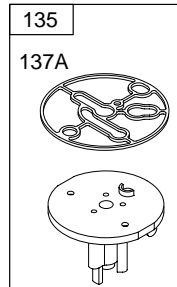
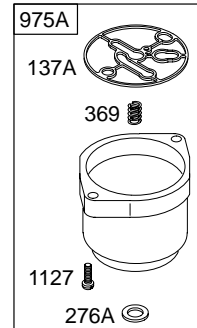
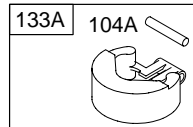
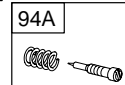
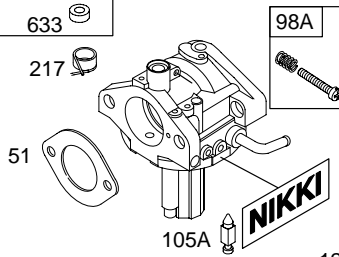
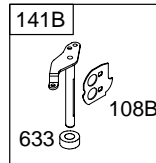
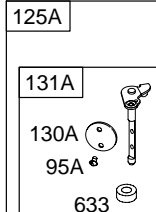
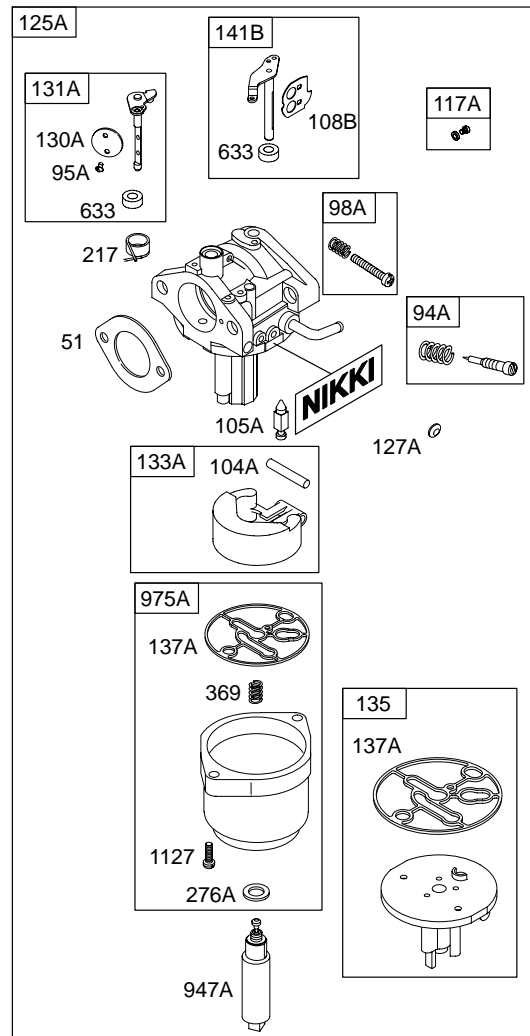
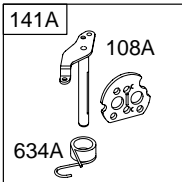
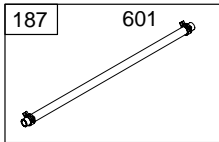
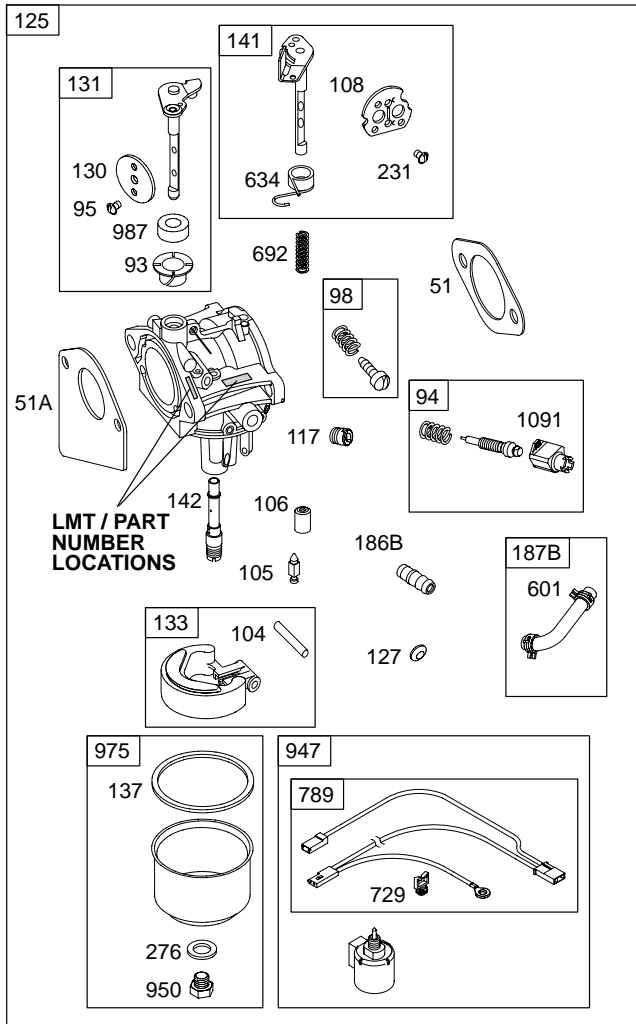






# WALBRO

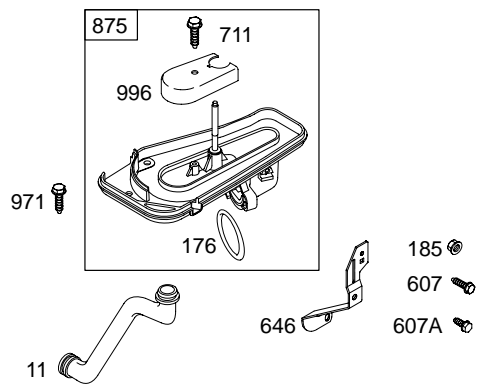
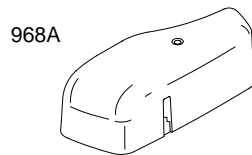
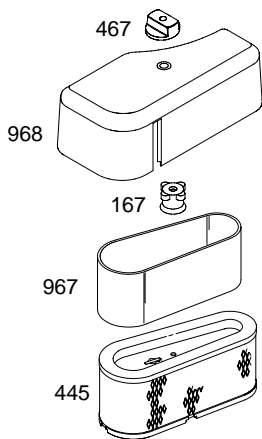
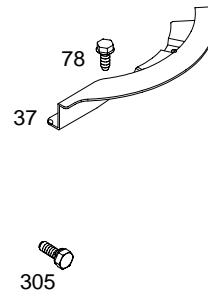
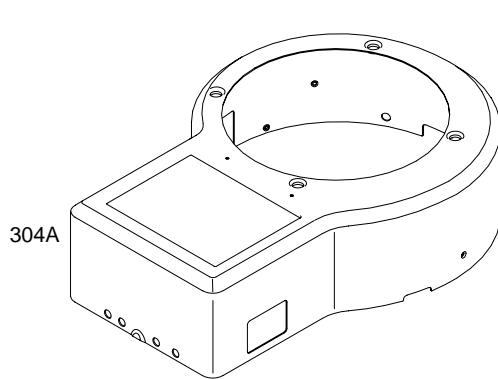
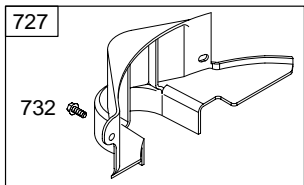
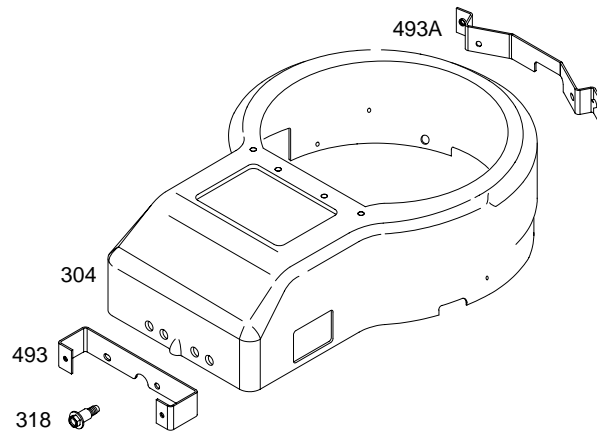
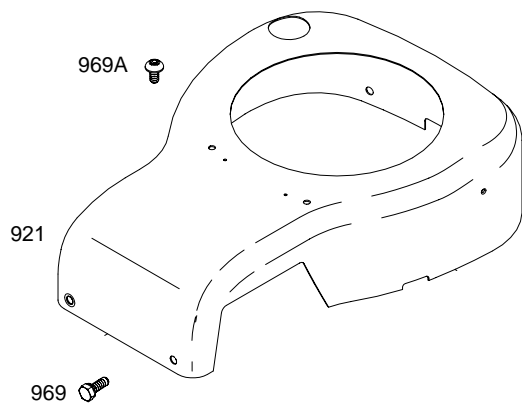
# NIKKI

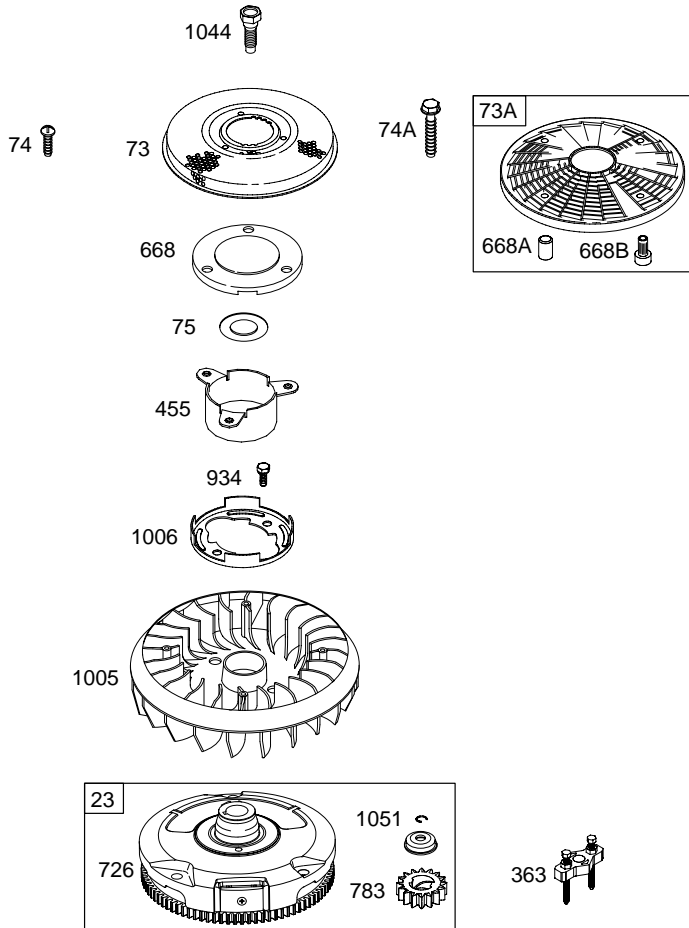
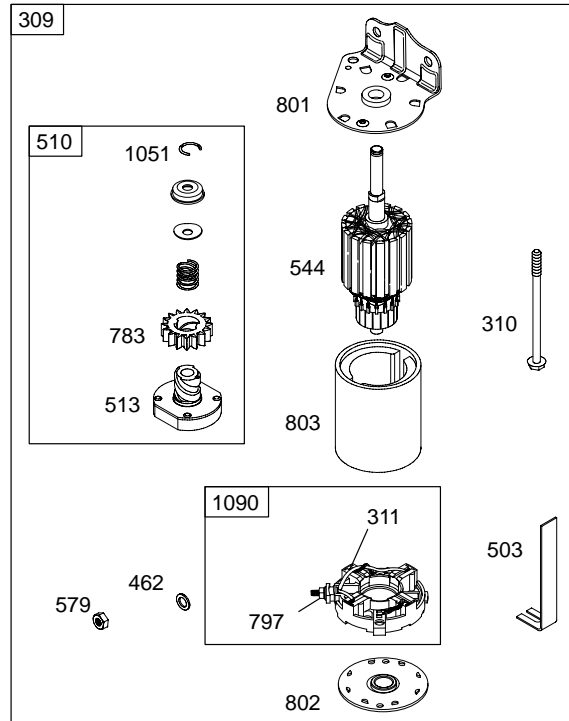


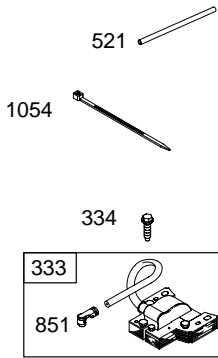
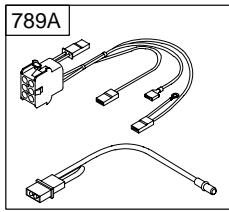
# 310700

1019 LABEL KIT

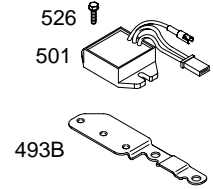
1036 EMISSIONS LABEL





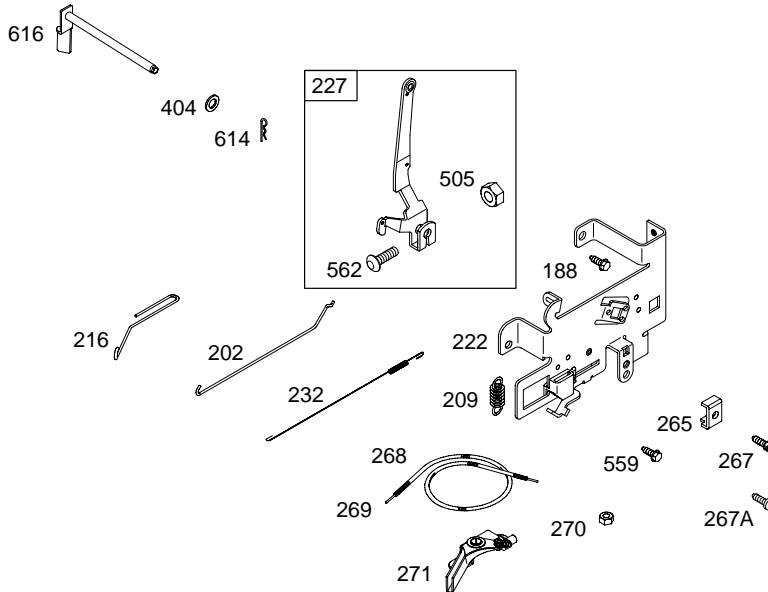


DUAL CIRCUIT		10 - 16 AMP	
474B	474D	877	877C
878	578		



**NOTE:** All stators use a Reference 1119 mounting screw.

**NOTE:** The proper flywheel part number and/or the alternator magnet size will determine the alternator type or output. See repair instruction manual for additional information.





REF. NO.	PART NO.	DESCRIPTION	REF. NO.	PART NO.	DESCRIPTION	REF. NO.	PART NO.	DESCRIPTION
1	690156	Cylinder Assembly	23	693557	Flywheel (Steel Ring Gear) ———— <b>Note</b> ————	45	690564	Tappet-Valve
2	399265	Kit-Bushing/Seal (Magneto Side)				46	698492	Camshaft (Used After Code Date 02111700). ———— <b>Note</b> ————
3	★391086	Seal-Oil (Magneto Side)			693556			790340
4	494238	Sump-Engine Used on Type No(s). 0101, 0113, 0114, 0130, 0132, 0135, 0136, 0137, 0139, 0203.	24	222698	Key-Flywheel			
4A	693582	Sump-Engine (Used After Code Date 98063000). Used on Type No(s). 0102, 0112, 0131, 0142.	25	692271	Piston Assembly (Standard) ———— <b>Note</b> ————	50	690193	Manifold-Intake
4B	496742	Sump-Engine (Used Before Code Date 98070100). Used on Type No(s). 0112.			692273		51	■692137
5	698148	Head-Cylinder			692274		51A	■692284
7	△★699168	Gasket-Cylinder Head	26	690162	Ring Set (Standard) ———— <b>Note</b> ————		53	690227
8	696126	Breather Assembly			690164		54	691148
9	★27803	Gasket-Breather			690166		73	690492
10	691666	Screw (Breather Assembly)	27	691299	Lock-Piston Pin		73A	494439
11	691328	Tube-Breather	28	498319	Pin-Piston (Standard) ———— <b>Note</b> ————		74	691655
12	★692226	Gasket-Crankcase (.015" Thick, Standard) ———— <b>Note</b> ————			690168		74A	698425
		★692406	29	692419	Rod-Connecting (Standard) ———— <b>Note</b> ————		75	690582
		Gasket-Crankcase (.005" Thick)			498320			
		★692405			692420		78	697561
		Gasket-Crankcase (.009" Thick)			692420			
13	690360	Screw (Cylinder Head)	32	692852	Screw (Connecting Rod)		84	690343
15	690946	Plug-Oil Drain (Standard)	33	695760	Valve-Exhaust		93	690602
15A	691680	Plug-Oil Drain (Flush)	34	695761	Valve-Intake		94	498030
16	690136	Crankshaft	35	691279	Spring-Valve (Intake)		94A	695425
20	★291675	Seal-Oil (PTO Side)	36	691279	Spring-Valve (Exhaust)		95	●691636
22	692125	Screw (Crankcase Cover/Sump)	37	690456	Guard-Flywheel		95A	●690718
			42	499586	Keeper-Valve			
			43	691968	Slinger-Governor/Oil		98	495800
							98A	695408
							104	●690525
							104A	●694918
							105	●231855
							105A	●694922
							106	●690577
							108	690464
							108A	692344
							108B	695419

★ Engine Gasket Set-Reference 358  
● Carburetor Overhaul Kit-Reference 121

◆ Carburetor Gasket Set-Reference 977  
∅ Valve Gasket Set-Reference 1095

# 310700

REF. NO.	PART NO.	DESCRIPTION	REF. NO.	PART NO.	DESCRIPTION	REF. NO.	PART NO.	DESCRIPTION
117	●692408	Jet—Main (Standard)	188	691693	Screw (Control Bracket)	304	690497	Housing—Blower (Black)
117A	●695415	Jet—Main (Standard)	192	691986	Adjuster—Rocker Arm	304A	690844	Housing—Blower (Red)
118	692411	Jet—Main (High Altitude)	202	691841	Link—Mechanical Governor			Used on Type No(s). 0136, 0137, 0142, 0203.
118A	●695416	Jet—Main (High Altitude)	209	692208	Spring—Governor (Green)	305	691108	Screw (Blower Housing)
121	690191	Kit—Carburetor Overhaul			<b>Note</b> 691795 Spring— Governor (Yellow) Used on Type No(s). 0114, 0139.	306	698454	Shield—Cylinder
121A	695427	Kit—Carburetor Overhaul	216	691840	Link—Choke	307	691003	Screw (Cylinder Shield)
125	698620	Carburetor (LMT 154, 155, 697481, 697482)	217	695409	Spring—Choke Return	309	693551	Motor—Starter
125A		Carburetor (Nikki Carburetor, Service With Walbro Carburetor)	222	694042	Bracket—Control	310	690323	Bolt (Starter Motor)
127	●695005	Plug—Welch	227	691374	Lever—Governor Control	311	497608	Brush Set
127A	●690727	Plug—Welch	231	●691636	Screw (Choke Valve)	318	692127	Screw (Mounting Bracket)
130	691750	Valve—Throttle	232	691842	Spring—Governor Link	333	492341	Armature—Magneto
130A	695418	Valve—Throttle	238	691843	Cap—Valve	334	691061	Screw (Magneto Armature)
131	494379	Kit—Throttle Shaft	240	298090	Fuel Filter (Red)	337	491055	Plug—Spark
131A	695421	Kit—Throttle Shaft			<b>Note</b> 394358 Filter—Fuel (White)			691043 Plug—Spark Used on Type No(s). 0203.
133	494381	Float—Carburetor	265	691024	Clamp—Casing	358	690189	Gasket Set—Engine
133A	694914	Float—Carburetor	267	690804	Screw (Casing Clamp)	363	19203	Puller—Flywheel
135	696142	Tube—Fuel Transfer	267A	695134	Screw (Casing Clamp) Used on Type No(s). 0130, 0131, 0136, 0137, 0203.	369	695422	Spring—Float Bowl
137	●281165	Gasket—Float Bowl	268	691025	Casing—Control Wire (Cut to Required Length)	383	89838	Wrench—Spark Plug
137A	●695426	Gasket—Float Bowl	269	691026	Wire—Control (Cut to Required Length)	404	691691	Washer (Governor Crank)
141	495097	Kit—Choke Shaft (LMT 155, 697482)	270	691027	Nut (Control Wire Casing)	415	690283	Plug (Oil Pressure Switch)
141A	495931	Kit—Choke Shaft (LMT 154, 697481)	271	691028	Lever—Control	445	496894	Filter—Air Cleaner Cartridge
141B	695420	Kit—Choke Shaft	276	●692255	Washer—Sealing	455	691173	Cup—Flywheel
142	●692412	Nozzle—Carburetor (Standard)	276A	●695410	Washer—Sealing	462	691261	Washer (Starter Cable)
146	691639	Key—Timing	287	691002	Screw (Dipstick Tube)	467	691668	Knob—Air Cleaner
167	692297	Seal—Air Cleaner Nut				474B	696459	Alternator (Dual Circuit)
176	★691917	Seal—O Ring (Air Cleaner Base)				474D	696458	Alternator (10 To 16 Amp Regulated) Used on Type No(s). 0114.
185	690958	Nut (Air Cleaner Base)						
186	691609	Connector—Hose (Breather Assembly)						
186A	692317	Connector—Hose (Carburetor)						
186B	698174	Connector—Hose (Carburetor)						
187	691050	Line—Fuel (Cut to Required Length)						
187B	699331	Line—Fuel (Molded) (Cut to Required Length)						

★ Engine Gasket Set—Reference 358  
● Carburetor Overhaul Kit—Reference 121

◆ Carburetor Gasket Set—Reference 977  
∅ Valve Gasket Set—Reference 1095

REF. NO.	PART NO.	DESCRIPTION	REF. NO.	PART NO.	DESCRIPTION	REF. NO.	PART NO.	DESCRIPTION
493	690493	Bracket-Mounting (Blower Housing Front)	634	●690801	Spring/Seal Assembly (LMT 155, 697482)	789	692037	Harness-Wiring (Carburetor)
493A	690494	Bracket-Mounting (Blower Housing Rear)	634A	●690802	Spring/Seal Assembly (LMT 154, 697481)	789A	698329	Harness-Wiring (Alternator)
493B	694475	Bracket-Mounting (Regulator)	635	691909	Boot-Spark Plug			Used on Type No(s). 0130, 0131, 0137, 0203, 0136.
501	691185	Regulator (10 To 16 Amp Regulated)	646	690460	Brace-Air Cleaner	797	693167	Nut (Brush Retainer)
503	691532	Strap-Strap	668	691323	Spacer (Rotating Screen)	801	691283	Cap-Drive
505	691251	Nut (Governor Control Lever)	668A	691215	Spacer (Rotating Screen) Used on Type No(s). 0136.	802	691286	Cap-End
510	693699	Drive-Starter (Used With Steel Ring Gear)	668B	691500	Spacer (Rotating Screen)	803	693757	Housing-Starter
513	692024	Clutch-Drive	691	★692407	Seal-Governor Shaft	830	691095	Stud-Rocker Arm
521	690581	Shield-Cable	692	690572	Spring-Detent	842	★691870	Seal-O Ring (Dipstick Tube)
523	692014	Dipstick	697	690372	Screw (Drive Cap)	847	496415	Dipstick/Tube Assembly
524	★281370	Seal-Dipstick Tube	711	690703	Screw (Carburetor Shield)	851	692424	Terminal-Spark Plug
525	691398	Tube-Dipstick	718	690959	Pin-Locating	868	Δ★690968	Seal-Valve
526	692598	Screw (Regulator)	726		Gear-Ring (Steel)	875	696129	Base-Air Cleaner
544	692034	Armature-Starter			(Sold In Flywheel Kit, Reference 23, Only)	877	393456	Wire/Connector-Alternator (Dual Circuit)
552	491986	Bushing-Governor Crank	727	490324	Cover-Starter Drive	877C	399916	Wire/Connector-Alternator
559	693675	Screw (Remote Choke Stop)	729	691335	Clip-Wire	878	691237	Harness-Alternator
562	691119	Bolt (Governor Control Lever)	729A	691224	Clip-Wire	883	★692236	Gasket-Exhaust
578	692306	Wire Assembly	732	691002	Screw (Starter Drive Cover)	914	691108	Screw (Rocker Cover)
579	691029	Nut (Starter Cable)	737	691118	Screw (Oil Filter Adapter)	921	692417	Cover-Blower Housing
601	95162	Clamp-Hose	741	691284	Gear-Timing	934	690372	Screw (Fan Retainer)
607	690703	Screw (Air Cleaner Brace)	750	691033	Screw (Oil Pump Cover) (Used After Code Date 98063000).	943	★690589	Seal-O Ring (Oil Pump Cover) (Used After Code Date 98063000).
607A	691693	Screw (Air Cleaner Brace)	750A	691108	Screw (Oil Pump Cover) (Used Before Code Date 98070100).	943A	★690604	Seal-O Ring (Oil Pump Cover) (Used Before Code Date 98070100).
614	691620	Pin-Cotter	757	691714	Link-Counterweight	947	692734	Solenoid-Fuel (Used After Code Date 98020300).
616	692012	Crank-Governor	758	692423	Counterweight			————— <b>Note</b> —————
617	Δ★692138	Seal-O Ring (Intake Manifold)	759	691239	Pin-Counterweight			497672 Solenoid-Fuel (Used Before Code Date 98020400).
633	●695414	Seal-Choke/Throttle Shaft	761	691096	Screw (Counterweight)	947A	695423	Solenoid-Fuel
			783	693713	Gear-Pinion	950	691657	Screw (Float Bowl)

★ Engine Gasket Set-Reference 358  
● Carburetor Overhaul Kit-Reference 121

◆ Carburetor Gasket Set-Reference 977  
∅ Valve Gasket Set-Reference 1095

# 310700

REF. NO.	PART NO.	DESCRIPTION	REF. NO.	PART NO.	DESCRIPTION	REF. NO.	PART NO.	DESCRIPTION
965	499613	Cover–Oil Pump (Used After Code Date 98063000).	1019	690180	Kit–Label	1044	698139	Screw (Flywheel)
965A	496745	Cover–Oil Pump (Used Before Code Date 98070100).	1022	Δ★272475	Gasket–Rocker Cover	1051	691265	Ring–Retaining
967	272403	Filter–Pre Cleaner	1023	691192	Cover–Rocker	1054	280275	Tie–Cable
968	691916	Cover–Air Cleaner	1024	499054	Pump–Oil (Used After Code Date 98063000).	1055	690528	Tube–Oil Pump
968A	692139	Cover–Air Cleaner	1024A	493884	Pump–Oil (Used Before Code Date 98070100).	1058	275935	Operator’s Manual
969	691108	Screw (Blower Housing Cover)	1026	692003	Rod–Push (Intake)	<b>Note</b>		MS5246 Operator’s Manual Used on Type No(s). 0102, 0112.
969A	690365	Screw (Blower Housing Cover)	1026A	692011	Rod–Push (Exhaust)	1059	698516	Kit–Screw/Washer (Alternator)
971	692129	Screw (Air Cleaner Base To Carburetor)	1027	492932	Filter–Oil	1090	691293	Retainer–Brush
975	495933	Bowl–Float	1028	496744	Adapter–Oil Filter	1091	691333	Cap–Limiter
975A	695417	Bowl–Float	1029	691751	Arm–Rocker	1095	690190	Gasket Set–Valve
977	690192	Gasket Set–Carburetor	1032	491710	Ball–Oil Pump	1119	691183	Screw (Alternator)
977A	695428	Gasket Set–Carburetor	1034	690822	Guide–Push Rod	1127	695407	Screw (Float Bowl)
987	●691326	Seal–Throttle Shaft	1035	693784	Shaft–Pump	1330	272147	Repair Manual
988	★691317	Gasket–Oil Adapter	1036	695700	Label–Emissions (Used After Code Date 00063000).	<b>Note</b>		694997 Label–Emissions (Used After Code Date 99093000 and Before Code Date 00070100).
996	690678	Shield–Carburetor			694332 Label–Emissions (Used After Code Date 98123100 and Before Code Date 99100100).			692468 Label–Emissions (Used Before Code Date 99010100).
1005	697853	Fan–Flywheel (Used After Code Date 02050800).						
		<b>Note</b>						
1006	690452	Retainer–Fan						
1017	690770	Screen–Oil Pump (Used After Code Date 98063000).						
1017A	691216	Screen–Oil Pump (Used Before Code Date 98070100).						

★ Engine Gasket Set–Reference 358  
● Carburetor Overhaul Kit–Reference 121

◆ Carburetor Gasket Set–Reference 977  
∅ Valve Gasket Set–Reference 1095