

319700

Illustrated Parts List

Model Series

319700

TYPE NUMBERS
0110.

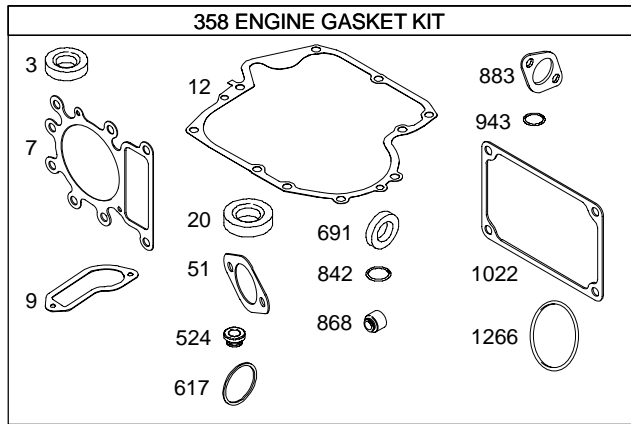
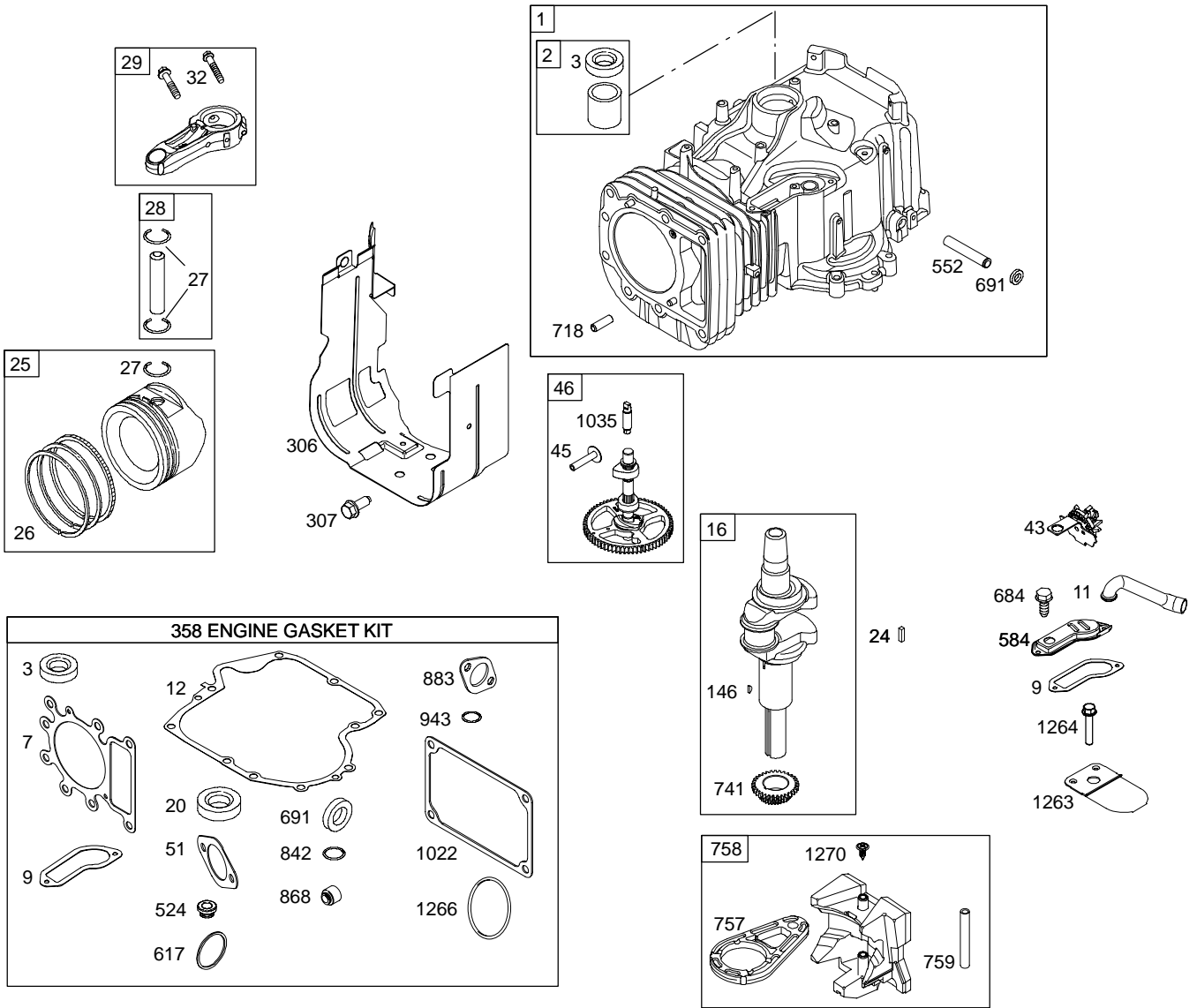
TABLE OF CONTENTS

Air Cleaner	6
Blower Housing	6
Camshaft	2
Carburetor	4
Controls	7
Crankshaft	2
Cylinder	2
Cylinder Head	3
Electric Starter	7
Engine Sump	2
Flywheel	6
Fuel Supply	4
Gasket Set – Engine	2
Gasket Set – Valve	3
Governor Spring	7
Ignition	7
Intake Manifold	3
Kit – Carburetor Overhaul	4
Lubrication	3
Piston, Rings, Connecting Rod	2
Valves	3



PRINTED IN U.S.A.

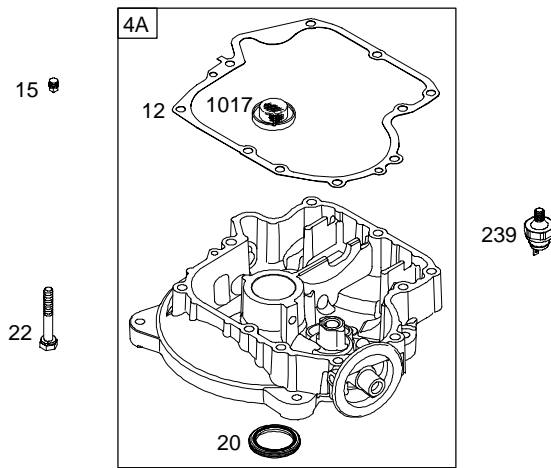
COPYRIGHT by BRIGGS & STRATTON CORPORATION
All rights reserved. No part of this material may be reproduced or transmitted, in any form or by any means, electronic or mechanical, including photocopying, recording or by any information storage and retrieval system, without permission in writing from Briggs & Stratton Corporation.



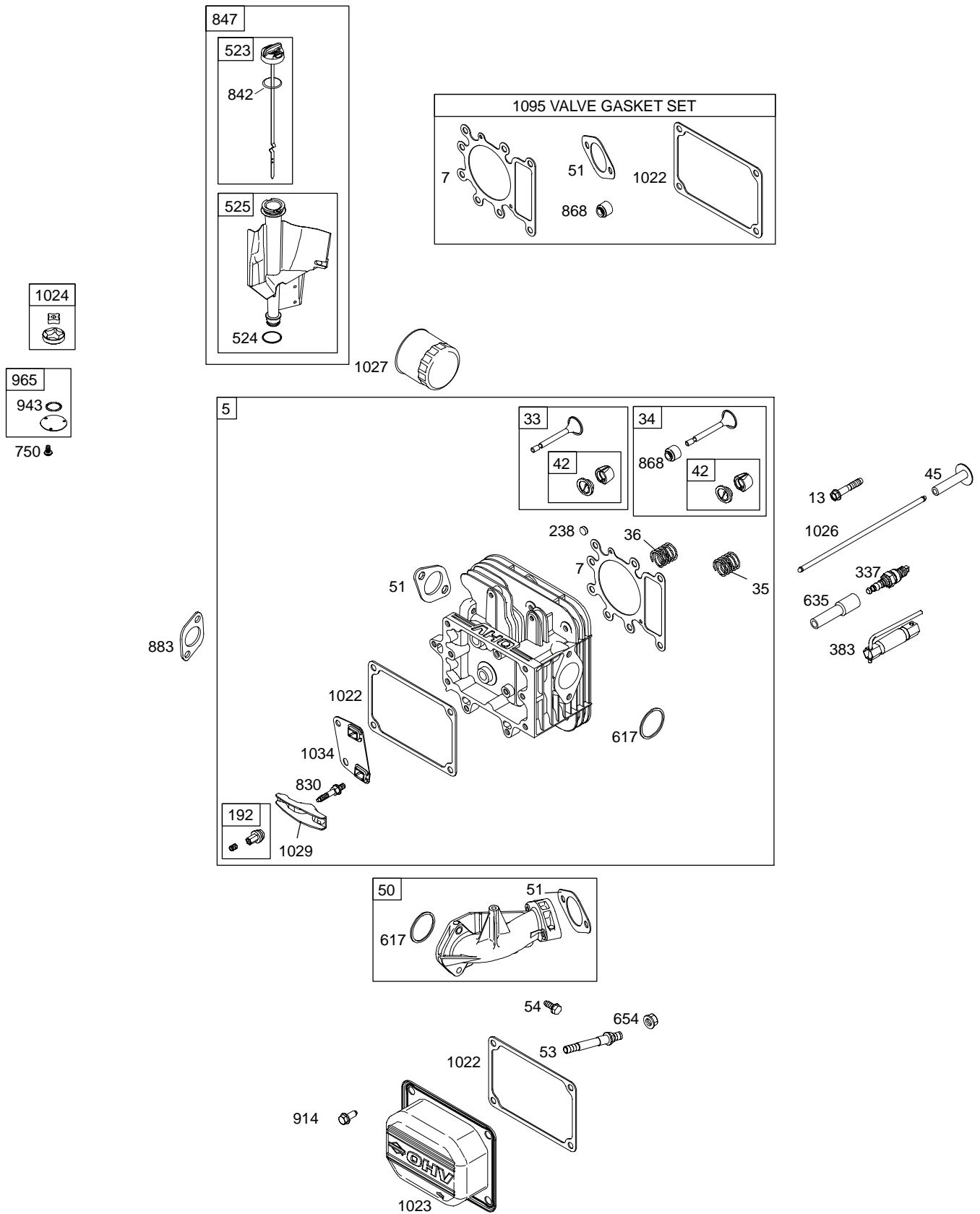
1019 LABEL KIT

1058 OWNER'S MANUAL

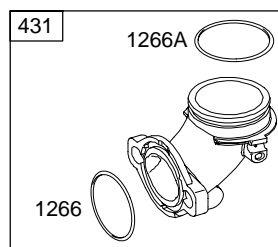
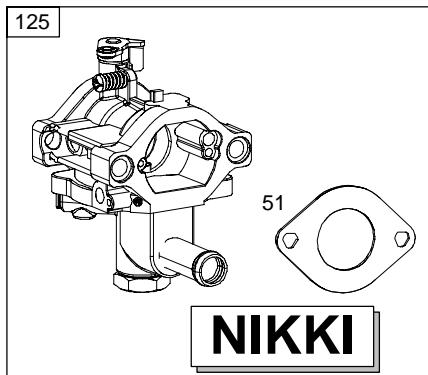
1330 REPAIR MANUAL



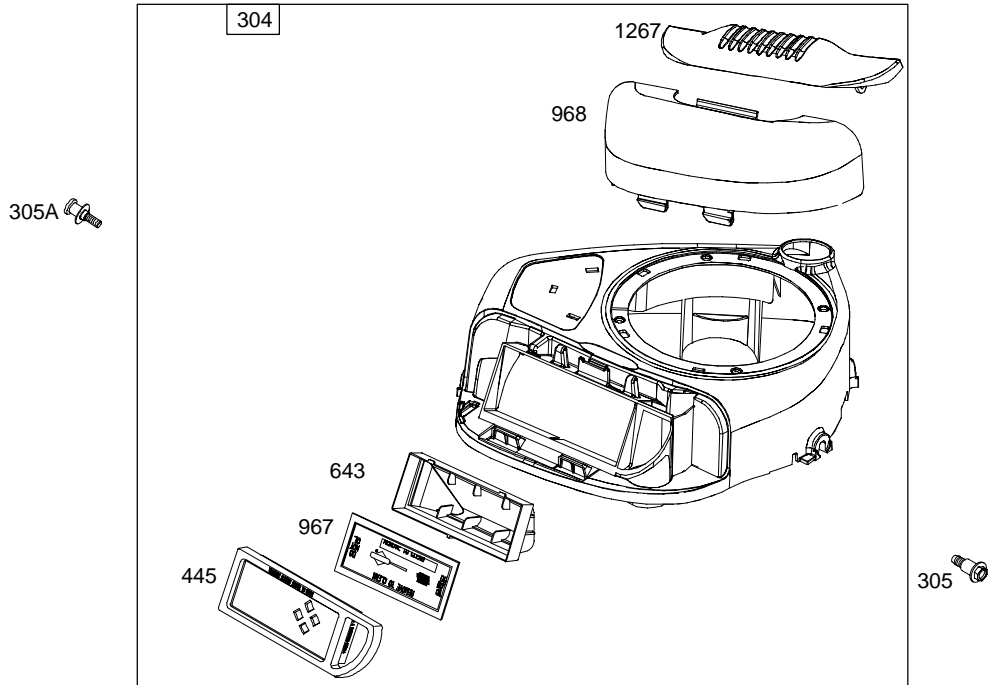
Illustrations cover a range of engines. Parts shown without corresponding text may not be used on your specific engine.



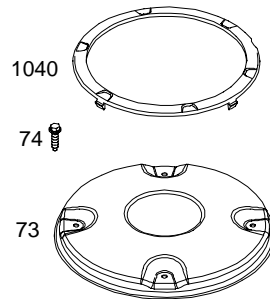
Illustrations cover a range of engines. Parts shown without corresponding text may not be used on your specific engine.
 6142-3 Assemblies include all parts shown in frames.



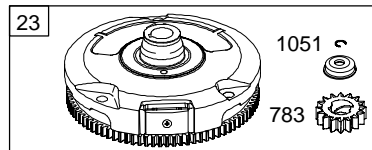
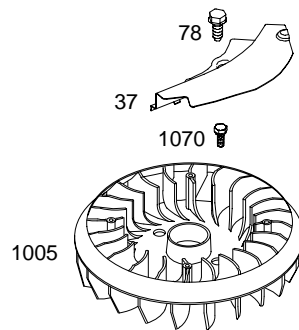
699018 LP CONVERSION KIT



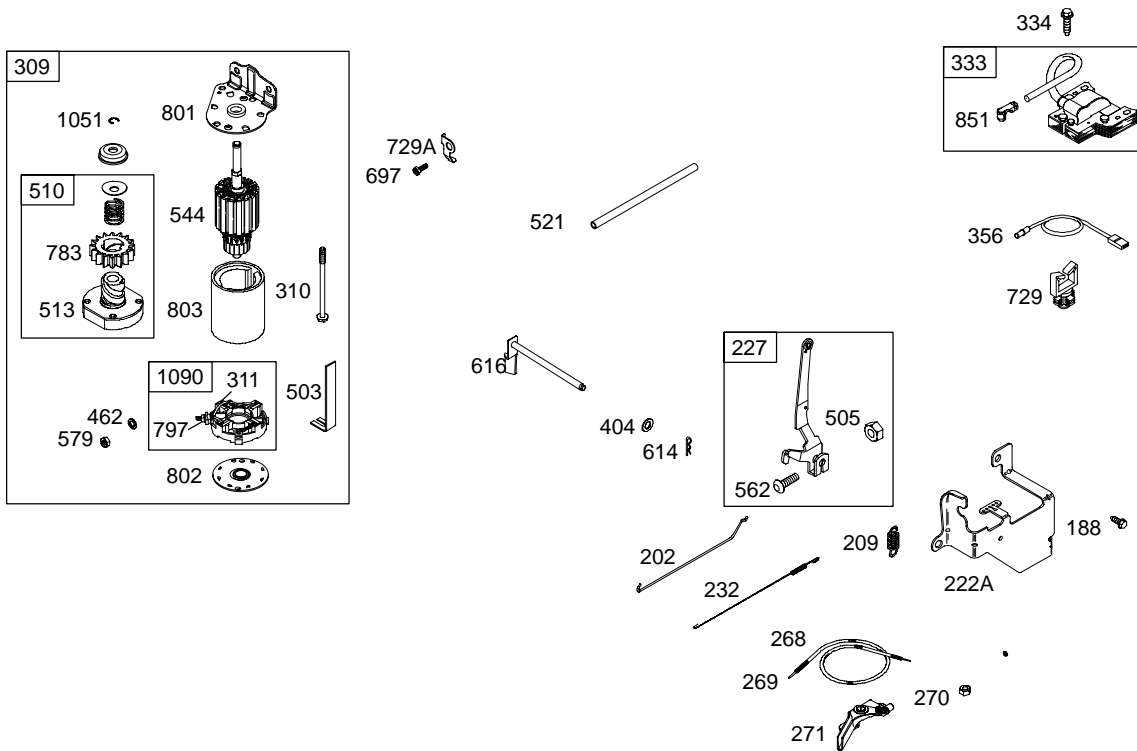
1036 EMISSION LABEL



Illustrations cover a range of engines. Parts shown without corresponding text may not be used on your specific engine.



Illustrations cover a range of engines. Parts shown without corresponding text may not be used on your specific engine.



Illustrations cover a range of engines. Parts shown without corresponding text may not be used on your specific engine.

319700

REF. NO.	PART NO.	DESCRIPTION	REF. NO.	PART NO.	DESCRIPTION	REF. NO.	PART NO.	DESCRIPTION
1	697174	Cylinder Assembly	32	692852	Screw (Connecting Rod)	306	697107	Shield-Cylinder
2	399265	Kit-Bushing/Seal (Magneto Side)	33	698370	Valve-Exhaust	307	691003	Screw (Cylinder Shield)
3	★391086	Seal-Oil (Magneto Side)	34	695761	Valve-Intake	309	693552	Motor-Starter
4A	790725	Sump-Engine	35	691279	Spring-Valve (Intake)	310	691263	Screw (Starter Motor)
5	790306	Head-Cylinder	36	691279	Spring-Valve (Exhaust)	311	497608	Brush Set
7	★△699168	Gasket-Cylinder Head	37	697352	Guard-Flywheel	333	492341	Armature-Magneto
9	★697109	Gasket-Breather	42	499586	Keeper-Valve	334	691061	Screw (Magneto Armature)
11	697113	Tube-Breather	43	691968	Slinger-Governor/Oil	337	491055	Plug-Spark
12	★697110	Gasket-Crankcase (.015" Thick)(Standard)	45	690564	Tappet-Valve	356	697397	Wire-Stop
13	690360	Screw (Cylinder Head)	46	698492	Camshaft	358	697191	Gasket Set-Engine
15	690946	Plug-Oil Drain (Square Head)	50	699028	Manifold-Intake	363	19203	Puller-Flywheel
16	699106	Crankshaft	51	★△692137	Gasket-Intake	383	89838	Wrench-Spark Plug
20	★690947	Seal-Oil (PTO Side)	53	690227	Stud (Carburetor)	404	691691	Washer (Governor Crank)
22	692125	Screw (Crankcase Cover/Sump)	54	691148	Screw (Intake Manifold)	431	697122	Elbow-Intake
23	693557	Flywheel	73	697133	Screen-Rotating	445	790722	Filter-Air Cleaner Cartridge (UL Recognized)
24	222698	Key-Flywheel	74	697897	Screw (Rotating Screen)	462	691261	Washer (Starter Cable)
25	699025	Piston Assembly (Standard)	78	691003	Screw (Flywheel Guard)	503	691532	Strap-Starter
		Note	125	790724	Carburetor (Nikki Mixer Assembly)	505	691251	Nut (Governor Control Lever)
		699040 Piston Assembly (.010" Oversize)	146	691639	Key-Timing	510	693699	Drive-Starter
		699041 Piston Assembly (.020" Oversize)	188	691693	Screw (Control Bracket)	513	692024	Clutch-Drive
		699042 Piston Assembly (.030" Oversize)	192	691986	Adjuster-Rocker Arm	521	690581	Shield-Cable
26	699026	Ring Set (Standard)	202	691841	Link-Mechanical Governor	523	699908	Dipstick
		Note	209	690480	Spring-Governor	524	★691032	Seal-Dipstick Tube
		697165 Ring Set (.010" Oversize)	222A	694335	Bracket-Control	525	697184	Tube-Dipstick
		697171 Ring Set (.020" Oversize)	227	694339	Lever-Governor Control	544	NULL	Armature-Starter
		697172 Ring Set (.030" Oversize)	232	691842	Spring-Governor Link	552	697144	Bushing-Governor Crank
27	698469	Lock-Piston Pin	238	691843	Cap-Valve	562	691119	Bolt (Governor Control Lever)
28	697099	Pin-Piston (Standard)	239	694115	Switch-Oil Pressure	579	691029	Nut (Starter Cable)
29	697126	Rod-Connecting (Standard)	268	691025	Casing-Control Wire (Cut To Required Length)	584	697112	Cover-Breather Passage
		Note	269	691026	Wire-Control (Cut To Required Length)	614	691620	Pin-Cotter
		697263 Rod-Connecting (.020" Undersize)	270	691027	Nut (Control Wire Casing)	616	692012	Crank-Governor
			271	691028	Lever-Control	617	★692138	Seal-O Ring (Intake Manifold)
			304	790719	Housing-Blower (Black)	635	691909	Boot-Spark Plug
			305	697102	Screw (Blower Housing)	643	698401	Retainer-Air Filter
			305A	697103	Screw (Blower Housing)	654	690958	Nut (Carburetor)

★ Included in Engine Gasket Set-Ref. No.358.

△ Included in Valve Gasket Set-Ref. No 1095.

Illustrations cover a range of engines. Parts shown without corresponding text may not be used on your specific engine.

REF. NO.	PART NO.	DESCRIPTION	REF. NO.	PART NO.	DESCRIPTION	REF. NO.	PART NO.	DESCRIPTION
684	697157	Screw (Breather Passage Cover)	847	790442	Dipstick/Tube Assembly	1027	492932	Filter–Oil
691	★692407	Seal–Governor Shaft	851	692424	Terminal–Spark Plug	1029	691751	Arm–Rocker
697	690372	Screw (Drive Cap)	868	★△690968	Seal–Valve	1034	690822	Guide–Push Rod
718	690959	Pin–Locating	883	★692236	Gasket–Exhaust	1035	693784	Shaft–Pump
729	691335	Clip–Wire (Wire Saddle)	914	691108	Screw (Rocker Cover)	1036	790711	Label–Emissions
729A	691224	Clip–Wire (Aluminum Coated Steel)	943	★690589	Seal–O Ring (Oil Pump Cover)	1040	698368	Plate–Trim
741	697128	Gear–Timing	965	499613	Cover–Oil Pump	1044	698139	Screw (Flywheel)
750	691033	Screw (Oil Pump Cover)	967	697015	Filter–Pre Cleaner	1051	691265	Ring–Retaining
757	697607	Link–Counterweight	968	790723	Cover–Air Cleaner (Black)	1058	275935	Operator’s Manual
758	697134	Counterweight	1005	699043	Fan–Flywheel	1070	690372	Screw (Flywheel Fan)
759	697392	Pin–Counterweight	1017	690770	Screen–Oil Pump (Push In)	1090	691293	Retainer–Brush
783	693713	Gear–Pinion	1019	697143	Kit–Label	1095	690190	Gasket Set–Valve
797	693167	Nut (Brush Retainer)	1022	★△272475	Gasket–Rocker Cover	1263	697124	Reed–Breather
801	691283	Cap–Drive	1023	692492	Cover–Rocker	1264	697104	Screw (Breather Reed)
802	691286	Cap–End	1024	499054	Pump–Oil	1266	★691917	Seal–O Ring (Intake Elbow)
803	NULL	Housing–Starter	1026	692003	Rod–Push (Intake)	1266A	697123	Seal–O Ring (Intake Elbow)
830	691095	Stud–Rocker Arm			Note _____	1267	790716	Latch–Blower Housing
842	★691031	Seal–O Ring (Dipstick Tube)			692011 Rod–Push (Exhaust)	1270	697156	Plug–AVS Counterweight
						1330	272147	Repair Manual

★ Included in Engine Gasket Set–Ref. No.358.

△ Included in Valve Gasket Set–Ref. No 1095.

Illustrations cover a range of engines. Parts shown without corresponding text may not be used on your specific engine.