

31A700

Illustrated Parts List Model Series 31A700

TYPE NUMBERS
0112, 0335.

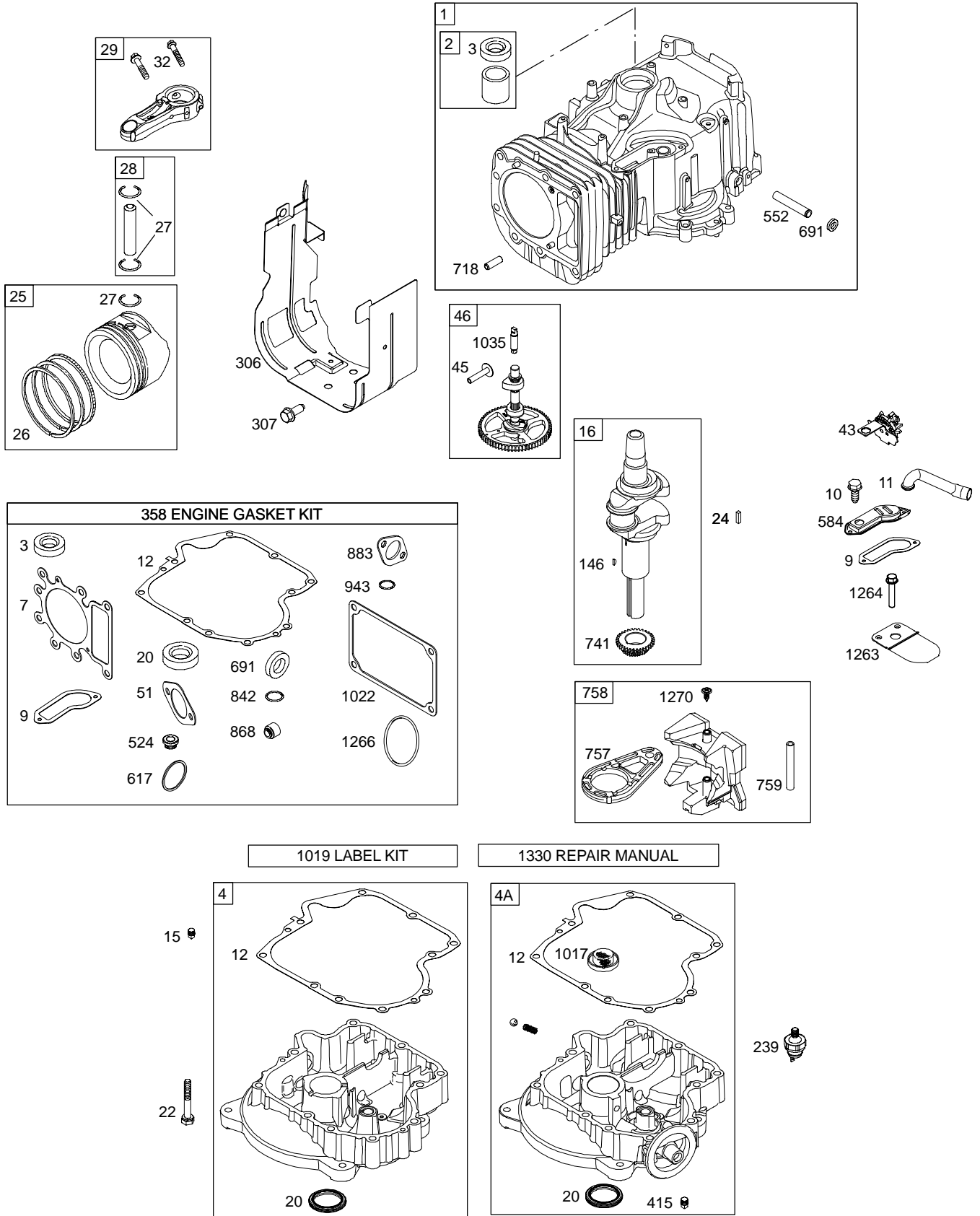
TABLE OF CONTENTS

Air Cleaner	5
Alternator	7
Blower Housing	5
Camshaft	2
Carburetor	4
Controls	7
Crankshaft	2
Cylinder	2
Cylinder Head	3
Electric Starter	7
Engine Sump	2
Flywheel	6
Fuel Supply	4
Gasket Set – Engine	2
Gasket Set – Valve	3
Governor Spring	7
Ignition	7
Kit – Carburetor Overhaul	4
Lubrication	3
Piston, Rings, Connecting Rod	2
Valves	3

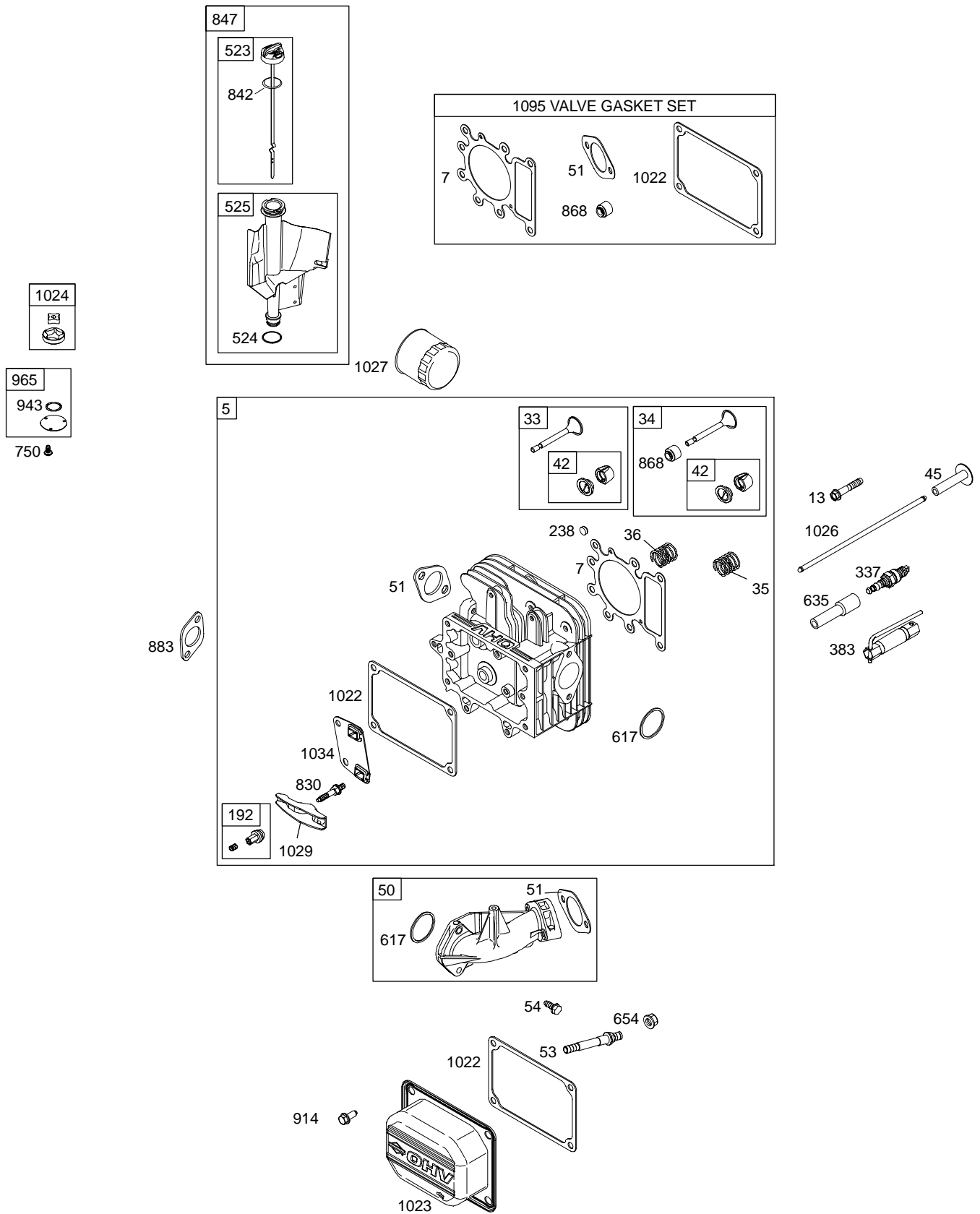


PRINTED IN U.S.A.

COPYRIGHT by BRIGGS & STRATTON CORPORATION
All rights reserved. No part of this material may be reproduced or transmitted,
in any form or by any means, electronic or mechanical, including photocopying,
recording or by any information storage and retrieval system, without permission
in writing from Briggs & Stratton Corporation.

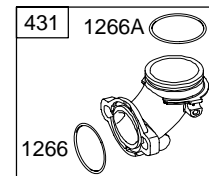
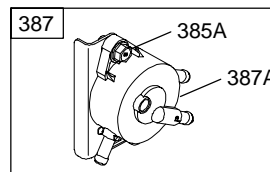
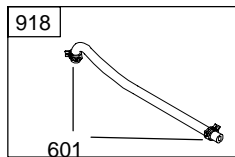
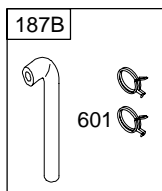
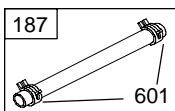
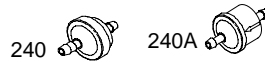
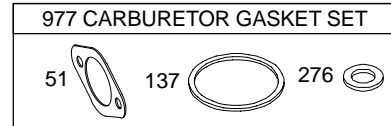
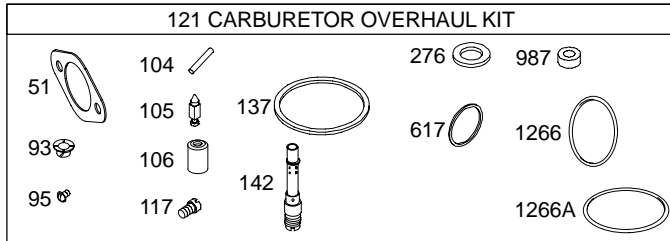
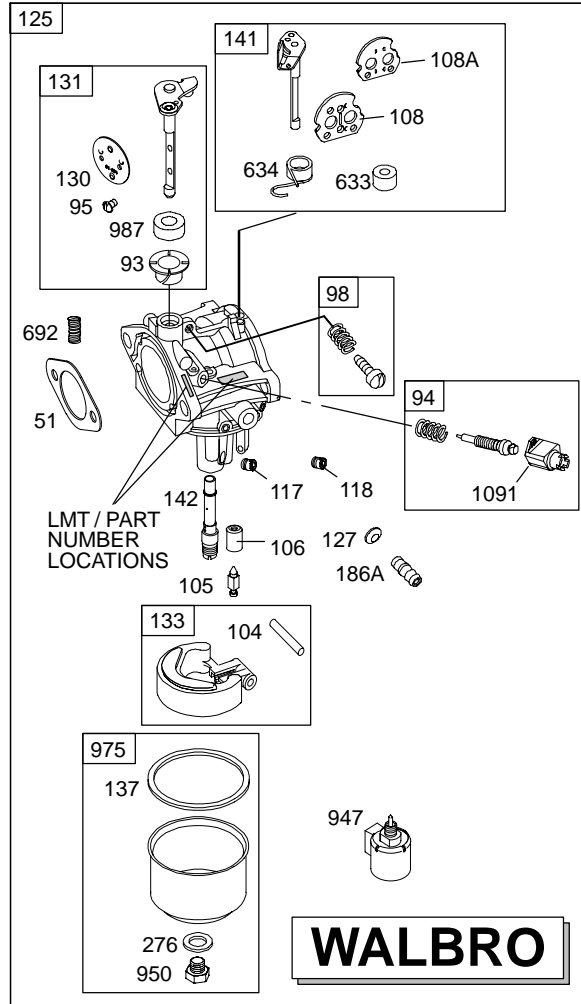
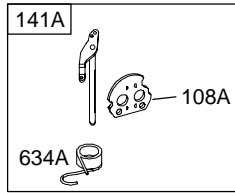


Illustrations cover a range of engines. Parts shown without corresponding text may not be used on your specific engine.



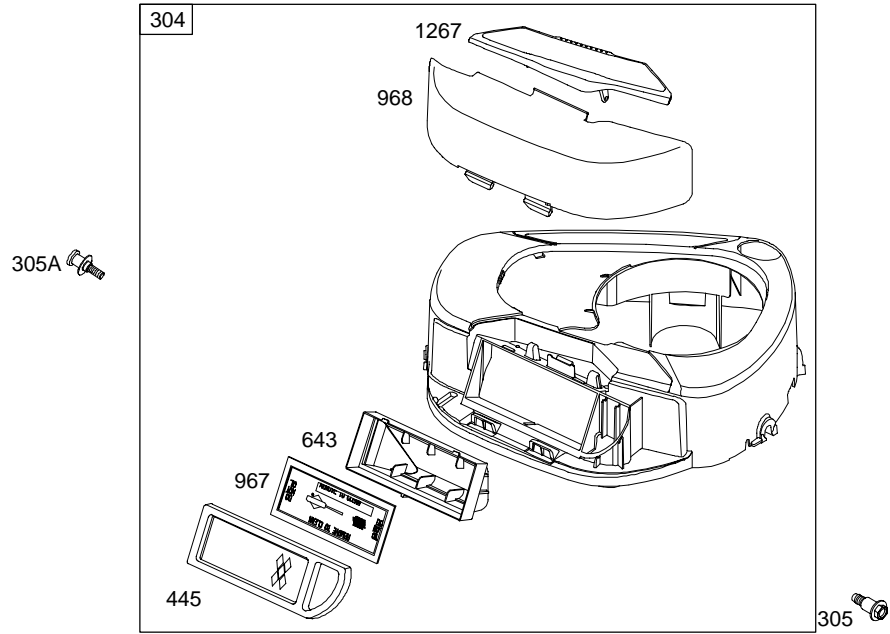
Illustrations cover a range of engines. Parts shown without corresponding text may not be used on your specific engine.
 5533-3 Assemblies include all parts shown in frames.

31A700

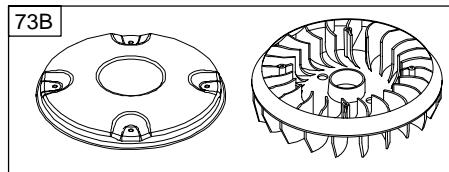
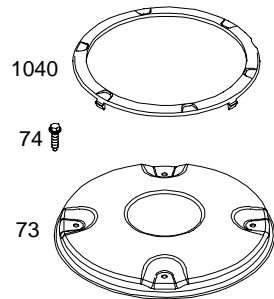


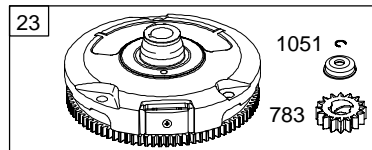
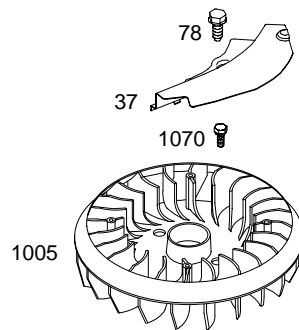
385

Illustrations cover a range of engines. Parts shown without corresponding text may not be used on your specific engine.

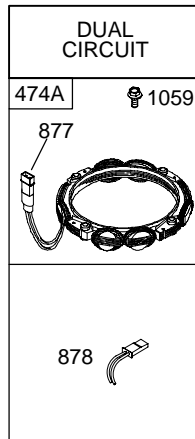


1036 EMISSION LABEL



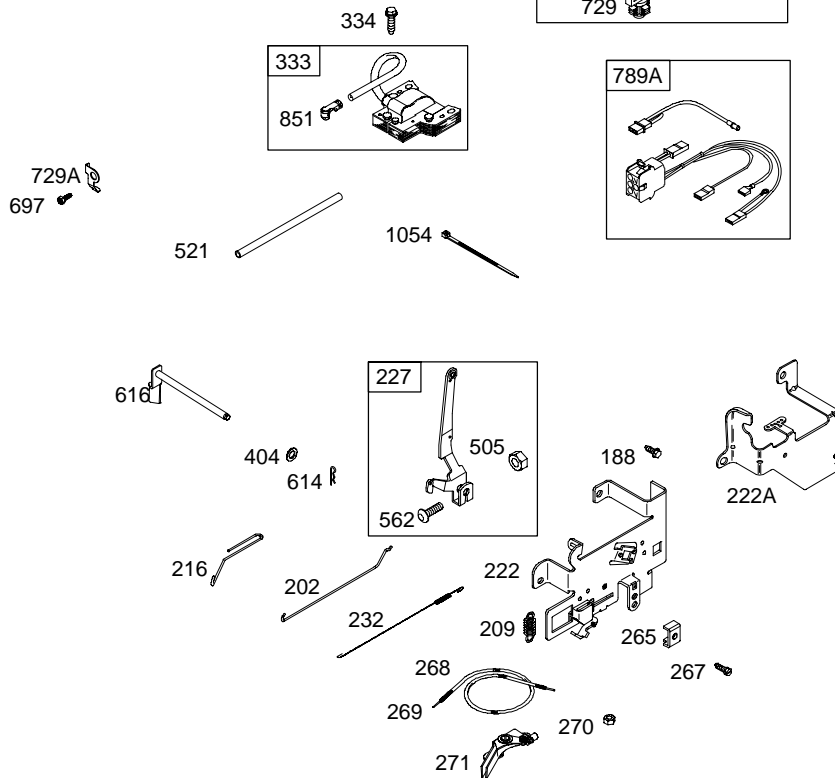
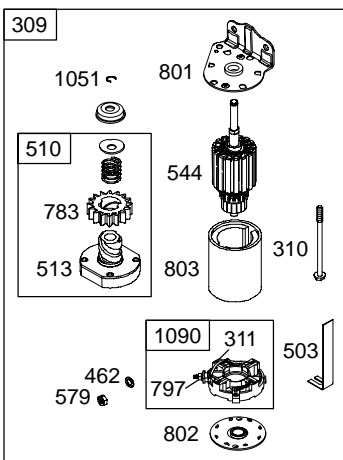
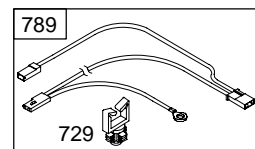


Illustrations cover a range of engines. Parts shown without corresponding text may not be used on your specific engine.



NOTE: All stators use a No. 1119 mounting screw.

NOTE: The proper flywheel part number and/or the alternator magnet size will determine the alternator type or output. See repair instruction manual for additional information.



31A700

REF. NO.	PART NO.	DESCRIPTION	REF. NO.	PART NO.	DESCRIPTION	REF. NO.	PART NO.	DESCRIPTION
1	697174	Cylinder Assembly	27	698469	Lock-Piston Pin	108	690464	Valve-Choke (697204)
2	399265	Kit-Bushing/Seal (Magneto Side)	28	697099	Pin-Piston (Standard)	108A	692344	Valve-Choke (697203, 697206)
3	★391086	Seal-Oil (Magneto Side)	29	697126	Rod-Connecting (Standard)	117	●694352	Jet-Main (Standard)
4	697106	Sump-Engine Used on Type No(s). 0335.			Note _____	118	697228	Jet-Main (High Altitude)
4A	697188	Sump-Engine Used on Type No(s). 0112.			697263 Rod-Connecting (.020" Undersize)	121	697241	Kit-Carburetor Overhaul
5	698148	Head-Cylinder	32	692852	Screw (Connecting Rod)	125	699109	Carburetor (Pump Feed) Used on Type No(s). 0112.
7	★△699168	Gasket-Cylinder Head	33	695760	Valve-Exhaust			Note _____
9	★697109	Gasket-Breather	34	695761	Valve-Intake			698445 Carburetor (Gravity Feed) Used on Type No(s). 0335.
10	697157	Screw (Breather Assembly)	35	691279	Spring-Valve (Intake)	127	694524	Plug-Welch (697206)
11	697113	Tube-Breather	36	691279	Spring-Valve (Exhaust)			Note _____
12	★697110	Gasket-Crankcase (.015" Thick)(Standard)	37	697352	Guard-Flywheel			695005 Plug-Welch (697203, 697204)
13	690360	Screw (Cylinder Head)	42	499586	Keeper-Valve			Note _____
15	690946	Plug-Oil Drain (Square Head)	43	691968	Slinger-Governor/Oil			699106 Valve-Throttle
16	699106	Crankshaft	45	690564	Tappet-Valve	131	494379	Kit-Throttle Shaft
20	★690947	Seal-Oil (PTO Side)	46	698492	Camshaft	133	494381	Float-Carburetor
22	692125	Screw (Crankcase Cover/Sump)	50	699028	Manifold-Intake	137	●◆281165	Gasket-Float Bowl
23	693557	Flywheel	51★△◆◆692137	Gasket-Intake	141	699112	Kit-Choke Shaft (697206)	
24	222698	Key-Flywheel	53	690227	Stud (Carburetor)			Note _____
25	699025	Piston Assembly (Standard)	54	691148	Screw (Intake Manifold)			495097 Kit-Choke Shaft (697204)
		Note _____	73	697133	Screen-Rotating (Used After Code Date 03042300)	141A	495931	Kit-Choke Shaft (697203)
		699040 Piston Assembly (.010" Oversize)	73B	699708	Screen-Rotating (Used Before Code Date 03042400)	142	●697140	Nozzle-Carburetor (Standard)
		699041 Piston Assembly (.020" Oversize)	74	697897	Screw (Rotating Screen)	146	691639	Key-Timing
		699042 Piston Assembly (.030" Oversize)	78	691003	Screw (Flywheel Guard)	186A	698174	Connector-Hose (Straight)
26	699026	Ring Set (Standard)	93	●690602	Bushing-Throttle Shaft			
		Note _____	94	498030	Kit-Idle Mixture			
		697165 Ring Set (.010" Oversize)	95	●691636	Screw (Throttle Valve)			
		697171 Ring Set (.020" Oversize)	98	495800	Kit-Idle Speed			
		697172 Ring Set (.030" Oversize)	104	●690525	Pin-Float Hinge			
			105	●231855	Valve-Float Needle			
			106	●691780	Seat-Inlet (Pump Feed)			
					Note _____			
					●690577 Seat-Inlet (Gravity Feed)			

★ Included in Engine Gasket Set-Ref. No.358.

● Included in Carburetor Overhaul Kit-Ref. No. 121.

◆ Included in Carburetor Gasket Set-Ref. No. 977.

△ Included in Valve Gasket Set-Ref. No 1095.

Illustrations cover a range of engines. Parts shown without corresponding text may not be used on your specific engine.

REF. NO.	PART NO.	DESCRIPTION	REF. NO.	PART NO.	DESCRIPTION	REF. NO.	PART NO.	DESCRIPTION
187	691050	Line-Fuel (Cut To Required Length)	268	691025	Casing-Control Wire (Cut To Required Length)	415	690283	Plug (Crankcase Cover/Sump)
187B	698417	Line-Fuel (Formed)(10-1/4 Inches Long)(Cut to Required Length)	269	691026	Wire-Control (Cut To Required Length)	431	697122	Elbow-Intake
188	691693	Screw (Control Bracket)	270	691027	Nut (Control Wire Casing)	445	698083	Filter-Air Cleaner Cartridge (Non Washable)
192	691986	Adjuster-Rocker Arm	271	691028	Lever-Control	462	691261	Washer (Starter Cable)
202	691841	Link-Mechanical Governor	276	◆692255	Washer-Sealing	474A	696459	Alternator
209	690480	Spring-Governor Used on Type No(s). 0112.	304	698599	Housing-Blower (Black) Used on Type No(s). 0112.	503	691532	Strap-Starter
		————— Note —————				505	691251	Nut (Governor Control Lever)
		692208 Spring-Governor Used on Type No(s). 0335.			————— Note —————	510	693699	Drive-Starter
216	691840	Link-Choke Used on Type No(s). 0335.	305	697102	Screw (Blower Housing)	513	692024	Clutch-Drive
222	694042	Bracket-Control Used on Type No(s). 0335.	305A	697103	Screw (Blower Housing)	521	690581	Shield-Cable
222A	694335	Bracket-Control Used on Type No(s). 0112.	306	697107	Shield-Cylinder	523	699908	Dipstick
227	694339	Lever-Governor Control	307	691003	Screw (Cylinder Shield)	524	★691032	Seal-Dipstick Tube
232	691842	Spring-Governor Link	309	693551	Motor-Starter	525	697085	Tube-Dipstick Used on Type No(s). 0112.
238	691843	Cap-Valve	310	690323	Screw (Starter Motor)			————— Note —————
239	694115	Switch-Oil Pressure	311	497608	Brush Set	544	692034	Armature-Starter
240	394358	Filter-Fuel (White, 75 Microns) Used on Type No(s). 0335.	333	492341	Armature-Magneto	552	697144	Bushing-Governor Crank
240A	691035	Filter-Fuel (Includes Paper Element With A 40 Micron Rating)	334	691061	Screw (Magneto Armature)	562	691119	Bolt (Governor Control Lever)
265	691024	Clamp-Casing	337	491055	Plug-Spark	579	691029	Nut (Starter Cable)
267	695134	Screw (Casing Clamp)	358	697191	Gasket Set-Engine	584	697112	Cover-Breather Passage
			363	19203	Puller-Flywheel	601	95162	Clamp-Hose
			383	89838	Wrench-Spark Plug	614	691620	Pin-Cotter
			385	694476	Screw (Fuel Pump)	616	692012	Crank-Governor
			385A	690297	Screw (Fuel Pump)	617	★692138	Seal-O Ring (Intake Manifold)
			387	697090	Pump-Fuel	633	690597	Seal-Choke/Throttle Shaft
			387A	808656	Pump-Fuel			
			404	691691	Washer (Governor Crank)			

★ Included in Engine Gasket Set-Ref. No.358.

● Included in Carburetor Overhaul Kit-Ref. No. 121.

◆ Included in Carburetor Gasket Set-Ref. No. 977.

△ Included in Valve Gasket Set-Ref. No 1095.

Illustrations cover a range of engines. Parts shown without corresponding text may not be used on your specific engine.

31A700

REF. NO.	PART NO.	DESCRIPTION	REF. NO.	PART NO.	DESCRIPTION	REF. NO.	PART NO.	DESCRIPTION
634	690801	Spring/Seal Assembly (697204)	847	790443	Dipstick/Tube Assembly	1022	*Δ272475	Gasket-Rocker Cover
634A	690802	Spring/Seal Assembly (697203)			Used on Type No(s). 0112.	1023	692492	Cover-Rocker
635	691909	Boot-Spark Plug			Note	1024	499054	Pump-Oil
643	698401	Retainer-Air Filter			790442 Dipstick/Tube Assembly	1026	692003	Rod-Push (Intake)
654	690958	Nut (Carburetor)			Used on Type No(s). 0335.			Note
691	*692407	Seal-Governor Shaft						692011 Rod-Push (Exhaust)
692	691301	Spring-Detent (697206)	851	692424	Terminal-Spark Plug	1027	492932	Filter-Oil
		Note	868	*Δ690968	Seal-Valve	1029	691751	Arm-Rocker
		690572 Spring-Detent (697204)	877	393456	Wire/Connector-Alternator (Dual Circuit)	1034	690822	Guide-Push Rod
697	690372	Screw (Drive Cap)	878	691237	Harness-Alternator (Alternator to Regulator)	1035	693784	Shaft-Pump
718	690959	Pin-Locating				1036	790464	Label-Emissions (Used After Code Date 04063000)
729	691335	Clip-Wire (Wire Saddle)	883	*692236	Gasket-Exhaust			Note
729A	691224	Clip-Wire (Aluminum Coated Steel)	914	691108	Screw (Rocker Cover)			695700
741	697128	Gear-Timing	918	697091	Hose-Vacuum	1040	698368	Label-Emissions (Used Before Code Date 04070100)
750	691033	Screw (Oil Pump Cover)	943	*690589	Seal-O Ring (Oil Pump Cover)	1044	698139	Plate-Trim
757	697607	Link-Counterweight	947	694393	Solenoid-Fuel	1051	691265	Screw (Flywheel)
758	697134	Counterweight	950	691657	Screw-Float Bowl	1054	280275	Ring-Retaining
759	697392	Pin-Counterweight	965	499613	Cover-Oil Pump	1059	698516	Tie-Cable
783	693713	Gear-Pinion	967	697015	Filter-Pre Cleaner	1070	690372	Kit-Screw/Washer
789	692037	Harness-Wiring (Used on Type No(s). 0112.)	968	698403	Filter-Pre Cleaner (Black)			Screw (Flywheel Fan)
789A	698329	Harness-Wiring (Used on Type No(s). 0335.)	975	495933	Cover-Air Cleaner	1090	691293	Retainer-Brush
797	693167	Nut (Brush Retainer)	977	690192	Bowl-Float	1091	691333	Retainer-Brush
801	691283	Cap-Drive	987	●691326	Gasket Set-Carburetor	1095	690190	Cap-Limiter
802	691286	Cap-End	1005	699043	Seal-Throttle Shaft	1119	691183	Gasket Set-Valve
803	693757	Housing-Starter			Fan-Flywheel (Used After Code Date 03042300)			Screw (Alternator)
830	691095	Stud-Rocker Arm			Note	1263	697124	Reed-Breather
842	*691031	Seal-O Ring (Dipstick Tube)			NULL Fan-Flywheel (Order 699708)	1264	697104	Screw (Breather Reed)
					Screen-Rotating (Used Before Code Date 03042400)	1266	*●691917	Seal-O Ring (Intake Elbow)
					Screen-Oil Pump (Push In)	1266A	●697123	Seal-O Ring (Intake Elbow)
			1017	690770	Kit-Label	1267	697419	Latch-Blower Housing
			1019	699459	Kit-Label (16.5 HP I/C OHV) (Used on Type No(s). 0335.)	1270	697156	Plug-AVS Counterweight
					Note	1330	272147	Repair Manual

* Included in Engine Gasket Set-Ref. No.358.

● Included in Carburetor Overhaul Kit-Ref. No. 121.

◆ Included in Carburetor Gasket Set-Ref. No. 977.

Δ Included in Valve Gasket Set-Ref. No 1095.

Illustrations cover a range of engines. Parts shown without corresponding text may not be used on your specific engine.