

31C700

Illustrated Parts List Model Series 31C700

TYPE NUMBERS
0154 THROUGH 0431.

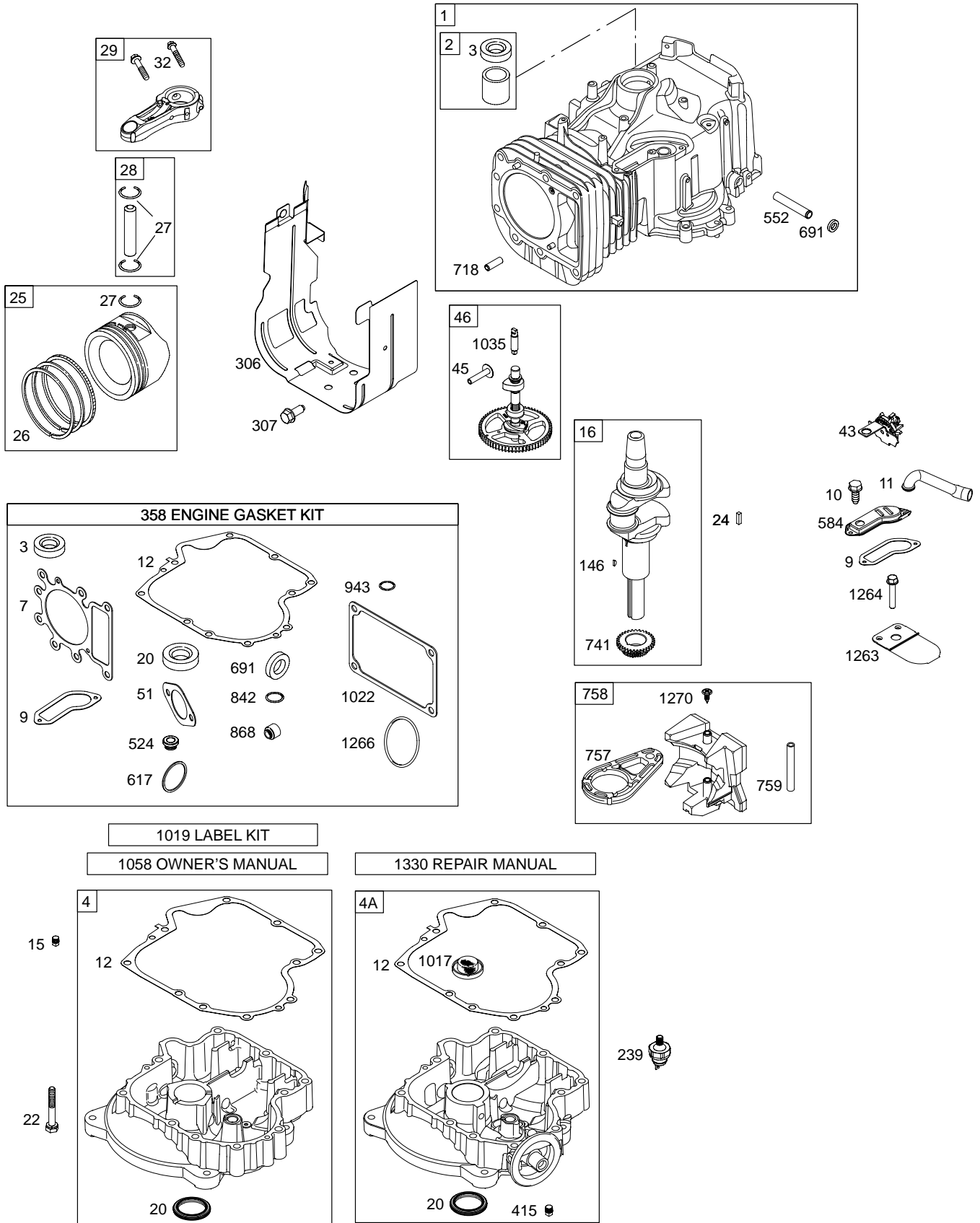
TABLE OF CONTENTS

Air Cleaner	5
Alternator	7
Blower Housing	5
Camshaft	2
Carburetor	4
Controls	7
Crankshaft	2
Cylinder	2
Electric Starter	7
Engine Sump	2
Exhaust System	5
Flywheel	6
Fuel Supply	5
Gasket Set – Engine	2
Gasket Set – Valve	3
Governor Spring	7
Head	3
Ignition	7
Kit – Carburetor Overhaul	4
Lubrication	3
Piston, Rings, Connecting Rod	2
Valves	3

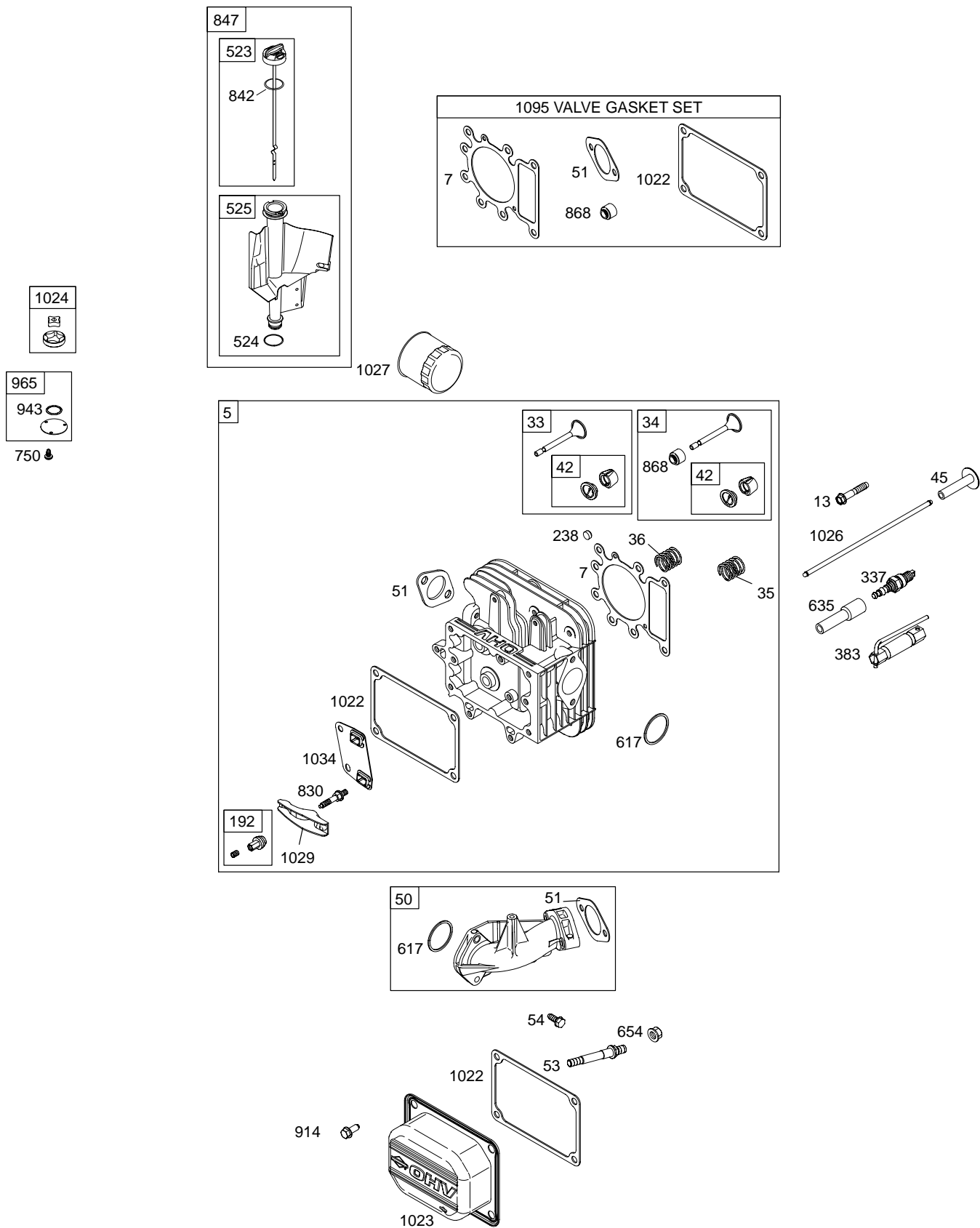


PRINTED IN U.S.A.

COPYRIGHT by BRIGGS & STRATTON CORPORATION
All rights reserved. No part of this material may be reproduced or transmitted,
in any form or by any means, electronic or mechanical, including photocopying,
recording or by any information storage and retrieval system, without permission
in writing from Briggs & Stratton Corporation.

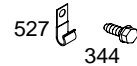
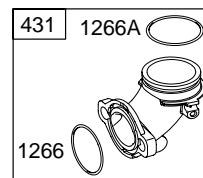
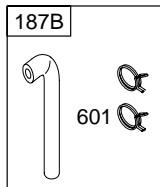
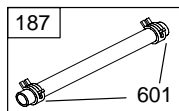
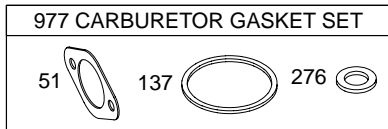
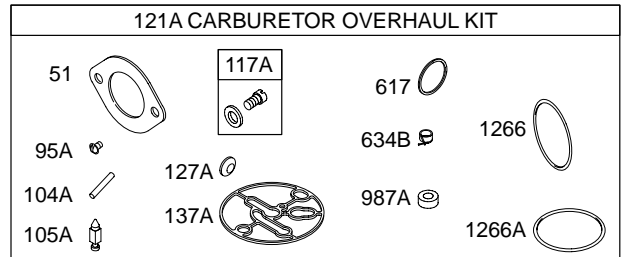
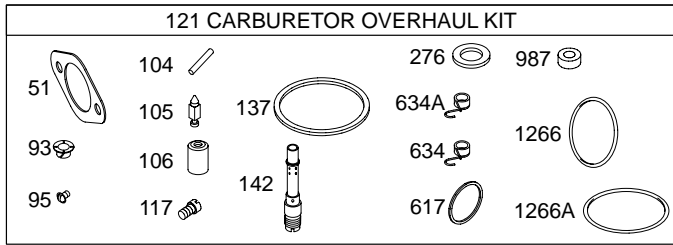
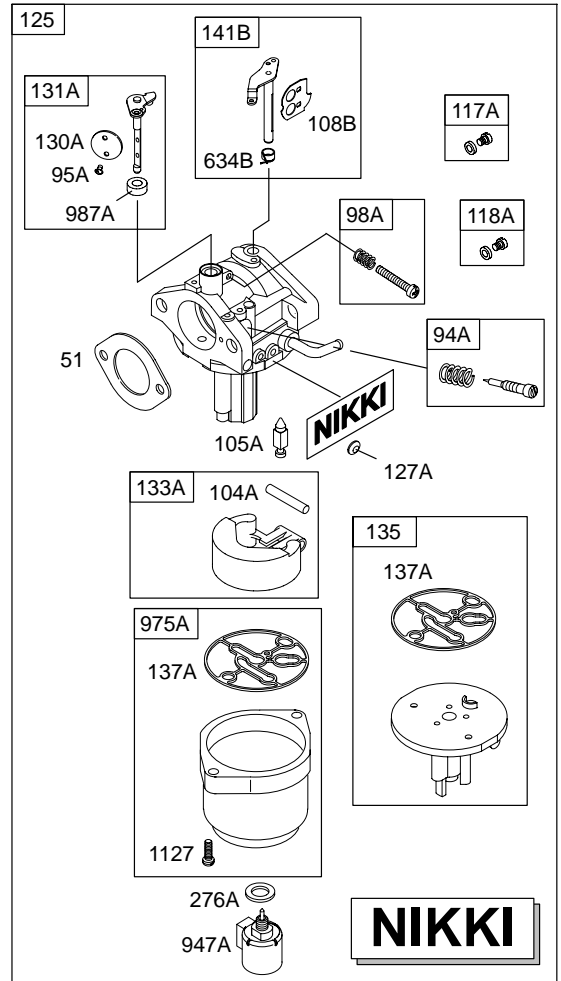
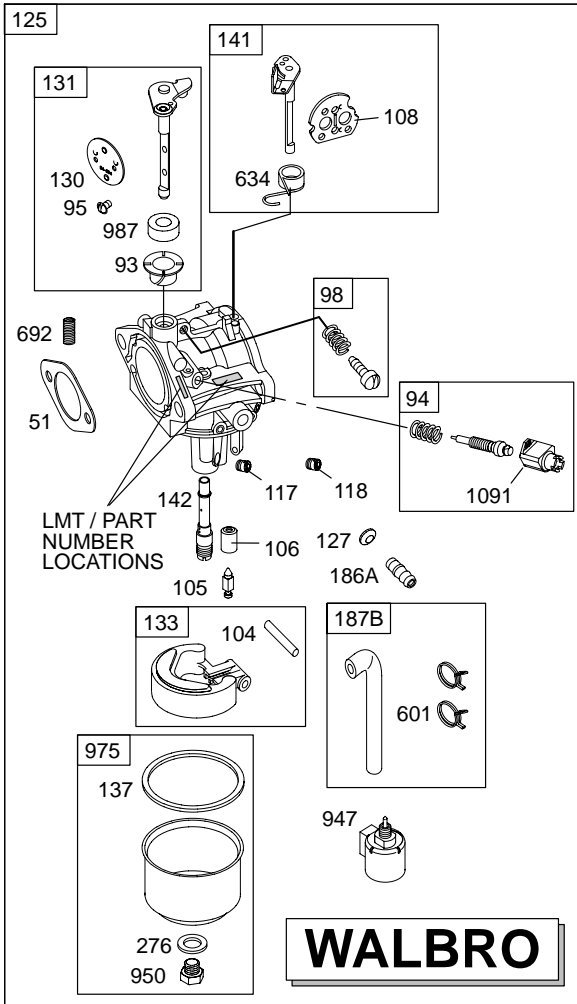
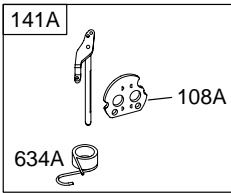


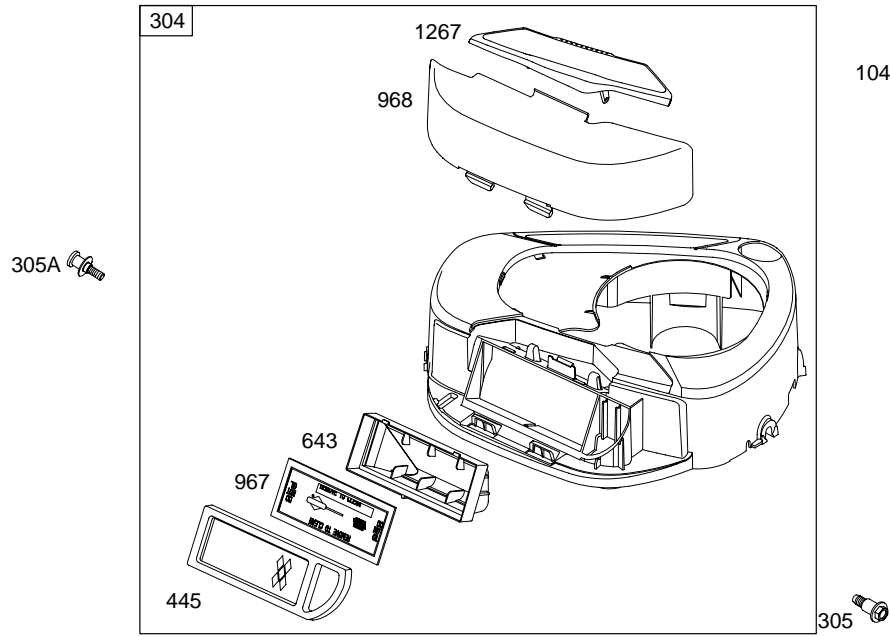
Illustrations cover a range of engines. Parts shown without corresponding text may not be used on your specific engine.
 5535-2 Assemblies include all parts shown in frames. 11/03/2004



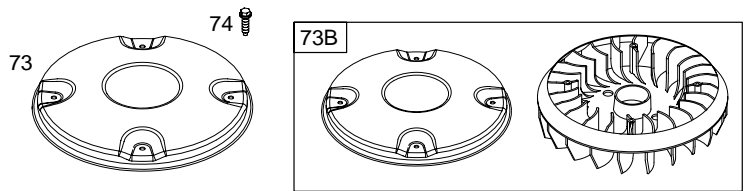
Illustrations cover a range of engines. Parts shown without corresponding text may not be used on your specific engine.
 5535-3 Assemblies include all parts shown in frames. 11/03/2004

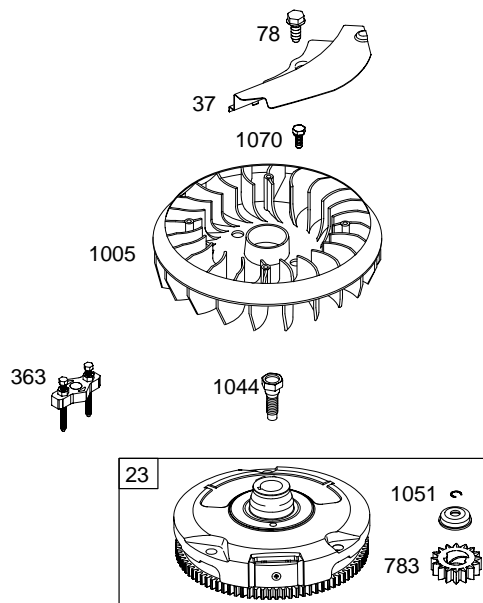
31C700

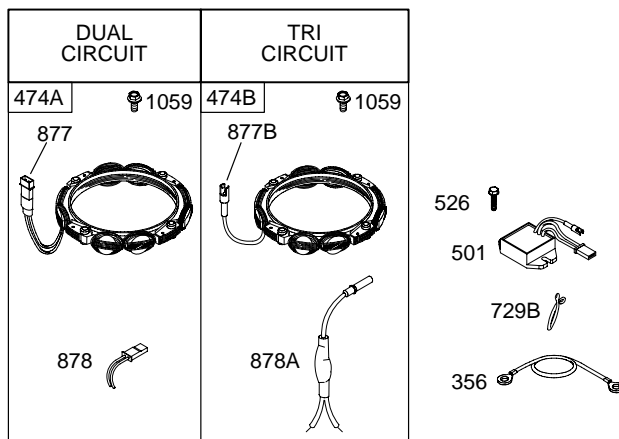




1036 EMISSION LABEL

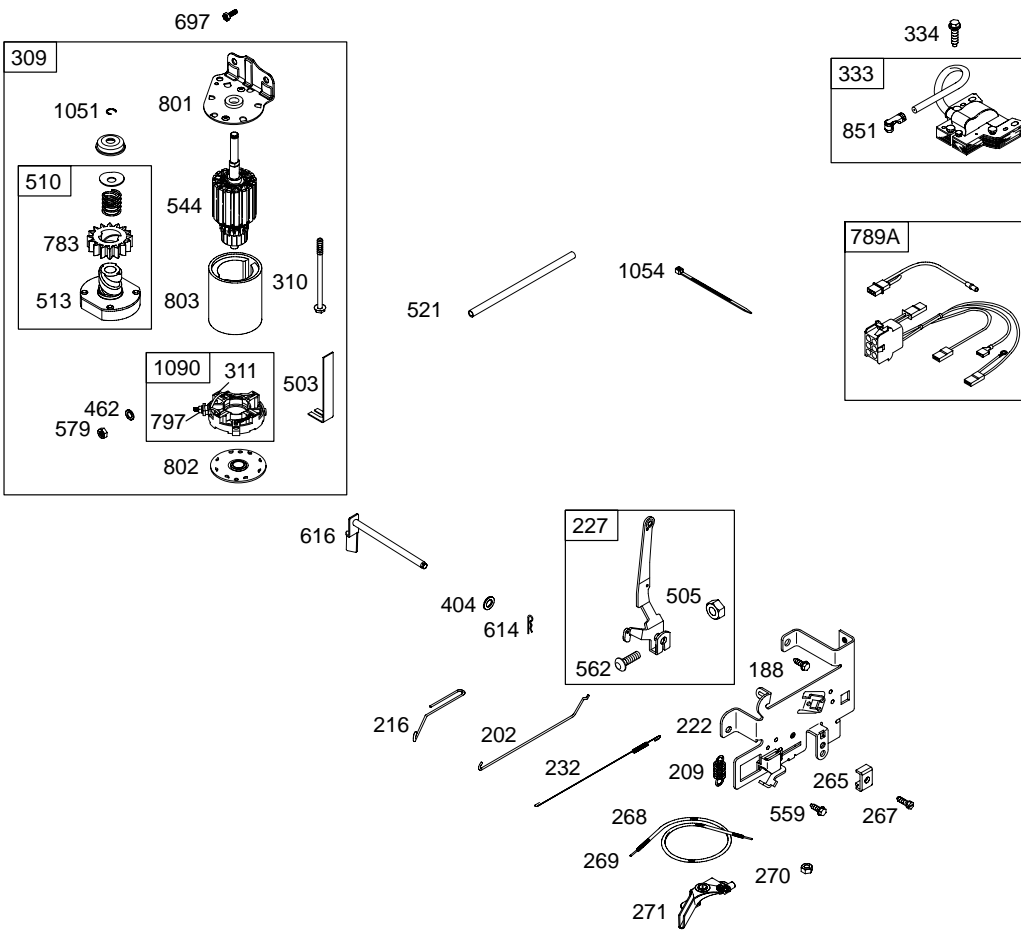






NOTE: All stators use a No. 1119 mounting screw.

NOTE: The proper flywheel part number and/or the alternator magnet size will determine the alternator type or output. See repair instruction manual for additional information.



31C700

REF. NO.	PART NO.	DESCRIPTION	REF. NO.	PART NO.	DESCRIPTION	REF. NO.	PART NO.	DESCRIPTION	
1	697174	Cylinder Assembly	26	699026	Ring Set (Standard)	95A	●690718	Screw (Throttle Valve)	
2	399265	Kit-Bushing/Seal (Magneto Side)			Note	98	495800	Kit-Idle Speed	
3	★391086	Seal-Oil (Magneto Side)			697165	Ring Set (.010" Oversize)	98A	695408	Kit-Idle Speed
4	697106	Sump-Engine Used on Type No(s). 0154, 0175, 0230, 0240, 0431.			697171	Ring Set (.020" Oversize)	104	●690525	Pin-Float Hinge
4A	697188	Sump-Engine Used on Type No(s). 0173, 0226.	27	698469	Lock-Piston Pin	104A	●694918	Pin-Float Hinge	
5	698148	Head-Cylinder	28	697099	Pin-Piston (Standard)	105	●231855	Valve-Float Needle	
7	★△699168	Gasket-Cylinder Head	29	697126	Rod-Connecting (Standard)	105A	●696136	Valve-Float Needle	
9	★697109	Gasket-Breather			Note	106	●690577	Seat-Inlet (Gravity Feed)	
10	697157	Screw (Breather Assembly)			697263	Rod-Connecting (.020" Undersize)	108	690464	Valve-Choke (697204)
11	697113	Tube-Breather	32	692852	Screw (Connecting Rod)	108A	692344	Valve-Choke (696181, 697203)	
12	★697110	Gasket-Crankcase (.015" Thick)(Standard)	33	695760	Valve-Exhaust	108B	695419	Valve-Choke	
13	690360	Screw (Cylinder Head)	34	695761	Valve-Intake	117	●694352	Jet-Main (Standard)	
15	690946	Plug-Oil Drain (Square Head)	35	691279	Spring-Valve (Intake)	117A	●699457	Jet-Main (Standard)	
16	697127	Crankshaft	36	691279	Spring-Valve (Exhaust)	118	697228	Jet-Main (High Altitude)	
20	★690947	Seal-Oil (PTO Side)	37	697352	Guard-Flywheel	118A	699458	Jet-Main (High Altitude)	
22	692125	Screw (Crankcase Cover/Sump)(Crankca se Cover/Sump)	42	499586	Keeper-Valve	121	697241	Kit-Carburetor Overhaul (Walbro)	
23	693557	Flywheel Used on Type No(s). 0154, 0173, 0175, 0226, 0230, 0240.	43	691968	Slinger-Governor/Oil	121A	699521	Kit-Carburetor Overhaul (Nikki Carburetor)	
		Note	45	690564	Tappet-Valve	125	698445	Carburetor (Gravity Feed)	
		693556	46	698492	Camshaft	127	695005	Plug-Welch	
		Used on Type No(s). 0431.	50	690193	Manifold-Intake	127A	●690727	Plug-Welch	
24	222698	Key-Flywheel	51★△◆	◆692137	Gasket-Intake	130	691750	Valve-Throttle	
25	699025	Piston Assembly (Standard)	53	690227	Stud (Carburetor)	130A	699500	Valve-Throttle	
		Note	54	691148	Screw (Intake Manifold)	131	494379	Kit-Throttle Shaft	
		699040	73	697133	Screen-Rotating (Used After Code Date 03042300)	131A	699501	Kit-Throttle Shaft	
		Assembly (.010" Oversize)	73B	699708	Screen-Rotating (Used Before Code Date 03042400)	133	494381	Float-Carburetor	
		699041	74	697897	Screw (Rotating Screen)	133A	694914	Float-Carburetor	
		Assembly (.020" Oversize)	78	691003	Screw (Flywheel Guard)	135	698780	Tube-Fuel Transfer	
		699042	93	●690602	Bushing-Throttle Shaft	137	◆281165	Gasket-Float Bowl	
		Assembly (.030" Oversize)	94	498030	Kit-Idle Mixture	137A	●698781	Gasket-Float Bowl	
			94A	695425	Kit-Idle Mixture	141	495097	Kit-Choke Shaft (697204)	
			95	●691636	Screw (Throttle Valve)	141A	495931	Kit-Choke Shaft (696181, 697203)	
						141B	698778	Kit-Choke Shaft	
						142	●697140	Nozzle-Carburetor (Standard)	

★ Included in Engine Gasket Set-Ref. No.358.

● Included in Carburetor Overhaul Kit-Ref. No. 121 or 121A.

◆ Included in Carburetor Gasket Set-Ref. No. 977.

△ Included in Valve Gasket Set-Ref. No 1095.

Illustrations cover a range of engines. Parts shown without corresponding text may not be used on your specific engine.

31C700

REF. NO.	PART NO.	DESCRIPTION	REF. NO.	PART NO.	DESCRIPTION	REF. NO.	PART NO.	DESCRIPTION
146	691639	Key-Timing	311	497608	Brush Set	527	698467	Clamp-Tube
186	692317	Connector-Hose (90 Degree)	333	492341	Armature-Magneto	544	692034	Armature-Starter
186A	698174	Connector-Hose (Straight)	334	691061	Screw (Magneto Armature)	552	697144	Bushing-Governor Crank
187	691050	Line-Fuel (Cut To Required Length)	337	491055	Plug-Spark	559	693675	Screw (Remote Choke Stop) Used on Type No(s). 0240.
187B	698417	Line-Fuel (Formed)(10-1/4 Inches Long)(Cut to Required Length)	Note			562	691119	Bolt (Governor Control Lever)
188	691693	Screw (Control Bracket)	344	693675	Screw (Cable Clamp)	579	691029	Nut (Starter Cable)
192	691986	Adjuster-Rocker Arm	356	697089	Wire-Stop Used on Type No(s). 0431.	584	697112	Cover-Breather Passage
202	691841	Link-Mechanical Governor	358	697191	Gasket Set-Engine	601	95162	Clamp-Hose
209	692208	Spring-Governor (Green)	363	19203	Puller-Flywheel	614	691620	Pin-Cotter
216	691840	Link-Choke	383	89838	Wrench-Spark Plug	616	692012	Crank-Governor
222	694042	Bracket-Control	404	691691	Washer (Governor Crank)	617	★692138	Seal-O Ring (Intake Manifold)
227	691374	Lever-Governor Control	415	690283	Plug (Crankcase Cover/Sump)	634	●690801	Spring/Seal Assembly (697204)
232	691842	Spring-Governor Link	431	697122	Elbow-Intake	634A	●690802	Spring/Seal Assembly (696181, 697203)
238	691843	Cap-Valve	445	698083	Filter-Air Cleaner Cartridge (Non Washable)	634B	●698779	Spring/Seal Assembly
239	694115	Switch-Oil Pressure	462	691261	Washer (Starter Cable)	635	691909	Boot-Spark Plug
240	394358	Filter-Fuel (White, 75 Microns)	474A	696459	Alternator (Dual Circuit) Used on Type No(s). 0154, 0173, 0175, 0226, 0230, 0240.	643	698401	Retainer-Air Filter
265	691024	Clamp-Casing Used on Type No(s). 0173, 0175, 0230, 0240.	474B	696457	Alternator (Tri Circuit) Used on Type No(s). 0431.	654	690958	Nut (Carburetor)
267	695134	Screw (Casing Clamp)	501	691188	Regulator Used on Type No(s). 0431.	691	★692407	Seal-Governor Shaft
268	691025	Casing-Control Wire (Cut To Required Length)	503	691532	Strap-Starter	692	690572	Spring-Detent
269	691026	Wire-Control (Cut To Required Length)	505	691251	Nut (Governor Control Lever)	697	690372	Screw (Drive Cap)
270	691027	Nut (Control Wire Casing)	510	693699	Drive-Starter	718	690959	Pin-Locating
271	691028	Lever-Control	513	692024	Clutch-Drive	729B	694123	Clip-Wire Used on Type No(s). 0431.
276	●692255	Washer-Sealing	521	690581	Shield-Cable	741	697128	Gear-Timing
276A	695410	Washer-Sealing	523	699908	Dipstick	750	691033	Screw (Oil Pump Cover)
304	698402	Housing-Blower (Red)	524	★691032	Seal-Dipstick Tube	757	697607	Link-Counterweight
305	697102	Screw (Blower Housing)	525	697184	Tube-Dipstick	758	697134	Counterweight
305A	697103	Screw (Blower Housing)	526	697088	Screw (Regulator)	759	697392	Pin-Counterweight
306	697107	Shield-Cylinder				783	693713	Gear-Pinion
307	691003	Screw (Cylinder Shield)				789A	698329	Harness-Wiring
309	693551	Motor-Starter				797	693167	Nut (Brush Retainer)
310	690323	Screw (Starter Motor)						

★ Included in Engine Gasket Set-Ref. No.358.

● Included in Carburetor Overhaul Kit-Ref. No. 121 or 121A.

◆ Included in Carburetor Gasket Set-Ref. No. 977.

△ Included in Valve Gasket Set-Ref. No 1095.

Illustrations cover a range of engines. Parts shown without corresponding text may not be used on your specific engine.
5535-9 Assemblies include all parts shown in frames. 11/03/2004

31C700

REF. NO.	PART NO.	DESCRIPTION	REF. NO.	PART NO.	DESCRIPTION	REF. NO.	PART NO.	DESCRIPTION
801	691283	Cap-Drive	967	697015	Filter-Pre Cleaner	1029	691751	Arm-Rocker
802	691286	Cap-End	968	698403	Cover-Air Cleaner (Black)	1034	690822	Guide-Push Rod
803	693757	Housing-Starter	975	495933	Bowl-Float	1035	693784	Shaft-Pump
830	691095	Stud-Rocker Arm	975A	699502	Bowl-Float	1036	790464	Label-Emissions (Used After Code Date 04063000)
842	★691031	Seal-O Ring (Dipstick Tube)	977	690192	Gasket Set-Carburetor	————— Note —————		
847	790442	Dipstick/Tube Assembly	987	●691326	Seal-Throttle Shaft	695700		
851	692424	Terminal-Spark Plug	987A	●698777	Seal-Throttle Shaft	Label-Emissions (Used Before Code Date 04070100)		
868	★Δ690968	Seal-Valve	1005	699043	Fan-Flywheel (Used After Code Date 03042300)	1040	698368	Plate-Trim
877	393456	Wire/Connector-Alternator (Dual Circuit)	————— Note —————		1044	698139	Screw (Flywheel)	
877B	393537	Wire/Connector-Alternator (Tri Circuit) Used on Type No(s). 0431.	NULL Fan-Flywheel (Order 699708 Screen-Rotating) (Used Before Code Date 03042400)		1051	691265	Ring-Retaining	
878	691237	Harness-Alternator (Alternator to Regulator)	1017	690770	Screen-Oil Pump (Push In)	1054	280275	Tie-Cable
878A	691955	Harness-Alternator (Tri Circuit) Used on Type No(s). 0431.	1019	698814	Kit-Label	1058	275935	Operator's Manual
914	691108	Screw (Rocker Cover)	1022	★Δ272475	Gasket-Rocker Cover	1059	698516	Kit-Screw/Washer
943	★690589	Seal-O Ring (Oil Pump Cover)	1023	791079	Cover-Rocker	1070	690372	Screw (Flywheel Fan)
947	694393	Solenoid-Fuel	1024	499054	Pump-Oil Used on Type No(s). 0173, 0226.	1090	691293	Retainer-Brush
947A	695423	Solenoid-Fuel	1026	692003	Rod-Push (Intake)	1091	691333	Cap-Limiter
950	691657	Screw-Float Bowl	————— Note —————		1095	690190	Gasket Set-Valve	
965	499613	Cover-Oil Pump Used on Type No(s). 0173, 0226.	1027	492932	Filter-Oil Used on Type No(s). 0173, 0226.	1119	691183	Screw (Alternator)
					692011	●691917	Seal-O Ring (Intake Elbow)	
					1266A	●697123	Seal-O Ring (Intake Elbow)	
					1267	697575	Latch-Blower Housing	
					1270	697156	Plug-AVS Counterweight	
					1330	272147	Repair Manual	

★ Included in Engine Gasket Set-Ref. No.358.

● Included in Carburetor Overhaul Kit-Ref. No. 121 or 121A.

◆ Included in Carburetor Gasket Set-Ref. No. 977.

Δ Included in Valve Gasket Set-Ref. No 1095.

Illustrations cover a range of engines. Parts shown without corresponding text may not be used on your specific engine.