

31D700

Illustrated Parts List

Model Series

31D700

TYPE NUMBERS
0035 THROUGH 0419.

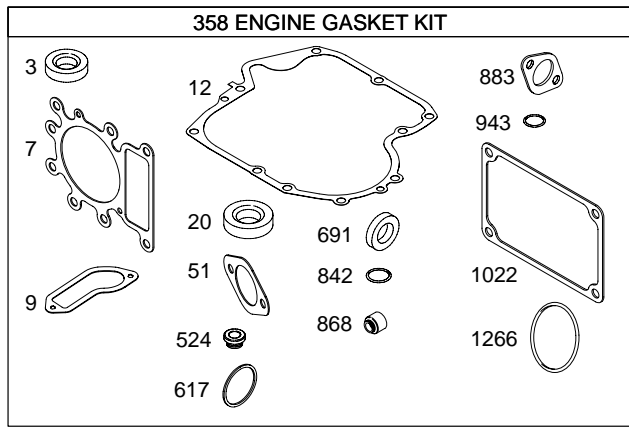
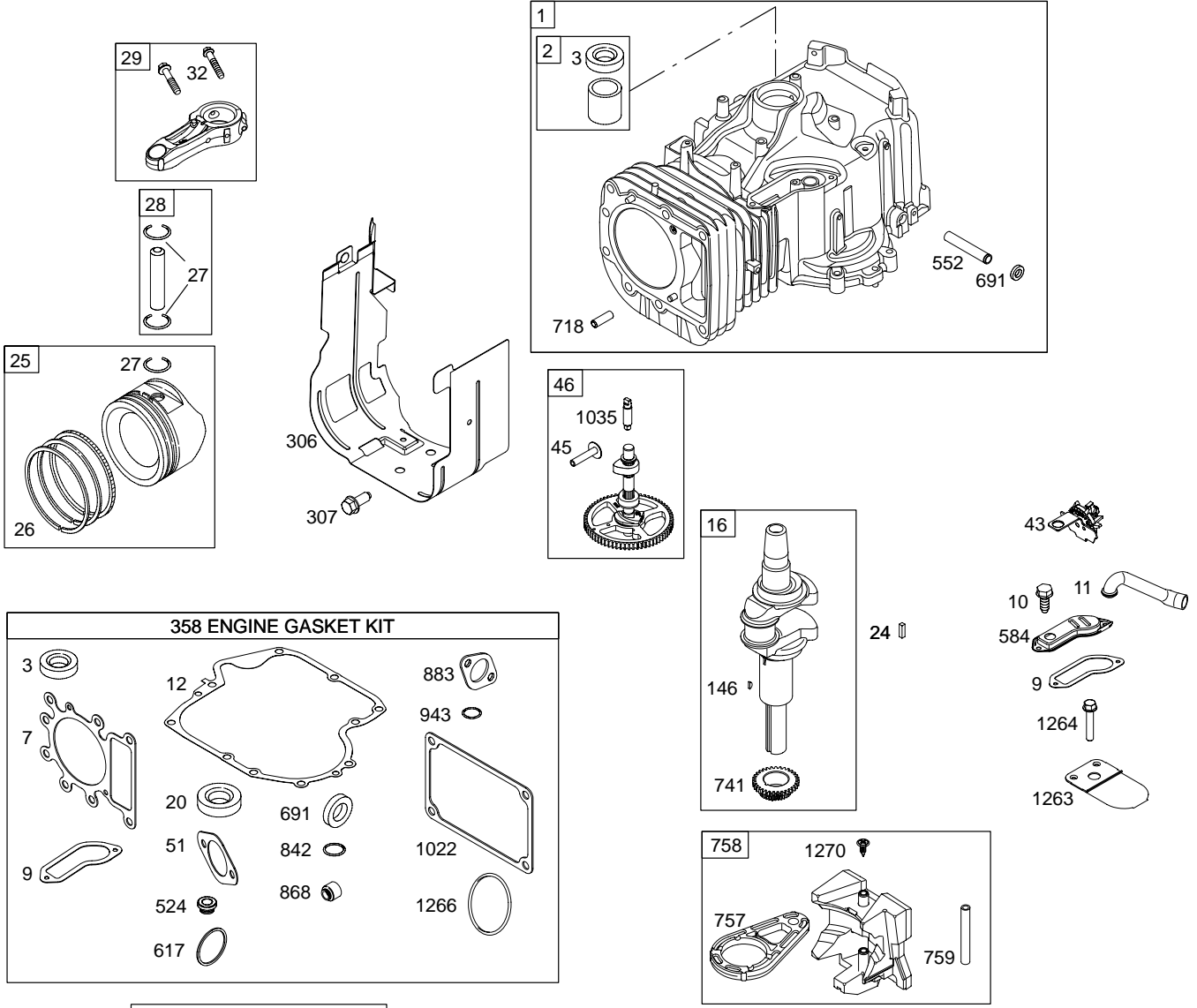
TABLE OF CONTENTS

Air Cleaner	5
Alternator	7
Blower Housing	5
Camshaft	2
Carburetor	4
Controls	7
Crankshaft	2
Cylinder	2
Cylinder Head	3
Electric Starter	7
Engine Sump	2
Flywheel	6
Fuel Supply	5
Governor Spring	7
Ignition	7
Kit - Carburetor Overhaul	4
Gasket Set - Engine	2
Gasket Set - Valve	3
Lubrication	3
Piston, Rings, Connecting Rod	2
Valves	3



PRINTED IN U.S.A.

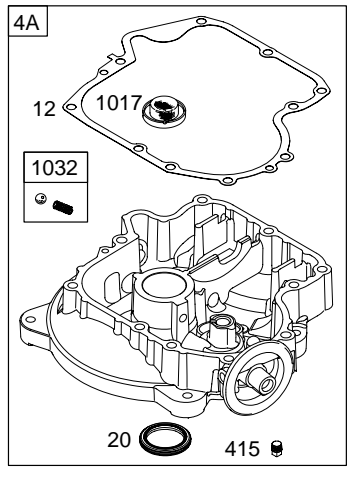
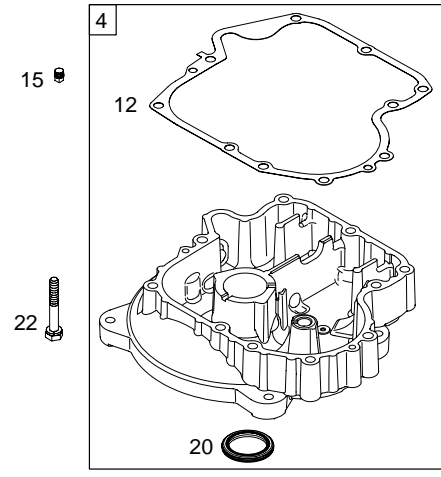
COPYRIGHT by BRIGGS & STRATTON CORPORATION
All rights reserved. No part of this material may be reproduced or transmitted,
in any form or by any means, electronic or mechanical, including photocopying,
recording or by any information storage and retrieval system, without permission
in writing from Briggs & Stratton Corporation.

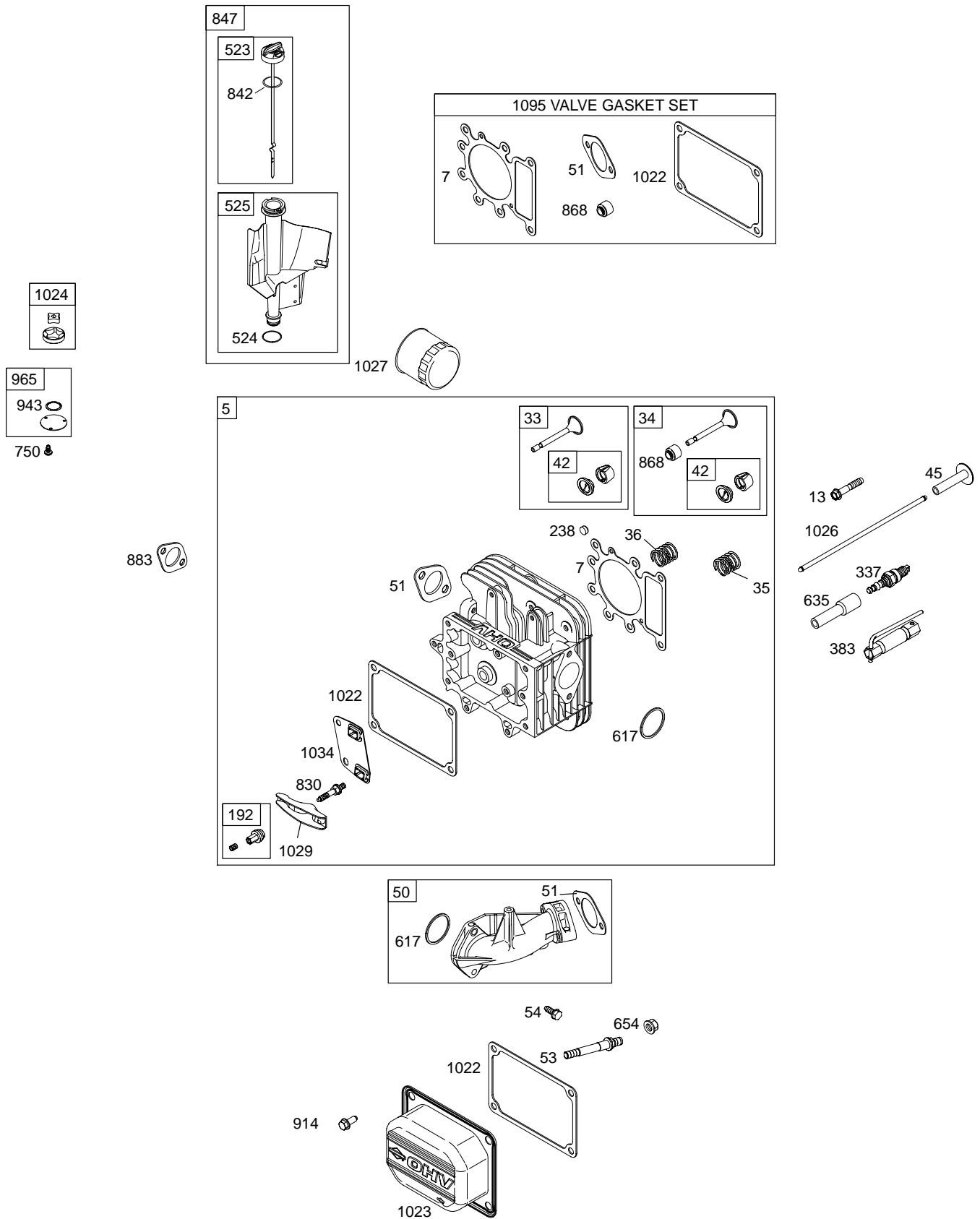


1019 LABEL KIT

1058 OWNER'S MANUAL

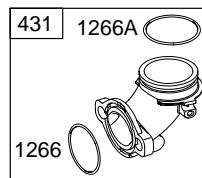
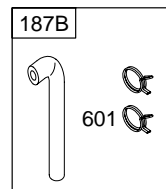
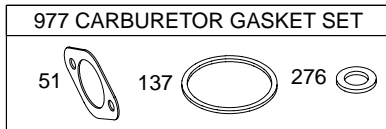
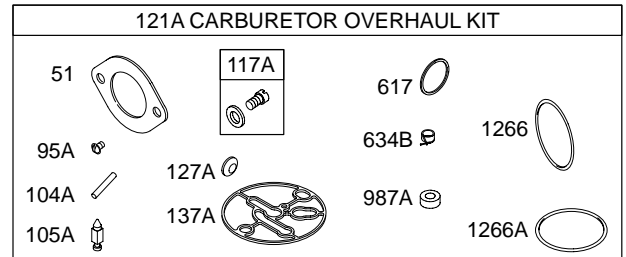
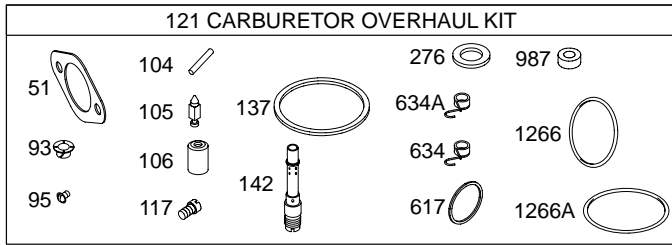
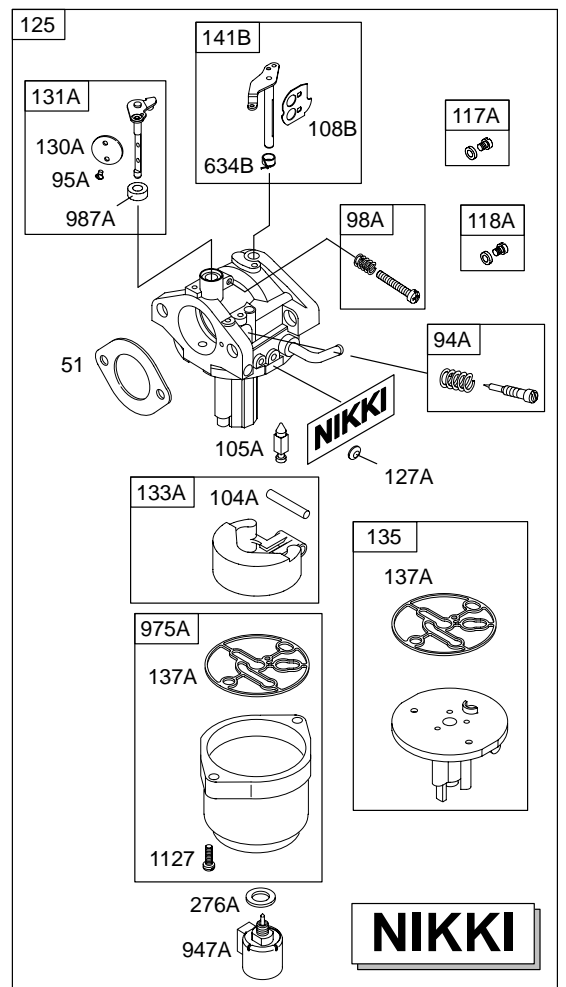
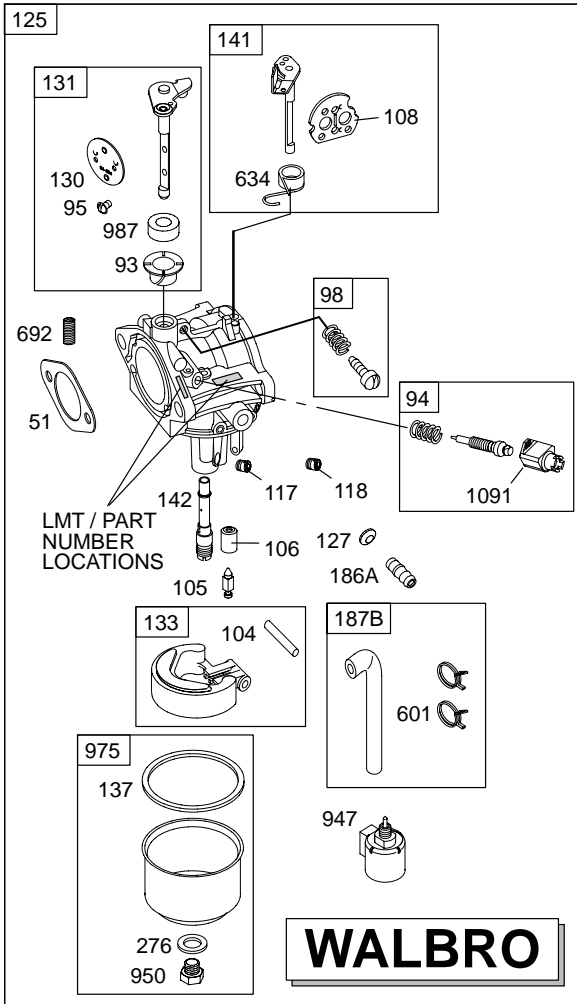
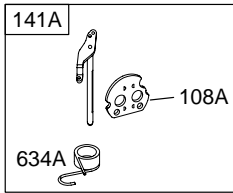
1330 REPAIR MANUAL

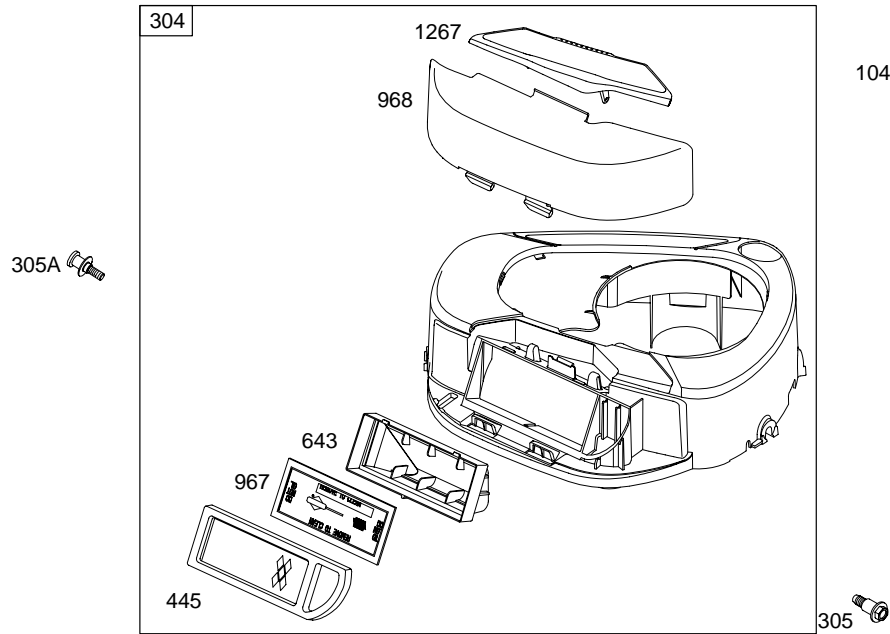




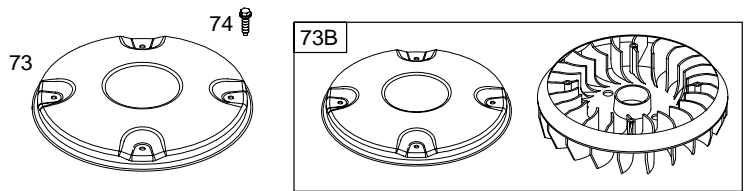
Illustrations cover a range of engines. Parts shown without corresponding text may not be used on your specific engine.
 5515-3 Assemblies include all parts shown in frames. 11/03/2004

31D700

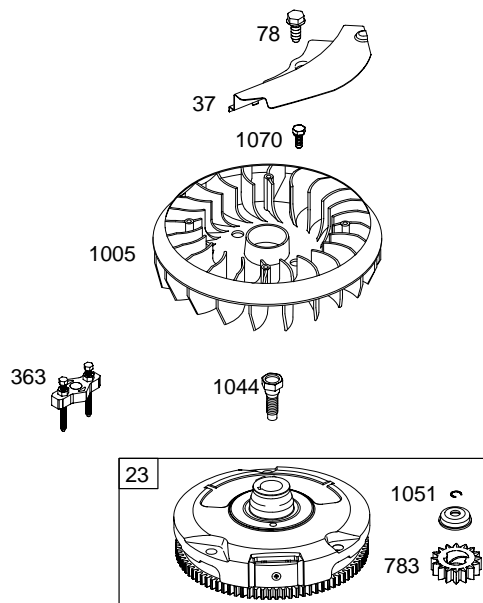




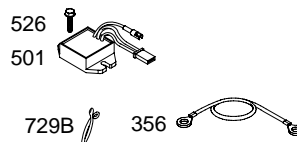
1036 EMISSION LABEL



Illustrations cover a range of engines. Parts shown without corresponding text may not be used on your specific engine.
 5515-5 Assemblies include all parts shown in frames. 11/03/2004

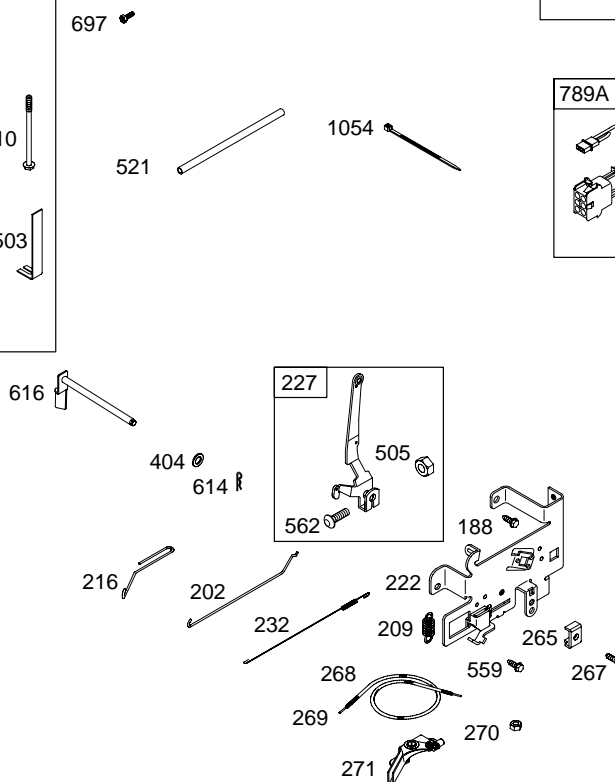
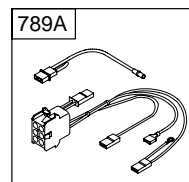
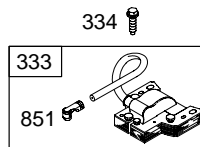
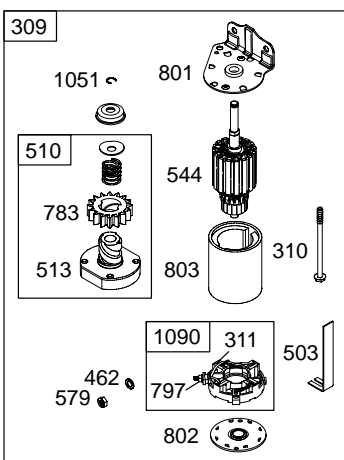


DUAL CIRCUIT		TRI CIRCUIT	
474A	1059	474B	1059
877		877B	
878		878A	



NOTE: All stators use a No. 1119 mounting screw.

NOTE: The proper flywheel part number and/or the alternator magnet size will determine the alternator type or output. See repair instruction manual for additional information.



31D700

REF. NO.	PART NO.	DESCRIPTION	REF. NO.	PART NO.	DESCRIPTION	REF. NO.	PART NO.	DESCRIPTION
1	697174	Cylinder Assembly	26	699051	Ring Set (Standard)	93	●690602	Bushing—Throttle Shaft
2	399265	Kit—Bushing/Seal (Magneto Side)			Note	94	498030	Kit—Idle Mixture
3	★391086	Seal—Oil (Magneto Side)			697558 Ring Set (.010" Oversize)	94A	695425	Kit—Idle Mixture
4	697106	Sump—Engine Used on Type No(s). 0193, 0232, 0419.			697559 Ring Set (.020" Oversize)	95	●691636	Screw (Throttle Valve)
4A	697188	Sump—Engine Used on Type No(s). 0035, 0233, 0235.	27	698469	Lock—Piston Pin	95A	●690718	Screw (Throttle Valve)
5	698148	Head—Cylinder	28	697099	Pin—Piston (Standard)	98	495800	Kit—Idle Speed
7	★△699168	Gasket—Cylinder Head	29	697126	Rod—Connecting (Standard)	98A	695408	Kit—Idle Speed
9	★697109	Gasket—Breather			697263	104	●690525	Pin—Float Hinge
10	697157	Screw (Breather Assembly)			Rod—Connecting (.020" Undersize)	104A	●694918	Pin—Float Hinge
11	697113	Tube—Breather	32	692852	Screw (Connecting Rod)	105	●231855	Valve—Float Needle
12	★697110	Gasket—Crankcase (.015" Thick)(Standard)	33	695760	Valve—Exhaust	105A	●696136	Valve—Float Needle
13	690360	Screw (Cylinder Head)	34	695761	Valve—Intake	106	●690577	Seat—Inlet (Gravity Feed)
15	690946	Plug—Oil Drain (3/8" Diameter)	35	691279	Spring—Valve (Intake)	108	690464	Valve—Choke (697204)
16	697127	Crankshaft	36	691279	Spring—Valve (Exhaust)	108A	692344	Valve—Choke (696181, 697203)
20	★690947	Seal—Oil (PTO Side)	37	697352	Guard—Flywheel	108B	695419	Valve—Choke
22	692125	Screw (Crankcase Cover/Sump)	42	499586	Keeper—Valve	117	●694352	Jet—Main (Standard)
23	693557	Flywheel	43	691968	Slinger—Governor/Oil	117A	●699457	Jet—Main (Standard)
		Note	45	690564	Tappet—Valve	118	697228	Jet—Main (High Altitude)
		693556 Flywheel Used on Type No(s). 0419.	46	698492	Camshaft	118A	699458	Jet—Main (High Altitude)
24	222698	Key—Flywheel	50	690193	Manifold—Intake	121	697241	Kit—Carburetor Overhaul (Walbro Carburetor)
25	699025	Piston Assembly (Standard)	51★△●692137	Gasket—Intake	121A	699521	Kit—Carburetor Overhaul (Nikki Carburetor)	
		Note	53	690227	Stud (Carburetor)	125	698445	Carburetor (Gravity Feed)
		699040 Piston Assembly (.010" Oversize)	54	691148	Screw (Intake Manifold)	127	695005	Plug—Welch (5/16" Diameter)
		699041 Piston Assembly (.020" Oversize)	73	697133	Screen—Rotating (Used After Code Date 03042300)			
		699042 Piston Assembly (.030" Oversize)	73B	699708	Screen—Rotating (Used Before Code Date 03042400)			
			74	697897	Screw (Rotating Screen)			
			78	691003	Screw (Flywheel Guard)			

★ Included in Engine Gasket Set—Ref. No.358.

● Included in Carburetor Overhaul Kit—Ref. No. 121 or 121A.

◆ Included in Carburetor Gasket Set—Ref. No. 977.

△ Included in Valve Gasket Set—Ref. No 1095.

Illustrations cover a range of engines. Parts shown without corresponding text may not be used on your specific engine.

REF. NO.	PART NO.	DESCRIPTION	REF. NO.	PART NO.	DESCRIPTION	REF. NO.	PART NO.	DESCRIPTION
127A	●690727	Plug–Welch	270	691027	Nut (Control Wire Casing)	510	693699	Drive–Starter
130	691750	Valve–Throttle				513	692024	Clutch–Drive
130A	699500	Valve–Throttle	271	691028	Lever–Control	521	690581	Shield–Cable
131	494379	Kit–Throttle Shaft	276	●692255	Washer–Sealing	523	699908	Dipstick
131A	699501	Kit–Throttle Shaft	276A	695410	Washer–Sealing	524	★691032	Seal–Dipstick Tube
133	494381	Float–Carburetor	304	698402	Housing–Blower (Red)	525	697184	Tube–Dipstick
133A	694914	Float–Carburetor				526	697088	Screw (Regulator)
135	698780	Tube–Fuel Transfer	305	697102	Screw (Blower Housing)	544	692034	Armature–Starter
137	●281165	Gasket–Float Bowl	305A	697103	Screw (Blower Housing)	552	697144	Bushing–Governor Crank
137A	●698781	Gasket–Float Bowl				559	693675	Screw (Remote Choke Stop)
141	495097	Kit–Choke Shaft (697204)	306	697107	Shield–Cylinder	562	691119	Bolt (Governor Control Lever)
141A	495931	Kit–Choke Shaft (696181, 697203)	307	691003	Screw (Cylinder Shield)			
141B	698778	Kit–Choke Shaft	309	693551	Motor–Starter	579	691029	Nut (Starter Cable)
142	●697140	Nozzle–Carburetor (Standard)	310	690323	Screw (Starter Motor)	584	697112	Cover–Breather Passage
146	691639	Key–Timing	311	497608	Brush Set	601	95162	Clamp–Hose
186	692317	Connector–Hose (90 Degree)	333	492341	Armature–Magneto	614	691620	Pin–Cotter
186A	698174	Connector–Hose (Straight)	334	691061	Screw (Magneto Armature)	616	692012	Crank–Governor
187B	698417	Line–Fuel (Formed)(10–1/4 Inches Long)(Cut to Required Length)	337	491055	Plug–Spark	617	★692138	Seal–O Ring (Intake Manifold)
				Note				
188	691693	Screw (Control Bracket)		691043	Plug–Spark Used on Type No(s). 0419.	634	●690801	Spring/Seal Assembly (697204)
192	691986	Adjuster–Rocker Arm	344	697561	Screw (Cable Clamp)	634A	●690802	Spring/Seal Assembly (696181, 697203)
202	691841	Link–Mechanical Governor	356	697089	Wire–Stop	634B	●698779	Spring/Seal Assembly
209	692208	Spring–Governor (Green)	358	697191	Gasket Set–Engine	635	691909	Boot–Spark Plug
216	691840	Link–Choke	363	19203	Puller–Flywheel	643	698401	Retainer–Air Filter
222	694042	Bracket–Control	383	89838	Wrench–Spark Plug	654	690958	Nut (Carburetor)
227	691374	Lever–Governor Control	404	691691	Washer (Governor Crank)	691	★692407	Seal–Governor Shaft
232	691842	Spring–Governor Link	415	690283	Plug (Crankcase Cover/Sump)	692	690572	Spring–Detent
238	691843	Cap–Valve				697	690372	Screw (Drive Cap)
239	694115	Switch–Oil Pressure	431	697122	Elbow–Intake	718	690959	Pin–Locating
240	298090	Filter–Fuel (Red, 150 Microns)	445	698083	Filter–Air Cleaner Cartridge (Non Washable)	729B	694123	Clip–Wire Used on Type No(s). 0419.
		Note				741	697128	Gear–Timing
		394358	462	691261	Washer (Starter Cable)	750	790832	Screw (Oil Pump Cover)
265	691024	Clamp–Casing Used on Type No(s). 0193, 0235.	474A	696459	Alternator (Dual Circuit)	757	697607	Link–Counterweight
267	690804	Screw (Casing Clamp)	474B	696457	Alternator (Tri Circuit)	758	697134	Counterweight
268	691025	Casing–Control Wire (Cut To Required Length)	501	691188	Regulator Used on Type No(s). 0419.	759	697392	Pin–Counterweight
269	691026	Wire–Control (Cut To Required Length)	503	691532	Strap–Starter	783	693713	Gear–Pinion
			505	691251	Nut (Governor Control Lever)	789A	698329	Harness–Wiring
						797	693167	Nut (Brush Retainer)

★ Included in Engine Gasket Set–Ref. No.358.

● Included in Carburetor Overhaul Kit–Ref. No. 121, or 121A.

◆ Included in Carburetor Gasket Set–Ref. No. 977.

△ Included in Valve Gasket Set–Ref. No 1095.

Illustrations cover a range of engines. Parts shown without corresponding text may not be used on your specific engine.

31D700

REF. NO.	PART NO.	DESCRIPTION	REF. NO.	PART NO.	DESCRIPTION	REF. NO.	PART NO.	DESCRIPTION
801	691283	Cap-Drive	967	697015	Filter-Pre Cleaner	1029	691751	Arm-Rocker
802	691286	Cap-End	968	698403	Cover-Air Cleaner (Black)	1032	491710	Ball-Oil Pump
803	693757	Housing-Starter	975	495933	Bowl-Float	1034	690822	Guide-Push Rod
830	691095	Stud-Rocker Arm	975A	699502	Bowl-Float	1035	693784	Shaft-Pump
842	★691031	Seal-O Ring (Dipstick Tube)	977	690192	Gasket Set-Carburetor	1036	790464	Label-Emissions (Used After Code Date 04063000)
847	790442	Dipstick/Tube Assembly	987	●691326	Seal-Throttle Shaft	Note		
851	692424	Terminal-Spark Plug	987A	●698777	Seal-Throttle Shaft	695700		Label-Emissions (Used Before Code Date 04070100)
868	★Δ690968	Seal-Valve	1005	699043	Fan-Flywheel (Used After Code Date 03042300)	1040	698368	Plate-Trim
877	393456	Wire/Connector- Alternator (Dual Circuit)	Note		1044	698139	Screw (Flywheel)	
877B	393537	Wire/Connector- Alternator (Tri Circuit) Used on Type No(s). 0419.	1017	690770	Screen-Oil Pump (Push In)	1051	691265	Ring-Retaining
878	691237	Harness-Alternator (Dual Circuit)	1019	699196	Kit-Label	1054	280275	Tie-Cable
878A	691955	Harness-Alternator (Tri Circuit) Used on Type No(s). 0419.	1022	★Δ272475	Gasket-Rocker Cover	1058	275935	Operator's Manual
883	★692236	Gasket-Exhaust	1023	791079	Cover-Rocker	1059	698516	Kit-Screw/Washer
914	691108	Screw (Rocker Cover)	1024	499054	Pump-Oil Used on Type No(s). 0035, 0233, 0235.	1070	690372	Screw (Flywheel Fan)
943	★690589	Seal-O Ring (Oil Pump Cover)	1026	692003	Rod-Push (Intake)	1090	691293	Retainer-Brush
947	694393	Solenoid-Fuel	Note		1091	691333	Cap-Limiter	
947A	695423	Solenoid-Fuel	692011		1095	690190	Gasket Set-Valve	
950	691657	Screw-Float Bowl		692011	Rod-Push (Exhaust)	1119	691183	Screw (Alternator)
965	499613	Cover-Oil Pump Used on Type No(s). 0035, 0233, 0235.	1027	492932	Filter-Oil Used on Type No(s). 0035, 0233, 0235.	1127	695407	Screw (Float Bowl)
						1263	697124	Reed-Breather
						1264	697104	Screw (Breather Reed)
						1266	★●691917	Seal-O Ring (Intake Elbow)
						1266A	●697123	Seal-O Ring (Intake Elbow)
						1267	697575	Latch-Blower Housing
						1270	697156	Plug-AVS Counterweight
						1330	272147	Repair Manual

★ Included in Engine Gasket Set-Ref. No.358.

● Included in Carburetor Overhaul Kit-Ref. No. 121 or 121A.

◆ Included in Carburetor Gasket Set-Ref. No. 977.

Δ Included in Valve Gasket Set-Ref. No 1095.

Illustrations cover a range of engines. Parts shown without corresponding text may not be used on your specific engine.