

31E700

Illustrated Parts List

Model Series

31E700

TYPE NUMBERS
0114, 0378.

TABLE OF CONTENTS

Air Cleaner	5
Alternator	7
Blower Housing	5
Camshaft	2
Carburetor	4
Controls	7
Crankshaft	2
Cylinder	2
Cylinder Head	3
Electric Starter	7
Engine Sump	2
Exhaust System	5
Flywheel	6
Fuel Supply	5
Gasket Set – Engine	2
Gasket Set – Valve	3
Governor Spring	7
Ignition	7
Intake Manifold	3
Kit – Carburetor Overhaul	4
Lubrication	3
Piston, Rings, Connecting Rod	2
Valves	3

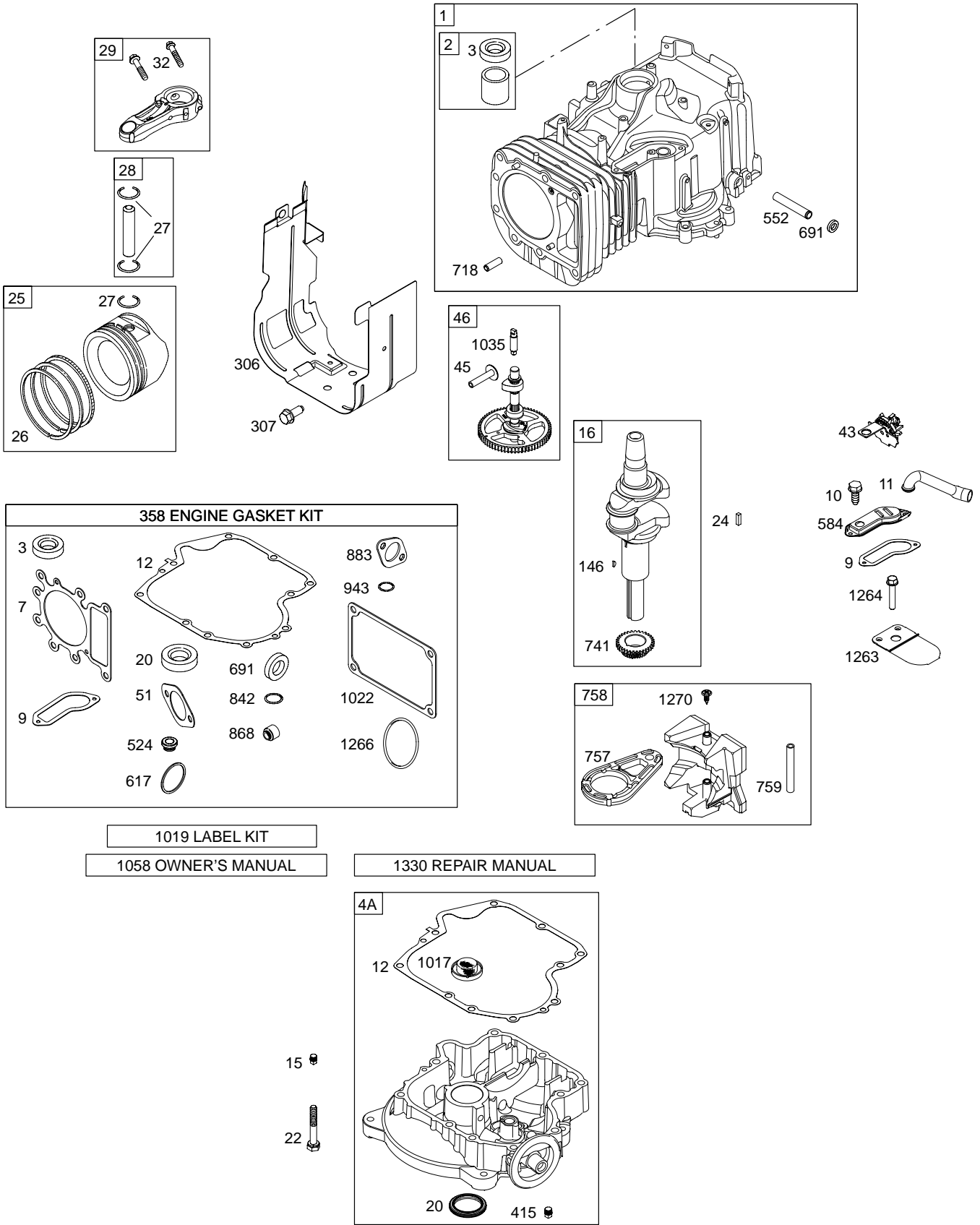
PRINTED IN U.S.A.

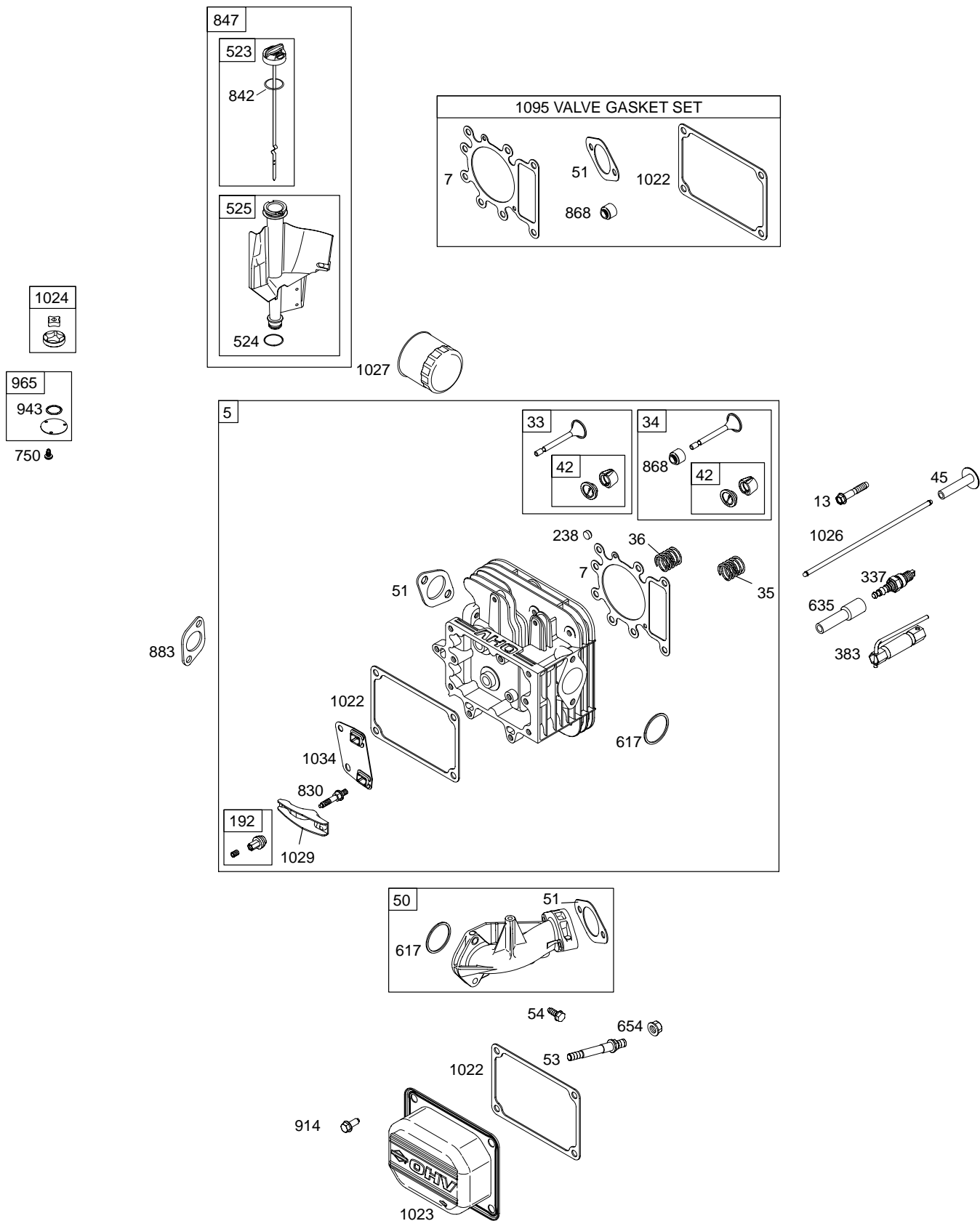


BRIGGS & STRATTON



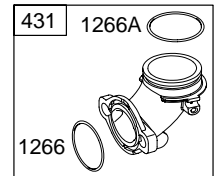
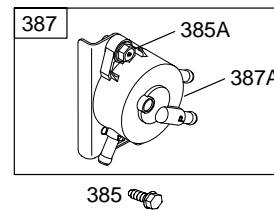
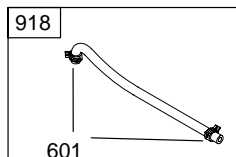
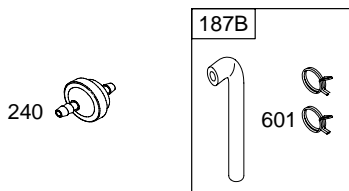
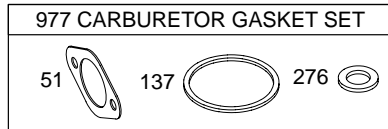
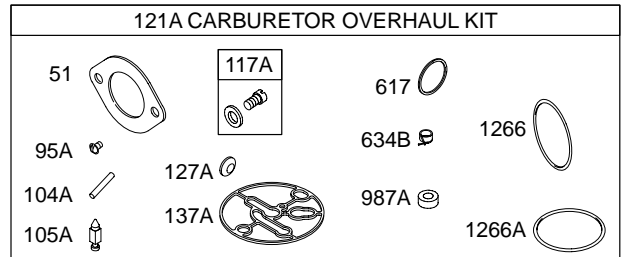
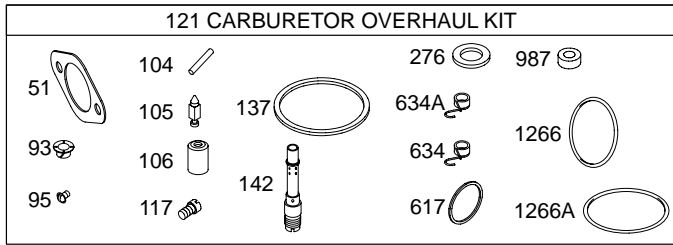
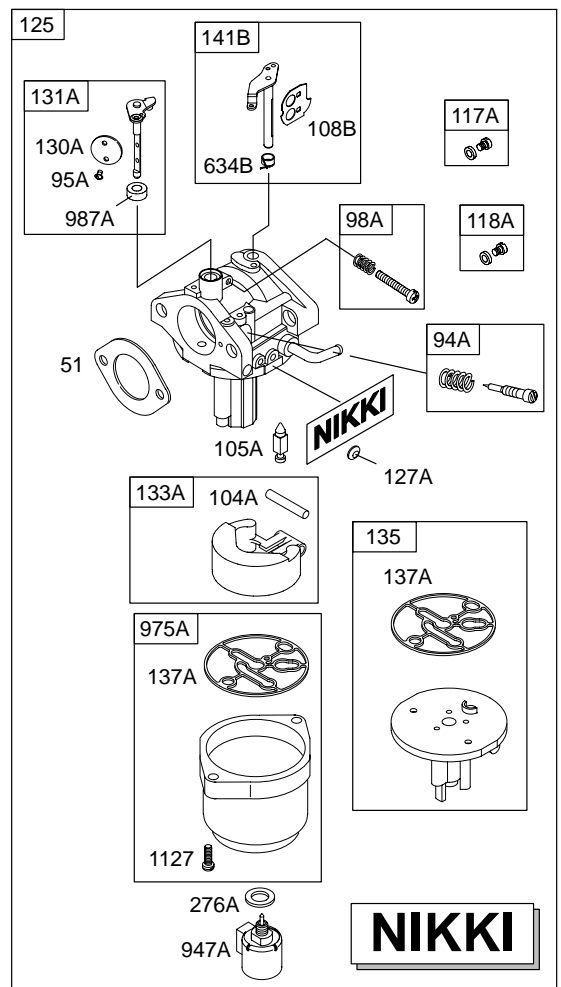
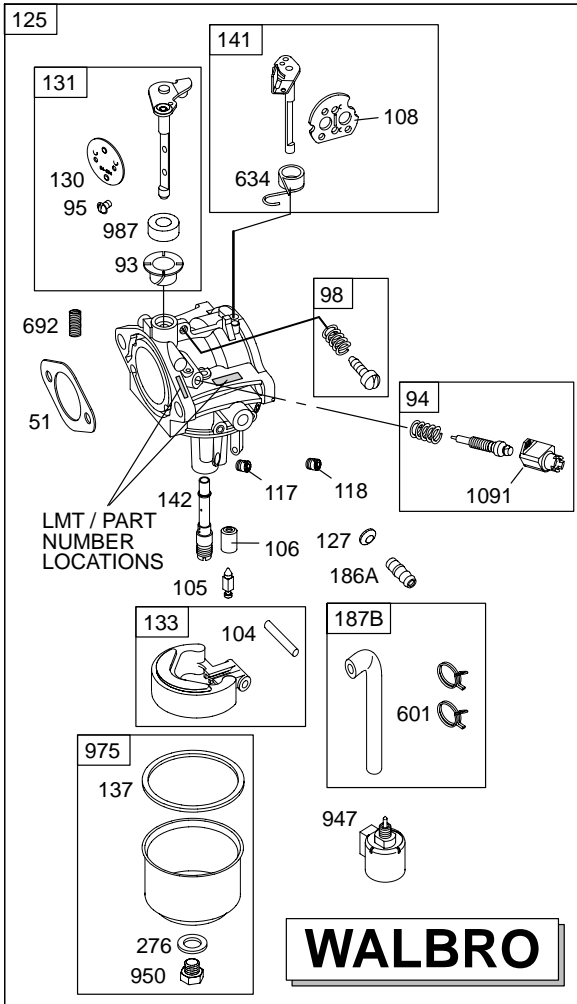
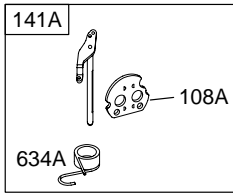
COPYRIGHT by BRIGGS & STRATTON CORPORATION
All rights reserved. No part of this material may be reproduced or transmitted,
in any form or by any means, electronic or mechanical, including photocopying,
recording or by any information storage and retrieval system, without permission
in writing from Briggs & Stratton Corporation.



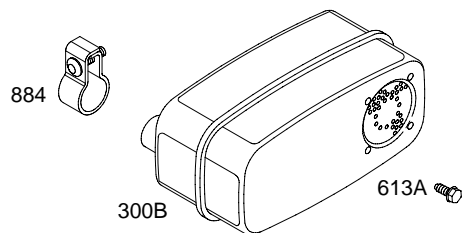
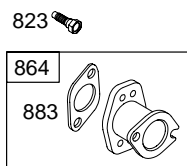
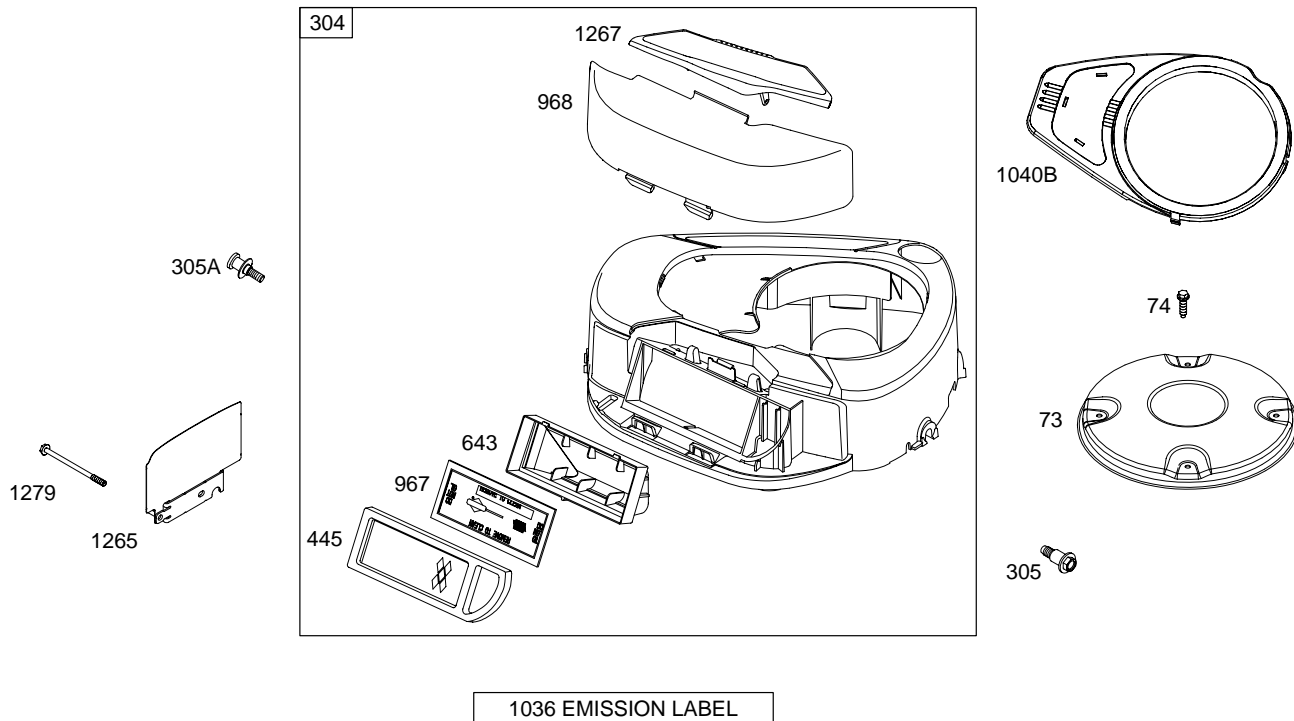


Illustrations cover a range of engines. Parts shown without corresponding text may not be used on your specific engine.
 5184-3 Assemblies include all parts shown in frames. 11/04/2004

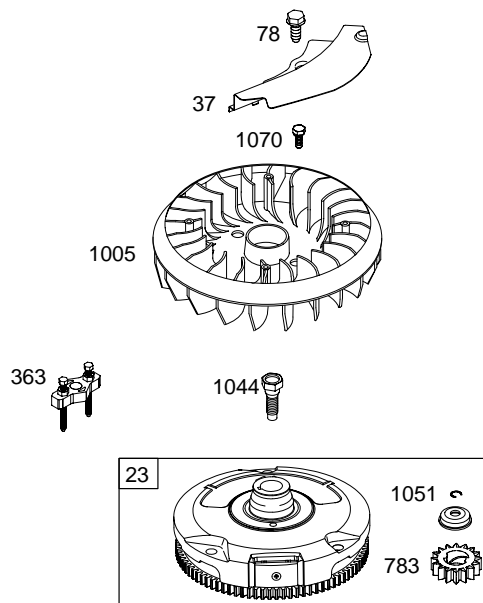
31E700

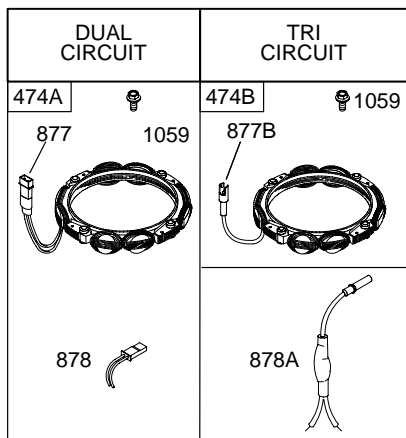



Illustrations cover a range of engines. Parts shown without corresponding text may not be used on your specific engine. 5184-4 Assemblies include all parts shown in frames. 11/04/2004



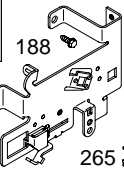
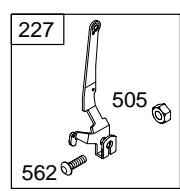
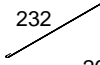
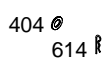
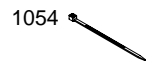
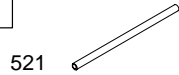
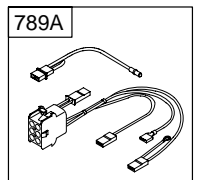
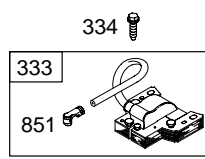
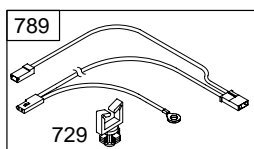
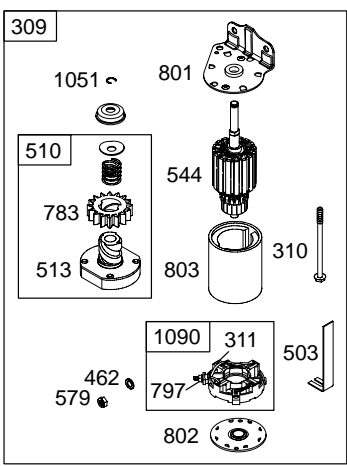
Illustrations cover a range of engines. Parts shown without corresponding text may not be used on your specific engine.
 5184-5 Assemblies include all parts shown in frames. 11/04/2004





NOTE: All stators use a No. 1119 mounting screw. 

NOTE: The proper flywheel part number and/or the alternator magnet size will determine the alternator type or output. See repair instruction manual for additional information.



Illustrations cover a range of engines. Parts shown without corresponding text may not be used on your specific engine.
 5184-7 Assemblies include all parts shown in frames. 11/04/2004

31E700

REF. NO.	PART NO.	DESCRIPTION	REF. NO.	PART NO.	DESCRIPTION	REF. NO.	PART NO.	DESCRIPTION		
1	697174	Cylinder Assembly	26	699026	Ring Set (Standard)	98	495800	Kit-Idle Speed		
2	399265	Kit-Bushing/Seal (Magneto Side)			Note	98A	695408	Kit-Idle Speed		
3	★391086	Seal-Oil (Magneto Side)			697165	Ring Set (.010" Oversize)	104	●690525	Pin-Float Hinge	
4A	697188	Sump-Engine			697171	Ring Set (.020" Oversize)	104A	694918	Pin-Float Hinge	
5	698148	Head-Cylinder			697172	Ring Set (.030" Oversize)	105	●231855	Valve-Float Needle	
7	★△699168	Gasket-Cylinder Head					105A	696136	Valve-Float Needle	
9	★697109	Gasket-Breather					106	●690577	Seat-Inlet (Gravity Feed)(696181, 697203, 697204)	
10	697157	Screw (Breather Assembly)	27	698469	Lock-Piston Pin			Note		
11	697113	Tube-Breather	28	697099	Pin-Piston (Standard)			●691780	Seat-Inlet (Pump Feed)((696179, 697202)	
12	★697110	Gasket-Crankcase (.015" Thick)(Standard)	29	697126	Rod-Connecting (Standard)			Note		
13	690360	Screw (Cylinder Head)			697263	Rod-Connecting (.020" Undersize)	108	690464	Valve-Choke (697204)	
15	690946	Plug-Oil Drain (Square Head)	32	692852	Screw (Connecting Rod)			108A	692344	Valve-Choke (696179, 696181, 697202, 697203)
16	697127	Crankshaft	33	695760	Valve-Exhaust			108B	695419	Valve-Choke
20	★690947	Seal-Oil (PTO Side)	34	695761	Valve-Intake			117	●694352	Jet-Main (Standard)
22	692125	Screw (Crankcase Cover/Sump)	35	691279	Spring-Valve (Intake)			117A	699457	Jet-Main (Standard)(Standard)
23	790835	Flywheel (Used After Code Date 04072800)	36	691279	Spring-Valve (Exhaust)			118	697228	Jet-Main (High Altitude)
		Note	37	697352	Guard-Flywheel			118A	699458	Jet-Main (High Altitude)
		693556	42	499586	Keeper-Valve			121	697241	Kit-Carburetor Overhaul
		(Used Before Code Date 04072900)	43	691968	Slinger-Governor/Oil			121A	699521	Kit-Carburetor Overhaul (Nikki Carburetor)
		693557	45	690564	Tappet-Valve			125	698445	Carburetor (Gravity Feed)(Use to replace pump and gravity feed carburetors)
		(Painted Flywheel) Used on Type No(s). 0378.	46	698492	Camshaft			127	695005	Plug-Welch (5/16" Diameter)
24	222698	Key-Flywheel	50	690193	Manifold-Intake					
25	699025	Piston Assembly (Standard)	51★△◆692137	Gasket-Intake						
		Note	53	690227	Stud (Carburetor)					
		699040	54	691148	Screw (Intake Manifold)					
		Assembly (.010" Oversize)	73	697133	Screen-Rotating					
		699041	74	697897	Screw (Rotating Screen)					
		Assembly (.020" Oversize)	78	691003	Screw (Flywheel Guard)					
		699042	93	●690602	Bushing-Throttle Shaft					
		Assembly (.030" Oversize)	94	498030	Kit-Idle Mixture					
			94A	695425	Kit-Idle Mixture					
			95	●691636	Screw (Throttle Valve)					
			95A	690718	Screw (Throttle Valve)					

★ Included in Engine Gasket Set-Ref. No.358.

● Included in Carburetor Overhaul Kit-Ref. No. 121 or 121A.

◆ Included in Carburetor Gasket Set-Ref. No. 977.

△ Included in Valve Gasket Set-Ref. No 1095.

Illustrations cover a range of engines. Parts shown without corresponding text may not be used on your specific engine.

5184-8

Assemblies include all parts shown in frames.

11/04/2004

31E700

REF. NO.	PART NO.	DESCRIPTION	REF. NO.	PART NO.	DESCRIPTION	REF. NO.	PART NO.	DESCRIPTION
127A	690727	Plug–Welch	232	691842	Spring–Governor Link	305	697102	Screw
130	691750	Valve–Throttle	238	691843	Cap–Valve			(Blower Housing)
130A	699500	Valve–Throttle	240	691035	Filter–Fuel	305A	697103	Screw
131	494379	Kit–Throttle Shaft			(Clear, 40 Microns)			(Blower Housing)
131A	699501	Kit–Throttle Shaft			Used on Type No(s).	306	697107	Shield–Cylinder
133	494381	Float–Carburetor			0114.	307	691003	Screw
133A	694914	Float–Carburetor			Note			(Cylinder Shield)
135	698780	Tube–Fuel Transfer			394358 Filter–Fuel	309	693551	Motor–Starter
137	♦281165	Gasket–Float Bowl			(White, 75 Microns)	310	690323	Screw
137A	698781	Gasket–Float Bowl			Used on Type No(s).			(Starter Motor)
141	495097	Kit–Choke Shaft			0378.	311	497608	Brush Set
		(697204)	265	691024	Clamp–Casing	333	492341	Armature–Magneto
141A	495931	Kit–Choke Shaft	267	690804	Screw	334	691061	Screw
		(696179, 697202)			(Casing Clamp)			(Magneto Armature)
141B	698778	Kit–Choke Shaft	268	691025	Casing–Control Wire	337	691043	Plug–Spark
142	♦697140	Nozzle–Carburetor			(Cut To Required Length)			(Standard)
		(Standard)	269	691026	Wire–Control	356	697089	Wire–Stop
146	691639	Key–Timing			(Cut To Required Length)	358	697191	Gasket Set–Engine
186	692317	Connector–Hose				363	19203	Puller–Flywheel
		(90 Degree)	270	691027	Nut	383	89838	Wrench–Spark Plug
186A	698174	Connector–Hose			(Control Wire Casing)	385	694476	Screw
		(Straight)	271	691028	Lever–Control			(Fuel Pump)
187B	698417	Line–Fuel	276	♦692255	Washer–Sealing	385A	690297	Screw
		(Formed)(10–1/4	276A	695410	Washer–Sealing			(Fuel Pump)
		Inches Long)(Cut to	300B	498984	Muffler	387	697090	Pump–Fuel
		Required Length)	304	790929	Housing–Blower			(Includes Mounting
188	691693	Screw			(Red)			Bracket)
		(Control Bracket)			(Used After Code Date	387A	808656	Pump–Fuel
192	691986	Adjuster–Rocker Arm			04091900)	404	691691	Washer
202	691841	Link–Mechanical			Used on Type No(s).			(Governor Crank)
		Governor			0114.	415	690283	Plug
209	690480	Spring–Governor			Note			(Crankcase
		(Red)			698803			Cover/Sump)
		Used on Type No(s).			Housing–Blower	431	697122	Elbow–Intake
		0114.			(Red)	445	698083	Filter–Air Cleaner
		Note			(Used Before Code			Cartridge
		260902			Date 04092000)			(Non Washable)
		Spring–Governor			Used on Type No(s).			Note
		(Silver)			0114.			697153 Filter–Air
		Used on Type No(s).			698599			Cleaner Cartridge
		0378.			Housing–Blower			(Washable)
216	691840	Link–Choke			(Black)	462	691261	Washer
222	694042	Bracket–Control			Used on Type No(s).			(Starter Cable)
227	691374	Lever–Governor			0378.			
		Control						
		(Standard)						

★ Included in Engine Gasket Set–Ref. No.358.

● Included in Carburetor Overhaul Kit–Ref. No. 121 or 121A.

◆ Included in Carburetor Gasket Set–Ref. No. 977.

△ Included in Valve Gasket Set–Ref. No 1095.

Illustrations cover a range of engines. Parts shown without corresponding text may not be used on your specific engine.

5184–9

Assemblies include all parts shown in frames.

11/04/2004

31E700

REF. NO.	PART NO.	DESCRIPTION	REF. NO.	PART NO.	DESCRIPTION	REF. NO.	PART NO.	DESCRIPTION
474A	696459	Alternator (Dual Circuit) Used on Type No(s). 0378.	677	690661	Screw (Muffler Deflector)	877B	393537	Wire/Connector– Alternator (Tri Circuit) Used on Type No(s). 0114.
474B	696457	Alternator (Tri Circuit) Used on Type No(s). 0114.	691	★692407	Seal–Governor Shaft	878	691237	Harness–Alternator (Dual Circuit) Used on Type No(s). 0378.
501	691188	Regulator	692	690572	Spring–Detent	878A	691955	Harness–Alternator (Tri Circuit)
503	691532	Strap–Starter	697	690372	Screw (Drive Cap)	883	★692236	Gasket–Exhaust Used on Type No(s). 0114.
505	691251	Nut (Governor Control Lever)	718	690959	Pin–Locating	884	691956	Clamp–Muffler Used on Type No(s). 0114.
510	693699	Drive–Starter	729	691335	Clip–Wire (Wire Saddle)	914	691108	Screw (Rocker Cover)
513	692024	Clutch–Drive	729A	691224	Clip–Wire (Aluminum Coated Steel)	918	697091	Hose–Vacuum
521	690581	Shield–Cable	729B	694123	Clip–Wire (Nylon)	943	★690589	Seal–O Ring (Oil Pump Cover)
523	699908	Dipstick	741	697128	Gear–Timing	947	694393	Solenoid–Fuel
524	★691032	Seal–Dipstick Tube	750	790832	Screw (Oil Pump Cover)	947A	695423	Solenoid–Fuel
525	697085	Tube–Dipstick Used on Type No(s). 0114.	757	697607	Link–Counterweight	950	691657	Screw–Float Bowl
		Note	758	697134	Counterweight	965	499613	Cover–Oil Pump
		697184 Tube–Dipstick Used on Type No(s). 0378.	759	697392	Pin–Counterweight	967	697015	Filter–Pre Cleaner
526	697088	Screw (Regulator)	783	693713	Gear–Pinion	968	699830	Cover–Air Cleaner (Red) (Used After Code Date 04091900) Used on Type No(s). 0114.
544	692034	Armature–Starter	789	692037	Harness–Wiring Used on Type No(s). 0114.			Note
552	697144	Bushing–Governor Crank	789A	698329	Harness–Wiring Used on Type No(s). 0378.			697446 Cover–Air Cleaner (Red) (Used Before Code Date 04092000) Used on Type No(s). 0114.
562	691119	Bolt (Governor Control Lever)	797	693167	Nut (Brush Retainer)			698403 Cover–Air Cleaner (Black) Used on Type No(s). 0378.
579	691029	Nut (Starter Cable)	801	691283	Cap–Drive			975 495933 Bowl–Float
584	697112	Cover–Breather Passage	802	691286	Cap–End			975A 699502 Bowl–Float
601	95162	Clamp–Hose	803	693757	Housing–Starter			977 690192 Gasket Set–Carburetor
613A	690297	Screw (Muffler)	823	698941	Screw (Muffler Adapter)			987 ●691326 Seal–Throttle Shaft
614	691620	Pin–Cotter	830	691095	Stud–Rocker Arm			987A 698777 Seal–Throttle Shaft
616	692012	Crank–Governor	842	★691031	Seal–O Ring (Dipstick Tube)			1005 699043 Fan–Flywheel
617	★●692138	Seal–O Ring (Intake Manifold)	847	790443	Dipstick/Tube Assembly Used on Type No(s). 0114.			1017 690770 Screen–Oil Pump (Push In)
634	●690801	Spring/Seal Assembly (697205)			Note			
634A	●690802	Spring/Seal Assembly (696179, 697202)			790442 Dipstick/Tube Assembly Used on Type No(s). 0378.			
634B	698779	Spring/Seal Assembly	851	692424	Terminal–Spark Plug			
635	691909	Boot–Spark Plug	864	697346	Adapter–Muffler Used on Type No(s). 0114.			
643	698401	Retainer–Air Filter	868	★Δ690968	Seal–Valve			
654	690958	Nut (Carburetor)	877	393456	Wire/Connector– Alternator (Dual Circuit) Used on Type No(s). 0378.			
676	393761	Deflector–Muffler Used on Type No(s). 0114.						

★ Included in Engine Gasket Set–Ref. No.358.

● Included in Carburetor Overhaul Kit–Ref. No. 121 or 121A.

◆ Included in Carburetor Gasket Set–Ref. No. 977.

Δ Included in Valve Gasket Set–Ref. No 1095.

Illustrations cover a range of engines. Parts shown without corresponding text may not be used on your specific engine.

5184–10

Assemblies include all parts shown in frames.

11/04/2004

31E700

REF. NO.	PART NO.	DESCRIPTION	REF. NO.	PART NO.	DESCRIPTION	REF. NO.	PART NO.	DESCRIPTION
1019	699196	Kit-Label	1051	691265	Ring-Retaining	1267	697424	Latch-Blower Housing (Red)
1022	★△272475	Gasket-Rocker Cover	1054	280275	Tie-Cable			(Used After Code Date 04091900)
1023	791079	Cover-Rocker	1058	275935	Operator's Manual			Used on Type No(s). 0114.
1024	499054	Pump-Oil	1059	698516	Kit-Screw/Washer			
1026	692003	Rod-Push (Intake)	1070	690372	Screw (Flywheel Fan)			
		Note	1090	691293	Retainer-Brush			Note
		692011 Rod-Push (Exhaust)	1091	691333	Cap-Limiter			697662 Latch-Blower Housing (Red)
1027	492932	Filter-Oil	1095	690190	Gasket Set-Valve			(Used Before Code Date 04092000)
1029	691751	Arm-Rocker	1119	691183	Screw (Alternator)			Used on Type No(s). 0114.
1034	690822	Guide-Push Rod	1127	695407	Screw (Float Bowl)			697419 Latch-Blower Housing (Black)
1035	693784	Shaft-Pump	1263	697124	Reed-Breather			Used on Type No(s). 0378.
1036	790464	Label-Emissions (Used After Code Date 04063000)	1264	697104	Screw (Breather Reed)	1270	697156	Plug-AVS Counterweight
		Note	1265	697125	Support-Blower Housing (Used Before Code Date 04092400)	1279	691108	Screw (Blower Housing Support) (Used Before Code Date 14092000)
		695700 Label-Emissions (Used Before Code Date 04070100)	1266	★●691917	Seal-O Ring (Intake Elbow)	1330	272147	Repair Manual
1040B	699852	Plate-Trim (Used After Code Date 04091900)	1266A	●697123	Seal-O Ring (Intake Elbow)			
1044	698139	Screw (Flywheel)						

★ Included in Engine Gasket Set-Ref. No.358.

● Included in Carburetor Overhaul Kit-Ref. No. 121 or 121A.

◆ Included in Carburetor Gasket Set-Ref. No. 977.

△ Included in Valve Gasket Set-Ref. No 1095.

Illustrations cover a range of engines. Parts shown without corresponding text may not be used on your specific engine.
5184-11 Assemblies include all parts shown in frames. **11/04/2004**