



Illustrated Parts List

Model Series

31K700

TYPE NUMBERS
0190

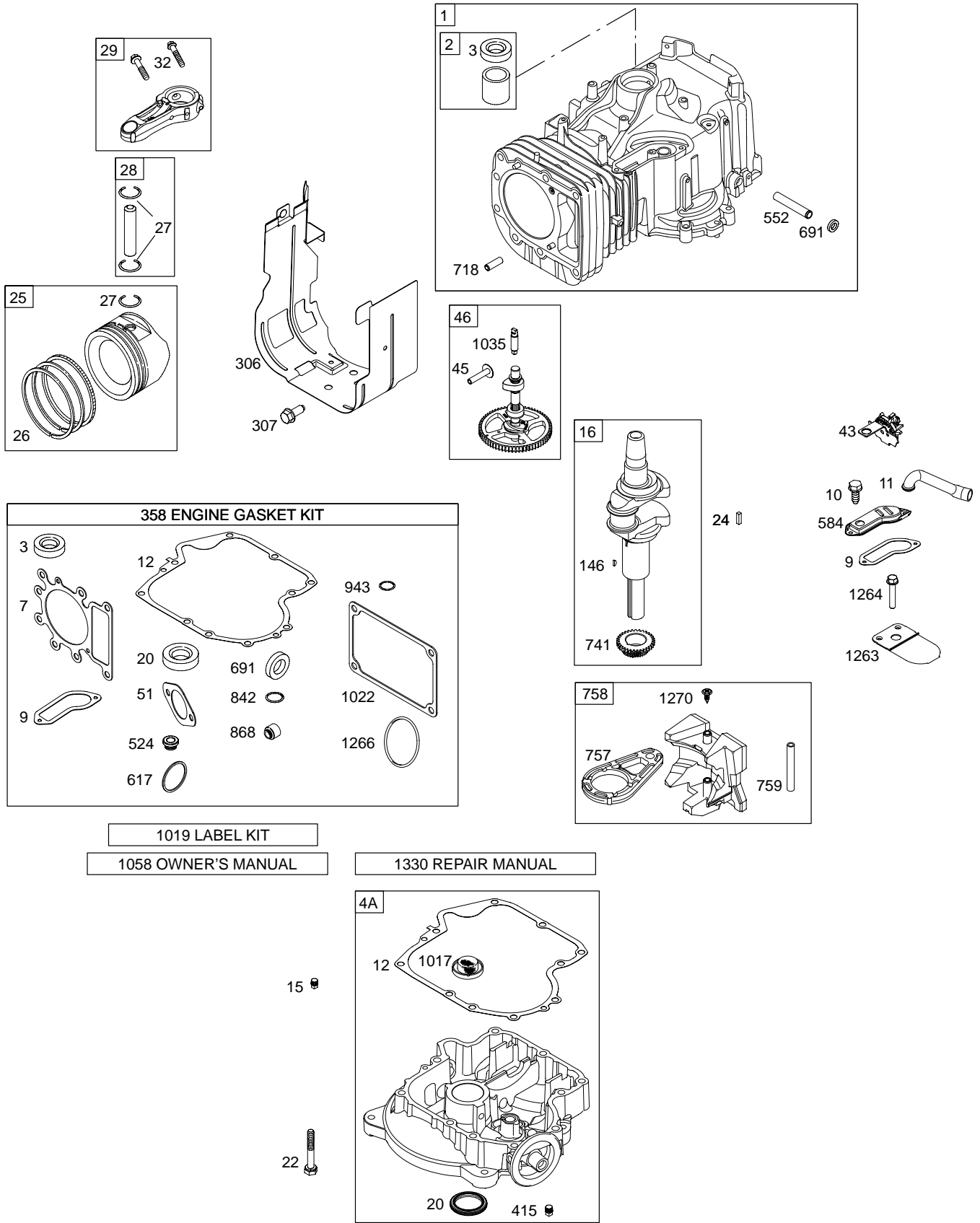
TABLE OF CONTENTS

Air Cleaner	5
Alternator	7
Blower Housing	5
Camshaft	2
Carburetor	4
Controls	7
Crankshaft	2
Cylinder	2
Electric Starter	7
Engine Sump	2
Flywheel	6
Fuel Supply	4
Gasket Set – Engine	2
Gasket Set – Valve	3
Governor Spring	7
Cylinder Head	3
Ignition	7
Intake Manifold	3
Kit – Carburetor Overhaul	4
Lubrication	3
Piston, Rings, Connecting Rod	2
Valves	3

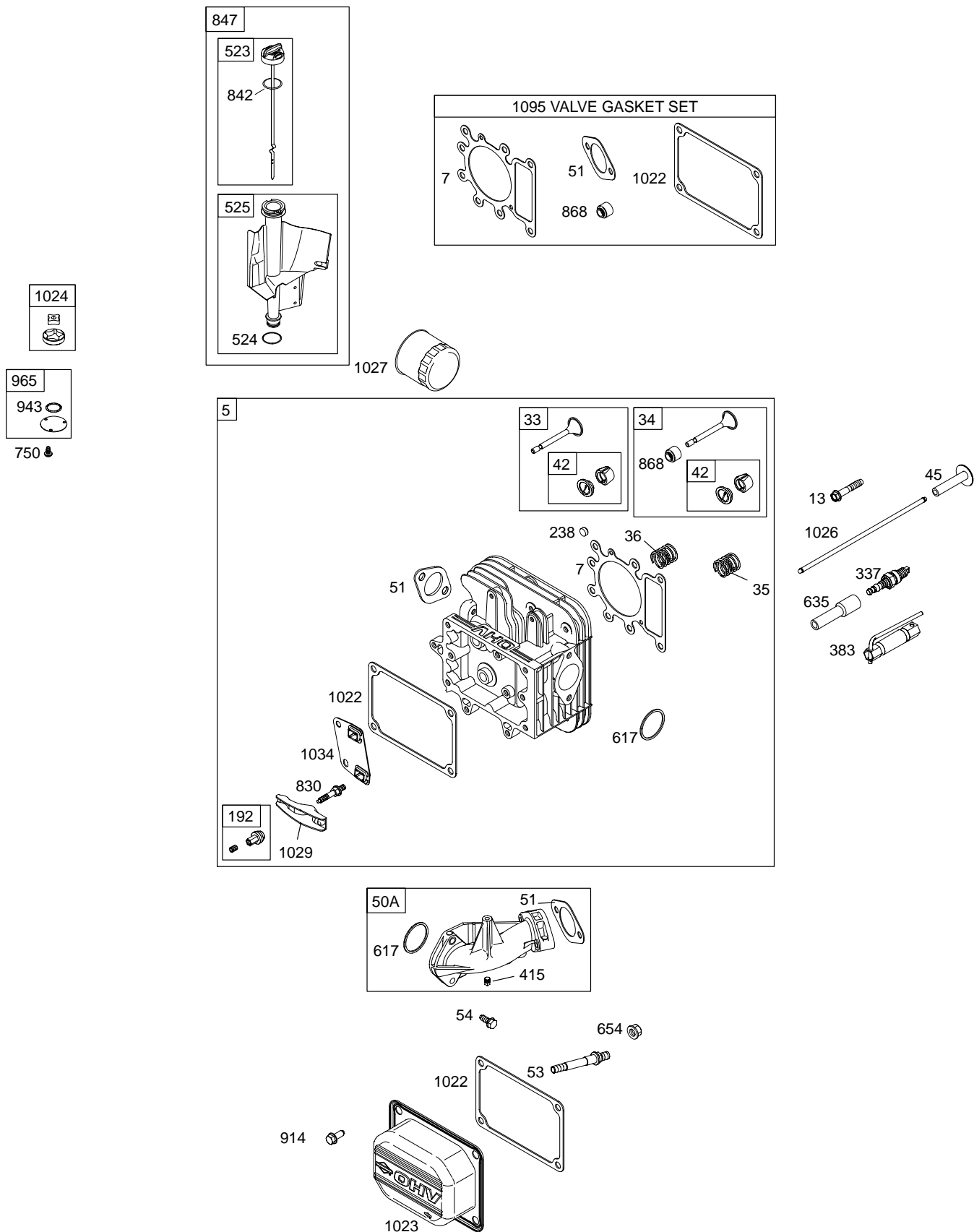


PRINTED IN U.S.A.

COPYRIGHT by BRIGGS & STRATTON CORPORATION
All rights reserved. No part of this material may be reproduced or transmitted, in any form or by any means, electronic or mechanical, including photocopying, recording or by any information storage and retrieval system, without permission in writing from Briggs & Stratton Corporation.

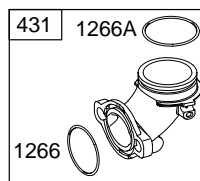
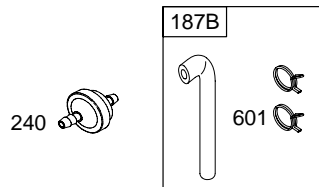
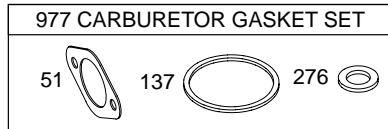
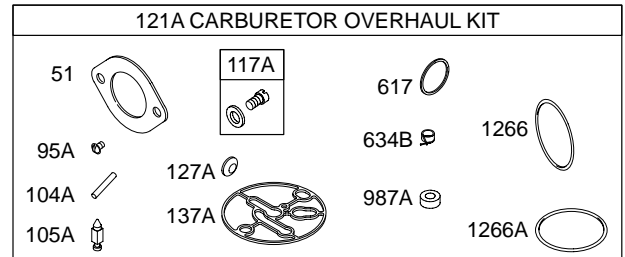
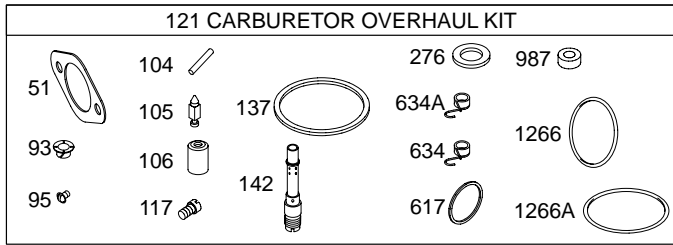
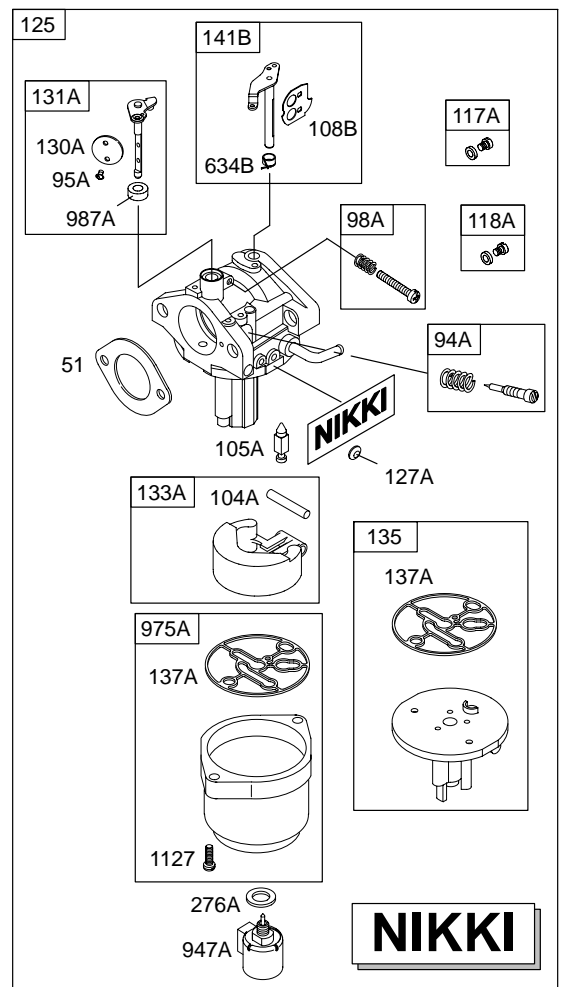
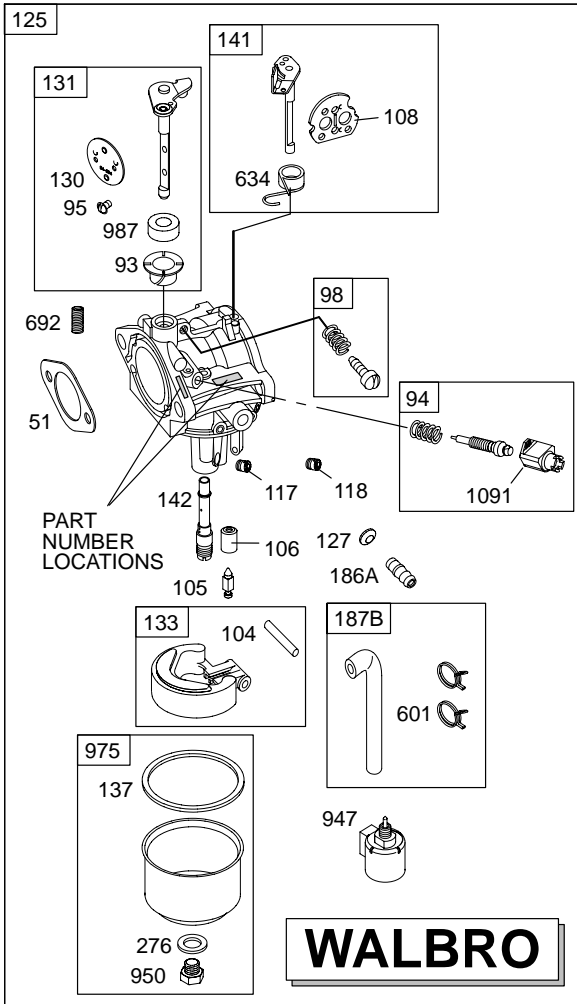
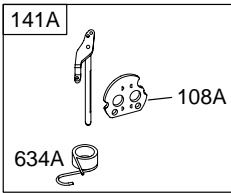


Illustrations cover a range of engines. Parts shown without corresponding text may not be used on your specific engine.

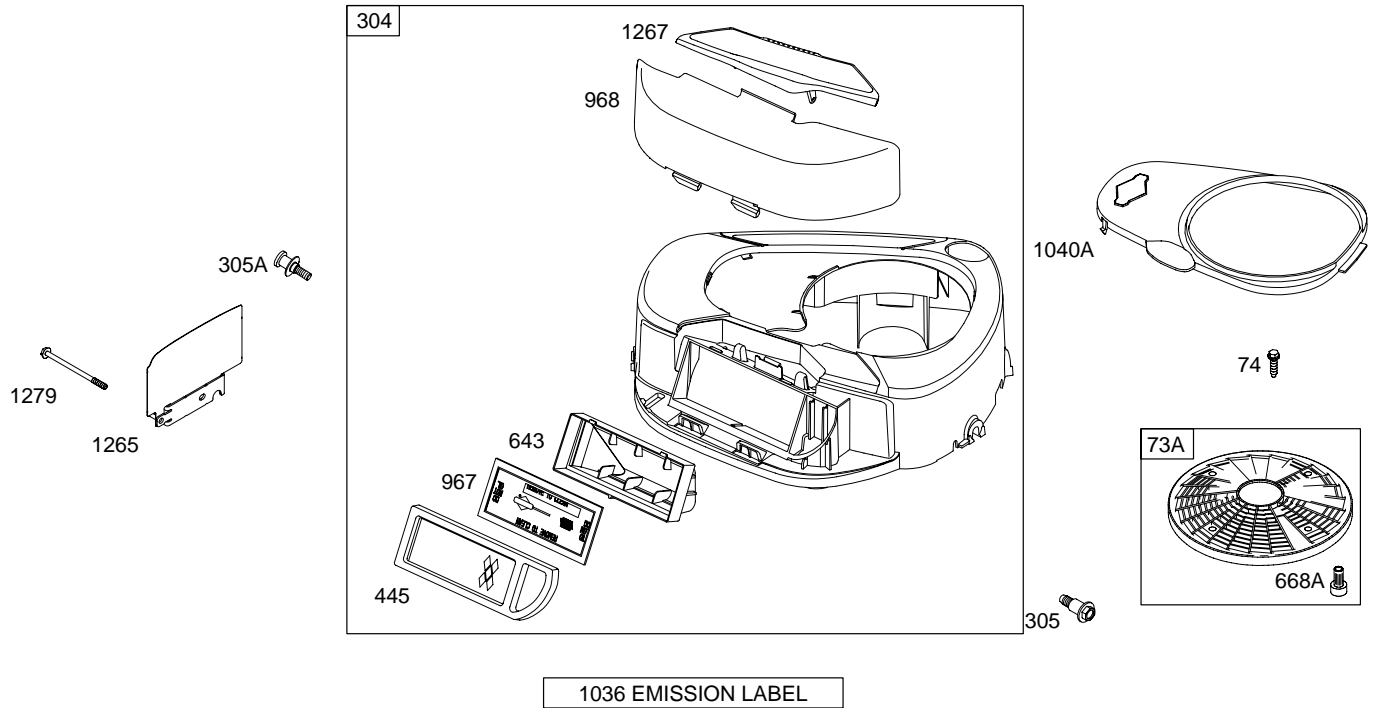


Illustrations cover a range of engines. Parts shown without corresponding text may not be used on your specific engine.
3283-3 Assemblies include all parts shown in frames. **11/09/2004**

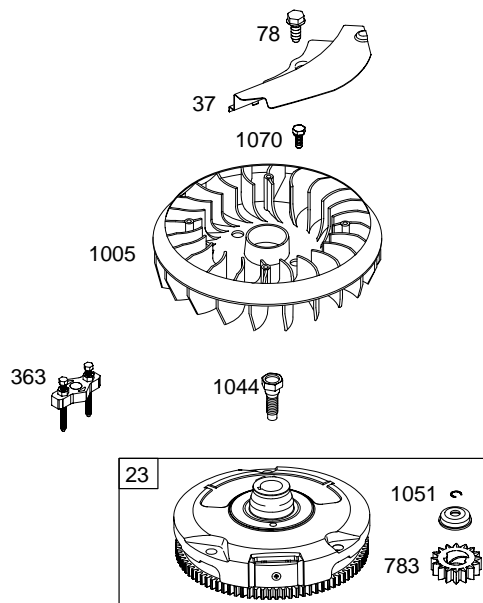
31K700

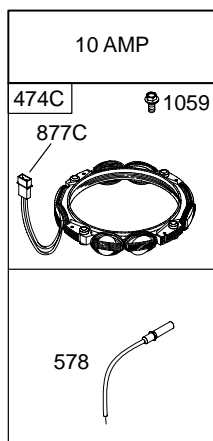



Illustrations cover a range of engines. Parts shown without corresponding text may not be used on your specific engine.
 3283-4 Assemblies include all parts shown in frames. 11/09/2004



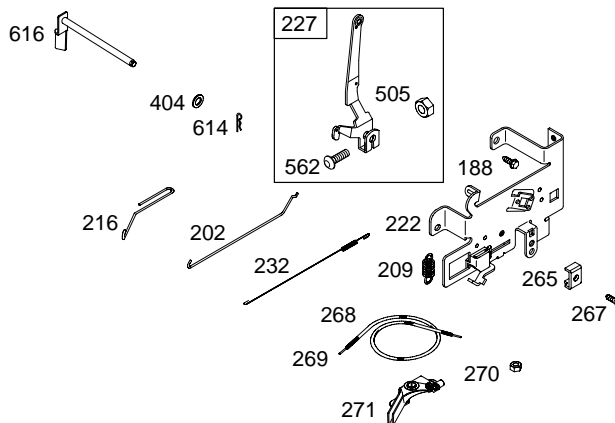
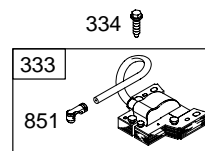
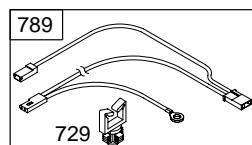
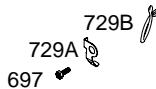
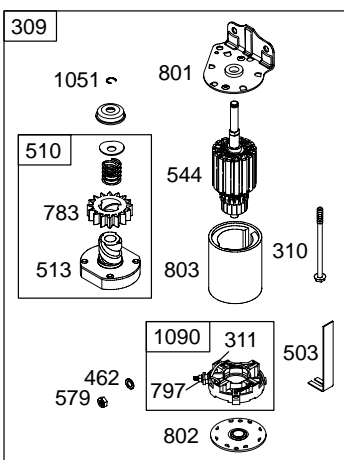
Illustrations cover a range of engines. Parts shown without corresponding text may not be used on your specific engine.





NOTE: All stators use a No. 1119 mounting screw. 

NOTE: The proper flywheel part number and/or the alternator magnet size will determine the alternator type or output. See repair instruction manual for additional information.



31K700

REF. NO.	PART NO.	DESCRIPTION	REF. NO.	PART NO.	DESCRIPTION	REF. NO.	PART NO.	DESCRIPTION
1	697174	Cylinder Assembly	32	692852	Screw (Connecting Rod)	121	697241	Kit-Carburetor Overhaul
2	399265	Kit-Bushing/Seal (Magneto Side)	33	698370	Valve-Exhaust	121A	699521	Kit-Carburetor Overhaul (Nikki Carburetor)
3	★391086	Seal-Oil (Magneto Side)	34	695761	Valve-Intake	125	698445	Carburetor (Gravity Feed)
4A	697188	Sump-Engine	35	691279	Spring-Valve (Intake)	127	695005	Plug-Welch
5	698404	Head-Cylinder	36	691279	Spring-Valve (Exhaust)	127A	●690727	Plug-Welch
7	★△699168	Gasket-Cylinder Head	37	697108	Guard-Flywheel	130	691750	Valve-Throttle
9	★697109	Gasket-Breather	42	499586	Keeper-Valve	130A	699500	Valve-Throttle
10	697157	Screw (Breather Assembly)	43	691968	Slinger-Governor/Oil	131	494379	Kit-Throttle Shaft
11	697113	Tube-Breather	45	690564	Tappet-Valve	131A	699501	Kit-Throttle Shaft
12	★697110	Gasket-Crankcase	46	790400	Camshaft	133	494381	Float-Carburetor
13	690360	Screw (Cylinder Head)	50A	695527	Manifold-Intake	133A	694914	Float-Carburetor
15	690946	Plug-Oil Drain (Square Socket)	51★△●	692137	Gasket-Intake	135	699780	Tube-Fuel Transfer
16	697516	Crankshaft	53	690227	Stud (Carburetor)	137	●281165	Gasket-Float Bowl
20	★690947	Seal-Oil (PTO Side)	54	691148	Screw (Intake Manifold)	137A	●698781	Gasket-Float Bowl
22	692125	Screw (Crankcase Cover/Sump)	73A	494439	Screen-Rotating	141	495097	Kit-Choke Shaft (697204)
23	693556	Flywheel	74	691674	Screw (Rotating Screen)	141A	495931	Kit-Choke Shaft (697203)
24	222698	Key-Flywheel	78	691003	Screw (Flywheel Guard)	141B	698778	Kit-Choke Shaft
25	699052	Piston Assembly (Standard)	93	●690602	Bushing-Throttle Shaft	142	●697140	Nozzle-Carburetor (Standard)
		————— Note —————	94	498030	Kit-Idle Mixture	146	691639	Key-Timing
		699053 Piston Assembly (.010" Oversize)	94A	695425	Kit-Idle Mixture	186	692317	Connector-Hose (90 Degree)
		699054 Piston Assembly (.020" Oversize)	95	●691636	Screw (Throttle Valve)	186A	698174	Connector-Hose (Straight)
		699055 Piston Assembly (.030" Oversize)	95A	●690718	Screw (Throttle Valve)	187B	699331	Line-Fuel (Formed)(10-1/4 Inches Long)(Cut to Required Length)
26	699051	Ring Set (Standard)	98	495800	Kit-Idle Speed	188	691693	Screw (Control Bracket)
		————— Note —————	98A	695408	Kit-Idle Speed	192	691986	Adjuster-Rocker Arm
		697558 Ring Set (.010" Oversize)	104	●690525	Pin-Float Hinge	202	691841	Link-Mechanical Governor
		697559 Ring Set (.020" Oversize)	104A	●694918	Pin-Float Hinge	209	692208	Spring-Governor
		697560 Ring Set (.030" Oversize)	105	●231855	Valve-Float Needle	216	691840	Link-Choke
27	698469	Lock-Piston Pin	105A	●696136	Valve-Float Needle	222	694042	Bracket-Control
28	697099	Pin-Piston (Standard)	106	●690577	Seat-Inlet (Gravity Feed)	227	691374	Lever-Governor Control
29	697518	Rod-Connecting (Standard)	108	690464	Valve-Choke (697204)	232	691842	Spring-Governor Link
		————— Note —————	108A	692344	Valve-Choke (697203)	238	691843	Cap-Valve
		697264 Rod-Connecting (.020" Undersize)	108B	695419	Valve-Choke	240	394358	Filter-Fuel
			117	●694352	Jet-Main (Standard)	265	691024	Clamp-Casing
			117A	●699457	Jet-Main (Standard)(Standard)	267	695134	Screw (Casing Clamp)
			118	697228	Jet-Main (High Altitude)			
			118A	699458	Jet-Main (High Altitude)			

★ Included in Engine Gasket Set-Ref. No.358.

● Included in Carburetor Overhaul Kit-Ref. No. 121 or 121A.

◆ Included in Carburetor Gasket Set-Ref. No. 977.

△ Included in Valve Gasket Set-Ref. No 1095.

Illustrations cover a range of engines. Parts shown without corresponding text may not be used on your specific engine.

31K700

REF. NO.	PART NO.	DESCRIPTION	REF. NO.	PART NO.	DESCRIPTION	REF. NO.	PART NO.	DESCRIPTION
268	691025	Casing—Control Wire (Cut To Required Length)	523	699908	Dipstick	801	691283	Cap—Drive
269	691026	Wire—Control (Cut To Required Length)	524	★691032	Seal—Dipstick Tube	802	691286	Cap—End
270	691027	Nut (Control Wire Casing)	525	697184	Tube—Dipstick	803	693757	Housing—Starter
271	691028	Lever—Control	526	697348	Screw (Regulator)	830	691095	Stud—Rocker Arm
276	◆692255	Washer—Sealing	544	692034	Armature—Starter	842	★691031	Seal—O Ring (Dipstick Tube)
276A	695410	Washer—Sealing	552	697144	Bushing—Governor Crank	847	790442	Dipstick/Tube Assembly
304	790009	Housing—Blower (Black)	562	691119	Bolt (Governor Control Lever)	851	692424	Terminal—Spark Plug
305	697102	Screw (Blower Housing)	578	692306	Wire Assembly	868	★△690968	Seal—Valve
305A	697103	Screw (Blower Housing)	579	691029	Nut (Starter Cable)	877C	399916	Wire/Connector—Alternator (10 Amp Circuit)
306	697107	Shield—Cylinder	584	697112	Cover—Breather Passage	914	691108	Screw (Rocker Cover)
307	691003	Screw (Cylinder Shield)	601	95162	Clamp—Hose	943	★690589	Seal—O Ring (Oil Pump Cover)
309	693551	Motor—Starter	614	691620	Pin—Cotter	947	694393	Solenoid—Fuel
310	690323	Screw (Starter Motor)	616	692012	Crank—Governor	947A	695423	Solenoid—Fuel
311	497608	Brush Set	617	★●692138	Seal—O Ring (Intake Manifold)	950	691657	Screw—Float Bowl
333	492341	Armature—Magneto	634	●690801	Spring/Seal Assembly (697204)	965	499613	Cover—Oil Pump
334	691061	Screw (Magneto Armature)	634A	●690802	Spring/Seal Assembly (697203)	967	697015	Filter—Pre Cleaner
337	491055	Plug—Spark	634B	●698779	Spring/Seal Assembly	968	790008	Cover—Air Cleaner
356	697089	Wire—Stop	635	691909	Boot—Spark Plug	975	495933	Bowl—Float
358	697191	Gasket Set—Engine	643	698401	Retainer—Air Filter	975A	699502	Bowl—Float
363	19203	Puller—Flywheel	643	698401	Retainer—Air Filter	977	690192	Gasket Set—Carburetor
383	89838	Wrench—Spark Plug	654	690958	Nut (Carburetor)	987	●691326	Seal—Throttle Shaft
404	691691	Washer (Governor Crank)	668A	691500	Spacer (Rotating Screen)	987A	●698777	Seal—Throttle Shaft
415	690283	Plug (Engine Sump And Intake Manifold)	691	★692407	Seal—Governor Shaft	1005	697111	Fan—Flywheel
431	697122	Elbow—Intake	692	690572	Spring—Detent	1017	690770	Screen—Oil Pump (Push In)
445	697153	Filter—Air Cleaner Cartridge (Washable)	697	690372	Screw (Drive Cap)	1019	698414	Kit—Label
462	691261	Washer (Starter Cable)	718	690959	Pin—Locating	1022	★△272475	Gasket—Rocker Cover
474C	696458	Alternator (10 Amp Circuit)	729	691335	Clip—Wire (Wire Saddle)	1023	692492	Cover—Rocker
501	691185	Regulator	729A	691224	Clip—Wire (Aluminum Coated Steel)	1024	499054	Pump—Oil
503	691532	Strap—Starter	729B	694123	Clip—Wire (Nylon)	1026	692003	Rod—Push (Intake)
505	691251	Nut (Governor Control Lever)	741	697128	Gear—Timing	————— Note —————		
510	693699	Drive—Starter	750	790832	Screw (Oil Pump Cover)	1027	696854	Filter—Oil
513	692024	Clutch—Drive	757	697607	Link—Counterweight	1029	691751	Arm—Rocker
			758	697134	Counterweight	1034	690822	Guide—Push Rod
			759	697392	Pin—Counterweight	1035	693784	Shaft—Pump
			783	693713	Gear—Pinion	1036	790464	Label—Emissions
			789	692037	Harness—Wiring	1040A	698470	Plate—Trim
			797	693167	Nut (Brush Retainer)	1044	698139	Screw (Flywheel)
						1051	691265	Ring—Retaining
						1054	280275	Tie—Cable
						1058	275935	Operator's Manual

★ Included in Engine Gasket Set—Ref. No.358.

● Included in Carburetor Overhaul Kit—Ref. No. 121 or 121A.

◆ Included in Carburetor Gasket Set—Ref. No. 977.

△ Included in Valve Gasket Set—Ref. No 1095.

Illustrations cover a range of engines. Parts shown without corresponding text may not be used on your specific engine.

3283-9

Assemblies include all parts shown in frames.

11/09/2004

31K700

REF. NO.	PART NO.	DESCRIPTION	REF. NO.	PART NO.	DESCRIPTION	REF. NO.	PART NO.	DESCRIPTION
1059	698516	Kit-Screw/Washer	1263	697124	Reed-Breather	1267	697575	Latch-Blower Housing
1070	690372	Screw (Flywheel Fan)	1264	697104	Screw (Breather Reed)	1270	697156	Plug-AVS Counterweight
1090	691293	Retainer-Brush	1265	697125	Support-Blower Housing	1279	691108	Screw (Blower Housing Support)
1091	691333	Cap-Limiter	1266	★●691917	Seal-O Ring (Intake Elbow)	1330	272147	Repair Manual
1095	690190	Gasket Set-Valve	1266A	●697123	Seal-O Ring (Intake Elbow)			
1119	691183	Screw (Alternator)						
1127	695407	Screw (Float Bowl)						

★ Included in Engine Gasket Set-Ref. No.358.

● Included in Carburetor Overhaul Kit-Ref. No. 121 or 121A.

◆ Included in Carburetor Gasket Set-Ref. No. 977.

△ Included in Valve Gasket Set-Ref. No 1095.

Illustrations cover a range of engines. Parts shown without corresponding text may not be used on your specific engine.