

31L700

Illustrated Parts List

Model Series

31L700

TYPE NUMBERS
0036 Through 0192

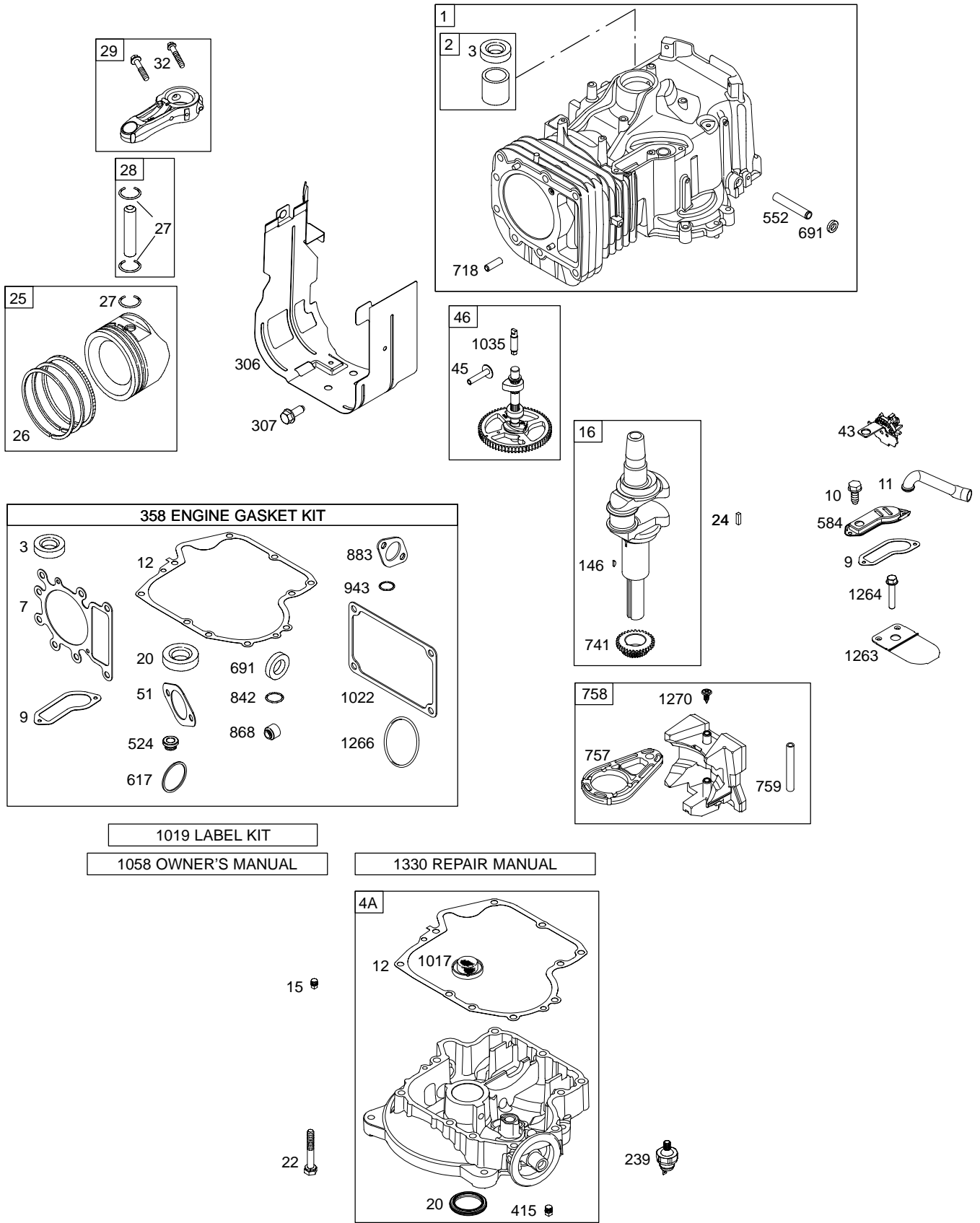
TABLE OF CONTENTS

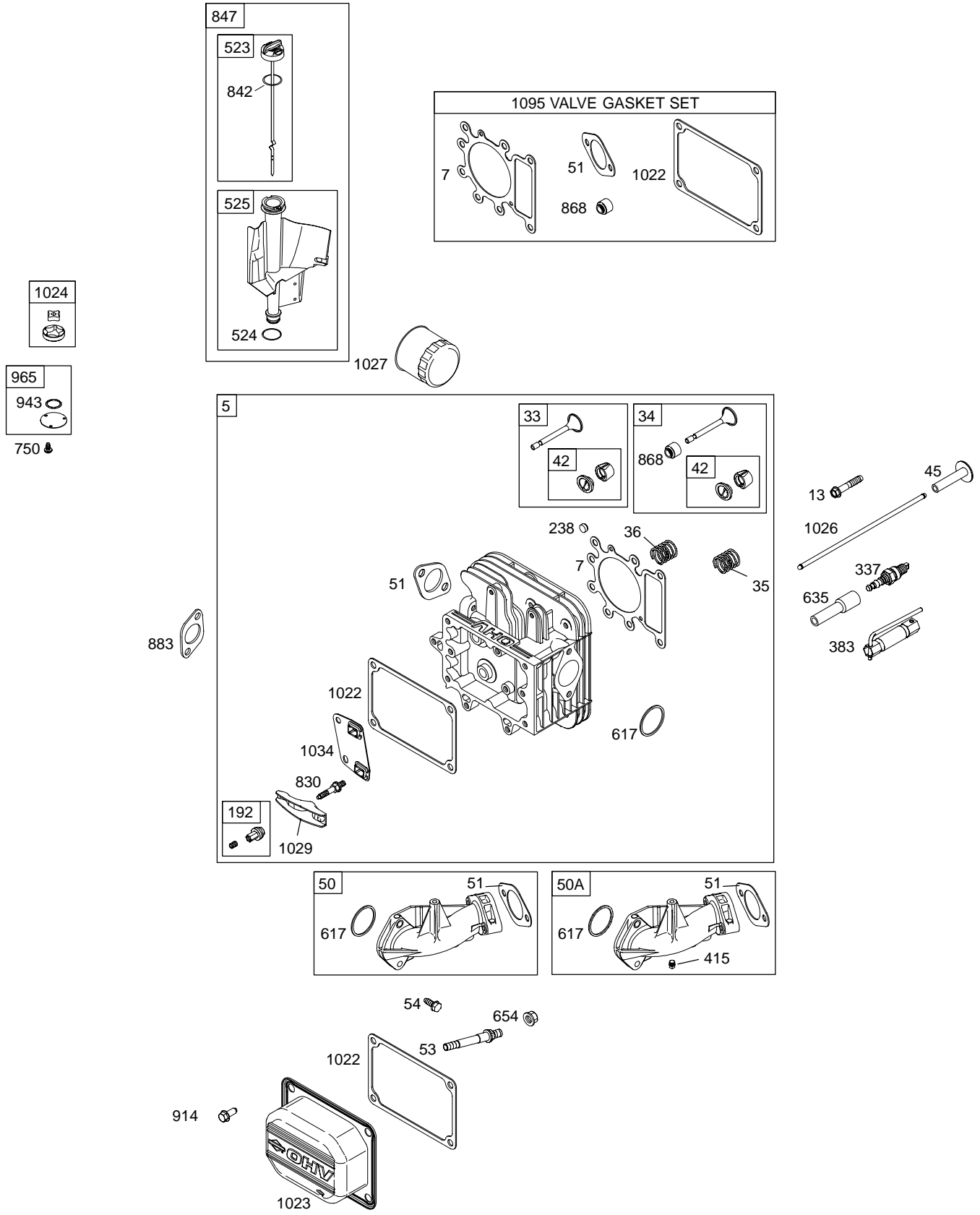
Alternator	7
Blower Housing/Air Cleaner	5
Camshaft	2
Carburetor	4
Controls	7
Crankshaft	2
Cylinder	2
Electric Starter	7
Engine Sump	2
Flywheel	6
Fuel System	4
Governor Spring	7
Cylinder Head	3
Ignition	7
Kit/Gaskets – Carburetor	4
Kit/Gaskets – Engine	2
Kit/Gaskets – Valve	3
Muffler	5
Oil System Components	3
Piston and Rod Group	2
Valves	3



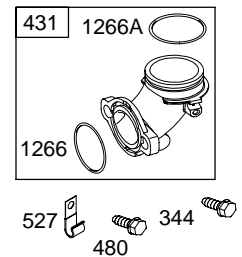
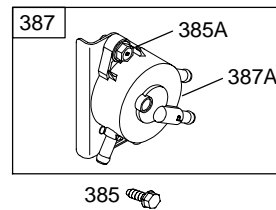
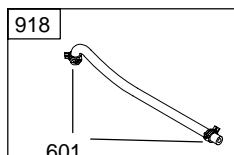
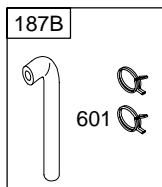
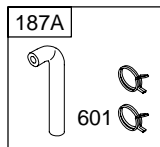
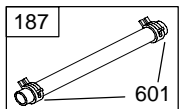
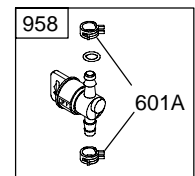
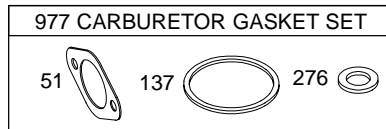
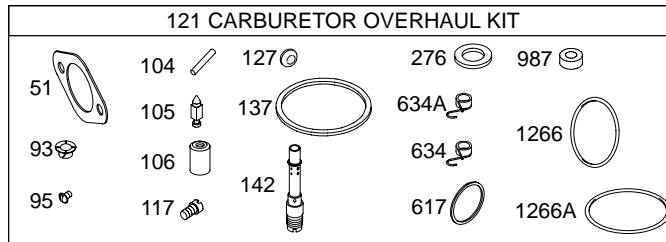
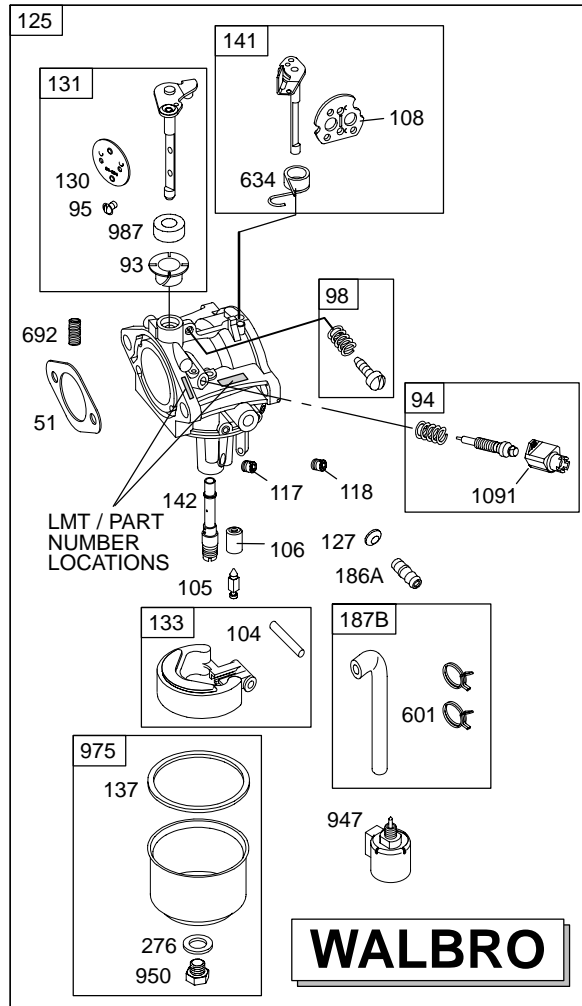
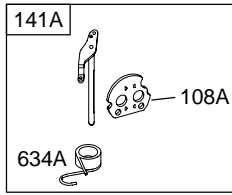
PRINTED IN U.S.A.

COPYRIGHT by BRIGGS & STRATTON CORPORATION
All rights reserved. No part of this material may be reproduced or transmitted, in any form or by any means, electronic or mechanical, including photocopying, recording or by any information storage and retrieval system, without permission in writing from Briggs & Stratton Corporation.

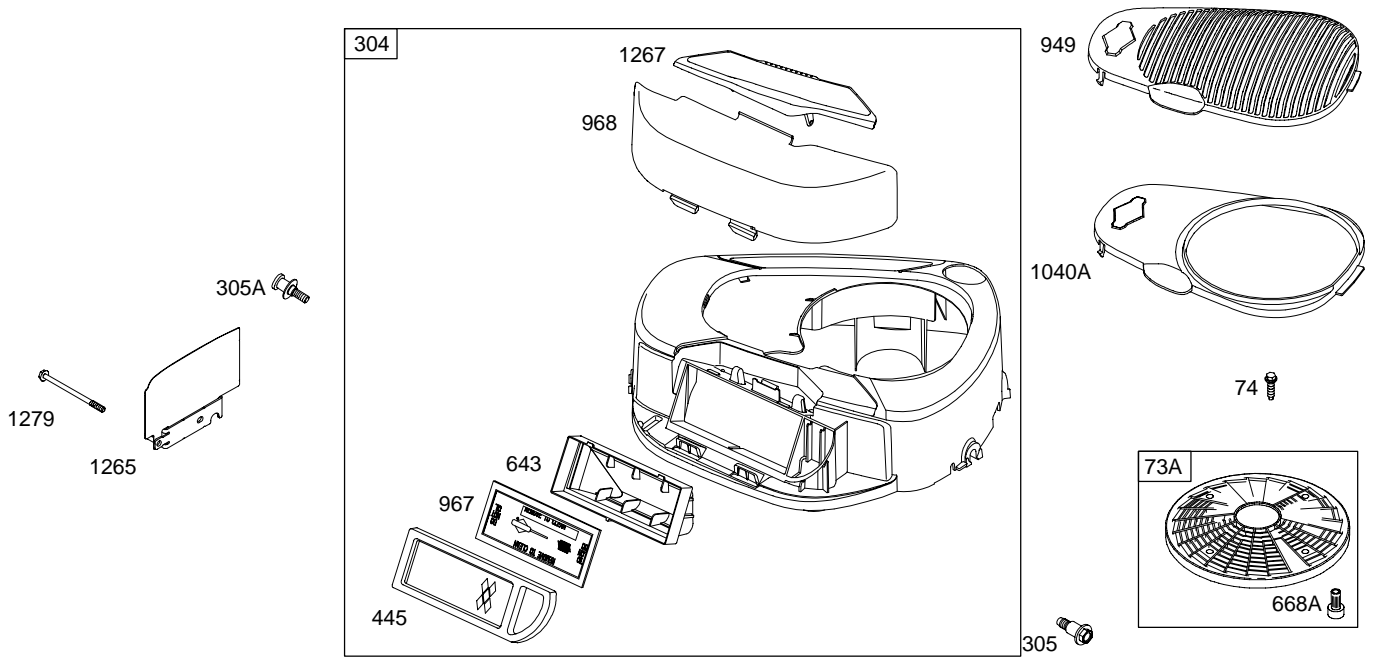




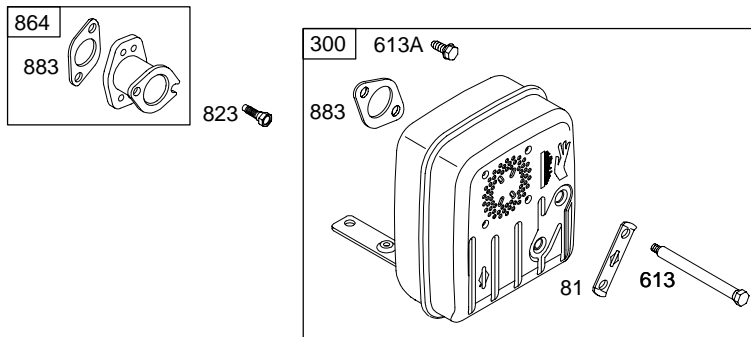
Illustrations cover a range of engines. Parts shown without corresponding text may not be used on your specific engine.
 5070-3 Assemblies include all parts shown in frames. 06/30/2004

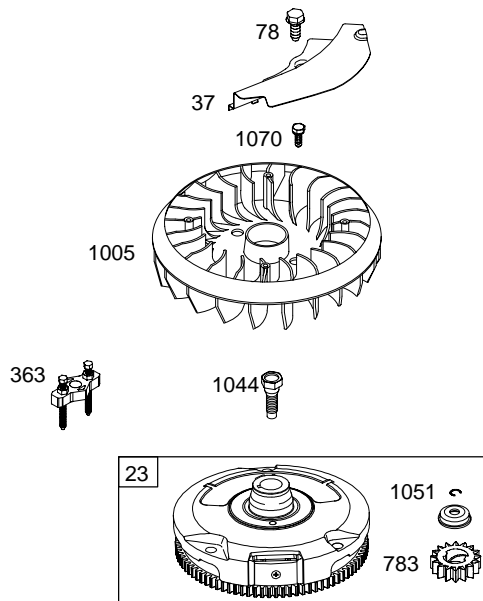


Illustrations cover a range of engines. Parts shown without corresponding text may not be used on your specific engine.



1036 EMISSION LABEL



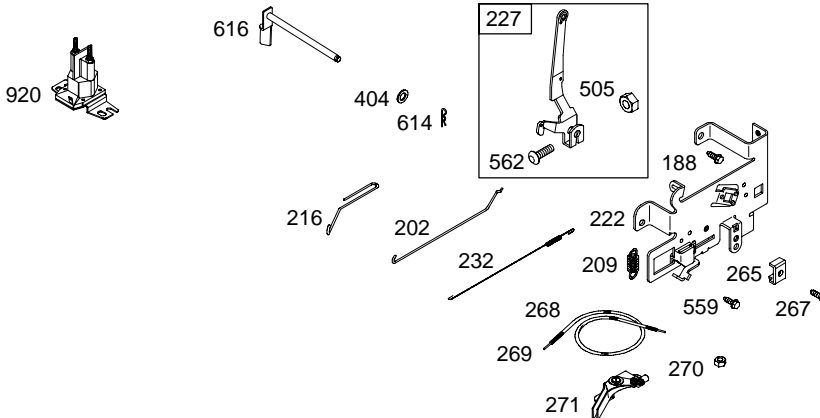
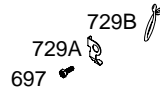
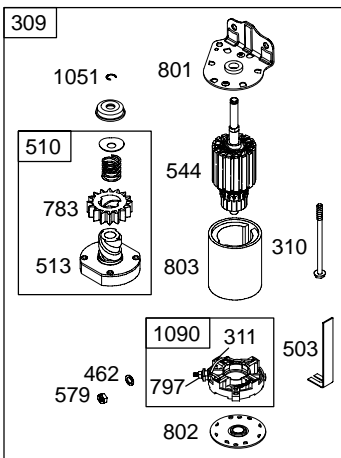
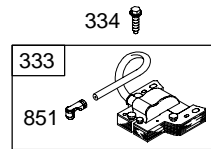
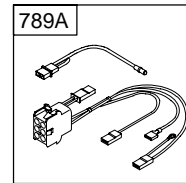
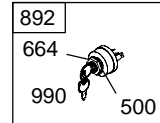
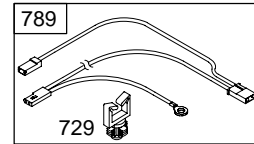


DUAL CIRCUIT		TRI CIRCUIT		10 AMP	
474A	1059	474B	1059	474C	1059



NOTE: All stators use a No. 1119 mounting screw.

NOTE: The proper flywheel part number and/or the alternator magnet size will determine the alternator type or output. See repair instruction manual for additional information.



31L700

REF. NO.	PART NO.	DESCRIPTION	REF. NO.	PART NO.	DESCRIPTION	REF. NO.	PART NO.	DESCRIPTION
1	697174	Cylinder Assembly	26	699051	Ring Set (Standard)	74	691674	Screw (Rotating Screen)
2	399265	Kit-Bushing/Seal (Magneto Side)			Note	78	691003	Screw (Flywheel Guard)
3	★391086	Seal-Oil (Magneto Side)			697558 Ring Set (.010" Oversize)	81	691178	Lock-Muffler Screw
4A	697188	Sump-Engine			697559 Ring Set (.020" Oversize)	93	●690602	Bushing-Throttle Shaft
5	698404	Head-Cylinder			697560 Ring Set (.030" Oversize)	94	498030	Kit-Idle Mixture
7	★△699168	Gasket-Cylinder Head	27	698469	Lock-Piston Pin	95	●691636	Screw (Throttle Valve)
9	★697109	Gasket-Breather	28	697099	Pin-Piston (Standard)	98	495800	Kit-Idle Speed
10	697157	Screw (Breather Assembly)	29	697518	Rod-Connecting (Standard)	104	●690525	Pin-Float Hinge
11	697113	Tube-Breather			Note	105	●231855	Valve-Float Needle
12	★697110	Gasket-Crankcase			697264 Rod-Connecting (.020" Undersize)	106	●690577	Seat-Inlet (Gravity Feed)
13	690360	Screw (Cylinder Head)	32	692852	Screw (Connecting Rod)			Note
15	690946	Plug-Oil Drain (Square Head)			692137 Gasket-Intake			●691780 Seat-Inlet (Pump Feed)
		Note	33	698370	Valve-Exhaust	108	690464	Valve-Choke (LMT 697204, 697205)
		691680 Plug-Oil Drain (Square Socket)	34	695761	Valve-Intake	108A	692344	Valve-Choke (LMT 696179, 696181, 697202, 697203)
16	697516	Crankshaft	35	691279	Spring-Valve (Intake)	117	●694352	Jet-Main (Standard)
		Note	36	691279	Spring-Valve (Exhaust)	118	697228	Jet-Main (High Altitude)
		699473 Crankshaft Used on Type No(s). 0110.	37	697108	Guard-Flywheel	121	697241	Kit-Carburetor Overhaul
20	★690947	Seal-Oil (PTO Side)	42	499586	Keeper-Valve	125	698445	Carburetor (Gravity Feed) Used on Type No(s). 0124, 0157, 0168, 0169, 0192.
22	692125	Screw (Crankcase Cover/Sump)	43	691968	Slinger-Governor/Oil			Note
23	693556	Flywheel	45	690564	Tappet-Valve			699937 Carburetor (Pump Feed) Used on Type No(s). 0036, 0110, 0122, 0123, 0138.
		Note	46	698492	Camshaft	127	●695005	Plug-Welch
		693557 Flywheel Used on Type No(s). 0169.	50	699193	Manifold-Intake	130	691750	Valve-Throttle
24	222698	Key-Flywheel	50A	695527	Manifold-Intake Used on Type No(s). 0169.	131	494379	Kit-Throttle Shaft
25	699052	Piston Assembly (Standard)			51★△●692137 Gasket-Intake	133	494381	Float-Carburetor
		Note			53 690227 Stud (Carburetor)			
		699053 Piston Assembly (.010" Oversize)	54	691148	Screw (Intake Manifold)			
		699054 Piston Assembly (.020" Oversize)	73A	494439	Screen-Rotating Used on Type No(s). 0110, 0138.			
		699055 Piston Assembly (.030" Oversize)						

★ Included in Engine Gasket Set-Ref. No.358.

● Included in Carburetor Overhaul Kit-Ref. No. 121.

◆ Included in Carburetor Gasket Set-Ref. No. 977.

△ Included in Valve Gasket Set-Ref. No 1095.

Illustrations cover a range of engines. Parts shown without corresponding text may not be used on your specific engine.

5070-8

Assemblies include all parts shown in frames.

06/30/2004

REF. NO.	PART NO.	DESCRIPTION	REF. NO.	PART NO.	DESCRIPTION	REF. NO.	PART NO.	DESCRIPTION
137	♦281165	Gasket-Float Bowl	240B	695666	Filter-Fuel (Includes 30 Micron Paper Element)	356	697089	Wire-Stop
141	495097	Kit-Choke Shaft (LMT 697204, 697205)				358	697191	Gasket Set-Engine
141A	495931	Kit-Choke Shaft (LMT 696179, 696181, 697202, 697203)			Used on Type No(s). 0036, 0110, 0122, 0123, 0138.	363	19203	Puller-Flywheel
142	♦697140	Nozzle-Carburetor (Standard)	265	691024	Clamp-Casing	383	89838	Wrench-Spark Plug
146	691639	Key-Timing	267	690804	Screw (Casing Clamp)	385	694476	Screw (Fuel Pump)
186	692317	Connector-Hose (90 Degree)			Note	385A	690297	Screw (Fuel Pump)
186A	698174	Connector-Hose (Straight)			695134 Screw (Casing Clamp) Used on Type No(s). 0192.	387	697090	Pump-Fuel Used on Type No(s). 0036, 0110, 0122, 0123, 0138.
187	691050	Line-Fuel (Cut To Required Length)	268	691025	Casing-Control Wire (Cut To Required Length)	387A	808656	Pump-Fuel
187A	697098	Line-Fuel (Formed) (3-1/2 Inches Long)	269	691026	Wire-Control (Cut To Required Length)	404	691691	Washer (Governor Crank)
187B	698417	Line-Fuel (Formed) (10-1/4 Inches Long) (Cut to Required Length)	270	691027	Nut (Control Wire Casing)	415	690283	Plug (Engine Sump And Intake Manifold)
188	691693	Screw (Control Bracket)	271	691028	Lever-Control	431	697122	Elbow-Intake
192	691986	Adjuster-Rocker Arm	276	♦692255	Washer-Sealing	445	697153	Filter-Air Cleaner Cartridge (Washable)
202	691841	Link-Mechanical Governor	300	697349	Muffler Used on Type No(s). 0036, 0110, 0122, 0124.	462	691261	Washer (Starter Cable)
209	692208	Spring-Governor Used on Type No(s). 0036, 0168, 0169, 0192.	304	698420	Housing-Blower (Black)	474A	696459	Alternator (Dual Circuit) Used on Type No(s). 0169.
		Note	305	697102	Screw (Blower Housing)	474B	696457	Alternator (Tri Circuit) Used on Type No(s). 0036, 0110, 0124, 0168, 0192.
		690480 Spring-Governor Used on Type No(s). 0110, 0122, 0123, 0124, 0138, 0157.	305A	697103	Screw (Blower Housing)	474C	696458	Alternator (10 Amp Circuit) Used on Type No(s). 0122, 0123, 0138, 0157.
216	691840	Link-Choke	306	697107	Shield-Cylinder	480	693675	Screw (Tube Clamp)
222	694042	Bracket-Control	307	691003	Screw (Cylinder Shield)	500	691086	Washer (Key Switch) Used on Type No(s). 0124.
227	691374	Lever-Governor Control	309	693551	Motor-Starter			
232	691842	Spring-Governor Link	310	690323	Screw (Starter Motor)			
238	691843	Cap-Valve	311	497608	Brush Set			
239	697049	Switch-Oil Pressure Used on Type No(s). 0110.	333	492341	Armature-Magneto			
240	394358	Filter-Fuel (White, 75 Microns) Used on Type No(s). 0124, 0157, 0168, 0169, 0192.	334	691061	Screw (Magneto Armature)			
			337	491055	Plug-Spark			
					Note			
					691043 Plug-Spark Used on Type No(s). 0124, 0168.			
			344	693675	Screw (Cable Clamp)			

★ Included in Engine Gasket Set-Ref. No.358.

● Included in Carburetor Overhaul Kit-Ref. No. 121.

◆ Included in Carburetor Gasket Set-Ref. No. 977.

△ Included in Valve Gasket Set-Ref. No 1095.

Illustrations cover a range of engines. Parts shown without corresponding text may not be used on your specific engine.

5070-9

Assemblies include all parts shown in frames.

06/30/2004

31L700

REF. NO.	PART NO.	DESCRIPTION	REF. NO.	PART NO.	DESCRIPTION	REF. NO.	PART NO.	DESCRIPTION
501	691185	Regulator Used on Type No(s). 0110, 0122, 0123, 0138, 0157.	544	692034	Armature—Starter	664	691087	Nut (Key Switch)
		Note	552	697144	Bushing—Governor Crank			Used on Type No(s). 0124.
		691188 Regulator Used on Type No(s). 0036, 0110, 0124, 0168, 0192.	559	697561	Screw (Remote Choke Stop)	668A	691500	Spacer (Rotating Screen)
503	691532	Strap—Starter	562	691119	Bolt (Governor Control Lever)	676	393761	Deflector—Muffler
505	691251	Nut (Governor Control Lever)	578	692306	Wire Assembly	677	690661	Screw (Muffler Deflector)
510	693699	Drive—Starter	579	691029	Nut (Starter Cable)	691	★692407	Seal—Governor Shaft
513	692024	Clutch—Drive	584	697112	Cover—Breather Passage	692	690572	Spring—Detent
521	690581	Shield—Cable	601	95162	Clamp—Hose	697	690372	Screw (Drive Cap)
523	699908	Dipstick	601A	691038	Clamp—Hose	718	690959	Pin—Locating
524	★691032	Seal—Dipstick Tube	613	691416	Screw (Muffler)	729	691335	Clip—Wire (Wire Saddle)
525	697085	Tube—Dipstick Used on Type No(s). 0036, 0110, 0122, 0123, 0138.			Used on Type No(s). 0036, 0110, 0122, 0124.	729A	691224	Clip—Wire (Aluminum Coated Steel)
		Note	613A	690297	Screw (Muffler)	729B	694123	Clip—Wire (Nylon)
		697184 Tube—Dipstick Used on Type No(s). 0124, 0157, 0168, 0169, 0192.	614	691620	Pin—Cotter	741	697128	Gear—Timing
526	697088	Screw (Regulator) Used on Type No(s). 0036, 0110, 0124, 0168, 0192.	616	692012	Crank—Governor	750	691033	Screw (Oil Pump Cover)
		Note	617	★692138	Seal—O Ring (Intake Manifold)	757	697607	Link—Counterweight
		697348 Screw (Regulator) Used on Type No(s). 0110, 0122, 0123, 0138, 0157.	634	●690801	Spring/Seal Assembly (LMT 697204, 697205)	758	697134	Counterweight
527	698467	Clamp—Tube Used on Type No(s). 0192.	634A	●690802	Spring/Seal Assembly (LMT 696179, 696181, 697202, 697203)	759	697392	Pin—Counterweight
			635	691909	Boot—Spark Plug	783	693713	Gear—Pinion
			643	698401	Retainer—Air Filter	789	692037	Harness—Wiring
			654	690958	Nut (Carburetor)	789A	698329	Harness—Wiring
						797	693167	Nut (Brush Retainer)
						801	691283	Cap—Drive
						802	691286	Cap—End
						803	693757	Housing—Starter
						823	690363	Screw (Muffler Adapter)
						830	691095	Stud—Rocker Arm
						842	★691031	Seal—O Ring (Dipstick Tube)

★ Included in Engine Gasket Set—Ref. No.358.

● Included in Carburetor Overhaul Kit—Ref. No. 121.

◆ Included in Carburetor Gasket Set—Ref. No. 977.

△ Included in Valve Gasket Set—Ref. No 1095.

Illustrations cover a range of engines. Parts shown without corresponding text may not be used on your specific engine.

REF. NO.	PART NO.	DESCRIPTION	REF. NO.	PART NO.	DESCRIPTION	REF. NO.	PART NO.	DESCRIPTION
847	790443	Dipstick/Tube Assembly Used on Type No(s). 0036, 0110, 0122, 0123, 0138.	965	499613	Cover—Oil Pump	1036A	698979	Label—Emissions Used on Type No(s). 0124.
		Note	967	697015	Filter—Pre Cleaner	1040A	698470	Plate—Trim
	790442	Dipstick/Tube Assembly Used on Type No(s). 0124, 0157, 0168, 0169, 0192.	968	697574	Cover—Air Cleaner	1044	698139	Screw (Flywheel)
851	692424	Terminal—Spark Plug	975	495933	Bowl—Float	1051	691265	Ring—Retaining
864	697346	Adapter—Muffler	977	690192	Gasket Set—Carburetor	1054	280275	Tie—Cable
868	★△690968	Seal—Valve	987	●691326	Seal—Throttle Shaft	1058	275935	Manual—Owner's
877	393456	Wire/Connector— Alternator (Dual Circuit)	990	691959	Key Set	1059	698516	Kit—Screw/Washer
877B	393537	Wire/Connector— Alternator (Tri Circuit)	1005	697546	Fan—Flywheel	1070	690372	Screw (Flywheel Fan)
877C	399916	Wire/Connector— Alternator (10 Amp Circuit)			Note	1090	691293	Retainer—Brush
878	691237	Harness—Alternator (Dual Circuit)	1017	690770	Screen—Oil Pump (Push In)	1091	691333	Cap—Limiter
878A	691955	Harness—Alternator (Tri Circuit)	1019	697595	Kit—Label	1095	690190	Gasket Set—Valve
883	★692236	Gasket—Exhaust	1022	★△272475	Gasket—Rocker Cover	1119	691183	Screw (Alternator)
892	692318	Switch—Key	1023	692492	Cover—Rocker	1263	697124	Reed—Breather
914	691108	Screw (Rocker Cover)	1024	499054	Pump—Oil	1264	697104	Screw (Breather Reed)
920	691656	Solenoid—Starter	1026	692003	Rod—Push (Intake)	1265	697125	Support—Blower Housing
943	★690589	Seal—O Ring (Oil Pump Cover)			Note	1266	★●691917	Seal—O Ring (Intake Elbow)
947	694393	Solenoid—Fuel	1027	696854	Filter—Oil	1266A	●697123	Seal—O Ring (Intake Elbow)
949	697729	Guard—Debris Screen	1029	691751	Arm—Rocker	1267	697575	Latch—Blower Housing
950	691657	Screw—Float Bowl	1034	690822	Guide—Push Rod	1270	697156	Plug—AVS Counterweight
958	698183	Valve—Fuel Shut Off (Plastic)	1035	693784	Shaft—Pump	1279	691108	Screw (Blower Housing Support)
			1036	790464	Label—Emissions (Used After Code Date 04063000).	1330	272147	Repair Manual
					Note			
					695700			
					Label— Emissions (Used Before Code Date 04070100).			

★ Included in Engine Gasket Set—Ref. No.358.

● Included in Carburetor Overhaul Kit—Ref. No. 121.

◆ Included in Carburetor Gasket Set—Ref. No. 977.

△ Included in Valve Gasket Set—Ref. No 1095.

Illustrations cover a range of engines. Parts shown without corresponding text may not be used on your specific engine.