



31N700

Illustrated Parts List

Model Series

31N700

TYPE NUMBERS
0026, 0233, 0430.

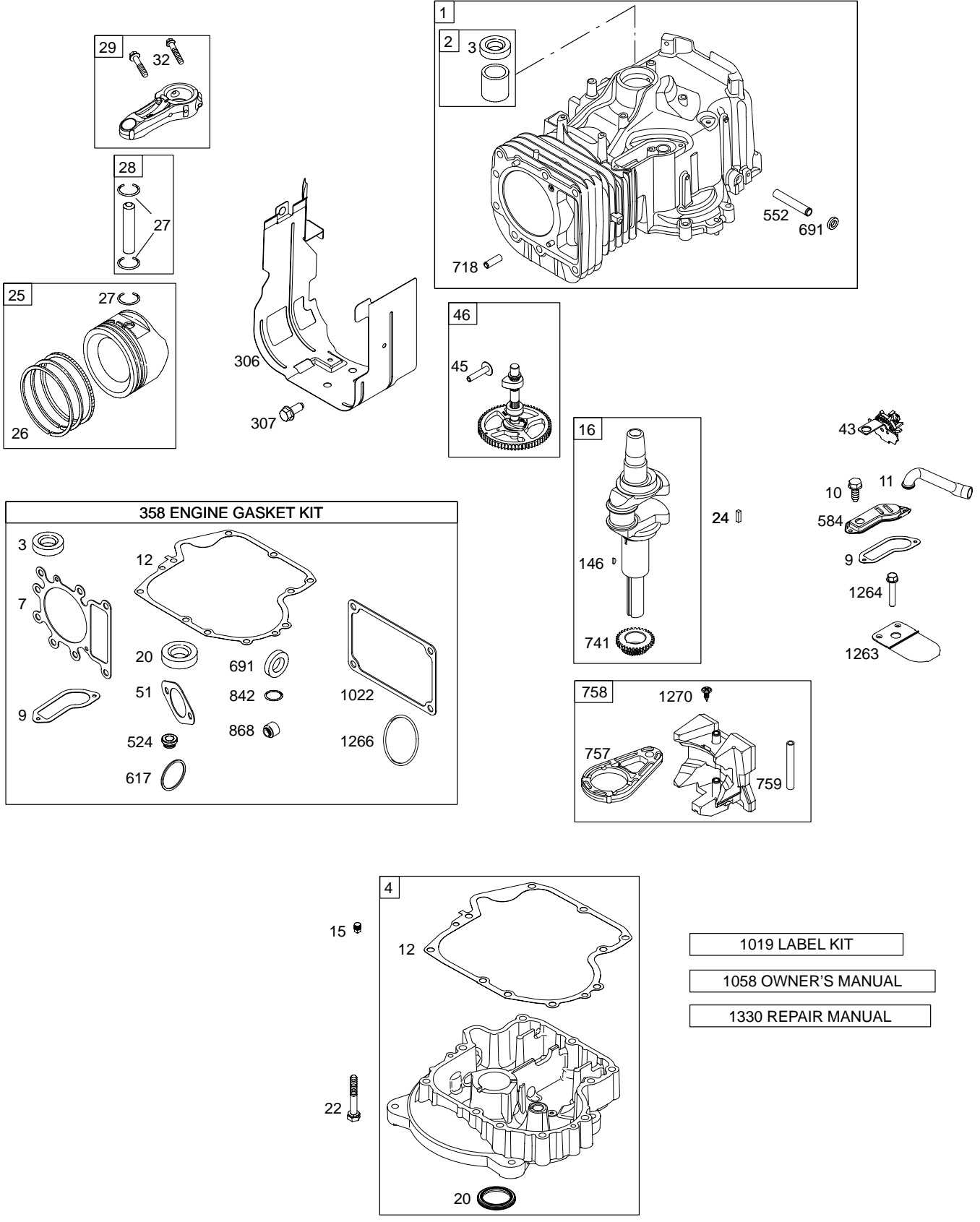
TABLE OF CONTENTS

Air Cleaner	5
Alternator	7
Blower Housing	5
Camshaft	2
Carburetor	4
Controls	7
Crankshaft	2
Cylinder	2
Cylinder Head	3
Electric Starter	7
Engine Sump	2
Flywheel	6
Fuel Supply	5
Governor Spring	7
Ignition	7
Kit - Carburetor Overhaul	4
Gasket Set - Engine	2
Gasket Set - Valve	3
Lubrication	3
Piston, Rings, Connecting Rod	2
Valves	3

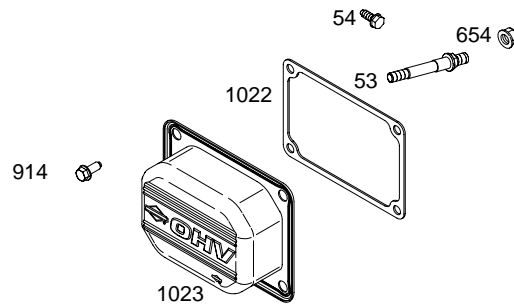
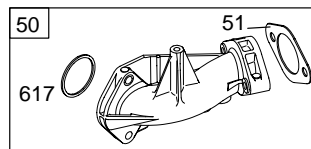
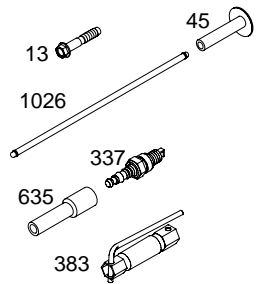
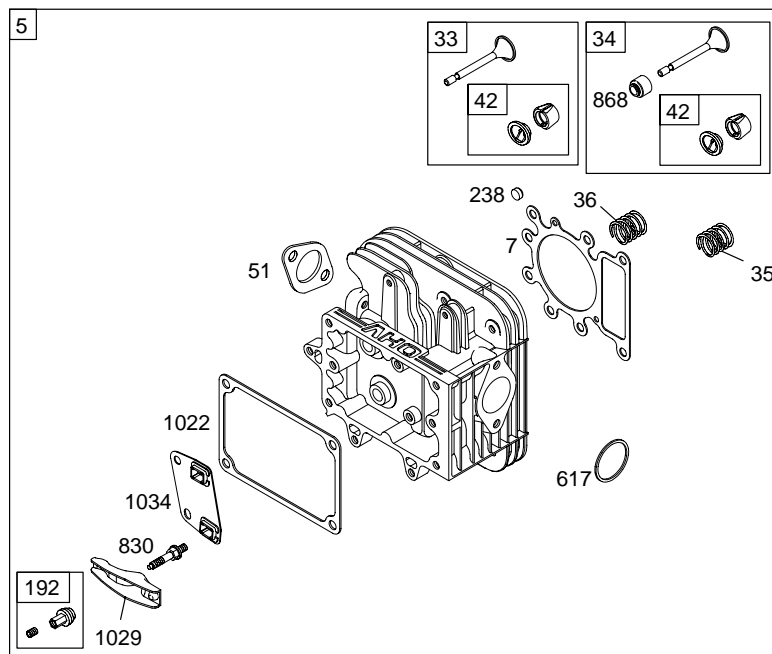
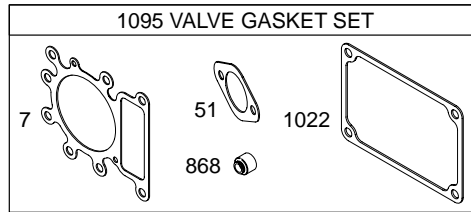
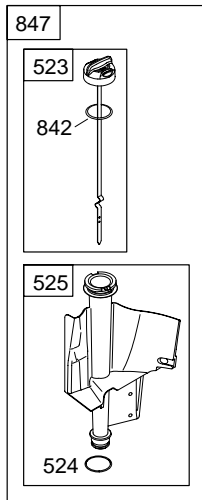


PRINTED IN U.S.A.

COPYRIGHT by BRIGGS & STRATTON CORPORATION
All rights reserved. No part of this material may be reproduced or transmitted, in any form or by any means, electronic or mechanical, including photocopying, recording or by any information storage and retrieval system, without permission in writing from Briggs & Stratton Corporation.

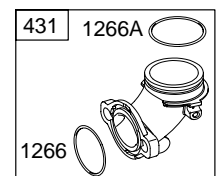
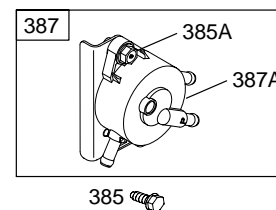
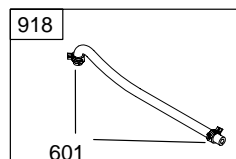
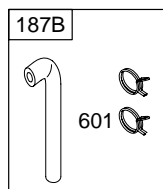
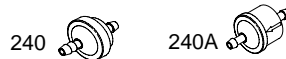
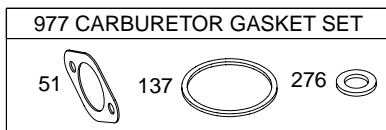
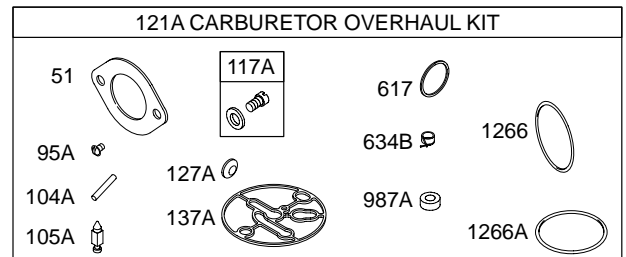
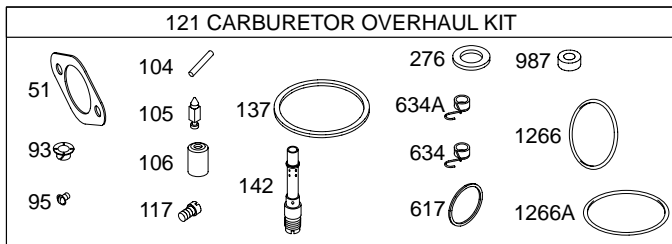
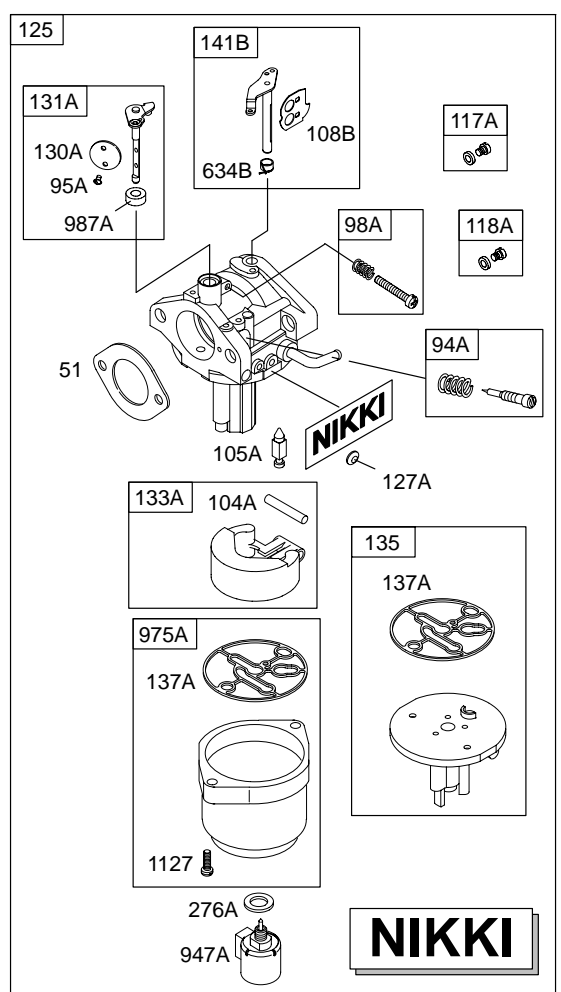
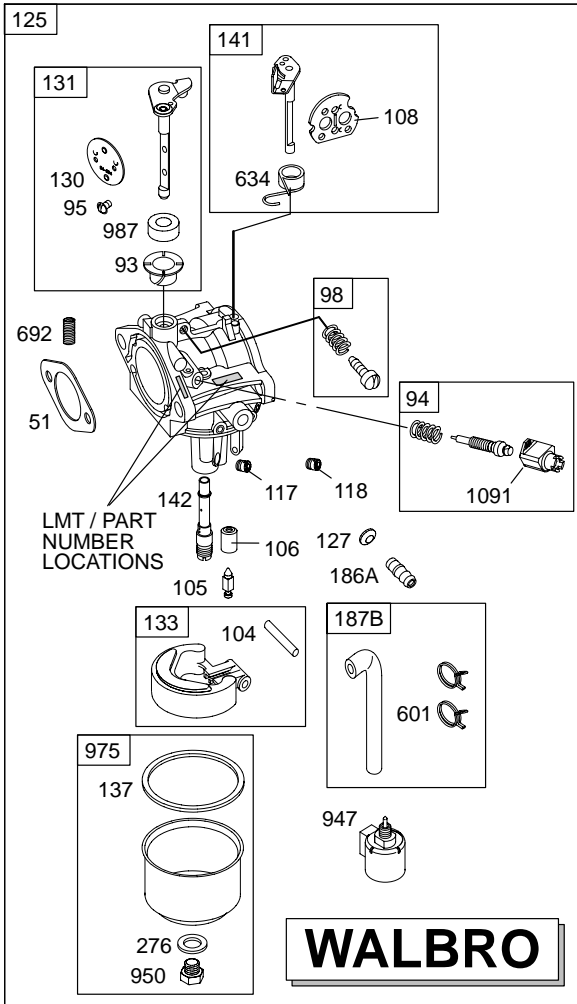
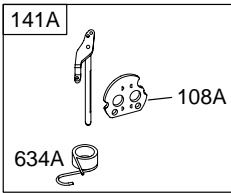


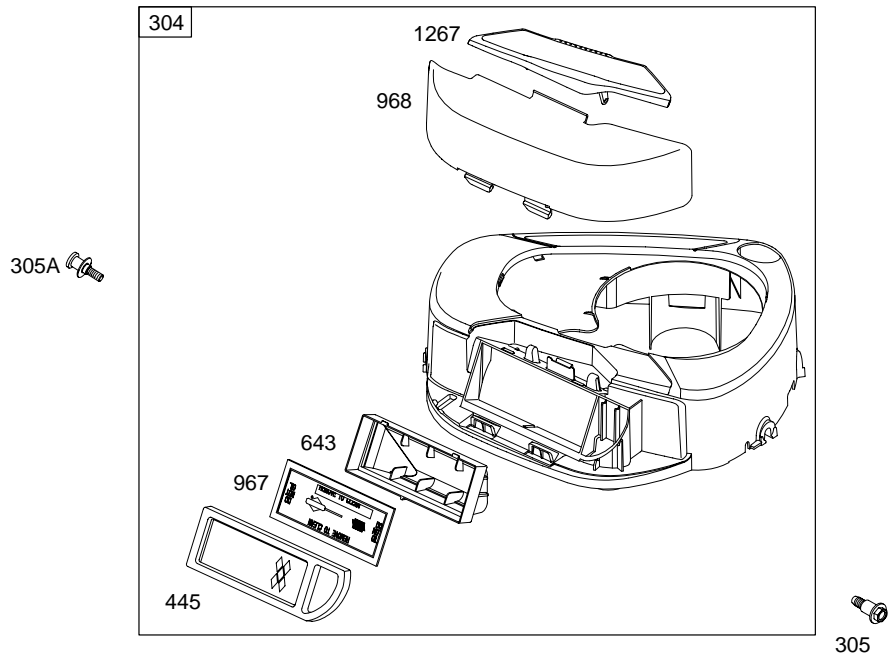
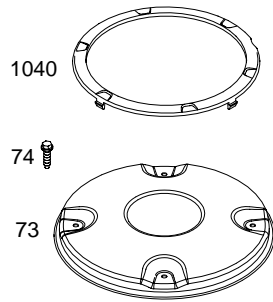
- 1019 LABEL KIT
- 1058 OWNER'S MANUAL
- 1330 REPAIR MANUAL



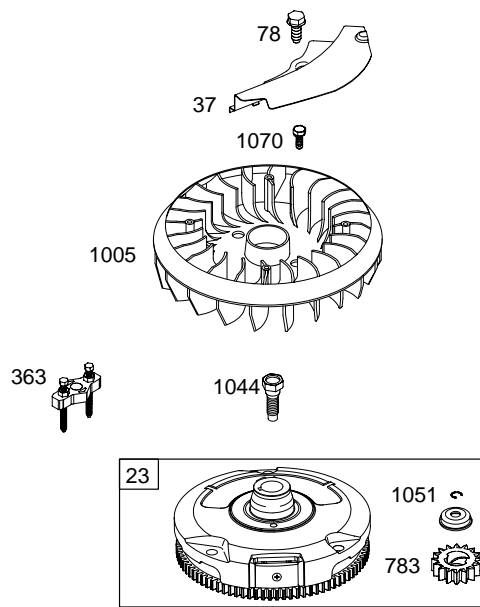
Illustrations cover a range of engines. Parts shown without corresponding text may not be used on your specific engine.
 5765-3 Assemblies include all parts shown in frames. 11/16/2004

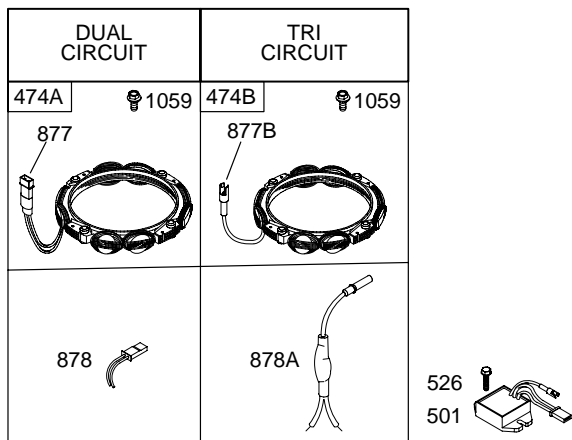
31N700





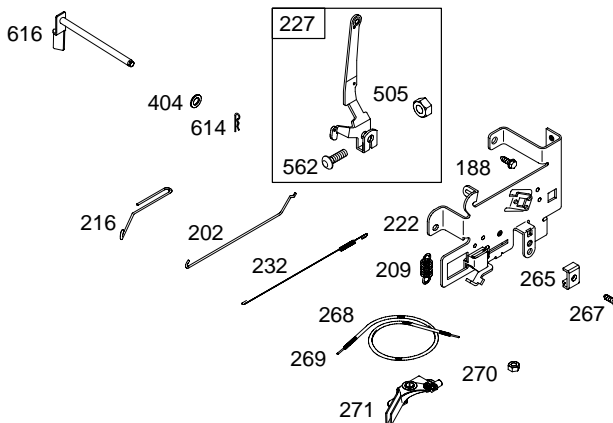
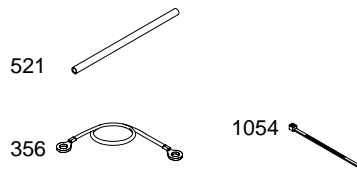
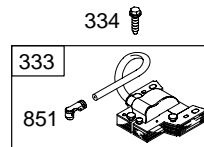
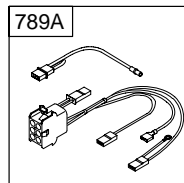
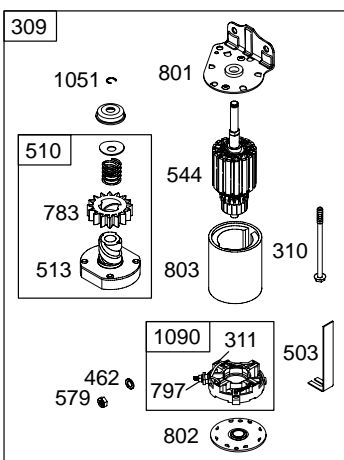
1036 EMISSION LABEL





NOTE: All stators use a No. 1119 mounting screw.

NOTE: The proper flywheel part number and/or the alternator magnet size will determine the alternator type or output. See repair instruction manual for additional information.



Illustrations cover a range of engines. Parts shown without corresponding text may not be used on your specific engine.
 5765-7 Assemblies include all parts shown in frames. 11/16/2004

31N700

REF. NO.	PART NO.	DESCRIPTION	REF. NO.	PART NO.	DESCRIPTION	REF. NO.	PART NO.	DESCRIPTION
1	697174	Cylinder Assembly	27	698469	Lock-Piston Pin	108	690464	Valve-Choke (697204)
2	399265	Kit-Bushing/Seal (Magneto Side)	28	697099	Pin-Piston (Standard)	108A	697344	Valve-Choke (697202, 697203)
3	★391086	Seal-Oil (Magneto Side)	29	697126	Rod-Connecting (Standard)	108B	695419	Valve-Choke
4	697106	Sump-Engine	———— Note ————			117	●694352	Jet-Main (Standard)
5	698148	Head-Cylinder		697263	Rod-Connecting (.020" Undersize)	117A	●699457	Jet-Main (Standard)
7	★△699168	Gasket-Cylinder Head	32	692852	Screw (Connecting Rod)	118	697228	Jet-Main (High Altitude)
9	★697109	Gasket-Breather	33	695760	Valve-Exhaust	118A	699458	Jet-Main (High Altitude)
10	697157	Screw (Breather Assembly)	34	695761	Valve-Intake	121	697241	Kit-Carburetor Overhaul (Walbro)
11	697113	Tube-Breather	35	691279	Spring-Valve (Intake)	121A	699521	Kit-Carburetor Overhaul (Nikki)
12	★697110	Gasket-Crankcase (.015" Thick)(Standard)	36	691279	Spring-Valve (Exhaust)	125	698445	Carburetor (Gravity Feed) (Use to replace pump and gravity feed carburetors)
13	690360	Screw (Cylinder Head)	37	697352	Guard-Flywheel	127	●695005	Plug-Welch
15	690946	Plug-Oil Drain (Square Head)	42	499586	Keeper-Valve	127A	●690727	Plug-Welch
16	697127	Crankshaft	43	691968	Slinger-Governor/Oil	130	691750	Valve-Throttle
20	★690947	Seal-Oil (PTO Side)	45	690564	Tappet-Valve	130A	699500	Valve-Throttle
22	692125	Screw (Crankcase Cover/Sump)	46	698492	Camshaft	131	494379	Kit-Throttle Shaft
23	693557	Flywheel Used on Type No(s). 0233, 0430.	50	690193	Manifold-Intake	131A	699501	Kit-Throttle Shaft
		———— Note ————	51★△●◆692137	Gasket-Intake	133	494381	Float-Carburetor	
		693556 Flywheel Used on Type No(s). 0026.	53	690227	Stud (Carburetor)	133A	694914	Float-Carburetor
24	222698	Key-Flywheel	54	691148	Screw (Intake Manifold)	135	698780	Tube-Fuel Transfer
25	699052	Piston Assembly (Standard)	73	697133	Screen-Rotating	137	●◆281165	Gasket-Float Bowl
		———— Note ————	74	697897	Screw (Rotating Screen)	137A	●698781	Gasket-Float Bowl
		699053 Piston Assembly (.010" Oversize)	78	691003	Screw (Flywheel Guard)	141	495097	Kit-Choke Shaft (697204)
		699054 Piston Assembly (.020" Oversize)	93	●690602	Bushing-Throttle Shaft	141A	495931	Kit-Choke Shaft (697202, 697203)
		699055 Piston Assembly (.030" Oversize)	94	498030	Kit-Idle Mixture	141B	698778	Kit-Choke Shaft
26	699051	Ring Set (Standard)	94A	695425	Kit-Idle Mixture	142	●697140	Nozzle-Carburetor (Standard)
		———— Note ————	95	●691636	Screw (Throttle Valve)	146	691639	Key-Timing
		697558 Ring Set (.010" Oversize)	95A	●690718	Screw (Throttle Valve)	186A	698174	Connector-Hose (Straight)
		697559 Ring Set (.020" Oversize)	98	495800	Kit-Idle Speed	187B	698417	Line-Fuel (Formed)(10-1/4 Inches Long)(Cut to Required Length)
		697560 Ring Set (.030" Oversize)	98A	695408	Kit-Idle Speed	188	691693	Screw (Control Bracket)
			104	●690525	Pin-Float Hinge			
			104A	●694918	Pin-Float Hinge			
			105	●231855	Valve-Float Needle			
			105A	●696136	Valve-Float Needle			
			106	●690577	Seat-Inlet (Gravity Feed) (697203, 697204)			
					———— Note ————			
					●691780 Seat-Inlet (Pump Feed) (697202)			

★ Included in Engine Gasket Set-Ref. No.358.

● Included in Carburetor Overhaul Kit-Ref. No. 121.or 121A.

◆ Included in Carburetor Gasket Set-Ref. No. 977.

△ Included in Valve Gasket Set-Ref. No 1095.

Illustrations cover a range of engines. Parts shown without corresponding text may not be used on your specific engine.

31N700

REF. NO.	PART NO.	DESCRIPTION	REF. NO.	PART NO.	DESCRIPTION	REF. NO.	PART NO.	DESCRIPTION
192	691986	Adjuster-Rocker Arm	305	697102	Screw (Blower Housing)	503	691532	Strap-Starter
202	691841	Link-Mechanical Governor	305A	697103	Screw (Blower Housing)	505	691251	Nut (Governor Control Lever)
209	692208	Spring-Governor	306	697107	Shield-Cylinder	510	693699	Drive-Starter
216	691840	Link-Choke Used on Type No(s). 0026, 0233.	307	691003	Screw (Cylinder Shield)	513	692024	Clutch-Drive
222	694042	Bracket-Control	309	693551	Motor-Starter	521	690581	Shield-Cable
227	691374	Lever-Governor Control	310	690323	Screw (Starter Motor)	523	699908	Dipstick
232	691842	Spring-Governor Link	311	497608	Brush Set	524	★691032	Seal-Dipstick Tube
238	691843	Cap-Valve	333	492341	Armature-Magneto	525	697184	Tube-Dipstick Used on Type No(s). 0233.
240	394358	Filter-Fuel (White, 75 Microns) Used on Type No(s). 0233, 0430.	334	691061	Screw (Magneto Armature)	Note _____		
240A	691035	Filter-Fuel (Includes Paper Element With A 40 Micron Rating) Used on Type No(s). 0026.	337	491055	Plug-Spark	697085	Tube-Dipstick Used on Type No(s). 0026.	
265	691024	Clamp-Casing	356	697089	Wire-Stop Used on Type No(s). 0026.	526	697088	Screw (Regulator) Used on Type No(s). 0026.
267	695134	Screw (Casing Clamp) Used on Type No(s). 0233.	358	697191	Gasket Set-Engine	544	692034	Armature-Starter
		_____ Note _____	363	19203	Puller-Flywheel	552	697144	Bushing-Governor Crank
		690804 Screw (Casing Clamp) Used on Type No(s). 0026.	383	89838	Wrench-Spark Plug	562	691119	Bolt (Governor Control Lever)
268	691025	Casing-Control Wire (Cut To Required Length)	385	694476	Screw (Fuel Pump) Used on Type No(s). 0026.	579	691029	Nut (Starter Cable)
269	691026	Wire-Control (Cut To Required Length)	385A	690297	Screw (Fuel Pump) Used on Type No(s). 0026.	584	697112	Cover-Breather Passage
270	691027	Nut (Control Wire Casing)	387	697090	Pump-Fuel Used on Type No(s). 0026.	601	95162	Clamp-Hose
271	691028	Lever-Control	387A	808656	Pump-Fuel Used on Type No(s). 0026.	614	691620	Pin-Cotter
276	◆692255	Washer-Sealing	404	691691	Washer (Governor Crank)	616	692012	Crank-Governor
276A	695410	Washer-Sealing	431	697122	Elbow-Intake	617	★692138	Seal-O Ring (Intake Manifold)
304	699828	Housing-Blower (Red)	445	698083	Filter-Air Cleaner Cartridge (Non Washable)	634	◆690801	Spring/Seal Assembly (697204)
			462	691261	Washer (Starter Cable)	634A	690802	Spring/Seal Assembly (697202, 697203)
			474A	696459	Alternator (Dual Circuit) Used on Type No(s). 0233, 0430.	634B	◆698779	Spring/Seal Assembly
			474B	696457	Alternator (Tri Circuit) Used on Type No(s). 0026.	635	691909	Boot-Spark Plug
			501	691188	Regulator Used on Type No(s). 0026.	643	698401	Retainer-Air Filter
						654	690958	Nut (Carburetor)
						691	★692407	Seal-Governor Shaft
						692	690572	Spring-Detent
						697	690372	Screw (Drive Cap)
						718	690959	Pin-Locating
						729A	691224	Clip-Wire
						729B	694123	Clip-Wire Used on Type No(s). 0026.

★ Included in Engine Gasket Set-Ref. No.358.

● Included in Carburetor Overhaul Kit-Ref. No. 121 or 121A.

◆ Included in Carburetor Gasket Set-Ref. No. 977.

△ Included in Valve Gasket Set-Ref. No 1095.

Illustrations cover a range of engines. Parts shown without corresponding text may not be used on your specific engine.
5765-9 Assemblies include all parts shown in frames. 11/16/2004

31N700

REF. NO.	PART NO.	DESCRIPTION	REF. NO.	PART NO.	DESCRIPTION	REF. NO.	PART NO.	DESCRIPTION
741	697128	Gear—Timing	914	691108	Screw (Rocker Cover)	1040	698368	Plate—Trim
757	697607	Link—Counterweight				1044	698139	Screw (Flywheel)
758	697134	Counterweight	918	697091	Hose—Vacuum Used on Type No(s). 0026.	1051	691265	Ring—Retaining
759	697392	Pin—Counterweight				1054	280275	Tie—Cable
783	693713	Gear—Pinion	947	694393	Solenoid—Fuel	1058	275935	Manual—Owner's
789A	698329	Harness—Wiring	947A	695423	Solenoid—Fuel	1059	698516	Kit—Screw/Washer
797	693167	Nut (Brush Retainer)	950	691657	Screw—Float Bowl	1070	690372	Screw (Flywheel Fan)
801	691283	Cap—Drive	967	697015	Filter—Pre Cleaner	1090	691293	Retainer—Brush
802	691286	Cap—End	968	699986	Cover—Air Cleaner (Black)	1091	691333	Cap—Limiter
803	693757	Housing—Starter			Note _____	1095	690190	Gasket Set—Valve
830	691095	Stud—Rocker Arm			699848	1119	691183	Screw (Alternator)
842	★691031	Seal—O Ring (Dipstick Tube)			Cleaner (Red)	1127	695407	Screw (Float Bowl)
847	790442	Dipstick/Tube Assembly Used on Type No(s). 0233, 0430.	975	495933	Bowl—Float	1263	697124	Reed—Breather
		Note _____	975A	699502	Bowl—Float	1264	697104	Screw (Breather Reed)
		790443	977	690192	Gasket Set—Carburetor	1266	★691917	Seal—O Ring (Intake Elbow)
		Dipstick/Tube Assembly Used on Type No(s). 0026.	987	●691326	Seal—Throttle Shaft	1266A	●697123	Seal—O Ring (Intake Elbow)
			987A	●698777	Seal—Throttle Shaft	1267	697419	Latch—Blower Housing (Black)
851	692424	Terminal—Spark Plug	1005	699043	Fan—Flywheel			Note _____
868	★△690968	Seal—Valve	1019	699459	Kit—Label			697424
877	393456	Wire/Connector— Alternator (Dual Circuit) Used on Type No(s). 0233, 0430.	1022	★△272475	Gasket—Rocker Cover			Latch—Blower Housing (Red)
			1023	692492	Cover—Rocker			697156
			1026	692003	Rod—Push (Intake)			Plug—AVS Counterweight
					Note _____			Repair Manual
					692011			
					Rod—Push (Exhaust)			
877B	393537	Wire/Connector— Alternator (Tri Circuit) Used on Type No(s). 0026.	1029	691751	Arm—Rocker	1270	697156	Plug—AVS Counterweight
			1034	690822	Guide—Push Rod			
			1036	790464	Label—Emissions (Used After Code Date 04063000).	1330	272147	Repair Manual
					Note _____			
878	691237	Harness—Alternator (/Dual Circuit) Used on Type No(s). 0233, 0430.			695700			
					Label— Emissions (Used Before Code Date 04070100).			
878A	691955	Harness—Alternator (Tri Circuit) Used on Type No(s). 0026.						

★ Included in Engine Gasket Set—Ref. No.358.

● Included in Carburetor Overhaul Kit—Ref. No. 121.or 121A.

◆ Included in Carburetor Gasket Set—Ref. No. 977.

△ Included in Valve Gasket Set—Ref. No 1095.

Illustrations cover a range of engines. Parts shown without corresponding text may not be used on your specific engine.