

31P700

Illustrated Parts List Model Series 31P700

TYPE NUMBERS
0115 Through 0378.

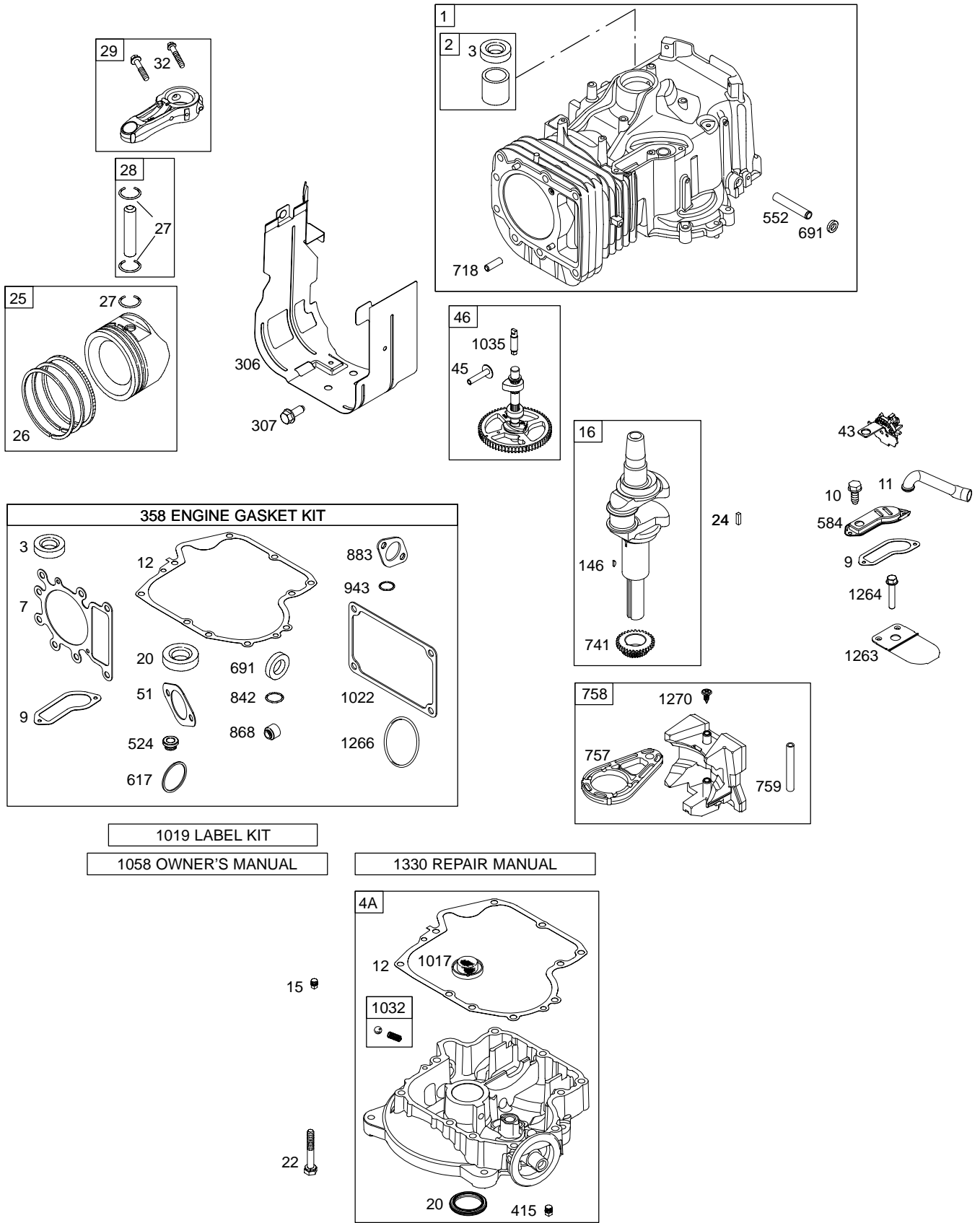
TABLE OF CONTENTS

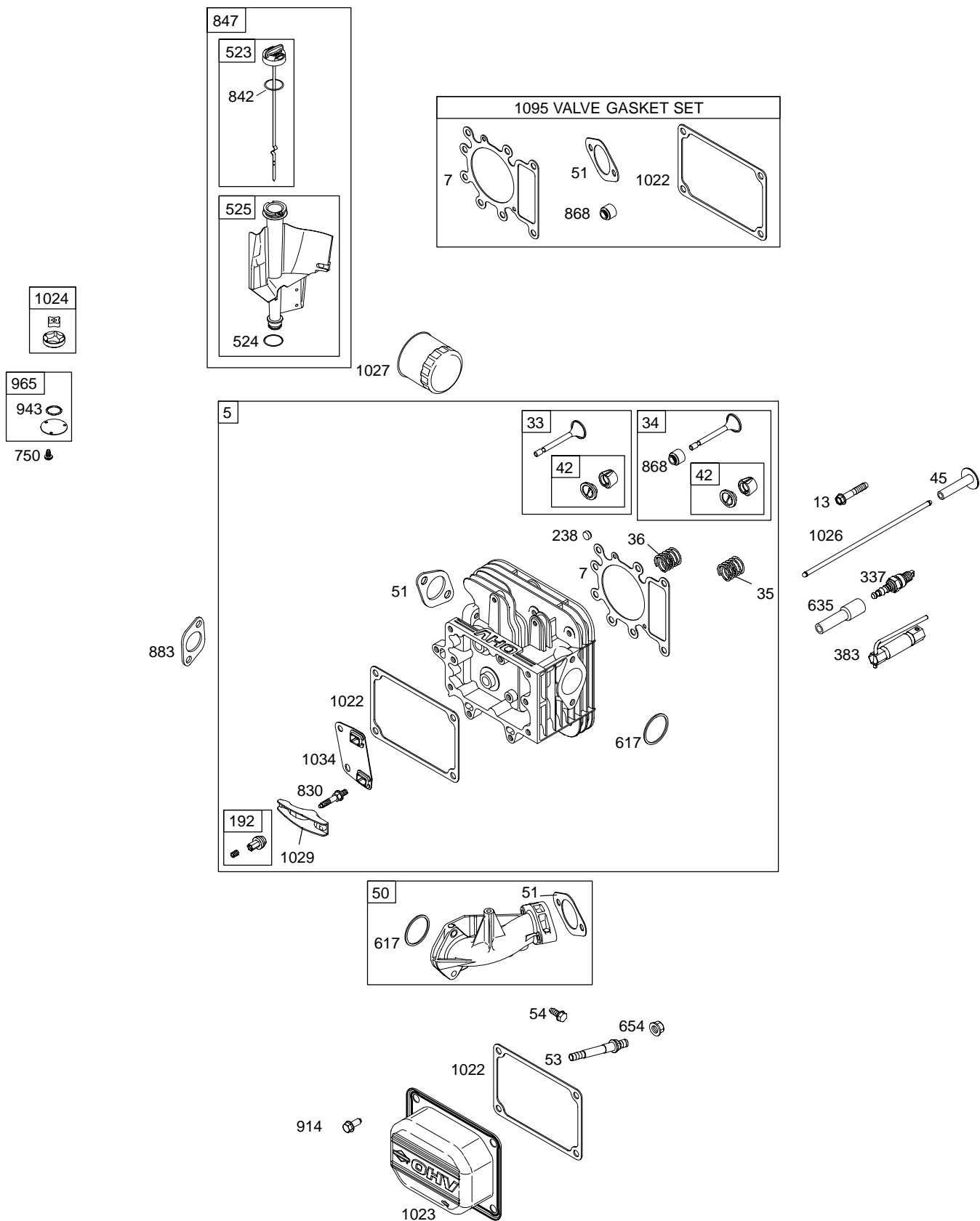
Air Cleaner	5
Alternator	7
Blower Housing	5
Camshaft	2
Carburetor	4
Controls	7
Crankshaft	2
Cylinder	2
Cylinder Head	3
Electric Starter	7
Engine Sump	2
Exhaust System	5
Flywheel	6
Fuel Supply	4
Gasket Set-Engine	2
Gasket Set-Valve	3
Governor Spring	7
Ignition	7
Intake Manifold	3
Kit-Carburetor Overhaul	4
Lubrication	3
Piston, Rings, and Connecting Rod ...	2
Valves	3

PRINTED IN U.S.A.



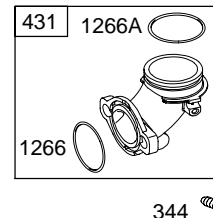
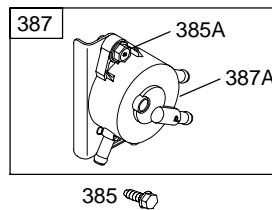
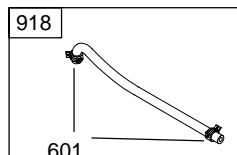
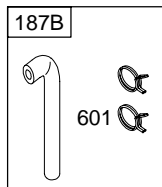
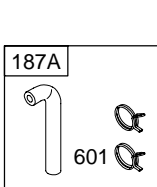
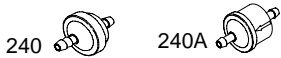
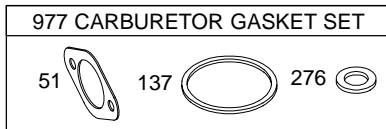
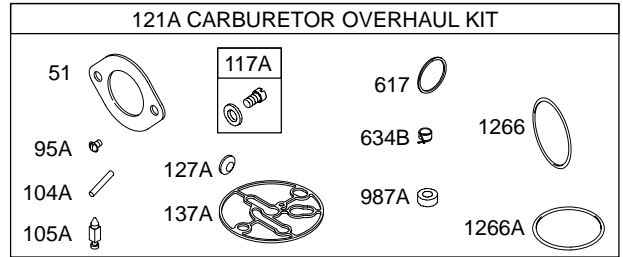
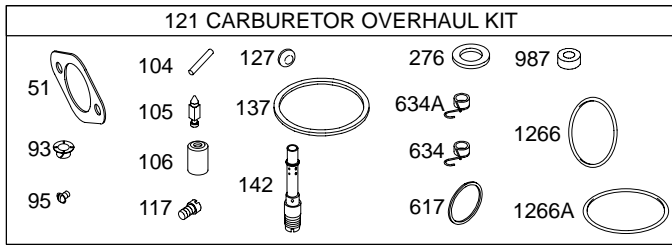
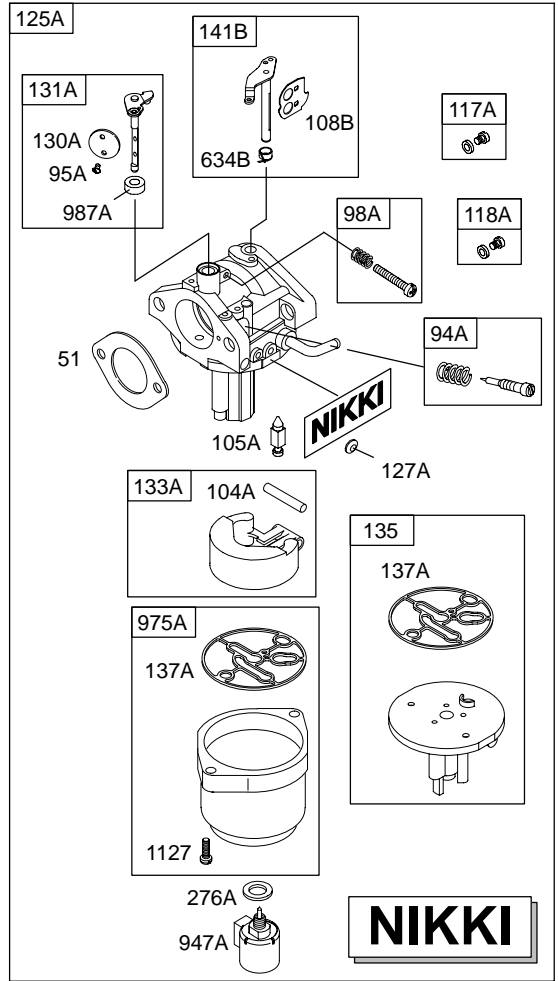
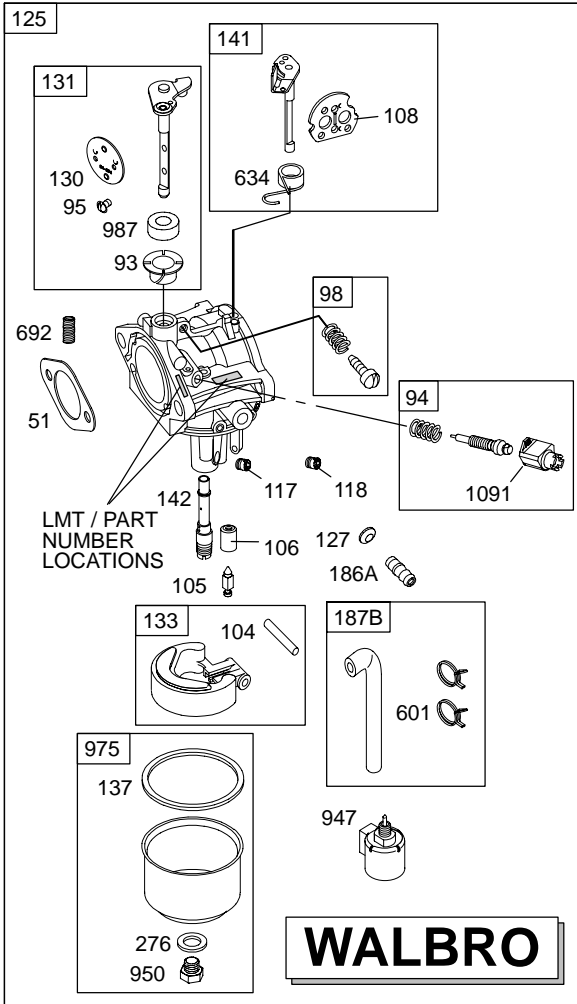
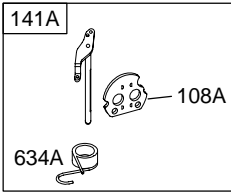
COPYRIGHT by BRIGGS & STRATTON CORPORATION
All rights reserved. No part of this material may be reproduced or transmitted,
in any form or by any means, electronic or mechanical, including photocopying,
recording or by any information storage and retrieval system, without permission
in writing from Briggs & Stratton Corporation.



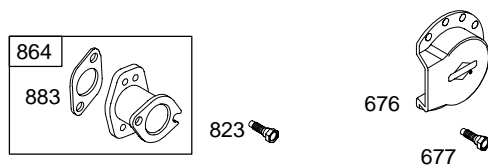
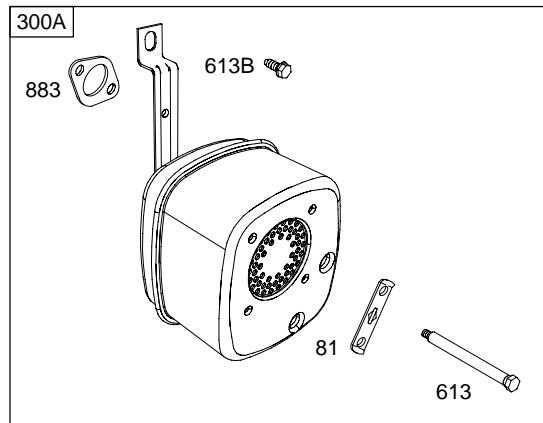
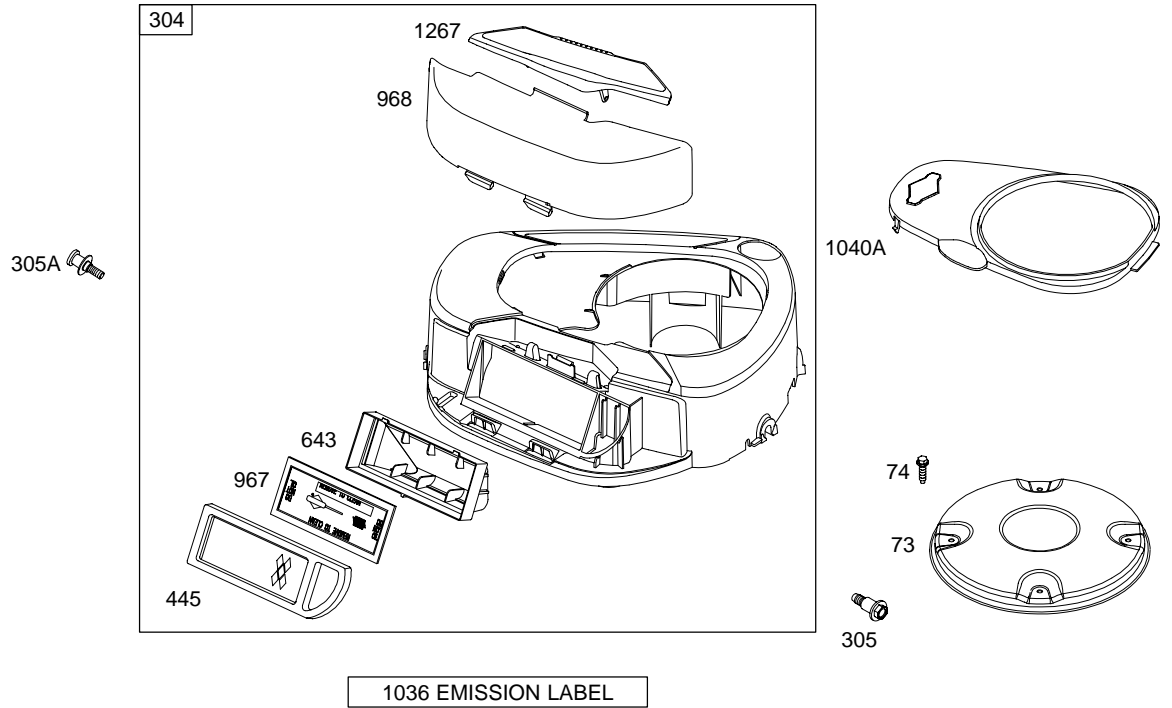


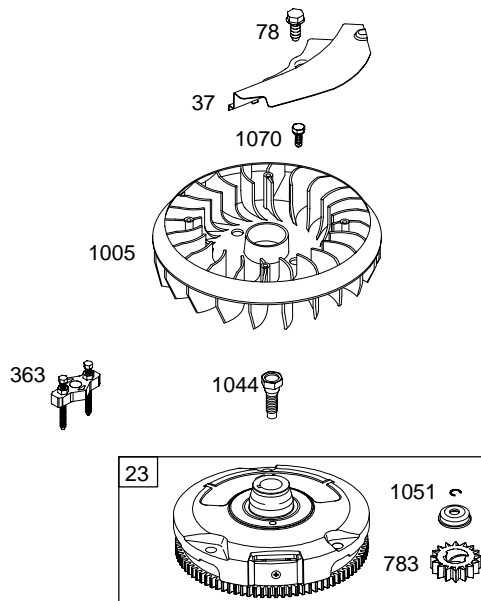
Illustrations cover a range of engines. Parts shown without corresponding text may not be used on your specific engine.
 5766-3 Assemblies include all parts shown in frames. 08/10/2004

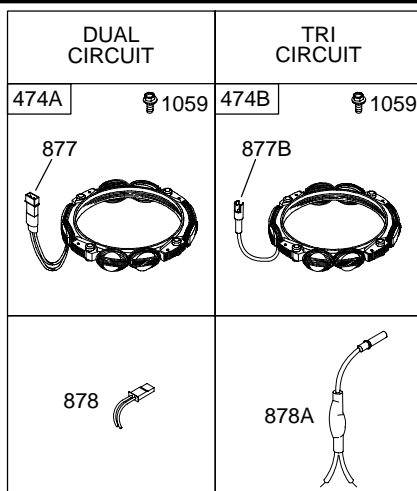
31P700



Illustrations cover a range of engines. Parts shown without corresponding text may not be used on your specific engine.

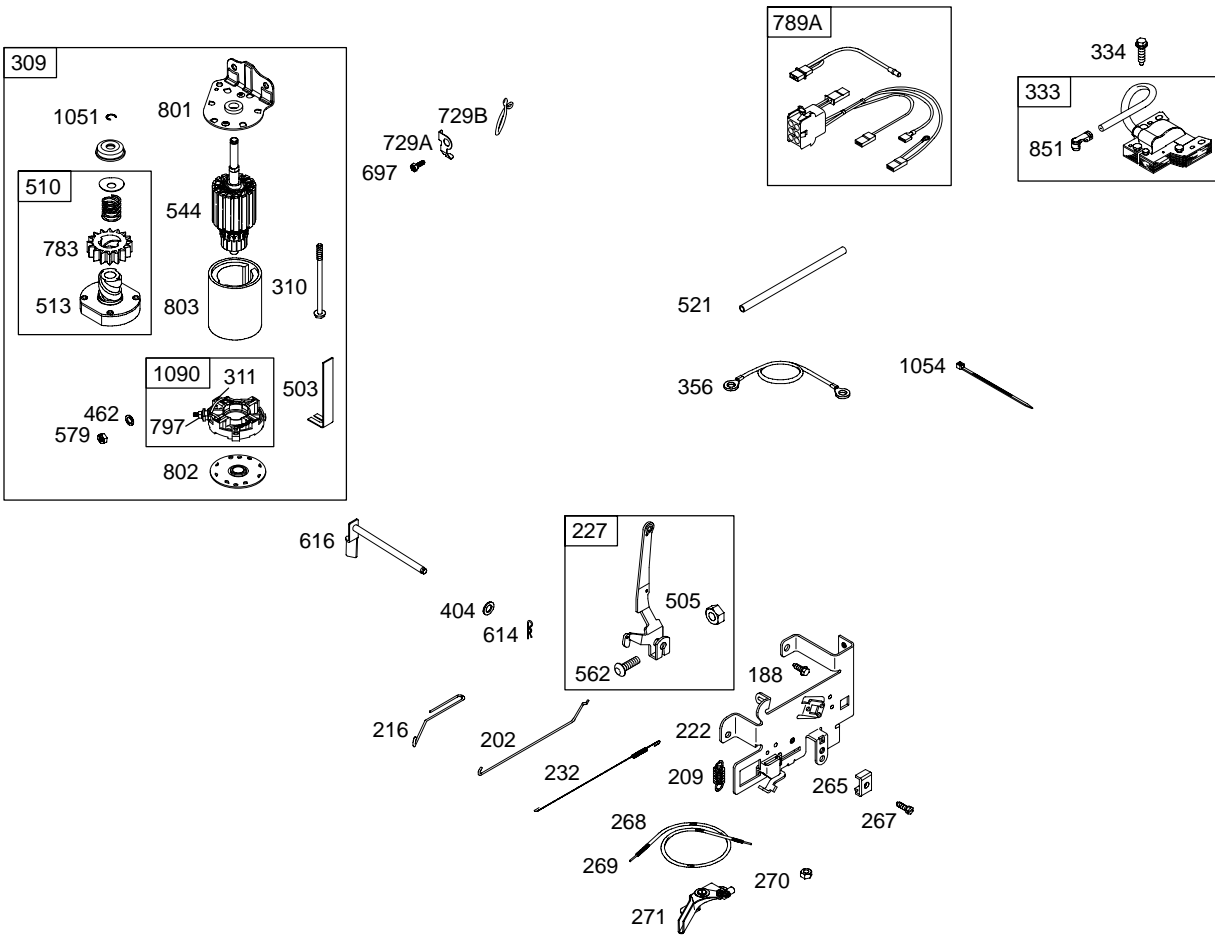






NOTE: All stators use a No. 1119 mounting screw.

NOTE: The proper flywheel part number and/or the alternator magnet size will determine the alternator type or output. See repair instruction manual for additional information.



31P700

REF. NO.	PART NO.	DESCRIPTION	REF. NO.	PART NO.	DESCRIPTION	REF. NO.	PART NO.	DESCRIPTION		
1	697174	Cylinder Assembly	24	222698	Key-Flywheel	81	691178	Lock-Muffler Screw		
2	399265	Kit-Bushing/Seal (Magneto Side)	25	699052	Piston Assembly (Standard)	93	●690602	Bushing-Throttle Shaft		
3	★391086	Seal-Oil (Magneto Side)			———— Note ————	94	498030	Kit-Idle Mixture		
4A	697188	Sump-Engine			699053 Piston Assembly (.010" Oversize)	94A	695425	Kit-Idle Mixture		
5	698148	Head-Cylinder			699054 Piston Assembly (.020" Oversize)	95	●691636	Screw (Throttle Valve)		
7	★△699168	Gasket-Cylinder Head			699055 Piston Assembly (.030" Oversize)	95A	●690718	Screw (Throttle Valve)		
9	★697109	Gasket-Breather				98	495800	Kit-Idle Speed		
10	697157	Screw (Breather Assembly)				98A	695408	Kit-Idle Speed		
11	697113	Tube-Breather				104	●690525	Pin-Float Hinge		
12	★697110	Gasket-Crankcase (.015" Thick)(Standard)	26	699051	Ring Set (Standard)	104A	●694918	Pin-Float Hinge		
13	690360	Screw (Cylinder Head)			———— Note ————	105	●231855	Valve-Float Needle		
15	691680	Plug-Oil Drain (Flush) Used on Type No(s). 0115, 0293.			697558 Ring Set (.010" Oversize)	105A	●696136	Valve-Float Needle		
		———— Note ————			697559 Ring Set (.020" Oversize)	106	●690577	Seat-Inlet (Gravity Feed)		
		690946 Plug-Oil Drain (Square Head) Used on Type No(s). 0116, 0296, 0299, 0348, 0366, 0367, 0371, 0378.	27	698469	Lock-Piston Pin			———— Note ————		
		———— Note ————	28	697099	Pin-Piston (Standard)			●691780 Seat-Inlet (Pump Feed)		
		697516 Crankshaft Used on Type No(s). 0115, 0116, 0293, 0296, 0299, 0348, 0366, 0371, 0378.	29	697126	Rod-Connecting (Standard)			108	690464	Valve-Choke (697204, 697205)
16	697127	Crankshaft Used on Type No(s). 0115, 0116, 0293, 0296, 0299, 0348, 0366, 0371, 0378.			———— Note ————	108A	692344	Valve-Choke (697202, 697203)		
		———— Note ————	32	692852	Screw (Connecting Rod)	108B	695419	Valve-Choke		
		697516 Crankshaft Used on Type No(s). 0367.	33	695760	Valve-Exhaust	117	●694352	Jet-Main (Standard)		
20	★690947	Seal-Oil (PTO Side)	34	695761	Valve-Intake	117A	●699457	Jet-Main (Standard)		
22	692125	Screw (Crankcase Cover/Sump)	35	691279	Spring-Valve (Intake)	118	697228	Jet-Main (High Altitude)		
23	693557	Flywheel Used on Type No(s). 0293, 0296, 0299, 0378.	36	691279	Spring-Valve (Exhaust)	118A	699458	Jet-Main (High Altitude)		
		———— Note ————	37	697352	Guard-Flywheel	121	697241	Kit-Carburetor Overhaul (Walbro Carburetor)		
		693556 Flywheel Used on Type No(s). 0115, 0116, 0348, 0366, 0371, 0379.	42	499586	Keeper-Valve	121A	699521	Kit-Carburetor Overhaul (Nikki Carburetor)		
			43	691968	Slinger-Governor/Oil	125	698445	Carburetor (Gravity Feed) Used on Type No(s). 0116, 0293, 0371, 0378.		
			45	690564	Tappet-Valve			———— Note ————		
			46	698492	Camshaft			699937 Carburetor (Pump Feed) Used on Type No(s). 0115, 0296, 0348, 0366, 0367.		
			50	699028	Manifold-Intake	125A	790418	Carburetor (Nikki)(Gravity Feed) Used on Type No(s). 0299.		
			51★●△◆692137	Gasket-Intake				127	●695005	Plug-Welch (5/16" Diameter)
			53	690227	Stud (Carburetor)	127A	●690727	Plug-Welch		
			54	691148	Screw (Intake Manifold)					
			73	697133	Screen-Rotating					
			74	697897	Screw (Rotating Screen)					
			78	691003	Screw (Flywheel Guard)					

★ Included in Engine Gasket Set-Ref. No.358.

● Included in Carburetor Overhaul Kit-Ref. No. 121 or 121A.

◆ Included in Carburetor Gasket Set-Ref. No. 977.

△ Included in Valve Gasket Set-Ref. No 1095.

Illustrations cover a range of engines. Parts shown without corresponding text may not be used on your specific engine.

REF. NO.	PART NO.	DESCRIPTION	REF. NO.	PART NO.	DESCRIPTION	REF. NO.	PART NO.	DESCRIPTION
130	691750	Valve-Throttle	240A	691035	Filter-Fuel (Includes Paper Element With A 40 Micron Rating) Used on Type No(s). 0115, 0296, 0348, 0366, 0367.	337	491055	Plug-Spark Used on Type No(s). 0115, 0116, 0293, 0367.
130A	699500	Valve-Throttle	265	691024	Clamp-Casing			Note _____
131	494379	Kit-Throttle Shaft	267	695134	Screw (Casing Clamp)			691043 Plug-Spark Used on Type No(s). 0296, 0299, 0348, 0366, 0371, 0378.
131A	699501	Kit-Throttle Shaft	268	691025	Casing-Control Wire (Cut To Required Length)	344	693675	Screw (Cable Clamp)
133	494381	Float-Carburetor	269	691026	Wire-Control (Cut To Required Length)	356	697089	Wire-Stop
133A	694914	Float-Carburetor	270	691027	Nut (Control Wire Casing)	358	697191	Gasket Set-Engine
135	698780	Tube-Fuel Transfer	271	691028	Lever-Control	363	19203	Puller-Flywheel
137	♦281165	Gasket-Float Bowl	276	♦692255	Washer-Sealing	383	89838	Wrench-Spark Plug
137A	♦698781	Gasket-Float Bowl	276A	695410	Washer-Sealing	385	694476	Screw (Fuel Pump) Used on Type No(s). 0115, 0348, 0366, 0367.
141	495097	Kit-Choke Shaft (697204, 697205)	300A	698356	Muffler Used on Type No(s). 0116.	385A	690297	Screw (Fuel Pump) Used on Type No(s). 0115, 0348, 0366, 0367.
141A	495931	Kit-Choke Shaft (697202, 697203)	304	699828	Housing-Blower (Red) Used on Type No(s). 0293, 0296, 0299, 0348, 0366, 0371, 0378.	387	697090	Pump-Fuel Used on Type No(s). 0115, 0348, 0366, 0367.
141B	698778	Kit-Choke Shaft			Note _____	387A	808656	Pump-Fuel Used on Type No(s). 0115, 0348, 0366, 0367.
142	♦697140	Nozzle-Carburetor (Standard)	305	697102	Screw (Blower Housing)	404	691691	Washer (Governor Crank)
146	691639	Key-Timing	305A	697103	Screw (Blower Housing)	415	690283	Plug (Sump)
186	692317	Connector-Hose (90 Degree)	306	697107	Shield-Cylinder	431	697122	Elbow-Intake
186A	698174	Connector-Hose (Straight)	307	691003	Screw (Cylinder Shield)	445	698083	Filter-Air Cleaner Cartridge (Non Washable)
187A	697098	Line-Fuel (Formed)(3-1/2 Inches Long)(Cut To Required Length)	309	693551	Motor-Starter			Note _____
187B	698417	Line-Fuel (Formed)(10-1/4 Inches Long)(Cut to Required Length)	310	690323	Screw (Starter Motor)			697153 Filter-Air Cleaner Cartridge (Washable)
188	691693	Screw (Control Bracket)	311	497608	Brush Set	462	691261	Washer (Starter Cable)
192	691986	Adjuster-Rocker Arm	333	492341	Armature-Magneto			
202	691841	Link-Mechanical Governor	334	691061	Screw (Magneto Armature)			
209	692208	Spring-Governor Used on Type No(s). 0116, 0293, 0296, 0299, 0348, 0366, 0367, 0371, 0378.						
		Note _____						
	691798	Spring-Governor Used on Type No(s). 0115.						
216	691840	Link-Choke						
222	694042	Bracket-Control						
227	691374	Lever-Governor Control						
232	691842	Spring-Governor Link						
238	691843	Cap-Valve						
240	394358	Filter-Fuel (White, 75 Microns) Used on Type No(s). 0116, 0293, 0299, 0371, 0378.						

★ Included in Engine Gasket Set-Ref. No.358.

● Included in Carburetor Overhaul Kit-Ref. No. 121 or 121A.

◆ Included in Carburetor Gasket Set-Ref. No. 977.

△ Included in Valve Gasket Set-Ref. No 1095.

Illustrations cover a range of engines. Parts shown without corresponding text may not be used on your specific engine.

31P700

REF. NO.	PART NO.	DESCRIPTION	REF. NO.	PART NO.	DESCRIPTION	REF. NO.	PART NO.	DESCRIPTION
474A	696459	Alternator (Dual Circuit) Used on Type No(s). 0293, 0296, 0299.	634	●690801	Spring/Seal Assembly (697204, 697205)	847	790442	Dipstick/Tube Assembly Used on Type No(s). 0116, 0293, 0299, 0371, 0378.
474B	696457	Alternator (Tri Circuit) Used on Type No(s). 0115, 0116, 0348, 0366, 0367, 0371.	634A	●690802	Spring/Seal Assembly (697202, 697203)			Note
501	691188	Regulator Used on Type No(s). 0115, 0116, 0348, 0366, 0367, 0371.	634B	●698779	Spring/Seal Assembly			790443 Dipstick/Tube Assembly Used on Type No(s). 0115, 0296, 0348, 0366, 0367.
503	691532	Strap–Starter	635	691909	Boot–Spark Plug	851	692424	Terminal–Spark Plug
505	691251	Nut (Governor Control Lever)	643	698401	Retainer–Air Filter	864	697346	Adapter–Muffler Used on Type No(s). 0116.
510	693699	Drive–Starter	654	690958	Nut (Carburetor)	868	★△690968	Seal–Valve
513	692024	Clutch–Drive	676	393761	Deflector–Muffler Used on Type No(s). 0116.	877	393456	Wire/Connector– Alternator (Dual Circuit)
521	690581	Shield–Cable	677	690661	Screw (Muffler Deflector) Used on Type No(s). 0116.	877B	393537	Wire/Connector– Alternator (Tri Circuit)
523	699908	Dipstick	691	★692407	Seal–Governor Shaft	878	691237	Harness–Alternator (Dual Circuit)
524	★691032	Seal–Dipstick Tube	692	690572	Spring–Detent	878A	691955	Harness–Alternator (Tri Circuit)
525	697184	Tube–Dipstick Used on Type No(s). 0116, 0293, 0299, 0371, 0378.	697	690372	Screw (Drive Cap)	883	★692236	Gasket–Exhaust
		Note	718	690959	Pin–Locating	914	691108	Screw (Rocker Cover)
		697085 Tube–Dipstick Used on Type No(s). 0115, 0296, 0348, 0366, 0367.	729A	691224	Clip–Wire (Aluminum Coated Steel)	918	697091	Hose–Vacuum Used on Type No(s). 0115, 0348.
526	697088	Screw (Regulator)	729B	694123	Clip–Wire (Nylon)	943	★690589	Seal–O Ring (Oil Pump Cover)
544	692034	Armature–Starter	741	697128	Gear–Timing	947	694393	Solenoid–Fuel
552	697144	Bushing–Governor Crank	750	691033	Screw (Oil Pump Cover)	947A	695423	Solenoid–Fuel
562	691119	Bolt (Governor Control Lever)	757	697607	Link–Counterweight	950	691657	Screw–Float Bowl
579	691029	Nut (Starter Cable)	758	697134	Counterweight	965	499613	Cover–Oil Pump
584	697112	Cover–Breather Passage	759	697392	Pin–Counterweight	967	697015	Filter–Pre Cleaner
601	95162	Clamp–Hose	783	693713	Gear–Pinion	968	699848	Cover–Air Cleaner (Red) Used on Type No(s). 0293, 0296, 0299, 0348, 0366, 0371, 0378.
613	691416	Screw (Muffler)(Muffler)	789A	698329	Harness–Wiring			Note
613B	691678	Screw (Muffler)(Muffler)	797	693167	Nut (Brush Retainer)			699986 Cover–Air Cleaner (Black) Used on Type No(s). 0115, 0116, 0367.
614	691620	Pin–Cotter	801	691283	Cap–Drive			
616	692012	Crank–Governor	802	691286	Cap–End			
617	★●692138	Seal–O Ring (Intake Manifold)	803	693757	Housing–Starter			
			823	690363	Screw (Muffler Adapter) Used on Type No(s). 0116.			
			830	691095	Stud–Rocker Arm			
			842	★691031	Seal–O Ring (Dipstick Tube)			

★ Included in Engine Gasket Set–Ref. No.358.

● Included in Carburetor Overhaul Kit–Ref. No. 121 or 121A.

◆ Included in Carburetor Gasket Set–Ref. No. 977.

△ Included in Valve Gasket Set–Ref. No 1095.

Illustrations cover a range of engines. Parts shown without corresponding text may not be used on your specific engine.

31P700

REF. NO.	PART NO.	DESCRIPTION	REF. NO.	PART NO.	DESCRIPTION	REF. NO.	PART NO.	DESCRIPTION
975	495933	Bowl-Float	1029	691751	Arm-Rocker	1127	695407	Screw (Float Bowl)
975A	699502	Bowl-Float	1032	491710	Ball-Oil Pump	1263	697124	Reed-Breather
977	690192	Gasket Set-Carburetor	1034	690822	Guide-Push Rod	1264	697104	Screw (Breather Reed)
987	●691326	Seal-Throttle Shaft	1035	693784	Shaft-Pump	1266	★●691917	Seal-O Ring (Intake Elbow)
987A	●698777	Seal-Throttle Shaft	1036	790464	Label-Emissions (Used After Code Date 04063000).	1266A	●697123	Seal-O Ring (Intake Elbow)
1005	699043	Fan-Flywheel			Note	1267	697424	Latch-Blower Housing (Red) Used on Type No(s). 0293, 0296, 0299, 0348, 0366, 0371, 0378.
1017	690770	Screen-Oil Pump			695700 Label-Emissions (Used Before Code Date 04070100).			Note
1019	697143	Kit-Label	1040A	699852	Plate-Trim			697419 Latch-Blower Housing (Black) Used on Type No(s). 0115, 0116, 0367.
1022	★△272475	Gasket-Rocker Cover	1044	698139	Screw (Flywheel)	1270	697156	Plug-AVS Counterweight
1023	692492	Cover-Rocker	1051	691265	Ring-Retaining	1330	272147	Repair Manual
1024	499054	Pump-Oil	1054	280275	Tie-Cable			
1026	692003	Rod-Push (Intake)	1058	275935	Operator's Manual			
		Note	1059	698516	Kit-Screw/Washer			
		692011 Rod-Push (Exhaust)	1070	690372	Screw (Flywheel Fan)			
1027	492932	Filter-Oil Used on Type No(s). 0115, 0116, 0293, 0299, 0366, 0367.	1090	691293	Retainer-Brush			
		Note	1091	691333	Cap-Limiter			
		696854 Filter-Oil Used on Type No(s). 0296, 0348, 0371, 0378.	1095	690190	Gasket Set-Valve			
			1119	691183	Screw (Alternator)			

★ Included in Engine Gasket Set-Ref. No.358.

● Included in Carburetor Overhaul Kit-Ref. No. 121 or 121A.

◆ Included in Carburetor Gasket Set-Ref. No. 977.

△ Included in Valve Gasket Set-Ref. No 1095.

Illustrations cover a range of engines. Parts shown without corresponding text may not be used on your specific engine.