



31Q700

Illustrated Parts List

Model Series

31Q700

TYPE NUMBERS
0036 Through 0466.

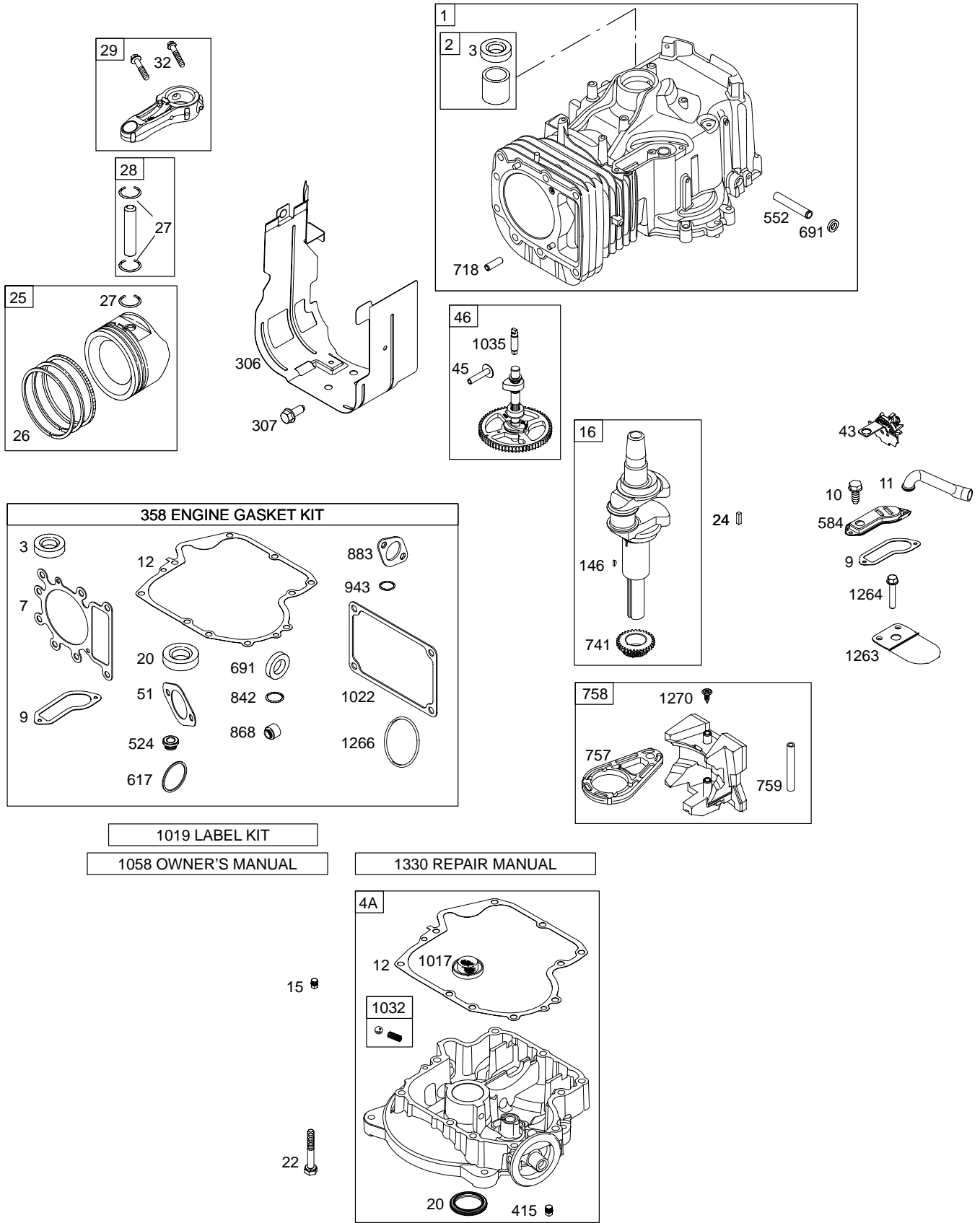
TABLE OF CONTENTS

Air Cleaner	5
Alternator	7
Blower Housing	5
Camshaft	2
Carburetor	4
Controls	7
Crankshaft	2
Cylinder	2
Cylinder Head	3
Electric Starter	7
Engine Sump	2
Exhaust System	5
Flywheel	6
Fuel Supply	4
Gasket Set – Engine	2
Gasket Set – Valve	3
Governor Spring	7
Ignition	7
Kit – Carburetor Overhaul	4
Lubrication	3
Piston, Rings, Connecting Rod	2
Valves	3

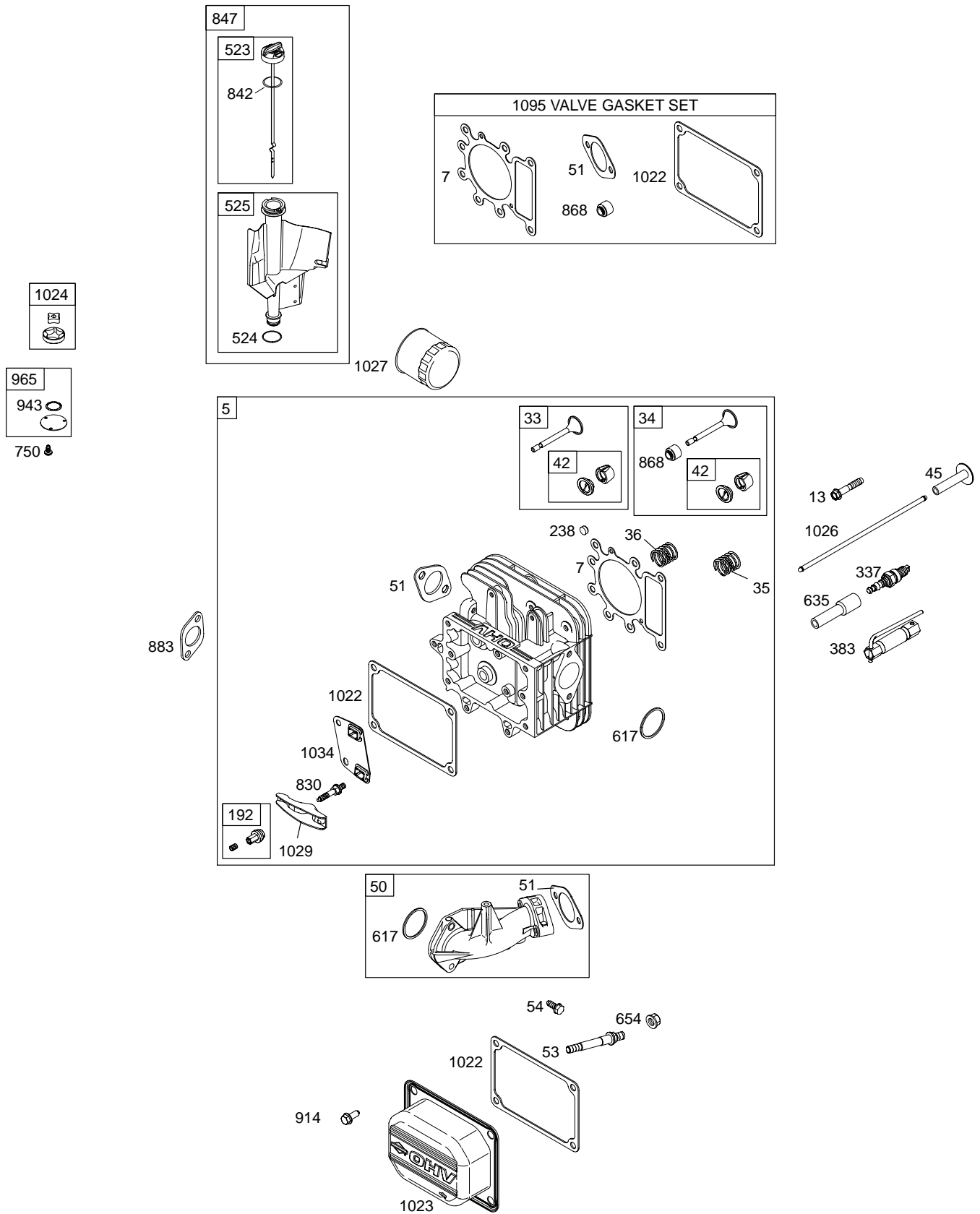


PRINTED IN U.S.A.

COPYRIGHT by BRIGGS & STRATTON CORPORATION
All rights reserved. No part of this material may be reproduced or transmitted, in any form or by any means, electronic or mechanical, including photocopying, recording or by any information storage and retrieval system, without permission in writing from Briggs & Stratton Corporation.

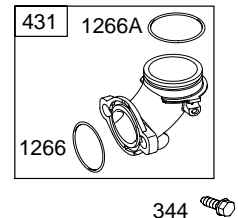
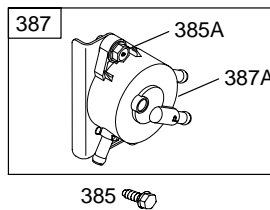
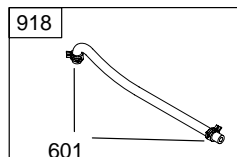
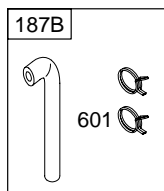
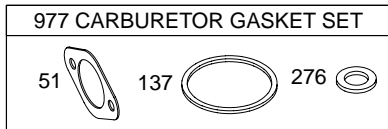
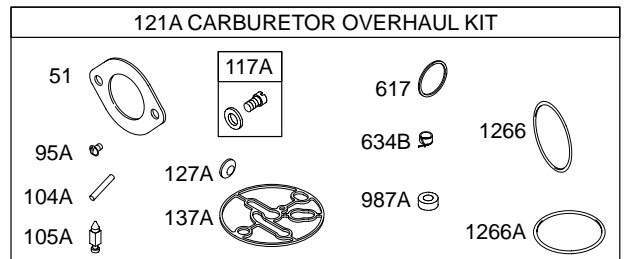
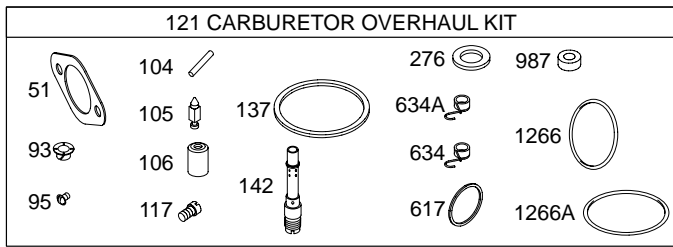
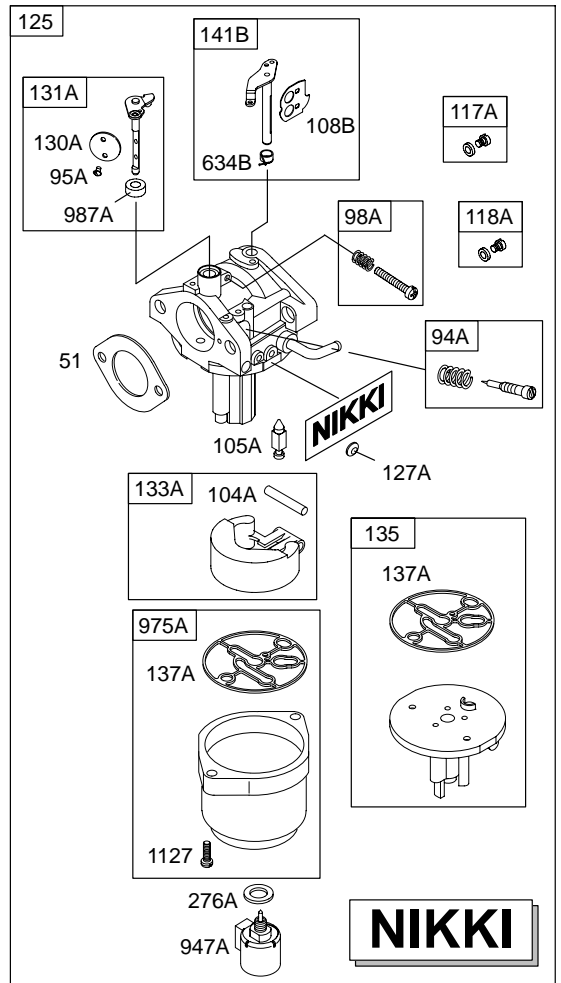
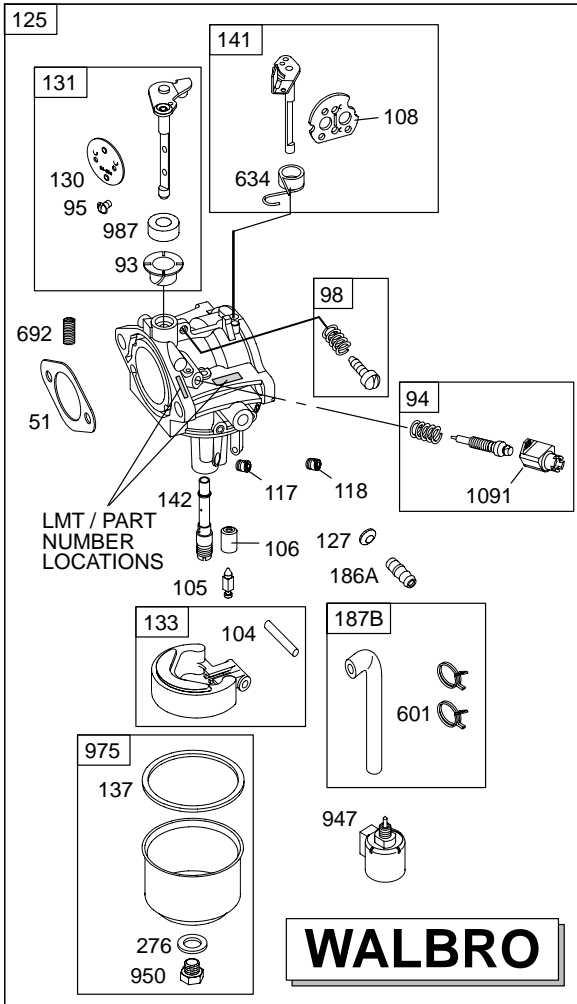
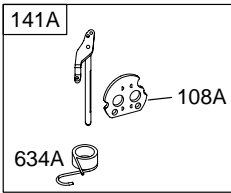


Illustrations cover a range of engines. Parts shown without corresponding text may not be used on your specific engine.
 5767-2 Assemblies include all parts shown in frames. 11/19/2004

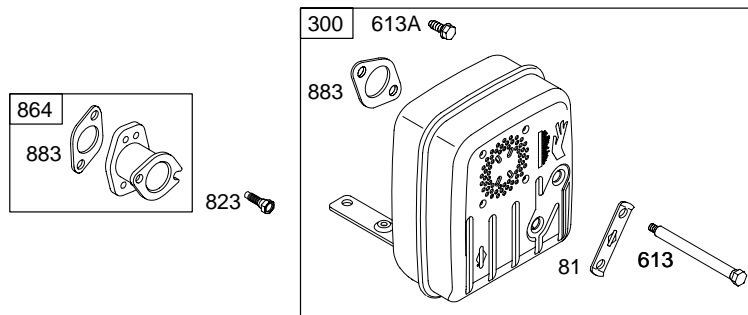
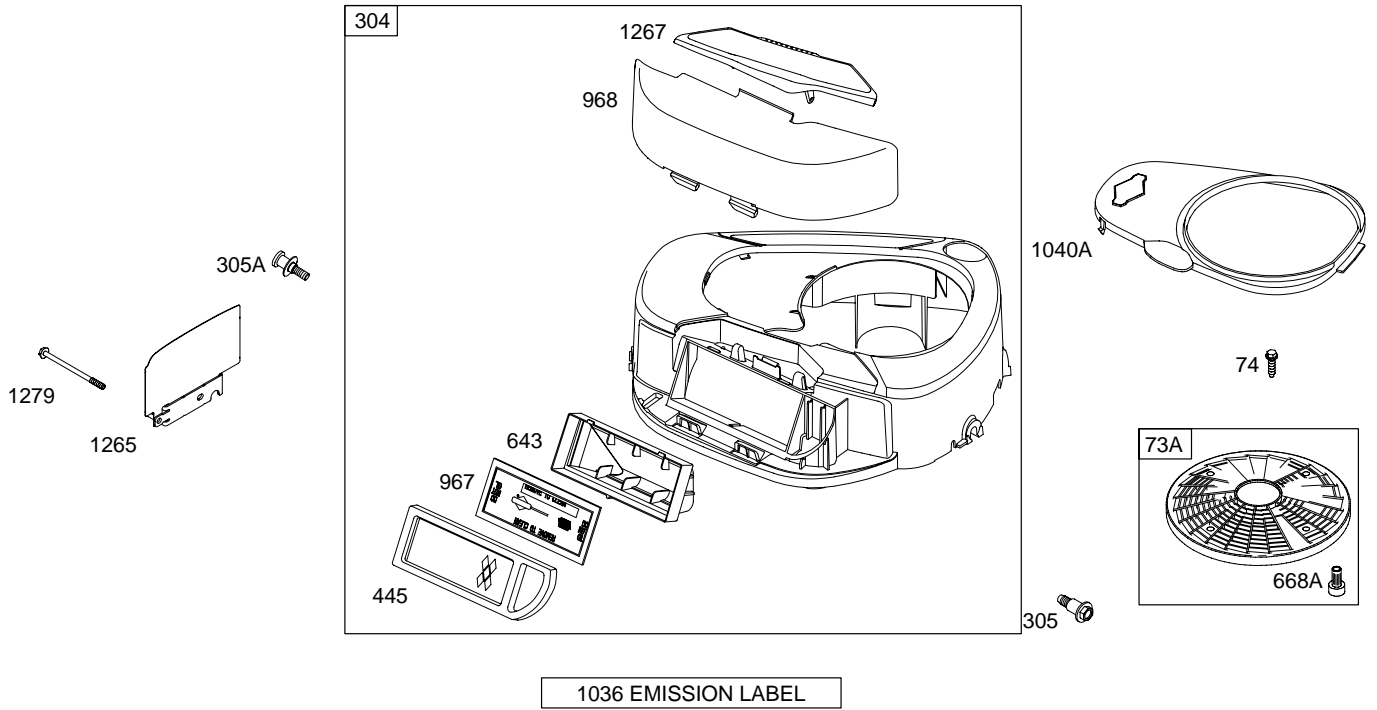


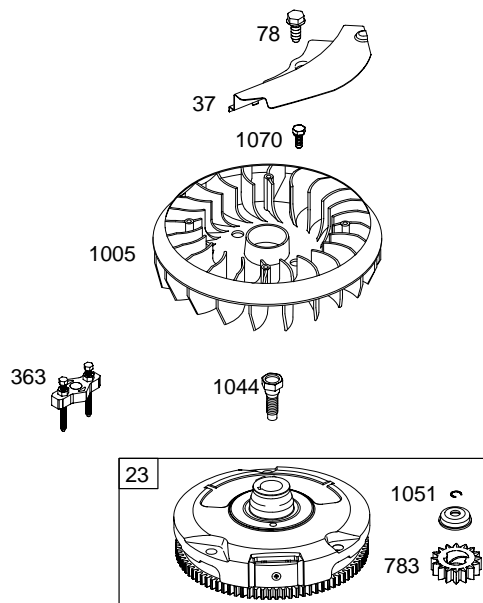
Illustrations cover a range of engines. Parts shown without corresponding text may not be used on your specific engine.
 5767-3 Assemblies include all parts shown in frames. 11/19/2004

31Q700



Illustrations cover a range of engines. Parts shown without corresponding text may not be used on your specific engine. 5767-4 Assemblies include all parts shown in frames. 11/19/2004



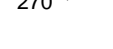
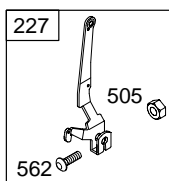
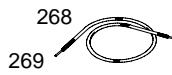
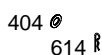
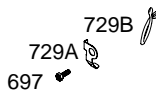
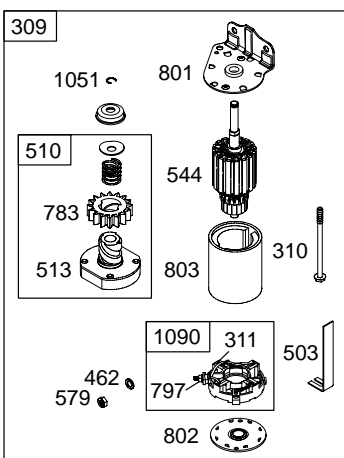
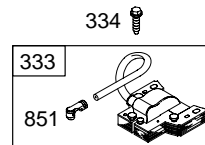
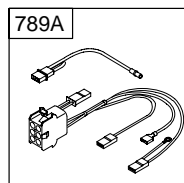
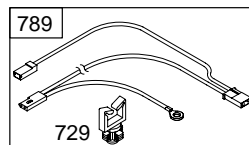


DUAL CIRCUIT		TRI CIRCUIT		10 AMP	
474A	1059	474B	1059	474C	1059



NOTE: All stators use a No. 1119 mounting screw.

NOTE: The proper flywheel part number and/or the alternator magnet size will determine the alternator type or output. See repair instruction manual for additional information.



Illustrations cover a range of engines. Parts shown without corresponding text may not be used on your specific engine.
 5767-7 Assemblies include all parts shown in frames. 11/19/2004

31Q700

REF. NO.	PART NO.	DESCRIPTION	REF. NO.	PART NO.	DESCRIPTION	REF. NO.	PART NO.	DESCRIPTION
1	697174	Cylinder Assembly	26	699051	Ring Set (Standard)	104	●690525	Pin-Float Hinge
2	399265	Kit-Bushing/Seal (Magneto Side)			Note	104A	●694918	Pin-Float Hinge
3	★391086	Seal-Oil (Magneto Side)			697558	●231855	Valve-Float Needle	
4A	697188	Sump-Engine			697559	●696136	Valve-Float Needle	
5	698404	Head-Cylinder			697560	●690577	Seat-Inlet (Gravity Feed)	
7	★△699168	Gasket-Cylinder Head					Note	
9	★697109	Gasket-Breather					●691780	Seat-Inlet (Pump Feed)
10	697157	Screw (Breather Assembly)	27	698469	Lock-Piston Pin	108	690464	Valve-Choke (697204)
11	697113	Tube-Breather	28	697099	Pin-Piston	108A	692344	Valve-Choke (697202, 697203)
12	★697110	Gasket-Crankcase	29	697518	Rod-Connecting (Standard)			Note
13	690360	Screw (Cylinder Head)			697264	695419	Valve-Choke	
15	690946	Plug-Oil Drain (Square Head)			Rod-Connecting (.020" Undersize)	117	●694352	Jet-Main (Standard)
		Note	32	692852	Screw (Connecting Rod)	117A	●699457	Jet-Main (Standard)
		691680	33	698370	Valve-Exhaust	118	697228	Jet-Main (High Altitude)
16	697516	Crankshaft	34	695761	Valve-Intake	118A	699458	Jet-Main (High Altitude)
20	★690947	Seal-Oil (PTO Side)	35	691279	Spring-Valve (Intake)	121	697241	Kit-Carburetor Overhaul (Walbro)
22	692125	Screw (Crankcase Cover/Sump)	36	691279	Spring-Valve (Exhaust)	121A	699521	Kit-Carburetor Overhaul (Nikki)
23	693557	Flywheel Used on Type No(s). 0215, 0298.	37	697108	Guard-Flywheel	125	698445	Carburetor (Gravity Feed)(Use to replace pump and gravity feed carburetors)
		Note	42	499586	Keeper-Valve	127	695005	Plug-Welch
		693556	43	691968	Slinger-Governor/Oil	127A	●690727	Plug-Welch
		Used on Type No(s). 0036, 0110, 0305, 0466.	45	690564	Tappet-Valve	130	691750	Valve-Throttle
24	222698	Key-Flywheel	46	698492	Camshaft	130A	699500	Valve-Throttle
25	699052	Piston Assembly (Standard)	50	690193	Manifold-Intake			
		Note	51★△◆	692137	Gasket-Intake			
		699053	53	690227	Stud (Carburetor)			
		Assembly (.010" Oversize)	54	691148	Screw (Intake Manifold)			
		699054	73A	494439	Screen-Rotating			
		Assembly (.020" Oversize)	74	691674	Screw (Rotating Screen)			
		699055	78	691003	Screw (Flywheel Guard)			
		Assembly (.030" Oversize)	81	691178	Lock-Muffler Screw			
			93	●690602	Bushing-Throttle Shaft			
			94	498030	Kit-Idle Mixture			
			94A	695425	Kit-Idle Mixture			
			95	●691636	Screw (Throttle Valve)			
			95A	●690718	Screw (Throttle Valve)			
			98	495800	Kit-Idle Speed			
			98A	695408	Kit-Idle Speed			

★ Included in Engine Gasket Set-Ref. No.358.

● Included in Carburetor Overhaul Kit-Ref. No. 121 or 121A.

◆ Included in Carburetor Gasket Set-Ref. No. 977.

△ Included in Valve Gasket Set-Ref. No 1095.

Illustrations cover a range of engines. Parts shown without corresponding text may not be used on your specific engine.

5767-8

Assemblies include all parts shown in frames.

11/19/2004

REF. NO.	PART NO.	DESCRIPTION	REF. NO.	PART NO.	DESCRIPTION	REF. NO.	PART NO.	DESCRIPTION
131	494379	Kit—Throttle Shaft	268	691025	Casing—Control Wire (Cut To Required Length)	431	697122	Elbow—Intake
131A	699501	Kit—Throttle Shaft				445	697153	Filter—Air Cleaner Cartridge (Washable)
133	494381	Float—Carburetor	269	691026	Wire—Control (Cut To Required Length)	462	691261	Washer (Starter Cable)
133A	694914	Float—Carburetor	270	691027	Nut (Control Wire Casing)	474A	696459	Alternator (Dual Circuit) Used on Type No(s). 0215, 0298.
135	698780	Tube—Fuel Transfer	271	691028	Lever—Control	474B	696457	Alternator (Tri Circuit) Used on Type No(s). 0036, 0466.
137	♦♦281165	Gasket—Float Bowl	276	♦♦692255	Washer—Sealing	474C	696458	Alternator (10 Amp Circuit) Used on Type No(s). 0110, 0305.
137A	♦698781	Gasket—Float Bowl	276A	695410	Washer—Sealing	501	691185	Regulator Used on Type No(s). 0110, 0305.
141	495097	Kit—Choke Shaft (697204)	300	697349	Muffler Used on Type No(s). 0110.			———— Note ———— 691188 Regulator Used on Type No(s). 0036, 0466.
141A	495931	Kit—Choke Shaft (697202, 697203)	304	790009	Housing—Blower (Black)	503	691532	Strap—Starter
141B	698778	Kit—Choke Shaft	305	697102	Screw (Blower Housing)	505	691251	Nut (Governor Control Lever)
142	♦697140	Nozzle—Carburetor (Standard)	305A	697103	Screw (Blower Housing)	510	693699	Drive—Starter
146	691639	Key—Timing	306	697107	Shield—Cylinder	513	692024	Clutch—Drive
186A	698174	Connector—Hose (Straight)	307	691003	Screw (Cylinder Shield)	521	690581	Shield—Cable
187B	698417	Line—Fuel (Formed) (10—1/4 Inches Long)(Cut to Required Length)	309	693551	Motor—Starter	523	699908	Dipstick
188	691693	Screw (Control Bracket)	310	690323	Screw (Starter Motor)	524	★691032	Seal—Dipstick Tube
192	691986	Adjuster—Rocker Arm	311	497608	Brush Set	525	697085	Tube—Dipstick Used on Type No(s). 0036, 0110, 0298, 0305, 0466.
202	691841	Link—Mechanical Governor	333	492341	Armature—Magneto			———— Note ———— 697184 Tube—Dipstick Used on Type No(s). 0215.
209	692208	Spring—Governor	334	691061	Screw (Magneto Armature)	526	697348	Screw (Regulator) Used on Type No(s). 0110, 0305.
216	691840	Link—Choke	337	491055	Plug—Spark			———— Note ———— 697088 Screw (Regulator) Used on Type No(s). 0036, 0466.
222	694042	Bracket—Control	344	693675	Screw (Cable Clamp)			
227	691374	Lever—Governor Control	356	697089	Wire—Stop			
232	691842	Spring—Governor Link	358	697191	Gasket Set—Engine			
238	691843	Cap—Valve	363	19203	Puller—Flywheel			
240	394358	Filter—Fuel (White, 75 Microns) Used on Type No(s). 0215.	383	89838	Wrench—Spark Plug			
240B	695666	Filter—Fuel (Includes 30 Micron Paper Element) Used on Type No(s). 0036, 0110, 0298, 0305, 0466.	385	694476	Screw (Fuel Pump)			
265	691024	Clamp—Casing	385A	690297	Screw (Fuel Pump)			
267	690804	Screw (Casing Clamp) Used on Type No(s). 0036, 0110.	387	697090	Pump—Fuel Used on Type No(s). 0110, 0298, 0305.			
		———— Note ———— 695134 Screw (Casing Clamp) Used on Type No(s). 0298.	387A	808656	Pump—Fuel Used on Type No(s). 0110, 0298, 0305.			
			404	691691	Washer (Governor Crank)			
			415	690283	Plug (Engine Sump)			

★ Included in Engine Gasket Set—Ref. No.358.

● Included in Carburetor Overhaul Kit—Ref. No. 121 or 121A.

♦ Included in Carburetor Gasket Set—Ref. No. 977.

△ Included in Valve Gasket Set—Ref. No 1095.

Illustrations cover a range of engines. Parts shown without corresponding text may not be used on your specific engine.
5767-9 Assemblies include all parts shown in frames. 11/19/2004

31Q700

REF. NO.	PART NO.	DESCRIPTION	REF. NO.	PART NO.	DESCRIPTION	REF. NO.	PART NO.	DESCRIPTION
544	692034	Armature–Starter	757	697607	Link–Counterweight	883	★692236	Gasket–Exhaust
552	697144	Bushing–Governor Crank	758	697134	Counterweight	914	691108	Screw (Rocker Cover)
559	697561	Screw (Remote Choke Stop) Used on Type No(s). 0110, 0305.	759	697392	Pin–Counterweight	918	697091	Hose–Vacuum
562	691119	Bolt (Governor Control Lever)	783	693713	Gear–Pinion	943	★690589	Seal–O Ring (Oil Pump Cover)
578	692306	Wire Assembly	789	692037	Harness–Wiring Used on Type No(s). 0110.	947	694393	Solenoid–Fuel
579	691029	Nut (Starter Cable)	789A	698329	Harness–Wiring Used on Type No(s). 0036, 0215, 0298, 0305, 0466.	947A	695423	Solenoid–Fuel
584	697112	Cover–Breather Passage	797	693167	Nut (Brush Retainer)	950	691657	Screw–Float Bowl
601	95162	Clamp–Hose	801	691283	Cap–Drive	965	499613	Cover–Oil Pump
613	691416	Screw (Muffler)	802	691286	Cap–End	967	697015	Filter–Pre Cleaner
613A	690297	Screw (Muffler)	803	693757	Housing–Starter	968	790008	Cover–Air Cleaner (Black)
614	691620	Pin–Cotter	823	690363	Screw (Muffler Adapter)	975	495933	Bowl–Float
616	692012	Crank–Governor	830	691095	Stud–Rocker Arm	975A	699502	Bowl–Float
617	★692138	Seal–O Ring (Intake Manifold)	842	★691031	Seal–O Ring (Dipstick Tube)	977	690192	Gasket Set–Carburetor
634	●690801	Spring/Seal Assembly (697204)	847	790443	Dipstick/Tube Assembly Used on Type No(s). 0036, 0110, 0298, 0305, 0466.	987	●691326	Seal–Throttle Shaft
634A	●690802	Spring/Seal Assembly (697202, 697203)			Note	987A	●698777	Seal–Throttle Shaft
634B	●698779	Spring/Seal Assembly			790442 Dipstick/Tube Assembly	1005	697111	Fan–Flywheel
635	691909	Boot–Spark Plug			Used on Type No(s). 0215.	1017	690770	Screen–Oil Pump (Push In)
643	698401	Retainer–Air Filter	851	692424	Terminal–Spark Plug	1019	698414	Kit–Label
654	690958	Nut (Carburetor)	864	697346	Adapter–Muffler Used on Type No(s). 0110.	1022	★Δ272475	Gasket–Rocker Cover
668A	691500	Spacer (Rotating Screen)				1023	692492	Cover–Rocker
691	★692407	Seal–Governor Shaft				1024	499054	Pump–Oil
692	690572	Spring–Detent	868	★Δ690968	Seal–Valve	1026	692003	Rod–Push (Intake)
697	690372	Screw (Drive Cap)	877	393456	Wire/Connector–Alternator (Dual Circuit)			Note
718	690959	Pin–Locating				1027	696854	Filter–Oil
729	691335	Clip–Wire (Wire Saddle)	877B	393537	Wire/Connector–Alternator (Tri Circuit)	1029	691751	Arm–Rocker
729A	691224	Clip–Wire (Aluminum Coated Steel)	877C	399916	Wire/Connector–Alternator (10 Amp Circuit)	1032	491710	Ball–Oil Pump
729B	694123	Clip–Wire (Nylon)				1034	690822	Guide–Push Rod
741	697128	Gear–Timing	878	691237	Harness–Alternator (Dual Circuit)	1035	693784	Shaft–Pump
750	691033	Screw (Oil Pump Cover)	878A	691955	Harness–Alternator (Tri Circuit)	1036	790464	Label–Emissions (Used After Code Date 04063000).

★ Included in Engine Gasket Set–Ref. No.358.

● Included in Carburetor Overhaul Kit–Ref. No. 121 or 121A.

◆ Included in Carburetor Gasket Set–Ref. No. 977.

Δ Included in Valve Gasket Set–Ref. No 1095.

Illustrations cover a range of engines. Parts shown without corresponding text may not be used on your specific engine.

5767–10

Assemblies include all parts shown in frames.

11/19/2004

31Q700

REF. NO.	PART NO.	DESCRIPTION	REF. NO.	PART NO.	DESCRIPTION	REF. NO.	PART NO.	DESCRIPTION
1051	691265	Ring-Retaining	1127	695407	Screw (Float Bowl)	1266A	●697123	Seal-O Ring (Intake Elbow)
1054	280275	Tie-Cable	1263	697124	Reed-Breather	1267	697575	Latch-Blower Housing
1058	275935	Operator's Manual	1264	697104	Screw (Breather Reed)	1270	697156	Plug-AVS Counterweight
1059	698516	Kit-Screw/Washer	1265	697125	Support-Blower Housing	1279	691108	Screw (Blower Housing Support)
1070	690372	Screw (Flywheel Fan)	1266	★●691917	Seal-O Ring (Intake Elbow)	1330	272147	Repair Manual
1090	691293	Retainer-Brush						
1091	691333	Cap-Limiter						
1095	690190	Gasket Set-Valve						
1119	691183	Screw (Alternator)						

★ Included in Engine Gasket Set-Ref. No.358.

● Included in Carburetor Overhaul Kit-Ref. No. 121 or 121A.

◆ Included in Carburetor Gasket Set-Ref. No. 977.

△ Included in Valve Gasket Set-Ref. No 1095.

Illustrations cover a range of engines. Parts shown without corresponding text may not be used on your specific engine.
5767-11 Assemblies include all parts shown in frames. **11/19/2004**