

325430 to 325438

Illustrated Parts List

MODEL SERIES

325430 to 325438

TYPE NUMBERS

0010 through 0050

0110 through 0160

TO FIND

THE CORRECT NUMBER OF THE PART YOU NEED:

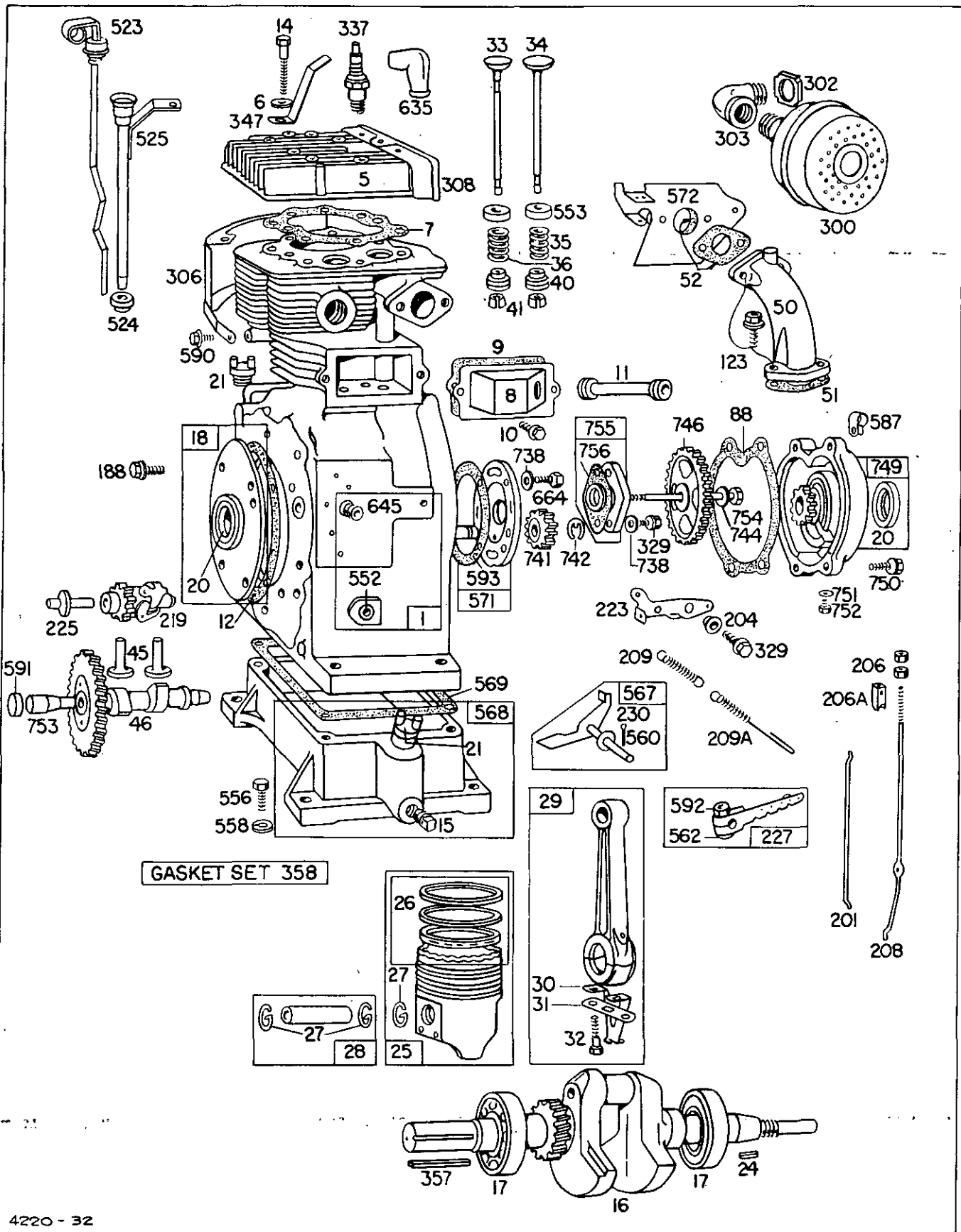
FOLLOW THE INSTRUCTIONS BELOW

- A. Refer to Engine Model, Type and Code Number that is stamped on the blower housing or name plate of engine. Engine type numbers such as 0123 01 are listed herein only as 0123. The two digits (01 or 02, etc.) to the right of the space are not needed for parts identification. Then use the Illustrated Parts List covering these Model Series.
- B. Refer to Illustrated Parts section and compare the old part with illustration. The number on the illustration is the Reference Number. Assemblies include all parts shown in frames. All parts shown in assembly frames on which individual reference numbers are given can be purchased separately.
- C. After the Reference Number has been identified, refer to the Numerical Parts List, where Reference and Master Part Numbers are listed. **THE MASTER PART IS USED ON ALL TYPE NUMBERS EXCEPT THOSE TYPE NUMBERS UNDER "NOTE"**.
- D. If a "Note" appears below the Master Part Number, this means that this part differs from the Master Part for certain types. If the Type Number is listed under "Note", order the part referred to.
- E. If the Engine Type Number does not appear after any part number listed under "Note", use the Master Part Number.
- F. For Type Numbers higher than those covered by this book, please refer to the factory if you are unable to identify the part by comparison.

PRINTED IN U.S.A.

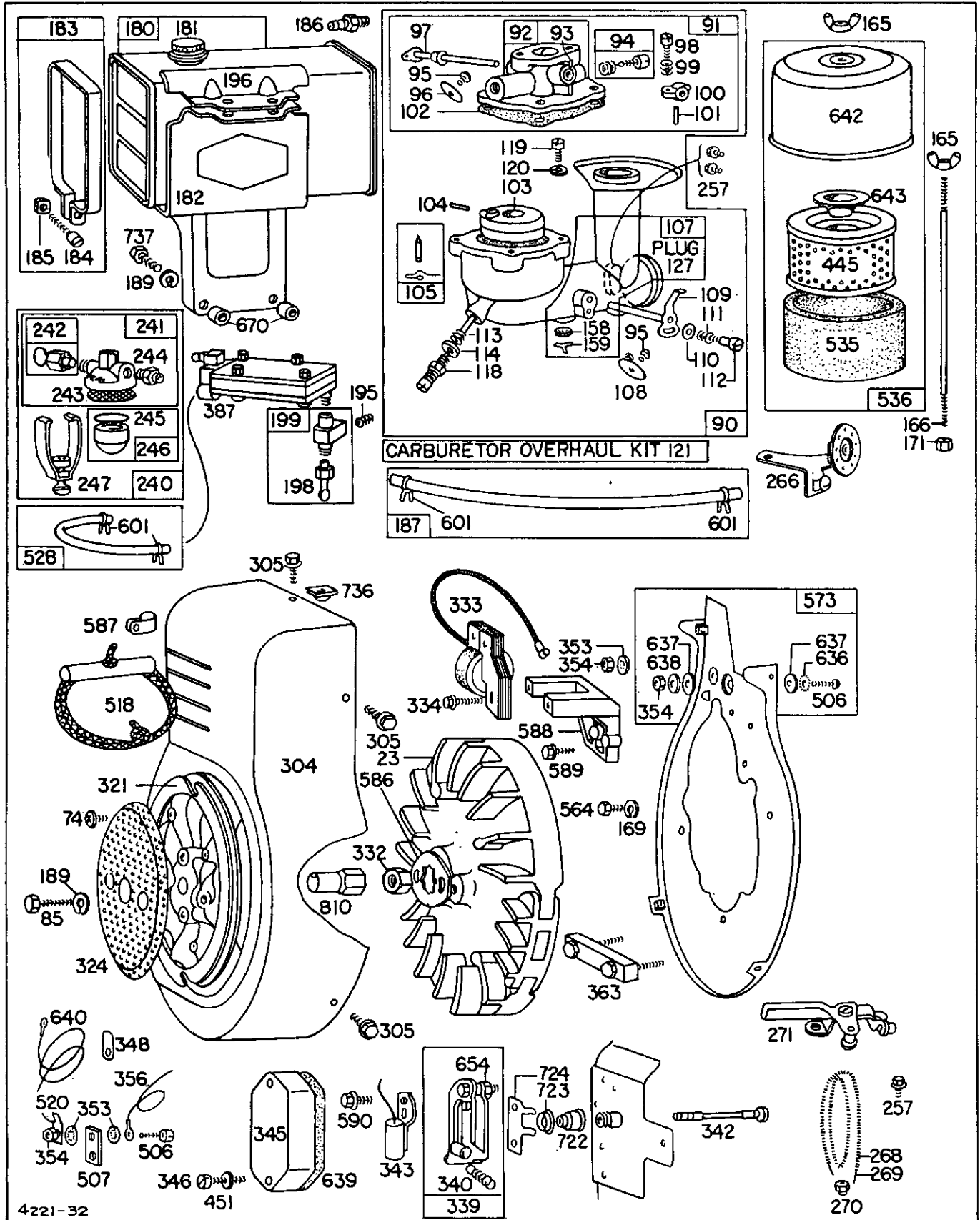


325430 to 325438



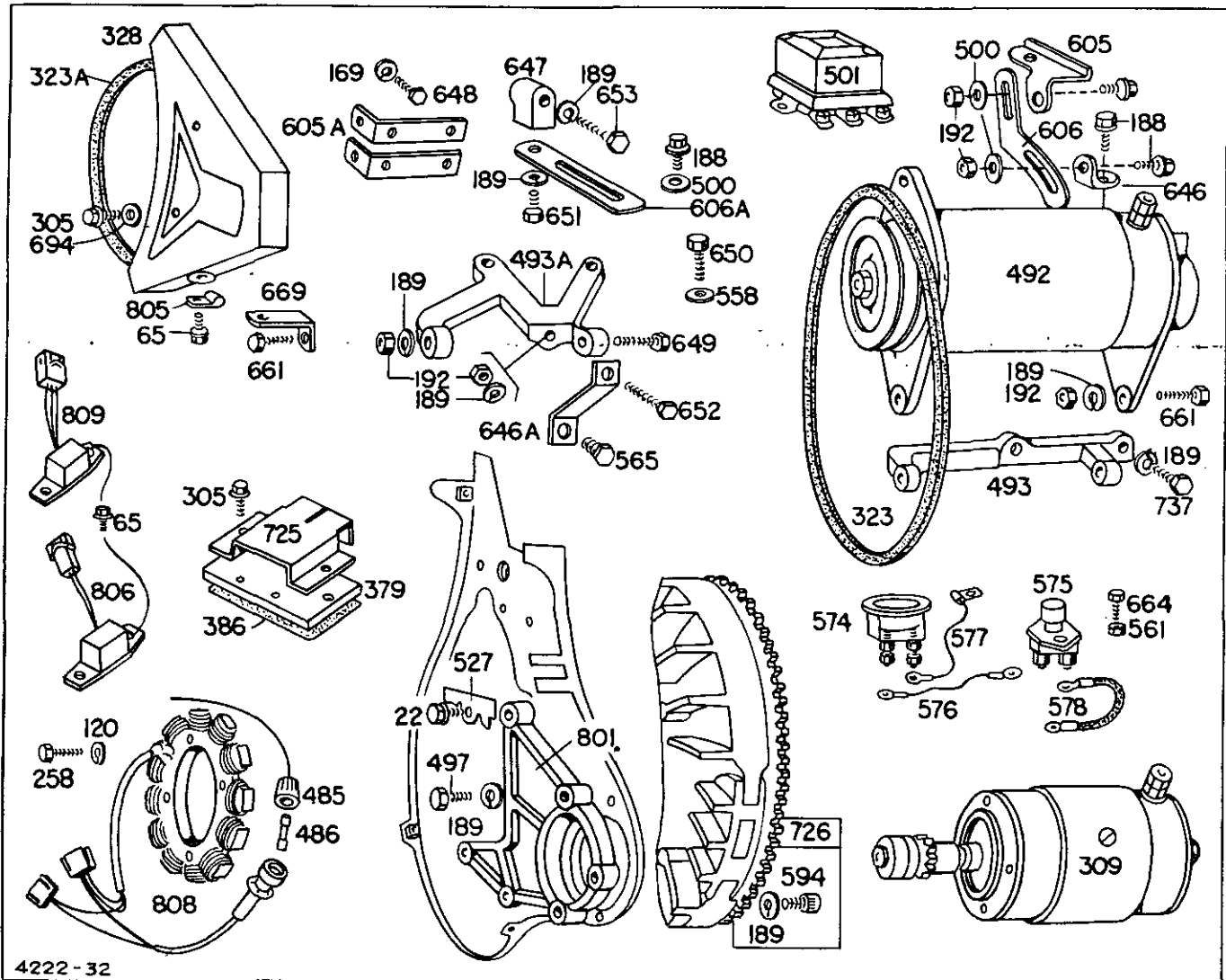
4220 - 32

Assemblies include all parts shown in frames.



Assemblies include all parts shown in frames.

325430 to 325438



4222-32

Assemblies include all parts shown in frames.

REF. NO.	PART NO.	DESCRIPTION	REF. NO.	PART NO.	DESCRIPTION	REF. NO.	PART NO.	DESCRIPTION
1	391044	Cylinder Assembly		93583	Stud-Cylinder Head		261160	Crankshaft
5	211889	Head-Cylinder			Head			Used on type Nos. 0125, 0126.
6	22963	Washer-Cylinder Head			Used on type No. 0152.		261162	Crankshaft
7	*270662	Gasket-Cylinder Head						Used on type Nos. 0021, 0112, 0134.
8	299328	Breather	15	91084	Plug-Pipe-3/8"		261163	Crankshaft
9	*27803	Gasket-Valve Cover		Note:	93418 Plug-Oil Drain (Hex.-Socket)			Used on type Nos. 0022, 0114, 0135.
10	93394	Screw-Breather Mtg. Sem			Used on type Nos. 0149, 0157, 0158.		261169	Crankshaft
11	68818	Tube-Breather			93720 Cap-Pipe			Used on type Nos. 0050, 0136, 0153, 0154, 0155.
12	270789	Gasket-Cover			93719 Pipe-Oil Drain			Used on type No. 0139.
14	92674	Screw-Cylinder Head-2-7/16" Long (9)	16	261131	Crankshaft		261170	Crankshaft
	Note:	93211 Screw-Cylinder Head-2-21/32" Long (2)		Note:	261110 Crankshaft			Used on type Nos. 0137, 0149, 0157.
		Used on type Nos. 0137, 0138, 0145, 0146, 0149, 0150, 0156, 0157.			261154 Crankshaft		261181	Crankshaft
					Used on type No. 0113.			Used on type Nos. 0138, 0150, 0156.
						17	291667	Bearing-Ball
						18	391062	Cover Assy.-Crankcase

* Included in Gasket Set-Part No. 299719.

REF. NO.	PART NO.	DESCRIPTION	REF. NO.	PART NO.	DESCRIPTION	REF. NO.	PART NO.	DESCRIPTION
	Note:	291665 Cover Assy.—Crankcase Used on type Nos. 0050, 0112, 0113, 0114, 0136, 0155.			211822 Ring—Piston, Comp., Top, .010" O.S.	88	270449	Gasket—Gear Case Cover
		291710 Cover Assy.—Crankcase Used on type Nos. 0021, 0022, 0134, 0135.			211823 Ring—Piston, Comp., Center, .010" O.S.	90	391065	Carburetor Assy. Note: 391068 Carburetor Assy. Used on type Nos. 0121, 0139.
20	299609	Seal—Oil		390505	390487 Ring—Piston, Oil, .010" O.S. (w/expander)			391070 Carburetor Assy. Used on type Nos. 0125, 0126, 0129, 0137, 0138, 0145, 0146, 0149, 0150, 0152, 0156, 0157, 0158.
	Note:	291675 Seal—Oil Used in P. T. O. Cover on type Nos. 0021, 0022, 0050, 0112, 0113, 0114, 0134, 0135, 0136, 0155.			Ring Set—Piston— .020" O.S. Consists of:	91	299687	Body Assy.—Upper Carburetor
21	66768	Plug—Oil Filler			211825 Ring—Piston, Comp., Top, .020" O.S.		Note:	391067 Body Assy.—Upper Carburetor Used on type Nos. 0121, 0139.
	Note:	298860 Oil Minder Used on type Nos. 0128, 0151.			211826 Ring—Piston, Comp., Center, .020" O.S.	92	299357	Body—Upper Carburetor
22	93032	Screw—Sem		390507	Ring Set—Piston— .030" O.S. Consists of:		Note:	390998 Body—Upper Carburetor Used on type Nos. 0121, 0139.
23	298975	Flywheel—Magneto			211828 Ring—Piston, Comp., Top, .030" O.S.	93	23108	Bushing—Throttle Shaft
	Note:	390165 Flywheel and Alternator Rotor Assy. Used on type Nos. 0138, 0146, 0154.			211829 Ring—Piston, Comp., Center, .030" O.S.	94	† 292681	Valve Assembly—Carburetor Idle
		390907 Flywheel and Alternator Rotor Assy. Used on type Nos. 0027, 0115, 0127, 0141, 0144.			390508 Ring—Piston, Oil, .030" O.S. (w/expander)	95	93038	Screw—Choke and Throttle Valve Mtg. Sem
		391116 Flywheel—Magneto Used on type No. 0148.	27	260924	Lock—Piston Pin	96	221939	Valve—Throttle
24	61760	Key—Flywheel	28	299691	Pin Assy.—Piston—Standard	97	298535	Shaft Assy.—Throttle
25	390364	Piston Assy.—Standard	29	299632	Rod Assy.—Connecting	98	91920	Screw—Machine, Fill. Hd.—8-32 x 5/8"
		390365 Piston Assembly— .010" O.S.		Note:	For Connecting Rod with .020" undersize Crankpin Bore — order No. 390306.	99	26157	Spring—Throttle Adjustment
		390366 Piston Assembly— .020" O.S.	30	221777	Dipper—Conn. Rod	100	61967	Stop—Throttle
		390367 Piston Assembly— .030" O.S.	31	221776	Lock—Conn. Rod Screw	101	93043	Pin—Throttle Lever
			32	230907	Screw—Conn. Rod	102	† 270268	Gasket—Carburetor Body
			33	26736	Valve—Exhaust	103	298514	Float—Carburetor
			34	261070	Valve—Intake	104	† 230896	Pin—Float Hinge
			35	26828	Spring—Intake Valve	105	† 299096	Valve—Fuel Inlet
			36	26828	Spring—Exhaust Valve	107	391066	Body Assy.—Lower Carburetor
			40	292260	Rotocoil—Exhaust and Intake Valve		Note:	391069 Body Assy.—Lower Carburetor Used on type Nos. 0121, 0125, 0126, 0129, 0137, 0138, 0139, 0145, 0146, 0149, 0150, 0152, 0156, 0157, 0158.
			41	68283	Collar—Valve Spring Retainer	108	390936	Valve—Choke
			45	26670	Tappet—Valve	109	298534	Shaft and Lever—Choke
			46	211794	Gear—Cam		Note:	298622 Shaft and Lever—Choke Used on type Nos. 0121, 0125, 0126,
			50	211589	Elbow—Carburetor Intake			
			51	† *270267	Gasket—Intake Elbow			
			52	*27381	Gasket—Intake Elbow Mounting			
			65	93163	Screw—Sem			
			74	93521	Screw—Rotating Screen Mounting			
			85	91386	Screw—Fan Pulley Mounting			
MODEL 325430 SERIES PISTON RING SETS								
	Note:	For Chrome Piston Ring Set—Standard Size—order Part No. 390679.						
26	390484	Ring Set—Piston—Std. Consists of: 211807 Ring—Piston, Comp., Top, Standard 211808 Ring—Piston, Comp., Center, Std. 390485 Ring—Piston, Oil, Std. (w/expander)						
		390486 Ring Set—Piston— .010" O.S. Consists of:						

* Included in Gasket Set—Part No. 299719.

† Included in Carburetor Overhaul Kit—Part No. 391071.

REF. NO.	PART NO.	DESCRIPTION	REF. NO.	PART NO.	DESCRIPTION	REF. NO.	PART NO.	DESCRIPTION						
		0150, 0152, 0156, 0157, 0158, 0159, 0160.			0146, 0147, 0149, 0150, 0151, 0152, 0156, 0157, 0158.			Used on type Nos. 0125, 0126.						
323	68878	V-Belt	357	91540	Key-Pulley Mtg.	524	68838	Seal-Filler Pipe						
323A	68898	V-Belt	358	299719	Gasket Set	525	390941	Pipe-Oil Filler						
324	221851	Screen-Rotating	363	19068	Puller-Flywheel (Optional Accessory)		Note:	390945 Pipe-Oil Filler						
	Note:	222044 Screen-Rotating			379	222253		Used on type Nos. 0121, 0139.						
		Used on type Nos. 0137, 0138, 0144, 0145, 0146, 0149, 0150, 0152, 0156, 0157, 0158, 0159, 0160.			Note:	222156		Bracket-Alternator Harness						
		222283 Screen-Rotating					Note:	93468 Clamp						
		Used on type Nos. 0125, 0126.			386	270681		22826 Washer						
328	222062	Guard-Belt			387	390665		Used on earlier model engines.						
329	93294	Screw-Sem			445	390930		528	299942	Pipe-Fuel				
	Note:	93415 Screw-Sem			451	90364		Note:	296004	Pipe-Fuel				
		222289 Washer-Flat								Used on type No. 0139.				
		Used to mount Control Lever on type Nos. 0137, 0138, 0145, 0146, 0149, 0150, 0156, 0157.			485	391011		535	270782	Element-Air Cleaner				
		332	230674	Nut-Flywheel		Note:	390888	Knob Assy. - Fuse	536	391063	Cleaner Assembly-Air			
		333	298968	Armature Assembly				552	23837	Bushing-Governor Crank				
		334	93381	Screw-Armature to Mounting Bracket Sem				553	62222	Cup-Valve Spring				
		337	298809	Plug-Spark				556	90887	Screw-Cap, Hex. Hd. -3/8-16 x 1-1/4"				
	Note:	Spark Plugs 298809 and 293918 use Ignition Cable Terminal No. 221798.			486	67395		558	92268	Washer-Lock-3/8 x 1/8 x 3/32"				
		293918 Plug-Spark			492	297779		560	91984	Pin-Cotter-1/16 x 1/2" long				
		Used on type No. 0022.			493	211785		561	92278	Nut-Hex. -1/4-20				
		339	298185	Breaker Assy.-Ignition				562	92613	Bolt-Governor Lever				
		340	26018	Spring-Breaker Arm				564	92980	Screw-Cap, Hex. Hd. -1/4-20 x 1/2				
		342	298125	Plunger-Contact				565	93142	Screw-Bracket to Base Mounting				
		343	298060	Condenser				567	291364	Crank Assy.-Governor				
		345	211327	Cover-Breaker				568	291404	Base Assy.-Engine				
		346	93400	Screw-Breaker Cover Mounting Sem				Note:	294751	Base Assy.-Engine				
		347	220197	Switch-Stop						Used on type Nos. 0020, 0023, 0050, 0133, 0150, 0152, 0155, 0156, 0159, 0160.				
		348	221976	Switch-Stop						391165 Base Assy.-Engine				
		353	92791	Washer-Lock-Shakeproof						Used on type Nos. 0120, 0121, 0123, 0125, 0126, 0129, 0139, 0149, 0157, 0158.				
		354	90576	Nut-Hex. -8-32						569	*27351	Gasket-Engine-Base		
		356	295413	Wire-Ground						571	299705	Support Assy.-Bearing (Mag. Side)		
	Note:	299656 Wire-Ground			506	90072						572	291871	Guide-Front-Air
		Used on type Nos. 0023, 0133, 0155, 0159.			507	66895						573	299450	Plate-Back
		299907 Wire-Ground			520	93722						Note:	390242	Plate-Back
		Used on type No. 0128.			523	390947								Used on type Nos. 0027, 0115, 0123, 0127, 0138, 0141, 0144, 0146, 0153, 0154.
		391115 Wire-Ground				Note:	390836	Cap Assy. - Oil Filler				574	295158	Ammeter (Stewart Warner No. 357-W)
		Used on type Nos. 0021, 0022, 0050, 0137, 0138, 0139, 0140, 0141, 0145,						Uses:	65304	Gasket-Filler Cap				
									93687	Nipple-Oil Filler				

* Included in Gasket Set- Part No. 299719.

325430 to 325438

REF. NO.	PART NO.	DESCRIPTION	REF. NO.	PART NO.	DESCRIPTION	REF. NO.	PART NO.	DESCRIPTION
	Note:	298586 Holder—Charge Indicator Lamp Uses: 67245 Lamp—Charge Indicator #1893, T—3-1/4 Bulb Miniature Bayonet Base — 14 Volt Used on type Nos. 0023, 0133, 0155, 0159.	591	222251	Plug—Cam Shaft		Note:	92909 Screw—Link Anchor Mounting Used on type Nos. 0149, 0150.
575	299139	298590 Switch—Ignition Uses: 298579 Wire—Ignition Switch to Indicator Lamp 298580 Wire—Ignition Switch to Ground 298581 Wire—Ignition Switch to Breaker Box 221745 Panel—Instrument Uses: 93535 Screw—Sem 91325 Washer—Flat to mount Panel to Generator Used on type Nos. 0023, 0133, 0155, 0159.	592	90356	Nut—Hex. —10-24	654	230783	Nut—Contact Point Adjusting Screw
			593	*270513	Shim—Mag. Side Bearing Support—.015" thick	661	91203	Screw—Cap. Hex. Hd. —5/16-18 x 1-3/4"
				*270514	Shim—Mag. Side Bearing Support—.010" thick	664	93415	Screw—Sem
				*270515	Shim—Mag. Side Bearing Support—.005" thick	669	222067	Bracket—Belt Guard
			594	93702	Screw—Cap. Socket Hd.	670	230900	Spacer—Fuel Tank Bracket Mtg. (2)
			601	93053	Clamp—Fuel Pipe	694	91324	Washer—Belt Guard
			605	221933	Bracket—Starter Angle Note: Upper Brackets used to mount Generator on type Nos. 0137, 0145 are furnished by the equipment manufacturer. For Mtg. Pivot Bracket use: 90366 Washer—Lock 91325 Washer—Flat (2) 91397 Nut—Hex. 92271 Screw	722	68768	Seal—Plunger
						723	93516	Eyelet—Seal Retainer
						724	221873	Retainer—Plunger Seal
						725	222264	Shield—Regulator and Rectifier
						726	390542	Gear—Flywheel Ring (includes mtg. parts)
						736	93542	Nut—Clip
						737	93546	Screw—Tank and Starter Bracket Mtg.
						738	221944	Washer—Flat
						741	390937	Gear Assy.—Idler
						742	93525	Retainer—E-Ring
						744	93526	Washer—Belleville
						746	211927	Gear—Drive
						749	391061	Cover Assy.—Mag. Side
			605A	297171	Bracket—Guard	750	93587	Screw—Mag. Side Cover Mounting Sem
			606	221931	Strap—Adjusting	751	22355	Washer—Flat
			606A	221442	Strap—Adjusting	752	93554	Screw—Plug
			635	66538	Elbow—Spark Plug	753	231006	Shaft—Cam Gear
			636	92864	Washer—Lock	754	93528	Bolt—Cam Gear Shaft
			637	66154	Washer—Back Plate Term.	755	299706	Bearing Assy.—Cam Gear
			638	26404	Washer—Back Plate Term.	756	*270516	Shim—Cam Gear Bearing—.009" thick
			639	*270176	Gasket—Breaker Cover		*270517	Shim—Cam Gear Bearing—.007" thick
			640	298141	Lead—Primary		*270518	Shim—Cam Gear Bearing—.005" thick
576	295160	Wire—Ammeter to Switch	642	222271	Cover—Air Cleaner	801	211766	Bracket—Starter Motor
577	295161	Wire—Ammeter to Regulator	643	222272	Cup—Air Cleaner Note: 222290 Washer—Air Cleaner Used on type No. 0139.	805	93593	Nut—Belt Guard Bracket Mounting
578	295162	Wire—Starter Switch Note: 298583 Wire—Starter Switch to Generator 298582 Wire—Starter Switch to Ignition Switch and "Bat." Terminal on Regulator Used on type Nos. 0023, 0133, 0155, 0159.	645	230775	Bushing—Plunger	806	390909	Regulator—Voltage Note: 390240 Regulator—Voltage Uses: 93415 Screw—Mounting Used on type Nos. 0138, 0146, 0154.
586	22906	Lock—Flywheel Nut	646	221932	Brace—Upper Bracket	808	390910	Stator Assembly Note: 390139 Stator Assy. Used on type Nos. 0138, 0146, 0154.
587	220509	Clamp—Cable	646A	221472	Brace—Lower Bracket			
588	211440	Bracket—Armature Mtg.	647	211170	Link—Anchor	809	390908	Rectifier—Alternator
589	93473	Screw—Armature Bracket to Cylinder Mounting Sem	648	91439	Screw—Cap. Hex. Hd. —1/4-20 x 3/8"	810	230950	Extension—Crankshaft
590	93171	Screw—Sem	649	93546	Screw—Cap. Hex. Hd. —5/16-18 x 1-1/4"			
			650	91814	Screw—Cap. Hex. Hd. —3/8-16 x 2"			
			651	92034	Screw—Cap. Hex. Hd. —5/16-18 x 1/2"			
			652	91162	Screw—Bracket to Bracket			
			653	91442	Screw—Link Anchor Mounting			

* Included in Gasket set—Part No. 299719.