

356400

Illustrated Parts List

Model Series

356400

TYPE NUMBERS
0100, 0115, 0116, 0117.

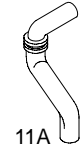
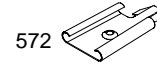
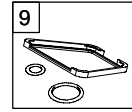
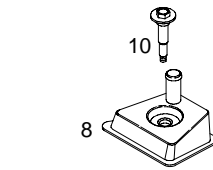
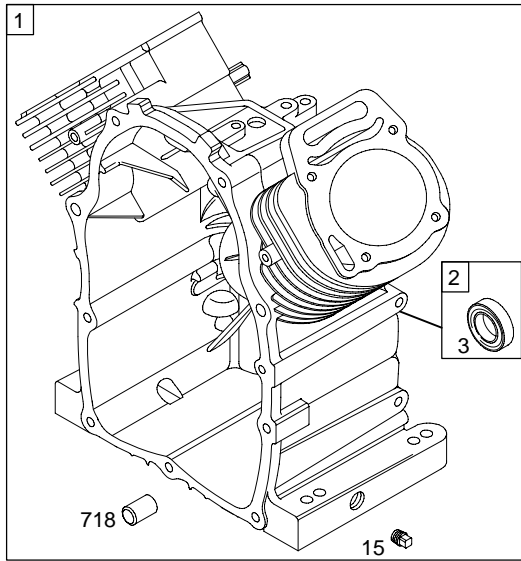
TABLE OF CONTENTS

Air Cleaner	9
Alternator	15
Blower Housing	13
Cams	2
Carburetor	8
Controls	11
Crankcase Cover/Sump	4
Crankshaft	2
Cylinder	2
Electric Starter	16 & 17
Flywheel Group	14
Fuel Tank Group	8
Governor Spring	11
Head/Valves	3
Ignition	15
Intake Manifold	4
Kits/Gaskets – Carburetor	6
Kits/Gaskets – Engine	7
Kits/Gaskets – Valves	6
Muffler	10
Oil Group	5
Piston/Rod Group	2
Shrouds	12

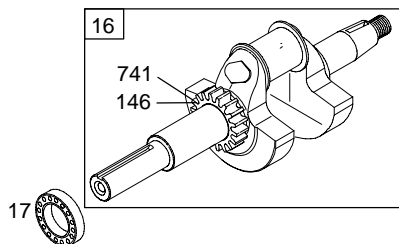
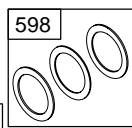
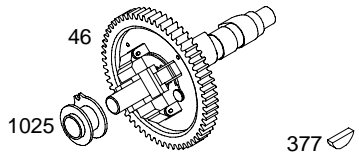
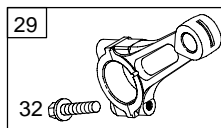
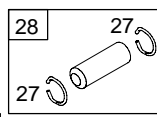
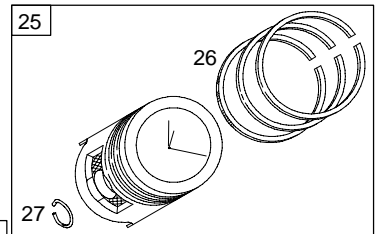
PRINTED IN U.S.A.

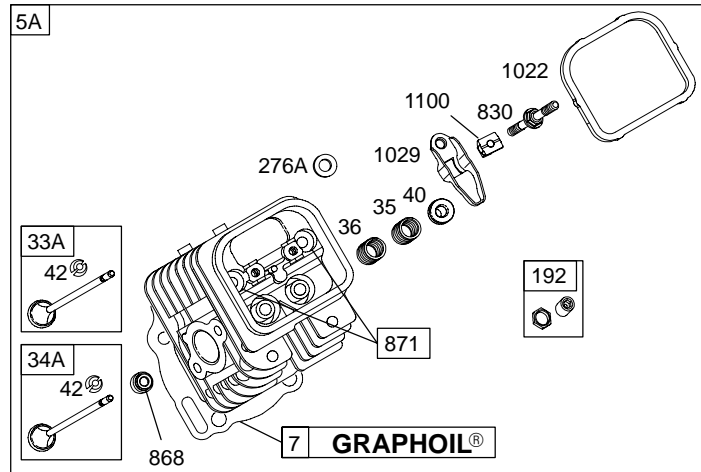
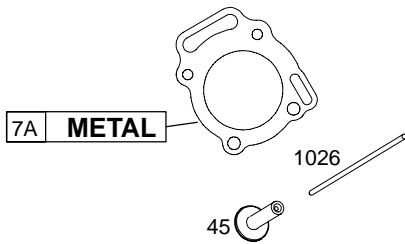
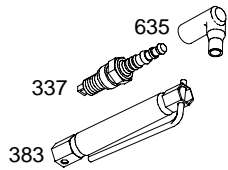
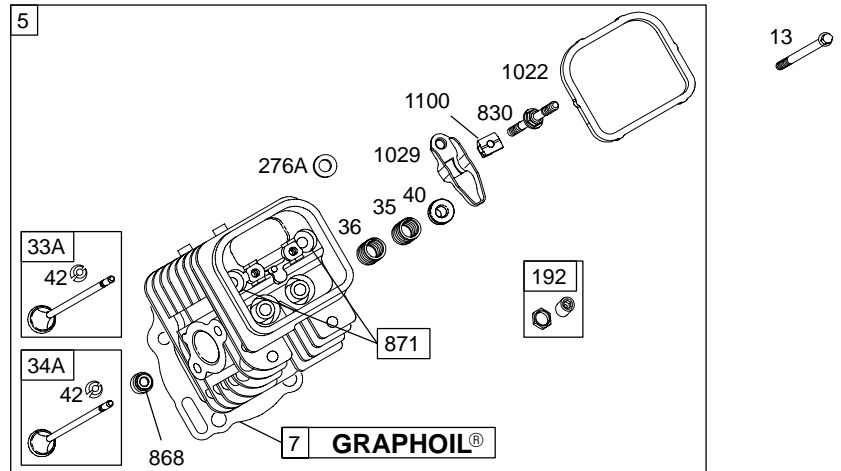
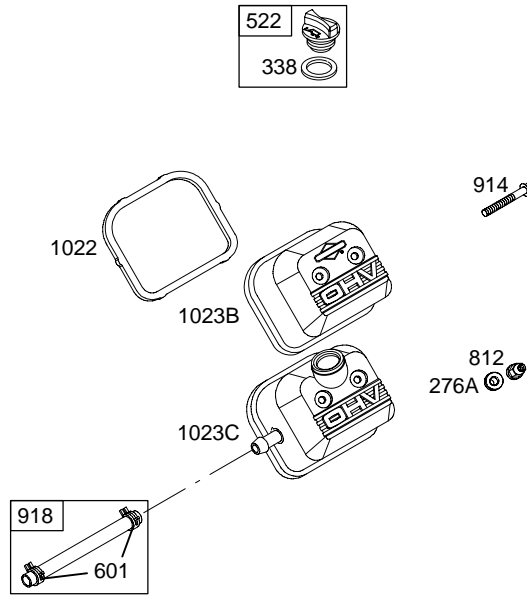


COPYRIGHT by BRIGGS & STRATTON CORPORATION
All rights reserved. No part of this material may be reproduced or transmitted, in any form or by any means, electronic or mechanical, including photocopying, recording or by any information storage and retrieval system, without permission in writing from Briggs & Stratton Corporation.



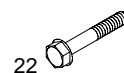
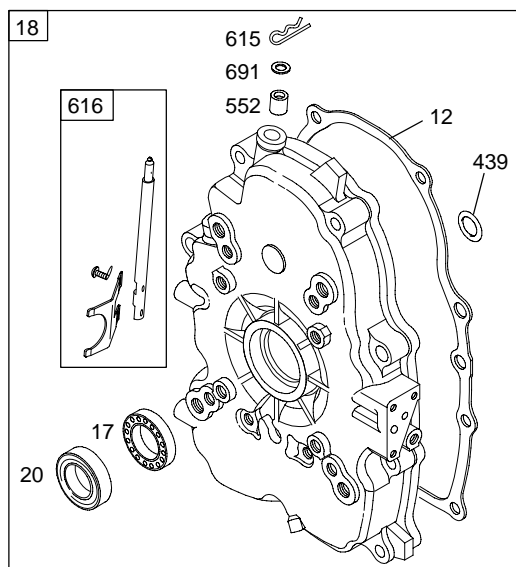
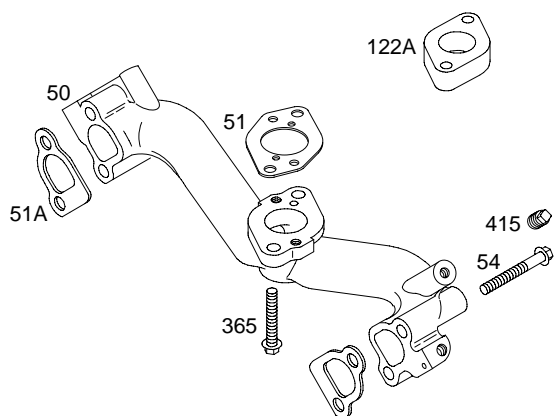
- 1019 LABEL KIT
- 1058 OWNER'S MANUAL
- 1330 REPAIR MANUAL





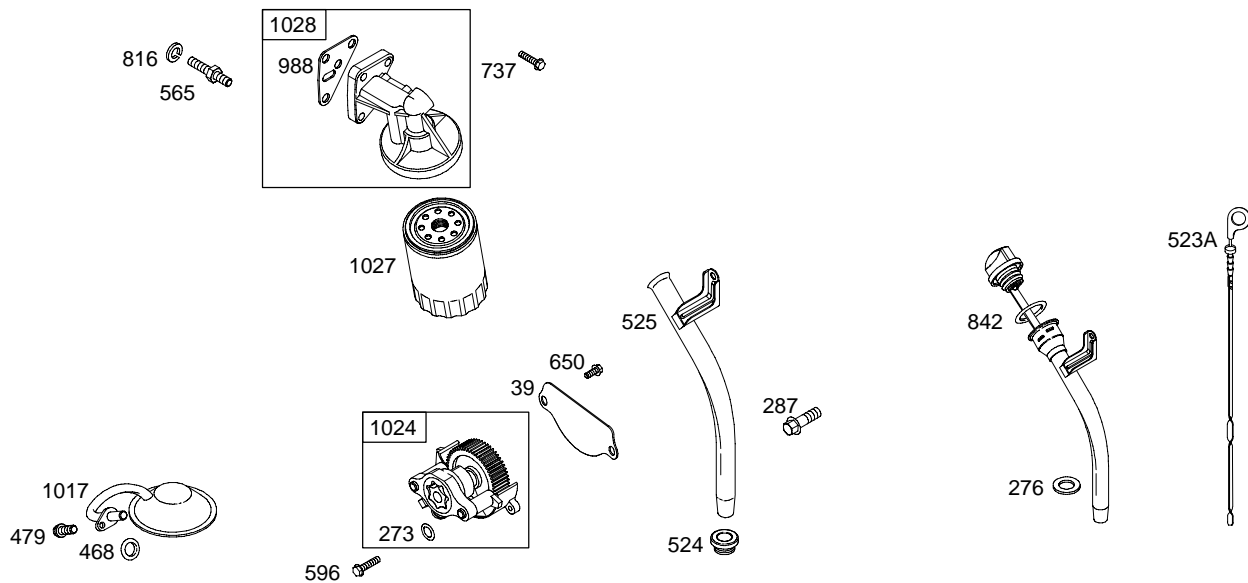
Illustrations cover a range of engines. Parts shown without corresponding text may not be used on your specific engine.
 5761-3 Assemblies include all parts shown in frames. 03/29/2004

356400

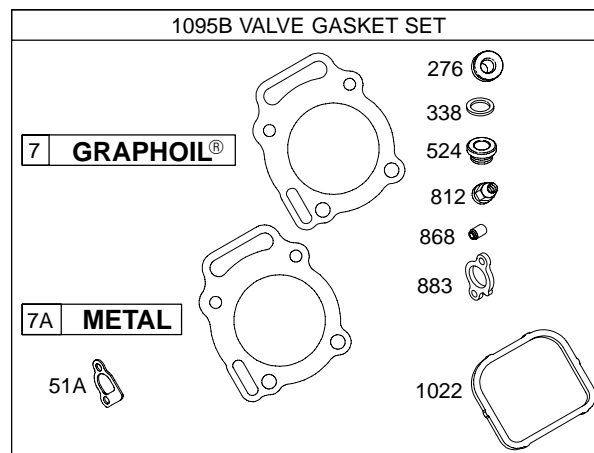
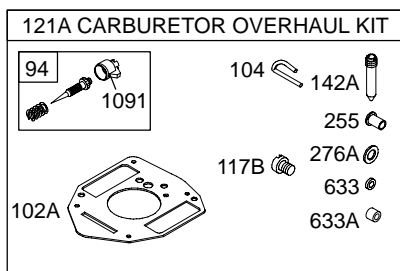


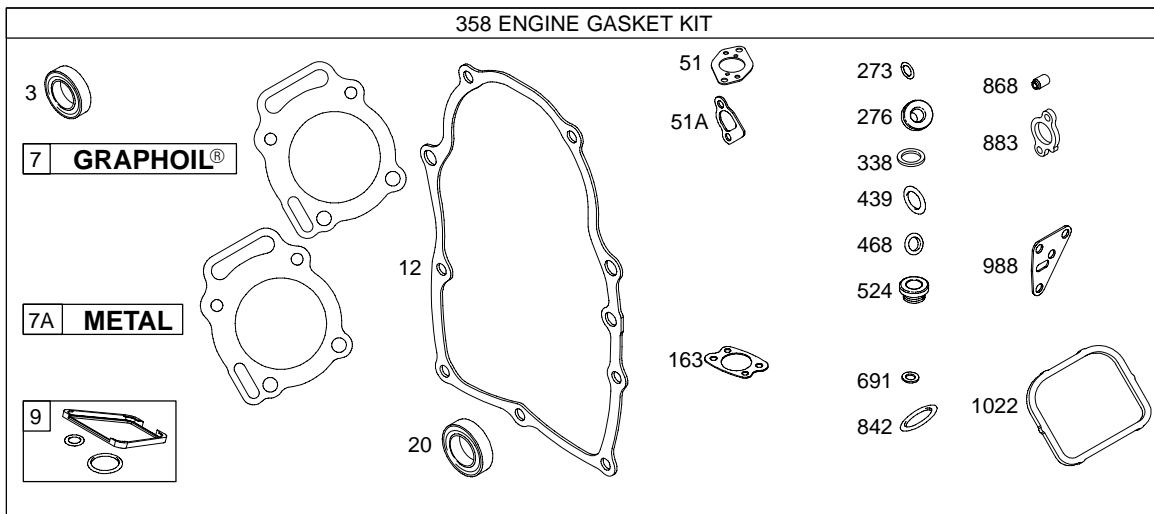
Illustrations cover a range of engines. Parts shown without corresponding text may not be used on your specific engine.
5761-4 Assemblies include all parts shown in frames.

03/29/2004

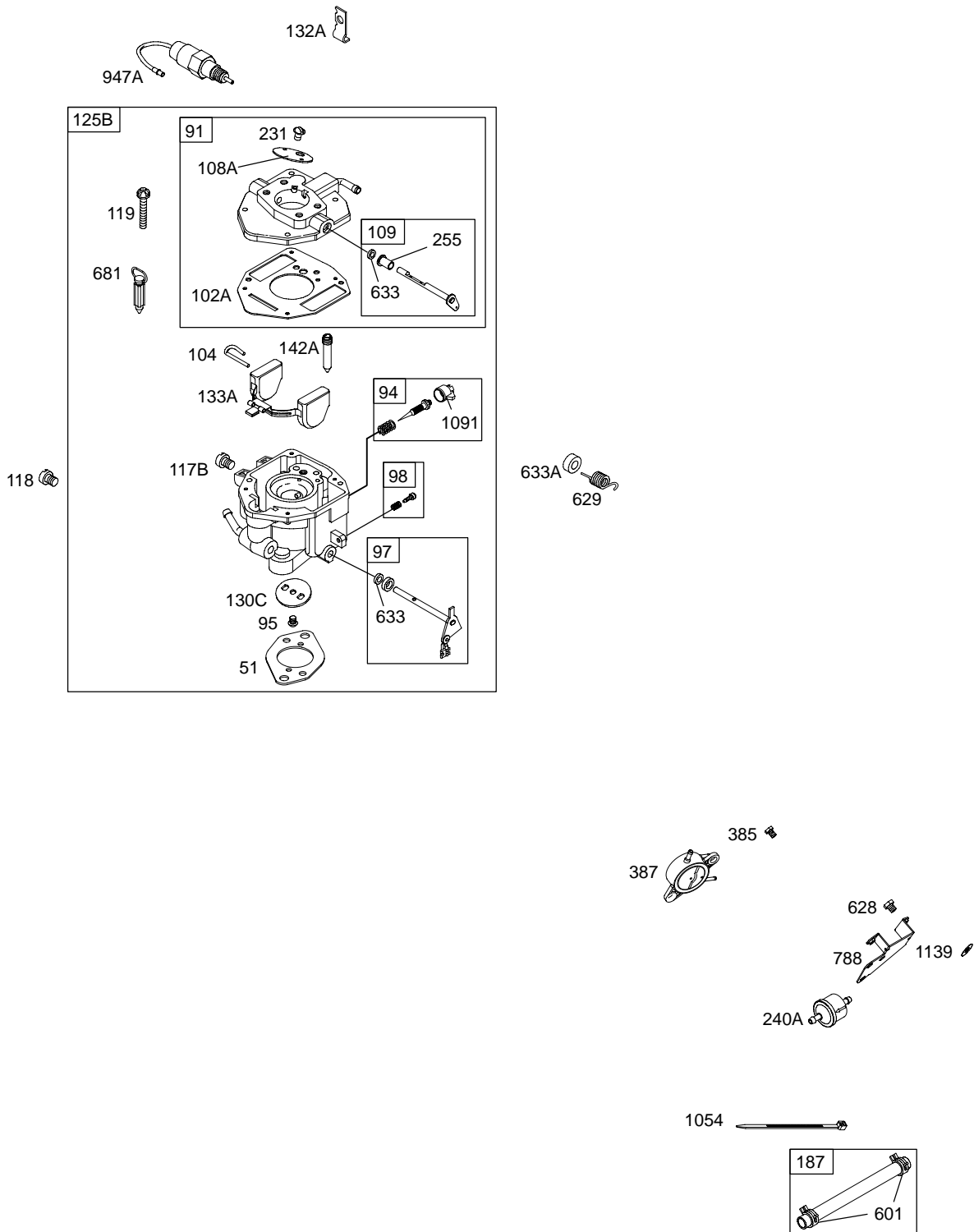


Illustrations cover a range of engines. Parts shown without corresponding text may not be used on your specific engine.

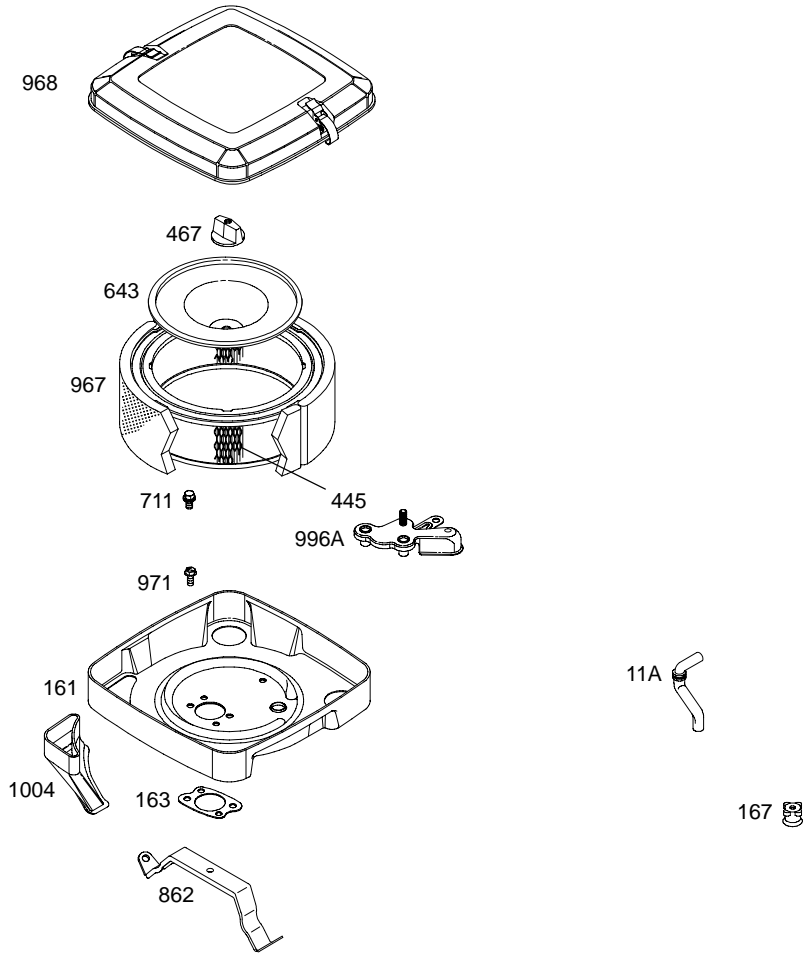


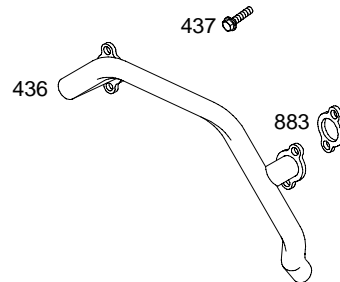
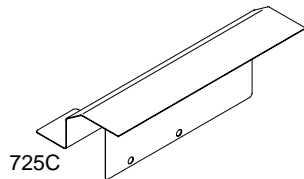
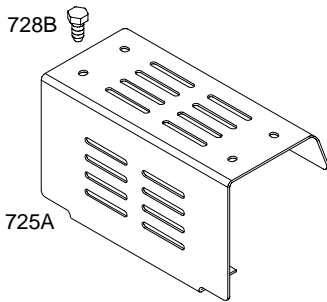
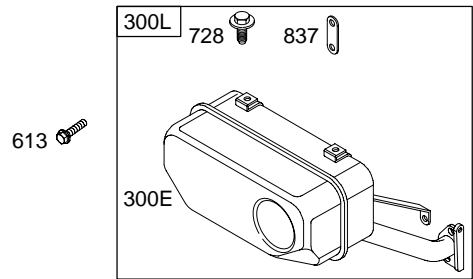
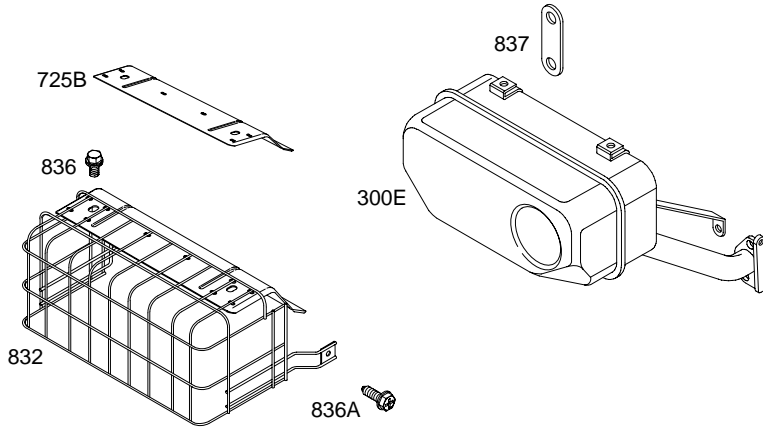


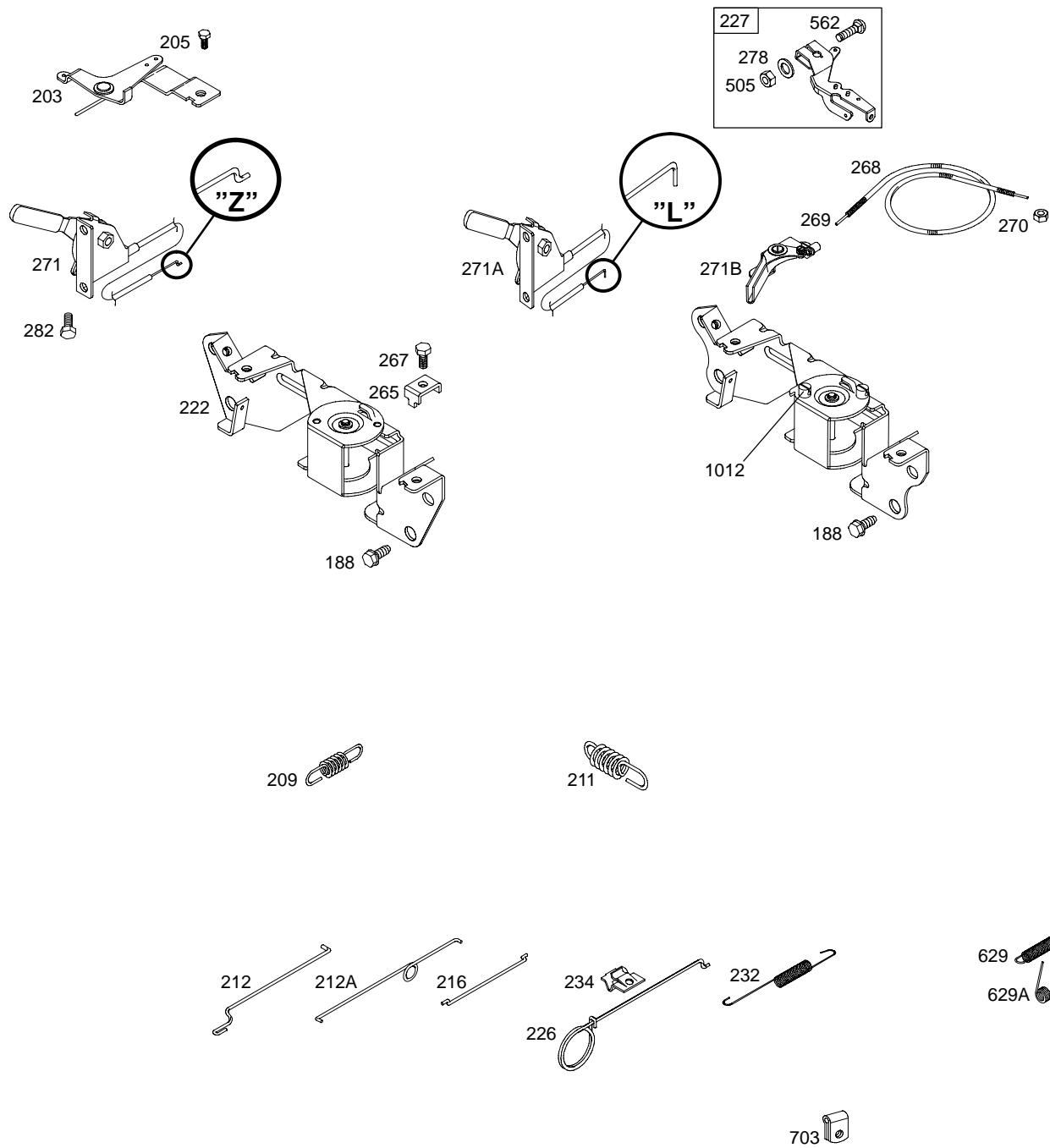
Illustrations cover a range of engines. Parts shown without corresponding text may not be used on your specific engine.



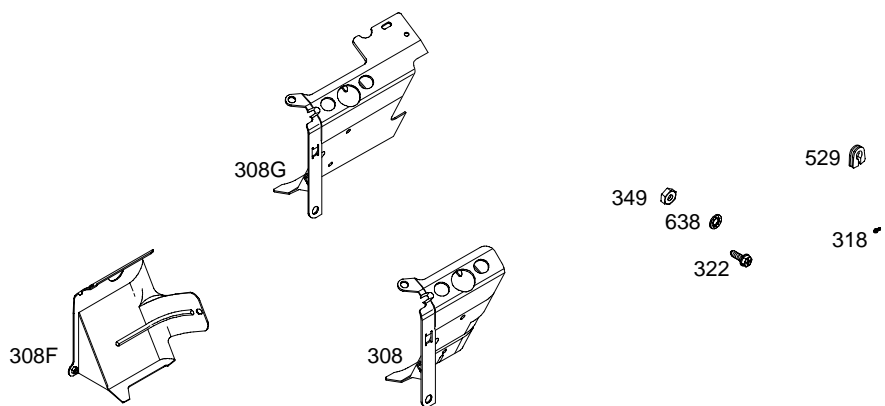
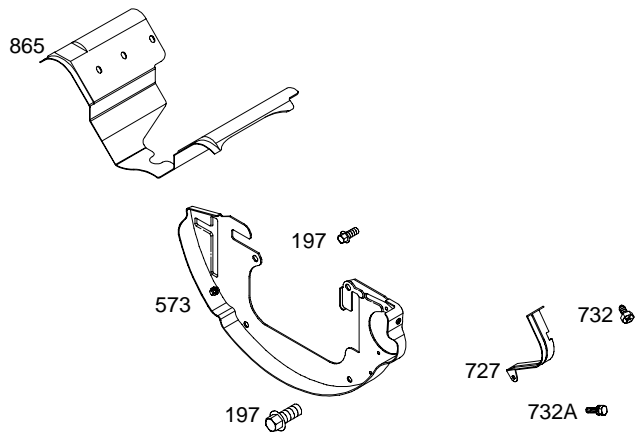
Illustrations cover a range of engines. Parts shown without corresponding text may not be used on your specific engine.
5761-8 Assemblies include all parts shown in frames. **03/29/2004**

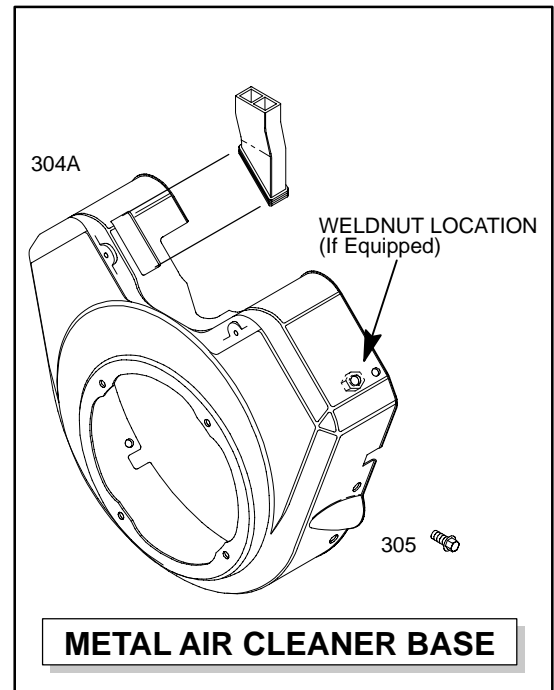
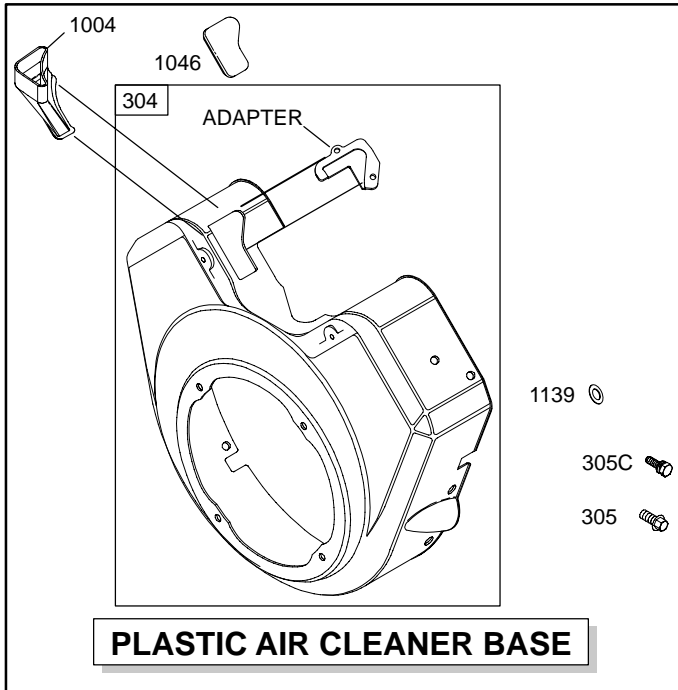




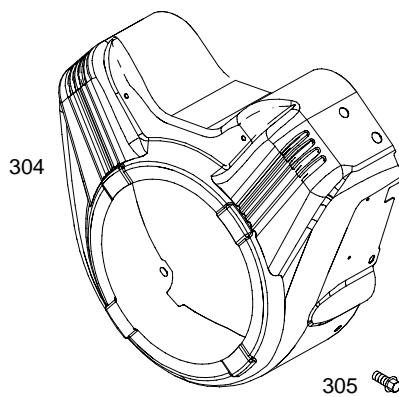


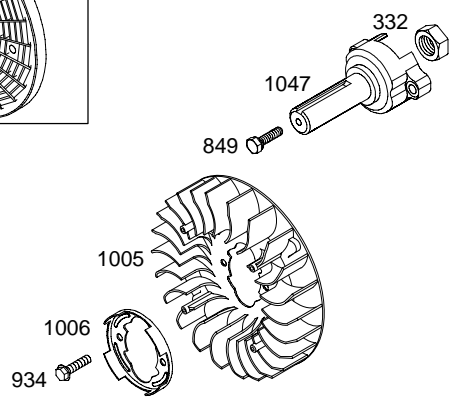
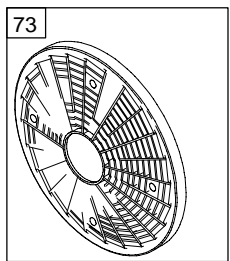
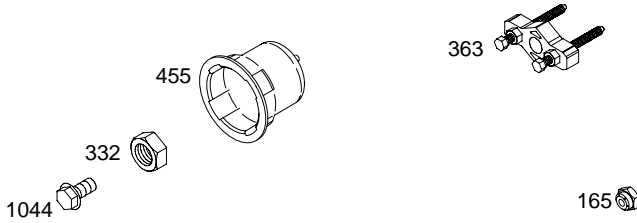
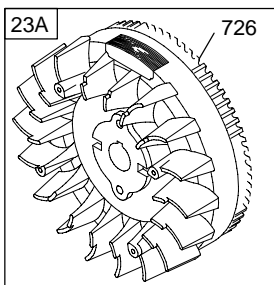
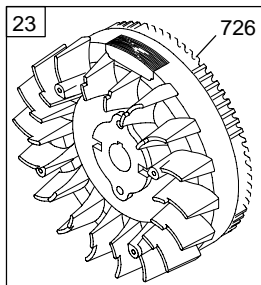
Illustrations cover a range of engines. Parts shown without corresponding text may not be used on your specific engine.
 5761-11 Assemblies include all parts shown in frames. 03/29/2004





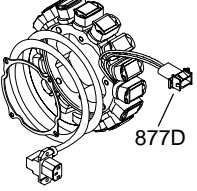
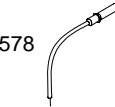
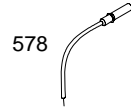
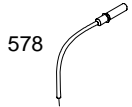






1036 EMISSION LABEL



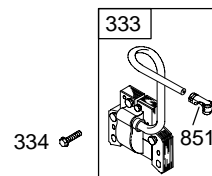
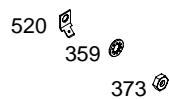
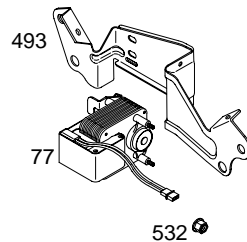
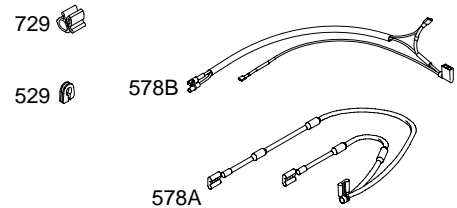
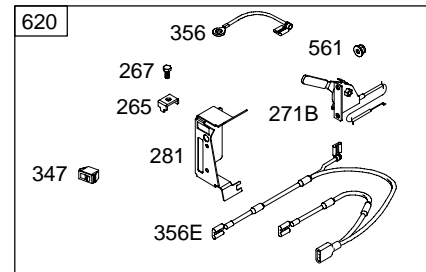
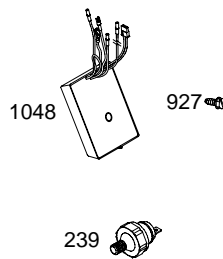
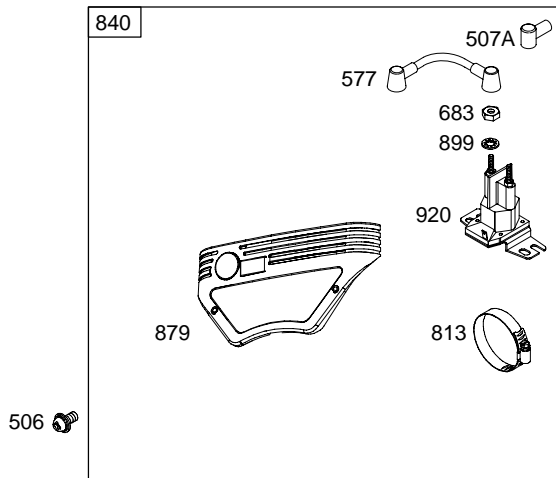


Illustrations cover a range of engines. Parts shown without corresponding text may not be used on your specific engine.
5761-14 Assemblies include all parts shown in frames. **03/29/2004**

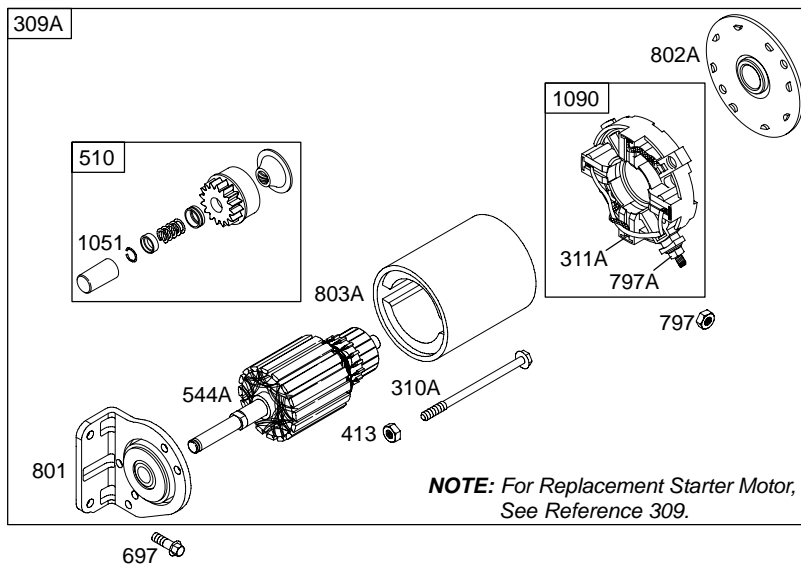
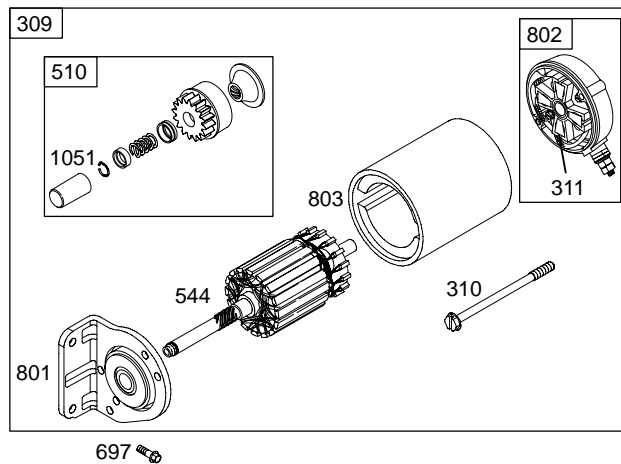
10 – 16 AMP	20 AMP	20 AMP POWER LINK
474D 	474E 	474F 
578 	578 	578 
526 501 	526B 501B 	526B 501B 

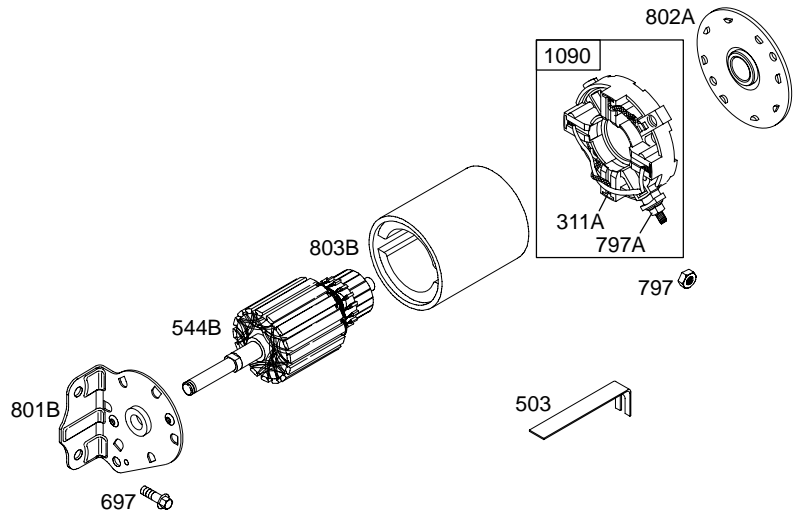
NOTE: All stators use a No. 1119 mounting screw. 

NOTE: The proper flywheel part number and/or the alternator magnet size will determine the alternator type or output. See repair instruction manual for additional information.

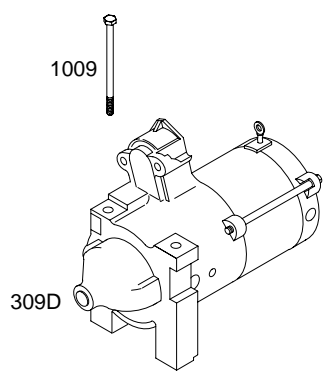


Illustrations cover a range of engines. Parts shown without corresponding text may not be used on your specific engine.





683 



356400

REF. NO.	PART NO.	DESCRIPTION	REF. NO.	PART NO.	DESCRIPTION	REF. NO.	PART NO.	DESCRIPTION
1	692544	Cylinder Assembly ———— Note ———— 841579 Cylinder Assembly Used on Type No(s). 0116.	23	809236	Flywheel (Steel Ring Gear)	35	692084	Spring-Valve (Intake)
2	808534	Kit-Bushing/Seal (Magneto Side)	23A	809174	Flywheel Used on Type No(s). 0116. ———— Note ———— 841050 Flywheel Used on Type No(s). 0115.	36	692084	Spring-Valve (Exhaust)
3	★805101	Seal-Oil (Magneto Side)	25	808326	Piston Assembly (Standard) ———— Note ———— 808336 Piston Assembly (.010" Oversize)	39	690745	Deflector-Oil
5	809185	Head-Cylinder (Cylinder 1)				40	692058	Retainer-Valve
5A	809186	Head-Cylinder (Cylinder 2)				42	807683	Keeper-Valve
7	★△690888	Gasket-Cylinder Head (Graphoil)				45	690977	Tappet-Valve
7A	★△805653	Gasket-Cylinder Head (Metal)				46	691557	Camshaft ———— Note ———— 692157 Camshaft Used on Type No(s). 0115, 0116.
8	808984	Breather Assembly				50	690754	Manifold-Intake
9	★809094	Gasket-Breather				51	★691694	Gasket-Intake (Manifold To Carburetor)
10	690751	Screw (Breather Assembly)				51A	★△692035	Gasket-Intake (Manifold to Head)
11A	806083	Tube-Breather	26	807889	Ring Set (Standard) ———— Note ———— 807994 Ring Set (.010" Oversize)	54	690676	Screw (Intake Manifold)
12	★691684	Gasket-Crankcase				73	841582	Screen-Rotating (Used After Code Date 04021500). ———— Note ———— 841583 Screen-Rotating (Used Before Code Date 04021600). 841440 Screen-Rotating Used on Type No(s). 0117.
13	692059	Screw (Cylinder Head)				74	841441	Screw (Rotating Screen) (Used After Code Date 04021500). ———— Note ———— 807112 Screw (Rotating Screen) (Used Before Code Date 04021600).
15	690946	Plug-Oil Drain	27	690683	Lock-Piston Pin			
16	809842	Crankshaft ———— Note ———— 809806 Crankshaft Used on Type No(s). 0115, 0116, 0117.	28	807886	Pin-Piston (Standard)			
17	690752	Bearing-Ball	29	807900	Rod-Connecting (Standard) ———— Note ———— 807803 Rod-Connecting (.020" Undersize)			
18	808847	Cover-Crankcase ———— Note ———— 808508 Cover-Crankcase Used on Type No(s). 0115, 0116.	32	690698	Screw (Connecting Rod)			
20	★805049	Seal-Oil (PTO Side)	33A	807681	Valve-Exhaust			
22	692540	Screw (Crankcase Cover/Sump)	34A	807680	Valve-Intake	77	690819	Motor-Servo

★ Included in Engine Gasket Set-Ref. No. 358.

● Included in Carburetor Overhaul Kit-Ref. No. 121.

◆ Included in Carburetor Gasket Set-Ref. No. 977.

△ Included in Valve Gasket Set-Ref. No. 1095.

Illustrations cover a range of engines. Parts shown without corresponding text may not be used on your specific engine.

REF. NO.	PART NO.	DESCRIPTION	REF. NO.	PART NO.	DESCRIPTION	REF. NO.	PART NO.	DESCRIPTION
91	808396	Body—Upper Carburetor	188	692056	Screw (Control Bracket)(14mm Bracket)	268	691025	Casing—Control Wire
94	●808399	Kit—Idle Mixture				269	691026	Wire—Control
95	690718	Screw (Throttle Valve)	192	807623	Adjuster—Rocker Arm	270	691027	Nut (Control Wire Casing)
97	809062	Shaft—Throttle	197	807163	Screw (Back Plate)	271	692541	Lever—Control
98	808177	Kit—Idle Speed	203	690923	Crank—Bell	271A	692105	Lever—Control
102A	●692077	Gasket—Carburetor Body	205	692083	Screw (Bell Crank)	271B	691028	Lever—Control
104	●690723	Pin—Float Hinge	209	692070	Spring—Governor (Main)	273	★690681	Seal—O Ring (Oil Pump)
108A	806134	Valve—Choke				276	★△690724	Washer—Sealing
109	808398	Shaft—Choke				276A	●807085	Washer—Sealing (Head)(Rocker Cover)
117B	●806126	Jet—Main (Standard)			Note			Note
118	809685	Jet—Main (High Altitude)			692071			806137
119	690720	Screw (Upper To Lower Carburetor Body)			Spring—Governor Used on Type No(s). 0117.	278	690237	Washer—Sealing Washer (Governor Control Lever)
121A	809024	Kit—Carburetor Overhaul	211	692069	Spring—Governed Idle	281	690742	Panel—Control
122A	690747	Spacer—Carburetor	212	690712	Link—Throttle	282	692083	Screw (Control Lever)
125B	809017	Carburetor	212A	691519	Link—Throttle	287	692062	Screw (Dipstick Tube)
130C	806132	Valve—Throttle	216	690705	Link—Choke	300E	690906	Muffler
132A	690863	Stop—Throttle	222	808454	Bracket—Control (Used With Control Lever And/Or Wire With "Z" Formed End)	300L	808380	Muffler
133A	806961	Float—Carburetor				304	841398	Housing—Blower Used on Type No(s). 0115, 0116.
142A	●806128	Nozzle—Carburetor (Standard)	226	692075	Rod—Hand Choke			Note
146	691639	Key—Timing	227	690236	Lever—Governor Control			841397
161	691561	Base—Air Cleaner (Metal)	231	●690718	Screw (Choke Valve)			Housing—Blower Used on Type No(s). 0117.
		Note	232	692073	Spring—Governor Link	304A	809239	Housing—Blower
		690909 Base—Air Cleaner (Metal) Used on Type No(s). 0117.	234	691723	Clip—Control Rod	305	692056	Screw (Blower Housing)(14mm)
163	★692081	Gasket—Air Cleaner	239	690233	Switch—Oil Pressure	308	806547	Cover—Cylinder Head (Cylinder 1)
165	693148	Nut (Ring Gear)	240A	691035	Filter—Fuel			Note
167	692297	Seal—Air Cleaner Nut	255	●690721	Bushing—Choke Shaft			841232
187	691050	Line—Fuel (Cut To Required Length)	265	691024	Clamp—Casing			Cover—Cylinder Head (Cylinder 1) Used on Type No(s). 0116, 0117.
			267	692083	Screw (Casing Clamp)	308F	841182	Cover—Cylinder Head (Cylinder 2) Used on Type No(s). 0115, 0116, 0117.
					Note			Note
					841552 Screw (Casing Clamp) Used on Type No(s). 0117.			841183
								Cover—Cylinder Head (Cylinder 1) Used on Type No(s). 0115.

★ Included in Engine Gasket Set—Ref. No. 358.

● Included in Carburetor Overhaul Kit—Ref. No. 121.

◆ Included in Carburetor Gasket Set—Ref. No. 977.

△ Included in Valve Gasket Set—Ref. No. 1095.

Illustrations cover a range of engines. Parts shown without corresponding text may not be used on your specific engine.

356400

REF. NO.	PART NO.	DESCRIPTION	REF. NO.	PART NO.	DESCRIPTION	REF. NO.	PART NO.	DESCRIPTION
308G	692805	Cover-Cylinder Head (Cylinder 2)	359	691077	Washer (Ground Terminal)	501	691185	Regulator (10-16 Amp Regulated)
309	691564	Motor-Starter (Steel Ring Gear Only)	363	19203	Puller-Flywheel	501B	691573	Regulator (20 Amp)
309A		Motor-Starter (For Replacement Starter Motor, Order Reference 309)	365	690711	Screw (Carburetor)	503	691532	Strap-Starter Used on Type No(s). 0115.
309D	808817	Motor-Starter Used on Type No(s). 0116.	373	691612	Nut (Ground Terminal)	505	690238	Nut (Governor Control Lever)
310	496880	Screw (Starter Motor)	377	808095	Key-Woodruff	506	807120	Screw (Carburetor Cover)
310A	690323	Screw (Starter Motor)	383	19374	Wrench-Spark Plug	507A	691972	Insulator
311	496887	Brush Set	385	807084	Screw (Fuel Pump)	510	496881	Drive-Starter
311A	497608	Brush Set	387	808656	Pump-Fuel	520	691084	Terminal-Ground
318	690932	Screw (Mounting Bracket)	413	693587	Nut (Starter Motor)	522	491832	Plug-Dipstick/Fill
322	690932	Screw (Cylinder Head Cover)	415	690283	Plug	523A	693175	Dipstick
332	690887	Nut (Flywheel)	436	691501	Manifold-Exhaust	524	★Δ693172	Seal-Dipstick Tube
333	492341	Armature-Magneto	437	691902	Screw (Exhaust Manifold)	525	693174	Tube-Dipstick (Standard)
334	692066	Screw (Magneto Armature)	439	★692154	Seal-O Ring (Crankcase Cover/Sump)	526	692067	Screw (Regulator)(10-16 Amp Regulated)
337	491055	Plug-Spark	445	394018	Filter-Air Cleaner Cartridge	526B	691547	Screw (Regulator)
338	★Δ691312	Gasket-Dipstick (Dipstick Gasket)	455	691517	Cup-Flywheel	529	690744	Grommet
347	691995	Switch-Rocker	467	691985	Knob-Air Cleaner	532	691115	Nut (Mounting Bracket)
349	690238	Nut (Cylinder Head Cover)	468	★690690	Seal-O Ring (Oil Pump Screen)	544	690855	Armature-Starter
356	692961	Wire-Stop ————— Note ————— 690796 Wire-Stop (Control Panel)	474D	696458	Alternator (10-16 Amp Regulated)	544A	693548	Armature-Starter
356E	691999	Wire-Stop	474E	696579	Alternator	544B		Armature-Starter (Serviced By 691564 Starter Motor Only)
358	841188	Gasket Set-Engine	474F	841588	Alternator (20 Amp)	552	690701	Bushing-Governor Crank (Output End)
			479	807084	Screw (Oil Pump Screen) ————— Note ————— 692537 Screw (Oil Pump Screen) Used on Type No(s). 0115.	561	690713	Nut (Control Lever)
			493	691518	Bracket-Mounting	562	690239	Bolt (Governor Control Lever)
						565	690682	Stud (Oil Filter Adapter)
						572	690686	Baffle-Breather

★ Included in Engine Gasket Set-Ref. No. 358.

● Included in Carburetor Overhaul Kit-Ref. No. 121.

◆ Included in Carburetor Gasket Set-Ref. No. 977.

Δ Included in Valve Gasket Set-Ref. No. 1095.

Illustrations cover a range of engines. Parts shown without corresponding text may not be used on your specific engine.

REF. NO.	PART NO.	DESCRIPTION	REF. NO.	PART NO.	DESCRIPTION	REF. NO.	PART NO.	DESCRIPTION
573	841310	Plate-Back ———— Note ———— 841311 Plate-Back Used on Type No(s). 0116.	691	★690680	Seal-Governor Shaft	801	808777	Cap-Drive
			697	692062	Screw (Drive Cap)	801B	691283	Cap-Drive
			703	807116	Clip	802	496813	Cap-End
577	690795	Cable-Starter Used on Type No(s). 0115.	711	841233	Screw (Carburetor Shield)	802A	691286	Cap-End
			718	841581	Pin-Locating (Used After Code Date 04021500).	803	690854	Housing-Starter
578	692306	Wire Assembly				803A	693547	Housing-Starter
578A	692319	Wire Assembly				803B		Housing-Starter (Served By 691564 Starter Motor Only)
578B	691377	Wire Assembly Used on Type No(s). 0116.				812	△692055	Nut (Rocker Cover)
						813	690635	Clamp Used on Type No(s). 0115.
596	691492	Screw (Oil Pump)				816	690706	Washer (Oil Filter Adapter)
598	807625	Shim-End Play (Crankshaft)	725A	805702	Shield-Heat	830	809157	Stud-Rocker Arm
601	691038	Clamp-Hose	725B	691498	Shield-Heat	832	691571	Guard-Muffler
613	692062	Screw (Muffler)	725C	806102	Shield-Heat	836	691514	Screw (Muffler Guard)
615	691550	Retainer-Governor Shaft	726		Gear-Ring (Steel)(See Reference 23 for Service)	836A	692067	Screw (Muffler Guard)
616	806685	Crank-Governor				837	808085	Spacer-Muffler
620	494052	Panel-Speed Control				840	692096	Kit-Panel
628	806660	Screw (Fuel Pump Bracket)				842	★690611	Seal-O Ring (Dipstick Tube)
629	806717	Spring-Throttle Return				849	691088	Screw (Stub Shaft)
629A	806716	Spring-Throttle Return	728	691514	Screw (Heat Shield)	851	493880	Terminal-Spark Plug
633	●690722	Seal-Choke/Throttle Shaft	728B	805704	Screw (Heat Shield)	862	692153	Strap/Stud-Air Cleaner Mounting
633A	●806131	Seal-Choke/Throttle Shaft				865	807119	Cover-Air Guide (Black)
635	692076	Boot-Spark Plug	729	690586	Clip-Wire	868	★△691963	Seal-Valve
638	691551	Washer (Cylinder Cover)(Internal Tooth Lockwasher)	732	690688	Screw (Starter Drive Cover)	871	692057	Bushing-Valve Guide
			732A	841233	Screw (Starter Drive Cover)	877C	399916	Wire/Connector- Alternator (2 Wires, 7-53/64" Long)(2 Bare Wire Ends, And Insulated Snap ConnectMale Pin Terminal)
643	692079	Retainer-Air Filter	737	690679	Screw (Oil Filter Adapter)			
650	841233	Screw (Oil Deflector)	741	691530	Gear-Timing			
681	808798	Kit-Needle/Seat	788	691559	Bracket-Fuel Pump			
683	691029	Nut (Starter Solenoid) Used on Type No(s). 0115.	797	691029	Nut (Brush Retainer)			
			797A	693167	Nut (Brush Retainer)	877D	698092	Wire/Connector- Alternator

★ Included in Engine Gasket Set-Ref. No. 358.

● Included in Carburetor Overhaul Kit-Ref. No. 121.

◆ Included in Carburetor Gasket Set-Ref. No. 977.

△ Included in Valve Gasket Set-Ref. No. 1095.

Illustrations cover a range of engines. Parts shown without corresponding text may not be used on your specific engine.

356400

REF. NO.	PART NO.	DESCRIPTION	REF. NO.	PART NO.	DESCRIPTION	REF. NO.	PART NO.	DESCRIPTION
879	807118	Cover–Carburetor	988	★692063	Gasket–Oil Adapter	1029	807323	Arm–Rocker
883	★Δ691613	Gasket–Exhaust	996A	691577	Shield–Carburetor	1036	806885	Label–Emissions
899	691077	Washer (Starter Solenoid)	1004	807121	Duct–Air	1044	692056	Screw (Flywheel)
914	807120	Screw (Rocker Cover)	1005	841439	Fan–Flywheel	1046	692082	Plug–Blower Housing
918	393815	Hose–Vacuum (Cut To Required Length)	1006	690452	Retainer–Fan	1047	841580	Shaft–Stub (Used After Code Date 04021500).
920	691656	Solenoid–Starter Used on Type No(s). 0115.	1009	806474	Screw (Starter Motor)	Note		
927	691116	Screw (Electronic Governor Module)	1012	690592	Retainer–Link	807867	Shaft–Stub (Used Before Code Date 04021600).	
934	691058	Screw (Fan Retainer)	1017	690900	Screen–Oil Pump	1048	690669	Module–Electronic Governor
947A	692094	Solenoid–Fuel	1019	808036	Kit–Label	1051	691124	Ring–Retaining
967	272490	Filter–Pre Cleaner	1022	★Δ806039	Gasket–Rocker Cover	1054	280275	Tie–Cable
968	692097	Cover–Air Cleaner (With Clips)	1023B	691494	Cover–Rocker	1058	275368	Operator's Manual
971	807084	Screw (Air Cleaner Base to Carburetor)	1023C	690910	Cover–Rocker (Cylinder 1)(With Fuel Pump)	1090	691293	Retainer–Brush
			1024	693185	Pump–Oil	1091	●691516	Cap–Limiter
			1025	690689	Spool–Governor	1095B	841191	Gasket Set–Valve
			1026	691836	Rod–Push (Steel)	1100	690973	Pivot–Rocker Arm
			1027	492932	Filter–Oil (2 1/4" Long)	1119	691552	Screw (Alternator)
			1028	808235	Adapter–Oil Filter	1139	806497	Washer (Fuel Pump Bracket)
					Note	1330	272144	Repair Manual
					808033 Adapter–Oil Filter Used on Type No(s). 0116.			

★ Included in Engine Gasket Set–Ref. No. 358.

● Included in Carburetor Overhaul Kit–Ref. No. 121.

◆ Included in Carburetor Gasket Set–Ref. No. 977.

Δ Included in Valve Gasket Set–Ref. No. 1095.

Illustrations cover a range of engines. Parts shown without corresponding text may not be used on your specific engine.