



Illustrated Parts List

Model Series

356700

TYPE NUMBERS
0100 through 0119.

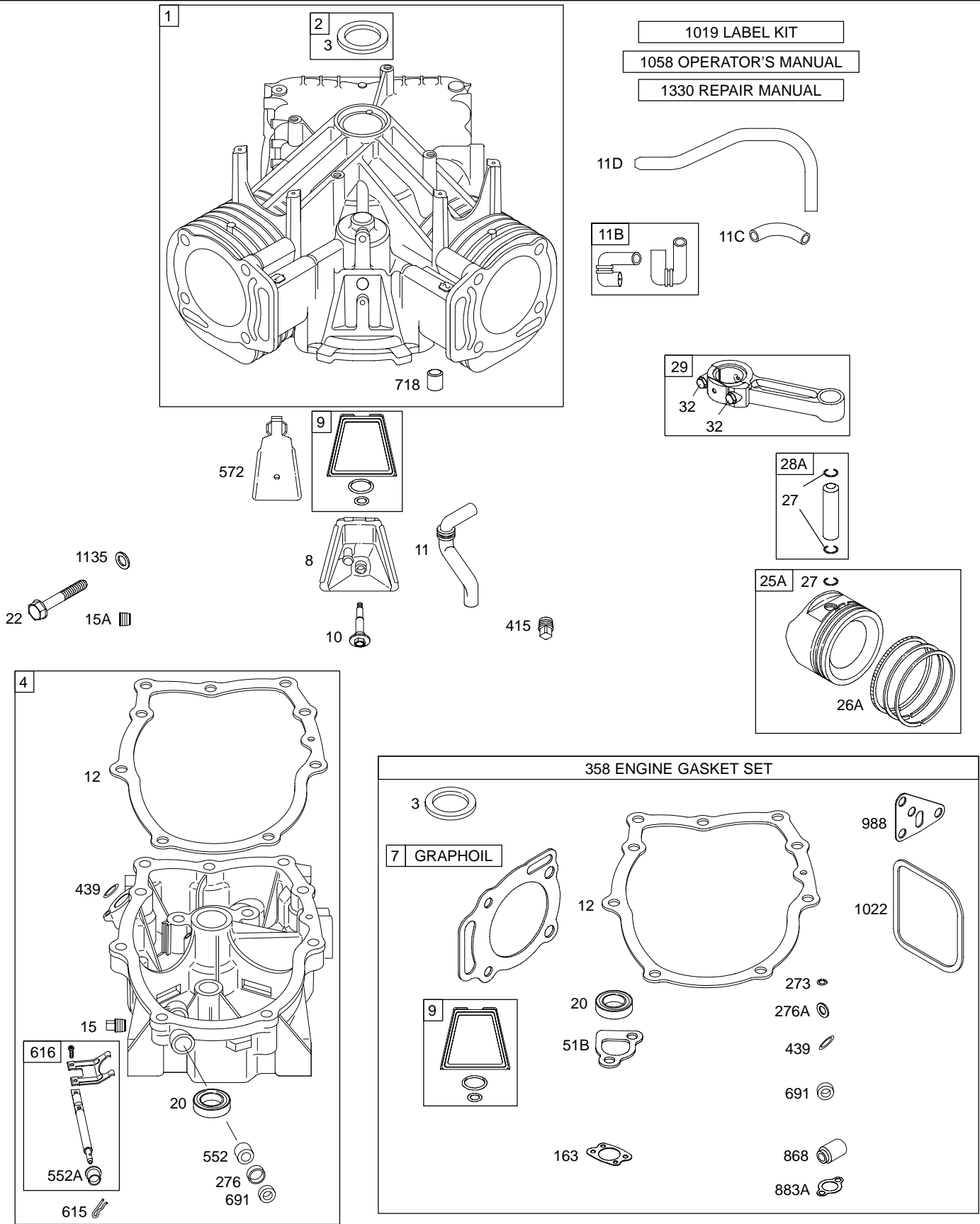
TABLE OF CONTENTS

Air Cleaner	7
Alternator	6
Blower Housing	7
Camshaft	3
Carburetor	4
Crankshaft	3
Cylinder	2
Controls	7
Cylinder Head	5
Electric Starter	12
Engine Sump	2
Exhaust System	8
Fuel Supply	4
Flywheel	9
Gasket Set – Engine	2
Gasket Set – Valve	5
Governor Spring	7
Intake Manifold	4
Ignition	6
Kit – Carburetor Overhaul	4
Lubrication	13
Piston, Rings, Connecting Rod	2
Rewind Starter	10
Shrouds	11
Valves	5

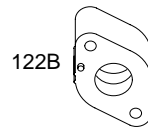
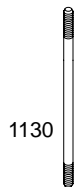
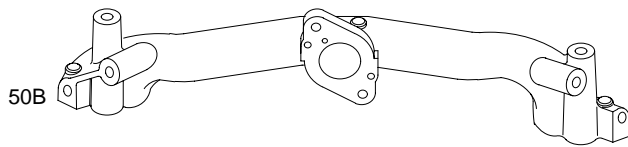
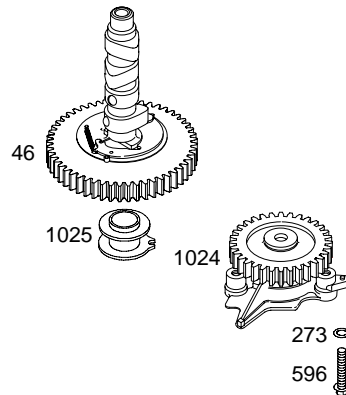
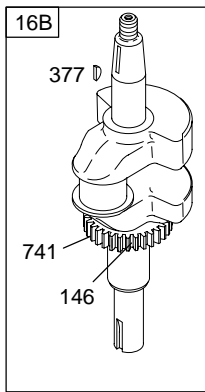
PRINTED IN U.S.A.

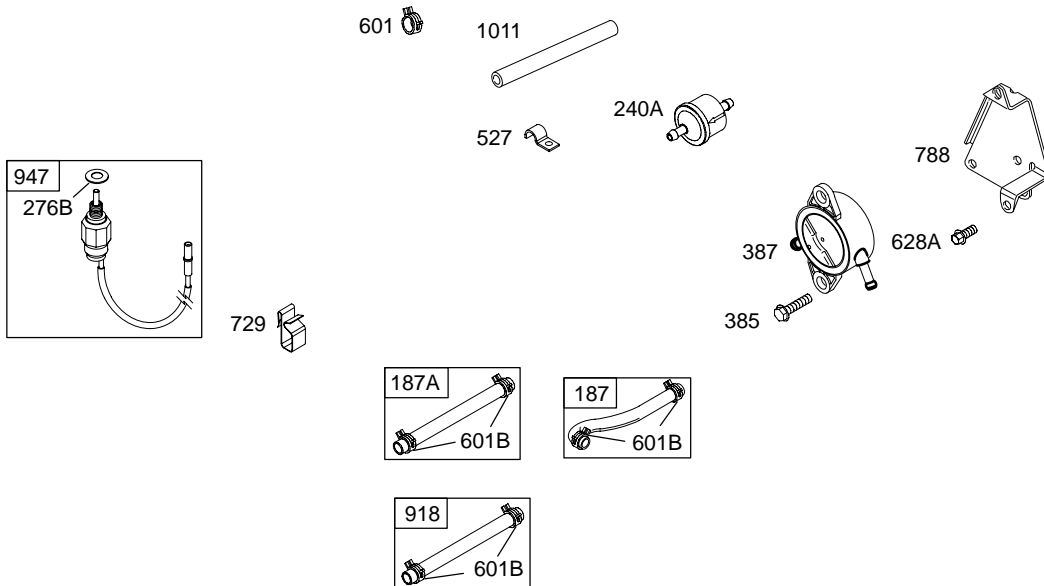
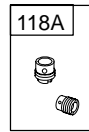
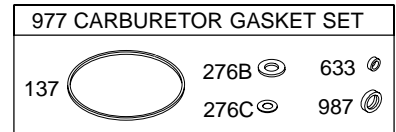
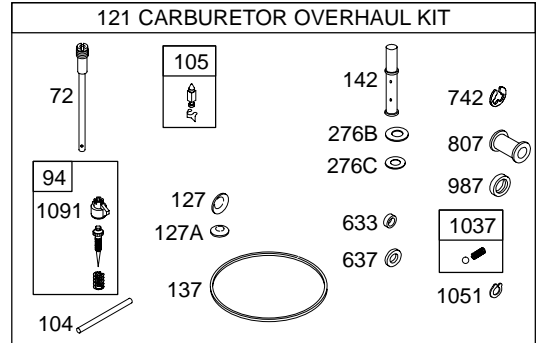
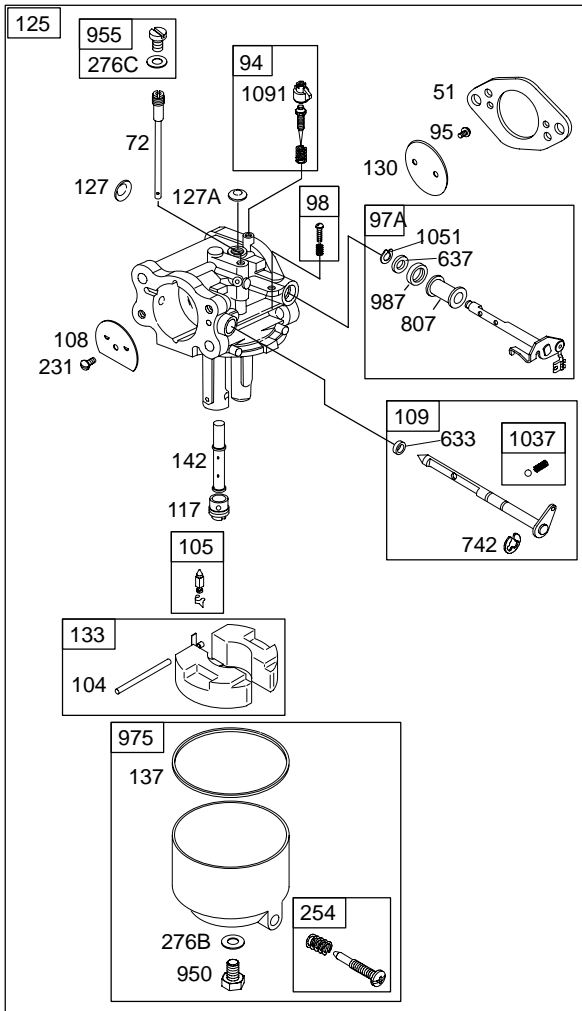


COPYRIGHT by BRIGGS & STRATTON CORPORATION
All rights reserved. No part of this material may be reproduced or transmitted, in any form or by any means, electronic or mechanical, including photocopying, recording or by any information storage and retrieval system, without permission in writing from Briggs & Stratton Corporation.

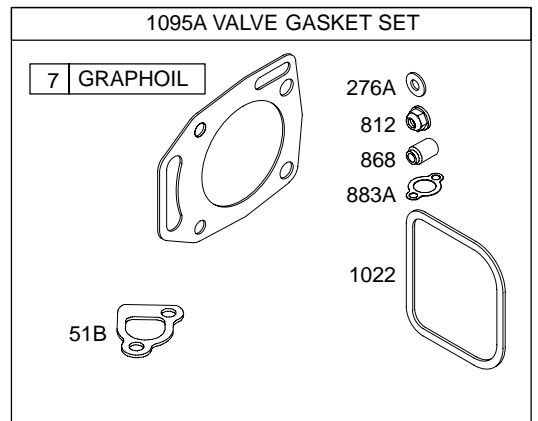
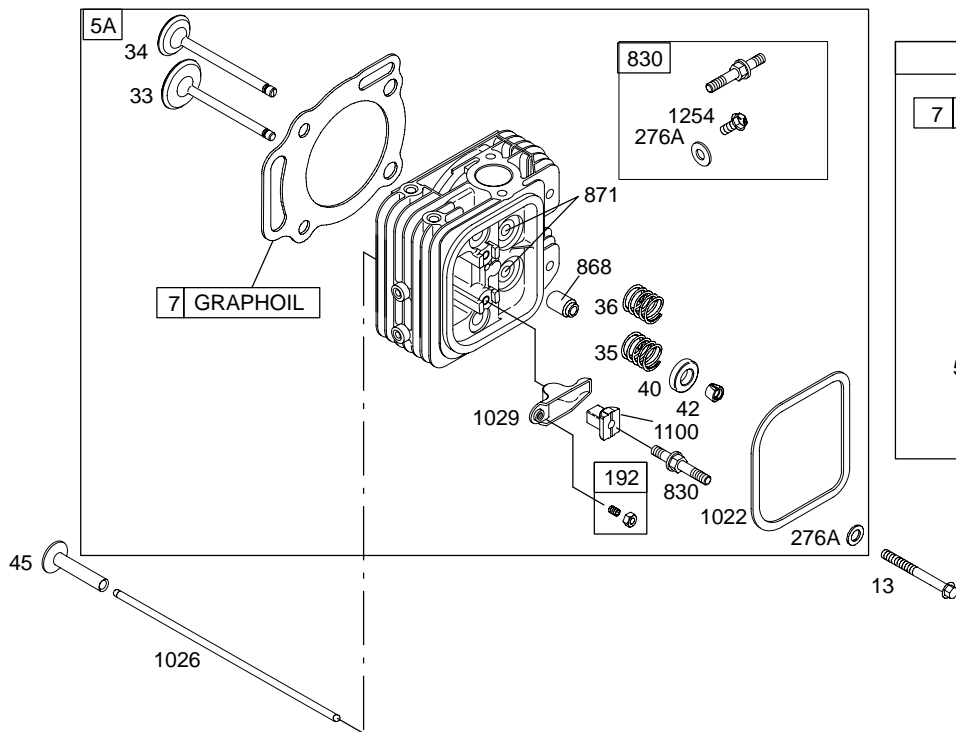
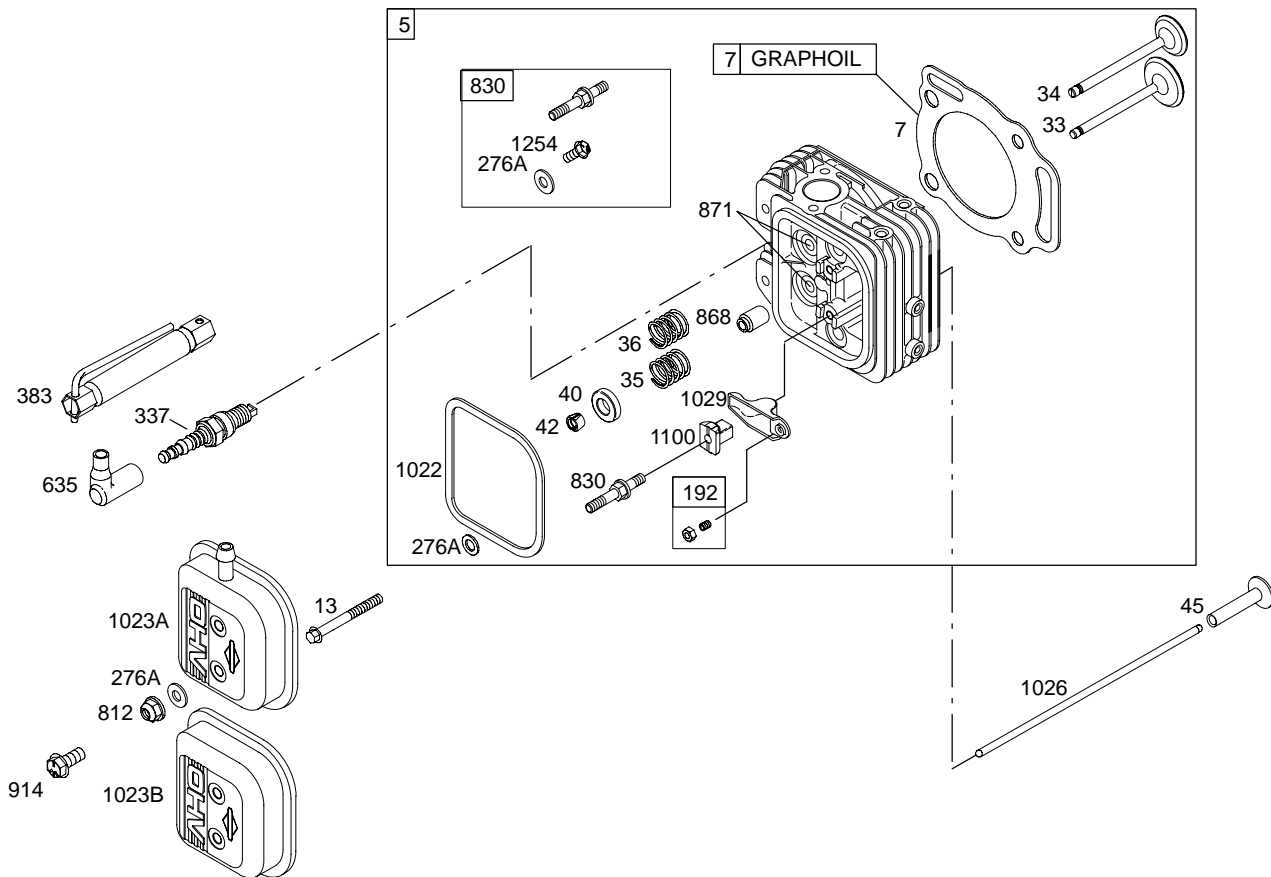


Illustrations cover a range of engines. Parts shown without corresponding text may not be used on your specific engine.
 5360-2 Assemblies include all parts shown in frames. 01/04/2005



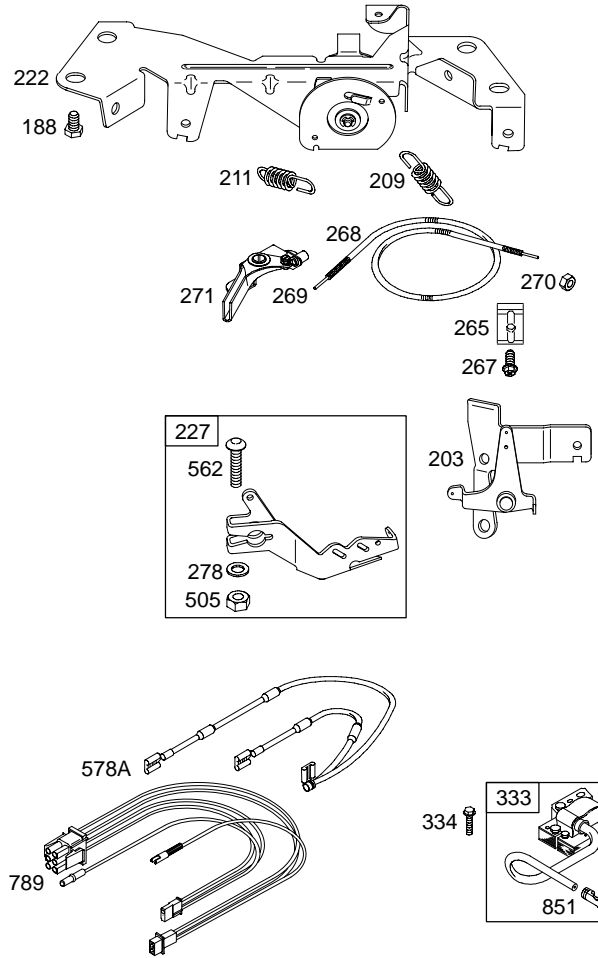
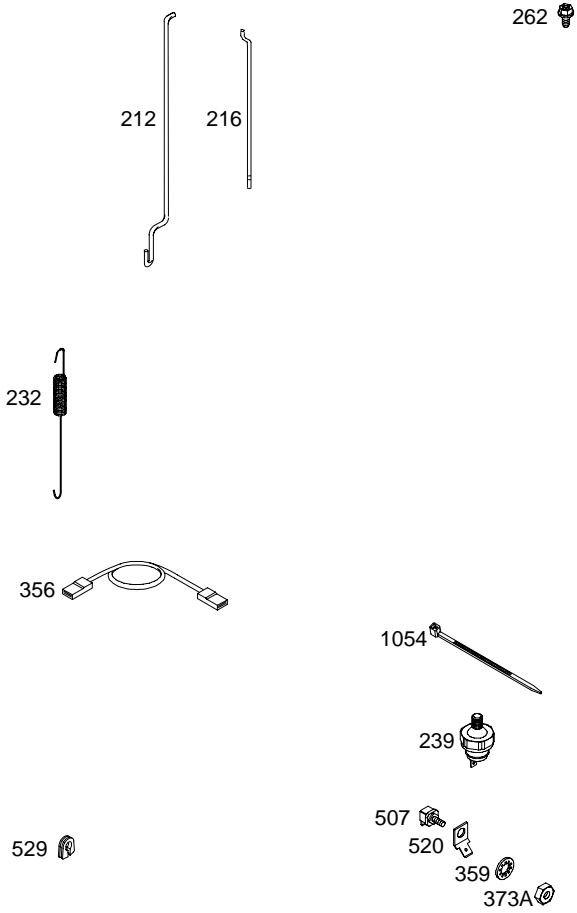


Illustrations cover a range of engines. Parts shown without corresponding text may not be used on your specific engine.
 5360-4 Assemblies include all parts shown in frames. 01/04/2005



Illustrations cover a range of engines. Parts shown without corresponding text may not be used on your specific engine.
 5360-5 Assemblies include all parts shown in frames. 01/04/2005

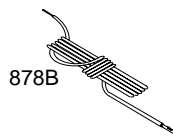
356700

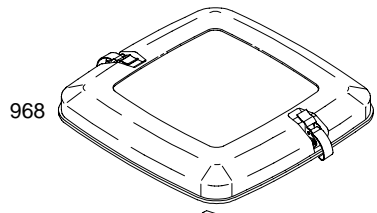


	DC ONLY	10 – 16 AMP	20 AMP
	474A	474D	474E
	877A	877C	877D
	578	578	578
	526A 501A	526 501	526B 501B

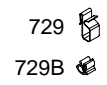
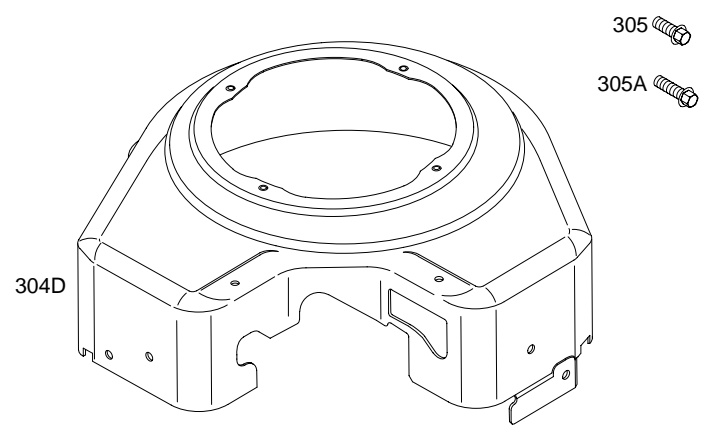
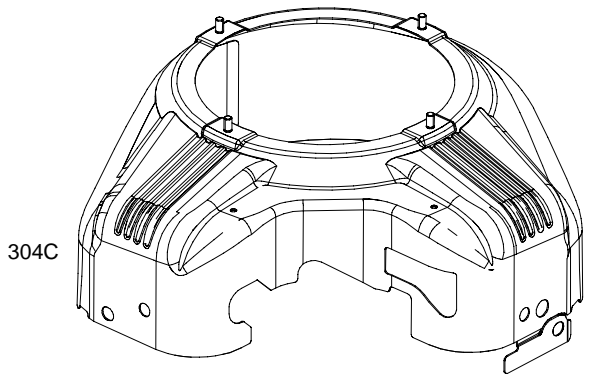
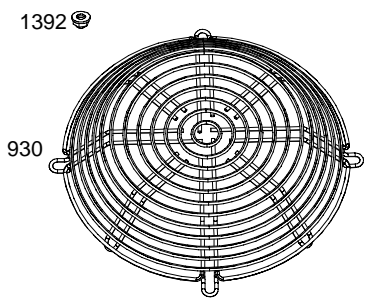
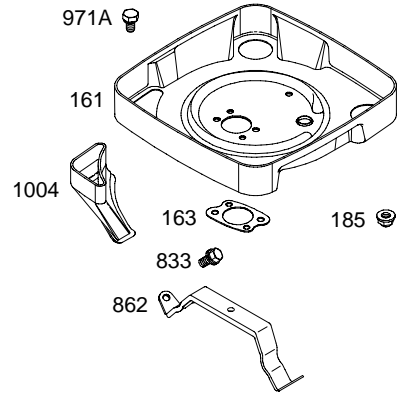
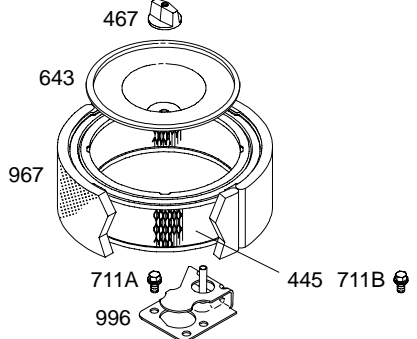
NOTE: All stators use a No. 1119 mounting screw.

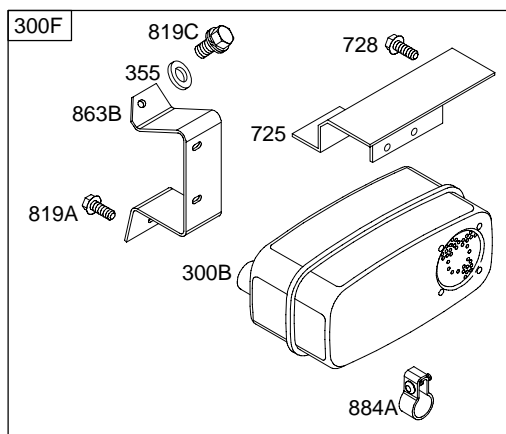
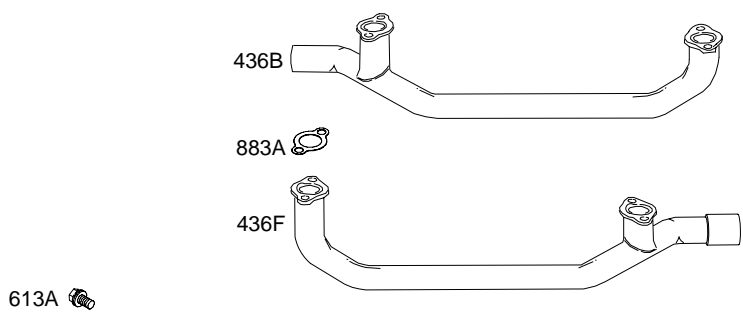
NOTE: The proper flywheel part number and/or the alternator magnet size will determine the alternator type or output. See repair instruction manual for additional information.

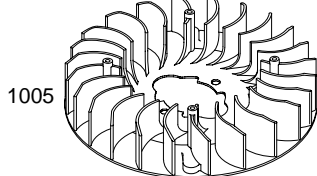
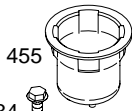
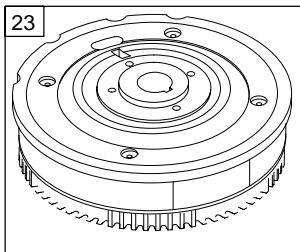
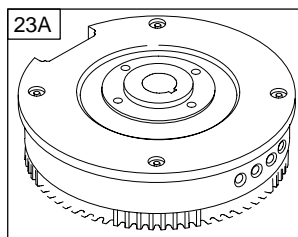
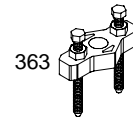
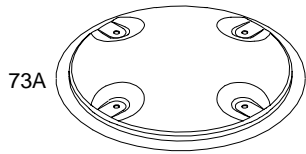


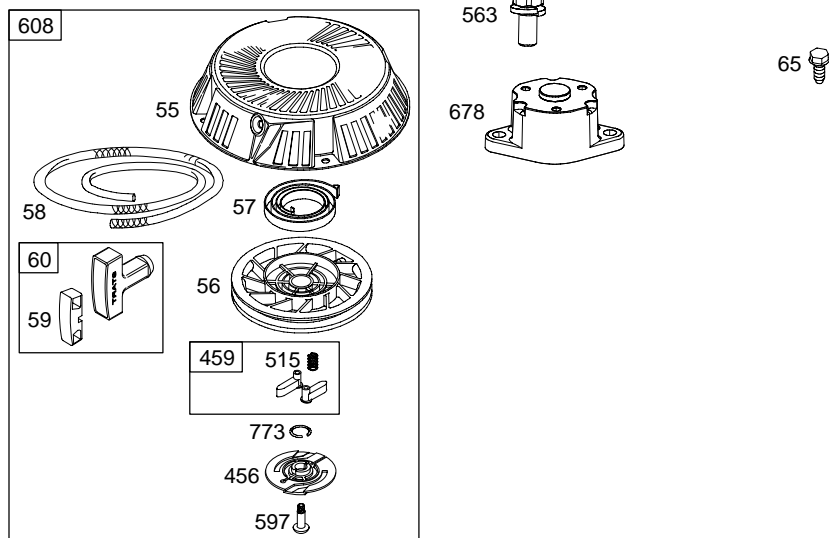


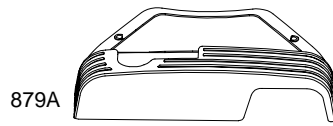
1036 EMISSION LABEL



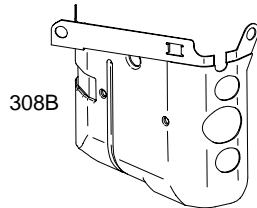
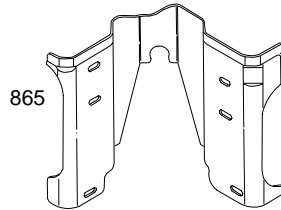
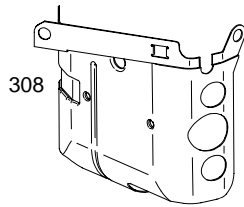




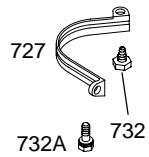
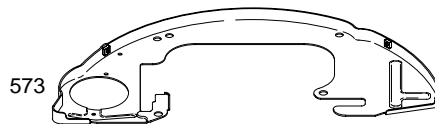
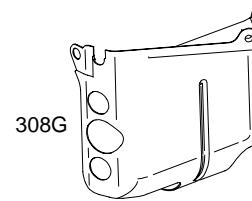
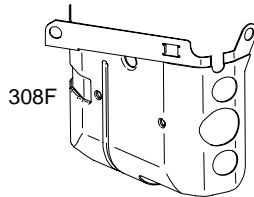




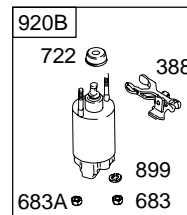
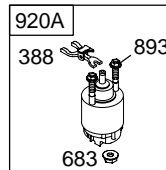
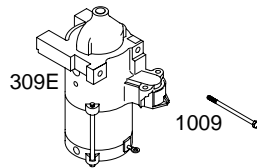
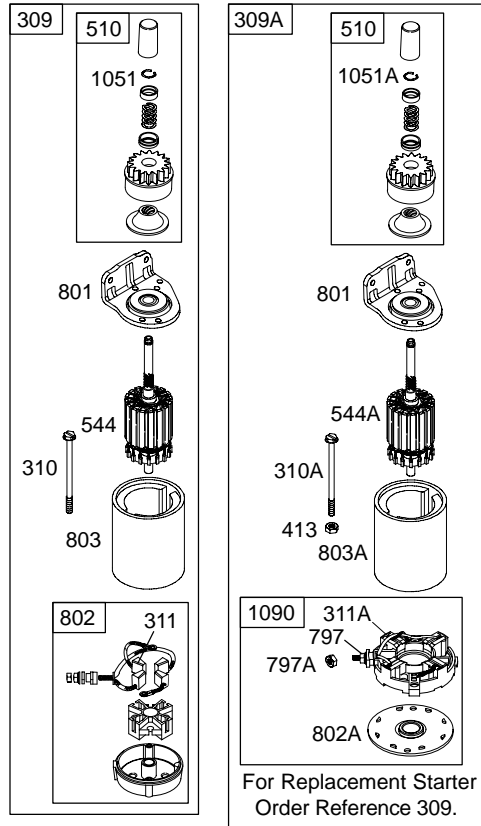
506 



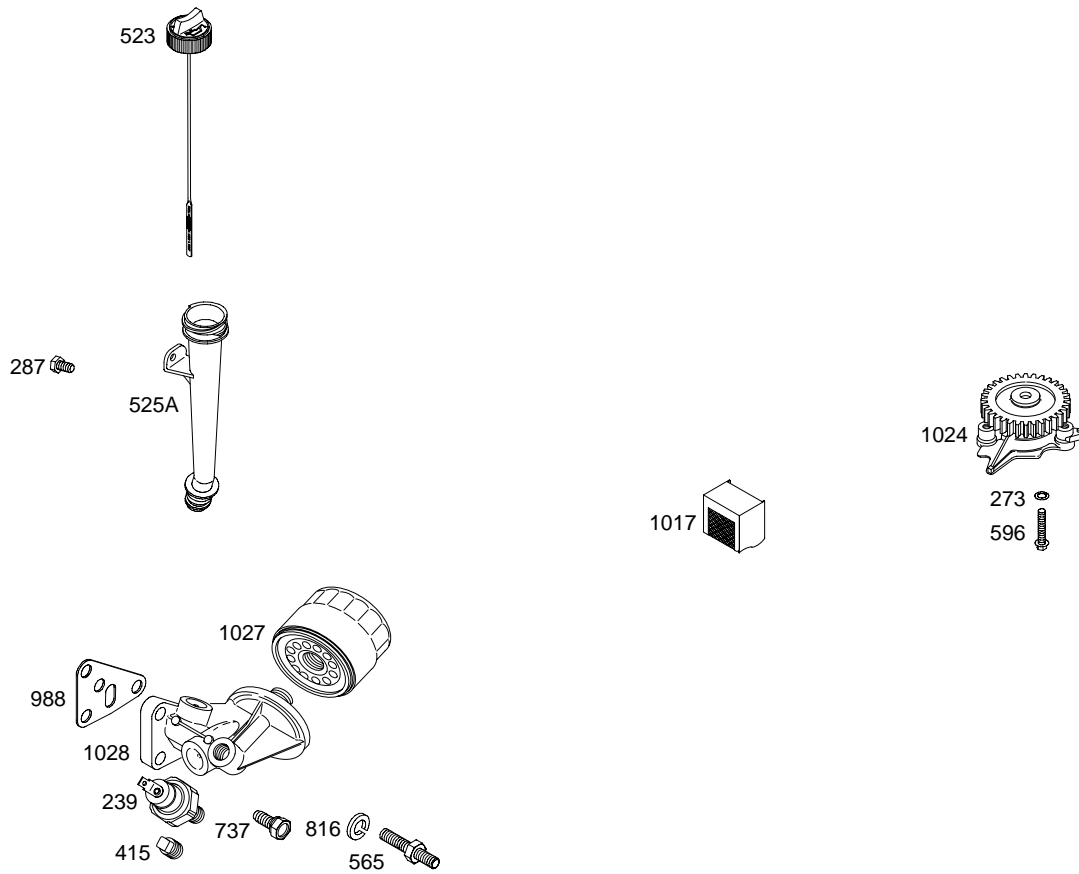
638A 



697 



Illustrations cover a range of engines. Parts shown without corresponding text may not be used on your specific engine.



356700

REF. NO.	PART NO.	DESCRIPTION	REF. NO.	PART NO.	DESCRIPTION	REF. NO.	PART NO.	DESCRIPTION
1	692545	Cylinder Assembly ———— Note ———— 693035 Cylinder Assembly Used on Type No(s). 0112.	23A	809236	Flywheel (Steel Ring Gear) ———— Note ———— 841050 Flywheel (Steel Ring Gear) Used on Type No(s). 0110.	55	691568	Housing—Rewind Starter
2	808534	Kit—Bushing/Seal (Magneto Side)	25A	808326	Piston Assembly (Standard) ———— Note ———— 808337 Piston Assembly (.020" Oversize)	56	692085	Pulley—Starter
3	★805101	Seal—Oil (Magneto Side)	26A	807889	Ring Set (Standard) ———— Note ———— 807995 Ring Set (.020" Oversize)	57	692086	Spring—Rewind Starter
4	808846	Sump—Engine	27	690683	Lock—Piston Pin	58	66574	Rope—Starter
5	809185	Head—Cylinder (Cylinder 1)	28A	807886	Pin—Piston	59	805957	Insert—Grip
5A	809186	Head—Cylinder (Cylinder 2)	29	807900	Rod—Connecting (Standard) ———— Note ———— 807803 Rod—Connecting (.020" Undersize)	60	808167	Grip—Starter Rope
7	★△690888	Gasket—Cylinder Head (Graphoil)	32	690698	Screw (Connecting Rod)	65	690341	Screw (Rewind Starter)
8	808988	Breather Assembly	33	807681	Valve—Exhaust	72	●806480	Tube—Jet
9	★809094	Gasket—Breather	34	807680	Valve—Intake	73A	841440	Screen—Rotating (Used After Code Date 04011800). ———— Note ———— 807111 Screen—Rotating (Used Before Code Date 04011900). 841662 Screen—Rotating Used on Type No(s). 0116.
10	690751	Screw (Breather Assembly)	35	692084	Spring—Valve (Intake)	74	841441	Screw (Rotating Screen) (Used After Code Date 04011800). ———— Note ———— 807112 Screw (Rotating Screen) (Used Before Code Date 04011900).
11	806083	Tube—Breather	36	692084	Spring—Valve (Exhaust)	94	●808374	Kit—Idle Mixture
11B	841017	Tube—Breather Used on Type No(s). 0117.	40	692058	Retainer—Valve	95	690728	Screw (Throttle Valve)
11C	841018	Tube—Breather Used on Type No(s). 0117.	42	807683	Keeper—Valve	97A	808375	Shaft—Throttle
11D	841019	Tube—Breather Used on Type No(s). 0117.	45	690977	Tappet—Valve	98	807705	Kit—Idle Speed
12	★691684	Gasket—Crankcase	46	691557	Camshaft	104	●690739	Pin—Float Hinge
13	692059	Screw (Cylinder Head) (86mm Long)	50B	690754	Manifold—Intake	105	●807706	Valve—Float Needle
15	690946	Plug—Oil Drain (Square Head)	51	691694	Gasket—Intake (Manifold/Carburetor Spacer)	108	690729	Valve—Choke
15A	691680	Plug—Oil Drain Used on Type No(s). 0117.	51B	★△692035	Gasket—Intake (Manifold/Heads)	109	807711	Shaft—Choke
16B	809807	Crankshaft	54	690676	Screw (Intake Manifold)	117	●806471	Jet—Main (Standard)
20	★805049	Seal—Oil (PTO Side)				118A	807907	Jet—Main (High Altitude)
22	807362	Screw (Crankcase Cover/Sump)						
23	841728	Flywheel Used on Type No(s). 0117.						

★ Included in Engine Gasket Set—Ref. No. 358.

● Included in Carburetor Overhaul Kit—Ref. No. 121.

◆ Included in Carburetor Gasket Set—Ref. No. 977.

△ Included in Valve Gasket Set—Ref. No. 1095.

Illustrations cover a range of engines. Parts shown without corresponding text may not be used on your specific engine.

REF. NO.	PART NO.	DESCRIPTION	REF. NO.	PART NO.	DESCRIPTION	REF. NO.	PART NO.	DESCRIPTION
121	808718	Kit-Carburetor Overhaul	209	692070	Spring-Governor (Red)	267	841552	Screw (Casing Clamp) (Used After Code Date 04050400).
122B	690748	Spacer-Carburetor			———— Note ————			———— Note ————
125	808725	Carburetor			692071 Spring-Governor			692083 Screw (Casing Clamp) (Used Before Code Date 04050500).
127	●690730	Plug-Welch (9mm Diameter)			Used on Type No(s). 0112, 0117, 0118, 0119.			
127A	●690731	Plug-Welch (6.9mm Diameter)			690710 Spring-Governor	268	691025	Casing-Control Wire (Cut To Required Length)
130	806470	Valve-Throttle			Used on Type No(s). 0113.	269	691026	Wire-Control (Cut To Required Length)
133	807710	Float-Carburetor			692072 Spring-Governor			
137	◆●806481	Gasket-Float Bowl			Used on Type No(s). 0110.	270	691027	Nut (Control Wire Casing)
142	●691555	Nozzle-Carburetor (Standard)	211	692069	Spring-Governed Idle	271	691028	Lever-Control
146	691639	Key-Timing	212	690712	Link-Throttle	273	★690681	Seal-O Ring (Oil Pump)
151	841185	Stud (Exhaust Manifold) Used on Type No(s). 0115.	216	690871	Link-Choke			276 690704 Washer-Sealing (Crankcase Cover/Sump)
161	691561	Base-Air Cleaner (Metal)			———— Note ————			———— Note ————
163	★692081	Gasket-Air Cleaner (Used With Metal Air Cleaner Base)			690705 Link-Choke Used on Type No(s). 0115.			807085 Washer-Sealing (Cylinder Head) (Used After Code Date 01120200).
185	690939	Nut (Air Cleaner Base)	222	808454	Bracket-Control	276A	★△691766	Washer-Sealing (Used Before Code Date 01120300).
187	841858	Line-Fuel (Used After Code Date 04101700).	227	690236	Lever-Governor Control			276B ◆●806476 Washer-Sealing (Float Bowl)
		———— Note ————	231	690728	Screw (Choke Valve)			276C ◆●806477 Washer-Sealing (Carburetor Plug)
		691050 Line-Fuel (Cut To Required Length) (Used Before Code Date 04101800).	232	692073	Spring-Governor Link	278	842122	Washer (Governor Control Lever)
187A	296004	Line-Fuel Used on Type No(s). 0117, 0118, 0119.	239	690233	Switch-Oil Pressure (Oil GARD Only)			287 807084 Screw (Dipstick Tube)
		———— Note ————			———— Note ————			———— Note ————
188	692056	Screw (Control Bracket)	240A	691035	Filter-Fuel (Includes Paper Element With A 40 Micron Rating)			692062 Screw (Dipstick Tube)
192	807623	Adjuster-Rocker Arm			697049 Switch-Oil Pressure Used on Type No(s). 0115.			
203	808753	Crank-Bell			254 807713 Drain-Carburetor Bowl			
		———— Note ————			262 692083 Screw (Rod Bracket)			
		690923 Crank-Bell Used on Type No(s). 0115.			265 691024 Clamp-Casing			

★ Included in Engine Gasket Set-Ref. No. 358.

● Included in Carburetor Overhaul Kit-Ref. No. 121.

◆ Included in Carburetor Gasket Set-Ref. No. 977.

△ Included in Valve Gasket Set-Ref. No. 1095.

Illustrations cover a range of engines. Parts shown without corresponding text may not be used on your specific engine.

356700

REF. NO.	PART NO.	DESCRIPTION	REF. NO.	PART NO.	DESCRIPTION	REF. NO.	PART NO.	DESCRIPTION
300B	498984	Muffler Used on Type No(s). 0116.	310	496880	Screw (Starter Motor)	455	841794	Cup-Flywheel
300F	807752	Muffler Used on Type No(s). 0116.	310A	690323	Screw (Starter Motor)	456	691529	Plate-Pawl Friction
304C	841732	Housing-Blower Used on Type No(s). 0116.	311	496887	Brush Set	459	808166	Pawl-Ratchet
304D	841397	Housing-Blower (Black)	311A	497608	Brush Set	467	691985	Knob-Air Cleaner
		Note	332	690887	Nut (Flywheel)	474A	696578	Alternator (DC Only) Used on Type No(s). 0117.
	841398	Housing-Blower (Red)	333	492341	Armature-Magneto	474D	696458	Alternator (10-16 Amp Regulated)
	809178	Housing-Blower Used on Type No(s). 0112.	334	692066	Screw (Magneto Armature)	474E	696579	Alternator (20 Amp) Used on Type No(s). 0110.
305	692056	Screw (Blower Housing) (14mm)	337	491055	Plug-Spark	501	691185	Regulator (3 Wire)(16 Amp)
305A	692062	Screw (Blower Housing)	355	690237	Washer (Muffler Bracket)	501A	808877	Regulator Used on Type No(s). 0112.
308	841232	Cover-Cylinder Head (Cylinder 1) Used on Type No(s). 0115, 0116, 0117, 0118, 0119.	356	807063	Wire-Stop Used on Type No(s). 0113, 0119.	501B	691573	Regulator (3 Wire)(20 Amp) Used on Type No(s). 0110.
308B	806547	Cover-Cylinder Head (Cylinder 1)	357	691483	Key-Drive Pulley	505	690238	Nut (Governor Control Lever)
308F	841182	Cover-Cylinder Head (Cylinder 2) Used on Type No(s). 0115, 0116, 0117, 0118, 0119.	358	808389	Gasket Set-Engine	506	807120	Screw (Carburetor Cover)
308G	806546	Cover-Cylinder Head (Cylinder 2)	359	691077	Washer (Ground Terminal)	507	691972	Insulator
309	691564	Motor-Starter	363	19203	Puller-Flywheel	510	496881	Drive-Starter
309A		Motor-Starter (For Replacement Starter Motor, Order Reference 309)	373A	691612	Nut (Ground Terminal)	515	691528	Spring-Pawl
309E	808726	Motor-Starter Used on Type No(s). 0112.	377	808095	Key-Woodruff	520	691084	Terminal-Ground (Brass)
			383	19374	Wrench-Spark Plug	523	692101	Dipstick
			385	807084	Screw (Fuel Pump)	525A	692093	Tube-Dipstick
			387	808656	Pump-Fuel	526	692067	Screw (Regulator)
			388	820799	Lever-Pinion Drive	526A	690717	Screw (Regulator)
			413	693587	Nut (Starter Motor)	526B	691547	Screw (Regulator) Used on Type No(s). 0110.
			415	690283	Plug (Square Head)	527	690423	Clamp-Tube
			436B	691502	Manifold-Exhaust			
			436F	805609	Manifold-Exhaust			
			437	691902	Screw (Exhaust Manifold)			
			439	*692154	Seal-O Ring (Crankcase Cover/Sump)			
			445	394018	Filter-Air Cleaner Cartridge (Round)			

★ Included in Engine Gasket Set-Ref. No. 358.

● Included in Carburetor Overhaul Kit-Ref. No. 121.

◆ Included in Carburetor Gasket Set-Ref. No. 977.

△ Included in Valve Gasket Set-Ref. No. 1095.

Illustrations cover a range of engines. Parts shown without corresponding text may not be used on your specific engine.

REF. NO.	PART NO.	DESCRIPTION	REF. NO.	PART NO.	DESCRIPTION	REF. NO.	PART NO.	DESCRIPTION
529	690744	Grommet	635	692076	Boot-Spark Plug	737	690679	Screw (Oil Filter Adapter)
544	690855	Armature-Starter	637	●690735	Washer (Throttle Shaft)	741	691530	Gear-Timing
544A	693548	Armature-Starter	638A	691551	Washer (Cylinder Head Cover) (Used Before Code Date 03110100).	742	●805578	Retainer-E Ring
552	690701	Bushing-Governor Crank	643	692079	Retainer-Air Filter	773	690875	Retainer
552A	806686	Bushing-Governor Crank	654	690939	Nut (Carburetor)	788	691559	Bracket-Fuel Pump
562	690239	Bolt (Governor Control Lever)	668B	●690737	Spacer	789	698332	Harness-Wiring Used on Type No(s). 0113.
563	841735	Screw (Debris Screen Guard)	678	841730	Spacer-Rewind Used on Type No(s). 0116.	797	693167	Nut (Brush Retainer)
565	690682	Stud (Oil Filter Adapter)	683	820813	Nut (Starter Solenoid)	797A	691029	Nut (Brush Retainer)
572	690686	Baffle-Breather	691	★690680	Seal-Governor Shaft	801	808778	Cap-Drive
573	841310	Plate-Back Note 693045 Plate-Back Used on Type No(s). 0112.	697	692062	Screw (Drive Cap)	802	496813	Cap-End
578	692306	Wire Assembly	711A	807084	Screw (Carburetor Shield)	802A	691286	Cap-End
578A	692319	Wire Assembly (With Diodes)	711B	807163	Screw (Carburetor Shield)	803	690854	Housing-Starter
596	691492	Screw (Oil Pump)	718	806469	Pin-Locating	803A	693547	Housing-Starter
597	690876	Screw (Pawl Friction Plate)	722	820801	Seal-Plunger	807	●690733	Spacer-Throttle
601	691638	Clamp-Hose (Silver)	725	806102	Shield-Heat	812	△692055	Nut (Rocker Cover)
601B	691038	Clamp-Hose (Silver)	727	841313	Cover-Starter Drive (Black)	816	690706	Washer (Oil Filter Adapter)
608	841729	Starter-Rewind Used on Type No(s). 0116.	728	690297	Screw (Heat Shield)	819A	690297	Screw (Muffler Bracket)
613	691902	Screw (Muffler)	729	807136	Clip-Wire (Black)(Spring Steel)	819C	692537	Screw (Muffler Bracket)
613A	690297	Screw (Muffler)	729B	690586	Clip-Wire (Snap In)(Nylon)	830	809157	Stud-Rocker Arm
615	691550	Retainer-Governor Shaft	732	690688	Screw (Starter Drive Cover)	833	841233	Screw (Air Cleaner Mounting Strap/Stud)
616	806685	Crank-Governor	732A	841233	Screw (Starter Drive Cover)	851	493880	Terminal-Spark Plug
628A	806660	Screw (Fuel Pump Bracket)				862	692542	Strap/Stud-Air Cleaner Mounting
633	◆●690738	Seal-Choke/Throttle Shaft				863B	805610	Bracket-Muffler
						865	807119	Cover-Air Guide (Black)
						868	★△691963	Seal-Valve
						871	692057	Bushing-Valve Guide
						877A	393814	Wire/Connector- Alternator
						877C	399916	Wire/Connector- Alternator
						877D	698092	Wire/Connector- Alternator

★ Included in Engine Gasket Set-Ref. No. 358.

● Included in Carburetor Overhaul Kit-Ref. No. 121.

◆ Included in Carburetor Gasket Set-Ref. No. 977.

△ Included in Valve Gasket Set-Ref. No. 1095.

Illustrations cover a range of engines. Parts shown without corresponding text may not be used on your specific engine.

356700

REF. NO.	PART NO.	DESCRIPTION	REF. NO.	PART NO.	DESCRIPTION	REF. NO.	PART NO.	DESCRIPTION
878B	691362	Harness–Alternator Used on Type No(s). 0110.	975	807715	Bowl–Float	1027	492932	Filter–Oil (2 1/4" Long)
879A	841857	Cover–Carburetor (Used After Code Date 04101700). ———— Note ———— 807118 Cover– Carburetor (Used Before Code Date 04101800).	977	808325	Gasket Set–Carburetor	1028	808235	Adapter–Oil Filter
883A	★△691613	Gasket–Exhaust	987	◆●691548	Seal–Throttle Shaft	1029	807323	Arm–Rocker
884A	691956	Clamp–Muffler	988	★692063	Gasket–Oil Adapter	1036	841640	Label–Emissions (Used After Code Date 04063000). ———— Note ———— 806887 Label– Emissions (Used Before Code Date 04070100).
893	820805	Nut (Starter Solenoid)	996	691577	Shield–Carburetor	1037	●807717	Ball–Choke Locator
899	820811	Washer (Starter Solenoid)	1004	807121	Duct–Air (Used With Metal Air Cleaner Base)	1051	●690736	Ring–Retaining
914	807084	Screw (Rocker Cover)	1005	841439	Fan–Flywheel (Used After Code Date 04011800). ———— Note ———— 809179 Fan–Flywheel (Used Before Code Date 04011900).	1051A	691124	Ring–Retaining
918	393815	Hose–Vacuum (Cut To Required Length)	1006	690452	Retainer–Fan	1054	280275	Tie–Cable
920A	691656	Solenoid–Starter	1009	806474	Screw (Starter Motor)	1058	275071	Operator's Manual
920B	825418	Solenoid–Starter	1011	692929	Tube–Vent (Cut To Required Length)	1090	691293	Retainer–Brush
930	841490	Guard–Rewind	1017	690878	Screen–Oil Pump	1091	●691515	Cap–Limiter
934	691058	Screw (Fan Retainer)	1019	808036	Kit–Label	1095A	808391	Gasket Set–Valve
947	806472	Solenoid–Fuel	1022	★△806039	Gasket–Rocker Cover	1100	690973	Pivot–Rocker Arm
950	691511	Screw–Float Bowl	1023A	691558	Cover–Rocker (Cylinder 1) (With Fuel Pump)	1119	691552	Screw (Alternator)
955	807714	Plug–Carburetor	1023B	691494	Cover–Rocker	1130	690746	Stud (Intake Manifold)
967	272490	Filter–Pre Cleaner (Round)	1024	693186	Pump–Oil	1135	806497	Washer (Crankcase Cover/Sump)
968	692097	Cover–Air Cleaner (Used With Metal Air Cleaner Base)	1025	690689	Spool–Governor	1176	842067	Nut (Exhaust Manifold)
971A	807084	Screw (Air Cleaner Base to Carburetor)	1026	691836	Rod–Push (Intake)(Steel) ———— Note ———— 691758 Rod–Push (Exhaust)(Aluminum)	1254	807084	Screw (Rocker Cover Stud)
						1330	272144	Repair Manual
						1392	690939	Nut (Rewind Guard)

★ Included in Engine Gasket Set–Ref. No. 358.

● Included in Carburetor Overhaul Kit–Ref. No. 121.

◆ Included in Carburetor Gasket Set–Ref. No. 977.

△ Included in Valve Gasket Set–Ref. No. 1095.

Illustrations cover a range of engines. Parts shown without corresponding text may not be used on your specific engine.