

357700

Illustrated Parts List

Model Series

357700

TYPE NUMBERS
0113.

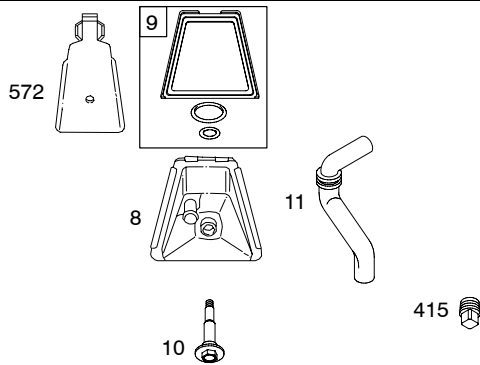
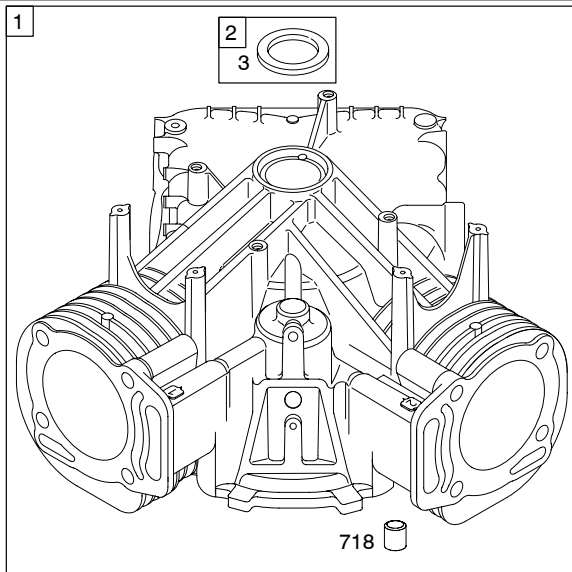
TABLE OF CONTENTS

Air Cleaner	8
Alternator	7
Blower Housing	10
Cams	4
Carburetor	5
Controls	7
Crankcase Cover/Sump	2
Crankshaft	4
Cylinder	2
Electric Starter	10
Flywheel Group	9
Governor Spring	7
Head	6
Ignition	7
Intake Manifolds	4
Kit/Gaskets-Carburetor	3
Kit/Gaskets-Engine	3
Kit/Gaskets-Valve	3
Oil Group	11
Piston Group	2
Shrouds	11
Valves	6

PRINTED IN U.S.A.



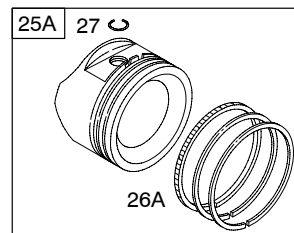
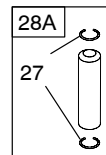
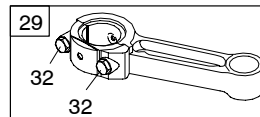
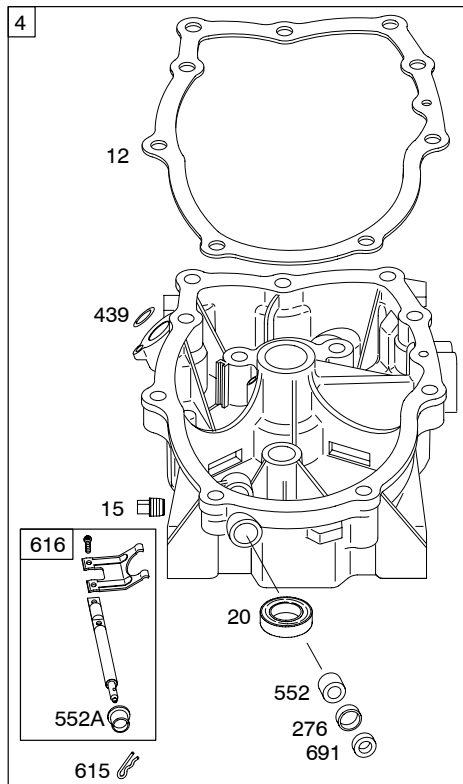
COPYRIGHT by BRIGGS & STRATTON CORPORATION
All rights reserved. No part of this material may be reproduced or transmitted, in any form or by any means, electronic or mechanical, including photocopying, recording or by any information storage and retrieval system, without permission in writing from Briggs & Stratton Corporation.

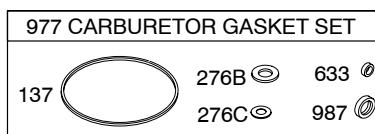
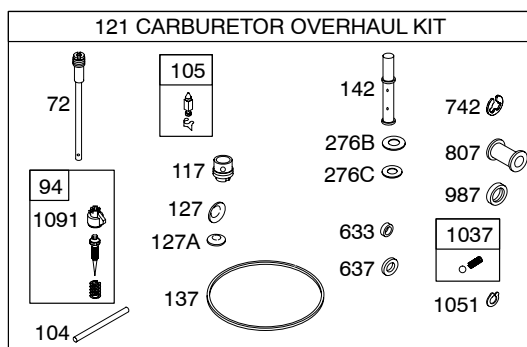
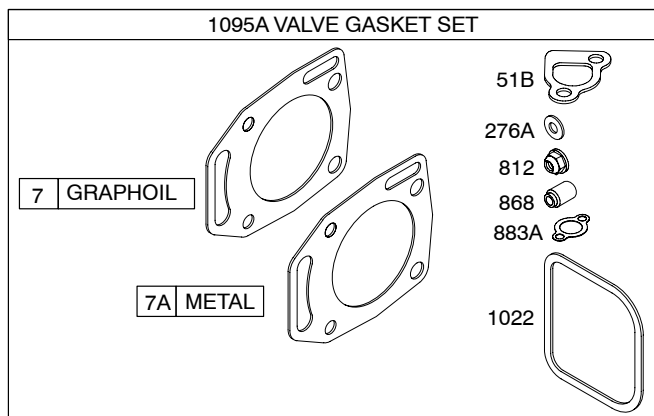
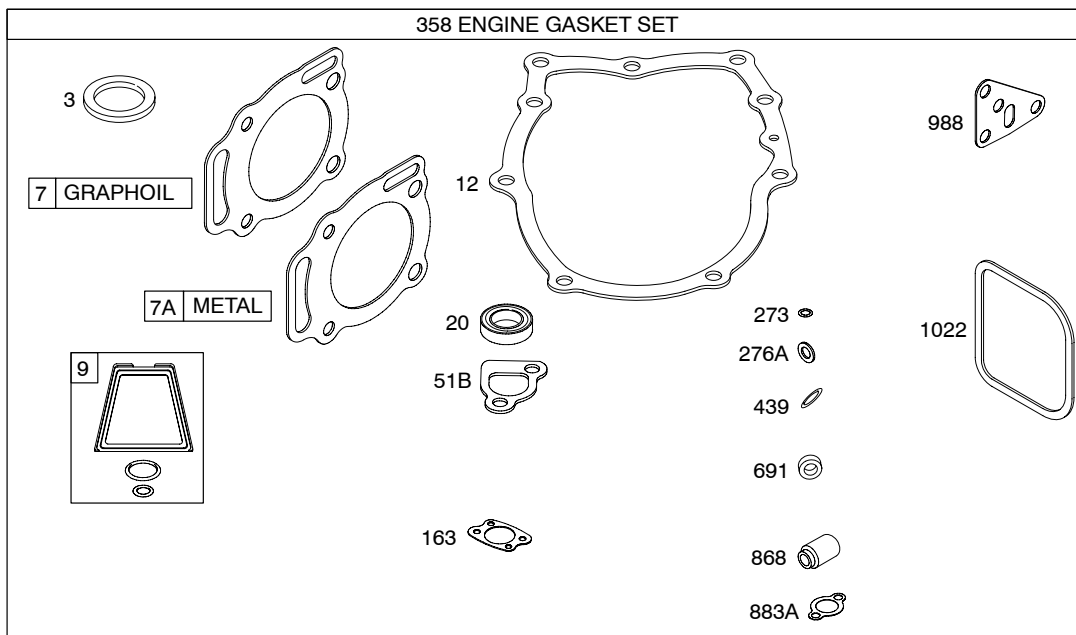


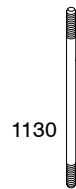
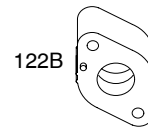
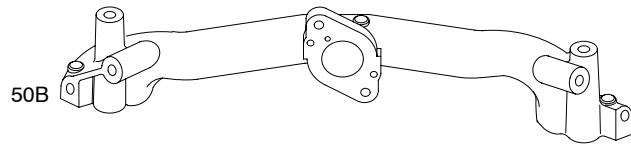
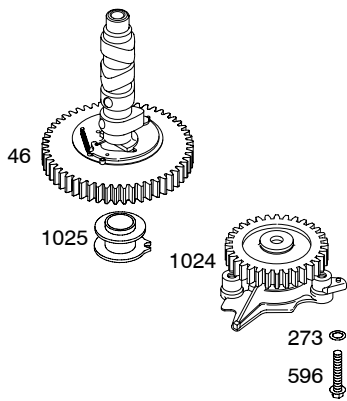
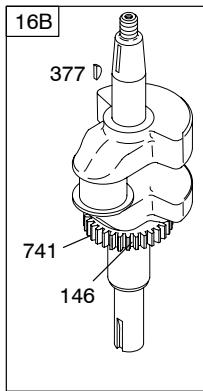
1019 LABEL KIT

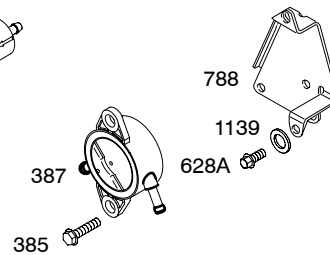
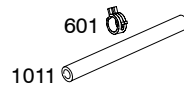
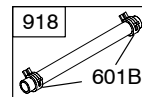
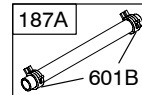
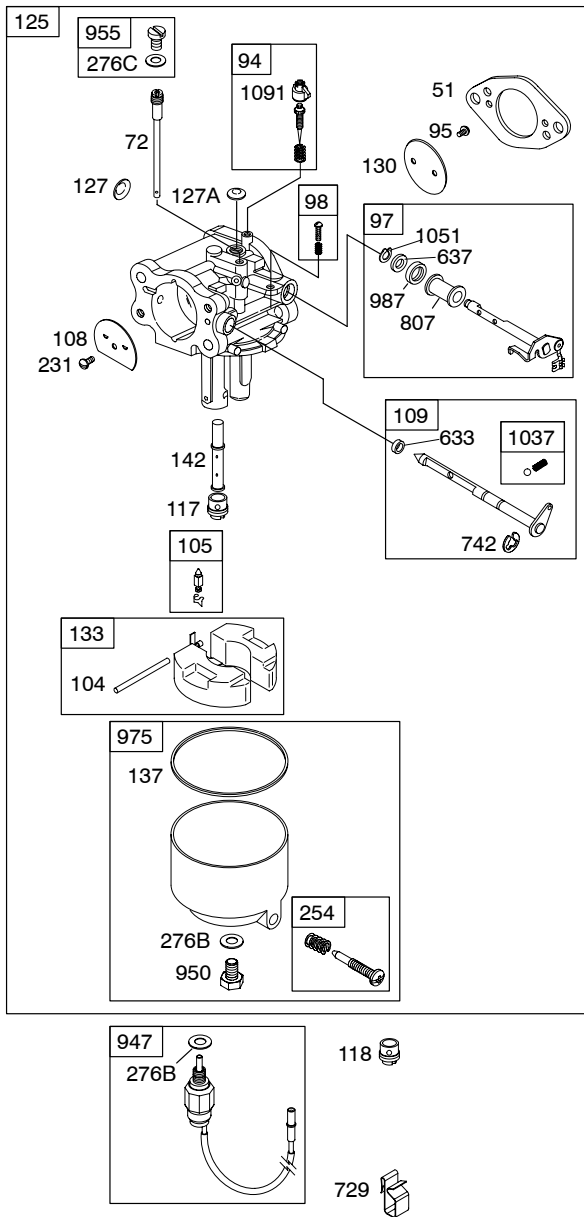
1058 OPERATOR'S MANUAL

1330 REPAIR MANUAL

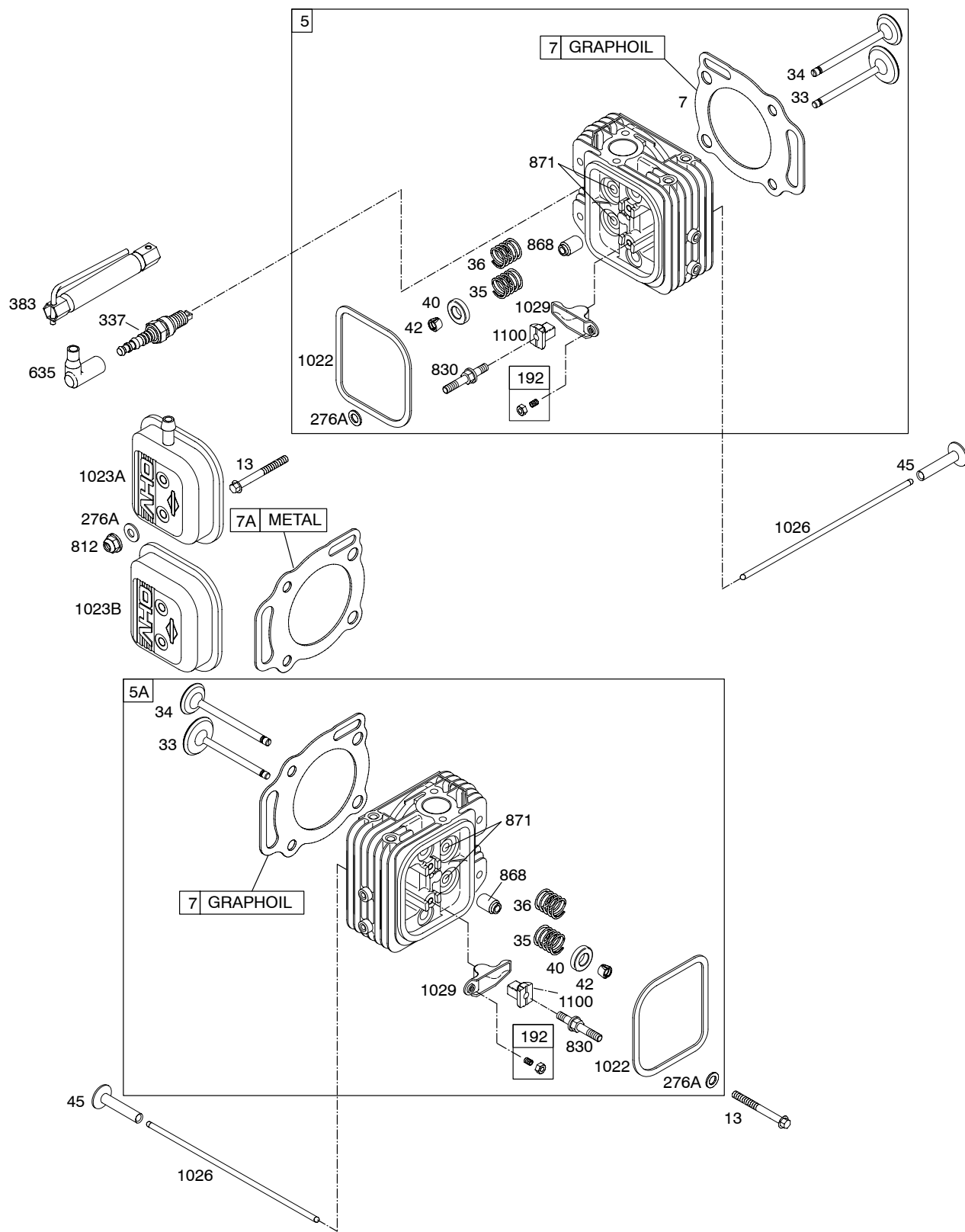




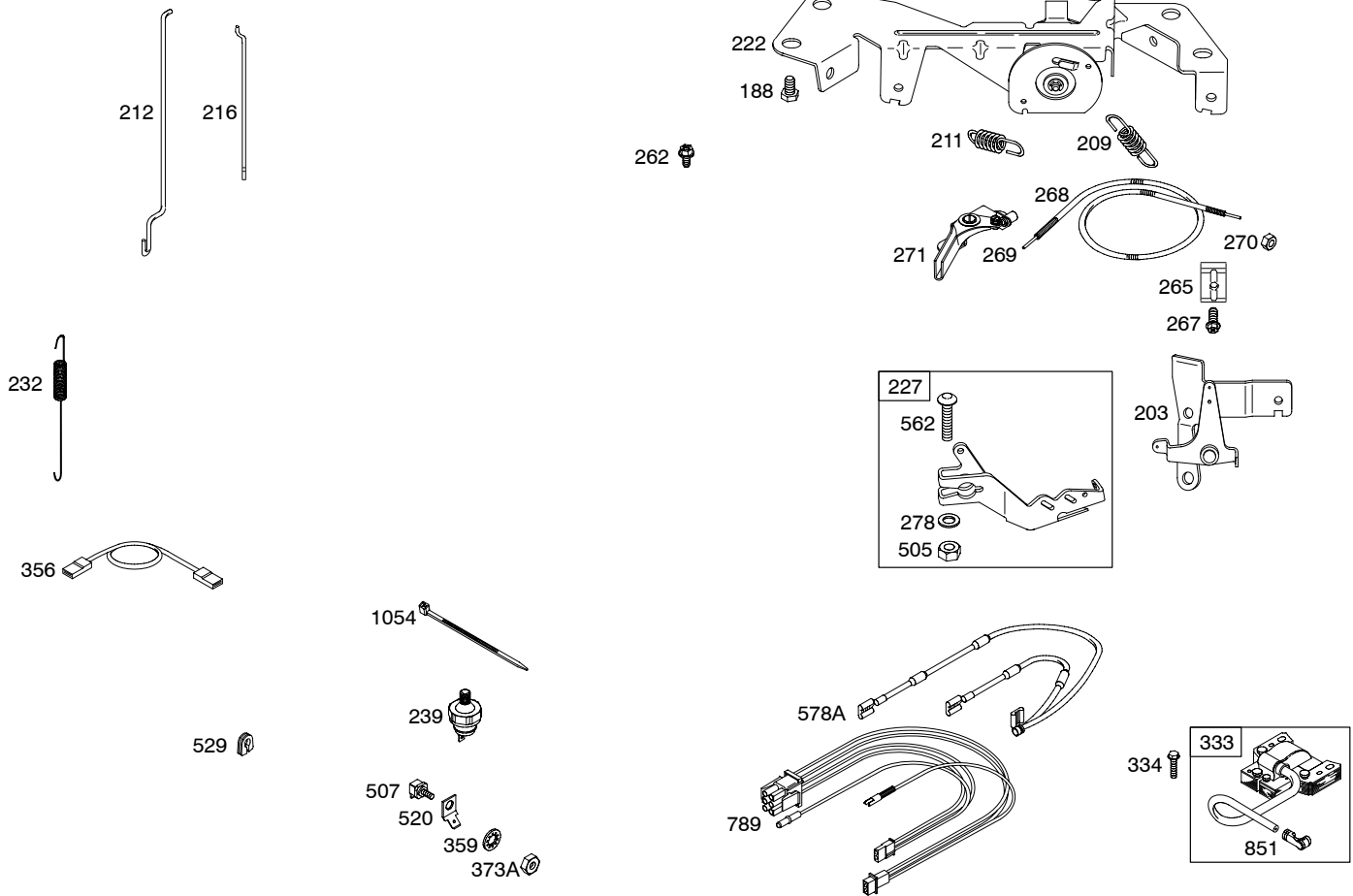





Illustrations cover a range of engines. Parts shown without corresponding text may not be used on your specific engine.
 5371-5 Assemblies include all parts shown in frames. 06/01/2004

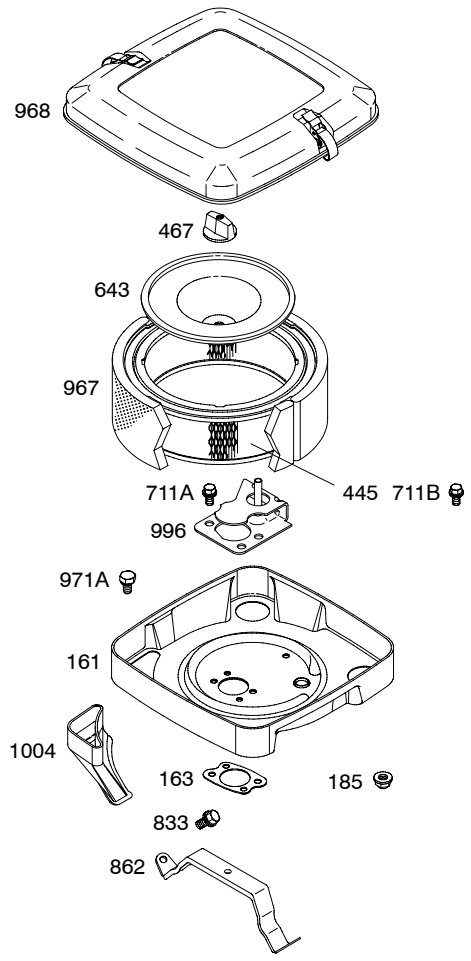


Illustrations cover a range of engines. Parts shown without corresponding text may not be used on your specific engine.
5371-6 Assemblies include all parts shown in frames. **06/01/2004**

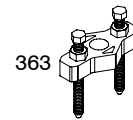
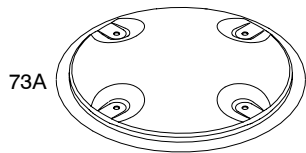


NOTE: All stators use a No. 1119 mounting screw. 

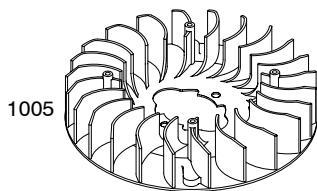
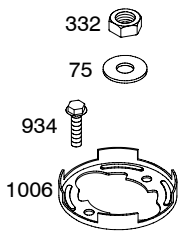
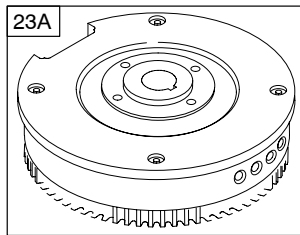
NOTE: The proper flywheel part number and/or the alternator magnet size will determine the alternator type or output. See repair instruction manual for additional information.

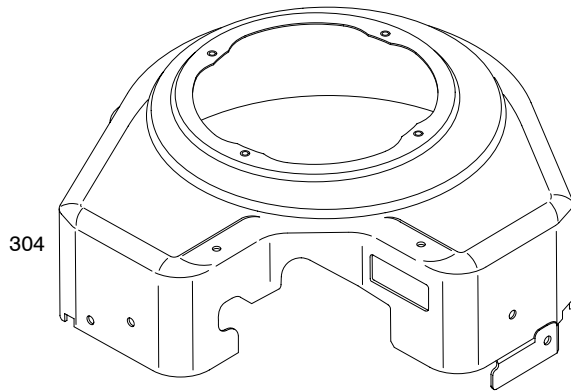


Illustrations cover a range of engines. Parts shown without corresponding text may not be used on your specific engine.
5371-8 Assemblies include all parts shown in frames. 06/01/2004



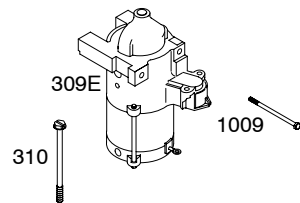
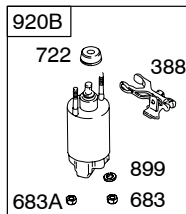
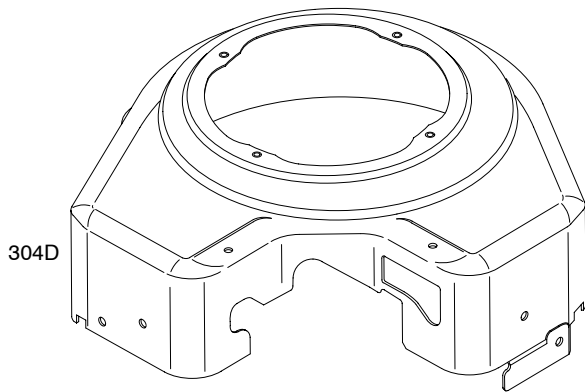
668B

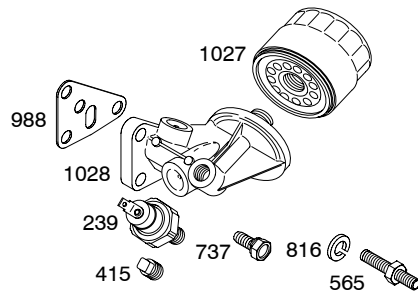
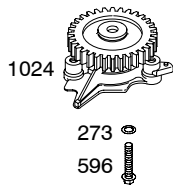
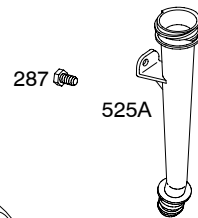
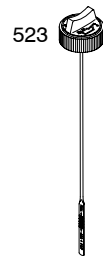
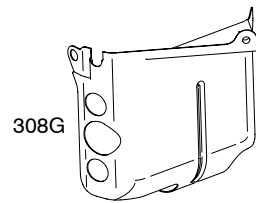
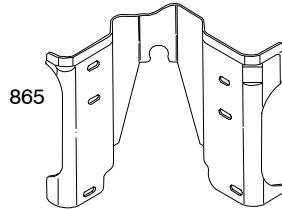
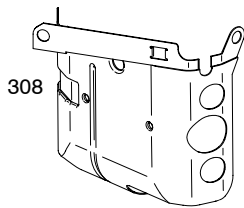
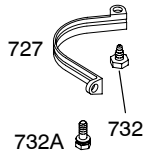
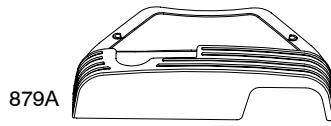
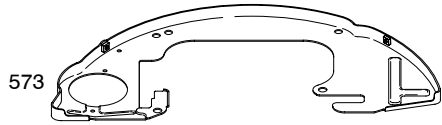




1036 EMISSION LABEL

- 729 
- 729B 





Illustrations cover a range of engines. Parts shown without corresponding text may not be used on your specific engine.
 5371-11 Assemblies include all parts shown in frames. 06/01/2004

357700

REF. NO.	PART NO.	DESCRIPTION	REF. NO.	PART NO.	DESCRIPTION	REF. NO.	PART NO.	DESCRIPTION
1	809180	Cylinder Assembly	26A	807889	Ring Set (Standard) ———— Note ————	74	841441	Screw (Rotating Screen) (Used After Code Date 04011800). ———— Note ————
2	808534	Kit–Bushing/Seal (Magneto Side)						
3	★805101	Seal–Oil (Magneto Side)			807995 Ring Set (.020" Oversize)			
4	808846	Sump–Engine	27	690683	Lock–Piston Pin			807112 Screw (Rotating Screen) (Used Before Code Date 04011900).
5	809185	Head–Cylinder (Cylinder 1)	28A	807886	Pin–Piston			
5A	809186	Head–Cylinder (Cylinder 2)	29	807900	Rod–Connecting (Standard) ———— Note ————	75	691490	Washer (Flywheel)
7	★Δ690888	Gasket–Cylinder Head (Graphoil)			807803 Rod– Connecting (.020" Undersize)	94	●808374	Kit–Idle Mixture
7A	★Δ805653	Gasket–Cylinder Head (Metal)	32	690698	Screw (Connecting Rod)	95	690728	Screw (Throttle Valve)
8	808988	Breather Assembly	33	807681	Valve–Exhaust	97	808375	Shaft–Throttle
9	★809094	Gasket–Breather	34	807680	Valve–Intake	98	807705	Kit–Idle Speed
10	690751	Screw (Breather Assembly)	35	692084	Spring–Valve (Intake)	104	●690739	Pin–Float Hinge
11	806083	Tube–Breather	36	692084	Spring–Valve (Exhaust)	105	●807706	Valve–Float Needle
12	★691684	Gasket–Crankcase	40	692058	Retainer–Valve	108	690729	Valve–Choke
13	692059	Screw (Cylinder Head) (86mm Long)	42	807683	Keeper–Valve	109	807711	Shaft–Choke
15	690946	Plug–Oil Drain (Square Head)	45	690977	Tappet–Valve	117	●806471	Jet–Main (Standard)
16B	809807	Crankshaft	46	691557	Camshaft	118	231780	Jet–Main (High Altitude) ———— Note ————
20	★805049	Seal–Oil (PTO Side)	50B	690754	Manifold–Intake			807907 Jet–Main (High Altitude)
23A	809174	Flywheel (Steel Ring Gear)	51	691694	Gasket–Intake (Manifold/Carburetor Spacer)	121	808718	Kit–Carburetor Overhaul
25A	808326	Piston Assembly (Standard) ———— Note ———— 808336 Piston Assembly (.010" Oversize) 808337 Piston Assembly (.020" Oversize)	51B	★Δ692035	Gasket–Intake (Manifold/Heads)	122B	690748	Spacer–Carburetor
			54	690676	Screw (Intake Manifold)	125	808725	Carburetor
			72	●806480	Tube–Jet	127	●690730	Plug–Welch (9mm Diameter)
			73A	841440	Screen–Rotating (Used After Code Date 04011800). ———— Note ———— 807111 Screen–Rotating (Used Before Code Date 04011900).	127A	●690731	Plug–Welch (6.9mm Diameter)
						130	806470	Valve–Throttle
						133	807710	Float–Carburetor
						137	◆●806481	Gasket–Float Bowl
						142	●691555	Nozzle–Carburetor (Standard)
						146	691639	Key–Timing

★ Included in Engine Gasket Set–Ref. No. 358.

● Included in Carburetor Overhaul Kit–Ref. No. 121.

◆ Included in Carburetor Gasket Set–Ref. No. 977.

Δ Included in Valve Gasket Set–Ref. No. 1095.

Illustrations cover a range of engines. Parts shown without corresponding text may not be used on your specific engine.

REF. NO.	PART NO.	DESCRIPTION	REF. NO.	PART NO.	DESCRIPTION	REF. NO.	PART NO.	DESCRIPTION
161	691561	Base–Air Cleaner (Metal)	270	691027	Nut (Control Wire Casing)	318	807130	Screw (Mounting Bracket)
163	★692081	Gasket–Air Cleaner (Used With Metal Air Cleaner Base)	271	691028	Lever–Control	332	690887	Nut (Flywheel)
185	690939	Nut (Air Cleaner Base)	273	★690681	Seal–O Ring (Oil Pump)	333	492341	Armature–Magneto
187A	691050	Line–Fuel (Cut To Required Length)	276	690704	Washer–Sealing (Crankcase Cover/Sump)	334	692066	Screw (Magneto Armature)
188	692056	Screw (Control Bracket)	276A	★△691766	Washer–Sealing	337	491055	Plug–Spark
192	807623	Adjuster–Rocker Arm	276B	◆●806476	Washer–Sealing (Float Bowl)	356	807063	Wire–Stop
203	690923	Crank–Bell			Note	358	808389	Gasket Set–Engine
209	692071	Spring–Governor			807085	359	691077	Washer (Ground Terminal)
211	692069	Spring–Governed Idle			Washer–Sealing (Crankcase Cover/Sump)	363	19203	Puller–Flywheel
212	690712	Link–Throttle	276C	◆●806477	Washer–Sealing (Carburetor Plug)	373A	691612	Nut (Ground Terminal)
216	690705	Link–Choke				377	808095	Key–Woodruff
222	808454	Bracket–Control	278	690237	Washer (Governor Control Lever)	383	19374	Wrench–Spark Plug
227	690236	Lever–Governor Control	287	807084	Screw (Dipstick Tube)	385	807084	Screw (Fuel Pump)
231	690728	Screw (Choke Valve)			Note	387	808656	Pump–Fuel
232	692073	Spring–Governor Link			692062	388	820799	Lever–Pinion Drive
239	690233	Switch–Oil Pressure (Oil GARD Only)			Screw (Dipstick Tube)	415	690283	Plug (Square Head)
240A	691035	Filter–Fuel (Includes Paper Element With A 40 Micron Rating)	304	841397	Housing–Blower	437	691902	Screw (Exhaust Manifold)
254	807713	Drain–Carburetor Bowl	304D	809239	Housing–Blower	439	★692154	Seal–O Ring (Crankcase Cover/Sump)
262	692083	Screw (Rod Bracket)	305	692062	Screw (Blower Housing)	445	394018	Filter–Air Cleaner Cartridge (Round)
265	691024	Clamp–Casing			Note	467	691985	Knob–Air Cleaner
267	692083	Screw (Casing Clamp)			692056	474E	809175	Alternator (20 Amp)
268	691025	Casing–Control Wire (Cut To Required Length)	308	841232	Cover–Cylinder Head (Cylinder 1)	493	698024	Bracket–Mounting
269	691026	Wire–Control (Cut To Required Length)	308G	841182	Cover–Cylinder Head (Cylinder 2)	501B	809176	Regulator
			309E	808726	Motor–Starter	505	690238	Nut (Governor Control Lever)
			310	820807	Screw (Starter Motor)	507	691972	Insulator
						520	691084	Terminal–Ground (Brass)

★ Included in Engine Gasket Set–Ref. No. 358.

● Included in Carburetor Overhaul Kit–Ref. No. 121.

◆ Included in Carburetor Gasket Set–Ref. No. 977.

△ Included in Valve Gasket Set–Ref. No. 1095.

Illustrations cover a range of engines. Parts shown without corresponding text may not be used on your specific engine.

357700

REF. NO.	PART NO.	DESCRIPTION	REF. NO.	PART NO.	DESCRIPTION	REF. NO.	PART NO.	DESCRIPTION
523	692101	Dipstick	668B	●690737	Spacer	868	★△691963	Seal-Valve
525A	692093	Tube-Dipstick	683	820813	Nut (Starter Solenoid)	871	692057	Bushing-Valve Guide
526B	691547	Screw (Regulator)	683A	820809	Nut (Starter Solenoid)	877D	698092	Wire/Connector- Alternator
529	690744	Grommet	691	★690680	Seal-Governor Shaft	879A	807118	Cover-Carburetor
552	690701	Bushing-Governor Crank	711A	807084	Screw (Carburetor Shield)	883A	★△691613	Gasket-Exhaust
552A	806686	Bushing-Governor Crank	711B	807163	Screw (Carburetor Shield)	899	820811	Washer (Starter Solenoid)
562	690239	Bolt (Governor Control Lever)	718	806469	Pin-Locating	918	393815	Hose-Vacuum (Cut To Required Length)
565	690682	Stud (Oil Filter Adapter)	722	820801	Seal-Plunger	920B	825418	Solenoid-Starter
572	690686	Baffle-Breather	727	690714	Cover-Starter Drive (Black)	934	691058	Screw (Fan Retainer)
573	841311	Plate-Back	729	807136	Clip-Wire (Black)(Spring Steel)	947	806472	Solenoid-Fuel
578	692306	Wire Assembly	729B	690586	Clip-Wire (Snap In)(Nylon)	950	691511	Screw-Float Bowl
578A	692319	Wire Assembly (With Diodes)	732	690688	Screw (Starter Drive Cover)	955	807714	Plug-Carburetor
596	691492	Screw (Oil Pump)	732A	692539	Screw (Starter Drive Cover)	967	272490	Filter-Pre Cleaner (Round)
601	691638	Clamp-Hose (Silver)	737	690679	Screw (Oil Filter Adapter)	968	692097	Cover-Air Cleaner (Used With Metal Air Cleaner Base)
601B	691038	Clamp-Hose (Silver)	741	691530	Gear-Timing	971A	807084	Screw (Air Cleaner Base to Carburetor)
615	691550	Retainer-Governor Shaft	742	●805578	Retainer-E Ring	975	807715	Bowl-Float
616	806685	Crank-Governor	788	691559	Bracket-Fuel Pump	977	808325	Gasket Set-Carburetor
628A	806660	Screw (Fuel Pump Bracket)	789	695050	Harness-Wiring	987	◆●691548	Seal-Throttle Shaft
633	◆●690738	Seal-Choke/Throttle Shaft	807	●690733	Spacer-Throttle	988	★692063	Gasket-Oil Adapter
635	692076	Boot-Spark Plug	812	△692055	Nut (Rocker Cover)	996	691577	Shield-Carburetor
637	●690735	Washer (Throttle Shaft)	816	690706	Washer (Oil Filter Adapter)	1004	807121	Duct-Air (Used With Metal Air Cleaner Base)
638A	691551	Washer (Cylinder Head Cover) (Used Before Code Date 03110100).	830	809157	Stud-Rocker Arm	1005	841439	Fan-Flywheel (Used After Code Date 04011800).
643	692079	Retainer-Air Filter	833	841233	Screw (Air Cleaner Mounting Strap/Stud)	Note		
654	690939	Nut (Carburetor)	851	493880	Terminal-Spark Plug	809179	Fan-Flywheel (Used Before Code Date 04011900).	
			862	692542	Strap/Stud-Air Cleaner Mounting	1006	690452	Retainer-Fan
			865	807119	Cover-Air Guide (Black)			

★ Included in Engine Gasket Set-Ref. No. 358.

● Included in Carburetor Overhaul Kit-Ref. No. 121.

◆ Included in Carburetor Gasket Set-Ref. No. 977.

△ Included in Valve Gasket Set-Ref. No. 1095.

Illustrations cover a range of engines. Parts shown without corresponding text may not be used on your specific engine.

REF. NO.	PART NO.	DESCRIPTION	REF. NO.	PART NO.	DESCRIPTION	REF. NO.	PART NO.	DESCRIPTION
1009	806474	Screw (Starter Motor)	1027	492932	Filter–Oil (2 1/4" Long)	1130	690746	Stud (Intake Manifold)
1011	692929	Tube–Vent (Cut To Required Length)	1028	808235	Adapter–Oil Filter	1135	806497	Washer (Crankcase Cover/Sump)
1017	690878	Screen–Oil Pump	1029	691543	Arm–Rocker	1139	806497	Washer (Fuel Pump Bracket)
1019	808036	Kit–Label	1036	806887	Label–Emissions	1271	697261	Inverter
1022	★△806039	Gasket–Rocker Cover	1037	●807717	Ball–Choke Locator	1272	697260	Gasket–Inverter
1023A	691558	Cover–Rocker (Cylinder 1) (With Fuel Pump)	1051	●690736	Ring–Retaining	1323	699146	Receptacle–Powerlink
1023B	691494	Cover–Rocker	1054	280275	Tie–Cable	1330	272144	Repair Manual
1024	693186	Pump–Oil	1058	275071	Operator’s Manual			
1025	690689	Spool–Governor	1091	●691515	Cap–Limiter			
1026	691836	Rod–Push (Intake)(Steel)	1095A	808391	Gasket Set–Valve			
		Note	1100	690973	Pivot–Rocker Arm			
		691758 Rod–Push (Exhaust)(Aluminum)	1119	807117	Screw (Alternator)			

★ Included in Engine Gasket Set–Ref. No. 358.

● Included in Carburetor Overhaul Kit–Ref. No. 121.

◆ Included in Carburetor Gasket Set–Ref. No. 977.

△ Included in Valve Gasket Set–Ref. No. 1095.

Illustrations cover a range of engines. Parts shown without corresponding text may not be used on your specific engine.

