

358700

Illustrated Parts List

Model Series

358700

TYPE NUMBERS
0036 through 0280.

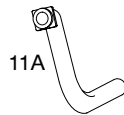
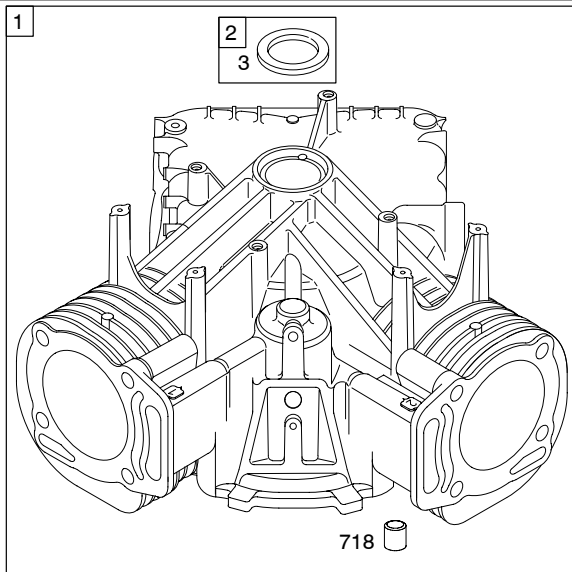
TABLE OF CONTENTS

Air Cleaner	8
Alternator	7
Alternator	7
Blower Housing	10
Cams	4
Carburetor	5
Controls	7
Crankcase Cover/Sump	2
Crankshaft	4
Cylinder	2
Electric Starter	11
Flywheel	9
Governor Spring	7
Head	6
Ignition	7
Intake Manifold	10
Kit/Gaskets – Carburetor	3
Kit/Gaskets – Engine	3
Kit/Gaskets – Valve	3
Oil	12
Piston Group	2
Shrouds	11
Valves	6

PRINTED IN U.S.A.



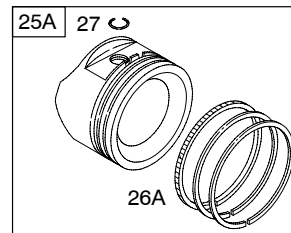
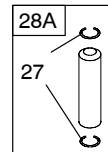
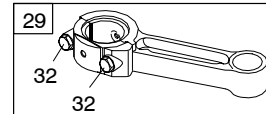
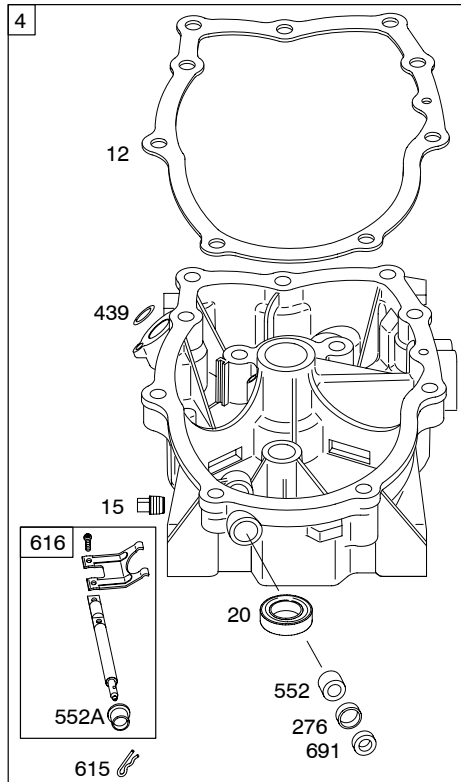
COPYRIGHT by BRIGGS & STRATTON CORPORATION
All rights reserved. No part of this material may be reproduced or transmitted, in any form or by any means, electronic or mechanical, including photocopying, recording or by any information storage and retrieval system, without permission in writing from Briggs & Stratton Corporation.



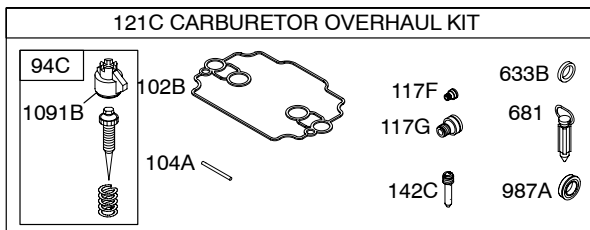
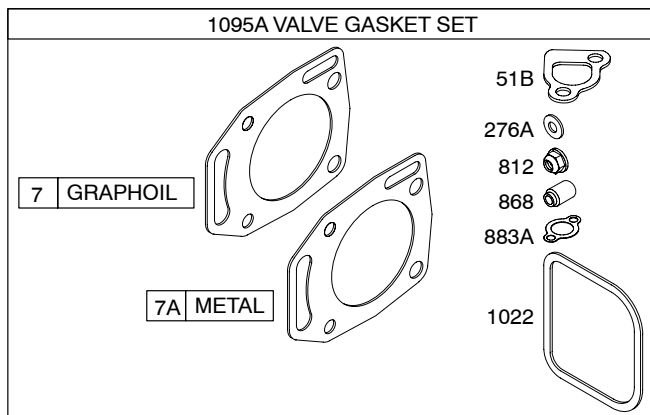
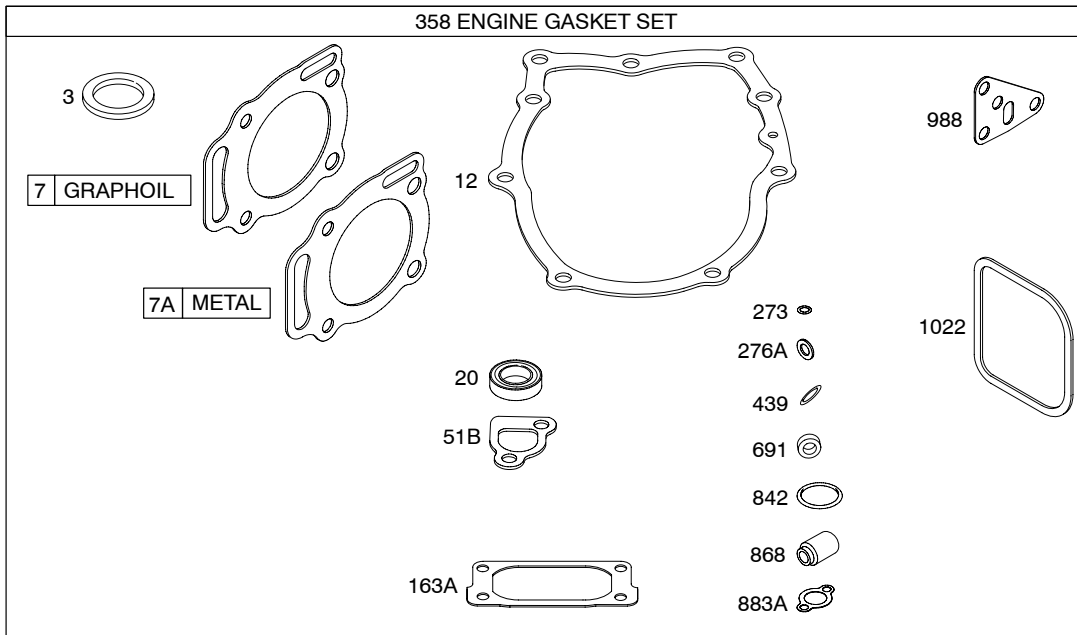
1019 LABEL KIT

1058 OPERATOR'S MANUAL

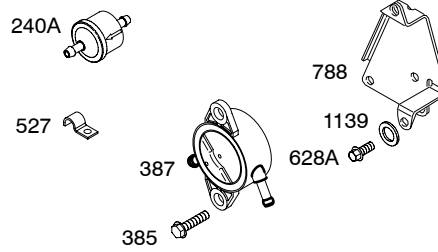
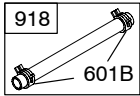
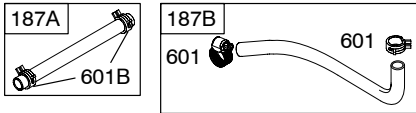
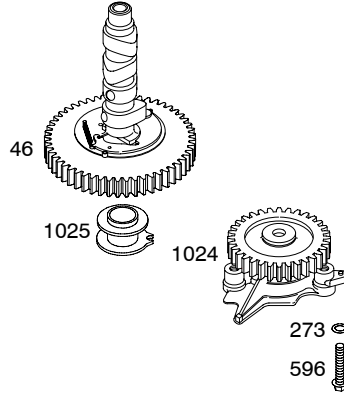
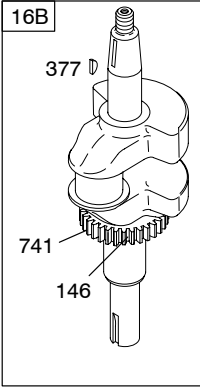
1330 REPAIR MANUAL

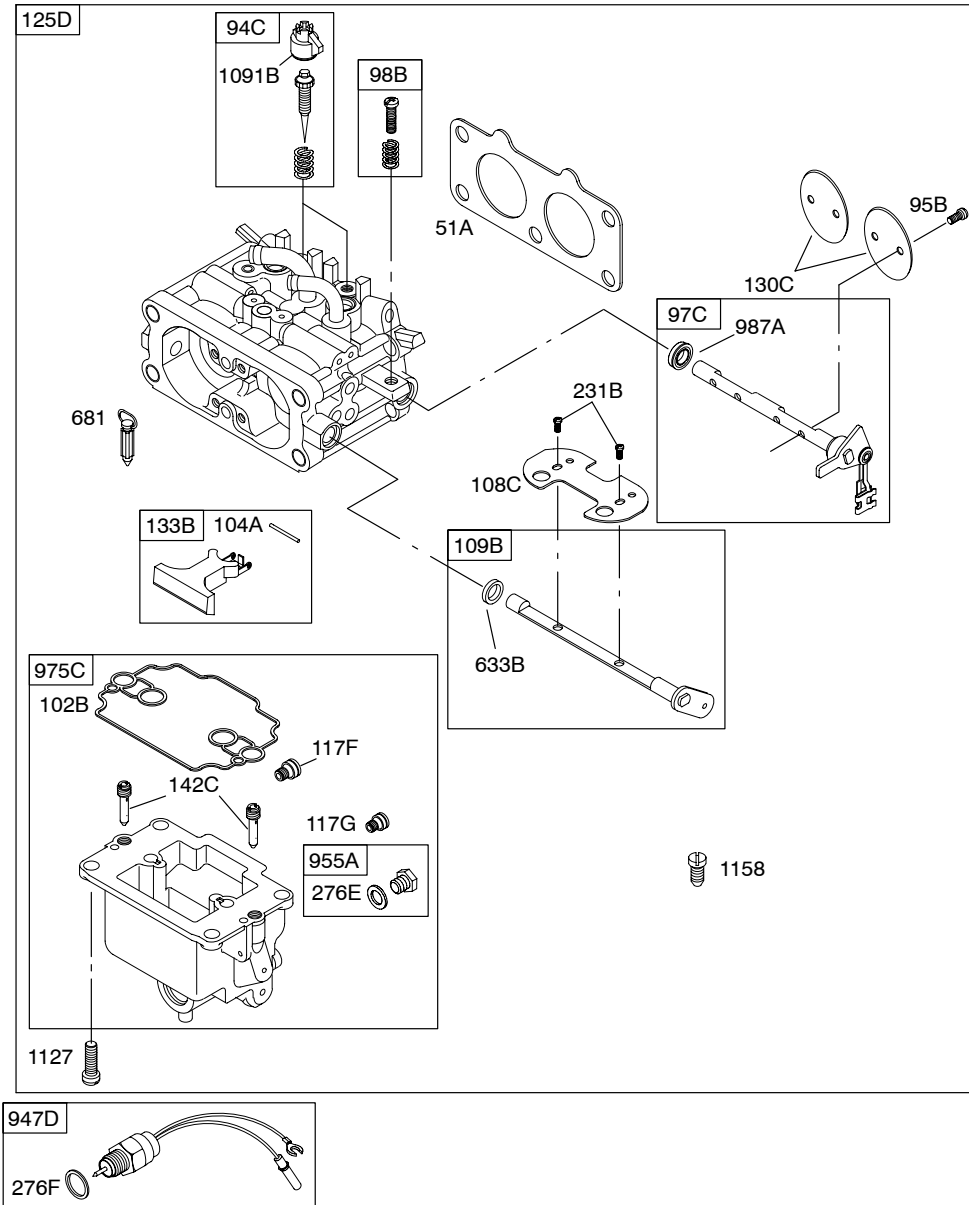


Illustrations cover a range of engines. Parts shown without corresponding text may not be used on your specific engine.
 5377-2 Assemblies include all parts shown in frames. 06/03/2004

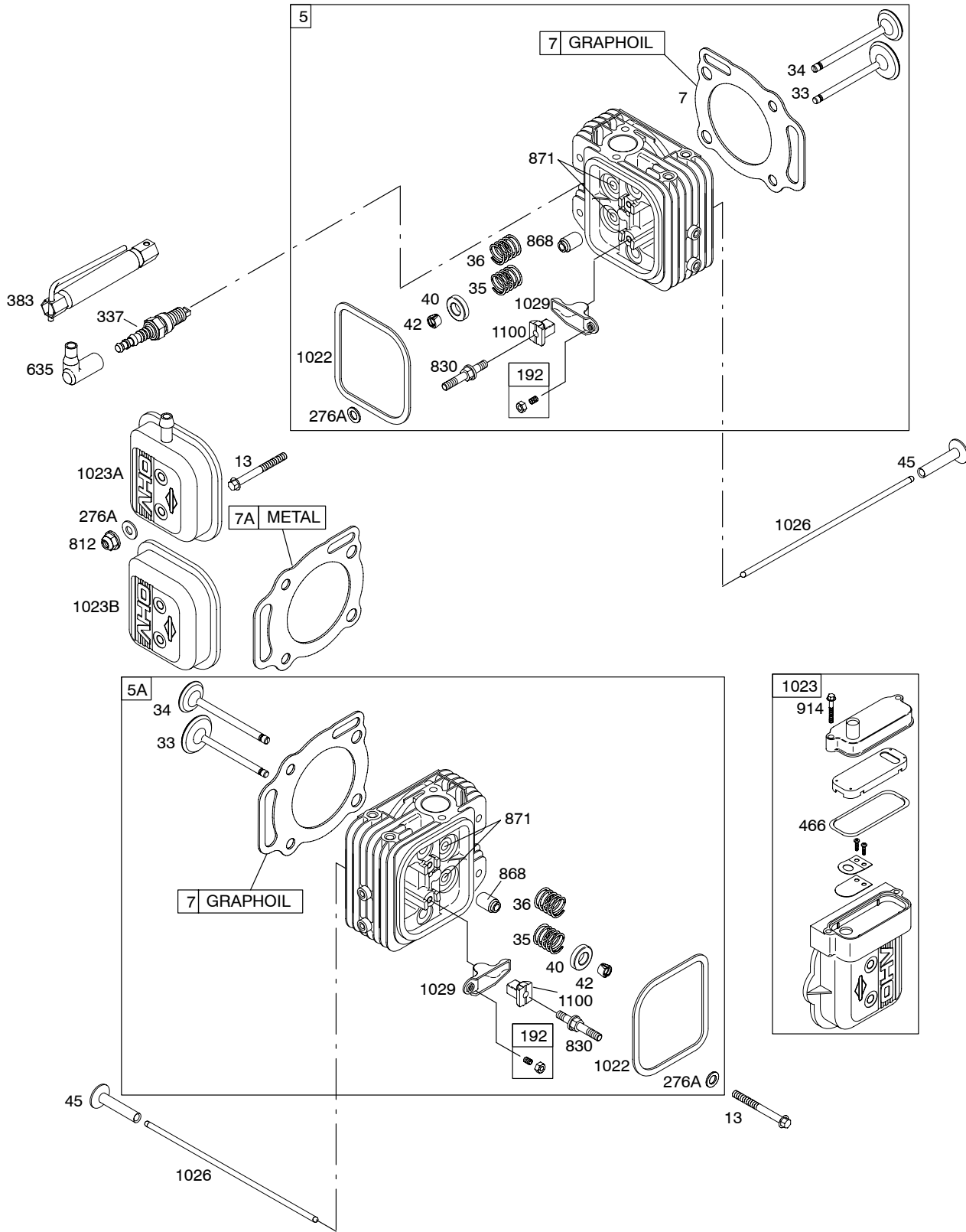


Illustrations cover a range of engines. Parts shown without corresponding text may not be used on your specific engine.

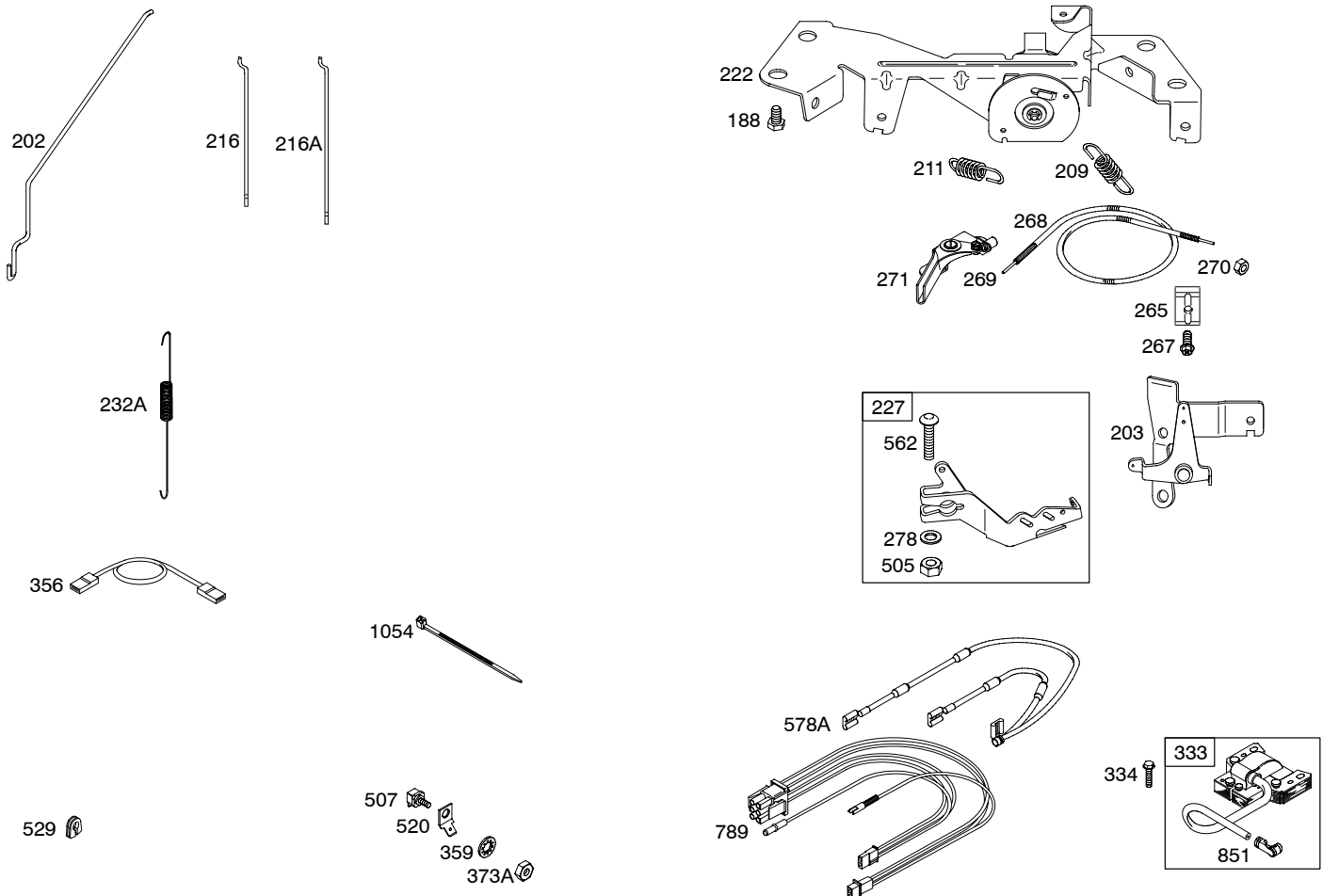





Illustrations cover a range of engines. Parts shown without corresponding text may not be used on your specific engine.
 5377-5 Assemblies include all parts shown in frames. 06/03/2004


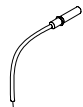
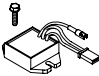


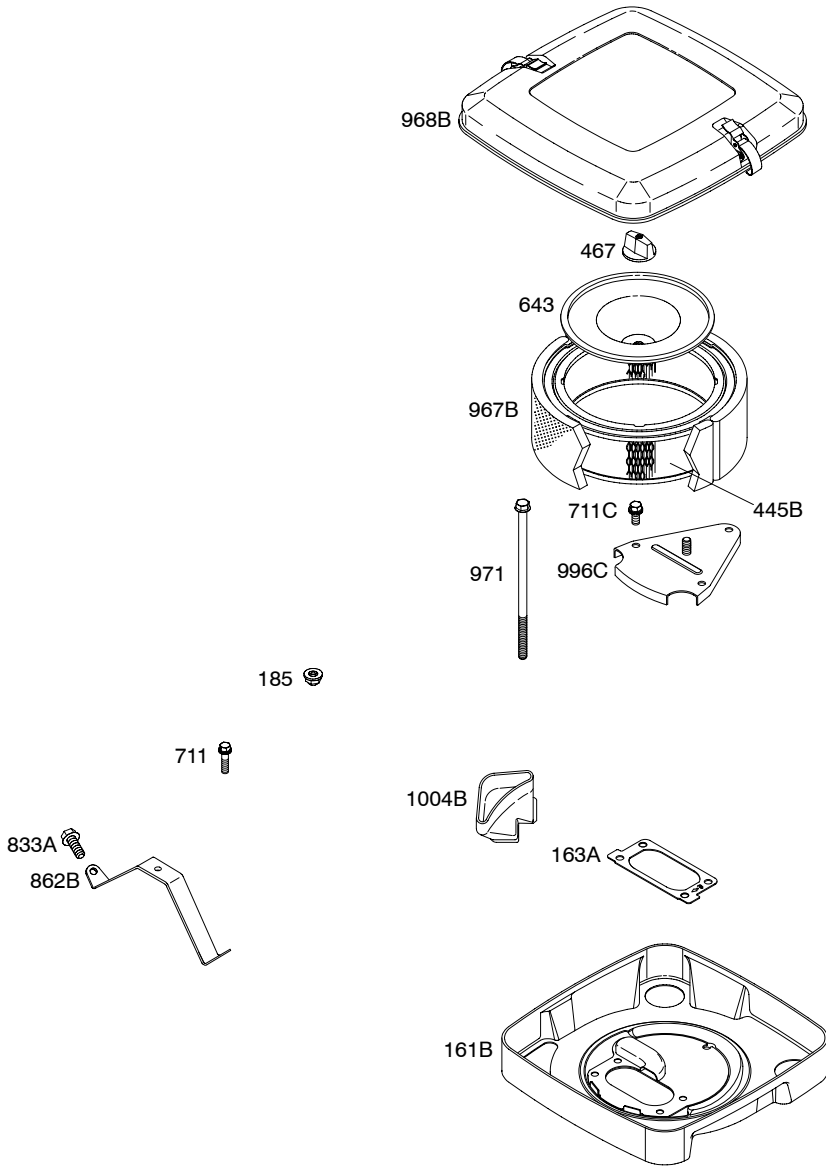
Illustrations cover a range of engines. Parts shown without corresponding text may not be used on your specific engine.
 5377-6 Assemblies include all parts shown in frames. 06/03/2004

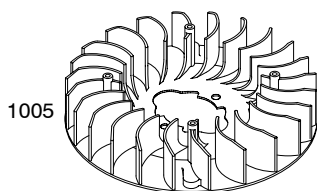
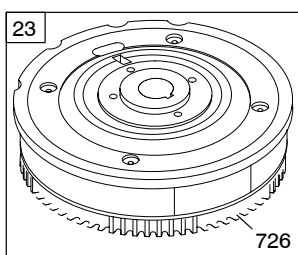
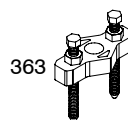
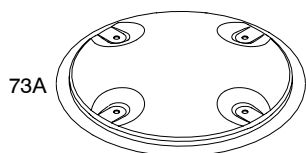


NOTE: All stators use a No. 1119 mounting screw. 

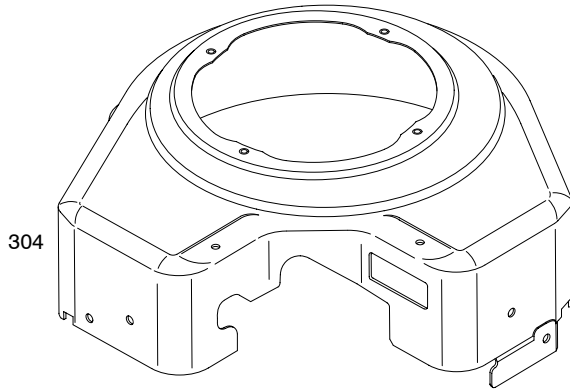
NOTE: The proper flywheel part number and/or the alternator magnet size will determine the alternator type or output. See repair instruction manual for additional information.

10 – 16 AMP
474D
877C

578

526
501




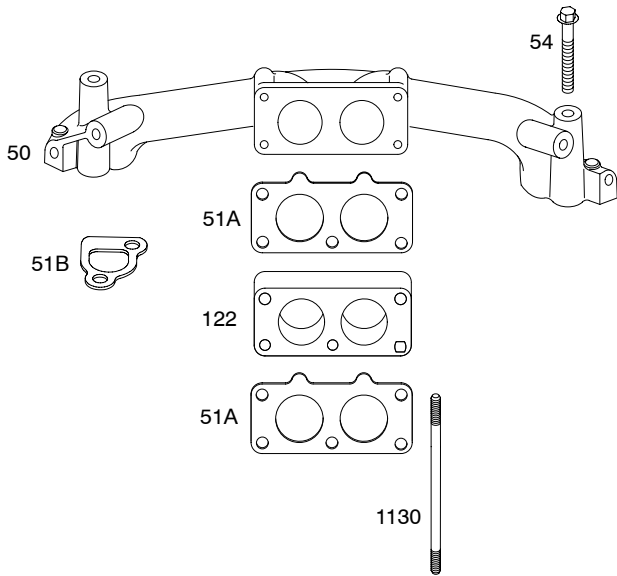


Illustrations cover a range of engines. Parts shown without corresponding text may not be used on your specific engine.

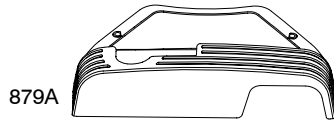


729B 

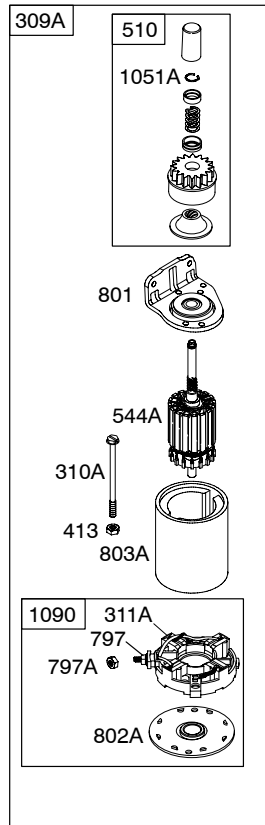
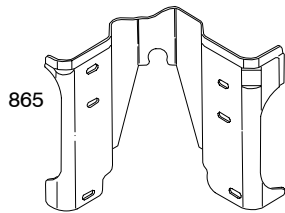
1036 EMISSION LABEL



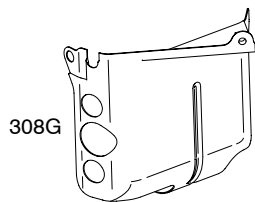
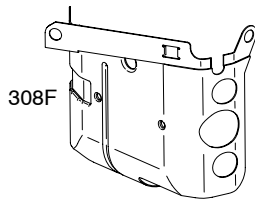
506 



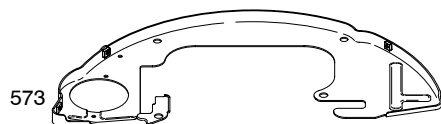
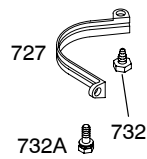
697 

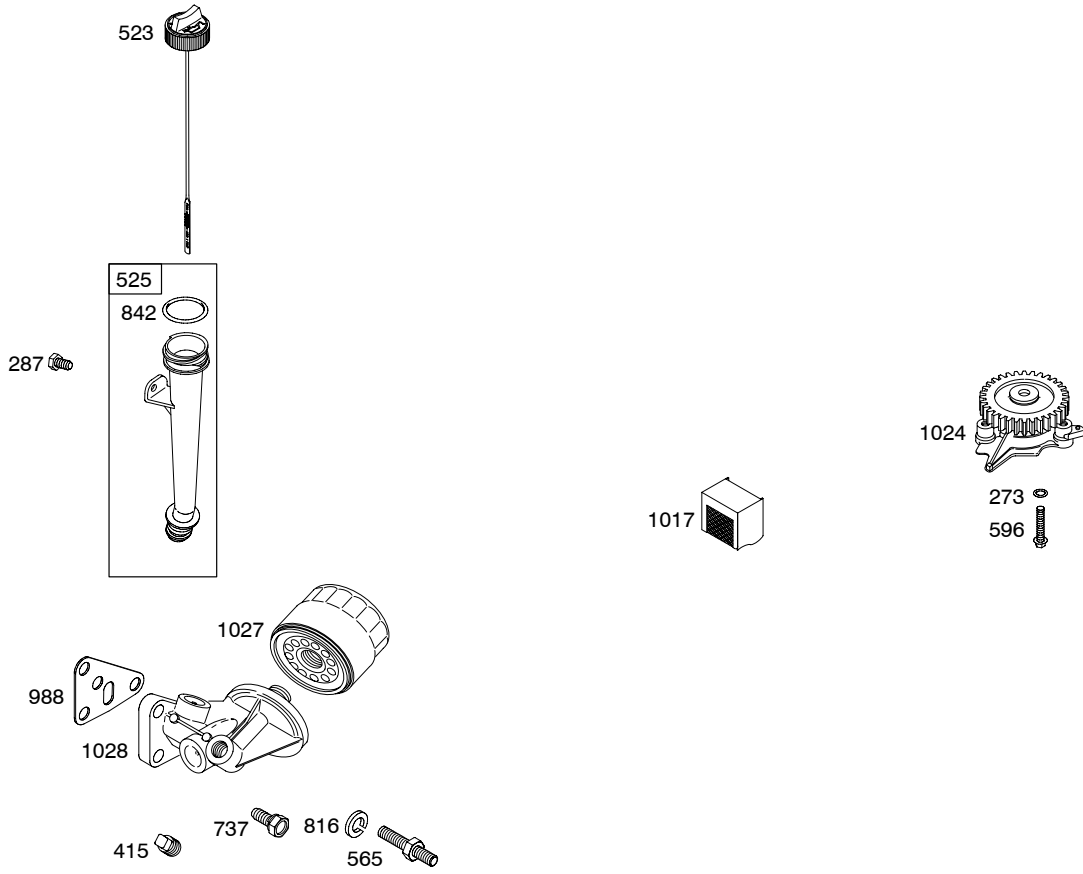


638A 



349 





REF. NO.	PART NO.	DESCRIPTION	REF. NO.	PART NO.	DESCRIPTION	REF. NO.	PART NO.	DESCRIPTION
1	692545	Cylinder Assembly	27	690683	Lock-Piston Pin	94C	●808257	Kit-Idle Mixture
2	808534	Kit-Bushing/Seal (Magneto Side)	28A	807886	Pin-Piston	95B	690718	Screw (Throttle Valve)
3	★805101	Seal-Oil (Magneto Side)	29	807900	Rod-Connecting (Standard)	97C	808719	Shaft-Throttle
4	808846	Sump-Engine			Note _____	98B	808177	Kit-Idle Speed
5	809185	Head-Cylinder (Cylinder 1)			807803 Rod-Connecting (.020" Undersize)	102B	●693711	Gasket-Carburetor Body
5A	809186	Head-Cylinder (Cylinder 2)	32	690698	Screw (Connecting Rod)	104A	●690882	Pin-Float Hinge
7	★△690888	Gasket-Cylinder Head (Graphoil)	33	807681	Valve-Exhaust	108C	690883	Valve-Choke
7A	★△805653	Gasket-Cylinder Head (Metal)	34	807680	Valve-Intake	109B	808181	Shaft-Choke
10	806421	Screw (Breather Assembly)	35	692084	Spring-Valve (Intake)	117F	●806374	Jet-Main (Standard)(Cylinder 1)
11A	806379	Tube-Breather	36	692084	Spring-Valve (Exhaust)	117G	●806373	Jet-Main (Standard)(Cylinder 2)
12	★691684	Gasket-Crankcase	40	692058	Retainer-Valve	121C	808816	Kit-Carburetor Overhaul
13	692059	Screw (Cylinder Head) (86mm Long)	42	807683	Keeper-Valve	122	690870	Spacer-Carburetor
15	690946	Plug-Oil Drain (Square Head)	45	690977	Tappet-Valve	125D	809328	Carburetor
16B	809807	Crankshaft	46	691557	Camshaft	130C	690884	Valve-Throttle
20	★805049	Seal-Oil (PTO Side)	50	690886	Manifold-Intake	133B	808180	Float-Carburetor
22	807362	Screw (Crankcase Cover/Sump)	51A	690950	Gasket-Intake (Manifold/Carburetor Spacer)	142C	●806375	Nozzle-Carburetor (Standard)
23	809236	Flywheel (Steel Ring Gear)	51B	★△692035	Gasket-Intake (Manifold/Heads)	146	691639	Key-Timing
25A	808326	Piston Assembly (Standard)	54	690676	Screw (Intake Manifold)	161B	808676	Base-Air Cleaner (Metal)
		Note _____	73A	841440	Screen-Rotating (Used After Code Date 04011800).	163A	★692087	Gasket-Air Cleaner (Used With Metal Air Cleaner Base)
		808336 Piston Assembly (.010" Oversize)			Note _____	185	690939	Nut (Air Cleaner Base)
		808337 Piston Assembly (.020" Oversize)			807111 Screen- Rotating (Used Before Code Date 04011900).	187A	296004	Line-Fuel (Cut To Required Length)
26A	807889	Ring Set (Standard)	74	841441	Screw (Rotating Screen) (Used After Code Date 04011800).			Note _____
		Note _____			807112 Screw (Rotating Screen) (Used Before Code Date 04011900).	187B	691049	Line-Fuel (Molded)
		807995 Ring Set (.020" Oversize)				188	692056	Screw (Control Bracket)
						192	807623	Adjuster-Rocker Arm
						202	690867	Link-Mechanical Governor

★ Included in Engine Gasket Set-Ref. No. 358.

● Included in Carburetor Overhaul Kit-Ref. No. 121.

◆ Included in Carburetor Gasket Set-Ref. No. 977.

△ Included in Valve Gasket Set-Ref. No. 1095.

Illustrations cover a range of engines. Parts shown without corresponding text may not be used on your specific engine.
5377-13 Assemblies include all parts shown in frames. 06/03/2004

358700

REF. NO.	PART NO.	DESCRIPTION	REF. NO.	PART NO.	DESCRIPTION	REF. NO.	PART NO.	DESCRIPTION
203	690923	Crank-Bell ———— Note ———— 808753 Crank-Bell Used on Type No(s). 0110.	271	691028	Lever-Control	358	808389	Gasket Set-Engine
209	692071	Spring-Governor (White) Used on Type No(s). 0036, 0280. ———— Note ———— 692070 Spring-Governor (Red) Used on Type No(s). 0100, 0110.	273	★690681	Seal-O Ring (Oil Pump)	359	691077	Washer (Ground Terminal)
211	692069	Spring-Governed Idle	276	690704	Washer-Sealing (Crankcase Cover/Sump)	363	19203	Puller-Flywheel
216	690705	Link-Choke	276A	★△807085	Washer-Sealing	373A	691612	Nut (Ground Terminal)
216A	690871	Link-Choke	276E	690724	Washer-Sealing	377	808095	Key-Woodruff
222	808454	Bracket-Control	276F	693497	Washer-Sealing	383	19374	Wrench-Spark Plug
227	690236	Lever-Governor Control	278	690237	Washer (Governor Control Lever)	385	807084	Screw (Fuel Pump)
231B	690718	Screw (Choke Valve)	287	807084	Screw (Dipstick Tube)	387	808656	Pump-Fuel
232A	690874	Spring-Governor Link	304	807461	Housing-Blower ———— Note ———— 841399 Housing-Blower Used on Type No(s). 0110.	413	693587	Nut (Starter Motor)
240A	691035	Filter-Fuel (Includes Paper Element With A 40 Micron Rating)	305	692056	Screw (Blower Housing) (14mm)	415	690283	Plug (Square Head)
265	691024	Clamp-Casing	305A	692062	Screw (Blower Housing)	439	★692154	Seal-O Ring (Crankcase Cover/Sump)
267	692083	Screw (Casing Clamp) ———— Note ———— 695134 Screw (Casing Clamp) Used on Type No(s). 0280.	308F	806547	Cover-Cylinder Head (Cylinder 1)	445B	692519	Filter-Air Cleaner Cartridge (Round)
268	691025	Casing-Control Wire (Cut To Required Length)	308G	806546	Cover-Cylinder Head (Cylinder 2)	454	693289	Cap-Breather
269	691026	Wire-Control (Cut To Required Length)	309A	691564	Motor-Starter	466	806466	Seal-O Ring (Breather Assembly)
270	691027	Nut (Control Wire Casing)	310A	690323	Screw (Starter Motor)	467	691985	Knob-Air Cleaner
			311A	497608	Brush Set	474D	696458	Alternator
			332	690887	Nut (Flywheel)	501	691185	Regulator
			333	492341	Armature-Magneto	505	690238	Nut (Governor Control Lever)
			334	692066	Screw (Magneto Armature)	506	807120	Screw (Carburetor Cover)
			337	491055	Plug-Spark	507	691972	Insulator
			349	690238	Nut (Cylinder Head Cover)	510	496881	Drive-Starter
			356	807063	Wire-Stop Used on Type No(s). 0110.	520	809077	Terminal-Ground (Brass)
						523	692101	Dipstick
						525	692093	Tube-Dipstick
						526	692067	Screw (Regulator)
						527	690423	Clamp-Tube
						529	690744	Grommet
						544A	693548	Armature-Starter

★ Included in Engine Gasket Set-Ref. No. 358.

● Included in Carburetor Overhaul Kit-Ref. No. 121.

◆ Included in Carburetor Gasket Set-Ref. No. 977.

△ Included in Valve Gasket Set-Ref. No. 1095.

Illustrations cover a range of engines. Parts shown without corresponding text may not be used on your specific engine.

REF. NO.	PART NO.	DESCRIPTION	REF. NO.	PART NO.	DESCRIPTION	REF. NO.	PART NO.	DESCRIPTION
552	690701	Bushing–Governor Crank	729B	690586	Clip–Wire (Snap In)(Nylon)	879A	807460	Cover–Carburetor
552A	806686	Bushing–Governor Crank	732	690688	Screw (Starter Drive Cover)	883A	★△691613	Gasket–Exhaust
562	690239	Bolt (Governor Control Lever)	732A	841233	Screw (Starter Drive Cover)	914	806421	Screw (Rocker Cover)
565	690682	Stud (Oil Filter Adapter)	737	690679	Screw (Oil Filter Adapter)	918	393815	Hose–Vacuum (Cut To Required Length)
573	841310	Plate–Back	741	691530	Gear–Timing	934	691058	Screw (Fan Retainer)
578	692306	Wire Assembly	788	691559	Bracket–Fuel Pump	947D	808624	Solenoid–Fuel
578A	692319	Wire Assembly (With Diodes)	789	695050	Harness–Wiring Used on Type No(s). 0110.	955A	807723	Plug–Carburetor
596	691492	Screw (Oil Pump)	797	691029	Nut (Brush Retainer)	967B	692520	Filter–Pre Cleaner (Round)
601	691145	Clamp–Hose	797A	693167	Nut (Brush Retainer)	968B	808654	Cover–Air Cleaner (Used With Metal Air Cleaner Base)
601B	691038	Clamp–Hose (Silver)	801	808778	Cap–Drive	971	690866	Screw (Air Cleaner Base to Carburetor)
615	691550	Retainer–Governor Shaft	802A	691286	Cap–End	975C	808179	Bowl–Float
616	806685	Crank–Governor	803A	693547	Housing–Starter	987A	●692090	Seal–Throttle Shaft
628A	806660	Screw (Fuel Pump Bracket)	812	△692055	Nut (Rocker Cover)	988	★692063	Gasket–Oil Adapter
633B	●690722	Seal–Choke/Throttle Shaft	816	690706	Washer (Oil Filter Adapter)	996C	690917	Shield–Carburetor
635	692076	Boot–Spark Plug	830	809157	Stud–Rocker Arm	1004B	690865	Duct–Air (Used With Metal Air Cleaner Base)
638A	691551	Washer (Cylinder Head Cover) (Used Before Code Date 03110100).	833A	841233	Screw (Air Cleaner Mounting Strap/Stud)	1005	841439	Fan–Flywheel (Used After Code Date 04011800).
643	692079	Retainer–Air Filter	Note			Note		
681	●808798	Kit–Needle/Seat	807163	Screw (Air Cleaner Mounting Strap/Stud)	809179	Fan–Flywheel (Used Before Code Date 04011900).		
691	★690680	Seal–Governor Shaft	842	★692053	Seal–O Ring (Dipstick Tube)	1006	690452	Retainer–Fan
697	692062	Screw (Drive Cap)	851	493880	Terminal–Spark Plug	1017	690878	Screen–Oil Pump
711	807163	Screw (Carburetor Shield)	862B	690868	Strap/Stud–Air Cleaner Mounting	1019	808158	Kit–Label
711C	691492	Screw (Carburetor Shield)	865	807119	Cover–Air Guide (Black)	1022	★△806039	Gasket–Rocker Cover
718	806469	Pin–Locating	868	★△691963	Seal–Valve	1023	808648	Cover–Rocker (Includes Breather Assembly)
726	841663	Gear–Ring	871	692057	Bushing–Valve Guide	1023A	691558	Cover–Rocker (Cylinder 1) (With Fuel Pump)
727	690714	Cover–Starter Drive (Black)	877C	393537	Wire/Connector–Alternator			

★ Included in Engine Gasket Set–Ref. No. 358.

● Included in Carburetor Overhaul Kit–Ref. No. 121.

◆ Included in Carburetor Gasket Set–Ref. No. 977.

△ Included in Valve Gasket Set–Ref. No. 1095.

Illustrations cover a range of engines. Parts shown without corresponding text may not be used on your specific engine.
5377–15 Assemblies include all parts shown in frames. **06/03/2004**

358700

REF. NO.	PART NO.	DESCRIPTION	REF. NO.	PART NO.	DESCRIPTION	REF. NO.	PART NO.	DESCRIPTION
1023B	691494	Cover-Rocker	1028	808235	Adapter-Oil Filter	1127	690885	Screw (Float Bowl)
1024	693186	Pump-Oil	1029	807323	Arm-Rocker	1130	690869	Stud (Intake Manifold)
1025	690689	Spool-Governor	1036	806886	Label-Emissions	1135	806497	Washer (Crankcase Cover/Sump)
1026	691836	Rod-Push (Intake)(Steel)	1051A	691124	Ring-Retaining	1139	806497	Washer (Fuel Pump Bracket)
		Note	1054	280275	Tie-Cable	1158	807468	Screw (Carburetor Plug)
		691758 Rod-Push (Exhaust)(Aluminum)	1058	275071	Operator's Manual	1330	272144	Repair Manual
1027	492932	Filter-Oil (2 1/4" Long)	1090	691293	Retainer-Brush			
			1091B	●691515	Cap-Limiter			
			1095A	808391	Gasket Set-Valve			
			1100	690973	Pivot-Rocker Arm			
			1119	691552	Screw (Alternator)			

★ Included in Engine Gasket Set-Ref. No. 358.

● Included in Carburetor Overhaul Kit-Ref. No. 121.

◆ Included in Carburetor Gasket Set-Ref. No. 977.

△ Included in Valve Gasket Set-Ref. No. 1095.

Illustrations cover a range of engines. Parts shown without corresponding text may not be used on your specific engine.