

359700

Illustrated Parts List

Model Series

359700

TYPE NUMBERS
0110.

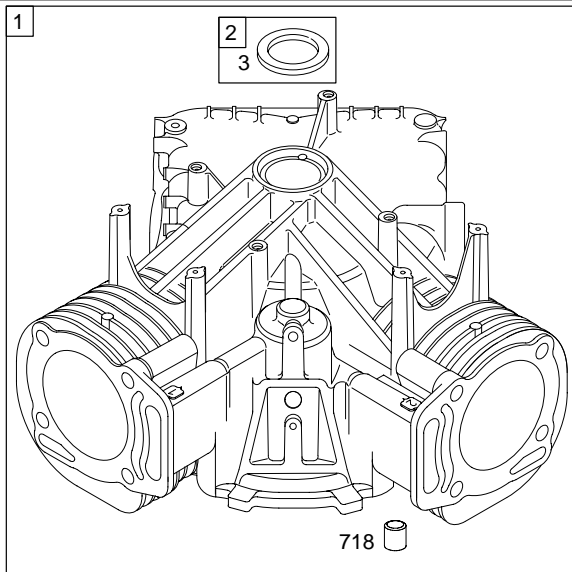
TABLE OF CONTENTS

Air Cleaner	9
Blower Housing	11
Camshaft	4
Carburetor	5
Controls	8
Crankcase Cover/Sump	2
Crankshaft	4
Cylinder	2
Cylinder Head	7
Electric Starter	13
Flywheel	10
Governor Spring	8
Ignition	8
Intake Manifold	6
Gasket Set-Engine	3
Gasket Set-Valve	3
Lubrication	14
Piston, Rings, Connecting Rod	2
Shrouds	12



PRINTED IN U.S.A.

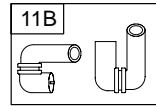
COPYRIGHT by BRIGGS & STRATTON CORPORATION
All rights reserved. No part of this material may be reproduced or transmitted, in any form or by any means, electronic or mechanical, including photocopying, recording or by any information storage and retrieval system, without permission in writing from Briggs & Stratton Corporation.



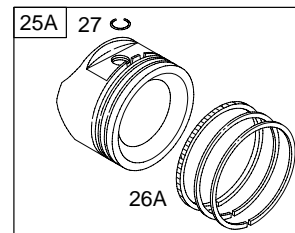
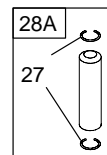
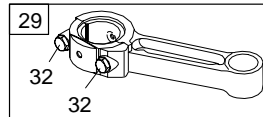
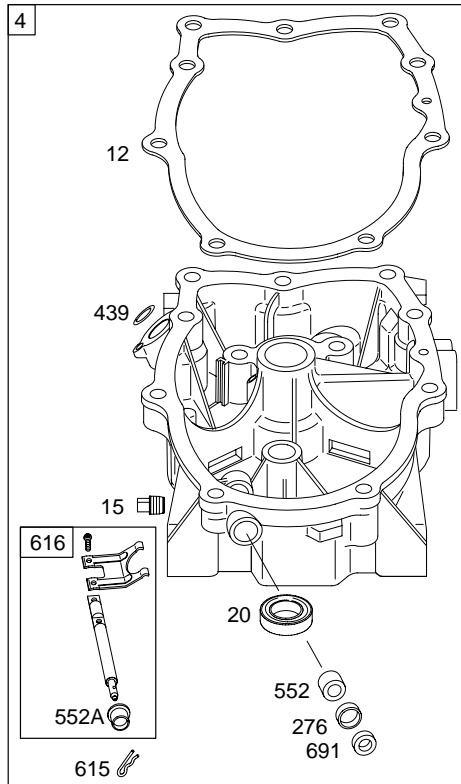
1019 LABEL KIT

1330 REPAIR MANUAL

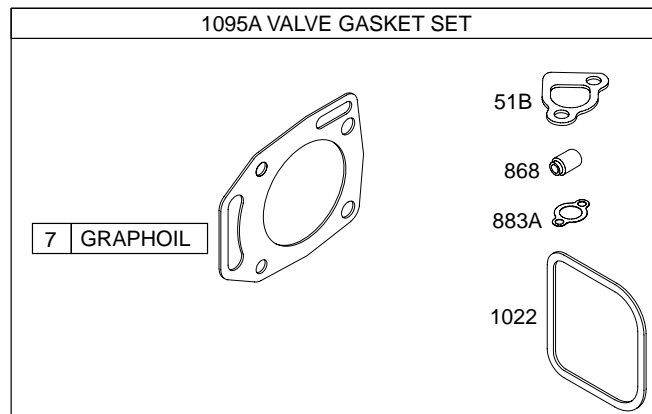
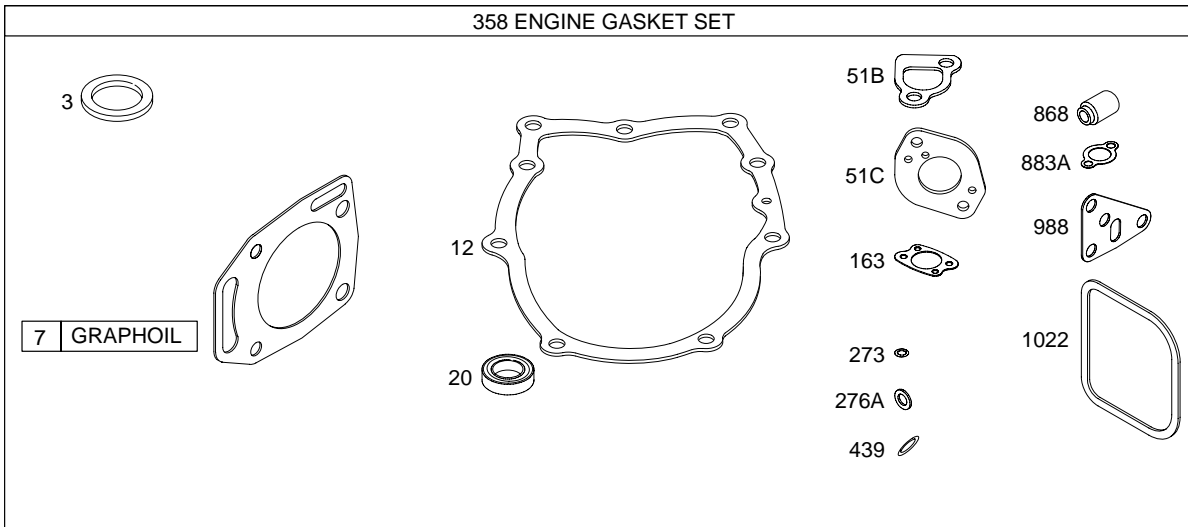
1058 OPERATOR'S MANUAL

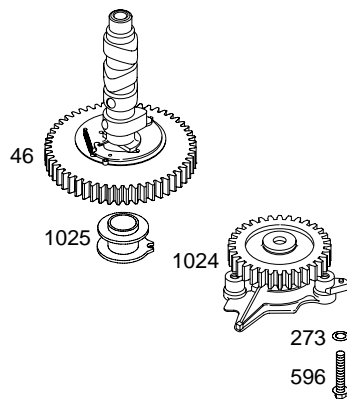
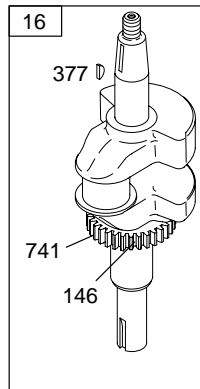


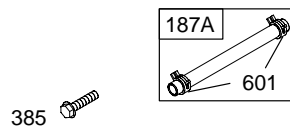
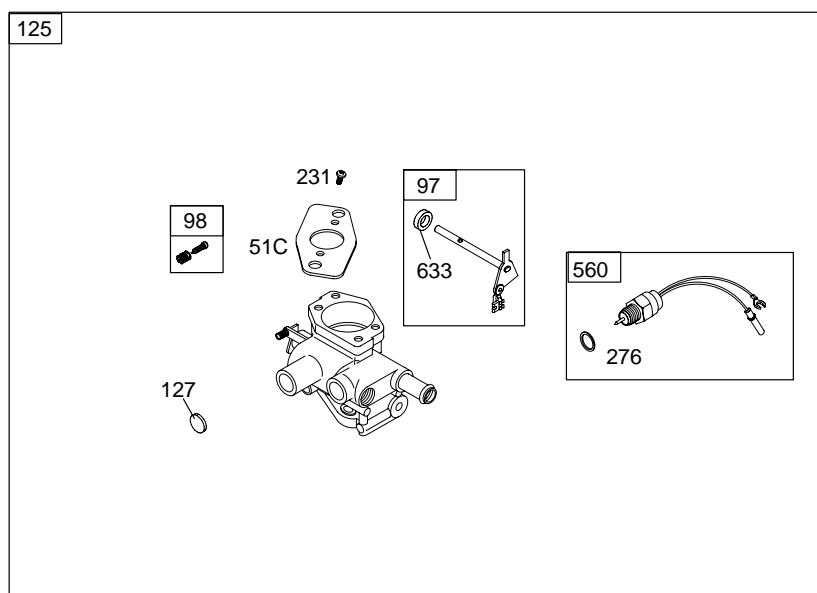
415 



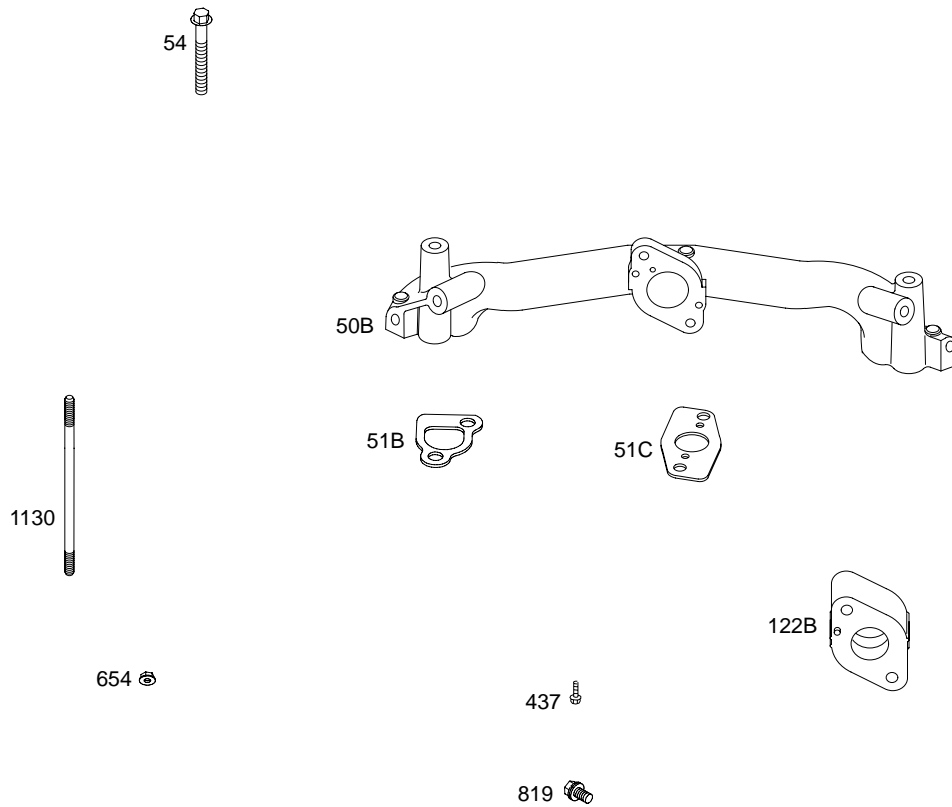
Illustrations cover a range of engines. Parts shown without corresponding text may not be used on your specific engine.
6196-2 Assemblies include all parts shown in frames. **08/05/2004**

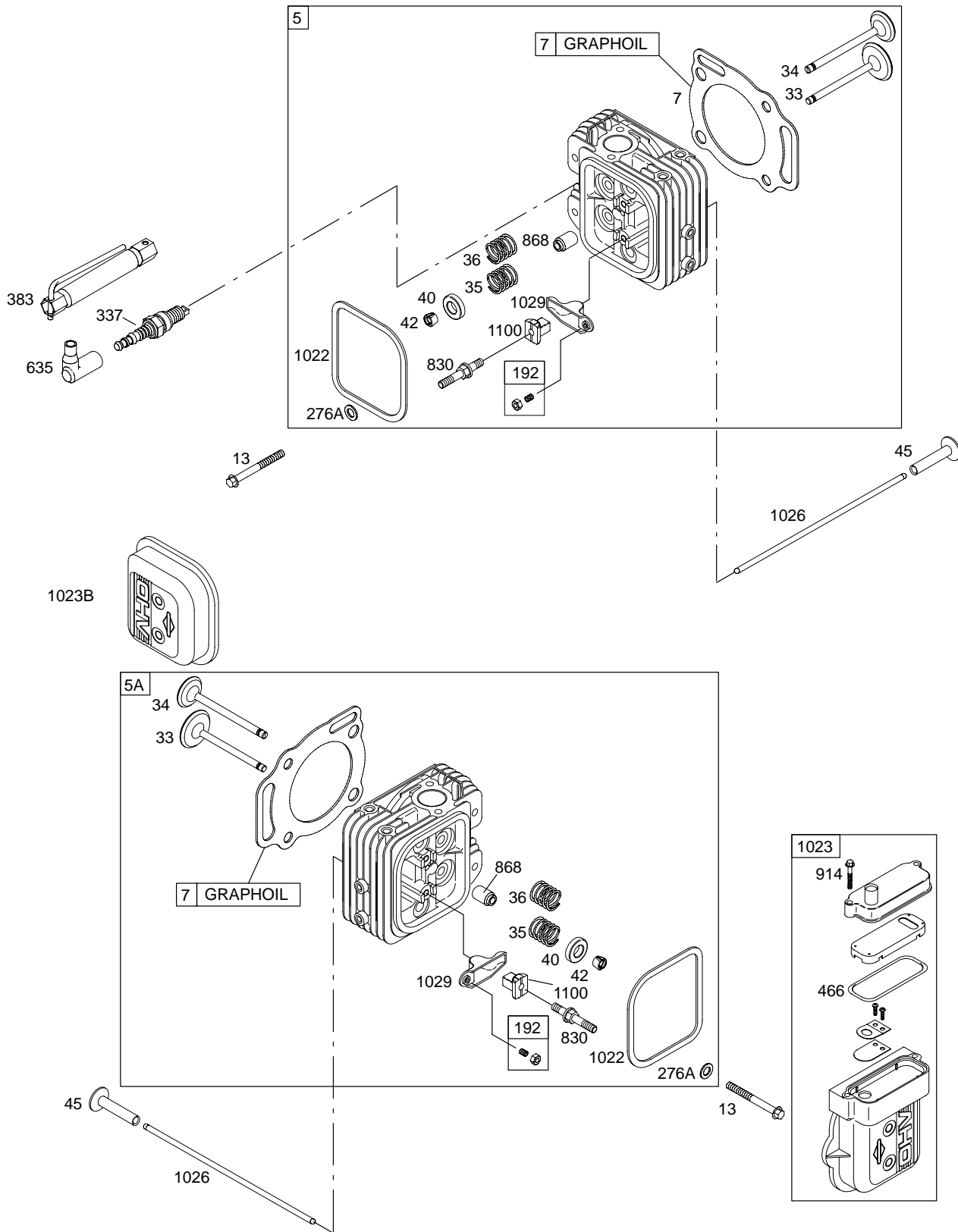




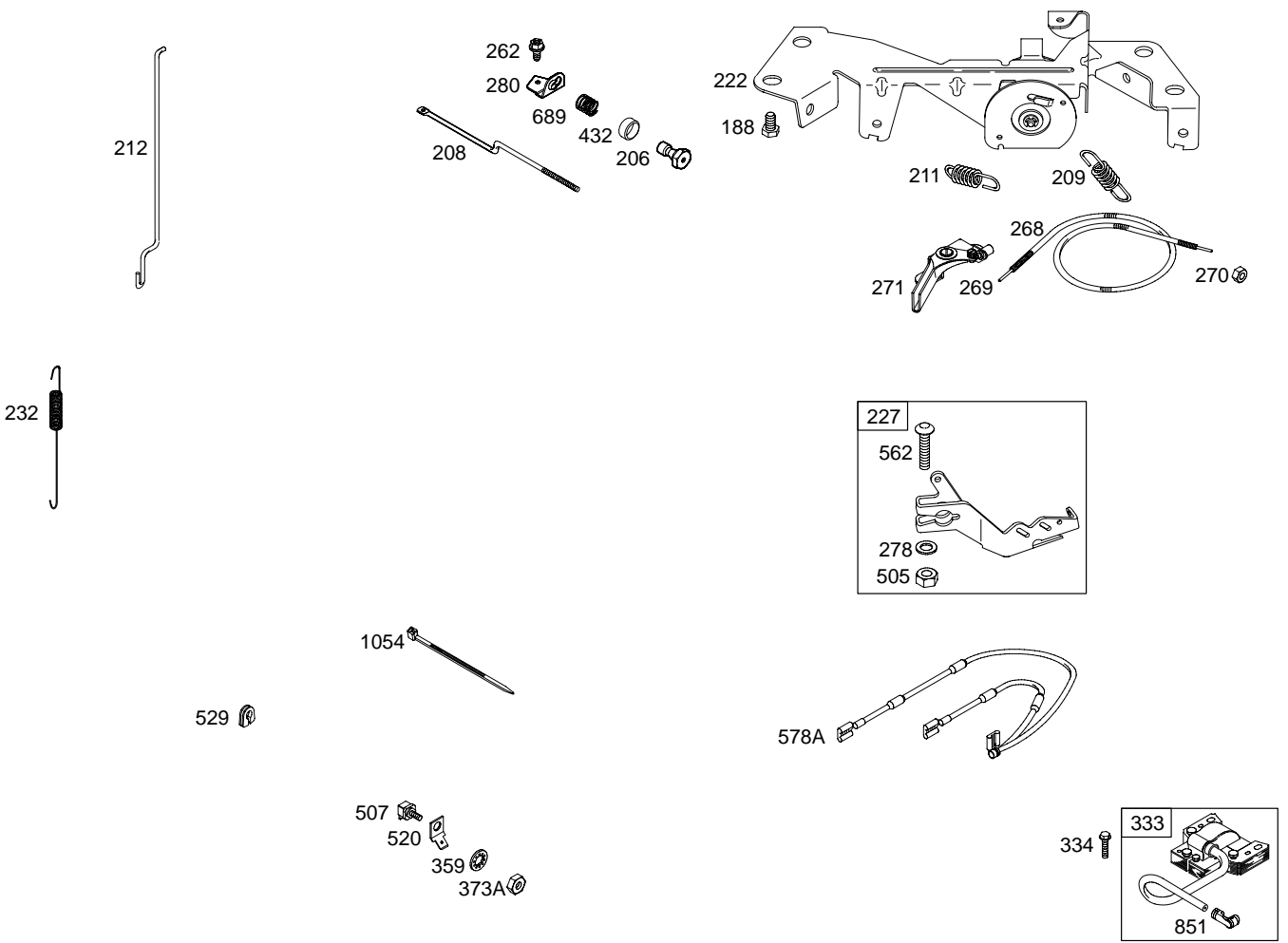


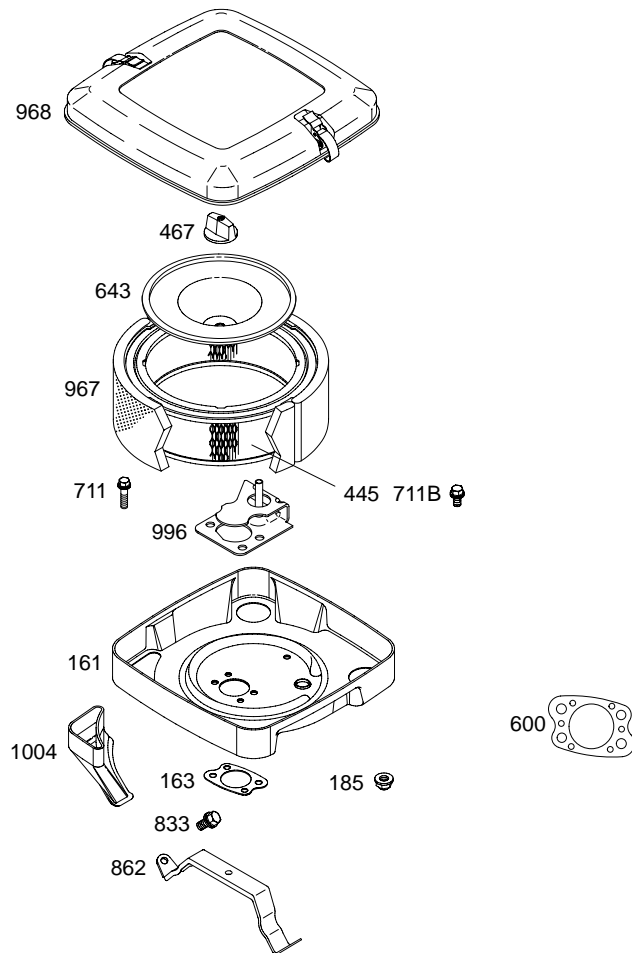
Illustrations cover a range of engines. Parts shown without corresponding text may not be used on your specific engine.
 6196-5 Assemblies include all parts shown in frames. 08/05/2004



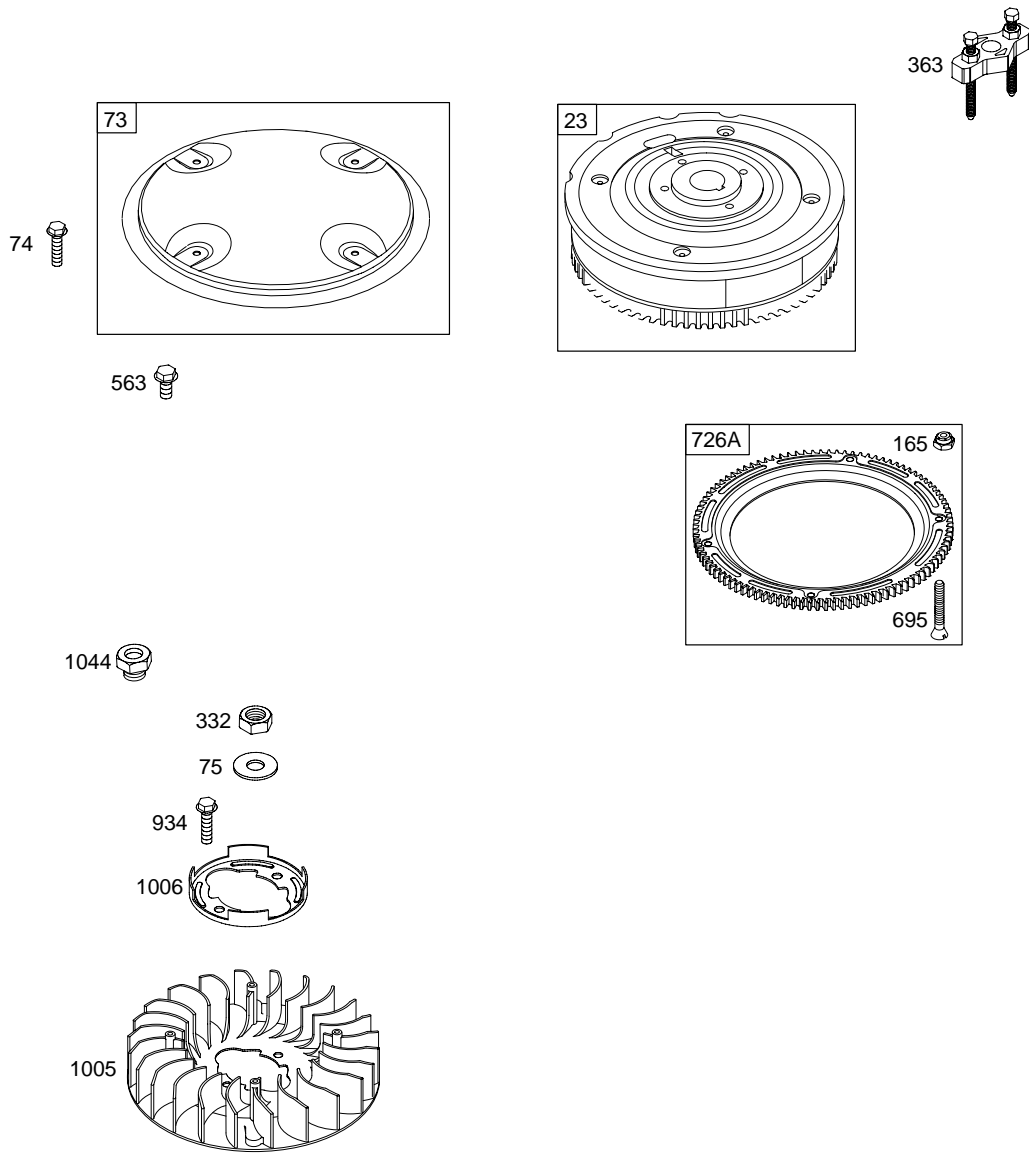


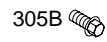
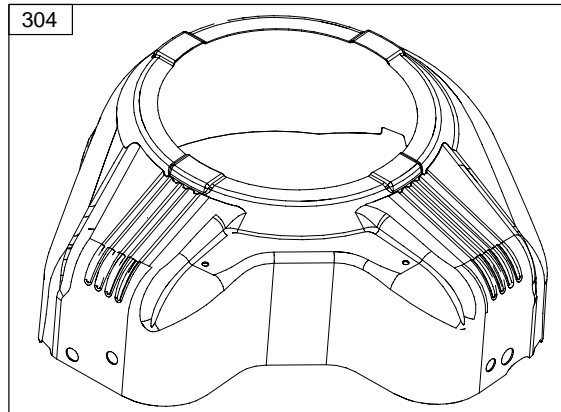
Illustrations cover a range of engines. Parts shown without corresponding text may not be used on your specific engine.
 6196-7 Assemblies include all parts shown in frames. 08/05/2004



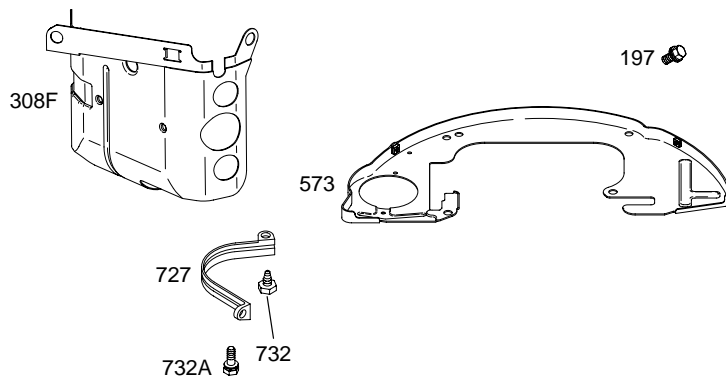
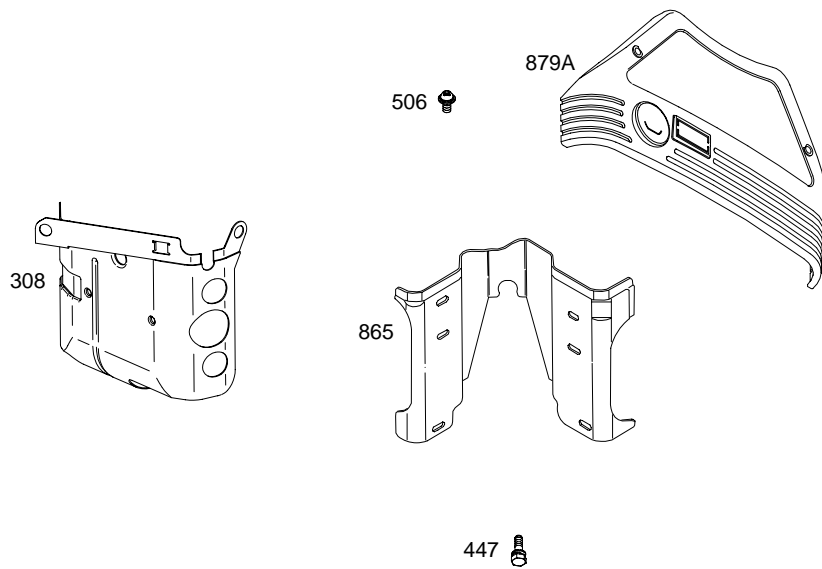


Illustrations cover a range of engines. Parts shown without corresponding text may not be used on your specific engine.
 6196-9 Assemblies include all parts shown in frames. 08/05/2004

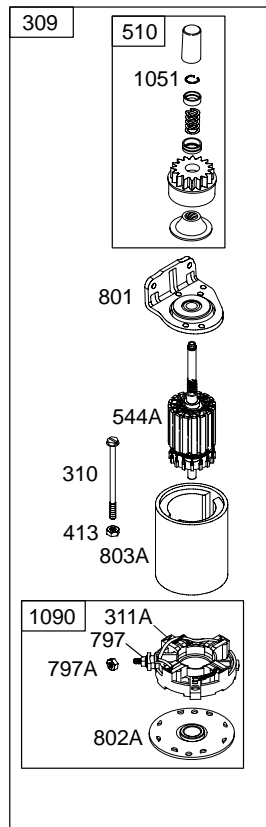


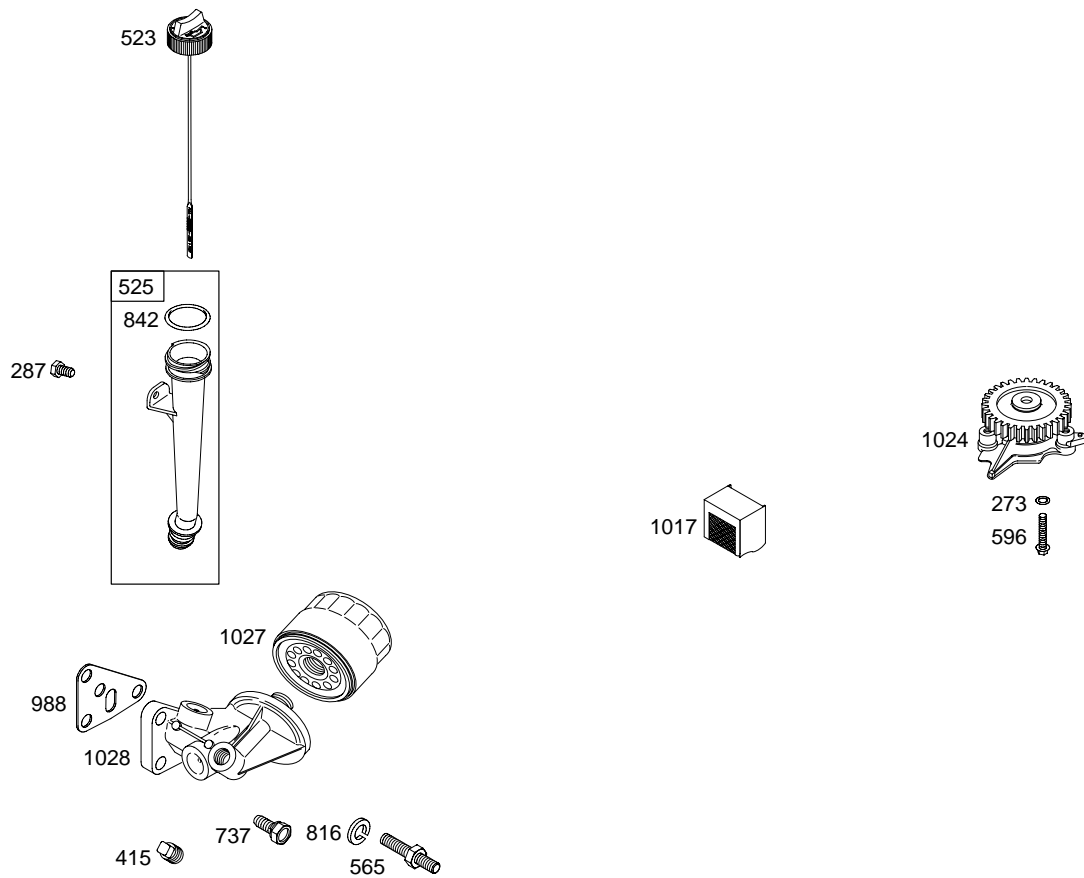


1036 EMISSION LABEL



697 





REF. NO.	PART NO.	DESCRIPTION	REF. NO.	PART NO.	DESCRIPTION	REF. NO.	PART NO.	DESCRIPTION
1	692545	Cylinder Assembly	35	692084	Spring-Valve (Intake)	208	691549	Rod-Governor Control
2	808534	Kit-Bushing/Seal (Magneto Side)	36	692084	Spring-Valve (Exhaust)	209	691506	Spring-Governor
3	★805101	Seal-Oil (Magneto Side)	40	692058	Retainer-Valve	211	692068	Spring-Governed Idle
4	841933	Sump-Engine	42	807683	Keeper-Valve	212	690712	Link-Throttle
5	809185	Head-Cylinder	45	690977	Tappet-Valve	222	808454	Bracket-Control
5A	809186	Head-Cylinder	46	691557	Camshaft	227	690236	Lever-Governor Control
7	★△690888	Gasket-Cylinder Head	50B	690754	Manifold-Intake	231	690718	Screw (Choke Valve)
11B	841017	Tube-Breather	51B	★△692035	Gasket-Intake	232	692073	Spring-Governor Link
12	★691684	Gasket-Crankcase	51C	★691694	Gasket-Intake	262	692083	Screw (Rod Bracket)
13	692059	Screw (Cylinder Head)	54	690676	Screw (Intake Manifold)	268	691025	Casing-Control Wire
15	690946	Plug-Oil Drain	73	841440	Screen-Rotating	269	691026	Wire-Control
16	841934	Crankshaft	74	841441	Screw (Rotating Screen)	270	691027	Nut (Control Wire Casing)
20	★805049	Seal-Oil (PTO Side)	75	691490	Washer (Flywheel)	271	691028	Lever-Control
22	807362	Screw (Crankcase Cover/Sump)	97	808397	Shaft-Throttle	273	★690681	Seal-O Ring (Oil Pump)
23	841728	Flywheel	98	808177	Kit-Idle Speed	276	690704	Washer-Sealing (Crankcase Cover/Sump)
25A	808326	Piston Assembly	122B	690748	Spacer-Carburetor			————— Note —————
		————— Note —————	125	808692	Carburetor			————— Note —————
		808337 Piston Assembly (.020" Oversize)	127	806460	Plug-Welch			806998 Washer-Sealing (LP/NG Fuel Switch)
26A	807889	Ring Set	146	691639	Key-Timing	276A	★807085	Washer-Sealing (Rocker Cover)
		————— Note —————	161	691561	Base-Air Cleaner (Metal)			
		807995 Ring Set (.020" Oversize)	163	★692081	Gasket-Air Cleaner	278	690237	Washer (Governor Control Lever)
27	690683	Lock-Piston Pin	165	693148	Nut (Ring Gear)	280	691526	Bracket-Rod
28A	807886	Pin-Piston	185	690939	Nut (Air Cleaner Base)	287	807084	Screw (Dipstick Tube)
29	807900	Rod-Connecting	187A	691050	Line-Fuel (Cut To Required Length)	304	841397	Housing-Blower
		————— Note —————	188	692056	Screw (Control Bracket)	305	692056	Screw (Blower Housing)
		807803 Rod-Connecting (.020" Undersize)	192	807623	Adjuster-Rocker Arm	305A	692062	Screw (Blower Housing)
32	690698	Screw (Connecting Rod)	197	807163	Screw (Back Plate)	305B	807163	Screw (Blower Housing)
33	807681	Valve-Exhaust	206	691244	Nut-Governor Adjusting			
34	807680	Valve-Intake						

★ Included in Engine Gasket Set-Ref. No. 358.

△ Included in Valve Gasket Set-Ref. No. 1095.

Illustrations cover a range of engines. Parts shown without corresponding text may not be used on your specific engine.
6196-15 Assemblies include all parts shown in frames. **08/05/2004**

359700

REF. NO.	PART NO.	DESCRIPTION	REF. NO.	PART NO.	DESCRIPTION	REF. NO.	PART NO.	DESCRIPTION
308	841232	Cover–Cylinder Head (Cylinder 1)	507	691972	Insulator	718	806469	Pin–Locating
308F	841182	Cover–Cylinder Head (Cylinder 2)	510	496881	Drive–Starter	726A	841663	Gear–Ring
309	691564	Motor–Starter	520	691084	Terminal–Ground	727	841313	Cover–Starter Drive
310	690323	Screw (Starter Motor)	523	692101	Dipstick	729B	690586	Clip–Wire
311A	497608	Brush Set	525	692093	Tube–Dipstick	732	690688	Screw (Starter Drive Cover)
332	690887	Nut (Flywheel)	529	690744	Grommet	732A	841233	Screw (Starter Drive Cover)
333	492341	Armature–Magneto	544A	693548	Armature–Starter	737	690679	Screw (Oil Filter Adapter)
334	692066	Screw (Magneto Armature)	552	690701	Bushing–Governor Crank	741	691530	Gear–Timing
337	491055	Plug–Spark	552A	806686	Bushing–Governor Crank	797	693167	Nut (Brush Retainer)
358	808704	Gasket Set–Engine	560	808693	Switch–LP/NG Fuel	797A	691029	Nut (Brush Retainer)
359	691077	Washer (Ground Terminal)	562	690239	Bolt (Governor Control Lever)	801	808777	Cap–Drive
363	19203	Puller–Flywheel	563	841233	Screw (Debris Screen Guard)	802A	691286	Cap–End
373A	691612	Nut (Ground Terminal)	565	690682	Stud (Oil Filter Adapter)	803A	693547	Housing–Starter
377	808095	Key–Woodruff	573	841310	Plate–Back	816	690706	Washer (Oil Filter Adapter)
383	19374	Wrench–Spark Plug	578A	692319	Wire Assembly	819	692056	Screw (Muffler Bracket)
385	807084	Screw (Fuel Pump)	596	691492	Screw (Oil Pump)	830	809157	Stud–Rocker Arm
413	693587	Nut (Starter Motor)	600	841016	Spacer–Air Cleaner	833	841233	Screw (Air Cleaner Mounting Strap/Stud)
415	690283	Plug	601	691145	Clamp–Hose	842	691870	Seal–O Ring (Dipstick Tube)
432	691509	Cap–Spring	615	691550	Retainer–Governor Shaft	851	493880	Terminal–Spark Plug
437	692062	Screw (Exhaust Manifold)	616	806685	Crank–Governor	862	692153	Strap/Stud–Air Cleaner Mounting
439	★692154	Seal–O Ring (Crankcase Cover/Sump)	633	695414	Seal–Choke/Throttle Shaft	865	807119	Cover–Air Guide
445	841359	Filter–Air Cleaner Cartridge	635	692076	Boot–Spark Plug	868	★△691963	Seal–Valve
447	841233	Screw (Air Guide Cover)	643	692079	Retainer–Air Filter	879A	807118	Cover–Carburetor
466	806466	Seal–O Ring (Breather Assembly)	654	690939	Nut (Carburetor)	883A	★△691613	Gasket–Exhaust
467	691985	Knob–Air Cleaner	689	691272	Spring–Friction	914	806421	Screw (Rocker Cover)
505	690238	Nut (Governor Control Lever)	691	690680	Seal–Governor Shaft	934	691058	Screw (Fan Retainer)
506	807120	Screw (Carburetor Cover)	695	693109	Screw (Ring Gear)			
			697	692062	Screw (Drive Cap)			
			711	807084	Screw (Carburetor Shield)			
			711B	841233	Screw (Carburetor Shield)			

★ Included in Engine Gasket Set–Ref. No. 358.

△ Included in Valve Gasket Set–Ref. No. 1095.

Illustrations cover a range of engines. Parts shown without corresponding text may not be used on your specific engine.
 6196–16 Assemblies include all parts shown in frames. 08/05/2004

REF. NO.	PART NO.	DESCRIPTION	REF. NO.	PART NO.	DESCRIPTION	REF. NO.	PART NO.	DESCRIPTION
967	272490	Filter-Pre Cleaner	1027	492932	Filter-Oil	1135	806497	Washer
968	699959	Cover-Air Cleaner	1028	808235	Adapter-Oil Filter			(Crankcase
988	★692063	Gasket-Oil Adapter	1029	807323	Arm-Rocker			Cover/Sump)
996	691577	Shield-Carburetor	1036	841935	Label-Emissions	1330	272144	Repair Manual
1004	807121	Duct-Air	1044	692056	Screw			
1005	841439	Fan-Flywheel			(Flywheel)			
1006	690452	Retainer-Fan	1051	691124	Ring-Retaining			
1017	690878	Screen-Oil Pump	1054	280275	Tie-Cable			
1019	808158	Kit-Label	1058	275071	Operator's Manual			
1022	★△806039	Gasket-Rocker Cover	1090	691293	Retainer-Brush			
1023	808648	Cover-Rocker	1095A	808391	Gasket Set-Valve			
1023B	691494	Cover-Rocker	1100	690973	Pivot-Rocker Arm			
1024	693186	Pump-Oil	1130	690869	Stud			
1025	690689	Spool-Governor			(Intake Manifold)			
1026	691836	Rod-Push (Intake)(Steel)						
		Note						
		691758 Rod-Push (Exhaust)(Aluminum)						

★ Included in Engine Gasket Set-Ref. No. 358.

△ Included in Valve Gasket Set-Ref. No. 1095.

Illustrations cover a range of engines. Parts shown without corresponding text may not be used on your specific engine.
6196-17 Assemblies include all parts shown in frames. **08/05/2004**