

381700

Illustrated Parts List

Model Series

381700

TYPE NUMBERS
0001 through 0115.

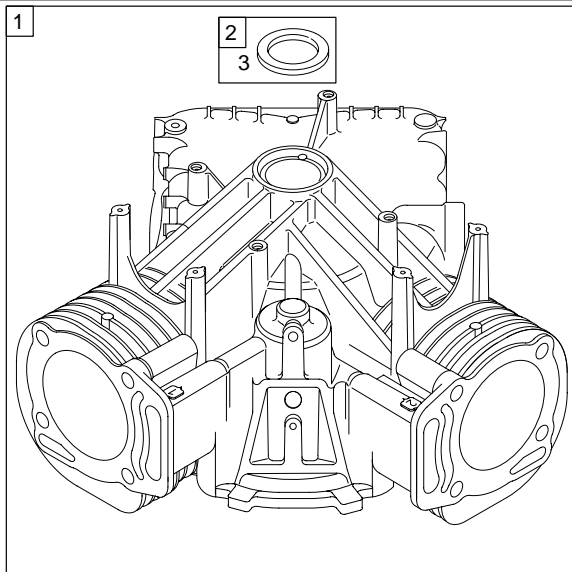
TABLE OF CONTENTS


Air Cleaner	8
Alternator	7
Blower Housing	11
Cams	4
Carburetor	5
Controls	7
Crankcase Cover/Sump	2
Crankshaft	4
Cylinder	2
Electric Starter	12
Flywheel	10
Fuel System	5
Governor Spring	7
Head/Valves	6
Ignition	7
Intake Manifolds	8
Kit/Carburetor Gaskets	3
Kit/Engine Gaskets	3
Kit/Valve Gaskets	3
Muffler Group	9
Oil Group	13
Piston Group	2
Rewind	9
Shrouds	11

PRINTED IN U.S.A.



COPYRIGHT by BRIGGS & STRATTON CORPORATION
All rights reserved. No part of this material may be reproduced or transmitted, in any form or by any means, electronic or mechanical, including photocopying, recording or by any information storage and retrieval system, without permission in writing from Briggs & Stratton Corporation.

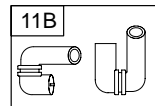


718B 

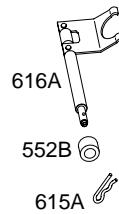
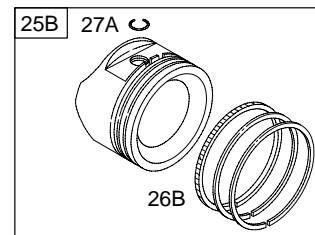
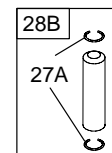
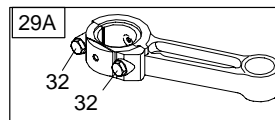
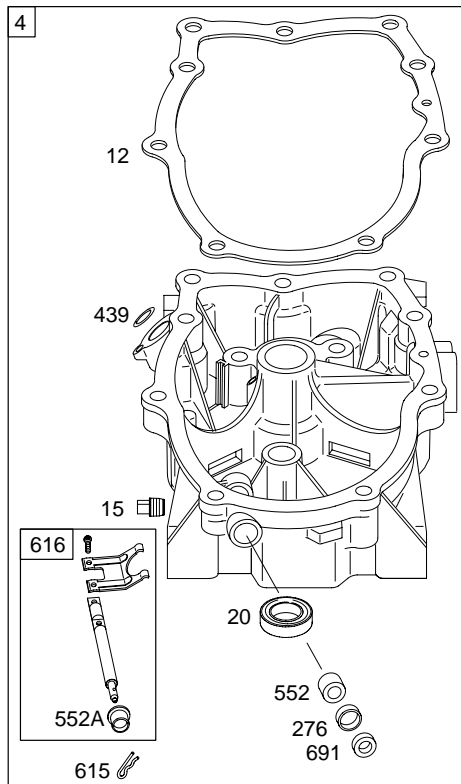
1019 LABEL KIT

1330 REPAIR MANUAL

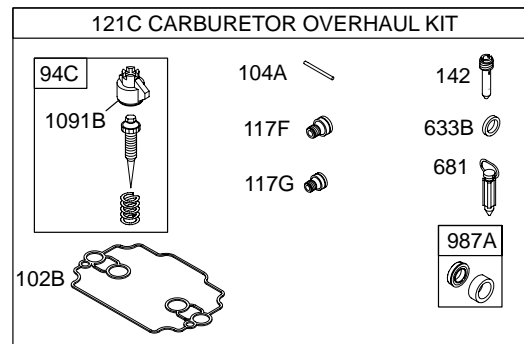
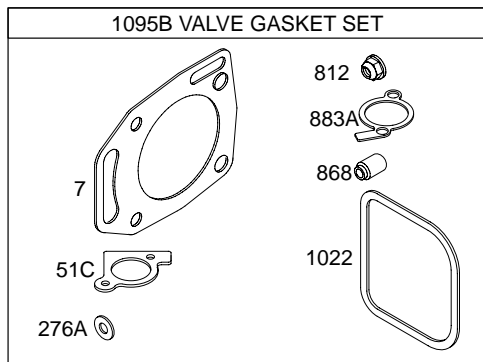
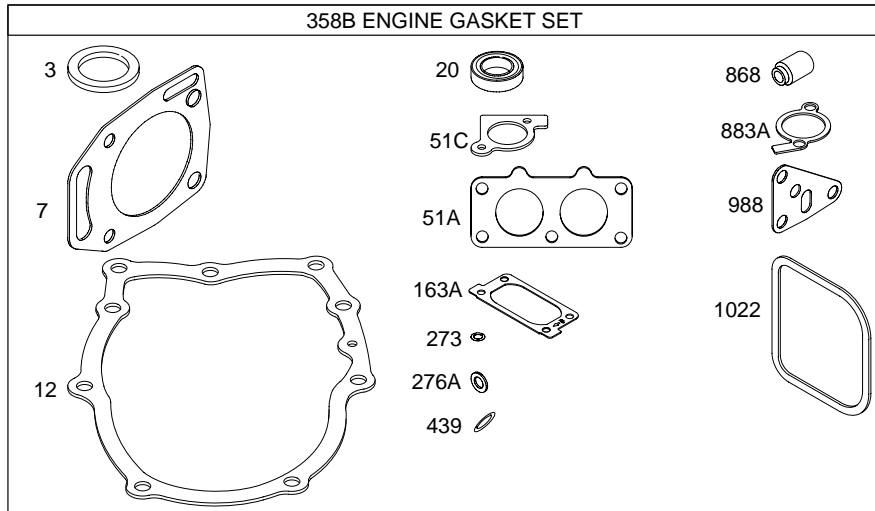
1058 OPERATOR'S MANUAL



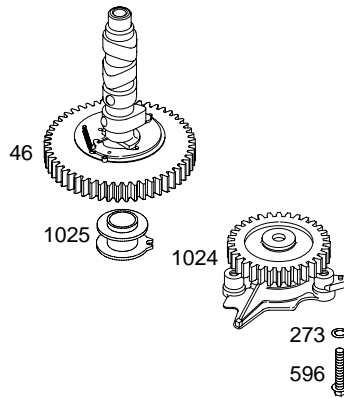
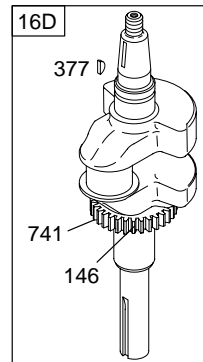
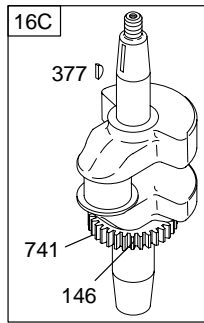
415 

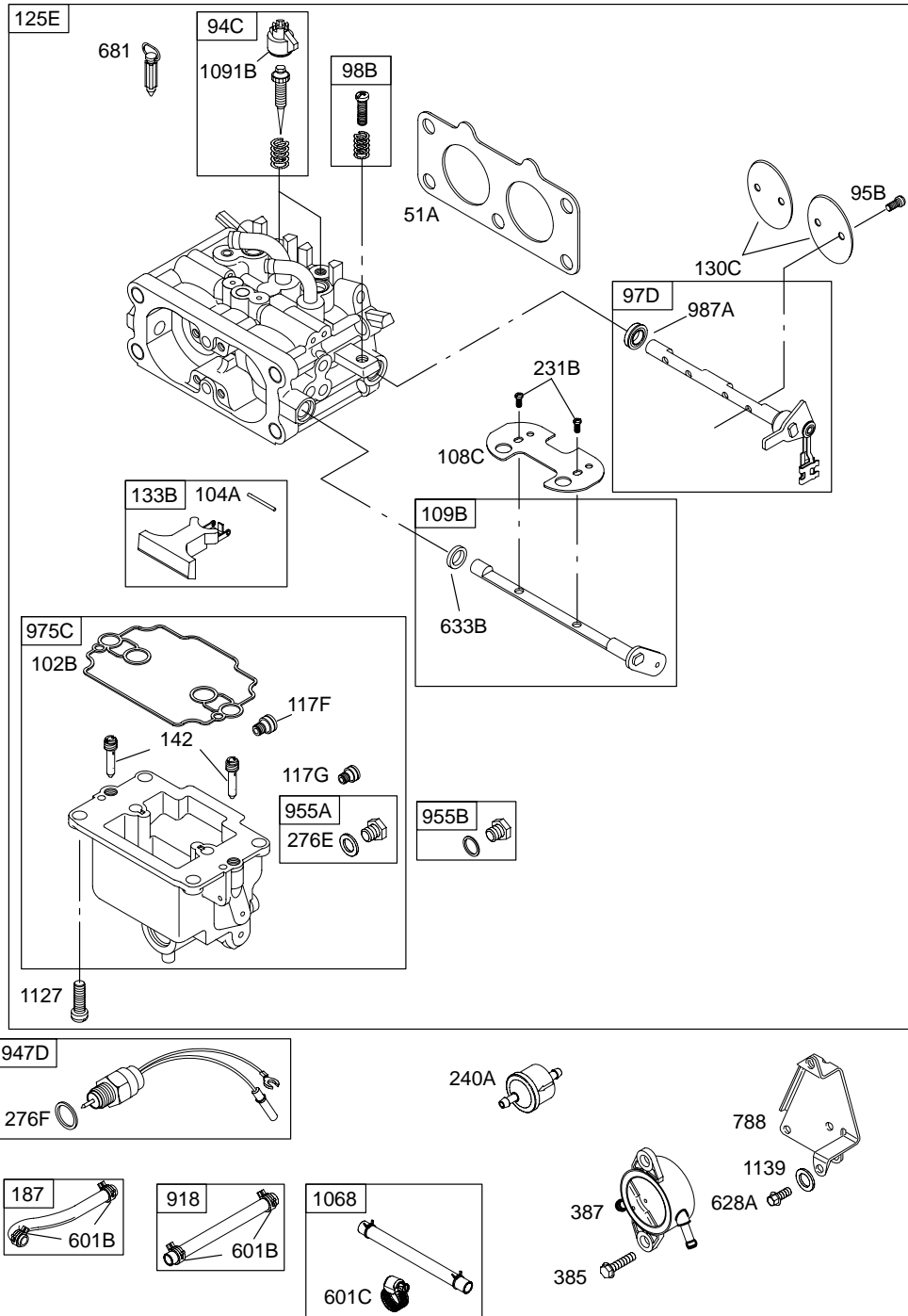


Illustrations cover a range of engines. Parts shown without corresponding text may not be used on your specific engine.
 6078-2 Assemblies include all parts shown in frames. 06/07/2004

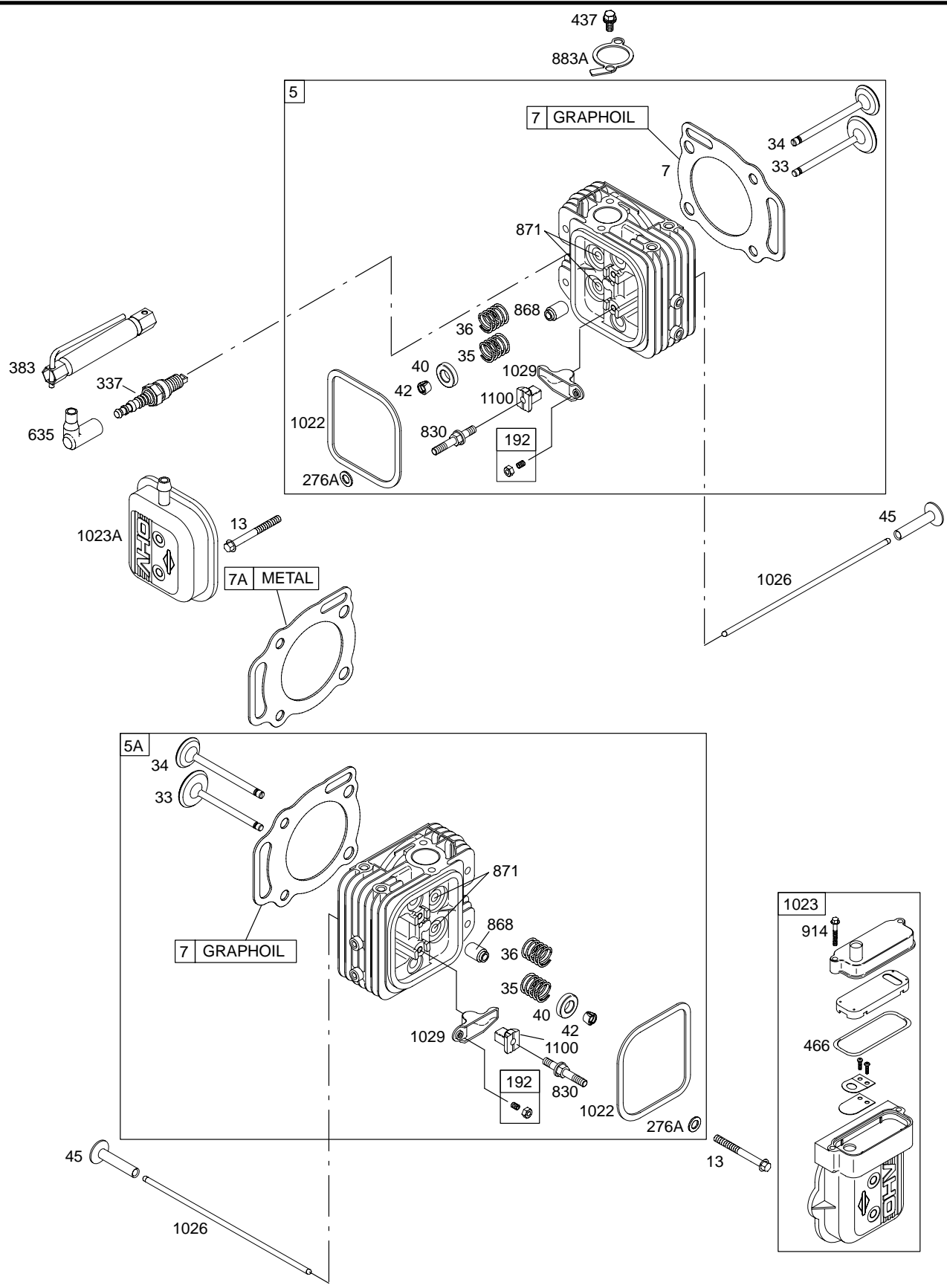


Illustrations cover a range of engines. Parts shown without corresponding text may not be used on your specific engine.
6078-3 Assemblies include all parts shown in frames. **06/07/2004**

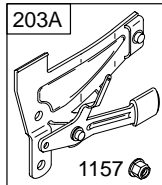
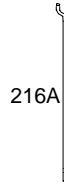
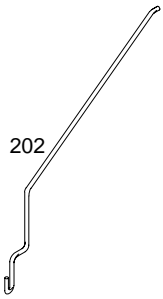




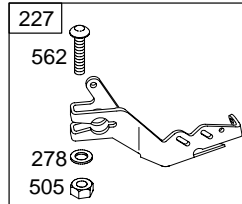
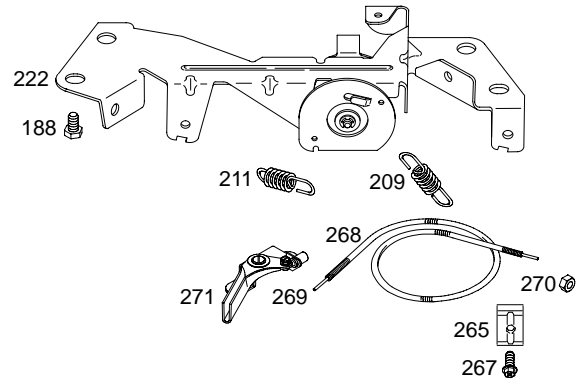
Illustrations cover a range of engines. Parts shown without corresponding text may not be used on your specific engine.
 6078-5 Assemblies include all parts shown in frames. 06/07/2004



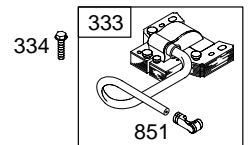
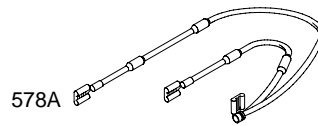
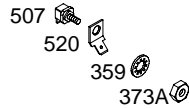
Illustrations cover a range of engines. Parts shown without corresponding text may not be used on your specific engine.
 6078-6 Assemblies include all parts shown in frames. 06/07/2004



1157
414



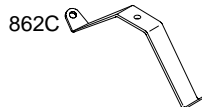
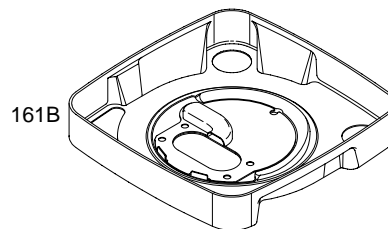
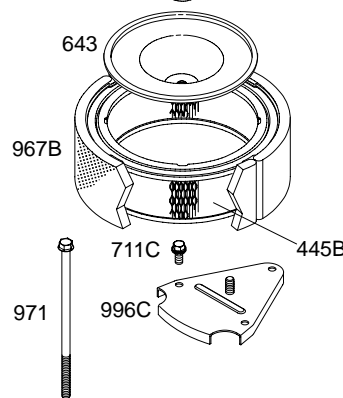
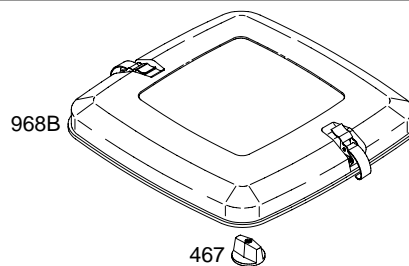
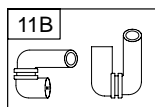
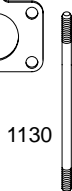
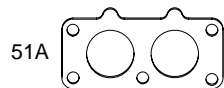
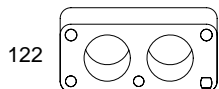
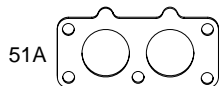
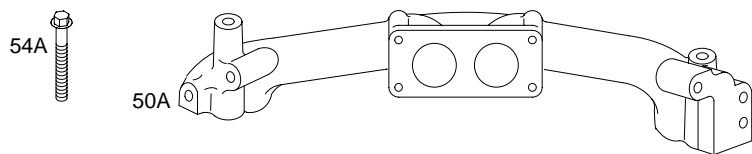
562
278
505

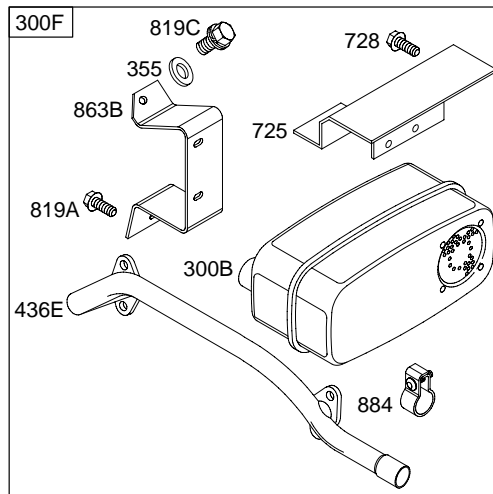
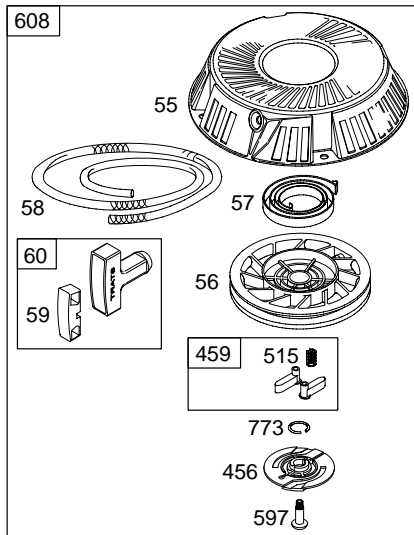


10 – 16 AMP
474D
877C
578
526 501

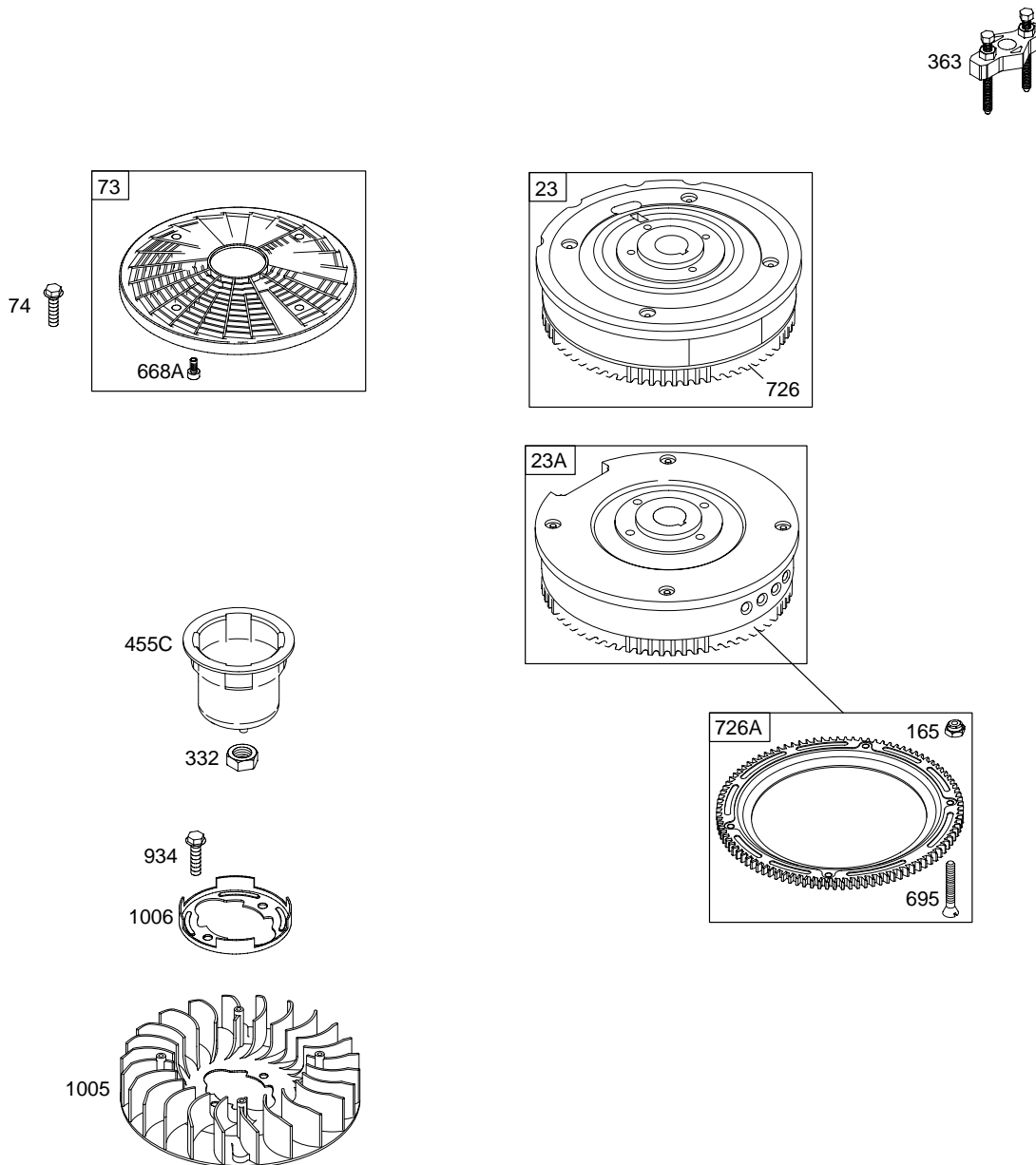
NOTE: All stators use a No. 1119 mounting screw.

NOTE: The proper flywheel part number and/or the alternator magnet size will determine the alternator type or output. See repair instruction manual for additional information.

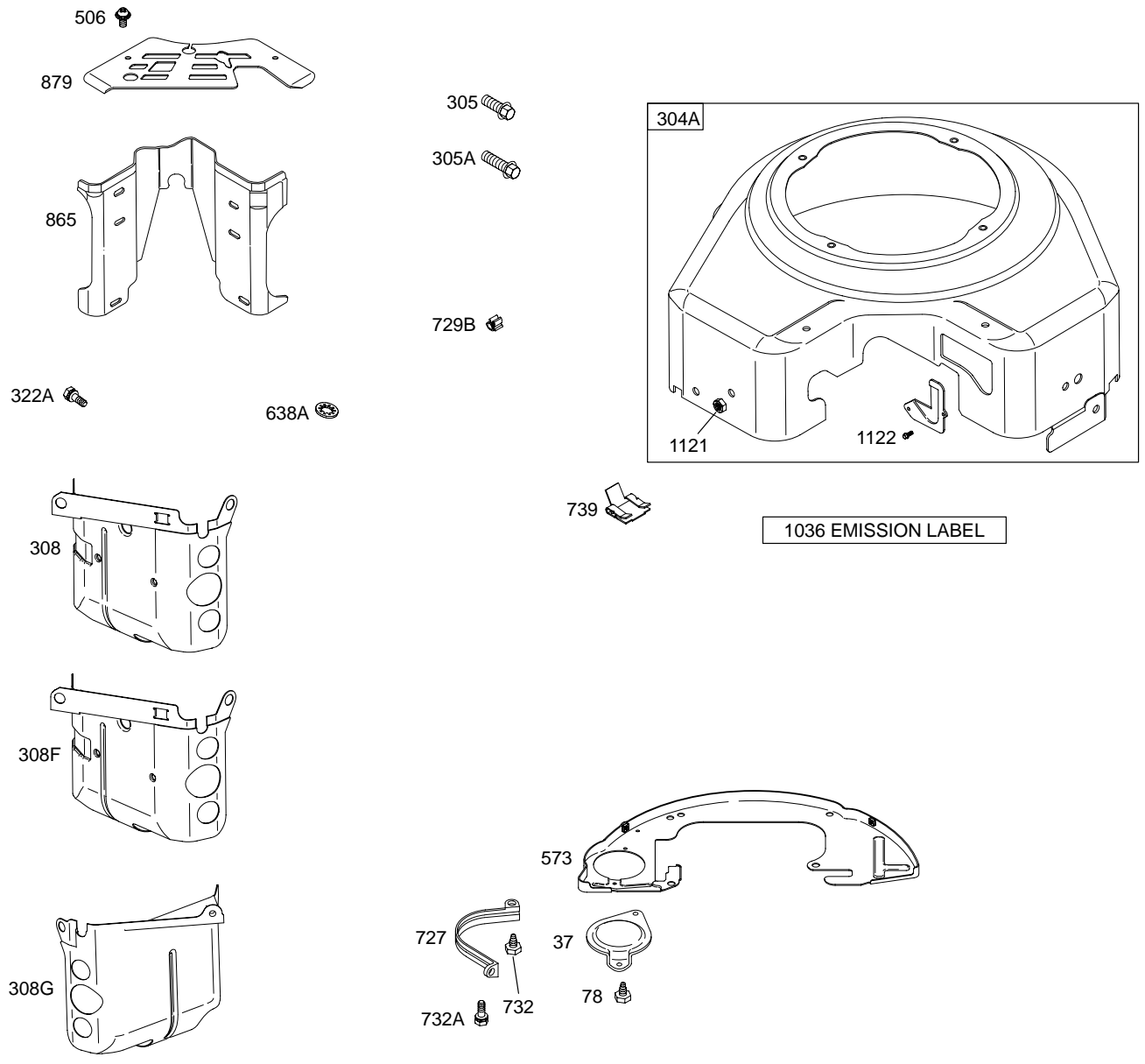




Illustrations cover a range of engines. Parts shown without corresponding text may not be used on your specific engine.
 6078-9 Assemblies include all parts shown in frames. 06/07/2004

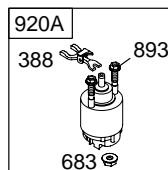
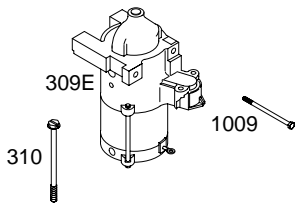
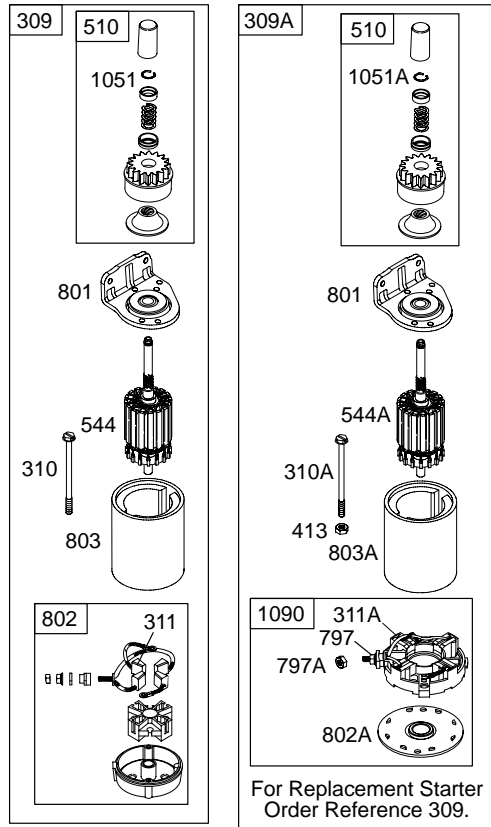


Illustrations cover a range of engines. Parts shown without corresponding text may not be used on your specific engine.
 6078-10 Assemblies include all parts shown in frames. 06/07/2004

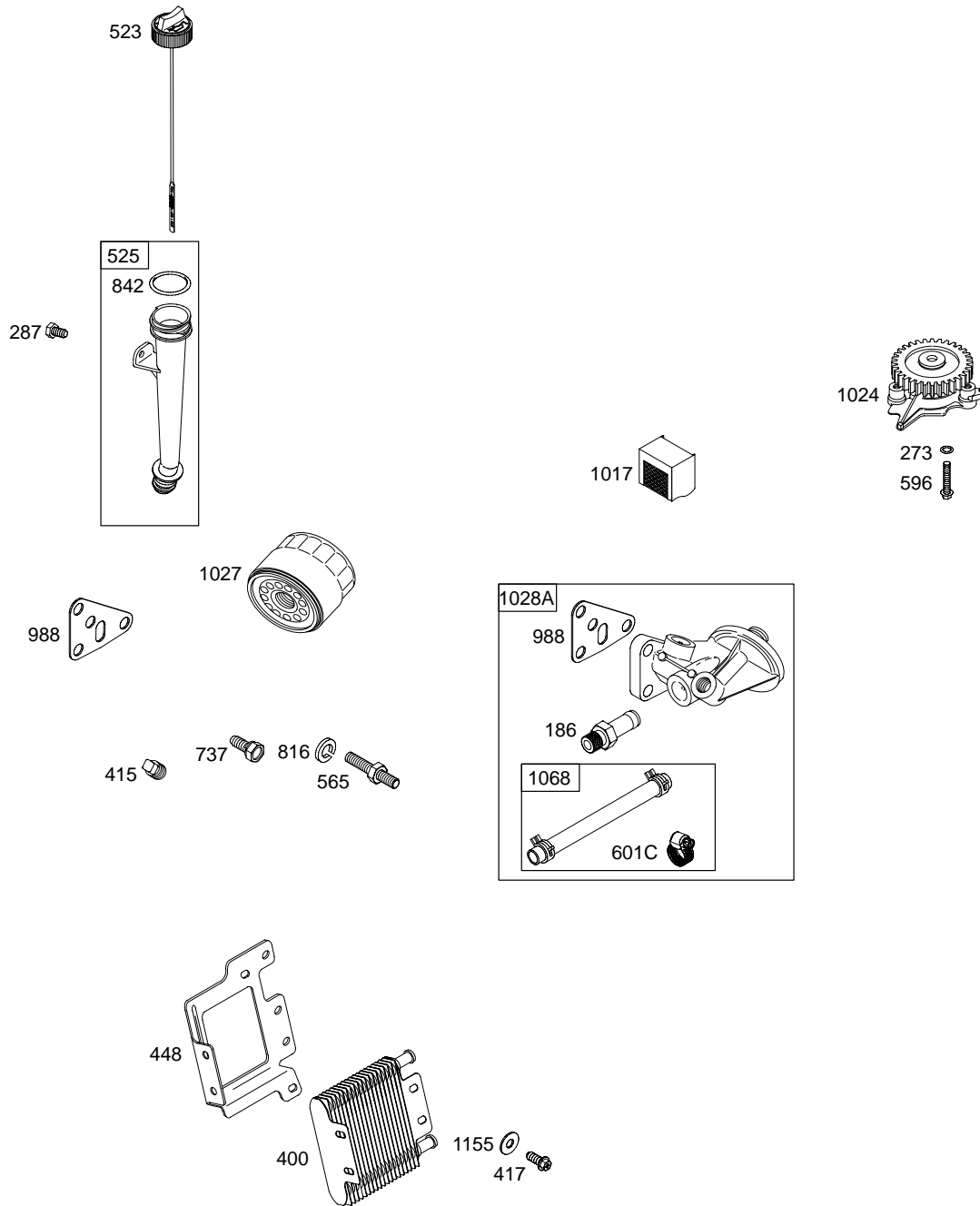


Illustrations cover a range of engines. Parts shown without corresponding text may not be used on your specific engine.
 6078-11 Assemblies include all parts shown in frames. 06/07/2004

697 



Illustrations cover a range of engines. Parts shown without corresponding text may not be used on your specific engine.
6078-12 Assemblies include all parts shown in frames. 06/07/2004



Illustrations cover a range of engines. Parts shown without corresponding text may not be used on your specific engine.
 6078-13 Assemblies include all parts shown in frames. 06/07/2004

381700

REF. NO.	PART NO.	DESCRIPTION	REF. NO.	PART NO.	DESCRIPTION	REF. NO.	PART NO.	DESCRIPTION
1	808647	Cylinder Assembly Note 808809 Cylinder Assembly Used on Type No(s). 0110.	25B	808527	Piston Assembly (Standard) Note 808652 Piston Assembly (.020" Oversize)	57	692086	Spring-Rewind Starter
2	808534	Kit-Bushing/Seal (Magneto Side)	26B	808528	Ring Set (Standard) Note 808661 Ring Set (.020" Oversize)	58	66574	Rope-Starter (Cut To Required Length)
3	★805101	Seal-Oil (Magneto Side)				59	805957	Insert-Grip
4	808846	Sump-Engine				60	808167	Grip-Starter Rope
5	808529	Head-Cylinder (Cylinder 1)	27A	806378	Lock-Piston Pin	65	691982	Screw (Rewind Starter)
5A	808530	Head-Cylinder (Cylinder 2)	28B	808526	Pin-Piston	73	494439	Screen-Rotating
7	★△806377	Gasket-Cylinder Head (Graphoil)	29A	808646	Rod-Connecting (Standard)	74	691647	Screw (Rotating Screen)
7A	805653	Gasket-Cylinder Head (Metal)	32	690698	Screw (Connecting Rod)	78	690688	Screw (Flywheel Guard)
11B	806379	Tube-Breather	33	806419	Valve-Exhaust	94C	●808257	Kit-Idle Mixture
12	★691684	Gasket-Crankcase	34	806420	Valve-Intake	95B	690718	Screw (Throttle Valve)
13	806865	Screw (Cylinder Head)	35	692084	Spring-Valve (Intake)	97D	808715	Shaft-Throttle
15	690946	Plug-Oil Drain (Square Head)	36	692084	Spring-Valve (Exhaust)	98B	808177	Kit-Idle Speed
16C	809829	Crankshaft Used on Type No(s). 0030, 0100, 0102, 0110, 0111, 0112.	37	690715	Guard-Flywheel (Black)	102B	●693711	Gasket-Carburetor Body
16D	809164	Crankshaft Used on Type No(s). 0115.	40	692058	Retainer-Valve	104A	●690882	Pin-Float Hinge
20	★805049	Seal-Oil (PTO Side)	42	807683	Keeper-Valve	108C	806372	Valve-Choke
22	807362	Screw (Crankcase Cover/Sump)	45	690977	Tappet-Valve	109B	808181	Shaft-Choke
23	808768	Flywheel (Steel Ring Gear)	46	690927	Camshaft	117F	●806374	Jet-Main (Standard)(Cylinder 1)
23A	690922	Flywheel (Rewind Start)	50A	806376	Manifold-Intake	117G	●806373	Jet-Main (Standard)(Cylinder 2)
			51A	★690950	Gasket-Intake (Manifold/Carburetor Spacer)	121C	808816	Kit-Carburetor Overhaul
			51C	★△806418	Gasket-Intake (Manifold/Heads)	122	690870	Spacer-Carburetor
			54A	806444	Screw (Intake Manifold)	125E	808714	Carburetor
			55	691568	Housing-Rewind Starter	130C	690884	Valve-Throttle
			56	692085	Pulley-Starter	133B	808180	Float-Carburetor
						142	●806375	Nozzle-Carburetor (Standard)
						146	691639	Key-Timing
						161B	808676	Base-Air Cleaner (Metal)
						163A	★692087	Gasket-Air Cleaner (Used With Metal Air Cleaner Base)

★ Included in Engine Gasket Set-Ref. No. 358.

● Included in Carburetor Overhaul Kit-Ref. No. 121.

◆ Included in Carburetor Gasket Set-Ref. No. 977.

△ Included in Valve Gasket Set-Ref. No. 1095.

Illustrations cover a range of engines. Parts shown without corresponding text may not be used on your specific engine.

REF. NO.	PART NO.	DESCRIPTION	REF. NO.	PART NO.	DESCRIPTION	REF. NO.	PART NO.	DESCRIPTION
165	693148	Nut (Ring Gear)	269	691026	Wire—Control (Cut To Required Length)	304A	808658	Housing—Blower (Red)
170	806445	Stud (Crankcase Cover/Sump)	270	691027	Nut (Control Wire Casing)			Note _____
185	690939	Nut (Air Cleaner Base)	271	691028	Lever—Control			808651 Housing— Blower
186	693184	Connector—Hose	273	★690681	Seal—O Ring (Oil Pump)	305	692056	Screw (Blower Housing) (14mm)
187	691050	Line—Fuel (Cut To Required Length)	276	690704	Washer—Sealing (Crankcase Cover/Sump)	305A	692062	Screw (Blower Housing) (12 mm)
188	692056	Screw (Control Bracket)	276A	★△807085	Washer—Sealing (Rocker Cover) (Used After Code Date 01120200).	308	841232	Cover—Cylinder Head (Cylinder 1) (Used After Code Date 03103100).
192	807623	Adjuster—Rocker Arm			Note _____	308F	841182	Cover—Cylinder Head (Cylinder 2) (Used After Code Date 03103100).
202	690867	Link—Mechanical Governor			691766			Note _____
203A	808753	Crank—Bell			Washer—Sealing (Rocker Cover) (Used Before Code Date 01120300).			806547
209	692070	Spring—Governor (Red)	276E	690724	Washer—Sealing (Carburetor Plug) Used on Type No(s). 0112.			Cover—Cylinder Head (Cylinder 1) (Used Before Code Date 03110100).
		Note _____	276F	693497	Washer—Sealing Used on Type No(s). 0112.	308G	806546	Cover—Cylinder Head (Cylinder 2) (Used After Code Date 98120100 and Before Code Date 03110100).
		692071 Spring— Governor (White) Used on Type No(s). 0112.			278	690237	Washer (Governor Control Lever)	692805
211	692069	Spring—Governed Idle			287	692537	Screw (Dipstick Tube)	Cover—Cylinder Head (Cylinder 2) (Used Before Code Date 98113000).
216A	690871	Link—Choke			300B	498984	Muffler Used on Type No(s). 0112.	
222	808454	Bracket—Control			300F	807752	Muffler Used on Type No(s). 0112.	
227	690236	Lever—Governor Control						309 691564 Motor—Starter (Steel Ring Gear Only)
231B	690718	Screw (Choke Valve)						
232A	690874	Spring—Governor Link						
240A	691035	Filter—Fuel (Includes Paper Element With A 40 Micron Rating)						
265	691024	Clamp—Casing						
267	692083	Screw (Casing Clamp)						
268	691025	Casing—Control Wire (Cut To Required Length)						

★ Included in Engine Gasket Set—Ref. No. 358.

● Included in Carburetor Overhaul Kit—Ref. No. 121.

◆ Included in Carburetor Gasket Set—Ref. No. 977.

△ Included in Valve Gasket Set—Ref. No. 1095.

Illustrations cover a range of engines. Parts shown without corresponding text may not be used on your specific engine.
6078-15 Assemblies include all parts shown in frames. 06/07/2004

381700

REF. NO.	PART NO.	DESCRIPTION	REF. NO.	PART NO.	DESCRIPTION	REF. NO.	PART NO.	DESCRIPTION
309A		Motor–Starter (For Replacement Starter Motor, Order Reference 309A)	413	693587	Nut (Starter Motor)	523	692101	Dipstick
309E	808726	Motor–Starter Used on Type No(s). 0110.	414	690344	Washer (Bell Crank)	525	692093	Tube–Dipstick
310	496880	Screw (Starter Motor)	415	690283	Plug (Square Head)	526	692067	Screw (Regulator)
310A	690323	Screw (Starter Motor)	417	810074	Screw (Oil Cooler)	529	690744	Grommet
311	496887	Brush Set	436E	808916	Manifold–Exhaust Used on Type No(s). 0112.	544	690855	Armature–Starter
311A	497608	Brush Set	436F	805609	Manifold–Exhaust	544A	693548	Armature–Starter
322A	807163	Screw (Cylinder Head Cover)	437	691902	Screw (Exhaust Manifold)	552	690701	Bushing–Governor Crank
		Note	439	★692154	Seal–O Ring (Crankcase Cover/Sump)	552A	806686	Bushing–Governor Crank (Used After Code Date 99072000).
		841233 Screw (Cylinder Head Cover)	445B	692519	Filter–Air Cleaner Cartridge (Round)	552B	690702	Bushing–Governor Crank (Used Before Code Date 99072100).
332	690887	Nut (Flywheel)	448	806423	Bracket–Oil Cooler	562	690239	Bolt (Governor Control Lever)
333	492341	Armature–Magneto	455C	690864	Cup–Flywheel	565	690682	Stud (Oil Filter Adapter)
334	692066	Screw (Magneto Armature)	456	691529	Plate–Pawl Friction	573	841310	Plate–Back Note
337	491055	Plug–Spark	459	808166	Pawl–Ratchet			693045 Plate–Back Used on Type No(s). 0110, 0112.
355	690237	Washer (Muffler Bracket)	466	806466	Seal–O Ring (Breather Assembly)	578	692306	Wire Assembly
357	691483	Key–Drive Pulley Used on Type No(s). 0112.	467	691985	Knob–Air Cleaner	578A	692319	Wire Assembly (With Diodes)
358B	808617	Gasket Set–Engine	474D	696458	Alternator (Regulated)	596	691492	Screw (Oil Pump)
359	691077	Washer (Ground Terminal)	501	691185	Regulator (3 Wire)(16 Amp)	597	690876	Screw (Pawl Friction Plate)
363	19203	Puller–Flywheel	505	690238	Nut (Governor Control Lever)	601B	95162	Clamp–Hose (Silver)
373A	691612	Nut (Ground Terminal)	506	690677	Screw (Carburetor Cover)	601C	691145	Clamp–Hose (Silver)
377	808095	Key–Woodruff	507	691972	Insulator			Note
383	19374	Wrench–Spark Plug	510	496881	Drive–Starter			691038 Clamp–Hose (Black)
385	693169	Screw (Fuel Pump)	515	691528	Spring–Pawl			Used on Type No(s). 0112.
387	808656	Pump–Fuel	520	691084	Terminal–Ground (Brass)			
388	820799	Lever–Pinion Drive						
400	808657	Cooler–Oil						

★ Included in Engine Gasket Set–Ref. No. 358.

● Included in Carburetor Overhaul Kit–Ref. No. 121.

◆ Included in Carburetor Gasket Set–Ref. No. 977.

△ Included in Valve Gasket Set–Ref. No. 1095.

Illustrations cover a range of engines. Parts shown without corresponding text may not be used on your specific engine.

REF. NO.	PART NO.	DESCRIPTION	REF. NO.	PART NO.	DESCRIPTION	REF. NO.	PART NO.	DESCRIPTION
608	692102	Starter–Rewind	726A	841663	Gear–Ring (Aluminum)	833A	807163	Screw (Air Cleaner Mounting Strap/Stud)
613	691902	Screw (Muffler) Used on Type No(s). 0112.	727	841313	Cover–Starter Drive (Black)			Note
615	691550	Retainer–Governor Shaft (Used After Code Date 99072000).	728	690297	Screw (Heat Shield)			841233 Screw (Air Cleaner Mounting Strap/Stud)
615A	805417	Retainer–Governor Shaft (Used Before Code Date 99072100).	729B	690586	Clip–Wire (Snap In)(Nylon)	842	691870	Seal–O Ring (Dipstick Tube)
616	806685	Crank–Governor (Used After Code Date 99072000).	732	690688	Screw (Starter Drive Cover) Used on Type No(s). 0112.	851	493880	Terminal–Spark Plug
616A	690899	Crank–Governor (Used Before Code Date 99072100).	732A	841233	Screw (Starter Drive Cover)	862C	806440	Strap/Stud–Air Cleaner Mounting
628A	692062	Screw (Fuel Pump Bracket)	737	690679	Screw (Oil Filter Adapter)	863B	805610	Bracket–Muffler
633B	690722	Seal–Choke/Throttle Shaft	739	690451	Clip–Debris	865	841312	Cover–Air Guide (Black)
635	692076	Boot–Spark Plug	741	691530	Gear–Timing	868	691963	Seal–Valve
638A	691551	Washer (Cylinder Head Cover)	743	690875	Retainer (Pawl Friction Plate)	871	692057	Bushing–Valve Guide
643	692079	Retainer–Air Filter	773	690875	Retainer (Pawl Friction Plate)	877C	399916	Wire/Connector–Alternator (2 Wires, 7–53/64" Long)(2 Bare Wire Ends, And Insulated Snap ConnectMale Pin Terminal)
668A	691500	Spacer (Knurled Insert)	788	691559	Bracket–Fuel Pump	879	690757	Cover–Carburetor
681	808798	Kit–Needle/Seat	797	693167	Nut (Brush Retainer)	883A	806425	Gasket–Exhaust
683	710081	Nut (Starter Solenoid)	797A	691029	Nut (Brush Retainer)	884	691956	Clamp–Muffler (1 1/4" Inside Diameter)
691	690680	Seal–Governor Shaft	801	808778	Cap–Drive	893	710068	Nut (Starter Solenoid)
695	693109	Screw (Ring Gear)	802	496813	Cap–End	914	806421	Screw (Rocker Cover)
697	692062	Screw (Drive Cap)	802A	691286	Cap–End	918	393815	Hose–Vacuum (Cut To Required Length)
711C	691492	Screw (Carburetor Shield)	803	690854	Housing–Starter	920A	825418	Solenoid–Starter
718B	806469	Pin–Locating	803A	693547	Housing–Starter	934	691058	Screw (Fan Retainer)
725	806102	Shield–Heat	812	692055	Nut (Rocker Cover)	947D	808624	Solenoid–Fuel
726		Gear–Ring (Steel)(See Reference 23 for Service)	816	690706	Washer (Oil Filter Adapter)	955A	807723	Plug–Carburetor (M9)
			819A	690297	Screw (Muffler Bracket)			
			819C	692537	Screw (Muffler Bracket)			
			830	809157	Stud–Rocker Arm			
			833	807084	Screw (Air Cleaner Mounting Strap/Stud)			

★ Included in Engine Gasket Set–Ref. No. 358.

● Included in Carburetor Overhaul Kit–Ref. No. 121.

◆ Included in Carburetor Gasket Set–Ref. No. 977.

△ Included in Valve Gasket Set–Ref. No. 1095.

Illustrations cover a range of engines. Parts shown without corresponding text may not be used on your specific engine.

381700

REF. NO.	PART NO.	DESCRIPTION	REF. NO.	PART NO.	DESCRIPTION	REF. NO.	PART NO.	DESCRIPTION
955B	808176	Plug-Carburetor (M12)	1027	492932	Filter-Oil (2 1/4" Long)	1121	810056	Nut (Fuel Pump Bracket)
967B	692520	Filter-Pre Cleaner (Round)	1028A	808537	Adapter-Oil Filter	1122	93410	Screw (Blower Housing Adapter)
968B	808654	Cover-Air Cleaner (Used With Metal Air Cleaner Base)	1029	807323	Arm-Rocker	1127	690885	Screw (Float Bowl) (Mount Float Bowl To Carburetor Body)
971	690866	Screw (Air Cleaner Base to Carburetor)	1036	806889	Label-Emissions (Used After Code Date 00063000). ———— Note ———— 806699 Label-Emissions (Used After Code Date 99093000 and Before Code Date 00070100). 806644 Label-Emissions (Used After Code Date 98123100 and Before Code Date 99100100). 692817 Label-Emissions (Used Before Code Date 99010100).	1130	690869	Stud (Intake Manifold)
975C	808628	Bowl-Float				1131	806446	Nut (Crankcase Cover/Sump)
987A	●692090	Seal-Throttle Shaft				1135	806497	Washer (Crankcase Cover/Sump)
988	★692063	Gasket-Oil Adapter				1139	806497	Washer (Fuel Pump Bracket)
996C	690917	Shield-Carburetor				1155	806647	Washer (Oil Cooler)
1004B	690865	Duct-Air (Used With Metal Air Cleaner Base)				1157	806447	Nut (Bell Crank)
1005	690911	Fan-Flywheel				1330	272144	Repair Manual
1006	690452	Retainer-Fan						
1009	806474	Screw (Starter Motor)						
1017	690878	Screen-Oil Pump						
1019	808539	Kit-Label	1051	690736	Ring-Retaining			
1022	★△806039	Gasket-Rocker Cover	1051A	691124	Ring-Retaining			
1023	808648	Cover-Rocker (Includes Breather Assembly)	1054	280275	Tie-Cable			
1023A	691558	Cover-Rocker (Cylinder 1) (With Fuel Pump)	1058	275071	Operator's Manual			
1024	693186	Pump-Oil	1068	499501	Hose/Clamp Assembly			
1025	690689	Spool-Governor	1090	691293	Retainer-Brush			
1026	691836	Rod-Push (Intake)(Steel) ———— Note ———— 691758 Rod-Push (Exhaust)(Aluminum)	1091B	●691516	Cap-Limiter			
			1095B	808619	Gasket Set-Valve			
			1100	690973	Pivot-Rocker Arm			
			1119	691552	Screw (Alternator)			

★ Included in Engine Gasket Set-Ref. No. 358.

● Included in Carburetor Overhaul Kit-Ref. No. 121.

◆ Included in Carburetor Gasket Set-Ref. No. 977.

△ Included in Valve Gasket Set-Ref. No. 1095.

Illustrations cover a range of engines. Parts shown without corresponding text may not be used on your specific engine.