

384400

Illustrated Parts List

Model Series

384400

TYPE NUMBERS
0100 through 0112.

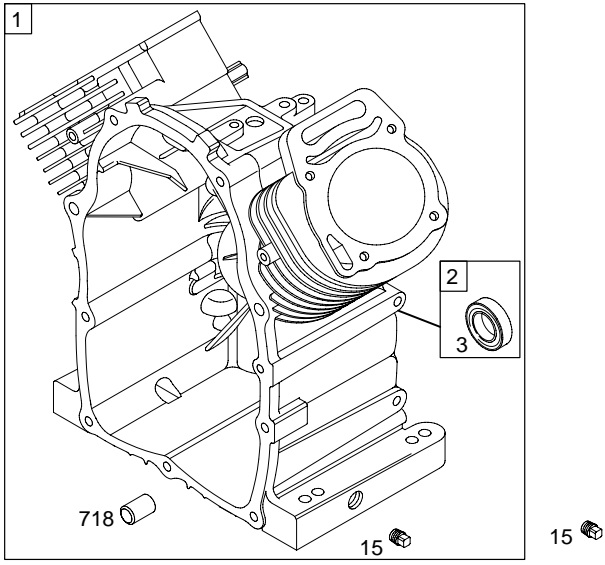
TABLE OF CONTENTS

Air Cleaners	9
Alternator	14
Blower Housing	12
Camshaft	2
Carburetor	8
Controls	10
Crankcase Cover	4
Crankshaft	2
Cylinder	2
Cylinder Heads	3
Electric Starter	15
Flywheel	13
Gasket Set – Engine	7
Gasket Set – Valves	6
Governor Spring	10
Ignition	14
Intake Manifold	4
Lubrication	5
Piston, Rings, Connecting Rod	2
Shrouds	11
Valves	3



PRINTED IN U.S.A.

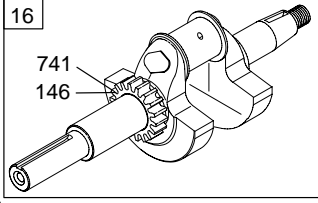
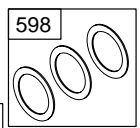
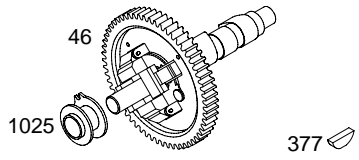
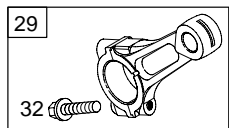
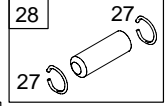
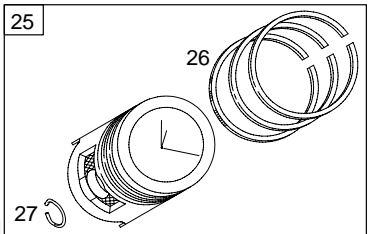
COPYRIGHT by BRIGGS & STRATTON CORPORATION
All rights reserved. No part of this material may be reproduced or transmitted, in any form or by any means, electronic or mechanical, including photocopying, recording or by any information storage and retrieval system, without permission in writing from Briggs & Stratton Corporation.



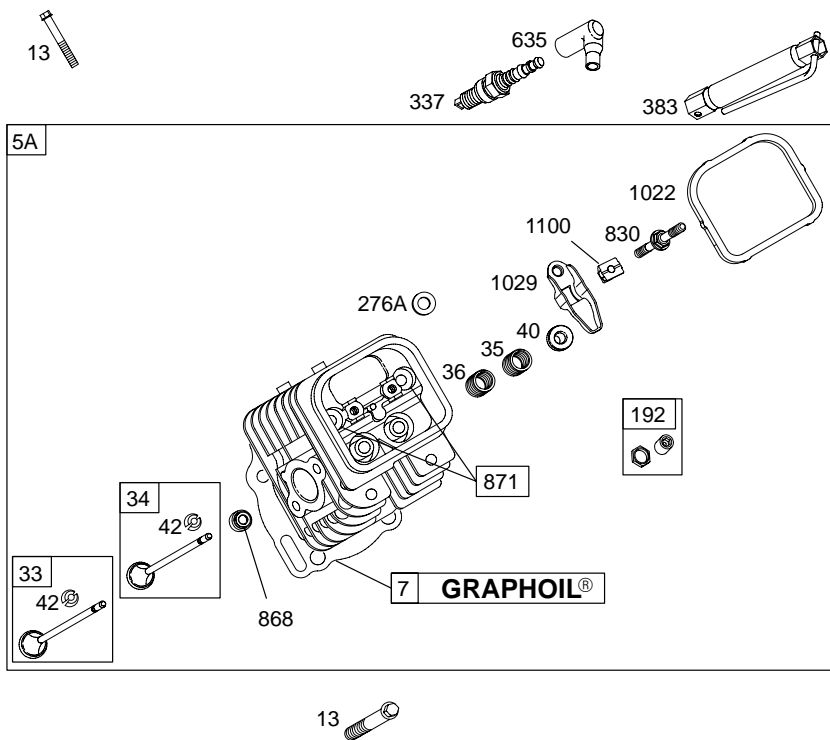
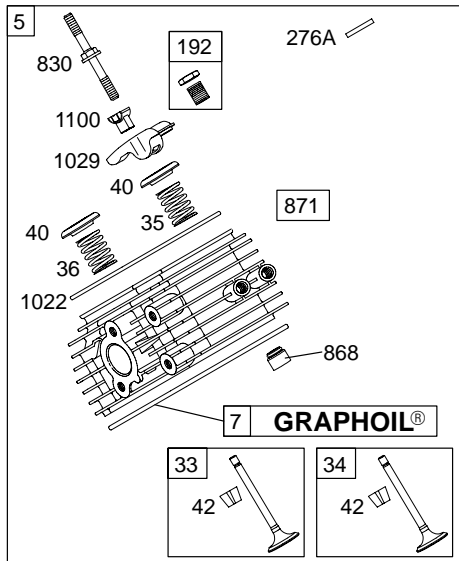
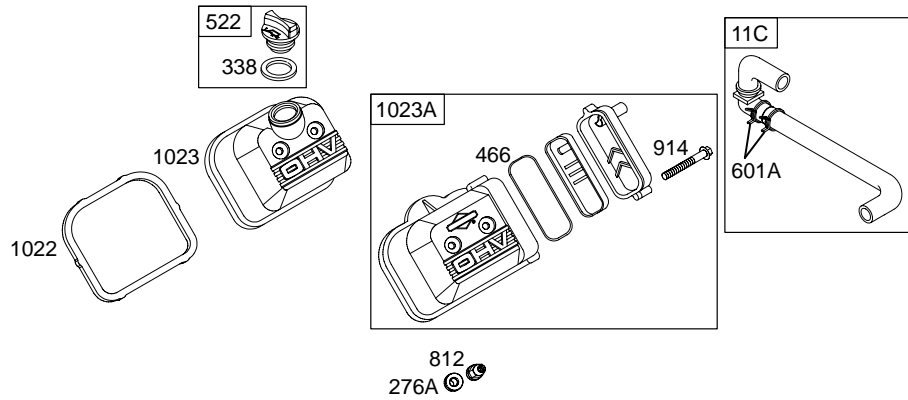
1019 LABEL KIT

1058 OPERATOR'S MANUAL

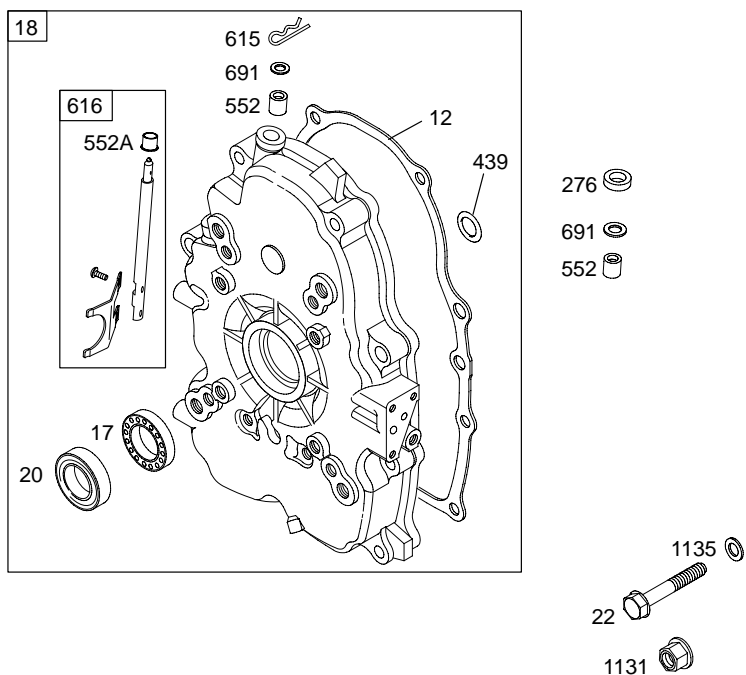
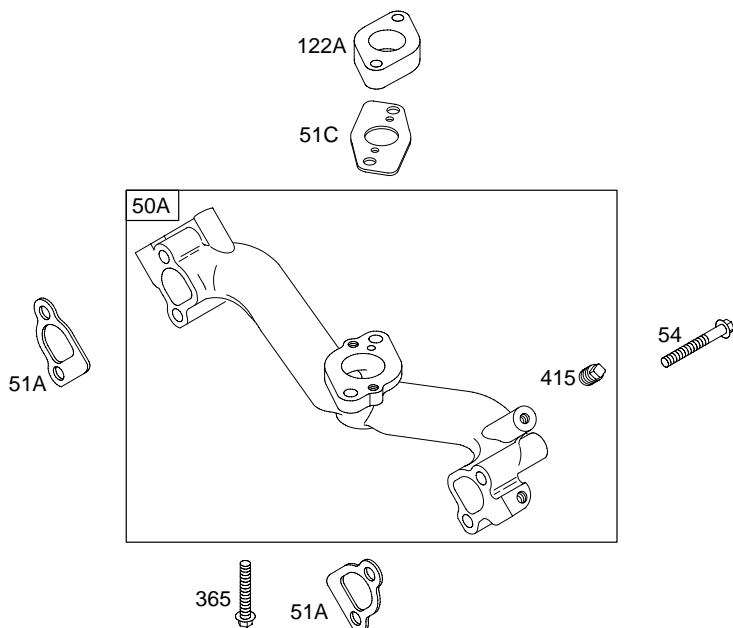
1330 REPAIR MANUAL



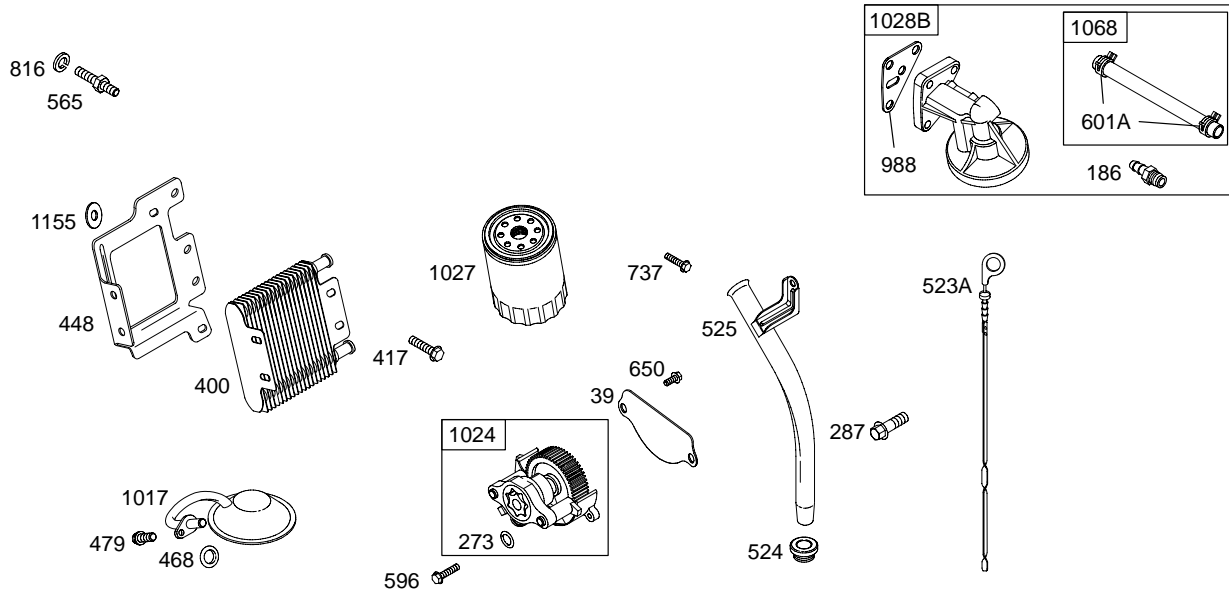
Illustrations cover a range of engines. Parts shown without corresponding text may not be used on your specific engine.
 6652-2 Assemblies include all parts shown in frames. 6/16/2004



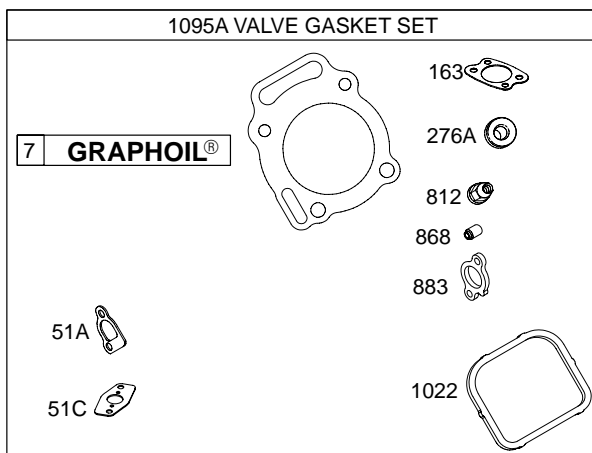
Illustrations cover a range of engines. Parts shown without corresponding text may not be used on your specific engine.
 6652-3 Assemblies include all parts shown in frames. 6/16/2004

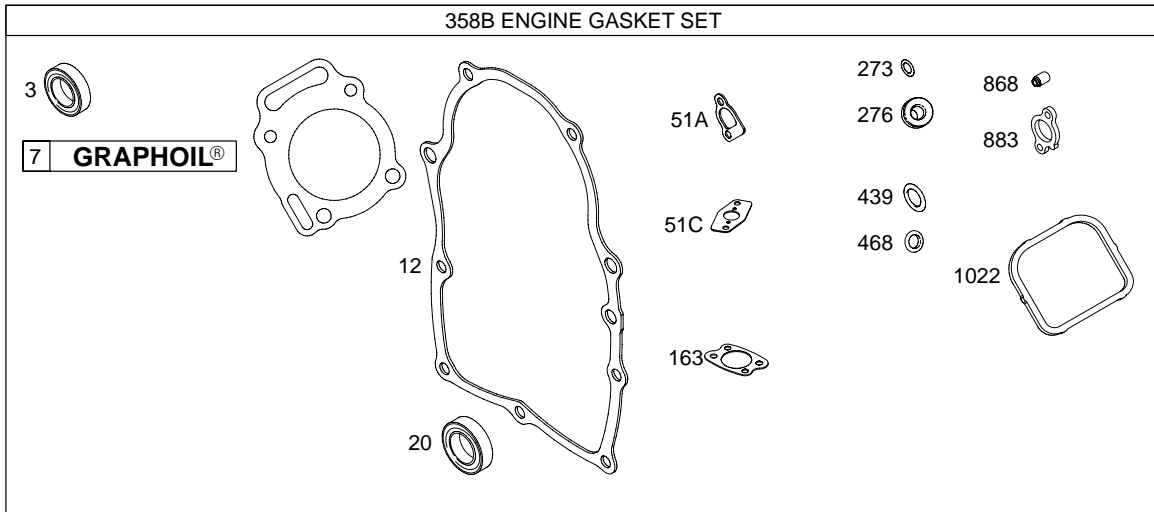


Illustrations cover a range of engines. Parts shown without corresponding text may not be used on your specific engine.
 6652-4 Assemblies include all parts shown in frames. 6/16/2004

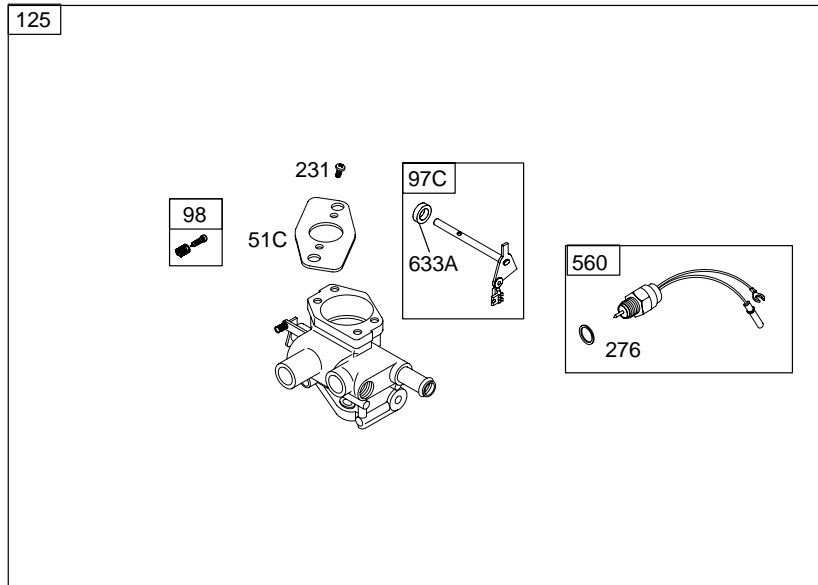
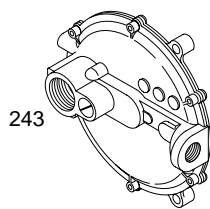


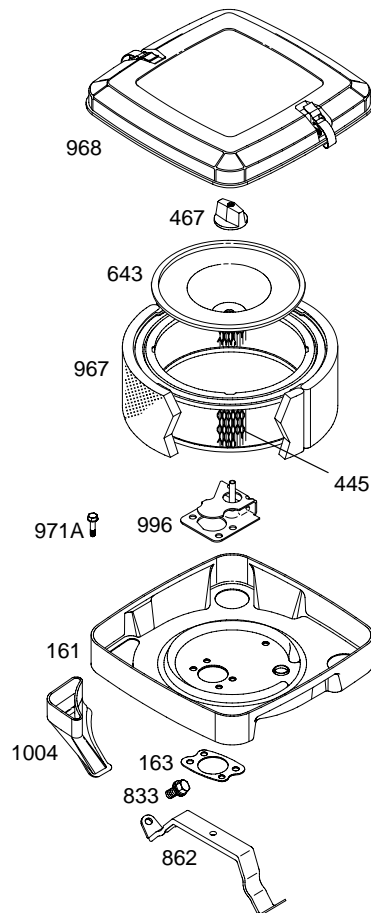
Illustrations cover a range of engines. Parts shown without corresponding text may not be used on your specific engine.
 6652-5 Assemblies include all parts shown in frames. 6/16/2004



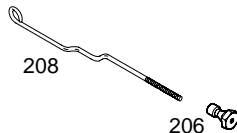
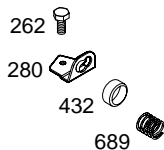
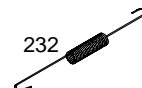
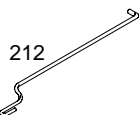
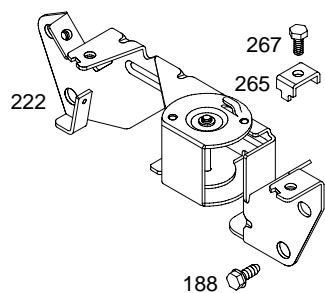
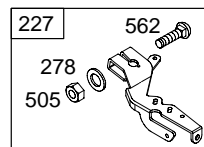
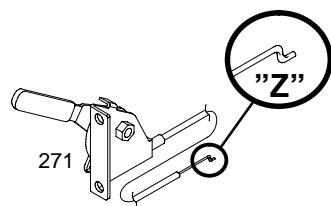


Illustrations cover a range of engines. Parts shown without corresponding text may not be used on your specific engine.

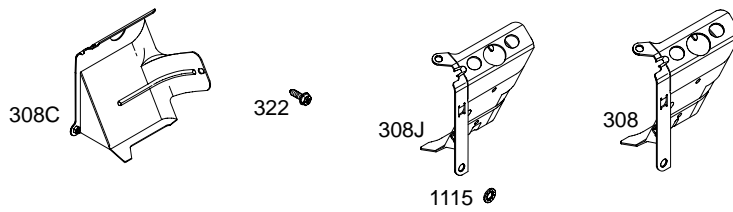
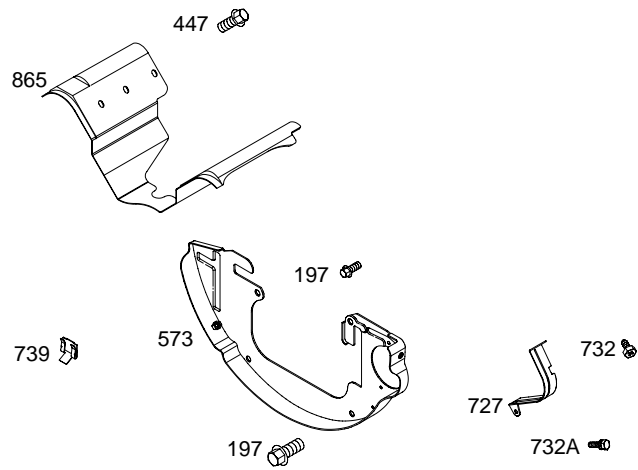




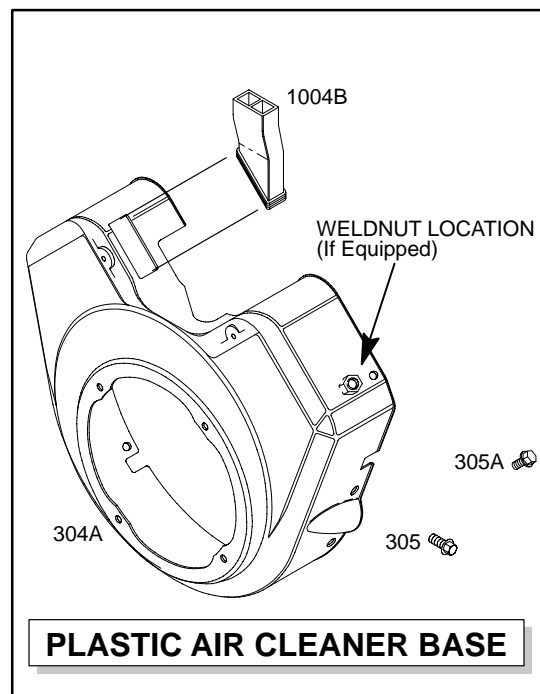
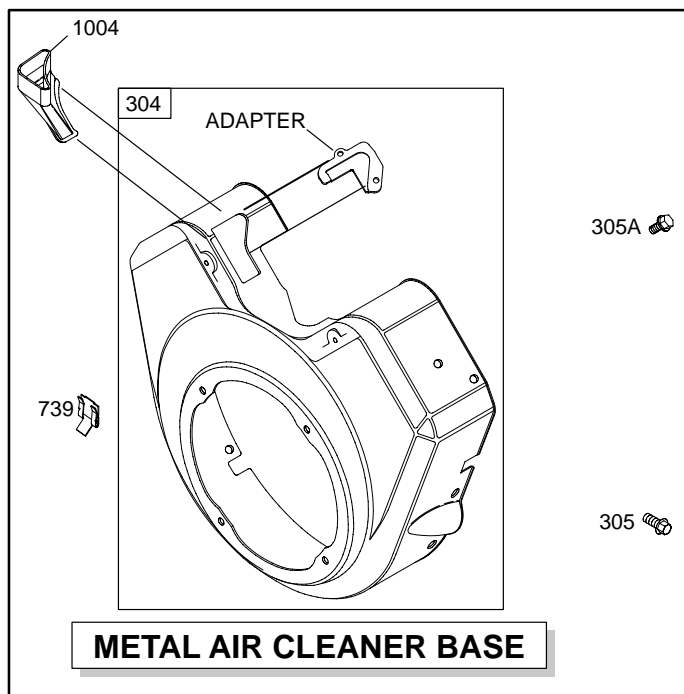
Illustrations cover a range of engines. Parts shown without corresponding text may not be used on your specific engine.



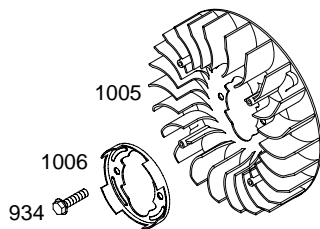
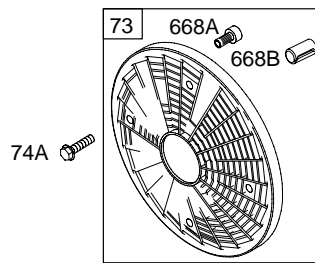
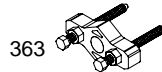
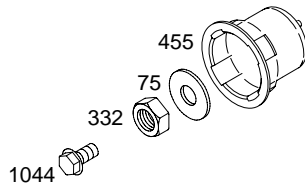
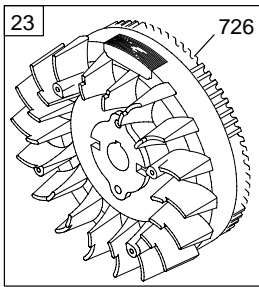
Illustrations cover a range of engines. Parts shown without corresponding text may not be used on your specific engine.



Illustrations cover a range of engines. Parts shown without corresponding text may not be used on your specific engine.
6652-11 Assemblies include all parts shown in frames. 6/16/2004




1036 EMISSION LABEL

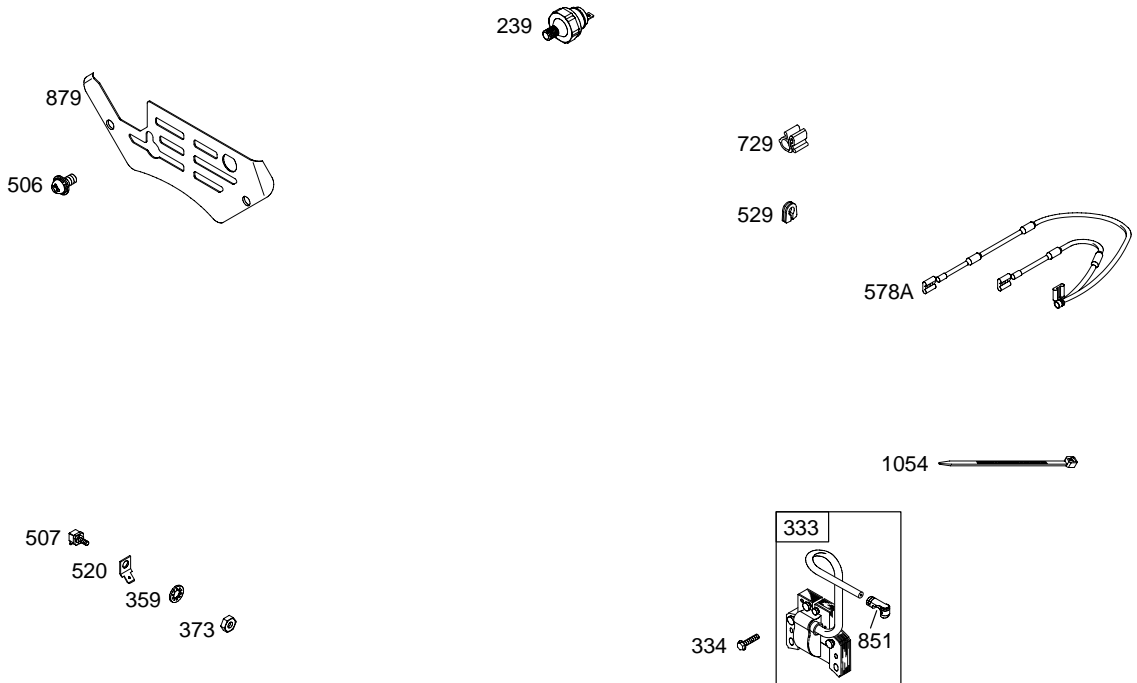


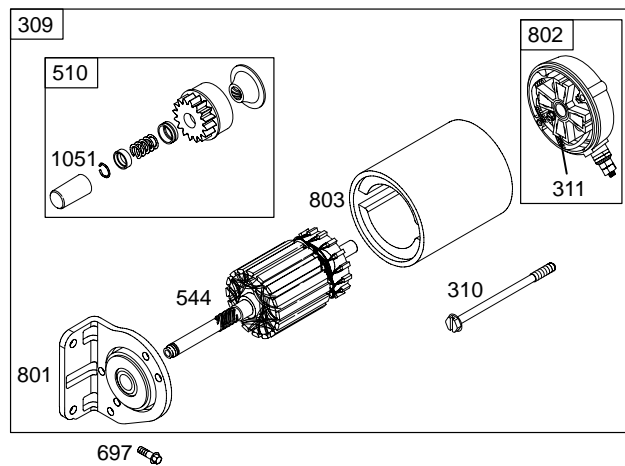
Illustrations cover a range of engines. Parts shown without corresponding text may not be used on your specific engine.
6652-13 Assemblies include all parts shown in frames. 6/16/2004

10 AMP	16 AMP
<div data-bbox="998 304 1193 514"> </div>	<div data-bbox="1209 304 1404 514"> </div>
<div data-bbox="998 525 1193 703"> </div>	<div data-bbox="1209 525 1404 703"> </div>
<div data-bbox="998 714 1404 819"> </div>	

NOTE: All stators use a No. 1119 mounting screw. 

NOTE: The proper flywheel part number and/or the alternator magnet size will determine the alternator type or output. See repair instruction manual for additional information.





697 

384400

REF. NO.	PART NO.	DESCRIPTION	REF. NO.	PART NO.	DESCRIPTION	REF. NO.	PART NO.	DESCRIPTION
1	809072	Cylinder Assembly	27	806378	Lock-Piston Pin	192	807623	Adjuster-Rocker Arm
2	808534	Kit-Bushing/Seal (Magneto Side)	28	808526	Pin-Piston	197	690677	Screw (Back Plate)
3	★805101	Seal-Oil (Magneto Side)	29	808646	Rod-Connecting	206	691244	Nut-Governor Adjusting Used on Type No(s). 0111.
5	809071	Head-Cylinder (Cylinder 1)	32	690698	Screw (Connecting Rod)	208	691549	Rod-Governor Control Used on Type No(s). 0111.
5A	809070	Head-Cylinder (Cylinder 2)	33	809069	Valve-Exhaust	209	692070	Spring-Governor Note 691546 Spring-Governor Used on Type No(s). 0111, 0112.
7	★Δ806377	Gasket-Cylinder Head	34	806420	Valve-Intake	211	692069	Spring-Governed Idle Note 690707 Spring-Governed Idle Used on Type No(s). 0111, 0112.
11C	808686	Tube-Breather	35	692084	Spring-Valve (Intake)	212	690712	Link-Throttle
12	★691684	Gasket-Crankcase	36	692084	Spring-Valve (Exhaust)	222	808454	Bracket-Control
13	692059	Screw (Cylinder Head)	39	690745	Deflector-Oil	227	690236	Lever-Governor Control
15	690946	Plug-Oil Drain	40	692058	Retainer-Valve	231	690718	Screw (Choke Valve)
16	691139	Crankshaft Note 692173 Crankshaft Used on Type No(s). 0111. 809813 Crankshaft Used on Type No(s). 0112.	42	807683	Keeper-Valve	232	692073	Spring-Governor Link
17	690752	Bearing-Ball	45	690977	Tappet-Valve	239	690233	Switch-Oil Pressure Regulator-Fuel (Supplied by Equipment Manufacturer)
18	808849	Cover-Crankcase	46	690927	Camshaft	243		Screw (Rod Bracket)
20	★805049	Seal-Oil (PTO Side)	50A	809067	Manifold-Intake	262	692083	Screw (Casing Clamp)
22	807362	Screw (Crankcase Cover/Sump)	51A	Δ★692035	Gasket-Intake (Manifold to Head)	265	691024	Clamp-Casing
23	808768	Flywheel (Steel Ring Gear) Note 808776 Flywheel Used on Type No(s). 0112.	51C	Δ★806457	Gasket-Intake (Manifold To Carburetor)	267	692083	Screw (Casing Clamp)
25	808527	Piston Assembly (Standard) Note 808652 Piston Assembly (.020" Oversize)	54	806444	Screw (Intake Manifold)	268	691025	Casing-Control Wire
26	808528	Ring Set (Standard) Note 808661 Ring Set (.020" Oversize)	73	494439	Screen-Rotating	269	691026	Wire-Control
			74A	691647	Screw (Rotating Screen)	270	691027	Nut (Control Wire Casing)
			75	691490	Washer (Flywheel)			
			97C	808397	Shaft-Throttle			
			98	808177	Kit-Idle Speed			
			122A	690747	Spacer-Carburetor			
			125	809068	Carburetor			
			146	691639	Key-Timing			
			161	691561	Base-Air Cleaner (Metal)			
			163	★692081	Gasket-Air Cleaner			
			186	693184	Connector-Hose			
			188	692062	Screw (Control Bracket)			

★ Included in Engine Gasket Set-Ref. No. 358.

Δ Included in Valve Gasket Set-Ref. No. 1095A.

Illustrations cover a range of engines. Parts shown without corresponding text may not be used on your specific engine.
6652-16 Assemblies include all parts shown in frames. 6/16/2004

REF. NO.	PART NO.	DESCRIPTION	REF. NO.	PART NO.	DESCRIPTION	REF. NO.	PART NO.	DESCRIPTION
271	691028	Lever—Control	309	691564	Motor—Starter (Steel Ring Gear Only)	467	691985	Knob—Air Cleaner
273	★690681	Seal—O Ring (Oil Pump)	310	496880	Screw (Starter Motor) (4 1/4" Long)	468	★690690	Seal—O Ring (Oil Pump Screen)
276	690704	Washer—Sealing (Governor Crank)	311	496887	Brush Set	474D	696458	Alternator (10–16 Amp Regulated)
276A	★△691766	Washer—Sealing (Rocker Cover)	322	841233	Screw (Cylinder Head Cover)	479	807084	Screw (Oil Pump Screen)
278	690237	Washer (Governor Control Lever)	332	690887	Nut (Flywheel)	501	691185	Regulator (10–16 Amp Regulated)
280	691526	Bracket—Rod	333	492341	Armature—Magneto	505	690238	Nut (Governor Control Lever)
287	692062	Screw (Dipstick Tube)	334	692066	Screw (Magneto Armature)	506	690677	Screw (Carburetor Cover)
304	809099	Housing—Blower (Black) Used on Type No(s). 0111, 0112.	337	491055	Plug—Spark	507	691972	Insulator
304A	809098	Housing—Blower (Red) Used on Type No(s). 0100.	338	691312	Gasket—Dipstick (Intake Manifold)	510	496881	Drive—Starter (Services Aluminum Ring Gear Only)
305	692056	Screw (Blower Housing)	358B	809075	Gasket Set—Engine	520	691084	Terminal—Ground
305A	692062	Screw (Blower Housing)	359	691077	Washer (Ground Terminal)	522	491832	Plug—Dipstick/Fill
308	841232	Cover—Cylinder Head (Cylinder 1) (Used After Code Date 03103100).	363	19203	Puller—Flywheel	523A	693175	Dipstick
308C	806546	Cover—Cylinder Head (Cylinder 1) (Used Before Code Date 03110100).	365	690711	Screw (Carburetor)	524	693172	Seal—Dipstick Tube
308J	841182	Cover—Cylinder Head (Cylinder 2) (Used After Code Date 03103100).	373	691612	Nut (Ground Terminal)	525	693174	Tube—Dipstick
		Note	377	808095	Key—Woodruff	526	692067	Screw (Regulator) (10–16 Amp Regulated)
		806547	383	19374	Wrench—Spark Plug	529	690744	Grommet
		Cover—Cylinder Head (Cylinder 2) (Used Before Code Date 03110100).	400	808657	Cooler—Oil	544	690855	Armature—Starter
			415	690283	Plug	552	690701	Bushing—Governor Crank (Output End)
			417	810074	Screw (Oil Cooler)	552A	806686	Bushing—Governor Crank (Flanged)
			432	691509	Cap—Spring	560	808693	Switch—LP/NG Fuel
			439	★692154	Seal—O Ring (Crankcase Cover/Sump)	562	690239	Bolt (Governor Control Lever)
			445	841359	Filter—Air Cleaner Cartridge (Used After Code Date 04022900).			
					Note			
			447	841233	Filter—Air Cleaner Cartridge (Used Before Code Date 04030100).			
			448	806423	Screw (Air Guide Cover)			
			455	690864	Bracket—Oil Cooler			
			466	806466	Cup—Flywheel			
					Seal—O Ring (Breather Assembly)			

★ Included in Engine Gasket Set—Ref. No. 358.

△ Included in Valve Gasket Set—Ref. No. 1095A.

Illustrations cover a range of engines. Parts shown without corresponding text may not be used on your specific engine.
6652–17 Assemblies include all parts shown in frames. 6/16/2004

384400

REF. NO.	PART NO.	DESCRIPTION	REF. NO.	PART NO.	DESCRIPTION	REF. NO.	PART NO.	DESCRIPTION
565	690682	Stud (Oil Filter Adapter)	816	690706	Washer (Oil Filter Adapter)	1024	693185	Pump–Oil
573	841310	Plate–Back	830	809157	Stud–Rocker Arm	1025	690689	Spool–Governor
578	692306	Wire Assembly	833	690872	Screw (Air Cleaner Mounting Strap/Stud)	1026	691836	Rod–Push (Steel)
578A	692319	Wire Assembly						Note
596	691492	Screw (Oil Pump)	851	493880	Terminal–Spark Plug			691758 Rod–Push (Aluminum)
598	807625	Shim–End Play (Crankshaft or Camshaft Bearing)	862	692153	Strap/Stud–Air Cleaner Mounting	1027	492932	Filter–Oil
601A	841502	Clamp–Hose	865	841312	Cover–Air Guide	1028B	808537	Adapter–Oil Filter
615	691550	Retainer–Governor Shaft	868	★Δ691963	Seal–Valve	1029	807323	Arm–Rocker
616	806685	Crank–Governor	871	692057	Bushing–Valve Guide	1036	809076	Label–Emissions
633A	695414	Seal–Choke/Throttle Shaft	877C	399916	Wire/Connector– Alternator (2 Wires, 7–53/64” Long)(2 Bare Wire Ends, And Insulated Snap Connect Male Pin Terminal)	1044	692056	Screw (Flywheel)
635	692076	Boot–Spark Plug				1051	691124	Ring–Retaining
643	692079	Retainer–Air Filter				1054	280275	Tie–Cable
650	841233	Screw (Oil Deflector)				1058	274792	Operator’s Manual (Emission)
668A	691500	Spacer	879	806648	Cover–Carburetor	1068	841606	Hose/Clamp Assembly
668B	691215	Spacer	883	★Δ806425	Gasket–Exhaust	1095A	809074	Gasket Set–Valve
689	691272	Spring–Friction	914	806421	Screw (Rocker Cover)	1100	690973	Pivot–Rocker Arm
691	690680	Seal–Governor Shaft				1115	691551	Washer (Radiator Support)
697	692062	Screw (Drive Cap)	934	691058	Screw (Fan Retainer)	1119	691552	Screw (Alternator)
718	806469	Pin–Locating				1131	806446	Nut (Crankcase Cover/Sump)
726		Gear–Ring (Steel) (Sold in Flywheel Kit Only, Ref. 23)	967	272490	Filter–Pre Cleaner	1133	690342	Screw (Crankshaft)
727	841313	Cover–Starter Drive	968	692097	Cover–Air Cleaner	1135	806497	Washer (Crankcase Cover/Sump)
729	690586	Clip–Wire	971A	692537	Screw (Air Cleaner Base to Carburetor)	1155	806647	Washer (Oil Cooler)
732	690688	Screw (Starter Drive Cover)	988	692063	Gasket–Oil Adapter	1330	272144	Repair Manual
732A	841233	Screw (Starter Drive Cover)	996	691577	Shield–Carburetor			
737	690679	Screw (Oil Filter Adapter)	1004	690743	Duct–Air			
739	690451	Clip–Debris	1004B	692538	Duct–Air			
741	691530	Gear–Timing	1005	690911	Fan–Flywheel			
801	808778	Cap–Drive	1006	690452	Retainer–Fan			
802	496813	Cap–End	1017	690900	Screen–Oil Pump			
803	690854	Housing–Starter	1019	809073	Kit–Label			
812	Δ692055	Nut (Rocker Cover)	1022	★Δ806039	Gasket–Rocker Cover			
			1023	690758	Cover–Rocker			
			1023A	808648	Cover–Rocker (Includes Breather Assembly)			

★ Included in Engine Gasket Set–Ref. No. 358.

Δ Included in Valve Gasket Set–Ref. No. 1095A.

Illustrations cover a range of engines. Parts shown without corresponding text may not be used on your specific engine.
6652–18 Assemblies include all parts shown in frames. 6/16/2004