

386700

Illustrated Parts List

Model Series

386700

TYPE NUMBERS
0110.

TABLE OF CONTENTS

Air Cleaner	7
Alternator	6
Blower Housing	9
Cam	5
Carburetor	4
Controls	6
Crankcase Cover/Sump	2
Crankshaft	2
Cylinder	2
Electric Starter	10
Flywheel	8
Governor Spring	6
Head/Valve	5
Ignition	6
Intake Manifolds	7
Kit/Gaskets-Carburetor	3
Kit/Gaskets-Engine	3
Kit/Gaskets-Valve	3
Muffler Group	8
Oil Group	11
Piston Group	2
Shrouds	9

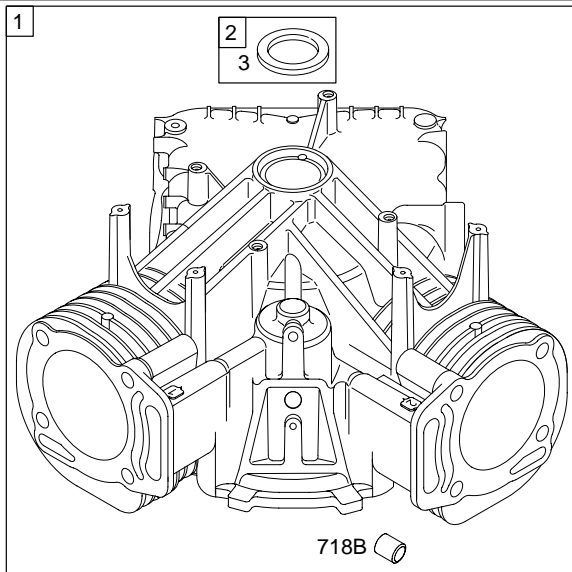


PRINTED IN U.S.A.

COPYRIGHT by BRIGGS & STRATTON CORPORATION
All rights reserved. No part of this material may be reproduced or transmitted, in any form or by any means, electronic or mechanical, including photocopying, recording or by any information storage and retrieval system, without permission in writing from Briggs & Stratton Corporation.



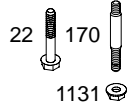
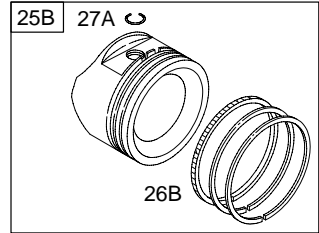
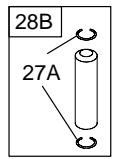
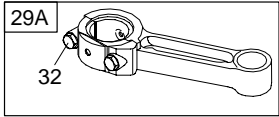
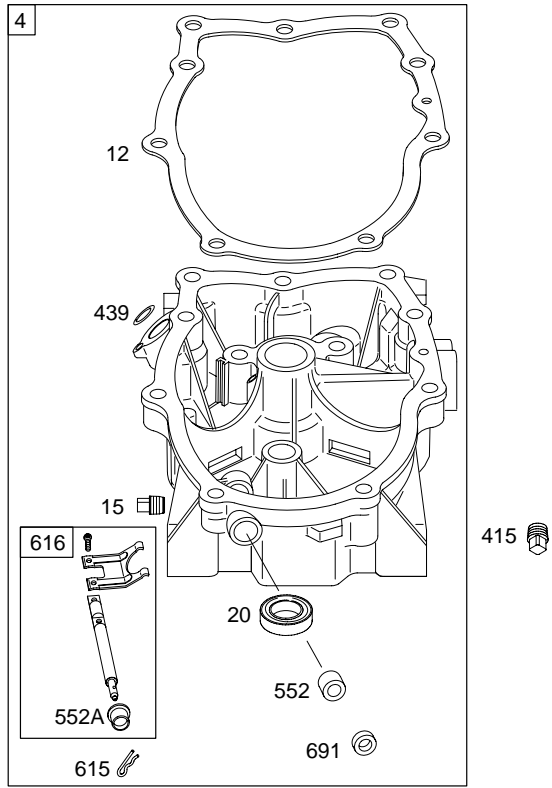
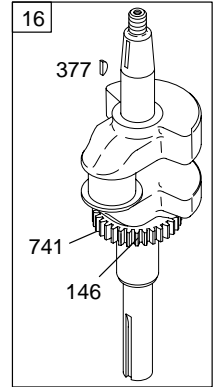
0 24847 10858 3



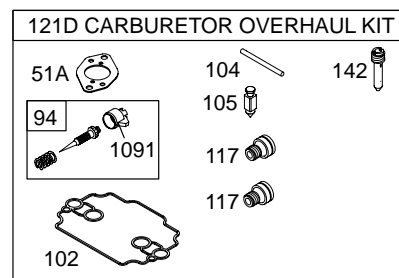
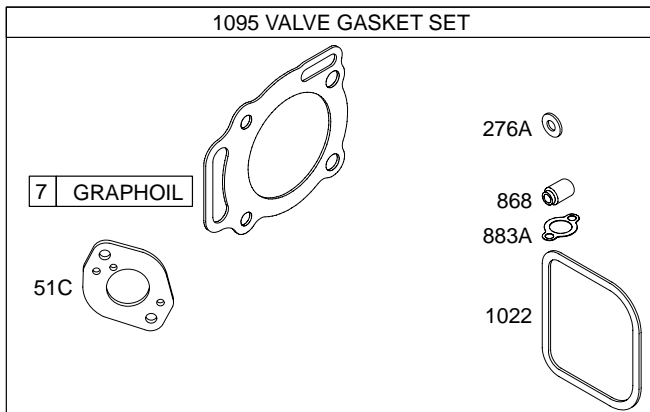
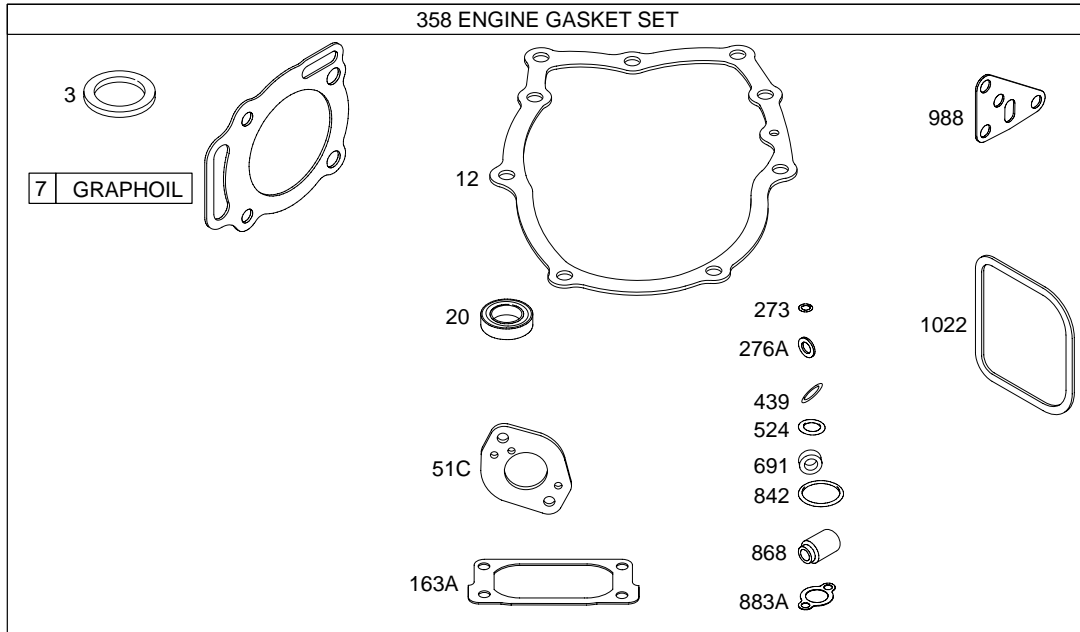
1019 LABEL KIT

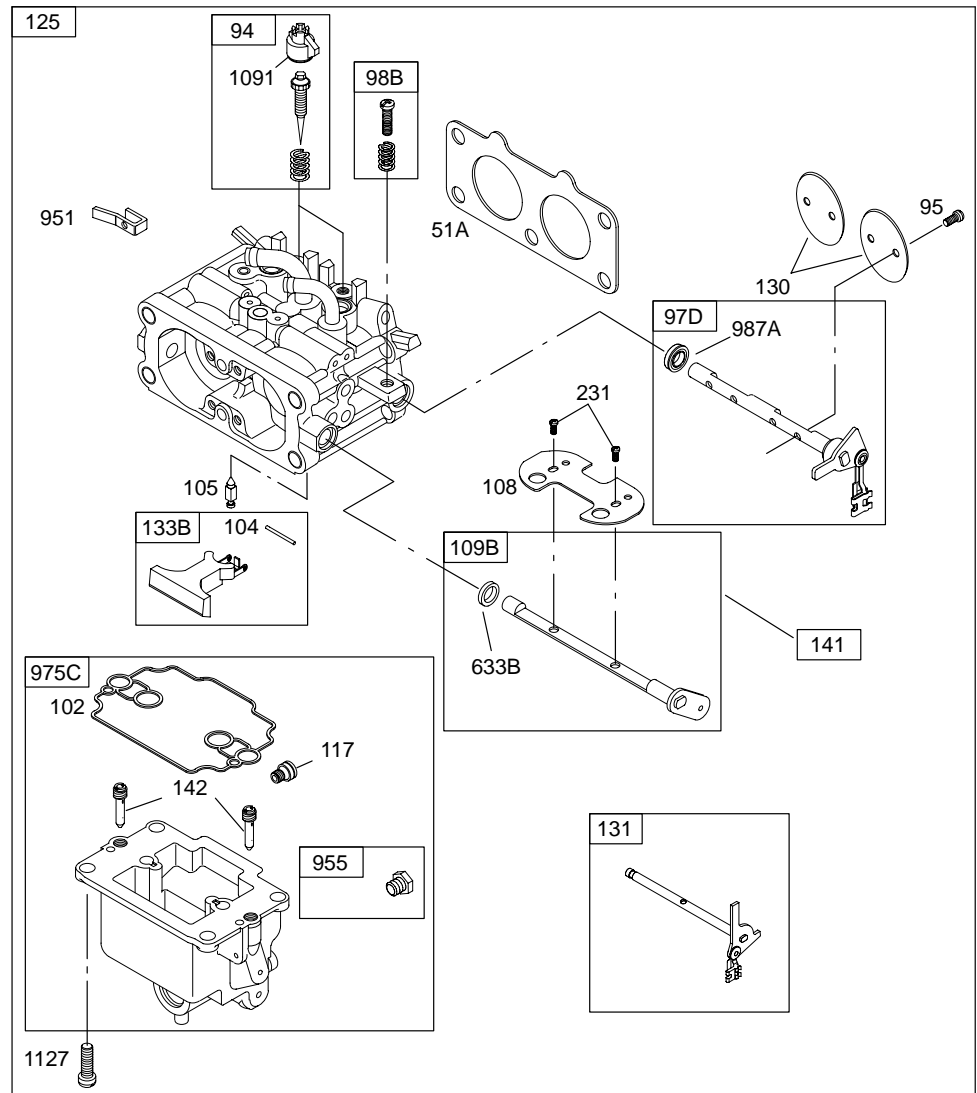
1330 REPAIR MANUAL

1058 OWNER'S MANUAL

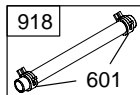
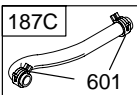
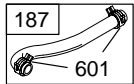
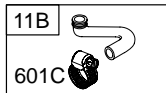
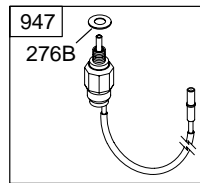


Illustrations cover a range of engines. Parts shown without corresponding text may not be used on your specific engine.
 5960-2 Assemblies include all parts shown in frames. 03/08/2004

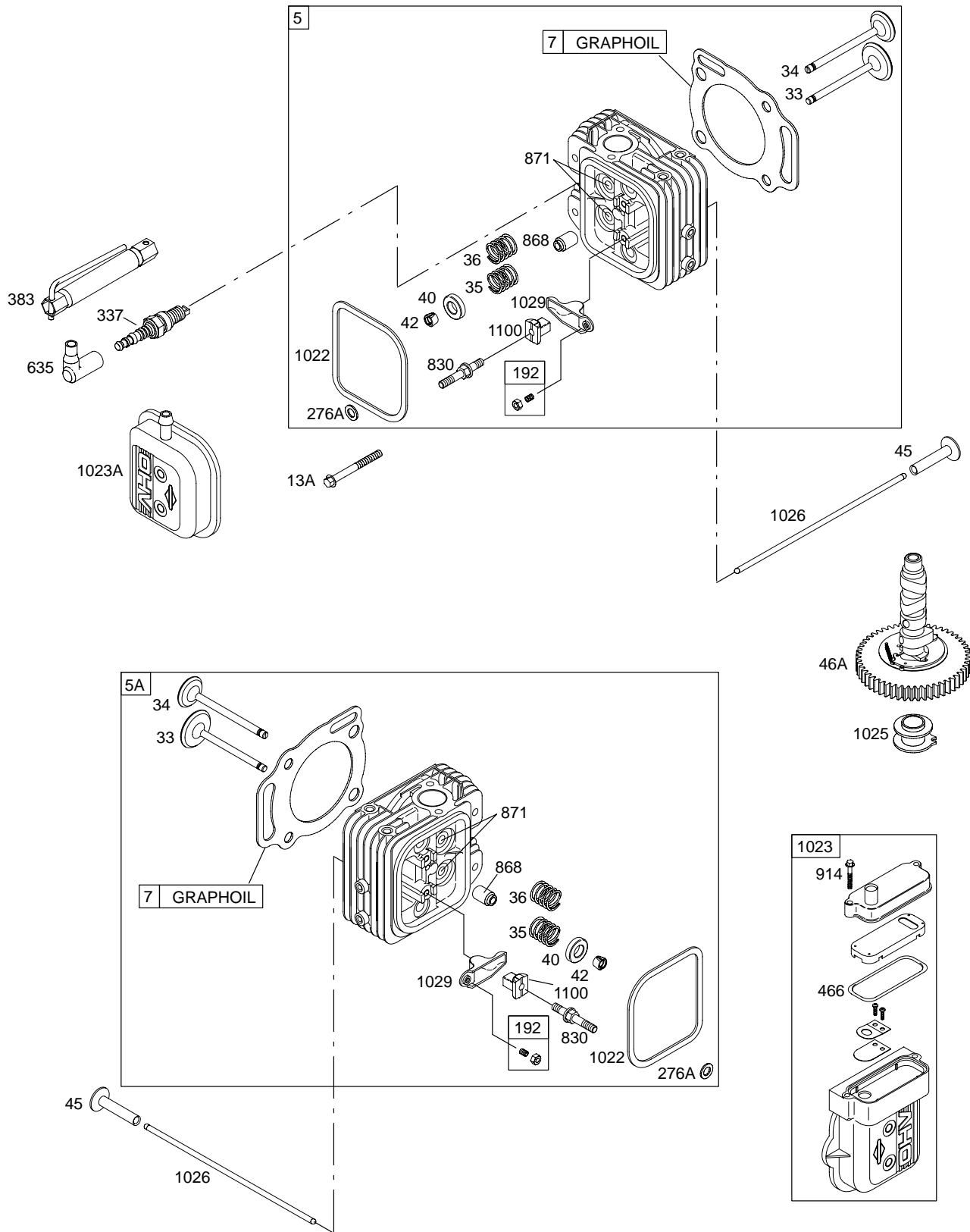




529

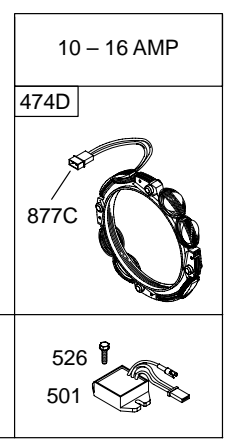
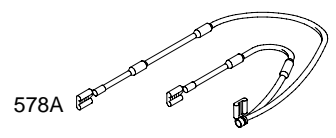
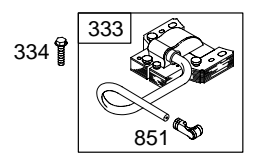
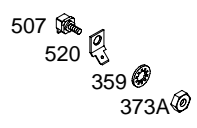
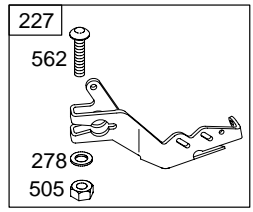
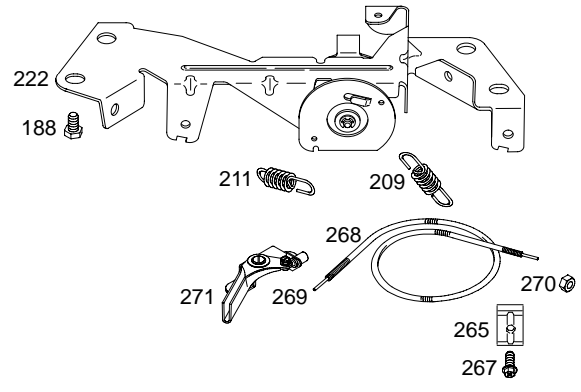
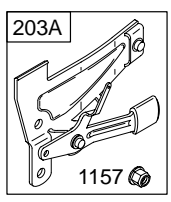
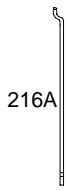
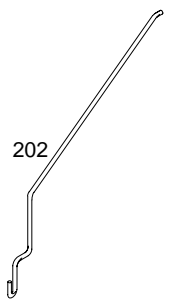



Illustrations cover a range of engines. Parts shown without corresponding text may not be used on your specific engine.
 5960-4 Assemblies include all parts shown in frames. 03/08/2004



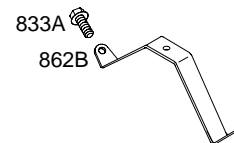
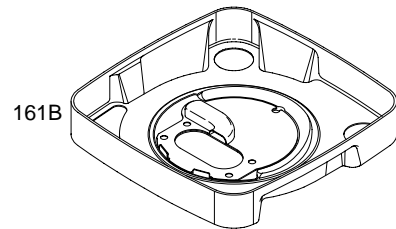
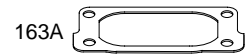
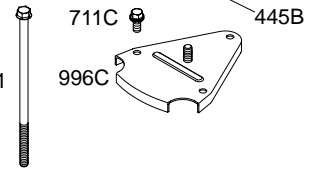
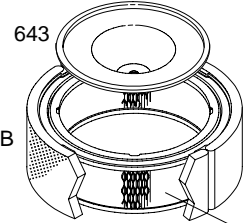
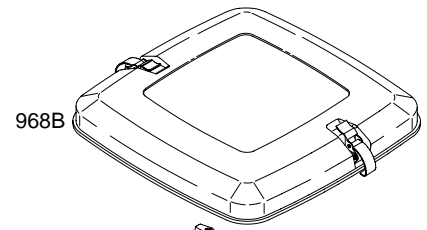
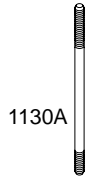
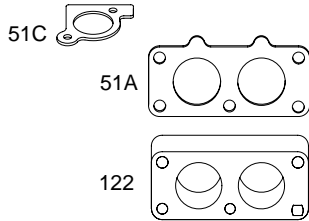
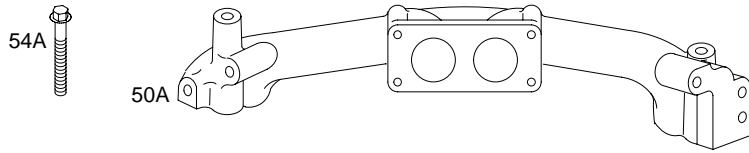
Illustrations cover a range of engines. Parts shown without corresponding text may not be used on your specific engine.
 5960-5 Assemblies include all parts shown in frames. 03/08/2004

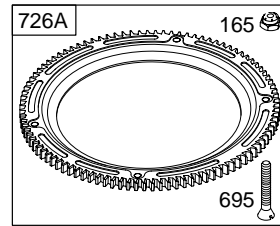
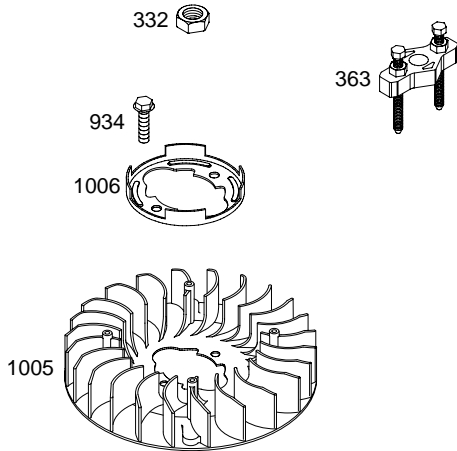
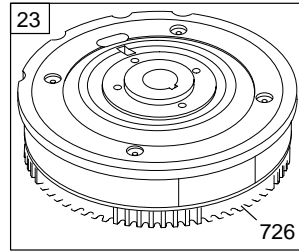
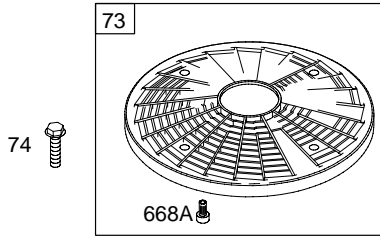
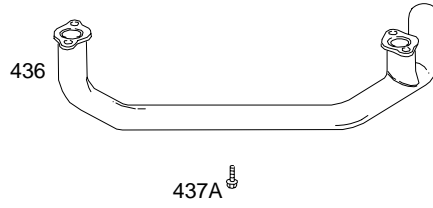
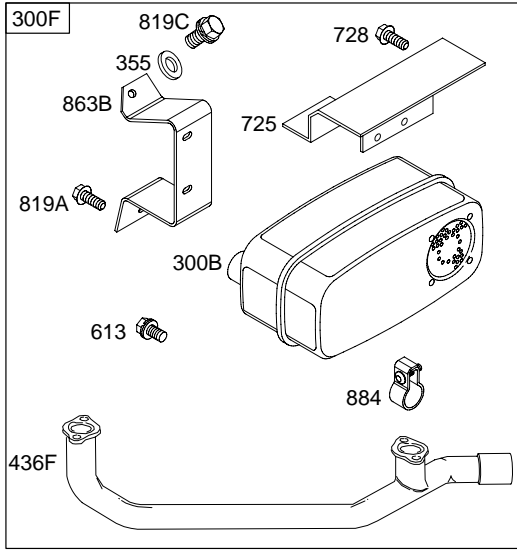
386700



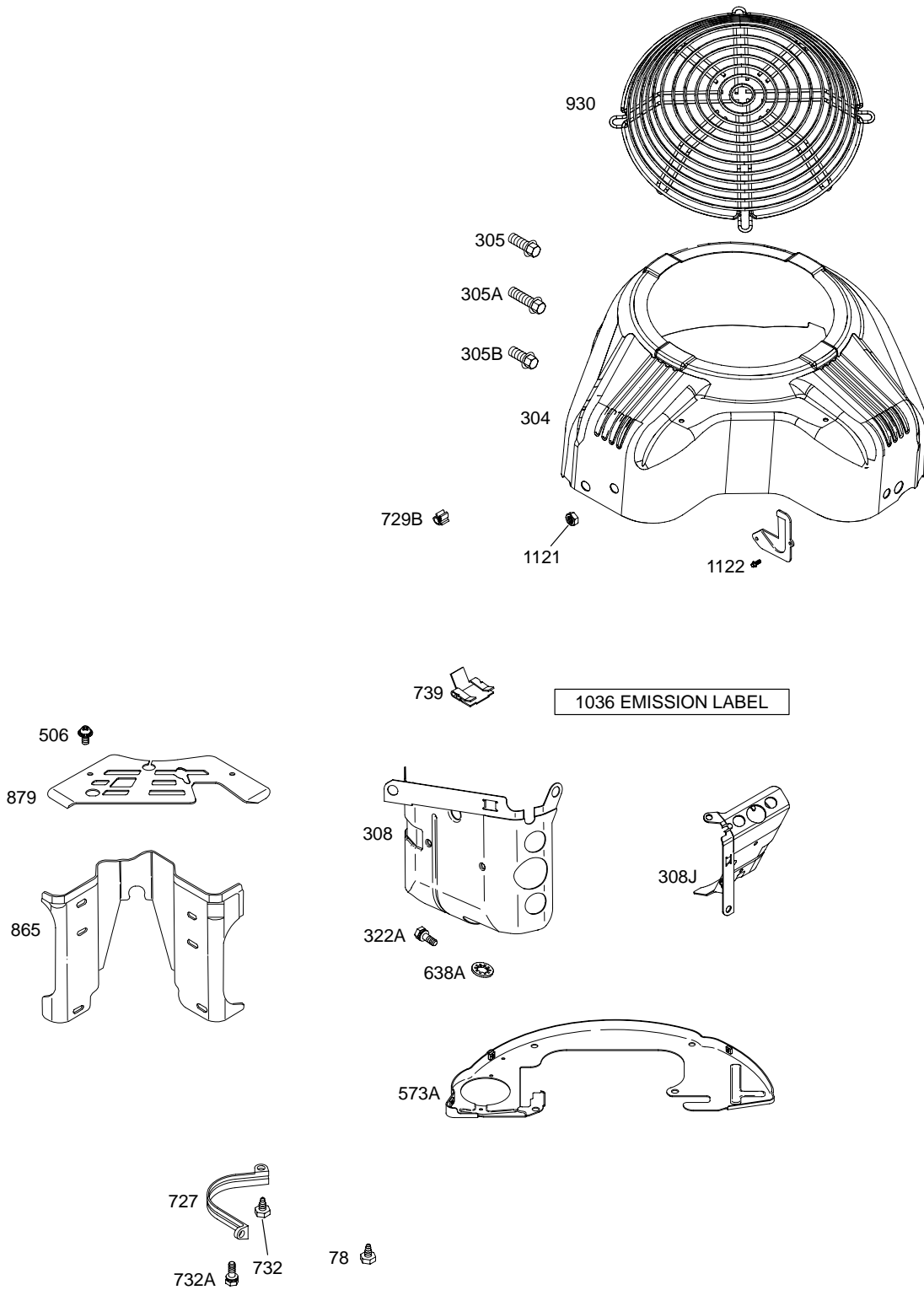
NOTE: All stators use a No. 1119 mounting screw. 

NOTE: The proper flywheel part number and/or the alternator magnet size will determine the alternator type or output. See repair instruction manual for additional information.



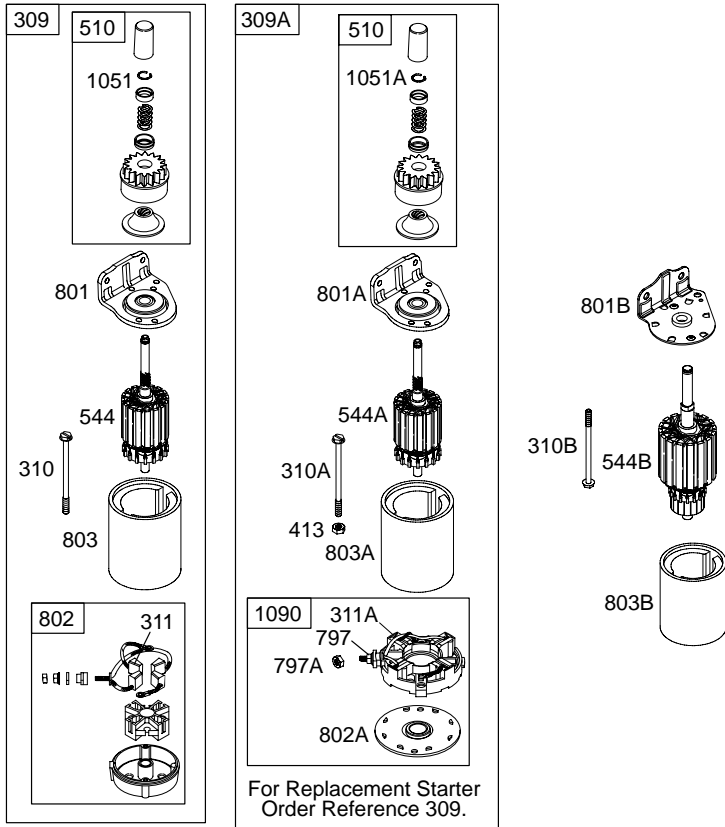


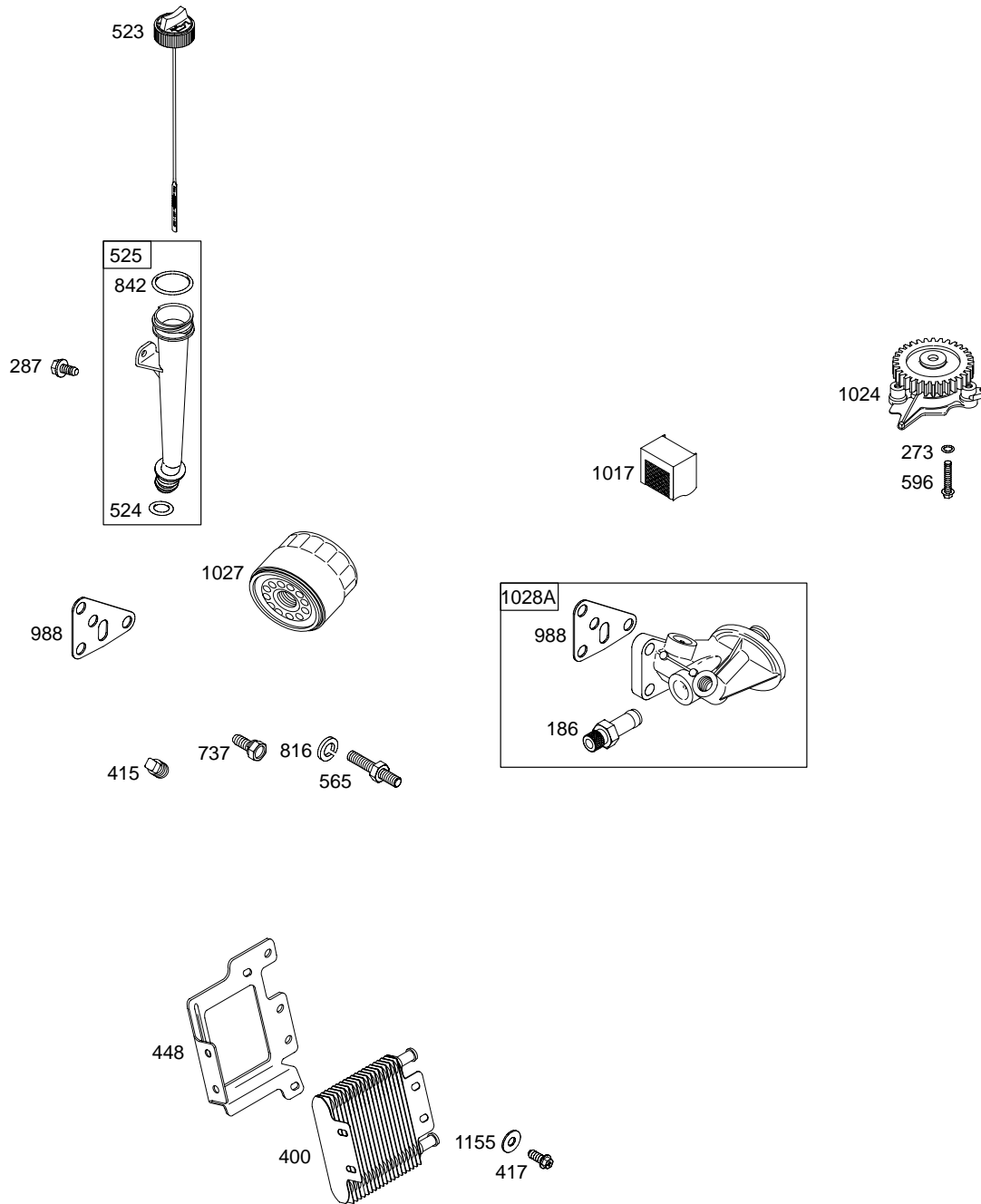
Illustrations cover a range of engines. Parts shown without corresponding text may not be used on your specific engine.
 5960-8 Assemblies include all parts shown in frames. 03/08/2004



Illustrations cover a range of engines. Parts shown without corresponding text may not be used on your specific engine.
5960-9 Assemblies include all parts shown in frames. 03/08/2004

697 





Illustrations cover a range of engines. Parts shown without corresponding text may not be used on your specific engine.
 5960-11 Assemblies include all parts shown in frames. 03/08/2004

386700

REF. NO.	PART NO.	DESCRIPTION	REF. NO.	PART NO.	DESCRIPTION	REF. NO.	PART NO.	DESCRIPTION
1	808647	Cylinder Assembly	35	692084	Spring-Valve (Intake)	161B	808676	Base-Air Cleaner (Metal)
2	808534	Kit-Bushing/Seal (Magneto Side)	36	692084	Spring-Valve (Exhaust)	163A	*692087	Gasket-Air Cleaner (Used With Metal Air Cleaner Base)
3	*805101	Seal-Oil (Magneto Side)	40	692058	Retainer-Valve	165	693148	Nut (Ring Gear)
4	808846	Sump-Engine	42	807683	Keeper-Valve	170	806445	Stud (Crankcase Cover/Sump)
5	808529	Head-Cylinder (Cylinder 1)	45	690977	Tappet-Valve	185	690939	Nut (Air Cleaner Base)
5A	808530	Head-Cylinder (Cylinder 2)	46A	690927	Camshaft	186	693184	Connector-Hose
7	*Δ806377	Gasket-Cylinder Head (Graphoil)	50A	806376	Manifold-Intake	187	691050	Line-Fuel (Cut To Required Length)
11B	806379	Tube-Breather	51A	*690950	Gasket-Intake	187C	691049	Line-Fuel (Molded)
12	*691684	Gasket-Crankcase	51C	*Δ806418	Gasket-Intake (Manifold/Heads)	188	692056	Screw (Control Bracket)
13A	806865	Screw (Cylinder Head)	53	690869	Stud (Carburetor)	192	807623	Adjuster-Rocker Arm
15	690946	Plug-Oil Drain	54A	806444	Screw (Intake Manifold)	202	690867	Link-Mechanical Governor
16	809809	Crankshaft	73	841440	Screen-Rotating	203A	808753	Crank-Bell
20	*805049	Seal-Oil (PTO Side)	74	841441	Screw (Rotating Screen)	209	692070	Spring-Governor
22	807362	Screw (Crankcase Cover/Sump)	77	690688	Screw (Flywheel Guard)	211	692069	Spring-Governed Idle
23	809236	Flywheel	94	●809712	Kit-Idle Mixture	216A	690871	Link-Choke
25B	808527	Piston Assembly (Standard)	95	690728	Screw (Throttle Valve)	222	808454	Bracket-Control
		Note	97D	808715	Shaft-Throttle	227	690236	Lever-Governor Control
		808652 Piston Assembly (.020" Oversize)	98B	808177	Kit-Idle Speed	231	690728	Screw (Choke Valve)
26B	808528	Ring Set (Standard)	102	●809645	Gasket-Carburetor Body	232A	690874	Spring-Governor Link
		Note	104	●690739	Pin-Float Hinge	240A	691035	Filter-Fuel (Includes Paper Element With A 40 Micron Rating)
		808661 Ring Set (.020" Oversize)	105	●809759	Valve-Float Needle	265	691024	Clamp-Casing
27A	806378	Lock-Piston Pin	108	809643	Valve-Choke	267	692083	Screw (Casing Clamp)
28B	808526	Pin-Piston	109B	808181	Shaft-Choke	268	691025	Casing-Control Wire (Cut To Required Length)
29A	808646	Rod-Connecting (Standard)	117	●809634	Jet-Main (Standard)(Cylinder 1)			
32	690698	Screw (Connecting Rod)			Note			
33	806419	Valve-Exhaust			809635 Jet-Main (Standard)(Cylinder 2)			
34	806420	Valve-Intake	121D	841139	Kit-Carburetor Overhaul			
			122	690870	Spacer-Carburetor			
			125	809705	Carburetor			
			130	809642	Valve-Throttle			
			131	809718	Kit-Throttle Shaft			
			133B	809637	Float-Carburetor			
			141	809719	Kit-Choke Shaft			
			142	●806375	Nozzle-Carburetor (Standard)			
			146	691639	Key-Timing			

* Included in Engine Gasket Set-Ref. No. 358.

● Included in Carburetor Overhaul Kit-Ref. No. 121.

◆ Included in Carburetor Gasket Set-Ref. No. 977.

Δ Included in Valve Gasket Set-Ref. No. 1095.

Illustrations cover a range of engines. Parts shown without corresponding text may not be used on your specific engine.

REF. NO.	PART NO.	DESCRIPTION	REF. NO.	PART NO.	DESCRIPTION	REF. NO.	PART NO.	DESCRIPTION
269	691026	Wire—Control (Cut To Required Length)	322A	692539	Screw (Cylinder Head Cover)	505	690238	Nut (Governor Control Lever)
270	691027	Nut (Control Wire Casing)	332	690887	Nut (Flywheel)	506	809715	Screw (Carburetor Cover)
271	691028	Lever—Control	333	492341	Armature—Magneto	507	691972	Insulator
273	★690681	Seal—O Ring (Oil Pump)	334	692066	Screw (Magneto Armature)	510	496881	Drive—Starter
276A	★△807085	Washer—Sealing (Carburetor Plug)	337	491055	Plug—Spark	510	696541	Drive—Starter
276B	806476	Washer—Sealing	355	690237	Washer (Muffler Bracket)	520	809077	Terminal—Ground
278	690237	Washer (Governor Control Lever)	358	809075	Gasket Set—Engine	523	692101	Dipstick
287	807084	Screw (Dipstick Tube)	359	691077	Washer (Ground Terminal)	524	692053	Seal—Dipstick Tube
300	807752	Muffler	363	19203	Puller—Flywheel	525	692093	Tube—Dipstick
304	841489	Housing—Blower	373A	691612	Nut (Ground Terminal)	526	692067	Screw (Regulator)
305	692056	Screw (Blower Housing)(14mm)	377	808095	Key—Woodruff	527	690423	Clamp—Tube
305A	692062	Screw (Blower Housing)(18mm Long)	383	19374	Wrench—Spark Plug	529	690744	Grommet
305B	692539	Screw (Blower Housing)(12 mm)	385	807084	Screw (Fuel Pump)	544	690855	Armature—Starter
308	841232	Cover—Cylinder Head (Cylinder 2)	387	808656	Pump—Fuel	544A	693548	Armature—Starter
308J	841182	Cover—Cylinder Head (Cylinder 1)	400	808657	Cooler—Oil	544B		Armature—Starter (Service With 691564 Starter Motor Only)
309	691564	Motor—Starter (Steel Ring Gear Only)	413	693587	Nut (Starter Motor)	552	690701	Bushing—Governor Crank
309A		Motor—Starter (For Replacement Starter Motor, Order Reference 309)	415	690283	Plug (Square Head)	552A	806686	Bushing—Governor Crank
310	496880	Screw (Starter Motor)	417	810074	Screw (Oil Cooler)	562	690239	Bolt (Governor Control Lever)
310A	690323	Screw (Starter Motor)	436	808916	Manifold—Exhaust	565	690682	Stud (Oil Filter Adapter)
310B	691263	Screw (Starter Motor)	436F	805609	Manifold—Exhaust	573A	841310	Plate—Back
311	496887	Brush Set	437A	691902	Screw (Exhaust Manifold)	578A	692319	Wire Assembly (With Diodes)
311A	497608	Brush Set	439	692154	Seal—O Ring (Crankcase Cover/Sump)	596	691492	Screw (Oil Pump)
			445B	692519	Filter—Air Cleaner Cartridge (Round)	601	691038	Clamp—Hose (Black)
			448	841488	Bracket—Oil Cooler	601C	691145	Clamp—Hose (Silver)
			466	806466	Seal—O Ring (Breather Assembly)	613	692581	Screw (Muffler)
			467	691985	Knob—Air Cleaner (10 Amp Circuit)	615	691550	Retainer—Governor Shaft
			474D	696458	Alternator	616	806685	Crank—Governor
			501	691185	Regulator (3 Wire)(16 Amp)			

★ Included in Engine Gasket Set—Ref. No. 358.

● Included in Carburetor Overhaul Kit—Ref. No. 121.

◆ Included in Carburetor Gasket Set—Ref. No. 977.

△ Included in Valve Gasket Set—Ref. No. 1095.

Illustrations cover a range of engines. Parts shown without corresponding text may not be used on your specific engine.
5960—13 Assemblies include all parts shown in frames. **03/08/2004**

386700

REF. NO.	PART NO.	DESCRIPTION	REF. NO.	PART NO.	DESCRIPTION	REF. NO.	PART NO.	DESCRIPTION
628A	806660	Screw (Fuel Pump Bracket)	802	496813	Cap-End	947	809714	Solenoid-Fuel
633B	●690722	Seal-Choke/Throttle Shaft	802A	691286	Cap-End	951	809710	Lever-Choke
635	692076	Boot-Spark Plug	803	690854	Housing-Starter	955	809640	Plug-Carburetor
638A	691551	Washer (Cylinder Head Cover)	803A	693547	Housing-Starter (Service With 691564 Starter Motor Only)	967B	692520	Filter-Pre Cleaner (Round)
643	692079	Retainer-Air Filter	803B			968B	808654	Cover-Air Cleaner (Used With Metal Air Cleaner Base)
668A	691500	Spacer (Knurled Insert)	816	690706	Washer (Oil Filter Adapter)	971	690866	Screw (Air Cleaner Base to Carburetor)
691	690680	Seal-Governor Shaft	819A	690297	Screw (Muffler Bracket)	975C	808628	Bowl-Float
695	693109	Screw (Ring Gear)	819C	692537	Screw (Muffler Bracket)	987A	●692090	Seal-Throttle Shaft
697	692062	Screw (Drive Cap)	830	809157	Stud-Rocker Arm	988	★692063	Gasket-Oil Adapter
711C	691492	Screw (Carburetor Shield)	833	807163	Screw (Air Cleaner Mounting Strap/Stud)	996C	690917	Shield-Carburetor
718B	806469	Pin-Locating	833A	692539	Screw (Air Cleaner Mounting Strap/Stud)	1004B	690865	Duct-Air (Used With Metal Air Cleaner Base)
725	806102	Shield-Heat	842	691870	Seal-O Ring (Dipstick Tube)	1005	841439	Fan-Flywheel (Used After Code Date 04011800).
726		Gear-Ring (Steel)(See Reference 23 for Service)	851	493880	Terminal-Spark Plug			Note _____ 809179 Fan-Flywheel (Used Before Code Date 04011900).
726A	807805	Gear-Ring (Aluminum)	862B	806440	Strap/Stud-Air Cleaner Mounting	1006	690452	Retainer-Fan
727	841313	Cover-Starter Drive (Black)	863B	805610	Bracket-Muffler	1017	690878	Screen-Oil Pump
728	690297	Screw (Heat Shield)	865	807119	Cover-Air Guide (Black)	1019	808539	Kit-Label
729B	690586	Clip-Wire (Snap In)(Nylon)	868	★Δ691963	Seal-Valve	1022	★Δ806039	Gasket-Rocker Cover
732	690688	Screw (Starter Drive Cover)	871	692057	Bushing-Valve Guide	1023	808648	Cover-Rocker (Includes Breather Assembly)
732A	692539	Screw (Starter Drive Cover)	877C	399916	Wire/Connector-Alternator (2 Wires, 7-53/64" Long)(2 Bare Wire Ends, And Insulated Snap ConnectMale Pin Terminal)	1023A	691558	Cover-Rocker (Cylinder 1)(With Fuel Pump)
737	690679	Screw (Oil Filter Adapter)	879	807460	Cover-Carburetor	1024	693186	Pump-Oil
739	690451	Clip-Debris	883A	★Δ806425	Gasket-Exhaust	1025	690689	Spool-Governor
741	691530	Gear-Timing	884	691956	Clamp-Muffler	1026	691836	Rod-Push (Intake)(Steel)
788	691559	Bracket-Fuel Pump	914	807120	Screw (Rocker Cover)			Note _____ 691758 Rod-Push (Exhaust)(Aluminum)
797	693167	Nut (Brush Retainer)	918	393815	Hose-Vacuum (Cut To Required Length)			
797A	691029	Nut (Brush Retainer)	930	841490	Guard-Rewind			
801	808777	Cap-Drive	934	691058	Screw (Fan Retainer)			
801A	808778	Cap-Drive						
801B	691283	Cap-Drive						

★ Included in Engine Gasket Set-Ref. No. 358.

● Included in Carburetor Overhaul Kit-Ref. No. 121.

◆ Included in Carburetor Gasket Set-Ref. No. 977.

Δ Included in Valve Gasket Set-Ref. No. 1095.

Illustrations cover a range of engines. Parts shown without corresponding text may not be used on your specific engine.

REF. NO.	PART NO.	DESCRIPTION	REF. NO.	PART NO.	DESCRIPTION	REF. NO.	PART NO.	DESCRIPTION
1027	492932	Filter—Oil (2 1/4" Long)	1121	810056	Nut (Fuel Pump Bracket)	1131	806446	Nut (Crankcase Cover/Sump)
1028A	808537	Adapter—Oil Filter	1122	93410	Screw (Blower Housing Adapter)	1139	806497	Washer (Fuel Pump Bracket)
1029	807323	Arm—Rocker	1127	690885	Screw (Float Bowl)(Mount Float Bowl To Carburetor Body)	1155	806647	Washer (Oil Cooler)
1036	806889	Label—Emissions	1130A	690869	Stud (Intake Manifold)	1157	806447	Nut (Bell Crank)
1051	690736	Ring—Retaining				1330	272144	Repair Manual
1051A	691124	Ring—Retaining						
1054	280275	Tie—Cable						
1058	275071	Operator's Manual						
1090	691293	Retainer—Brush						
1091	●691515	Cap—Limiter						
1095	808619	Gasket Set—Valve						
1100	690973	Pivot—Rocker Arm						
1119	691552	Screw (Alternator)						

★ Included in Engine Gasket Set—Ref. No. 358.

● Included in Carburetor Overhaul Kit—Ref. No. 121.

◆ Included in Carburetor Gasket Set—Ref. No. 977.

△ Included in Valve Gasket Set—Ref. No. 1095.

Illustrations cover a range of engines. Parts shown without corresponding text may not be used on your specific engine.

5960-15

Assemblies include all parts shown in frames.

03/08/2004

