

400400 to 400499

Illustrated Parts List

Model Series

400400 to 400499

TYPE NUMBERS
0015, 0016, 0111, 0112
0119 through 0122

TO FIND

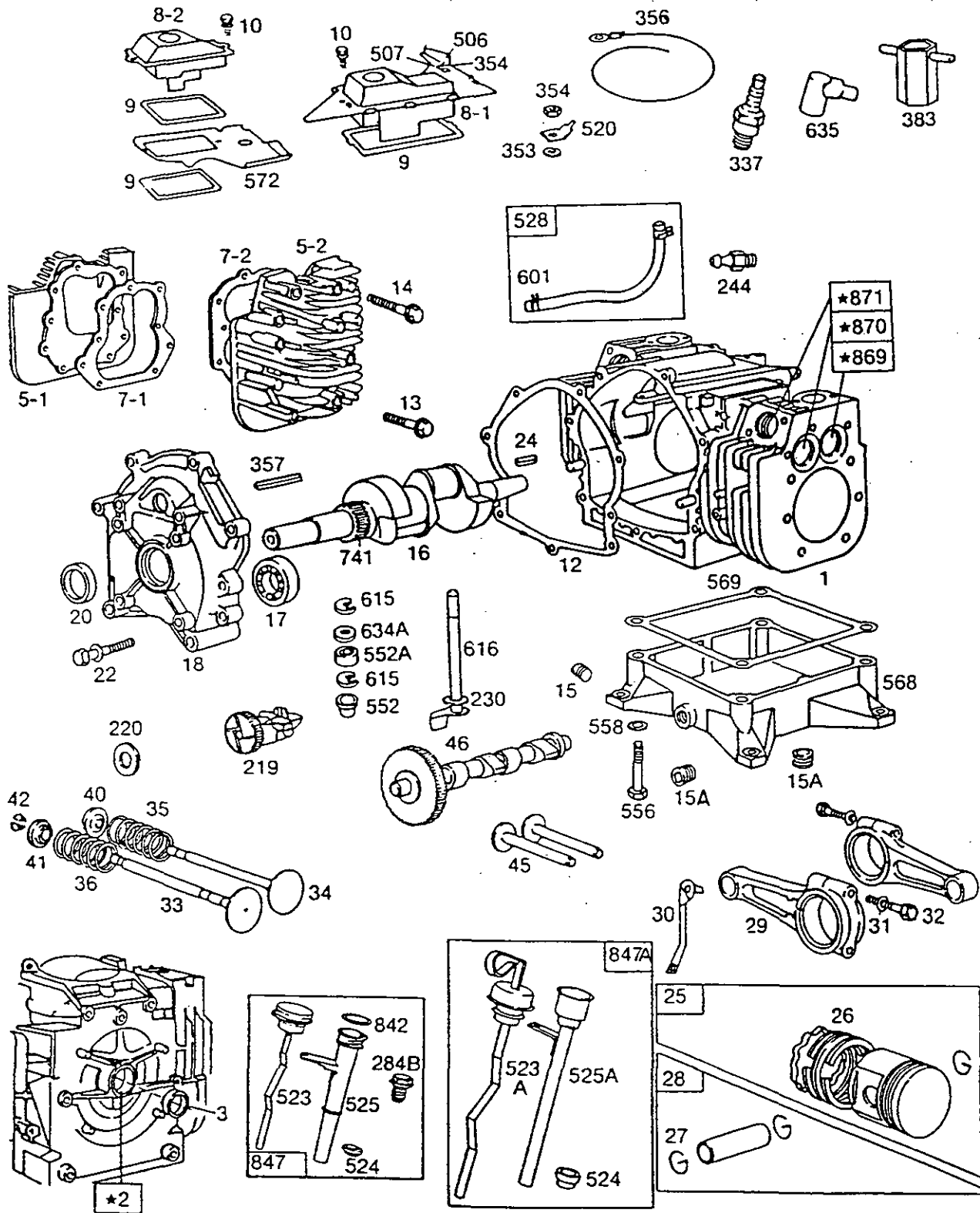
THE CORRECT NUMBER OF THE PART YOU NEED:

FOLLOW THE INSTRUCTIONS BELOW

- A. Refer to Engine Model, Type and Code Number that is stamped on the blower housing of engine. Engine type numbers such as 012301 are listed herein only as 0123. The two digits (01 or 02, etc.) to the right of the space are not needed for parts identification. Then use the Illustrated Parts List covering the Model Series.
- B. Refer to Illustrated Parts section and compare the old part with illustration. The number on the illustration is the Reference Number. Assemblies include all parts shown in frames. All parts shown in assembly frames on which individual reference numbers are given can be purchased separately.
- C. After the Reference Number has been identified, refer to the Numerical Parts List, where Reference and Master Part Number are listed. **THE MASTER PART IS USED ON ALL TYPE NUMBERS EXCEPT THOSE TYPE NUMBERS UNDER "NOTE"**.
- D. If a "Note" appears below the Master Part Number, this means that this part differs from the Master Part for certain types. If the Type number is listed under "Note", order the part referred to.
- E. If the Engine Type Number does not appear after any part number listed under "Note", use the Master Part Number.
- F. For Type Numbers higher than those covered by this book, please refer to the factory if you are unable to identify the part by comparison.

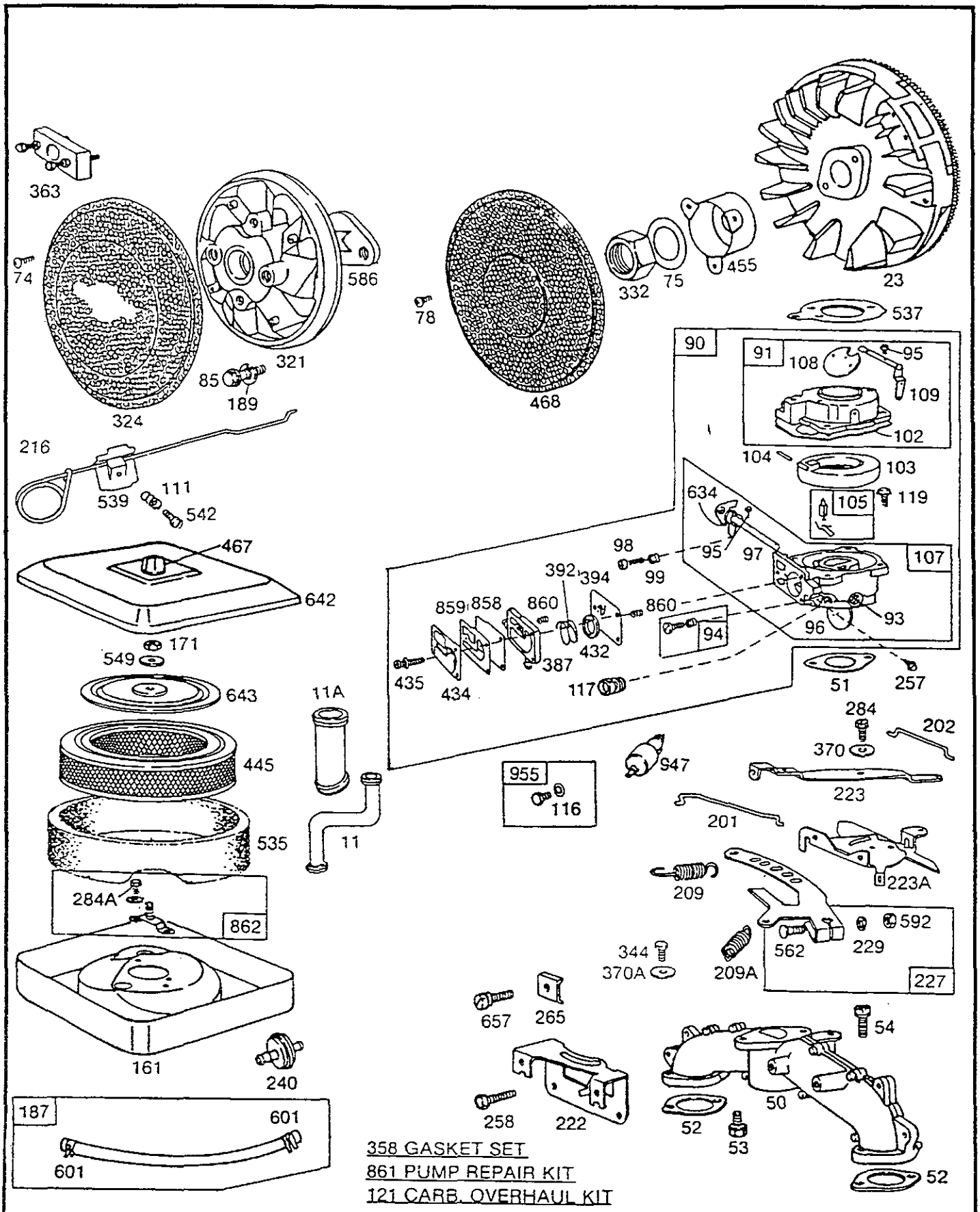


400400 to 400499

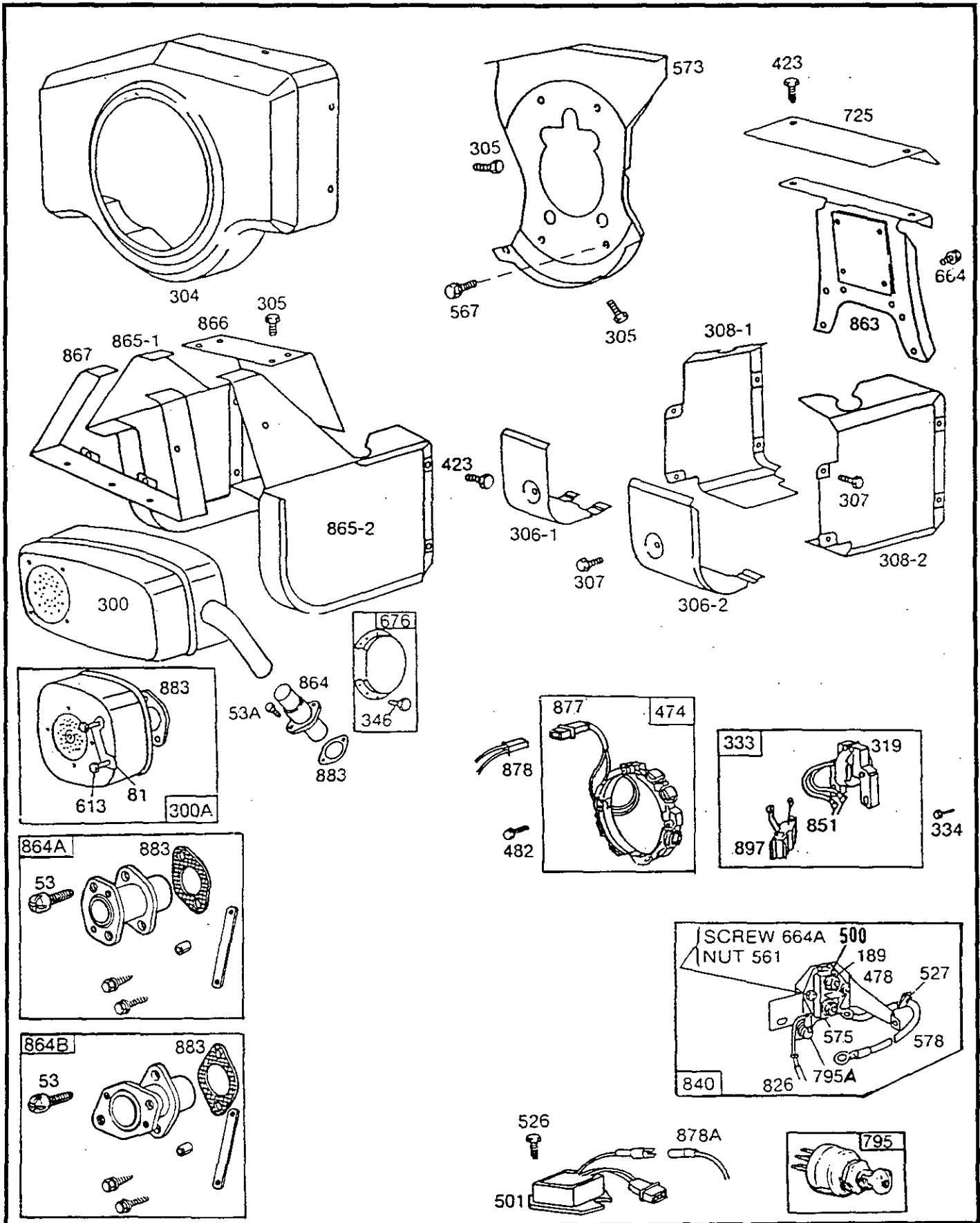


*SPECIAL TOOLS REQUIRED TO INSTALL - SEE REPAIR INSTRUCTION MANUAL

1019 DECAL KIT



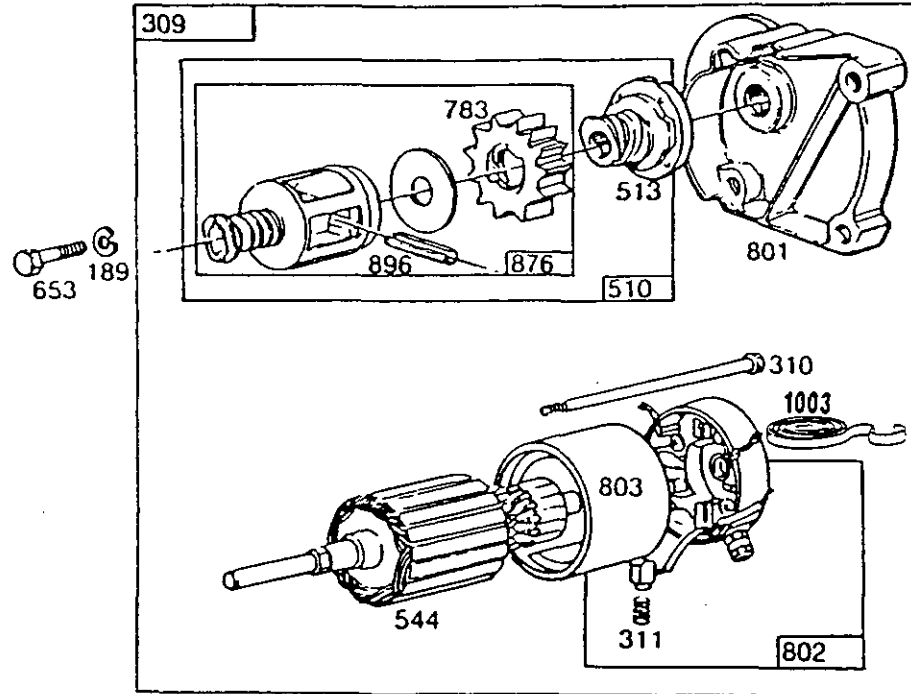
400400 to 400499



8575-3

Assemblies include all parts shown in frames.

78



Reference Number		309	310	311	544	801	802	803	1003
Manufacturer		Motor and Drive Ass'y.	Thru Bolt Assembly	Brush Assembly	Armature Assembly	Drive End Cap Assembly	End Cap Ass'y. Commutator	Housing Assembly	Brush Spring
Briggs & Stratton	Housing Length								
12V	3-5/8"	394808	94003	395538	390837	394860	395537	393825	-
12V	4-1/2"	399928	94169	490311	490309	394860	490310	399172	490316

Reference Number	510	513	783	876	896
Starter Motor Mfr.	Starter Drive Group	Clutch Assembly	Gear	Pinion Spring Kit	Roll Pin
Briggs & Stratton	396865	391135	280104	393254	93754

400400 to 400499

REF. NO.	PART NO.	DESCRIPTION	REF. NO.	PART NO.	DESCRIPTION	REF. NO.	PART NO.	DESCRIPTION		
1	394900	Cylinder Assembly		Note: 393480	Flywheel and Ring Gear Assy.—	42	93630	Retainer—Exhaust Valve Roto-Cap (2)		
2	261623	Bearing—Cylinder			Magneto (16 Amp)	45	261368	Tappet—Valve		
3	391086	Seal—Oil			Used on Type No. 0122.	46	212337	Gear—Cam		
5-1	212461	Head—Cylinder #1				50	393349	Manifold Assy.—Intake		
5-2	212462	Head—Cylinder #2				51	*† 271412	Gasket—Carb. Mtg.		
7-1	* 271867	Gasket—Cylinder Head #1	24	222698	Key—Flywheel (For MAGNETRON® Ignition)	52	* 270884	Gasket—Intake Manifold Mtg.		
7-2	* 271868	Gasket—Cylinder Head #2	25	394955	Piston Assembly—Standard	53	93415	Screw—Hex. Hd. Sem		
8-1	393243	Breather Assembly #1		394956	Piston Assembly—.010" O.S.	54	93208	Screw—Intake Manifold Mtg. Sem		
8-2	393153	Breather Assembly #2		394957	Piston Assembly—.020" O.S.	74	93808	Screw—Sem		
9	* 27803	Gasket—Valve Cover		394958	Piston Assembly—.030" O.S.	75	222511	Washer—Spring		
10	93394	Screw—Sem		PISTON RING SETS:				78	93805	Screw—Sem
11	280185	Tube—Breather		26	394959	Ring Set—Piston—Standard	81	223016	Lock—Muffler Screw	
11A	280198	Tube—Intake			394960	Ring Set—Piston—.010" O.S.	85	92674	Screw—Hex. Hd.	
12	* 270982	Gasket—Crankcase Cover—1/64" thick			394961	Ring Set—Piston—.020" O.S.	90	398107	Carburetor Assembly	
	* 271145	Gasket—Crankcase Cover—.005" thick			394962	Ring Set—Piston—.030" O.S.	91	399327	Body Assembly—Upper Carburetor	
	* 271146	Gasket—Crankcase Cover—.009" thick			27	260924	Lock—Piston Pin	Note: 399534	Body Assembly—Upper Carburetor (Used after Code Date 85082500 and before Code Date 87020200.)	
13	93111	Screw—Cylinder Head (1-15/16" long)			28	299691	Pin Assembly—Piston—Standard	93	231209	Bushing—Throttle Shaft
14	93113	Screw—Cylinder Head (2-5/16" long)				391286	Pin Assembly—Piston—.005" O.S.	94	† 292681	Valve Assembly—Carburetor Idle
15	91084	Plug—Oil Drain			29	393270	Rod Assembly—Connecting	95	93499	Screw—Throttle and Choke Valve Mtg. Sem
15A	93448	Plug—Hex. Socket			Note: For Connecting Rod with .020" Undersize Crankpin Bore—Order No. 393714.		96	223370	Valve—Throttle	
16	393823	Crankshaft			30	222480	Dipper—Connecting Rod	97	392672	Shaft and Lever—Throttle
	Note: Order 94196 Key or 231160 Pin for Timing Gear Retaining Device				31	220863	Washer—1/4 x 5/8 x 1/32	98	91920	Screw—Machine, Fil. Hd.—8-32 x 5/8"
	399899 Crankshaft Used on Type No. 0119				32	92909	Screw—Connecting Rod	99	26157	Spring—Throttle Adjustment
17	393741	Bearing—Ball (P.T.O. Side)			33	390420	Valve—Exhaust	102	† 271609	Gasket—Carburetor Body
18	394309	Cover Assembly—Crankcase (Ball Bearing)				Note: 390419 Valve-Exhaust Used on Type Nos. 0119, 0120	103	298514	Float—Carburetor	
	Note: 394420 Cover Assy.—Crankcase Used on Type No. 0119				34	261528	Valve—Intake	104	† 230896	Pin—Float Hinge
	394535 Cover Assy.—Crankcase (Ball Bearing) Used on Type Nos. 0015, 0016, 0122.				35	65906	Spring—Intake Valve	105	† 394681	Valve—Fuel Inlet
20	291675	Seal—Oil			36	26828	Spring—Exhaust Valve	107	399625	Body—Lower Carburetor (Used after Code Date 85082500.)
22	93847	Screw—Crankcase Cover Mtg. Sem			40	221596	Retainer—Intake Valve	Note: 398106	Body—Lower Carburetor (Used before Code Date 85082600.)	
23	392956	Flywheel and Ring Gear Assy.—Magneto			41	292260	Roto-Cap—Exhaust Valve			

* Included in Gasket Set—Part No. 394501.

† Included in Carburetor Overhaul Kit—Part No. 394502.

400400 to 400499

REF. NO.	PART NO.	DESCRIPTION	REF. NO.	PART NO.	DESCRIPTION	REF. NO.	PART NO.	DESCRIPTION
108	223534	Valve—Choke (Used after Code Date 85082500.)	306.1	222846	Shield—Cylinder	432	‡ 221377	Cap—Spring
	Note:	222010 Valve—Choke (Used before Code Date 85082600.)	306.2	222847	Shield—Cylinder	434	223688	Cover—Diaphragm (Used After Code Date 85121500.)
109	392673	Shaft and Lever— Choke			Note: 223734 Shield—Cylinder Used on Type Nos. 0016, 0112.		Note:	222615 Cover— Diaphragm (Used Before Code Date 85121600.)
111	26155	Spring—Choke	307	93163	Screw—Sem	435	93829	Screw—Diaphragm Cover
116	280474	O-Ring	308.1	222848	Cover—Air Guide	445	394018	Cartridge—Air Cleaner
117	231339	Jet—Needle Valve	308.2	222849	Cover—Air Guide	455	222674	Cup—Screen Mounting
	Note:	231337 Jet—Needle Valve (High Altitude)	309		Motor—Starting See Chart on Illustrated Pages for Replacement Parts for Starting Motors.	467	212706	Knob—Air Cleaner
119	94152	Screw—Hex. Hd. Sem—10/32 x 3/4"	319	394988	Armature Assembly	468	222673	Screen—Flush Rotating
121	394502	Carburetor Overhaul Kit	321	212370	Fan—Booster	474	393474	Stator—Alternator (Dual Circuit)
161	222752	Body—Air Cleaner		Note:	212418 Fan—Booster Used on Type No. 0122.		Note:	393295 Stator— Alternator (16 Amp.) (Uses Ref. 878A)
171	93715	Nut—Hex.	324	222872	Screen—Rotating	478	223106	Bracket—Starter
187	299146	Line—Fuel (28") Cut to required length.		Note:	223008 Screen— Rotating Used on Type No. 0122.	482	93621	Screw—Sem
189	90366	Lockwasher				500	91325	Washer
201	261444	Link—Governor	332	230674	Nut—Hex	501	394890	Regulator Alternator (A.C. or D.C.) (16 Amps.)
202	261531	Link—Speed Control		Note:	231247 Nut—Jam Used on Type No. 0122.	506	231174	Terminal
209	261720	Spring—Governor	333	394891	Armature Group— (MAGNETRON® Ignition)	507	280180	Grommet—Insulator
209A	261563	Spring—Governed Idle				518	69932	Rope—Starter
216	261511	Rod—Manual Choke	334	93381	Screw—Armature Mtg. Sem	520	93722	Terminal—Spade
219	394348	Gear—Governor	337	394539	Plug—Spark (2-3/8" High—60 M.M.) (Resistor)	523	398924	Cap and Dipstick— Oil Filler
220	222773	Washer—Thrust	344	93042	Screw—Hex. Hd. Sem	523A	394014	Cap and Dipstick— Oil Filler
222	222807	Bracket—Speed Control	346	93705	Screw—Hex. Hd. Sem	524	68838	Seal—Filter Tube
223	222828	Lever—Speed Control	353	92791	Washer—Lock— Shakeproof	525	280220	Tube—Oil Filler
223A	394324	Plate Assembly— Governor Control	354	90576	Nut—Hex.—8-32	525A	392782	Tube—Oil Filler
227	393846	Lever Assy.—Governor	356	298693	Wire—Ground	526	93559	Screw—Regulator
229	222289	Washer	357	91540	Key—Pulley	527	220162	Clip—Wire
230	220863	Washer—Gov. Crank (Inside)	358	394501	Gasket Set	528	393244	Line—Fuel (Impulse)
240	394358	Filter—Fuel (In Fuel Pipe)	363	19203	Puller—Flywheel (Optional Accessory)	535	271271	Element—Air Cleaner
244	230318	Connector—Fuel Pipe	370	231172	Bushing—Speed Control	537	*† 271411	Gasket—Air Cleaner
257	93897	Screw—Casing Clamp	370A	66432	Washer—Plain	539	221372	Clip—Control Rod
258	93163	Screw—Sem (For Cast Iron Manifold)	383	89838	Wrench—Spark Plug	542	90746	Screw—Fil. Hd.
	Note:	93868 Screw—Sem (For Aluminum Manifold)	387	280197	Body—Pump	549	271180	Washer
265	221535	Clamp—Casing	392	‡ 261395	Spring—Pump	552	261559	Lower Bushing—Gov.
284	93828	Screw—Sem	394	‡ 270988	Diaphragm	552A	261560	Upper Bushing— Governor
284A	93893	Screw—Sem	423	93343	Screw—Hex Head	556	93783	Screw—Hex. Hd.
284B	93886	Screw—Hex. Hd.				558	92268	Washer
300	394200	Muffler—Exhaust				561	92278	Nut—Hex.
300A	394237	Muffler—Exhaust				562	93853	Bolt—Governor Lever
304	396088	Housing—Blower				567	93777	Screw—Hex. Hd. (Back Plate to Cylinder)
305	93158	Screw—Sem						

* Included in Gasket Set—Part No. 394501.

† Included in Carburetor Overhaul Kit—Part No. 394502.

‡ Included in Carb. Overhaul Kit—No. 394502 and Pump Repair Kit—No. 393397.

400400 to 400499

REF. NO.	PART NO.	DESCRIPTION	REF. NO.	PART NO.	DESCRIPTION	REF. NO.	PART NO.	DESCRIPTION
568	394391	Base—Engine	861	393397	Repair Kit—Pump			
569	* 270981	Gasket—Engine Base	862	392643	Mounting Strap Assy.— Air Cleaner			
572	222700	Guide—Air	863	222776	Bracket—Muffler			
573	392934	Back Plate Assembly	864	393483	Adapter Assy.—Muffler			
575	299139	Switch—Starting	864A	490358	Adaptor Assy.—Muffler (Cyl. # 1)			
578	394518	Wire Assembly	864B	490357	Adapter Assy.—Muffler (Cyl. # 2)			
586	22906	Lock—Flywheel Nut	865.1	392991	Cover Assy.—Air Guide (Cyl. # 1)			
592	92278	Nut—Hex.—10-24	865.2	392992	Cover Assy.—Air Guide (Cyl. # 2)			
601	93053	Clamp—Fuel Pipe		Note:	399931 Cover Assy.—Air Guide (Cyl. # 2)			
613	93927	Screw—Muffler Mtg.			Used on Type Nos. 0015, 0111.			
615	93851	Retainer—E-Ring	866	393025	Rear Insert Assembly (Air Guide)			
616	394396	Crank—Governor	867	222775	Frame—Air Guide			
634	† 271013	Washer (Throttle Shaft)	869	261463	Seat—Intake Valve (Standard)			
634A	271316	Foam Seal—Governor Shaft	870	210940	Seat—Exhaust Valve (Standard)			
635	66538	Elbow—Spark Plug	871	261961	Guide—Exhaust Valve			
642	223001	Cover—Air Cleaner		Note:	231218 Guide—Intake Valve			
643	222835	Cartridge Plate—Air Cleaner			See Repair Manual			
653	91162	Screw—Hex. Hd.— 5/16-18 x 1-1/2"	877	393456	Diode and Connector Assy. (Dual Circuit)			
657	93496	Screw—Sem	878	393362	Alternator Harness Assembly			
664	93343	Screw—Sem	878A	393422	Alternator Harness Assy.			
664A	93415	Screw—Hex. Hd.	883	271174	Gasket—Exhaust			
676	393761	Deflector—Muffler	897	394970	Trigger Coil Assy.— MAGNETRON® Ignition			
725	222981	Shield—Heat	947	397266	Solenoid			
726	391362	Gear—Flywheel Ring (Including Mounting Parts)	955	397882	Plug and Seal—			
741	262221	Gear—Timing (Used with Key)	1019	491260	Decal Kit			
	Note:	231321 Gear— Timing (Used with Pin)						
795	490066	Switch Assy.—Key						
795A	392697	Switch—Ignition (Toggle)						
	Uses:	93888 Nut—Hex.						
826	394667	Wire Assy.—Starter Switch to Ground Wire Terminal						
840	394583	Panel Assy.—Starter						
842	271170	Seal—Tube						
847	398990	Dipstick and Tube Assembly						
847A	394023	Dipstick and Tube Assembly						
851	221798	Terminal—Ignition Cable						
858	‡ 270989	Diaphragm—Damping						
859	‡ 271025	Gasket—Carb. Pump						
860	‡ 261358	Spring (2)						

* Included in Gasket Set—Part No. 394501.

† Included in Carburetor Overhaul Kit—Part No. 394502.

‡ Included in Carb. Overhaul Kit—No. 394502 and Pump Repair Kit—No. 393397.