

Illustrated Parts List

Model Series

400400 to 400499

TYPE NUMBERS
1200 through 1203
1205, 1206, 1207,
1501, 1502, 4002,
4015 and 4016

TO FIND
THE CORRECT NUMBER OF THE PART YOU NEED:
FOLLOW THE INSTRUCTIONS BELOW

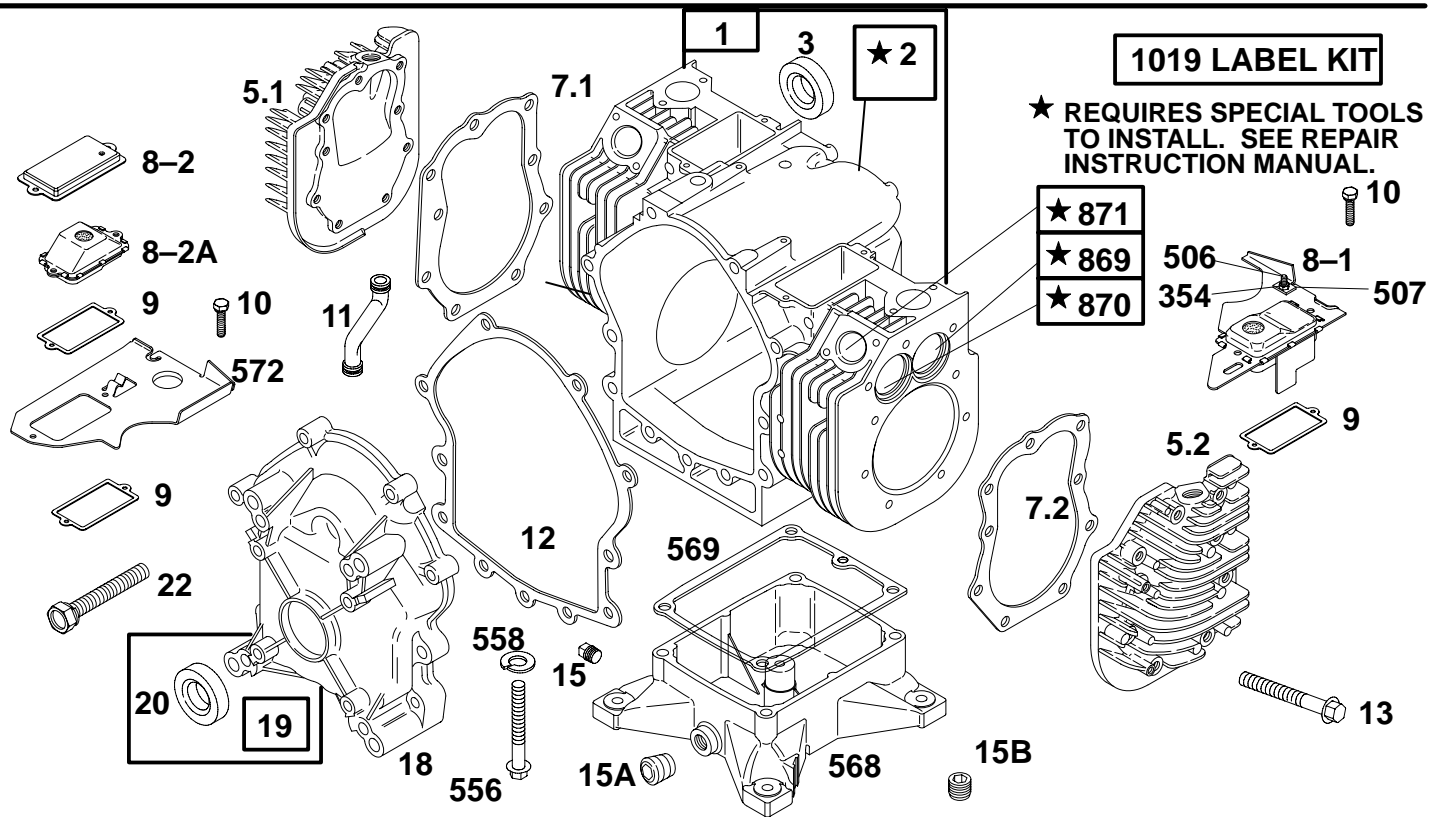
- A. Refer to Engine Model, Type and Code Number that is stamped on the blower housing of engine. Engine type numbers such as 0123 01 are listed only as 0123 in most instances. The two digits (01 or 02, etc.) to the right of the space may be required for more accurate parts identification in some instances. Select the Illustrated Parts List covering the correct Model Series and Type Number.
- B. Refer to the Illustrations and compare the original part with Illustration. The number next to the illustration is the Reference Number. Assemblies include all parts shown in frames. All parts shown in assembly frames having individual reference numbers can be purchased separately.
- C. After the Reference Number has been identified, refer to the Numerical text, where Reference and Primary Part Number are listed. **THE PRIMARY PART IS USED ON ALL TYPE NUMBERS EXCEPT THOSE TYPE NUMBERS UNDER "NOTE."**
- D. If a "Note" appears below the Primary Part Number, it means that this part differs from the Primary Part for certain types. If your Type number is listed under "Note," order the part referred to at the "Note."
- E. If your Engine Type Number does not appear after any part number listed under "Note," use the Primary Part Number.
- F. For Engine Type Numbers not covered by this book, check other Parts Lists having the same engine model or contact your source of supply.

PRINTED IN U.S.A.



COPYRIGHT by BRIGGS & STRATTON CORPORATION
All rights reserved. No part of this material may be reproduced or transmitted, in any form or by any means, electronic or mechanical, including photocopying, recording or by any information storage and retrieval system, without permission in writing from Briggs & Stratton Corporation.

400400 to 400499

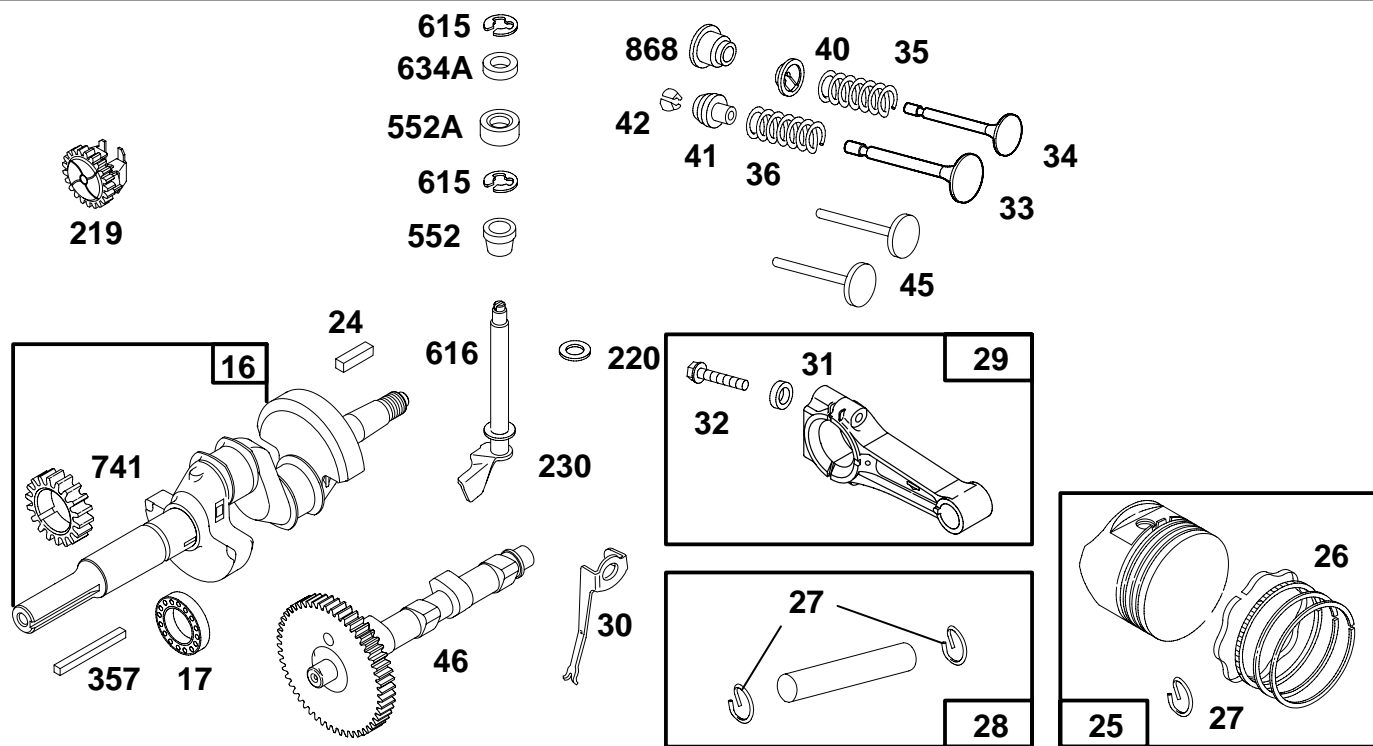


REF. NO.	PART NO.	DESCRIPTION	REF. NO.	PART NO.	DESCRIPTION	REF. NO.	PART NO.	DESCRIPTION
1	497075	Cylinder Assembly	15A	93448	Plug—Hex. Socket			(Used Before Code Date 92092500).
2		Bearing—Cylinder See Last Pages.	15B	94497	Plug—Pipe (1/8"—27 NPTF)	558	92268	Washer
3	★391086	Seal—Oil	18		Cover Assembly—Crankcase (Ball Bearing) See Last Pages.	568	490918	Base—Engine Note
5.1	493457	Head—Cylinder #1	19	491718	Bearing—Crankcase Cover	569	★272062	Gasket—Engine Base
5.2	493458	Head—Cylinder #2			Note	572	224580	Guide—Air (Used After Code Date 91081800). Note
7.1	★271867	Gasket—Cylinder Head #1	20	★291675	Seal—Oil			222700 Guide—Air (Used Before Code Date 91081900).
7.2	★271868	Gasket—Cylinder Head #2	22	93847	Screw—Crankcase Cover Mtg. Sem	869	261463	Seat—Intake Valve (Standard)
8.1	393243	Breather Assembly #1	354	90576	Nut—Hex.	870	213316	Seat—Exhaust Valve (Standard)
8.2	222892	Cover—Breather Cyl. #2. (Used After Code Date 91081800).	506	231174	Terminal	871	261961	Guide—Exhaust Valve Note
8.2A	393153	Breather Assembly #2 (Used Before Code Date 91081900).	507	280180	Grommet—Insulator			231218 Guide—Intake Valve See Repair Manual
9	★27803	Gasket—Valve Cover	556	94725	Screw—Hex. Head (Used After Code Date 92092400). Note	1019	491260	Label Kit
10	94382	Screw—Sem			93783 Screw—Hex. Hd.			
11	280819	Tube—Breather						
12		Gasket—Crankcase Cover See Last Pages.						
13	94565	Screw—Cylinder Head						
15	91084	Plug—Oil Drain						

★ Included in Gasket Set—Part No. 491856.

● Included in Carburetor Kit—Part No. 491539.

■ Included in Carburetor Kit—Part No. 491539 and Pump Repair Kit—Part No. 393397.



REF. NO.	PART NO.	DESCRIPTION	REF. NO.	PART NO.	DESCRIPTION	REF. NO.	PART NO.	DESCRIPTION
16	393823	Crankshaft Note For Timing Gear Key Retaining Device. Order Part No. 94196. 399899 Crankshaft Used on Type No(s). 1501, 1502. 492227 Crankshaft Used on Type No(s). 1201, 1203, 1206, 1207.		394962	Ring Set (.030" O.S.)			(Used Before Code Date 92090400).
17	393741	Bearing-Ball (P.T.O. Side)	27	260924	Lock-Piston Pin	33	390420	Valve-Exhaust Note 390419 Valve-Exhaust Used on Type No(s). 1501, 1502.
24	222698	Key-Flywheel	28	299691	Pin-Piton (Standard)	34	261528	Valve-Intake
25	394955	Piston Assembly (Standard) 394956 Piston Assy. (.010" O.S.) 394957 Piston Assy. (.020" O.S.) 394958 Piston Assy. (.030" O.S.)	29	393270	Rod-Conn. (Standard) 393714 Rod-Conn. (.020" Undersize) 492667 Rod-Conn. Used on Model Series 400447. 492911 Rod-Conn. (.020" Undersize)	35	65906	Spring-Intake Valve
26	394959	Ring Set (Standard) 394960 Ring Set (.010" O.S.) 394961 Ring Set (.020" O.S.)	30	222480	Dipper-Connecting Rod	36	26828	Spring-Exhaust Valve
			31	220863	Washer (Used Before Code Date 92090300).	40	221596	Retainer-Intake Valve
			32	94671	Screw-Conn. Rod (Used After Code Date 92090300). Note 92909 Screw-Conn. Rod	41	292260	Roto-Cap-Exhaust Valve
						42	93630	Retainer-Roto (2)
						45	261368	Tappet-Valve
						46	213520	Gear-Cam
						219	394348	Gear-Governor
						220	222773	Washer-Thrust
						230	223882	Washer-Gov. Crank (Inside)
						357	91540	Key-Pulley
						552	262332	Lower Bushing-Gov.
						552A	262331	Upper Bushing-Gov.
						615	94296	Retainer-E-Ring
						616	491530	Crank-Governor
						634A	*491287	Seal-Governor Shaft
						741	262694	Gear-Timing
						868	393606	Seal Assy. and Retainer

★ Included in Gasket Set-Part No. 491856.

● Included in Carburetor Kit-Part No. 491539.

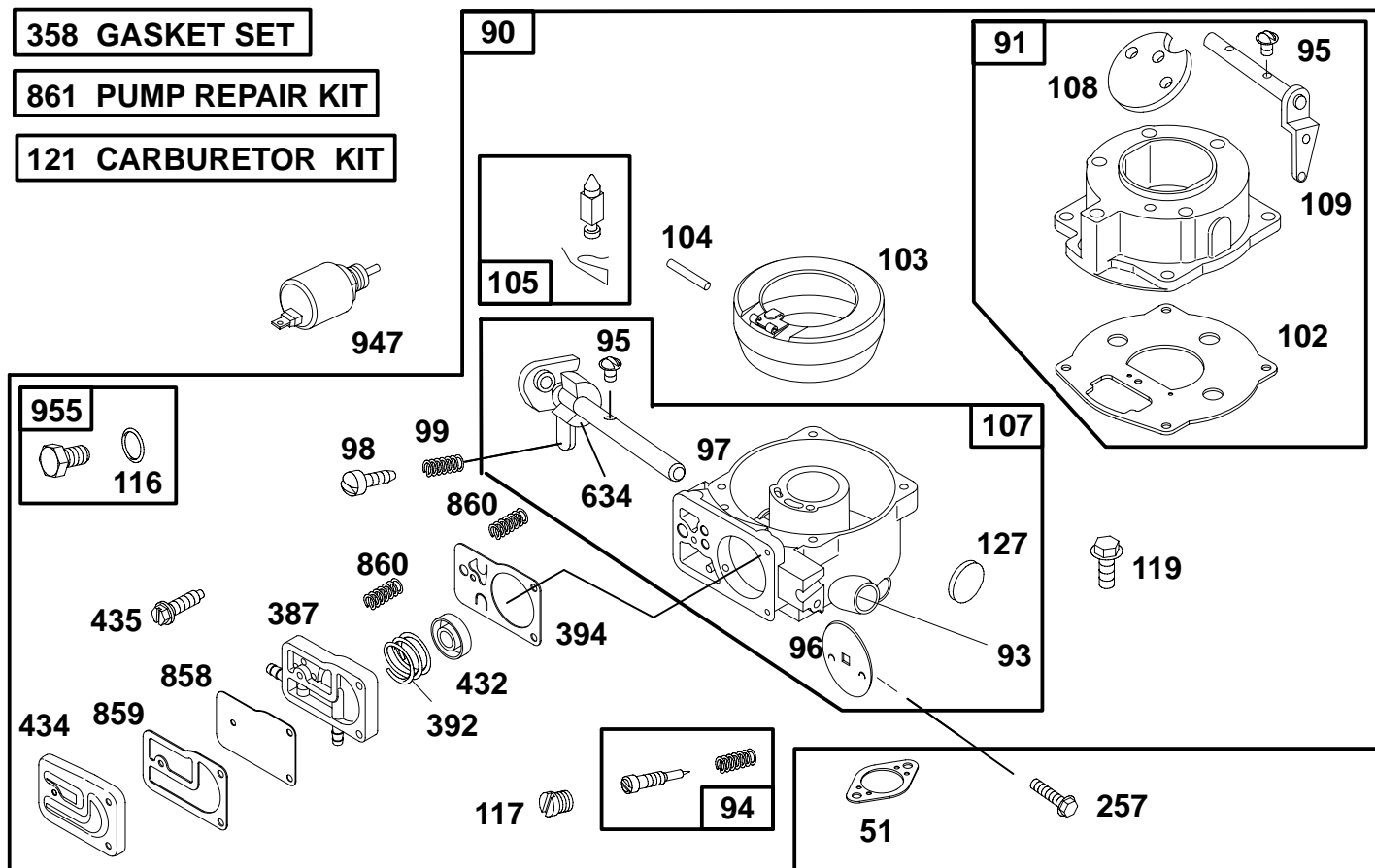
■ Included in Carburetor Kit-Part No. 491539 and Pump Repair Kit-Part No. 393397.

400400 to 400499

358 GASKET SET

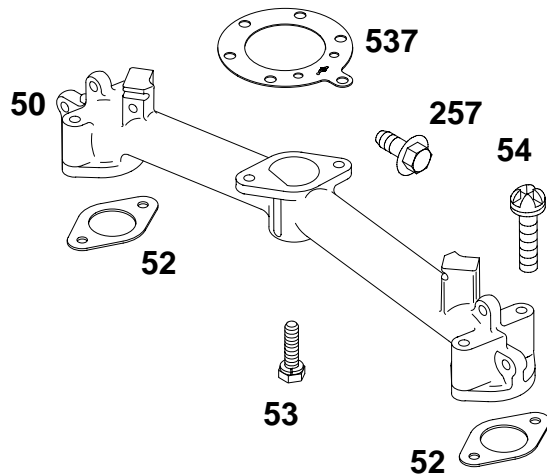
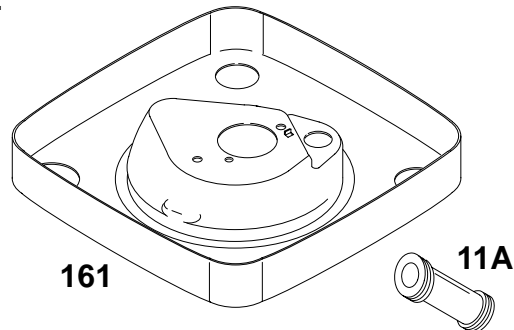
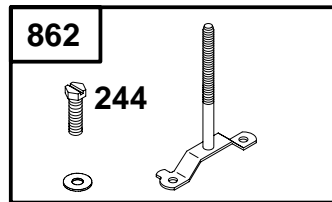
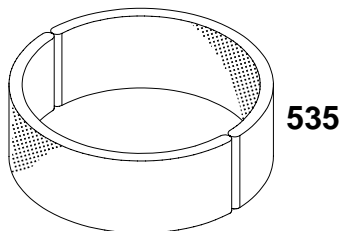
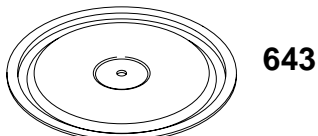
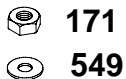
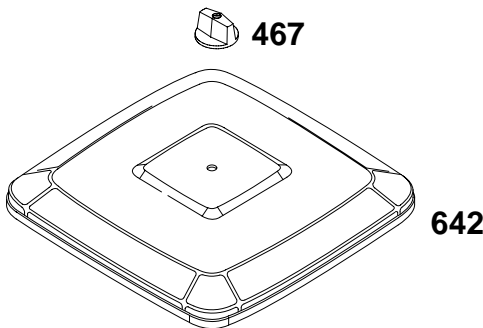
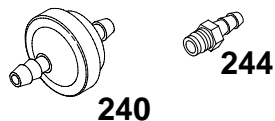
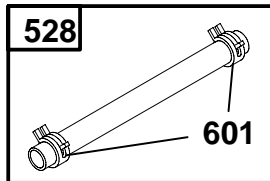
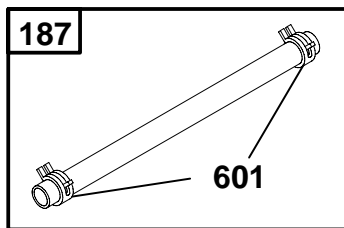
861 PUMP REPAIR KIT

121 CARBURETOR KIT



REF. NO.	PART NO.	DESCRIPTION	REF. NO.	PART NO.	DESCRIPTION	REF. NO.	PART NO.	DESCRIPTION
51	★271412	Gasket-Carb. Mtg.	102	●271609	Gasket-Carburetor Body	121	491539	Carburetor Kit
90	495026	Carburetor	103	298514	Float-Carburetor	127	●223472	Plug-Welch
91	495054	Body Assembly-Upper Carburetor (Used After Code Date 92021600).	104	●230896	Pin-Float Hinge	257	93897	Screw-Casing Clamp
———— Note ————			105	●394681	Valve-Fuel Inlet	358	491856	Gasket Set
		399327 Body Assy.-Upper Carburetor (Used Before Code Date 92021700).		394683	Valve-Fuel Inlet	387	280197	Body-Pump
93	231209	Bushing-Throttle Shaft	107	491531	Body-Lower Carburetor	392	■261395	Spring-Pump
94	●491538	Valve Assembly-Carburetor Idle				394	■270988	Diaphragm
95	93499	Screw-Sem				432	■221377	Cap-Spring
96	223370	Valve-Throttle				434	223688	Cover-Diaphragm
97	392672	Shaft-Throttle				435	93829	Screw-Diaphragm Cover
98	91920	Screw-Machine, Fil. Head				634	●271013	Washer (Throttle Shaft)
99	26157	Spring-Throttle Adjustment	108	223534	Valve-Choke	858	■270989	Diaphragm-Damping
			109	392673	Shaft-Choke	860	■261358	Spring (2)
			116	★280474	O-Ring	861	393397	Repair Kit-Pump
			117	231339	Jet-Needle Valve	947	397266	Solenoid
					231337 Jet-Needle Valve (High Altitude)	955	397882	Plug and Seal-Solenoid
			119	94152	Screw-Hex. Hd. Sem			

- ★ Included in Gasket Set-Part No. 491856.
- Included in Carburetor Kit-Part No. 491539.
- Included in Carburetor Kit-Part No. 491539 and Pump Repair Kit-Part No. 393397.



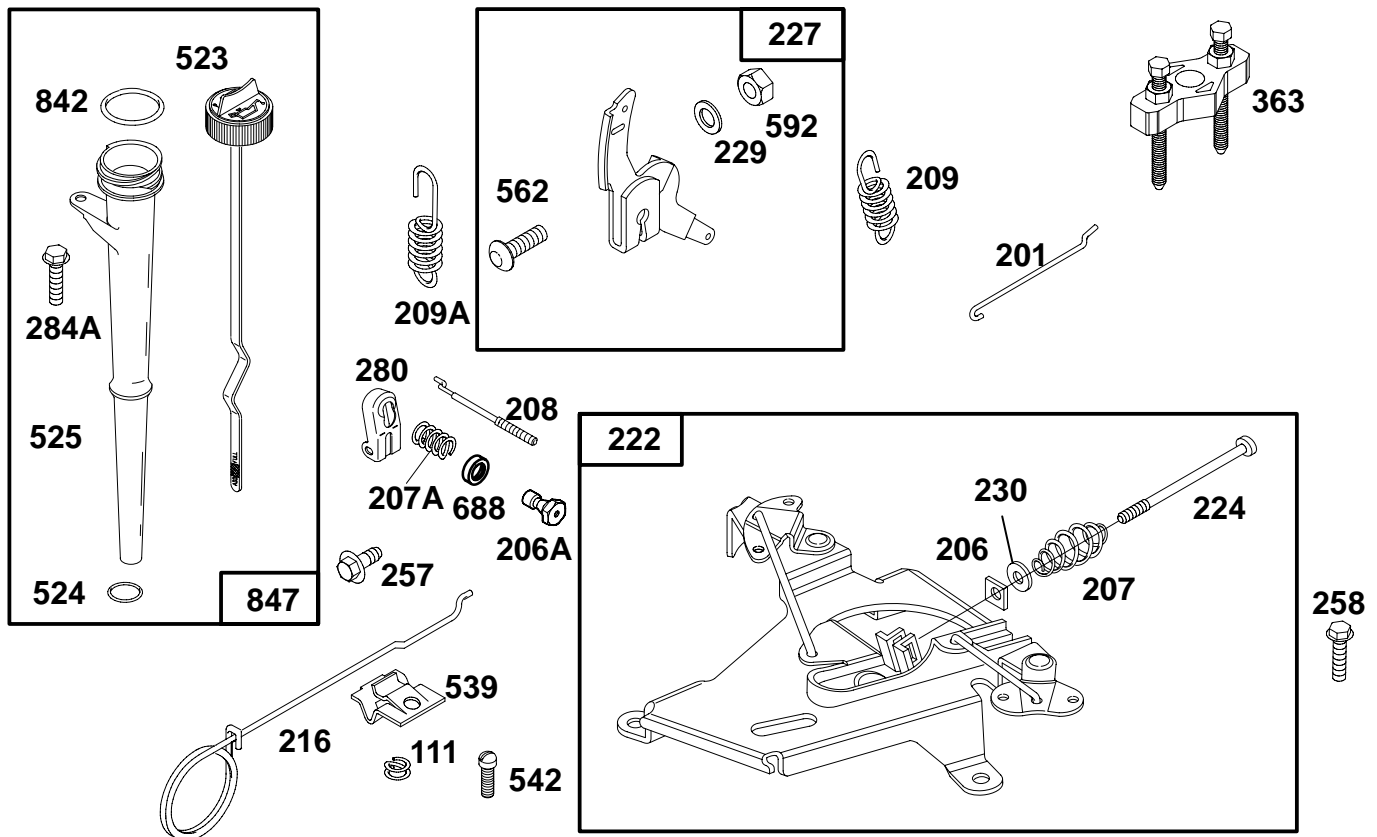
REF. NO.	PART NO.	DESCRIPTION	REF. NO.	PART NO.	DESCRIPTION	REF. NO.	PART NO.	DESCRIPTION
11A	280198	Tube-Intake	171	93715	Nut-Hex.	549	271180	Washer
50	213288	Manifold-Intake	187	299146	Line-Fuel (28") Cut to Required Length.	601	93053	Clamp-Fuel Pipe
52	★270884	Gasket-Intake Manifold	240	394358	Filter-Fuel (In Fuel Line)	642	223001	Cover-Air Cleaner
53	93415	Screw-Sem	244	230318	Connector-Fuel Line	643	222835	Cartridge Plate-Air Cleaner
54	94367	Screw-Sem	257	93897	Screw-Casing Clamp	862	495077	Mounting Strap Assy.-Air Cleaner (Used After Code Date 92021600).
161	224579	Body-Air Cleaner (Used After Code Date 91081800).	445	394018	Cartridge-Air Cleaner	Note		
		Note	467	493903	Knob-Air Cleaner	392643 Mounting Strap Assy.-Air Cleaner (Used Before Code Date 92021700).		
		222752 Body-Air Cleaner (Used Before Code Date 91081900).	528	393815	Line-Fuel (Impulse)			
			535	271271	Element-Air Cleaner			
			537	★271411	Gasket-Air Cleaner			

★ Included in Gasket Set-Part No. 491856.

● Included in Carburetor Kit-Part No. 491539.

■ Included in Carburetor Kit-Part No. 491539 and Pump Repair Kit-Part No. 393397.

400400 to 400499

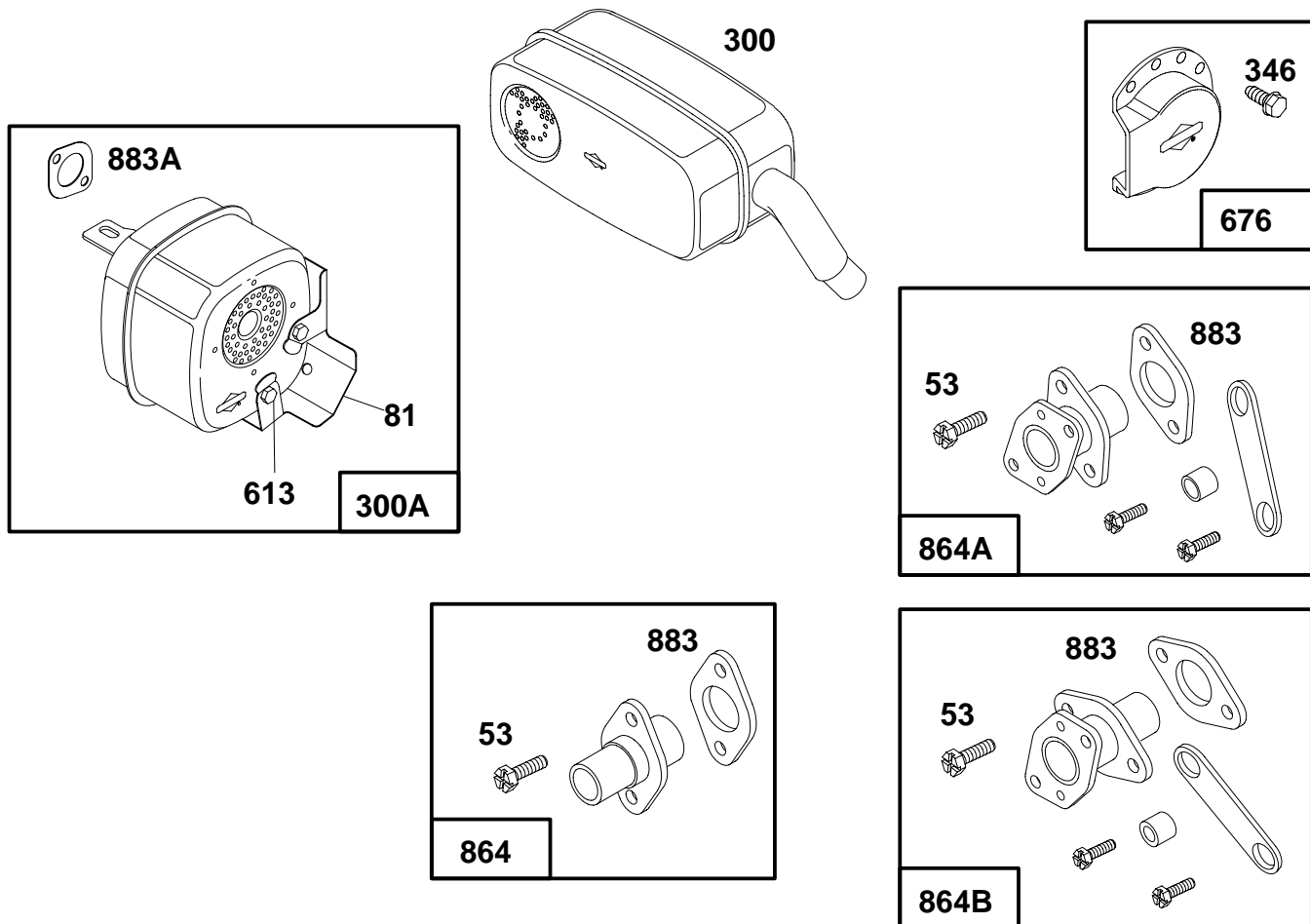


REF. NO.	PART NO.	DESCRIPTION	REF. NO.	PART NO.	DESCRIPTION	REF. NO.	PART NO.	DESCRIPTION
111	26155	Spring—Choke	209A	261563	Spring—Governed Idle	284A	93886	Screw—Hex. Hd.
201	262333	Link—Governor	216	261511	Rod—Manual Choke	363	19203	Puller—Flywheel
206	94298	Nut—Square	222	491282	Plate—Governor Control	523	398924	Cap and Dipstick—Oil Filler
206A	231542	Nut—Speed Control	224	94297	Screw—Pan Head	524	★68838	Seal—Filler Tube
207	262337	Spring—Compression	227	491298	Lever Assy.—Governor	525	280220	Tube—Oil Filler
207A	262347	Spring—Control Rod	229	222289	Washer	539	221372	Clip—Control Rod
208	262336	Rod—Control	230	223882	Washer—Gov. Crank (Inside)	542	90746	Screw—Fil. Head
209	262351	Spring—Governor	257	93897	Screw—Casing Clamp	562	93853	Bolt—Governor Lever
		Note	258	93868	Screw—Sem	592	92278	Nut—Hex.
		262352 Spring—Gov. Used on Type No(s) 1207, 4002, 4015, 4016.	280	223881	Bracket—Speed Control	842	★271170	Seal—Tube
						847	398990	Dipstick and Tube Assembly

★ Included in Gasket Set—Part No. 491856.

● Included in Carburetor Kit—Part No. 491539.

■ Included in Carburetor Kit—Part No. 491539 and Pump Repair Kit—Part No. 393397.



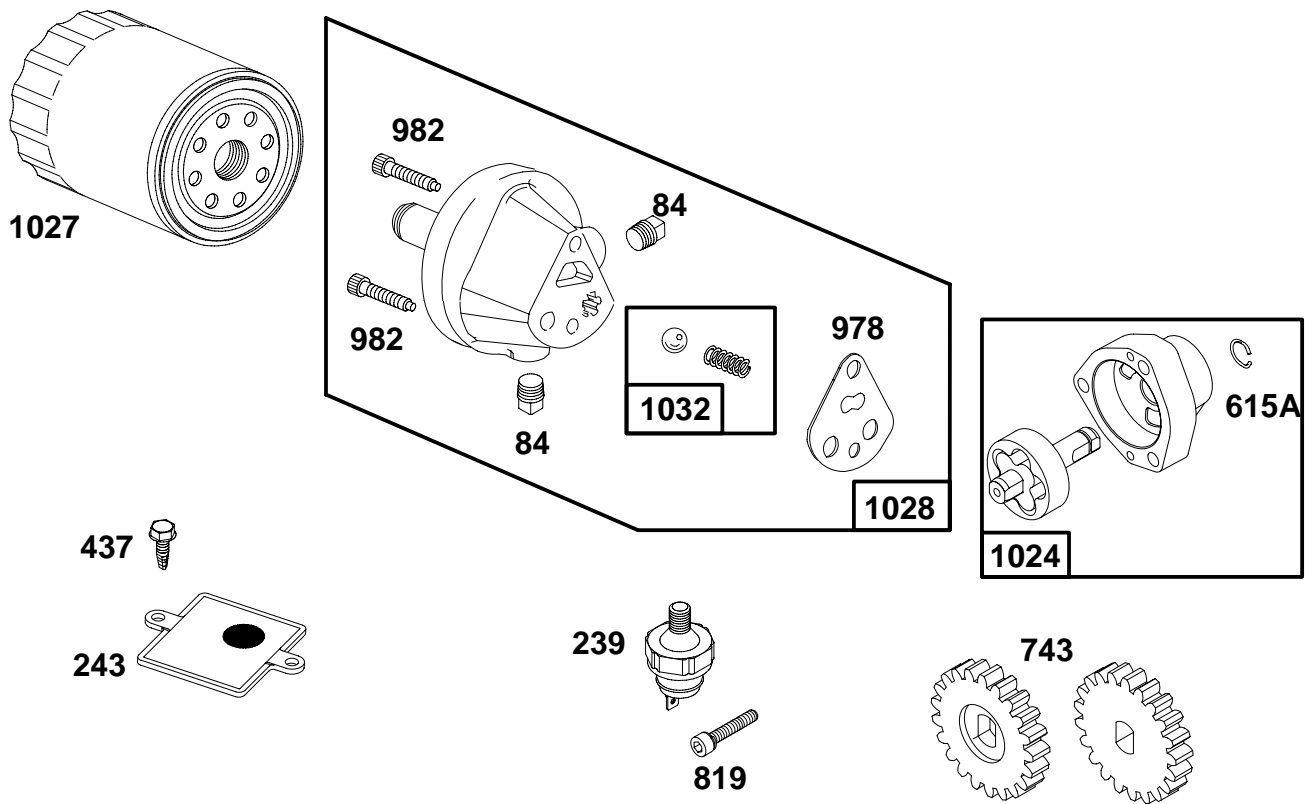
REF. NO.	PART NO.	DESCRIPTION	REF. NO.	PART NO.	DESCRIPTION	REF. NO.	PART NO.	DESCRIPTION
53	93415	Screw-Sem	613	93927	Screw-Hex. Head	864B	490357	Adaptor Assy.-Muffler (Cyl. #2)
81	223016	Lock-Screw	676	393761	Deflector-Exhaust	883	★272250	Gasket-Exhaust
300	491307	Muffler-Exhaust	864	398349	Adapter Assy.-Muffler	883A	★272293	Gasket-Exhaust
300A	399635	Muffler Assy.	864A	490358	Adaptor Assy.-Muffler (Cyl. #1)			
346	93705	Screw-Deflector						

★ Included in Gasket Set-Part No. 491856.

● Included in Carburetor Kit-Part No. 491539.

■ Included in Carburetor Kit-Part No. 491539 and Pump Repair Kit-Part No. 393397.

400400 to 400499

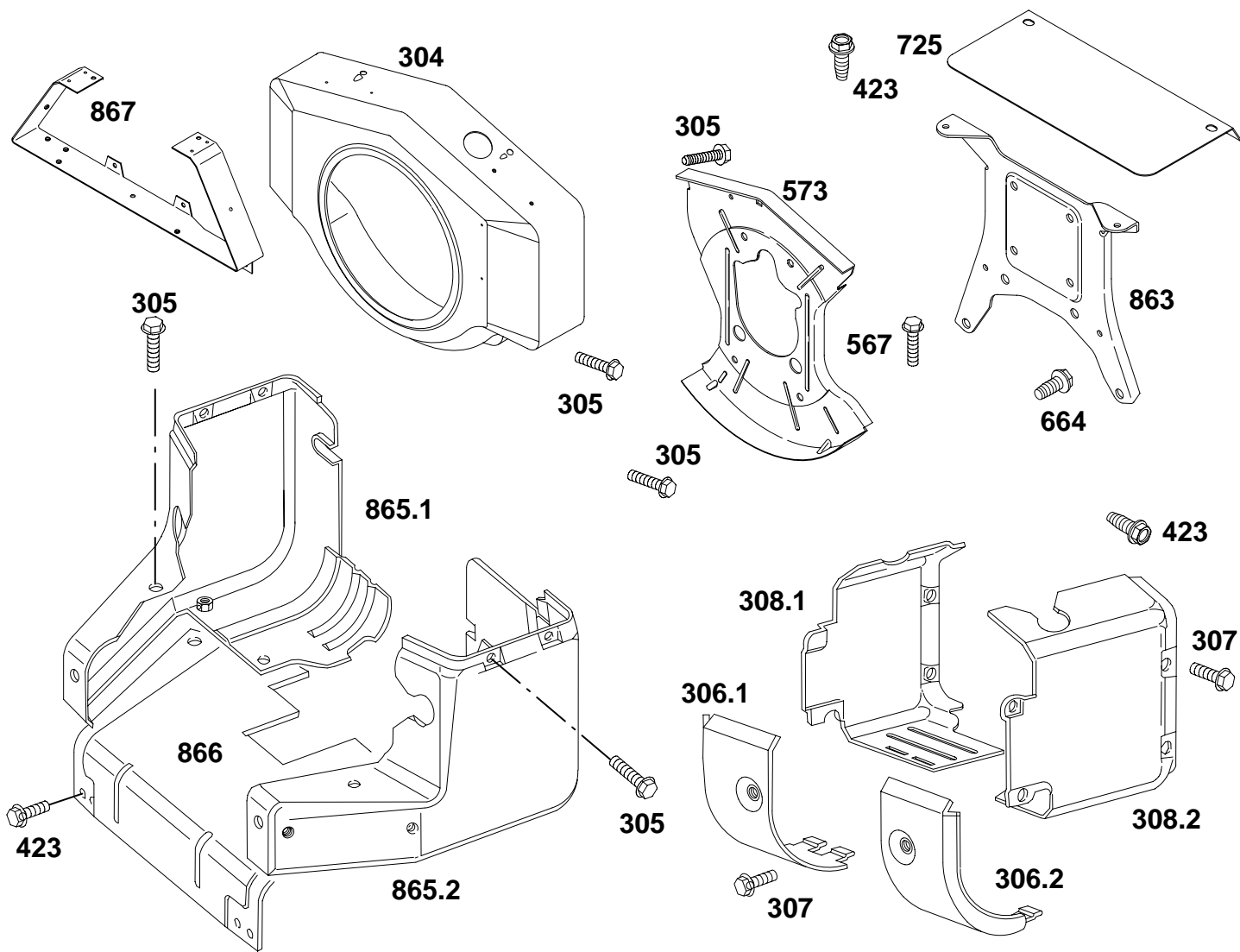


REF. NO.	PART NO.	DESCRIPTION	REF. NO.	PART NO.	DESCRIPTION	REF. NO.	PART NO.	DESCRIPTION
84	91488	Plug-Pipe	743	491801	Gear-Oil Pump Drive	1027	491056	Filter-Oil
239	491657	Switch-Oil Pressure	819	94366	Screw-Pump Mtg.	1028	491721	Adapter Assembly-Oil Filter
243	491289	Screen-Oil Pump	978	272060	Gasket-Adapter	1032	491710	Ball And Spring Assembly
437	94386	Screw-Self Tapping	982	94362	Screw-Adapter Mtg.			
615A	94412	Ring-Retaining	1024	491708	Pump Assembly-Oil			

★ Included in Gasket Set-Part No. 491856.

● Included in Carburetor Kit-Part No. 491539.

■ Included in Carburetor Kit-Part No. 491539 and Pump Repair Kit-Part No. 393397.



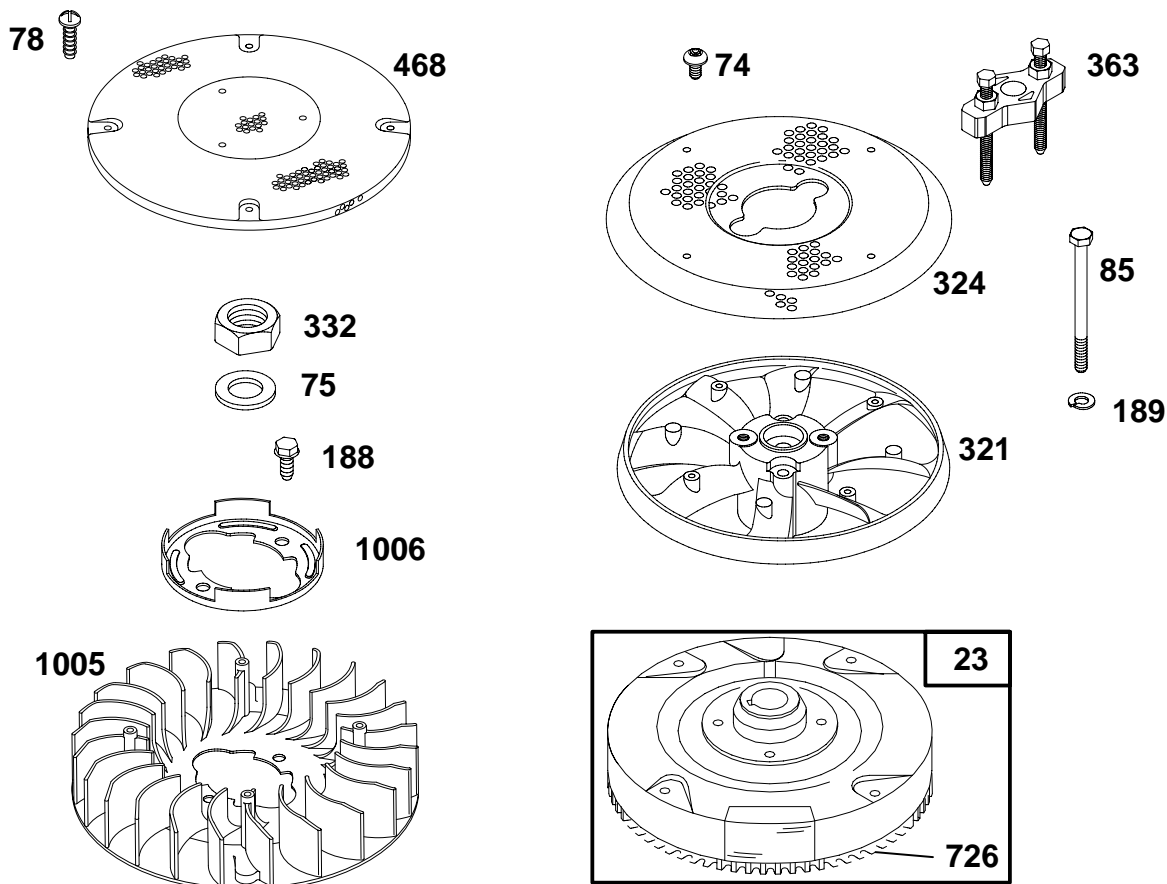
REF. NO.	PART NO.	DESCRIPTION	REF. NO.	PART NO.	DESCRIPTION	REF. NO.	PART NO.	DESCRIPTION
304	491245	Housing-Blower			————— Note —————	664	93343	Screw-Sem
305	93158	Screw-Sem (1/2" Long)			93163 Screw-Sem (Used After Code Date 91081900).	725	222981	Shield-Heat
		————— Note —————	308.1	222848	Cover-Air Guide	863	222776	Bracket-Muffler
		94513 Screw-Sem (3/4" Long)	308.2	222849	Cover-Air Guide	865.1	392991	Cover Assy.-Air Guide (Cyl. #1)
306.1	222846	Shield-Cylinder	423	93343	Screw-Hex Head	865.2	399931	Cover Assy.-Air Guide (Cyl. #2)
306.2	223734	Shield-Cylinder	567	93777	Screw-Hex. Head (Back Plate to Cylinder)	866	393025	Rear Insert Assembly (Air Guide)
307	94386	Screw-Sem (Used After Code Date 91081800).	573	491444	Back Plate Assembly	867	222775	Frame-Air Guide

★ Included in Gasket Set-Part No. 491856.

● Included in Carburetor Kit-Part No. 491539.

■ Included in Carburetor Kit-Part No. 491539 and Pump Repair Kit-Part No. 393397.

400400 to 400499

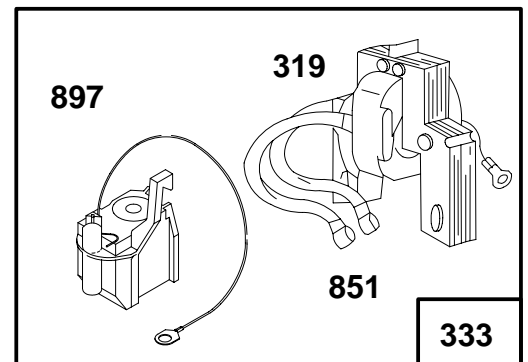
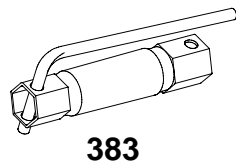
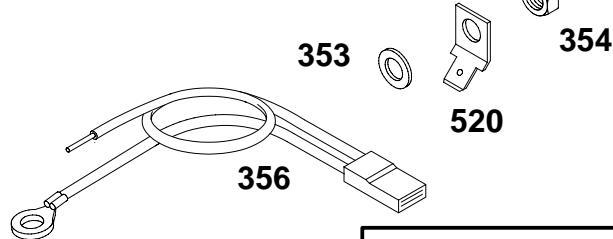
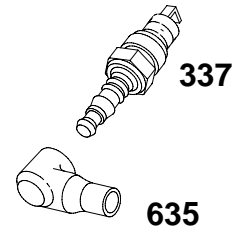
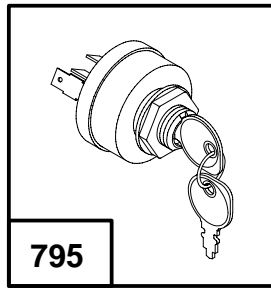
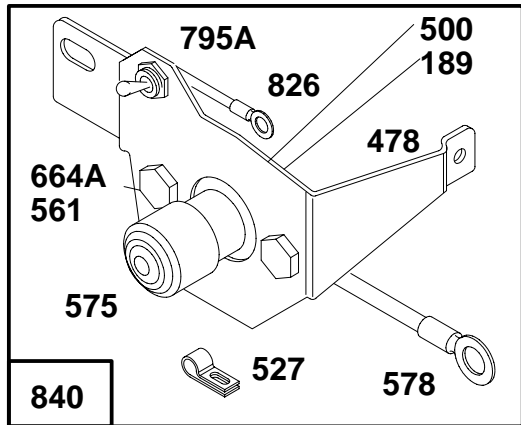


REF. NO.	PART NO.	DESCRIPTION	REF. NO.	PART NO.	DESCRIPTION	REF. NO.	PART NO.	DESCRIPTION
23	491180	Flywheel Note 491179 Flywheel (16 Amp.) Used on Type No(s). 1205, 1206, 1207.			(Used After Code Date 93011700). Note 213472 Fan-Booster (Used Before Code Date 93011800).			(Used After Code Date 93011700). Note 280815 Fan-Flywheel (Used Before Code Date 93011800).
74	93808	Screw-Truss Hd. Sem	324	223008	Screen-Rotating	1006	224413	Retainer-Fan (Used After Code Date 93011700).
75	222511	Washer-Spring	332	230674	Nut-Hex.			Note 223726 Retainer-Fan (Used Before Code Date 93011800).
78	94326	Screw-Sem	363	19203	Puller-Flywheel			
85	94385	Screw-Hex. Head	468	224521	Screen-Flush Rotating			
188	93535	Screw-Sem	726	391362	Gear-Flywheel Ring (Includes Mtg. Parts)			
189	90366	Lockwasher						
321	213852	Fan-Booster	1005	281053	Fan-Flywheel			

★ Included in Gasket Set-Part No. 491856.

● Included in Carburetor Kit-Part No. 491539.

■ Included in Carburetor Kit-Part No. 491539 and Pump Repair Kit-Part No. 393397.




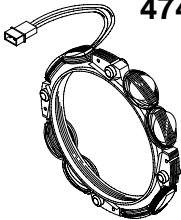
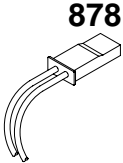
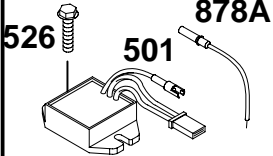
REF. NO.	PART NO.	DESCRIPTION	REF. NO.	PART NO.	DESCRIPTION	REF. NO.	PART NO.	DESCRIPTION
189	90366	Lockwasher	353	92791	Washer-Lock	635	66538	Elbow-Spark Plug
319	394988	Armature Assembly	354	90576	Nut-Hex.	664A	93415	Screw-Sem
333	394891	Armature Group	356	398808	Wire-Ground	795	490066	Switch Assy.-Key
334	93381	Screw-Sem	383	89838	Wrench-Spark Plug			Include(s):
337	802592	Plug-Spark (1-7/8" High, 48 mm) (Resistor Type)	478	223106	Bracket-Starter			392832 Key Set
		Note	500	91325	Washer	795A	392697	Switch-Toggle
		394539 Plug-Spark (2-3/8" High, 62 mm) (Resistor Type)	520	93722	Terminal-Spade	840	394583	Panel Assy.-Starter
			527	220162	Clamp-Cable	851	221798	Terminal-Ignition Cable
			561	92278	Nut-Hex.	897	394970	Trigger Coil Assy.
			575	299139	Switch-Starter			
			578	394518	Wire Assembly			


★ Included in Gasket Set-Part No. 491856.

● Included in Carburetor Kit-Part No. 491539.

■ Included in Carburetor Kit-Part No. 491539 and Pump Repair Kit-Part No. 393397.

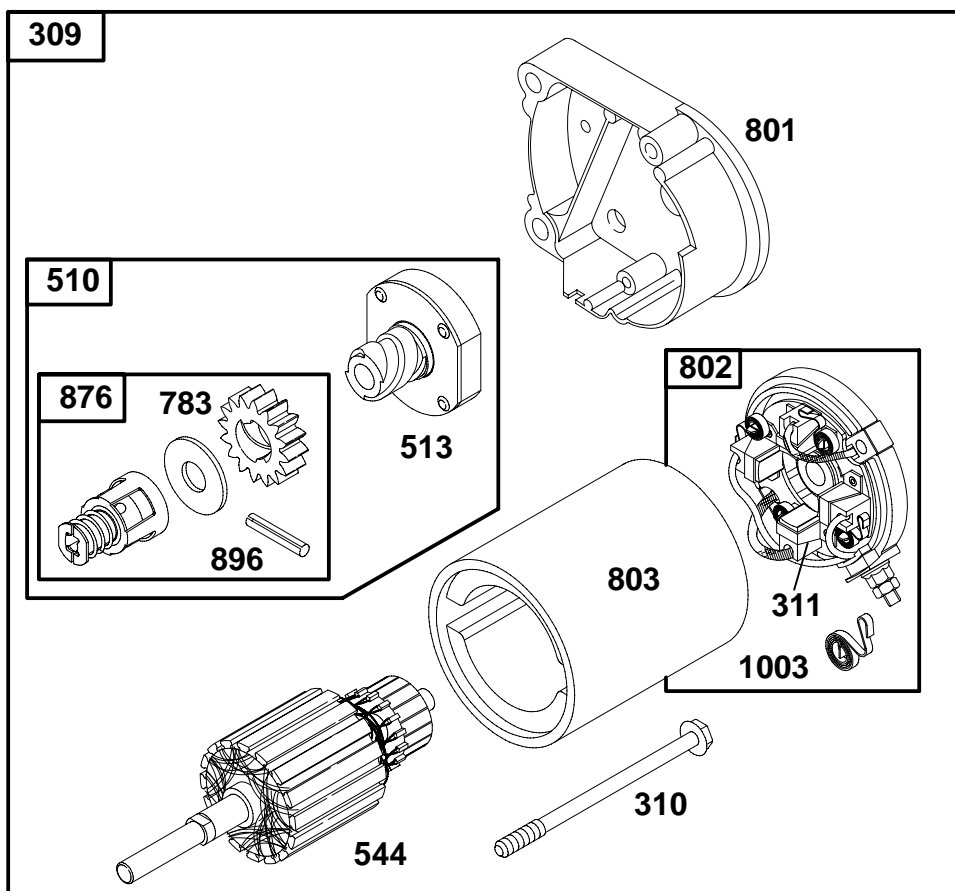
400400 to 400499

	DUAL CIRCUIT	TRI-CIRCUIT		
	SEE FLYWHEEL ASSEMBLY	SEE FLYWHEEL ASSEMBLY		
				
				
				

NOTE: ALL STATORS USE NO. 482 MOUNTING SCREW. 

REF. NO.	PART NO.	DESCRIPTION	REF. NO.	PART NO.	DESCRIPTION	REF. NO.	PART NO.	DESCRIPTION
474	393474	Stator-Alternator (Dual Circuit)	526	93559	Screw-Regulator	878	393362	Alternator Harness Assembly
474A	393295	Stator-Alternator (16 Amp.)	877	393456	Diode and Connector Assembly (Dual Circuit)	878A	393422	Alternator Harness Assembly
501	394890	Regulator-Alternator (16 Amp.)						

- ★ Included in Gasket Set-Part No. 491856.
- Included in Carburetor Kit-Part No. 491539.
- Included in Carburetor Kit-Part No. 491539 and Pump Repair Kit-Part No. 393397.



REF. NO.	PART NO.	DESCRIPTION	REF. NO.	PART NO.	DESCRIPTION	REF. NO.	PART NO.	DESCRIPTION
189	90366	Lockwasher				802	395537	End Cap Assy. Commutator For Housing Length (3-5/8")
309	394808	Motor-Starting For Housing Length (3-5/8")	510	490421	Starter Drive Group For Housing Length (3-5/8")			490310 End Cap Assy. Commutator For Housing Length (4-1/2")
	399928	Motor-Starting For Housing Length (4-1/2")						492022 End Cap Assy. Commutator For Housing Length (3-15/32")
	394808	Motor-Starting For Housing Length (3-15/32")	513	398003	Clutch Assembly	803	398159	Housing Assembly For Housing Length (3-5/8")
310	94003	Thru Bolt Assembly For Housing Length (3-5/8")	544	390837	Armature Assembly For Housing Length (3-5/8")			398892 Housing Assy. For Housing Length (4-1/2")
	94169	Thru Bolt Assembly For Housing Length (4-1/2")						490309 Armature Assembly For Housing Length (4-1/2")
311	395538	Brush Assembly For Housing Length (3-5/8")	653	91162	Screw-Hex. Hd.	876	490467	Retainer and Pin
	490311	Brush Assy. For Housing Length (4-1/2")	783	280104	Gear	896	94192	Roll Pin (Black)
	492020	Brush Assy. For Housing Length	801	394860	Drive End Cap Assy. For Housing Length (3-5/8")			94288 Roll Pin (Copper)
						1003	490316	Brush Spring For Housing Length (4-1/2")

★ Included in Gasket Set-Part No. 491856.

● Included in Carburetor Kit-Part No. 491539.

■ Included in Carburetor Kit-Part No. 491539 and Pump Repair Kit-Part No. 393397.

400400 to 400499

REF. NO.	PART NO.	DESCRIPTION	REF. NO.	PART NO.	DESCRIPTION	REF. NO.	PART NO.	DESCRIPTION	
2	491756	Bearing–Cylinder (Used After Code Date 91081800). Used on Model Series 400417 and 400437. and on Model Series 400447. (Used After Code Date 89073000). ——— Note ——— 491523 Bearing–Cyl. (Used Before Code Date 91081900). Used on Model Series 400417 and 400437. 495359 Bearing–Cyl. (Used Before Code Date 89073100).	12	★272061	Used on Model Series 400447. Gasket–Crankcase Cover (1/64" Thick) ★271145 Gasket– Crankcase Cover (.005" Thick) ——— Note ——— ★272127 Gasket– Crankcase Cover (.005" Thick) Used on Model Series 400447.	18	394309	Cover Assembly– Crankcase (Ball Bearing)	——— Note ——— 394420 Cover Assy.– Crankcase Used on Type No(s). 1501, 1502. 394535 Cover Assy.– Crankcase (Ball Bearing) Used on Type No(s). 1205, 4015, 4016. 491711 Cover Assy.– Crankcase Used on Type No(s). 1201, 1203, 1207. 491810 Cover Assy.– Crankcase Used on Type No(s). 1206.