

401400 to 401499

Notes

Illustrated Parts List

Model Series 401400 to 401499

TYPE NUMBERS
0010 thru 0013
0020 thru 0022
0110 through 0161

TO FIND

THE CORRECT NUMBER OF THE PART YOU NEED:

FOLLOW THE INSTRUCTIONS BELOW

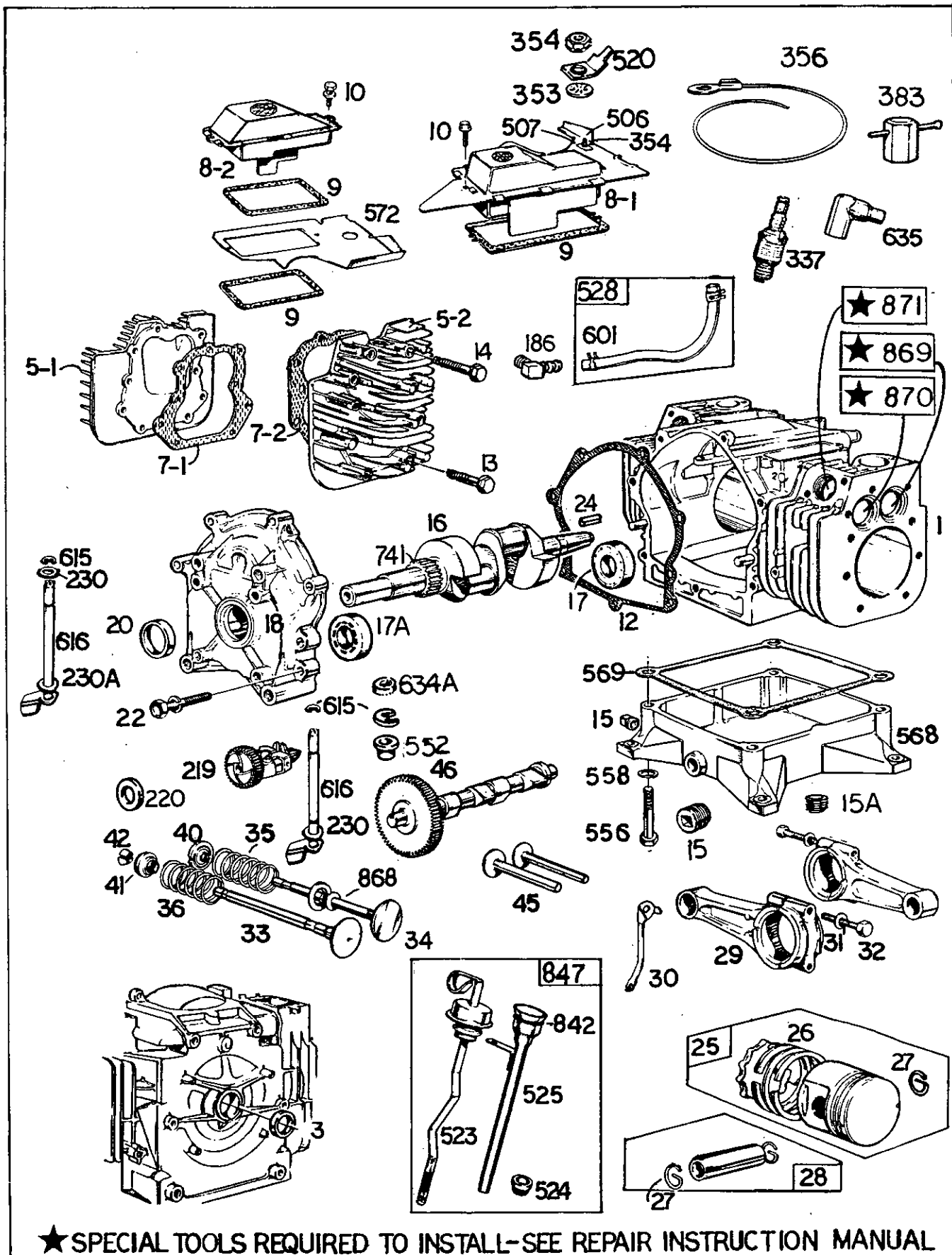
- A. Refer to Engine Model, Type and Code Number that is stamped on the blower housing of engine. Engine type numbers such as 0123 01 are listed herein only as 0123. The two digits (01 or 02, etc.) to the right of the space are not needed for parts identification. Then use the Illustrated Parts List covering these Model Series.
- B. Refer to Illustrated Parts section and compare the old part with illustration. The number on the illustration is the Reference Number. Assemblies include all parts shown in frames. All parts shown in assembly frames on which individual reference numbers are given can be purchased separately.
- C. After the Reference Number has been identified, refer to the Numerical Parts List, where Reference and Master Part Numbers are listed. **THE MASTER PART IS USED ON ALL TYPE NUMBERS EXCEPT THOSE TYPE NUMBERS UNDER "NOTE"**.
- D. If a "Note" appears below the Master Part Number, this means that this part differs from the Master Part for certain types. If the Type Number is listed under "Note", order the part referred to.
- E. If the Engine Type Number does not appear after any part number listed under "Note", use the Master Part Number.
- F. For Type Numbers higher than those covered by this book, please refer to the factory if you are unable to identify the part by comparison.

PRINTED IN U.S.A.



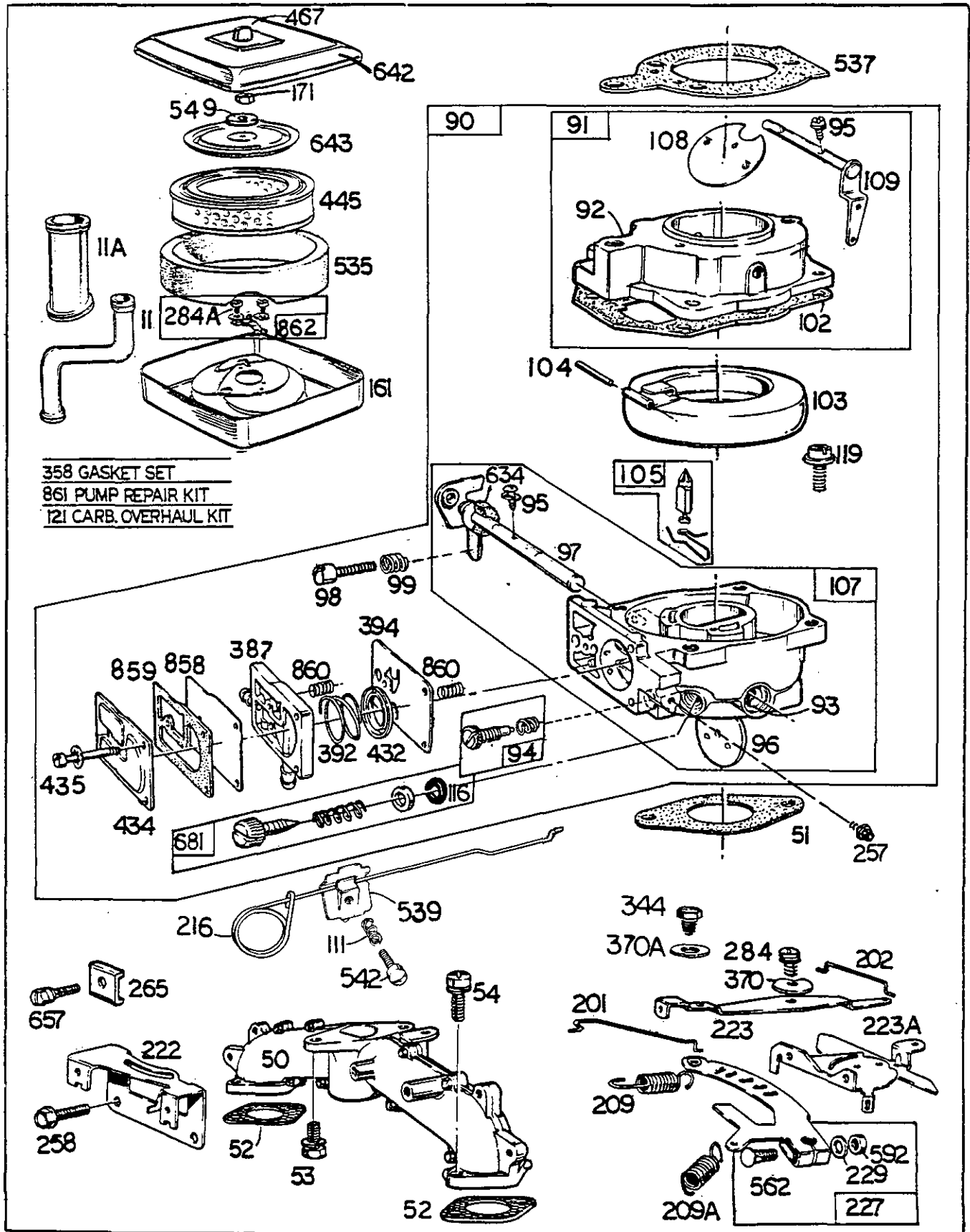
COPYRIGHT ©

401400 to 401499



4014-1-10

Assemblies include all parts shown in frames.



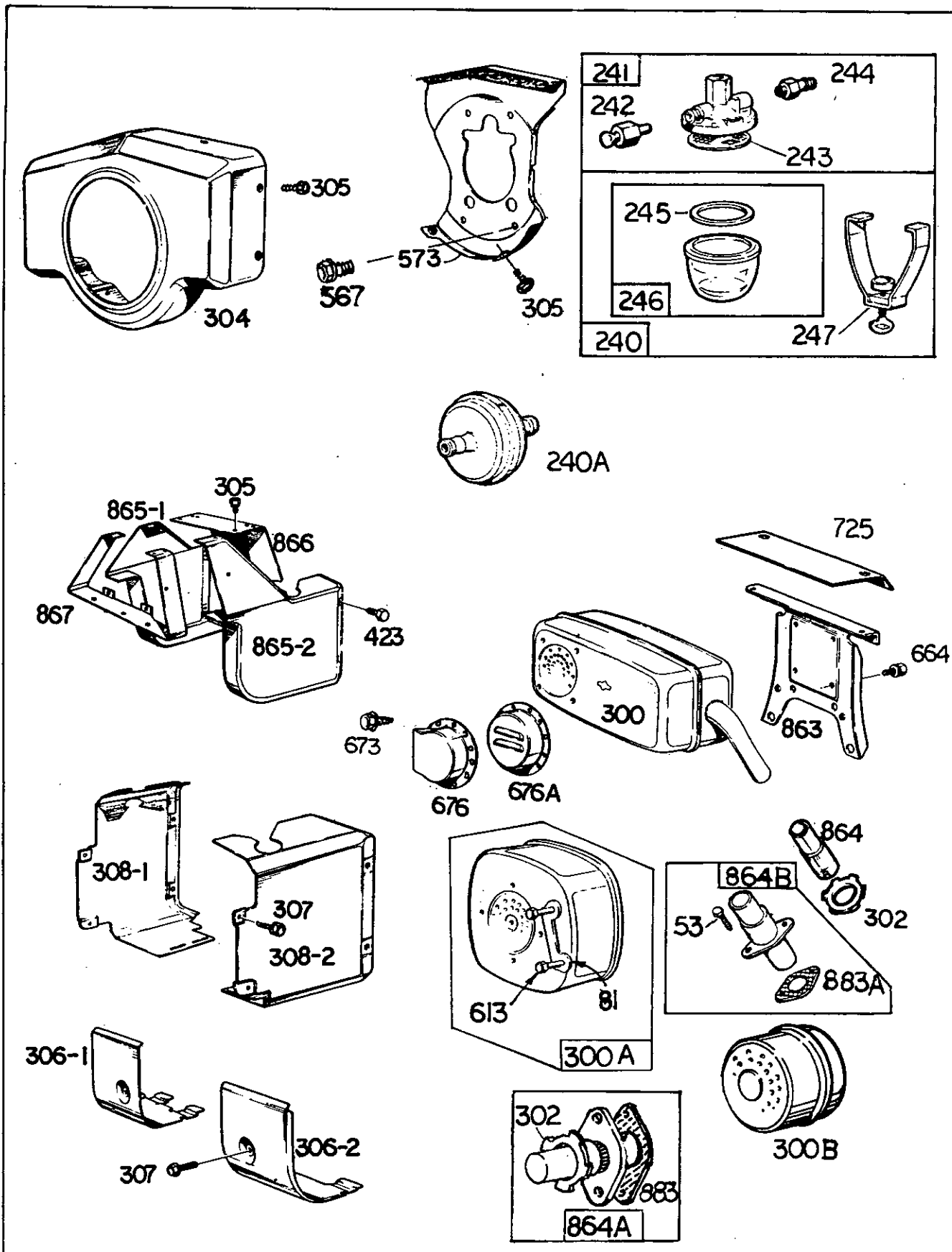
358 GASKET SET
 861 PUMP REPAIR KIT
 121 CARB. OVERHAUL KIT

4014-2-10

Gkt. Set 393278

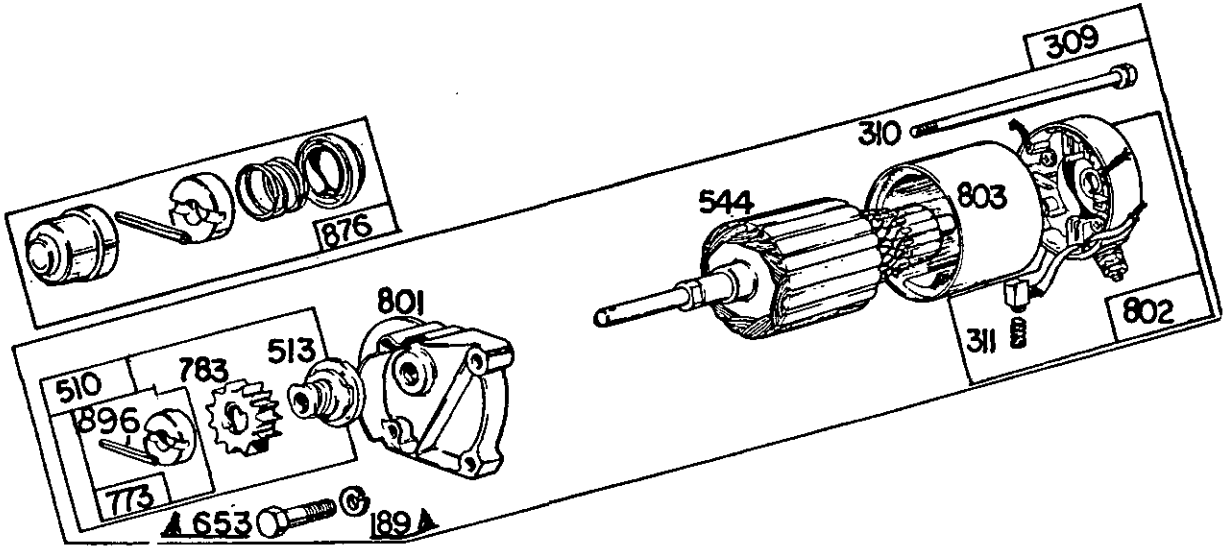
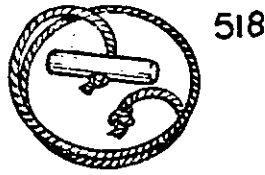
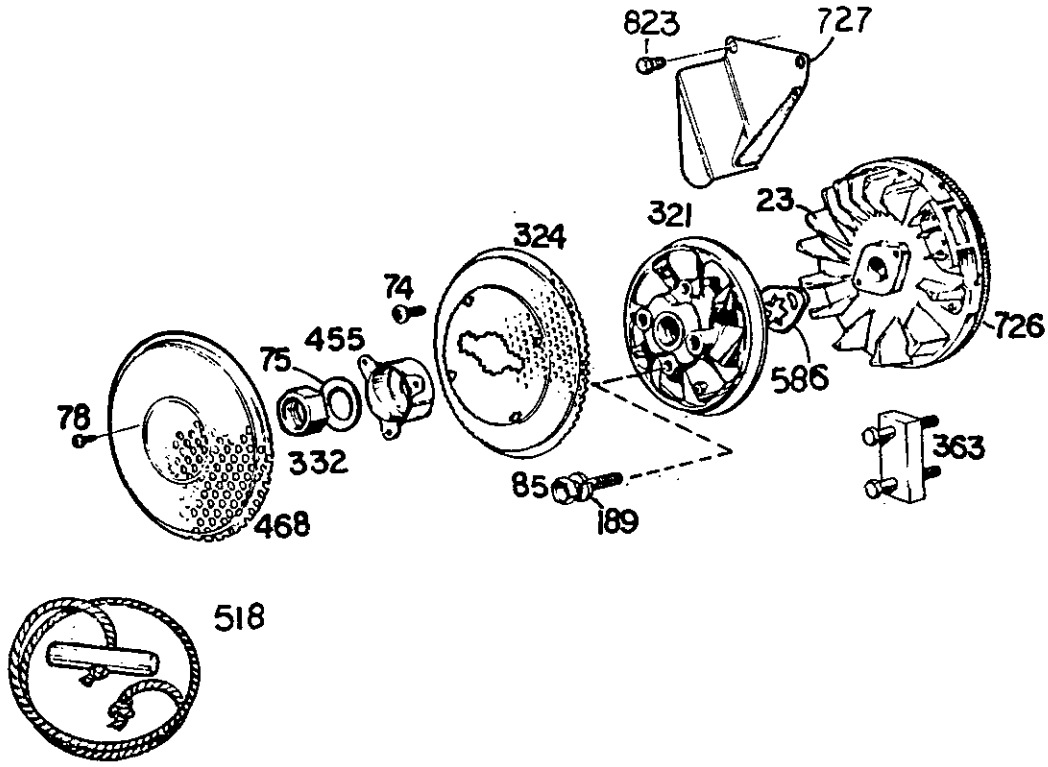
Assemblies include all parts shown in frames.

401400 to 401499



4014-3-10

Assemblies include all parts shown in frames.

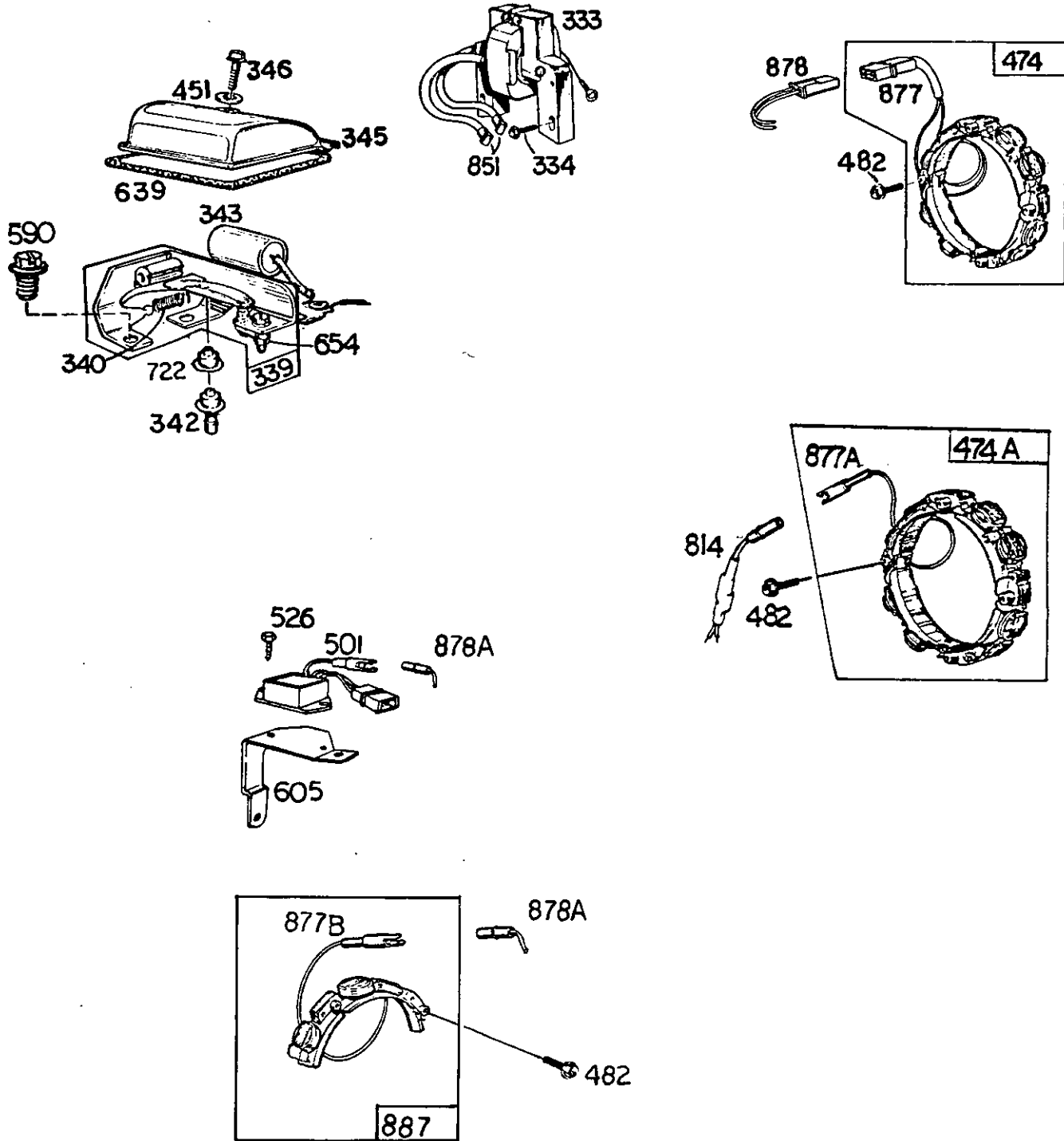


4014-4-10

▲ 189 } Not included w/stc.
653 }

Assemblies include all parts shown in frames.

401400 to 401499



4014-5-10

Assemblies include all parts shown in frames.

REF. NO.	PART NO.	DESCRIPTION	REF. NO.	PART NO.	DESCRIPTION	REF. NO.	PART NO.	DESCRIPTION
54	93208	Screw—Intake Manifold Mtg. Sem	105	†299096	Valve—Fuel Inlet			Note: 261487 Spring— Governed Idle
74	93808	Screw—Sem	107	394352	Body—Lower Carb. (Used after Code No. 79091712)			(Used before Code No. 79091812)
75	222511	Washer—Spring			Note: 393286 Body—Lower Carburetor			261578 Spring— Governed Idle
78	93805	Screw—Sem			(Used before Code No. 79091812)			Used on type No. 0152.
81	222263	Lock—Muffler Screw	108	222010	Valve—Choke	216	261511	Rod—Manual Choke
85	92674	Screw—Hex. Hd.	109	392673	Shaft and Lever— Choke	219	394348	Gear—Governor (Used after Code No. 79091712)
90	394338	Carburetor Assembly (Remote Choke) (Used after Code No. 79091712)	111	26155	Spring—Choke			Note: 393273 Gear—Gov. (Used before Code No. 79091812)
	Note:	392806 Carburetor Assy. (Remote Choke) (Used before Code No. 79091812)	116	†65978	Packing—Needle Valve	220	222773	Washer—Thrust
		394368 Carburetor Assembly Used on type No. 0152.	119	93496	Screw—Hex. Hd. Sem—10/32 x 5/8"	222	222807	Bracket—Speed Control
91	393297	Body Assembly— Upper Carburetor	121	394034	Carburetor Overhaul Kit	223	222828	Lever—Speed Control
	Note:	394376 Body Assy.— Upper Carburetor Used on type No. 0152.			Note: 393301 Carburetor Overhaul Kit (Used before Code No. 79031900)	223A	394324	Plate Assembly— Governor Control (Used after Code No. 79091712)
92	393293	Body—Upper Carb.	161	222752	Body—Air Cleaner			Note: 392933 Plate Assy.— Governor Control (Used before Code No. 79091812)
93	231209	Bushing—Throttle Shaft	171	93715	Nut—Hex.	227	393846	Lever Assy.—Governor (Used after Code No. 79091712)
94	†292681	Valve Assembly— Carburetor Idle	186	67218	Elbow—Connector			Note: 392943 Lever Assy.— Governor (Used before Code No. 79091812)
95	93499	Screw—Throttle and Choke Valve Mtg. Sem	189	90366	Lockwasher	229	222289	Washer
96	222433	Valve—Throttle	201	261444	Link—Governor	230	93852	Washer—Gov. Crank
97	392672	Shaft and Lever— Throttle	202	261531	Link—Speed Control (Used after Code No. 79091712)	230A	220863	Washer—Gov. Crank (inside)
	Note:	393469 Shaft and Lever—Throttle Used on type No. 0152.			Note: 261460 Link—Speed Control (Used before Code No. 79091812)	240	295984	Filter Assy.—Fuel
98	91920	Screw—Machine, Fil. Hd.—8-32 x 5/8"	208	231191	Rod—Control Uses: 21772 Nut—Control Rod 261577 Spring—Control Rod Used on type No. 0152.	240A	394358	Filter—Fuel (In Fuel Pipe)
99	26157	Spring—Throttle Adjustment	209	261446	Spring—Governor	241	296005	Cover Assy.—Fuel
102	†*271008	Gasket—Carburetor Body	209A	261563	Spring—Governed Idle (Used after Code No. 79091712)	242	295913	Valve—Fuel Shut-off
103	298514	Float—Carburetor				243	22547	Screen—Fuel Filter
104	†230896	Pin—Float Hinge				244	230318	Connector—Fuel Pipe
						245	68477	Gasket—Fuel Filter Bowl
						246	298683	Bowl—Fuel Filter

* Included in Gasket Set—
Part No. 393278.

† Included in Carburetor Overhaul
Kit—Part No. 394034.

REF. NO.	PART NO.	DESCRIPTION	REF. NO.	PART NO.	DESCRIPTION	REF. NO.	PART NO.	DESCRIPTION
616	394396	Crank—Governor (Used after Code No. 79091712)	676A	222902	Deflector—Muffler (Louvered Outlet)	864A	392196	Adaptor Assy. — Muffler
	Note:	393309 Crank—Gov. (Used before Code No. 79091812)	681	† 394033	Valve Assy. —Needle	864B	393483	Liner Assy. —Exhaust Port
634	† 271013	Washer (Choke Shaft)	722	280222	Seal—Plunger	865-1	392991	Cover Assy. —Air Guide (Cyl. # 1)
634A	271316	Foam Seal—Governor Shaft	725	222981	Shield—Heat	865-2	392992	Cover Assy. —Air Guide (Cyl. # 2)
635	66538	Elbow—Spark Plug	726	391362	Gear—Flywheel Ring (Includes Mounting Parts)	866	393025	Rear Insert Assy. (Air Guide)
639	* 271039	Gasket—Breaker Box	727	222987	Guard—Ring Gear	867	222775	Frame—Air Guide
642	222753	Cover—Air Cleaner	741	261363	Gear—Timing	868	393279	Seal Assy. and Retainer
643	222835	Cartridge Plate—Air Cleaner	773	391462	Retainer & Pin Assembly	869	211661	Seat—Intake Valve (Standard)
653	91162	Screw—Hex. Hd. — 5/16-18 x 1-1/2"	783	280104	Gear—Starter	870	210940	Seat—Exhaust Valve (Standard)
654	230783	Nut—Contact Point Adjusting Screw	801	393009	Drive End Cap Assembly—Starter	871		Guide—Exhaust Valve 231218 or 230655 See Repair Manual
657	93496	Screw—Sem	802	393019	Commutator End Cap Assembly—Starter	876	393254	Kit—Pinion Spring
664	93343	Screw—Sem	803	392744	Housing Assembly	877	393456	Diode and Connector Assembly (Dual Circuit)
673	93705	Screw—Hex. Hd. — # 8/32 x 3/8	814	392606	Wire Assembly— Alternator (Tri-Circuit)	877A	393537	Connector Assy. (Tri-Circuit)
676	393761	Deflector—Muffler (Side Outlet) For Spark Arrestor Assy. use No. 392390 on type Nos. 0134, 0137, 0142, 0147, 0150, 0158, 0159.	823	93535	Screw—Sem	877B	393814	Diode and Connector Assembly
	Note:	For Spark Arrestor Assy. Use No. 392193 on type No. 0132. 222292 Deflector— Muffler (Side Outlet) Used on type Nos. 0011, 0013, 0020, 0021, 0022, 0129, 0146, 0161.	842	270933	Seal—Oil Filler Cap	878	393362	Alternator Harness Assembly
			847	393031	Dipstick and Tube Assembly	878A	393422	Alternator Harness Assy.
			851	221798	Terminal—Ignition Cable	883	270917	Gasket—Exhaust
			858	♦ 270989	Diaphragm—Damping	883A	271174	Gasket—Exhaust
			859	♦ 271025	Gasket—Carb. Pump Spring (2)	887	391529	Stator Assembly— Alternator (D. C.)
			860	♦ 261358	Repair Kit—Pump	896	93754	Roll Pin
			861	393397	Mounting Strap Assy. — Air Cleaner			
			862	392643	Bracket—Muffler			
			863	222776	Connector—Muffler			
			864	231162				

* Included in Gasket Set—
Part No. 393278.

† Included in Carburetor Overhaul
Kit—Part No. 394034.

♦ Included in Carburetor Overhaul Kit—
Part No. 394034 and Pump Repair
Kit—Part No. 393397.

