

402400 to 402499

Illustrated Parts List Industrial/Commercial Model Series 402400 to 402499

TYPE NUMBERS

1106, 1107, 1115,
1116, 1126,
1200 through 1507,
4009, 4010, 4012,
4015, 4016, 4020,
4021, 4026, 7020.

TO FIND

THE CORRECT NUMBER OF THE PART YOU NEED: FOLLOW THE INSTRUCTIONS BELOW

- A. Refer to Engine Model, Type and Code Number that is stamped on the blower housing of engine. Engine type numbers such as 0123 01 are listed only as 0123 in most instances. The two digits (01 or 02, etc.) to the right of the space may be required for more accurate parts identification in some instances. Select the Illustrated Parts List covering the correct Model Series and Type Number.
- B. Refer to the Illustrations and compare the original part with Illustration. The number next to the illustration is the Reference Number. Assemblies include all parts shown in frames. All parts shown in assembly frames having individual reference numbers can be purchased separately.
- C. After the Reference Number has been identified, refer to the Numerical text, where Reference and Primary Part Number are listed. **THE PRIMARY PART IS USED ON ALL TYPE NUMBERS EXCEPT THOSE TYPE NUMBERS UNDER "NOTE."**
- D. If a "Note" appears below the Primary Part Number, it means that this part differs from the Primary Part for certain types. If your Type number is listed under "Note," order the part referred to at the "Note."
- E. If your Engine Type Number does not appear after any part number listed under "Note," use the Primary Part Number.
- F. For Engine Type Numbers not covered by this book, check other Parts Lists having the same engine model or contact your source of supply.

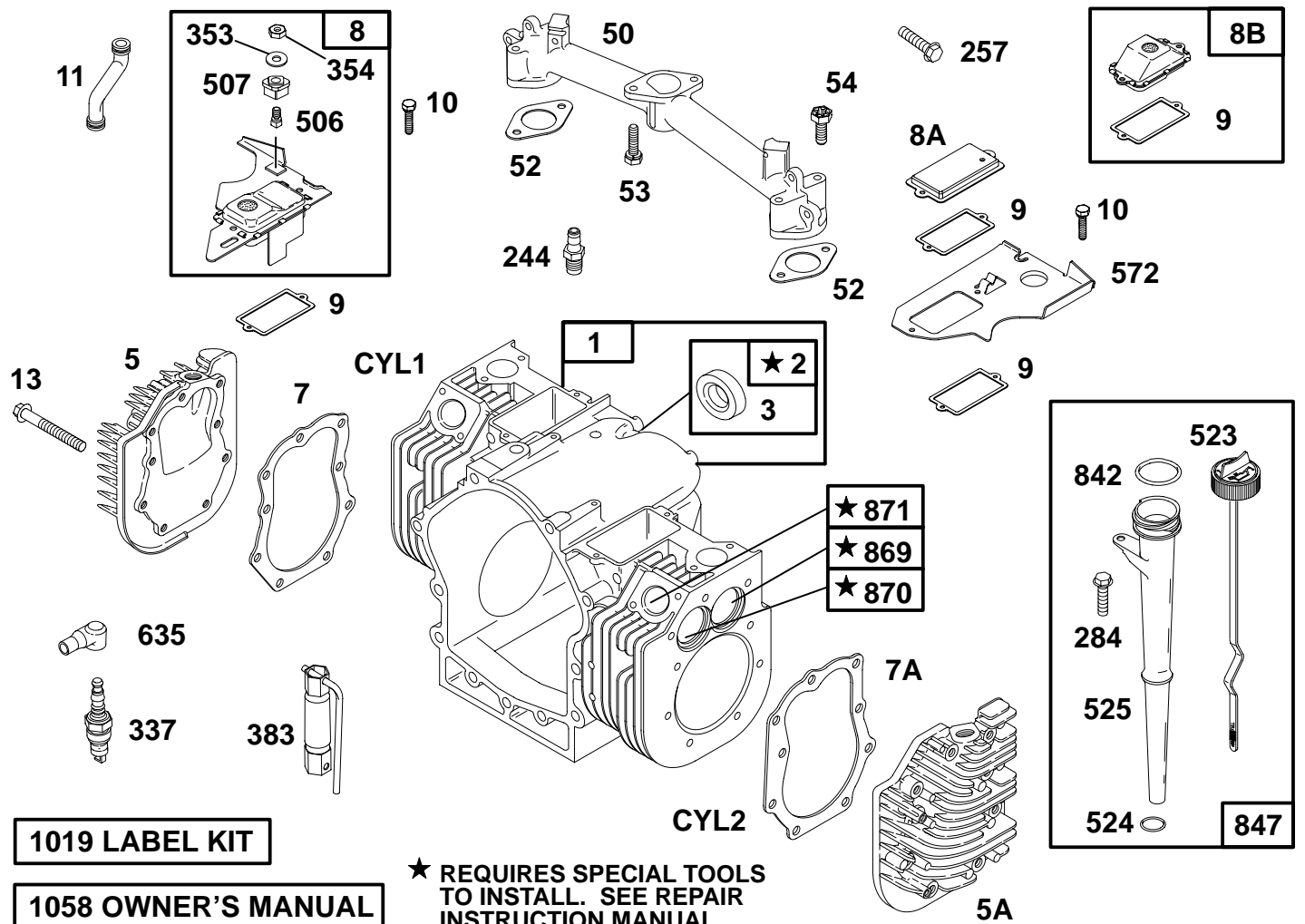
PRINTED IN U.S.A.

COPYRIGHT©

BRIGGS & STRATTON

®

402400 to 402499



1019 LABEL KIT

1058 OWNER'S MANUAL

★ REQUIRES SPECIAL TOOLS TO INSTALL. SEE REPAIR INSTRUCTION MANUAL.

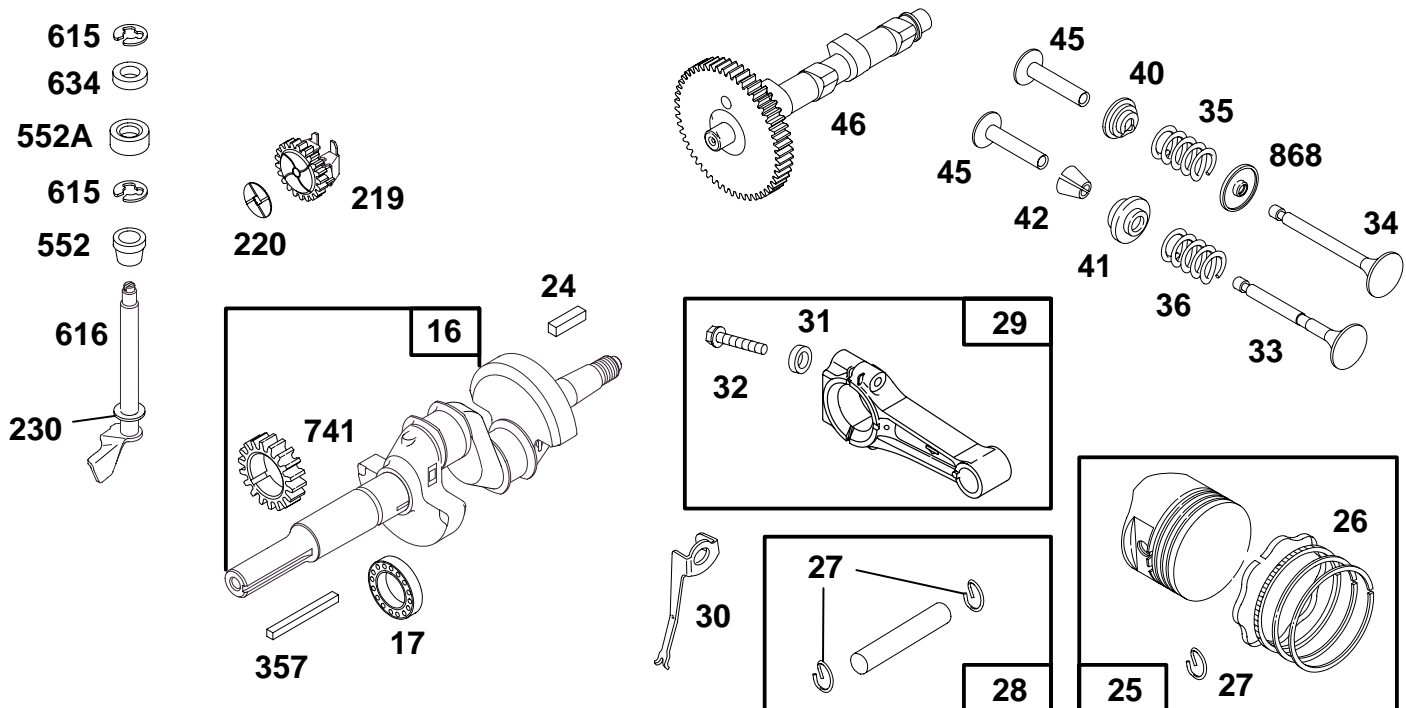
REF. NO.	PART NO.	DESCRIPTION	REF. NO.	PART NO.	DESCRIPTION	REF. NO.	PART NO.	DESCRIPTION	
1	497075	Cylinder Assembly	50	213288	Manifold-Intake	524	★68838	Seal-Fill Tube	
2		Bushing See Last Pages.	52	◆★270884	Gasket-Intake	525	280220	Tube-Oil Fill	
3	★391086	Seal-Oil	53	94881	Screw-Hex.	572		Guide-Air See Last Pages.	
5	493457	Head-Cylinder (#1)	54	94765	Screw-Torx® Hex.	635	66538	Boot-Spark Plug	
5A	493458	Head-Cylinder (#2)	244	230318	Connector-Fuel Line (Fuel Pump)	842	★271170	Seal-Cap	
7	◆★271867	Gasket-Cyl. Head (#1)			Note	847	398990	Tube Assy.-Oil	
7A	◆★271868	Gasket-Cyl. Head (#2)			91488	261463	Seat-Valve (Intake Valve)		
8	393243	Breather Assy. (#1)			Used on Type No(s). 1218.	870	213316	Seat-Valve (Exhaust Valve)	
8A	222892	Cover-Breather (#2) (Used After Code Date 91081800).	257	93897	Screw-Slotted Hex.	871	261961	Guide-Valve (Exhaust)	
8B	495756	Breather Assy. (#2) (Used Before Code Date 91081900).	284	93886	Screw-Shoulder			Note	
9	◆★27803	Gasket-Breather	337	802592	Plug-Spark			231218	Guide-Valve (Intake)
10	94830	Screw-Hex.	353	67072	Washer	1019	491261	Label Kit	
11	280819	Tube-Breather	354	90576	Nut-Hex.	1058	272111	Owner's Manual	
13	94565	Screw-Hex.	383	89838	Wrench-Spark Plug				
			506	231174	Terminal				
			507	280180	Insulator				
			523	398924	Cap-Oil Fill				

★ Included in Gasket Set-Part No. 491856.

◆ Included in Valve Overhaul Kit-Part No. 498047.

● Included in Carburetor Kit-Part No. 491539.

■ Included in Pump Repair Kit-Part No. 393397.



REF. NO.	PART NO.	DESCRIPTION	REF. NO.	PART NO.	DESCRIPTION	REF. NO.	PART NO.	DESCRIPTION
16		Crankshaft See Last Pages.			492667 Rod-Conn. Used on Model Series 402442, 402445, 402447.	34	261528	Valve-Intake
17	393741	Bearing-Ball (P.T.O. Side)			492911 Rod-Conn. (.020" Undersize) Used on Model Series 402442, 402445, 402447.	35	65906	Spring-Valve (Intake Valve)
24	222698	Key-Flywheel			Note _____	36	26828	Spring-Valve (Exhaust Valve)
25	394955	Piston Assy. (Standard)			30 222480 Dipper-Connecting Rod	40	221596	Retainer-Valve (Intake Valve)
		394956 Piston Assy. (.010" O.S.)			31 220863 Washer-Spacer (Used Before Code Date 92090300).	41	292260	Retainer-Valve (Exhaust Valve)
		394957 Piston Assy. (.020" O.S.)			32 94671 Screw-Connecting (Used After Code Date 92090300).	42	93630	Keeper-Valve (Quantity of 2)
		394958 Piston Assy. (.030" O.S.)			Note _____	45	261368	Tappet-Valve
26	394959	Ring Set (Standard)			33 390420 Valve-Exhaust (Includes Ref. 42)	46	213520	Gear-Cam
		394960 Ring Set (.010" O.S.)			Note _____	219	394348	Gear-Governor 491663 Gear-Gov. Used on Type No(s). 1208, 1209, 1214, 1219, 4009.
		394961 Ring Set (.020" O.S.)			27 92909 Screw-Hex. (Used Before Code Date 92090400).	220	222773	Washer-Thrust
		394962 Ring Set (.030" O.S.)			28 299691 Pin-Piston (Standard)	230	223882	Washer
27	260924	Lock-Piston Pin			29 393270 Rod-Connecting (Standard)	357	91540	Key-Drive Pulley
28	299691	Pin-Piston (Standard)			393714 Rod-Conn. (.020" Undersize)	552	262332	Bushing-Crank (Lower)
		391286 Pin-Piston (.005" O.S.)			Note _____	552A	262331	Bushing-Crank (Upper)
29	393270	Rod-Connecting (Standard)			390419 Valve-Exhaust Used on Type No(s). 1501, 1502, 1505, 1506, 1507, 4020, 4021, 7020.	615	94296	Retainer
		393714 Rod-Conn. (.020" Undersize)				616	491530	Crank-Governor
						634	491287	Seal
						741	262694	Gear-Timing
						868	393606	Seal-Valve

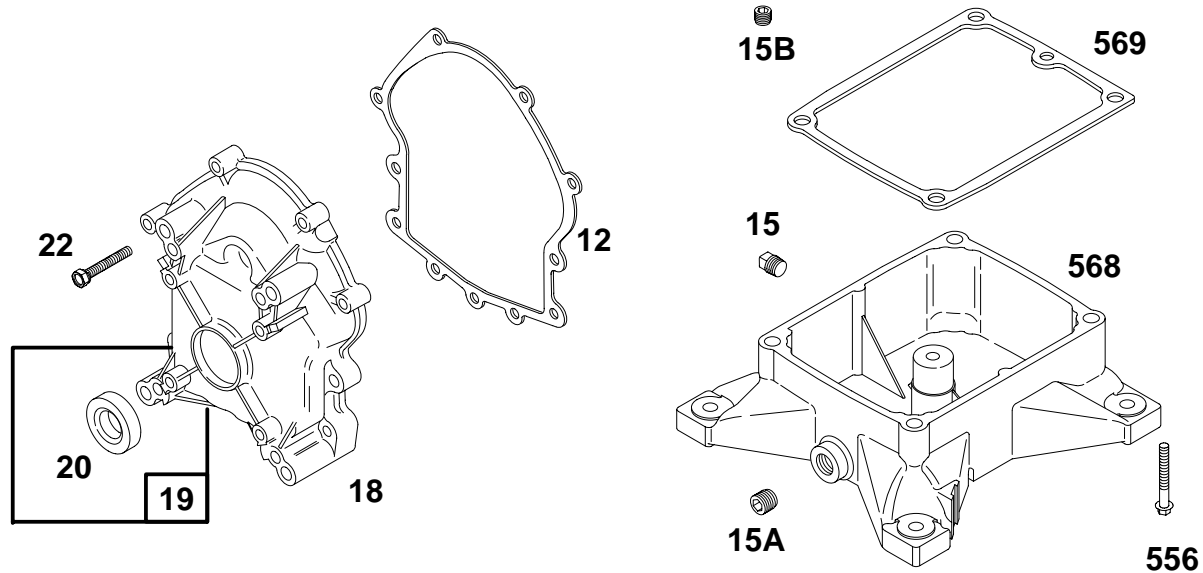
★ Included in Gasket Set-Part No. 491856.

◆ Included in Valve Overhaul Kit-Part No. 498047.

● Included in Carburetor Kit-Part No. 491539.

■ Included in Pump Repair Kit-Part No. 393397.

402400 to 402499

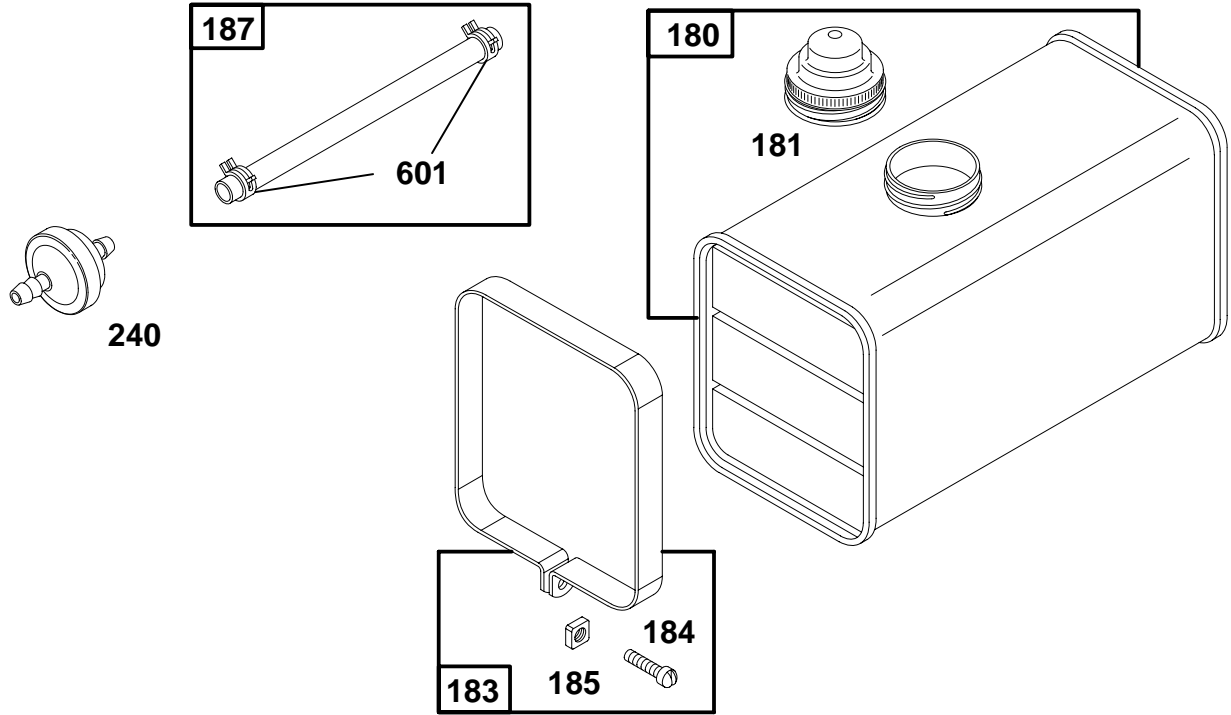


REF. NO.	PART NO.	DESCRIPTION	REF. NO.	PART NO.	DESCRIPTION	REF. NO.	PART NO.	DESCRIPTION
12	★272061	Gasket-Crankcase (0.015" Thick)		394535	Cover-Crankcase (Ball Bearing) Used on Type No(s). 1106, 1107, 1205, 1206, 1207, 1213, 1217, 1221, 1226, 4012.		493223	Cover-Crankcase (Plain Bearing) Used on Type No(s). 1210, 1223.
	★272127	Gasket-Crankcase (.005" Thick)		491711	Cover-Crankcase (Plain Bearing) Used on Type No(s). 1201, 1203, 1214, 1218, 1225, 4009, 4026.	19	491718	Bushing ——— Note —— 495360 Bushing (Used Before Code Date 89073100). Used on Model Series 402442, 402445, and 402447.
	——— Note ——			491810	Cover-Crankcase (Plain Bearing) Used on Type No(s). 1115, 1116, 1126, 1216, 1219, 1220, 1224, 4010, 4015, 4016.	20	★291675	Seal-Oil
15	94239	Plug-Oil Drain		492265	Cover-Crankcase (Plain Bearing) Used on Type No(s). 1208.	22	93847	Screw-Hex. ——— Note —— 94096 Stud-Hex. Drive Used on Type No(s). 1206, 1208, 1221.
15A	93448	Plug-Oil Drain				556	94725	Screw-Hex.
15B	94497	Plug-Pipe				568	490918	Base-Engine ——— Note —— 491717 Base-Engine Used on Model Series 402442, 402445, and 402447.
18	394309	Cover-Crankcase (Ball Brg.) ——— Note —— 394420 Cover-Crankcase (Plain Bearing) Used on Type No(s). 1501, 1502, 1505, 1506, 1507, 4020, 4021, 7020.				569	★272062	Gasket-Base 491717 Base-Engine

- ★ Included in Gasket Set-Part No. 491856.
- ◆ Included in Valve Overhaul Kit-Part No. 498047.

- Included in Carburetor Kit-Part No. 491539.
- Included in Pump Repair Kit-Part No. 393397.

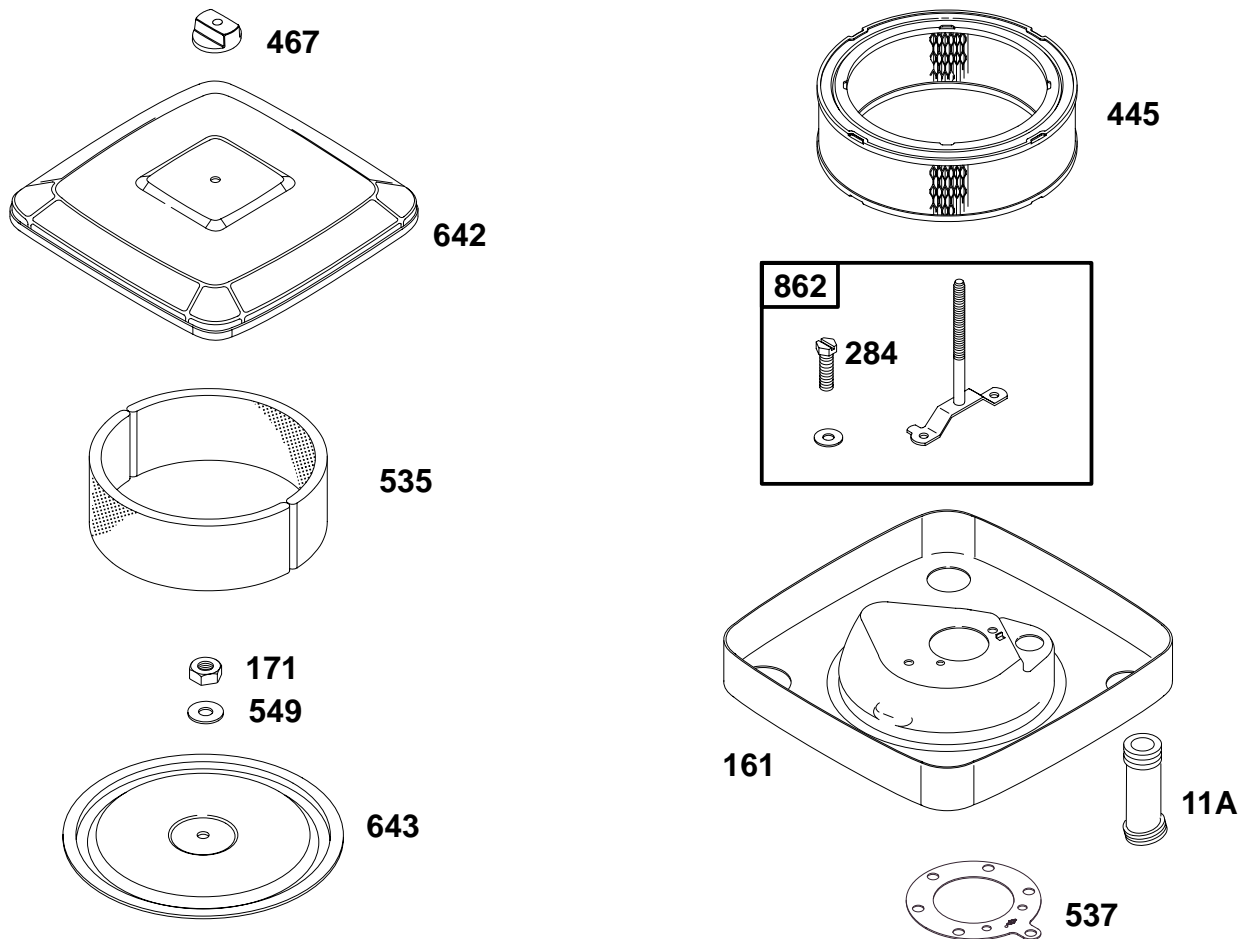
402400 to 402499



REF. NO.	PART NO.	DESCRIPTION	REF. NO.	PART NO.	DESCRIPTION	REF. NO.	PART NO.	DESCRIPTION
180	292415	Tank-Fuel	187	299146	Line-Fuel (28" Cut to Required Length)	240	394358	Filter-Fuel (In Fuel Line)
181	392305	Cap-Fuel Tank		393815	Line-Fuel (11" Cut to Required Length)	601	93053	Clamp-Hose
183	291490	Strap-Fuel Tank						
184	91257	Screw-Slotted						
185	90970	Nut-Square						

- ★ Included in Gasket Set-Part No. 491856.
- ◆ Included in Valve Overhaul Kit-Part No. 498047.

- Included in Carburetor Kit-Part No. 491539.
- Included in Pump Repair Kit-Part No. 393397.



REF. NO.	PART NO.	DESCRIPTION	REF. NO.	PART NO.	DESCRIPTION	REF. NO.	PART NO.	DESCRIPTION
11A	280198	Tube-Intake			————— Note —————	643	222835	Retainer-Air Filter
161	224579	Base-Air Cleaner (Used After Code Date 91081800).			93893 Screw-Slotted Hex. (Used Before Code Date 92021700).	862	495077	Strap-Cleaner Mounting (Used After Code Date 92021600).
		————— Note —————	445	394018	Filter-Air			————— Note —————
		222752 Base-Air Cleaner (Used Before Code Date 91081900).	467	493903	Knob (Air Cleaner)			392643 Strap-Cleaner Mounting (Used Before Code Date 92021700).
171	93715	Nut-Hex.	535	272490	Filter-Air			
284	94264	Screw-Slotted Hex. (Used After Code Date 92021600).	537	★●271411	Gasket-Air Cleaner			
			549	271180	Washer			
			642	223001	Cover-Air Cleaner			

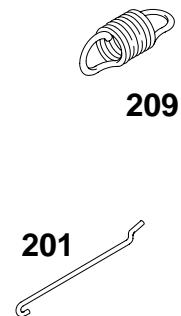
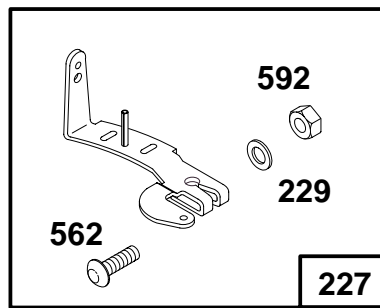
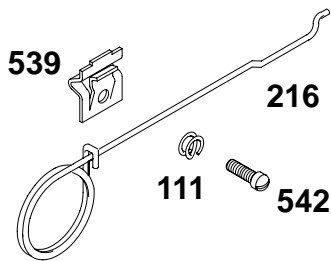
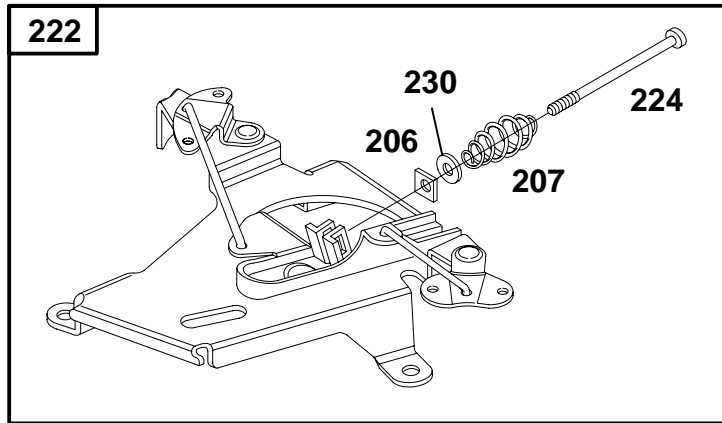
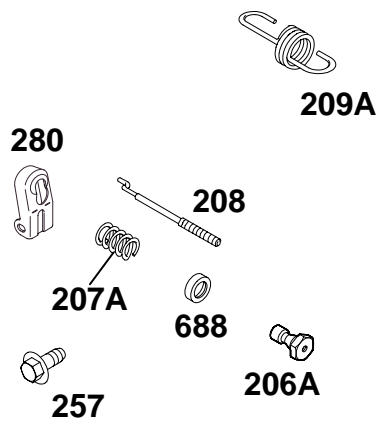
★ Included in Gasket Set-Part No. 491856.

◆ Included in Valve Overhaul Kit-Part No. 498047.

● Included in Carburetor Kit-Part No. 491539.

■ Included in Pump Repair Kit-Part No. 393397.

402400 to 402499



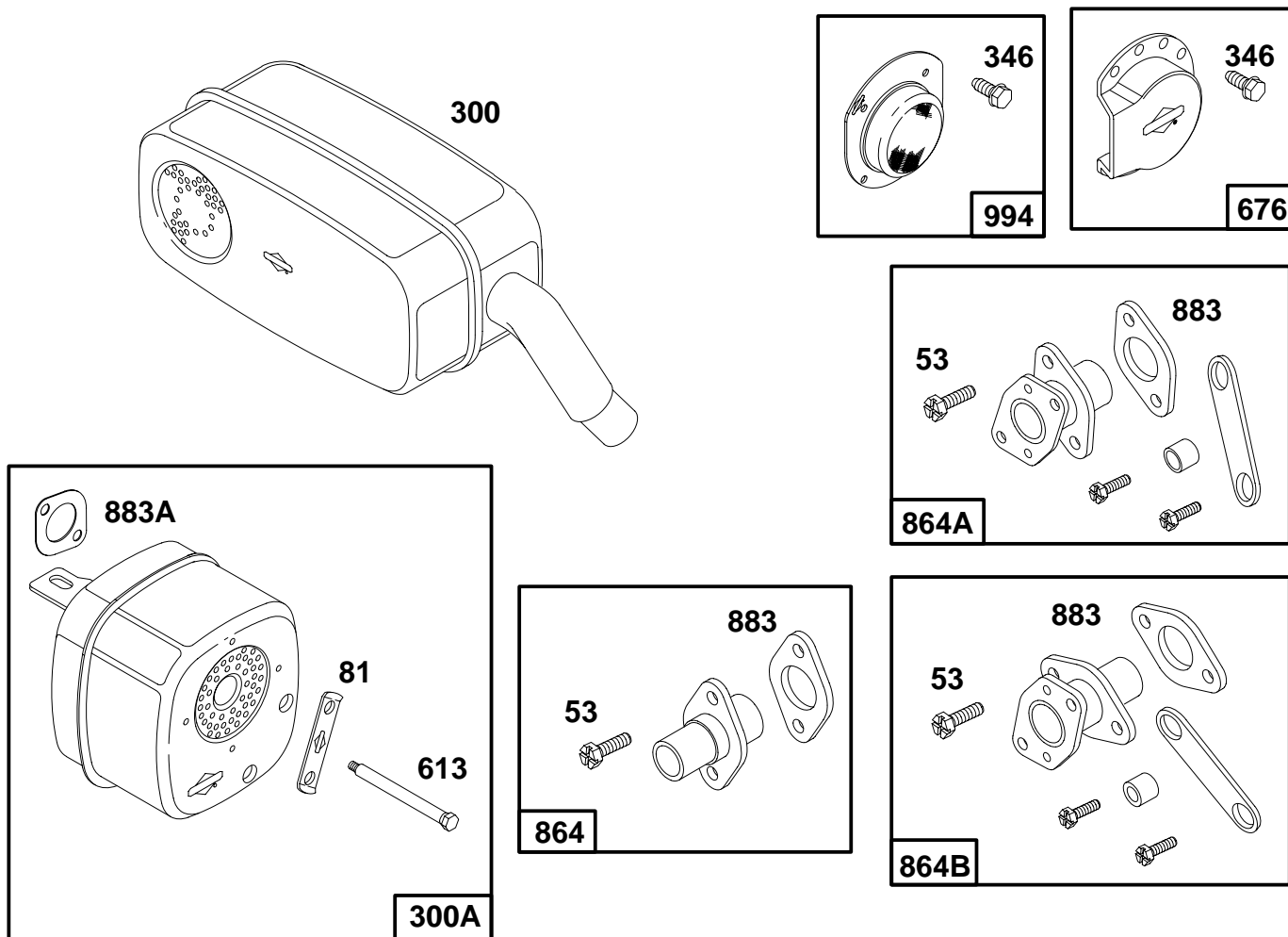
REF. NO.	PART NO.	DESCRIPTION	REF. NO.	PART NO.	DESCRIPTION	REF. NO.	PART NO.	DESCRIPTION	
111	26155	Spring—Choke			262353	Spring—Gov.	230	223882	Washer
201	262333	Link			Used on Type No(s).	257	93897	Screw—Slotted Hex.	
206	94298	Nut			1216.	258	93949	Screw—Hex.	
206A	231542	Nut—Speed Control			262356	Spring—Gov.	280	223881	Bracket—Rod
207	262337	Spring—Control Rod			Used on Type No(s).	539	221372	Clip—Control Rod	
207A	262347	Spring—Control Rod			1208, 1209, 1214,	542	90746	Screw—Slotted	
208	262636	Rod—Control			1219, 4009.	562	93853	Bolt—Carriage	
209	262351	Spring—Governor			262440	Spring—Gov.	592	92278	Nut—Hex.
		Note			Used on Type No(s).	688	224101	Cap—Spring	
		262350			Spring—Gov.				
		Used on Type No(s).			1210, 1213, 1505,				
		1507.			262441	Spring—Gov.			
		262352			Spring—Gov.				
		Used on Type No(s).			1106, 1126, 4010,				
		1107, 1115, 1116,			4026.				
		1206, 1207, 1217,			209A	261563	Spring—Governor Idle		
		1221, 1223, 1224,			216	261511	Link		
		1225, 1226, 4012,			222	491282	Bracket—Control		
		4015, 4016, 4020,			224	94297	Screw—Torx®		
		4021, 7020.			227	491298	Lever—Governor		
					229	222289	Washer		

★ Included in Gasket Set—Part No. 491856.

◆ Included in Valve Overhaul Kit—Part No. 498047.

● Included in Carburetor Kit—Part No. 491539.

■ Included in Pump Repair Kit—Part No. 393397.



REF. NO.	PART NO.	DESCRIPTION	REF. NO.	PART NO.	DESCRIPTION	REF. NO.	PART NO.	DESCRIPTION
53	94881	Screw-Hex	676	393761	Deflector-Muffler (Side Outlet)	864B	490357	Adapter-Muffler (Cylinder # 2)
81	223016	Lock-Muffler Screw	864	398349	Adapter-Muffler	883	★272250	Gasket-Exhaust
300	491307	Muffler-Exhaust	864A	490358	Adapter-Muffler (Cylinder # 1)	883A	★272293	Gasket-Exhaust
300A	399635	Muffler-Exhaust				994	392390	Arrester-Spark
346	93705	Screw-Deflector						
613	93927	Screw-Shoulder						

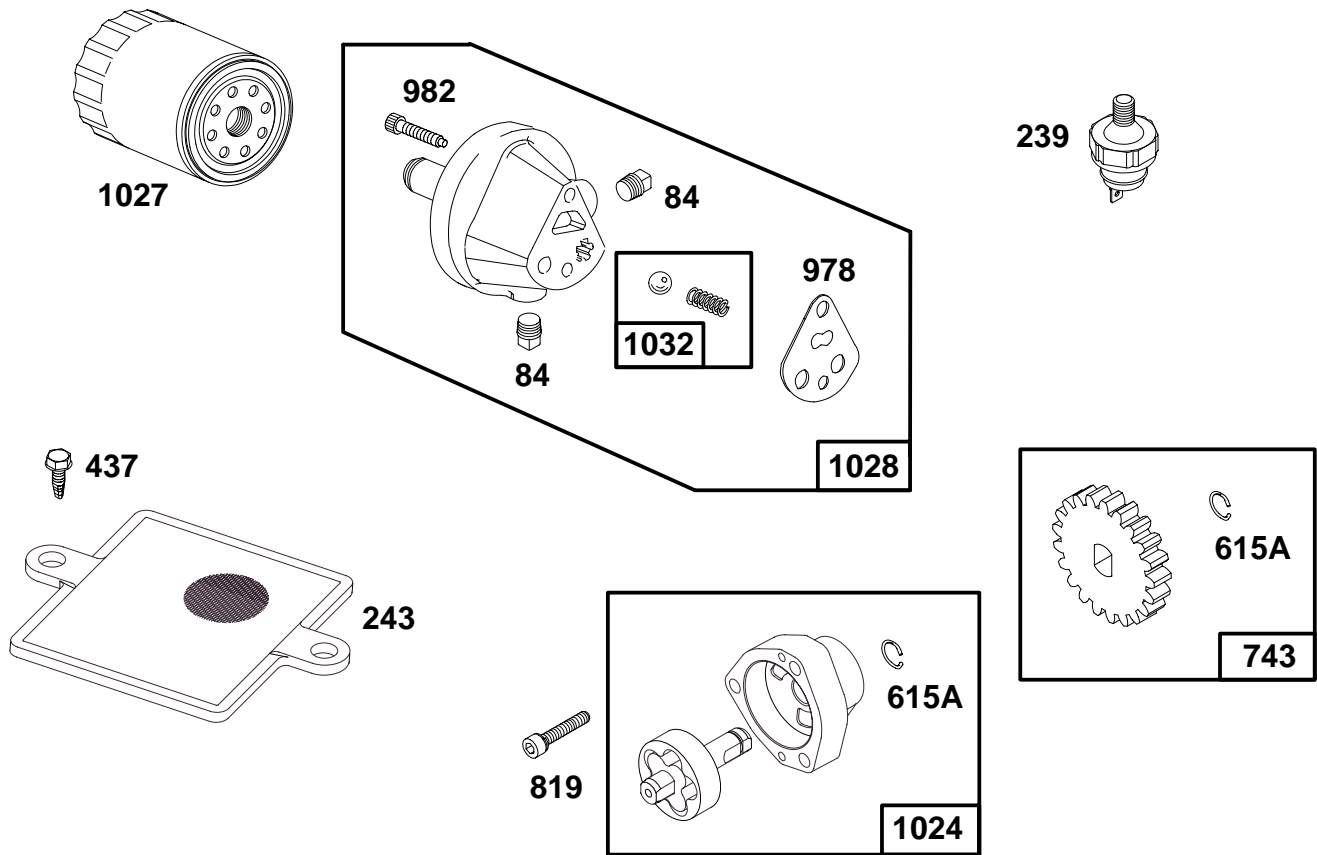
★ Included in Gasket Set-Part No. 491856.

◆ Included in Valve Overhaul Kit-Part No. 498047.

● Included in Carburetor Kit-Part No. 491539.

■ Included in Pump Repair Kit-Part No. 393397.

402400 to 402499



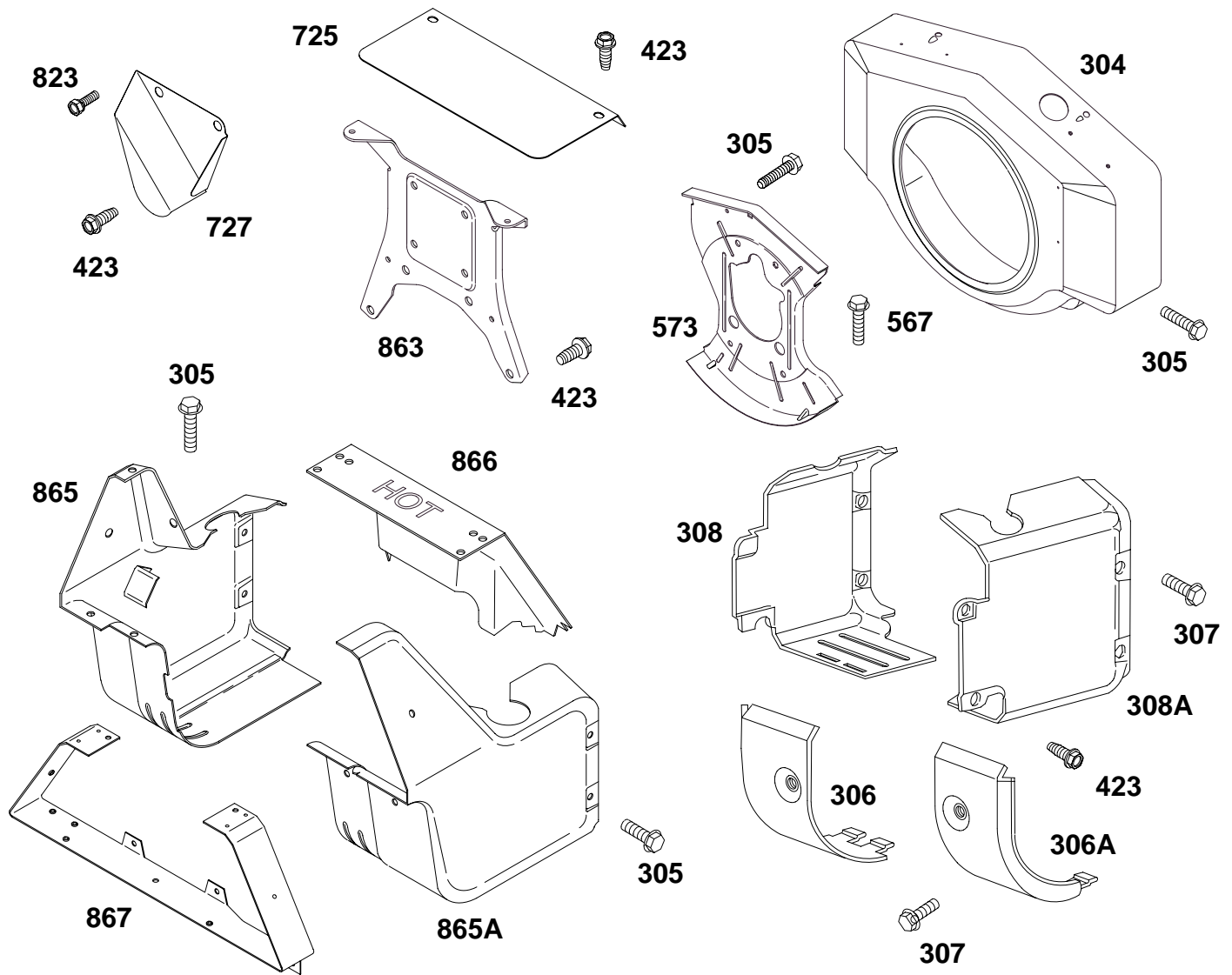
REF. NO.	PART NO.	DESCRIPTION	REF. NO.	PART NO.	DESCRIPTION	REF. NO.	PART NO.	DESCRIPTION
84	91488	Plug—Pipe	1024	491708	Pump—Oil			or
239	491657	Switch—Oil Pressure	1027	491056	Filter—Oil			492062 Filter Kit
243	491289	Screen—Oil Pump	1028	491721	Adapter—Filter			(Remote Oil) (30"
437	94386	Screw—Hex.			Note			Hose)
615A	94412	Retainer			492675 Adapter—Filter	1032	491710	Ball—Oil Pump
743	491801	Gear—Drive (Oil Pump)			(Remote)			
819	94366	Screw—Socket			Use(s):			
978	★272060	Gasket—Adapter			492061 Filter Kit			
982	94362	Screw—Socket			(Remote Oil) (18"			
					Hose)			

★ Included in Gasket Set—Part No. 491856.

◆ Included in Valve Overhaul Kit—Part No. 498047.

● Included in Carburetor Kit—Part No. 491539.

■ Included in Pump Repair Kit—Part No. 393397.

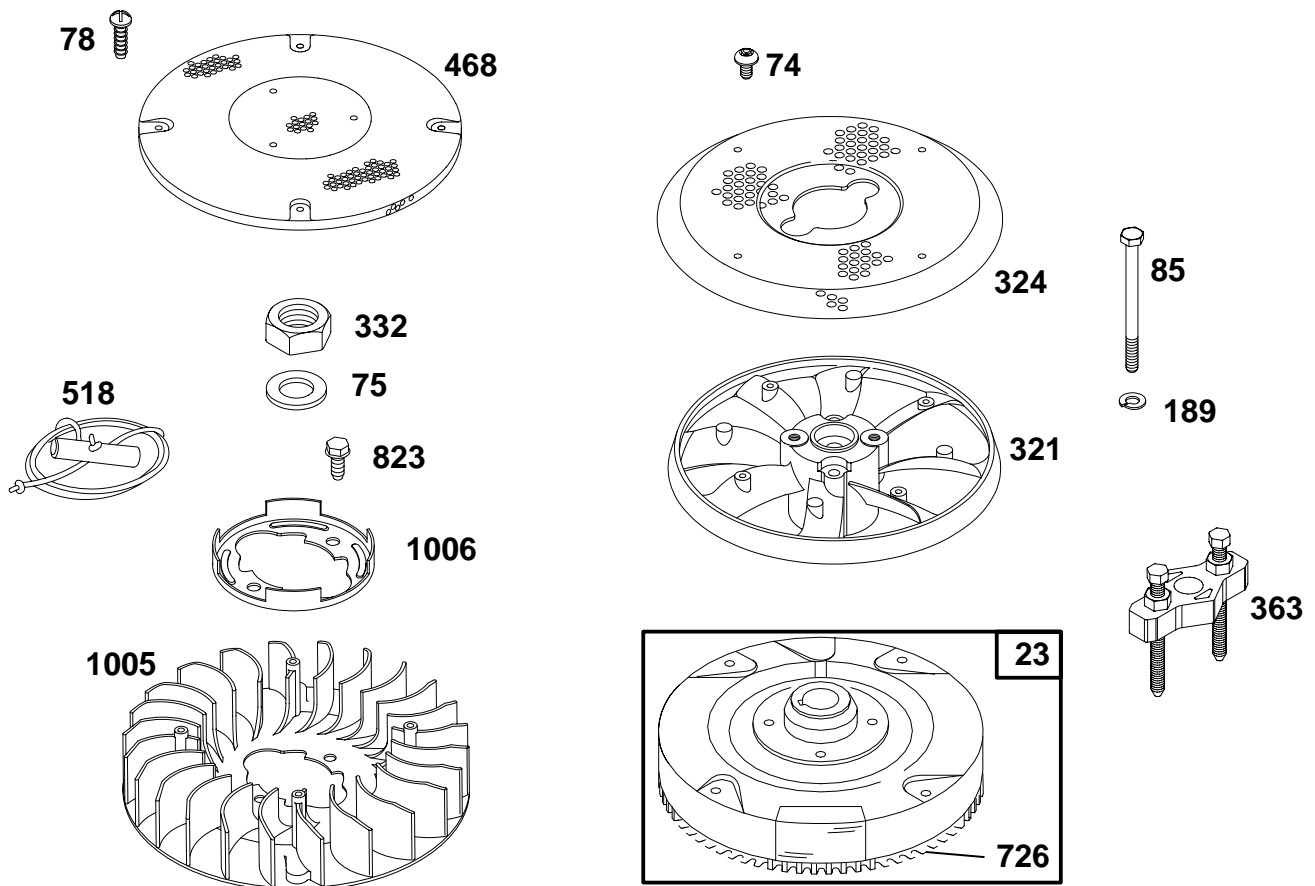


REF. NO.	PART NO.	DESCRIPTION	REF. NO.	PART NO.	DESCRIPTION	REF. NO.	PART NO.	DESCRIPTION	
304	491245	Housing-Blower			Note	725	224777	Shield-Heat	
305	94786	Screw-Hex.			93163	Screw-Hex.	727	222987	Guard-Flywheel
		94513	Screw-Hex.		(Used Before Code	823	94627	Screw-Hex.	
			(5/8" Long)		Date 91081900).	863	222776	Bracket-Muffler	
306	222846	Shield-Cylinder	308	224774	Cover-Air Guide	865	392991	Cover-Air Guide	
306A	223734	Shield-Cylinder	308A	224775	Cover-Air Guide			(Cylinder #1)	
307	94386	Screw-Hex.	423	93343	Screw-Hex.	865A	495618	Cover-Air Guide	
		(Used After Code Date	567	94811	Screw-Hex.			(Cylinder #2)	
		91081800).			(Back Plate to Cyl.)				
			573	491444	Plate-Back				

- ★ Included in Gasket Set-Part No. 491856.
- ◆ Included in Valve Overhaul Kit-Part No. 498047.

- Included in Carburetor Kit-Part No. 491539.
- Included in Pump Repair Kit-Part No. 393397.

402400 to 402499



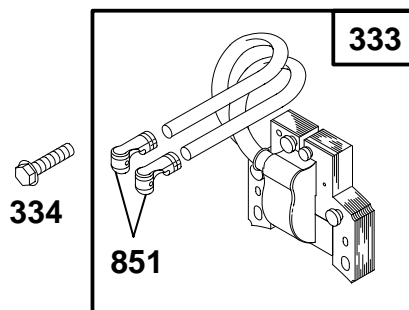
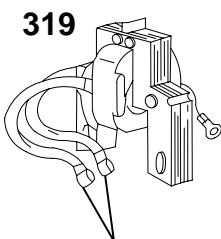
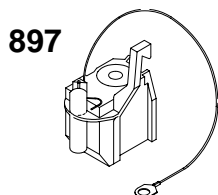
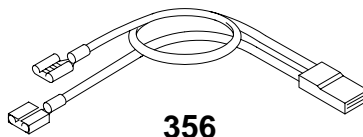
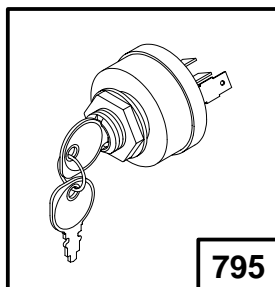
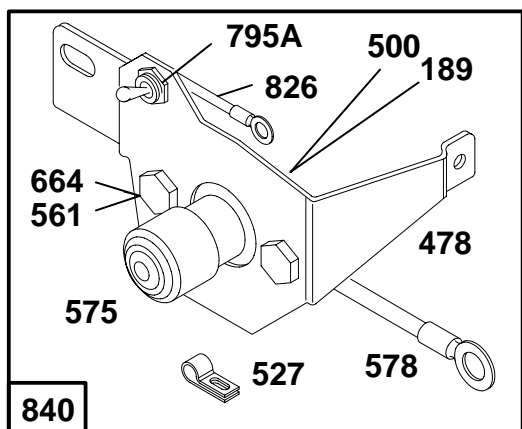
REF. NO.	PART NO.	DESCRIPTION	REF. NO.	PART NO.	DESCRIPTION	REF. NO.	PART NO.	DESCRIPTION
23	491180	Flywheel Note 491179 Flywheel Used on Type No(s). 1106, 1126, 1205, 1209, 1210, 1212, 1213, 1214, 1220, 1221, 1224, 1225, 1505, 1507, 4009, 4010, 4026.			Note 213854 Fan-Booster (Used After Code Date 93011700). 213460 Fan-Booster (Used Before Code Date 93011800). Used on Type No(s). 1210, 1211, 1213, 1217, 1223, 1226, 4012.			Note 280815 Fan-Flywheel (Used Before Code Date 93011800). Used on Type No(s). 1106, 1205, 1206, 1210, 1211, 1213, 1217, 1218, 1220, 1221, 1223, 1224, 1225, 1226, 4012.
74	93808	Screw-Phillips	324	224779	Screen-Rotating	1006	224413	Retainer-Fan
75	222511	Washer-Spring	332	230674	Nut-Hex.			Note 223726 Retainer-Fan (Used Before Code Date 93011800). Used on Type No(s). 1106, 1205, 1206, 1210, 1211, 1213, 1217, 1218, 1220, 1221, 1223, 1224, 1225, 1226, 4012.
78	94326	Screw-Torx® Hex.	363	19203	Puller-Flywheel			
85	94385	Screw-Hex.	468	224521	Screen-Rotating			
189	90366	Washer-Lock	518	69932	Rope-Starter			
321	213852	Fan-Booster (Used After Code Date 93011700). 213472 Fan-Booster (Used Before Code Date 93011800).	726	391362	Gear-Ring (Including Mtg. Parts)			
			823	94627	Screw-Hex.			
			1005	281053	Fan-Flywheel			

★ Included in Gasket Set-Part No. 491856.

◆ Included in Valve Overhaul Kit-Part No. 498047.

● Included in Carburetor Kit-Part No. 491539.

■ Included in Pump Repair Kit-Part No. 393397.



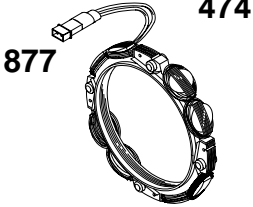
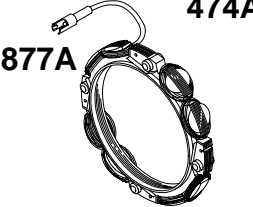

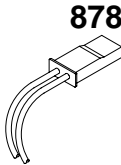
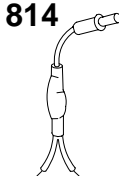


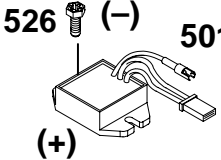
851

REF. NO.	PART NO.	DESCRIPTION	REF. NO.	PART NO.	DESCRIPTION	REF. NO.	PART NO.	DESCRIPTION
189	90366	Washer-Lock	527	220162	Clamp	826	394667	Harness-Wiring (Starter Switch To Ground Wire Terminal)
319	394988	Armature-Magneto	561	92278	Nut-Hex.	840	394583	Kit-Panel (Toggle)
333	394891	Armature-Magneto (MAGNETRON® Ignition)	575	299139	Switch-Starting		396573	Kit-Panel (Key Switch)
334	93381	Screw-Hex.	578	394518	Wire Assembly	851	221798	Terminal-Cable
353	92791	Washer-Lock	664	93415	Screw-Hex.	897	394970	MAGNETRON® Ignition Kit
354	90576	Nut-Hex.	795	493625	Switch-Stop			
356	491391	Wire-Stop	795A	392697	Switch-Stop (Toggle)			
478	223106	Panel (Toggle Switch)			Use(s):			
		Note			93888 Nut-Hex.			
		223144 Panel (Key Switch)			Note			
500	91325	Washer			392833 Switch-Stop (Key Switch)			
520	93722	Terminal			Include(s):			
					392832 Key Set			

★ Included in Gasket Set-Part No. 491856.
 ♦ Included in Valve Overhaul Kit-Part No. 498047.

● Included in Carburetor Kit-Part No. 491539.
 ■ Included in Pump Repair Kit-Part No. 393397.

402400 to 402499

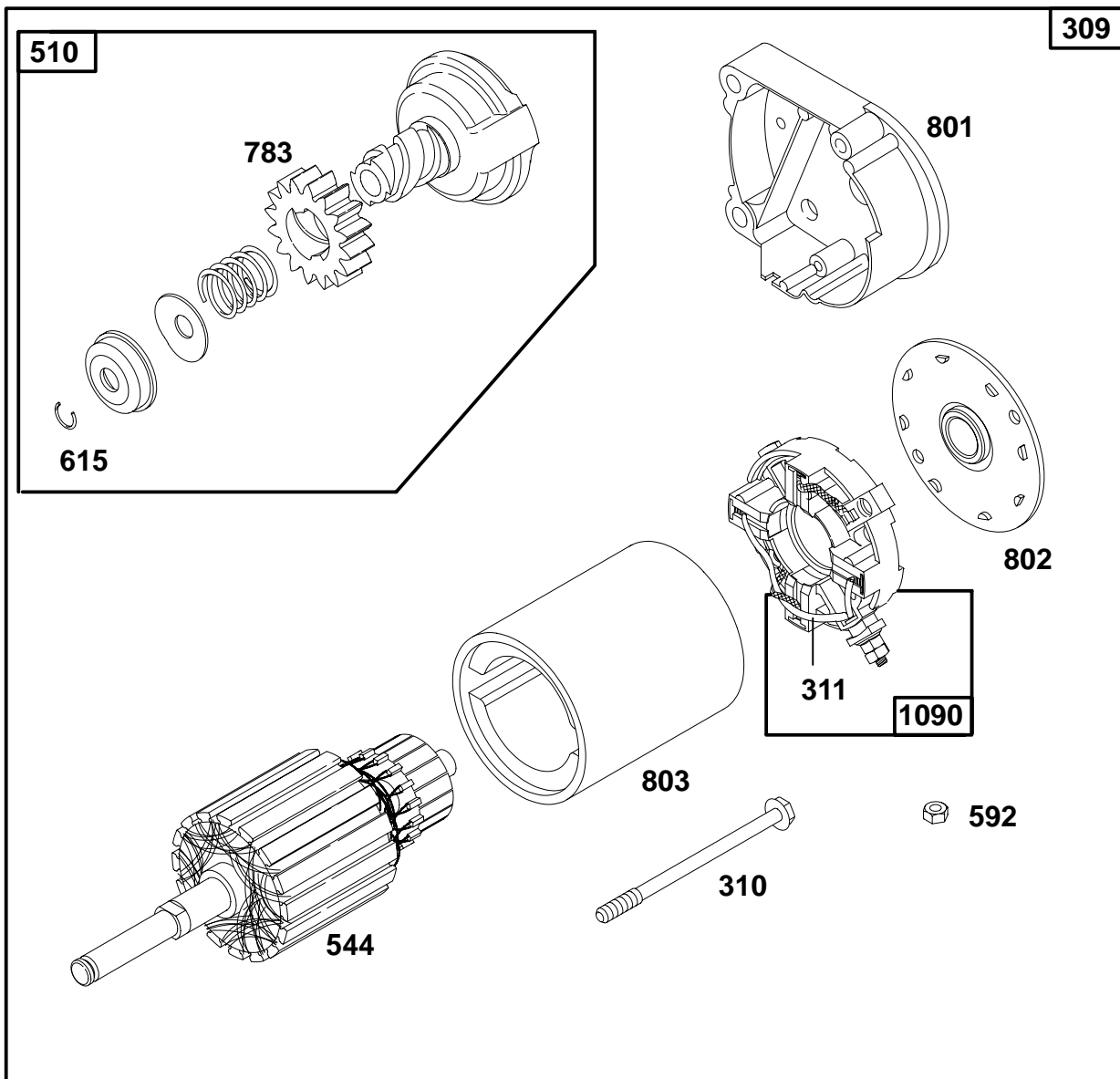
DUAL CIRCUIT	TRI-CIRCUIT	16 AMP
SEE FLYWHEEL ASSEMBLY	SEE FLYWHEEL ASSEMBLY	
 <p>474 877</p>	 <p>474A 877A</p>	 <p>474B</p>
 <p>878</p>	 <p>814</p>	 <p>878A</p>
 <p>878B</p>		 <p>526 (-) 501 (+)</p>

NOTE: ALL STATORS USE NO. 482 MOUNTING SCREW. 

REF. NO.	PART NO.	DESCRIPTION	REF. NO.	PART NO.	DESCRIPTION	REF. NO.	PART NO.	DESCRIPTION
474	393474	Alternator (Dual Circuit)	501	394890	Regulator	877A	393537	Wire-Alternator (Tri-Circuit)
474A	392595	Alternator (Tri-Circuit)	526	94729	Screw-Torx® Hex.	878	393362	Harness-Alternator
474B	393295	Alternator	814	392606	Harness-Alternator (Tri-Circuit)	878A	393422	Harness-Alternator
482	93621	Screw-Hex.	877	393456	Wire-Alternator (Dual Circuit)	878B	399916	Connector Assembly

- ★ Included in Gasket Set-Part No. 491856.
- ◆ Included in Valve Overhaul Kit-Part No. 498047.

- Included in Carburetor Kit-Part No. 491539.
- Included in Pump Repair Kit-Part No. 393397.



REF. NO.	PART NO.	DESCRIPTION	REF. NO.	PART NO.	DESCRIPTION	REF. NO.	PART NO.	DESCRIPTION
309	497596	Motor-Starter	556	93585	Screw-Hex.	801	394860	Cap-Drive
310	94003	Screw-Hex.	592	92278	Nut-Hex.	802	497607	Cap-End
311	497608	Brush Set	615	263080	Retainer	803	497604	Housing-Starter
510	497606	Drive-Starter	783	280104	Gear-Starter	1090	497605	Retainer-Brush
544	497603	Armature-Starter						

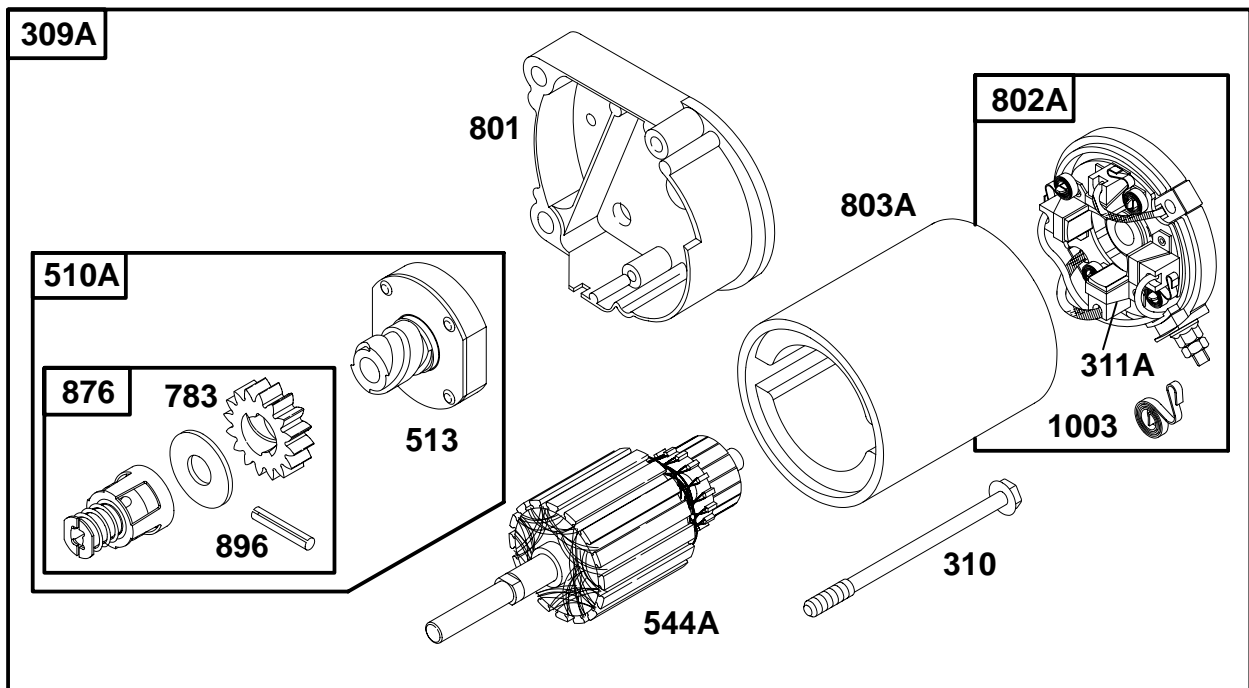
★ Included in Gasket Set-Part No. 491856.

◆ Included in Valve Overhaul Kit-Part No. 498047.

● Included in Carburetor Kit-Part No. 491539.

■ Included in Pump Repair Kit-Part No. 393397.

402400 to 402499



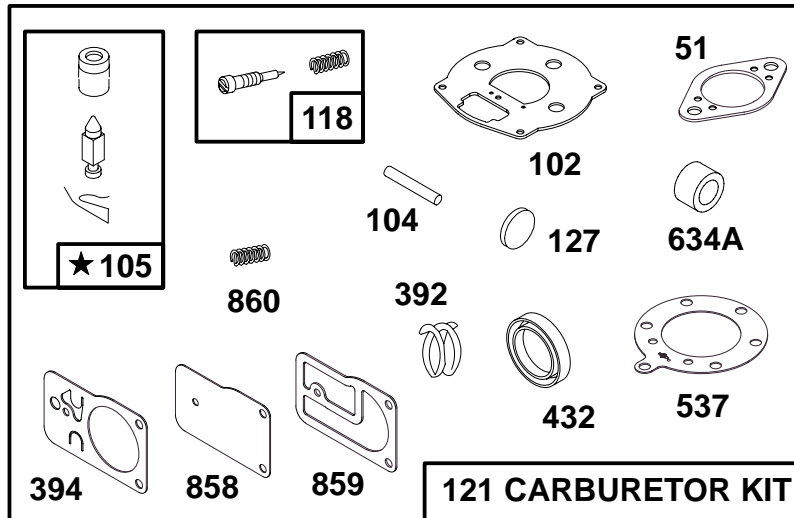
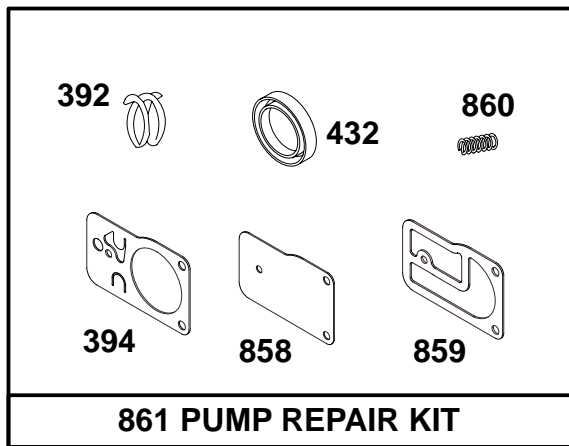
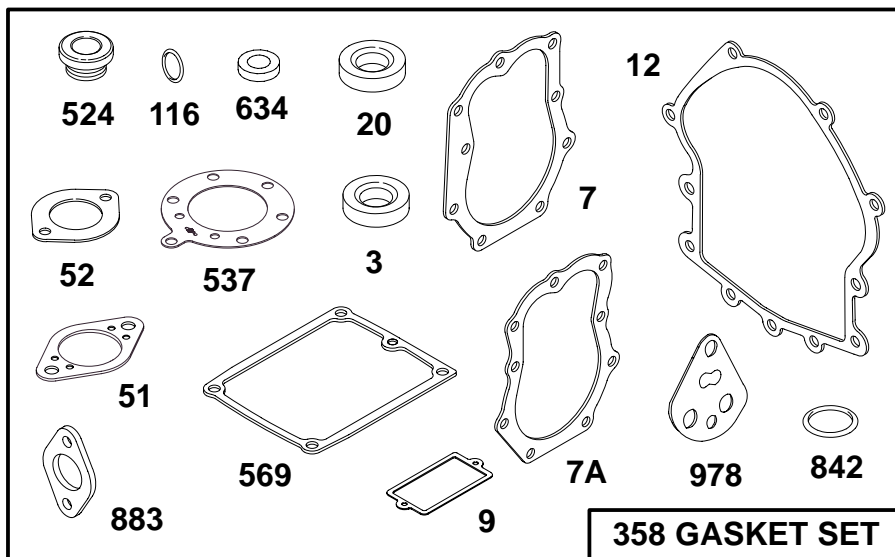
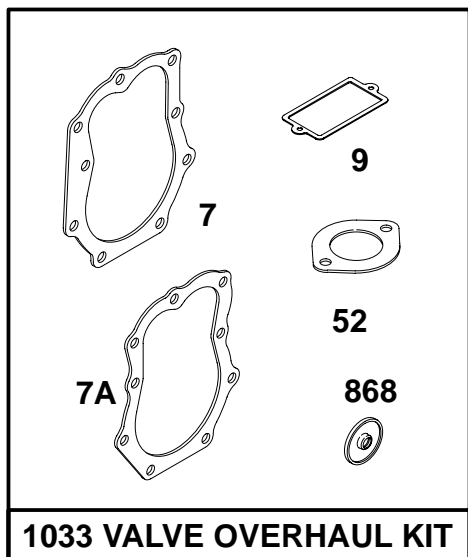
REF. NO.	PART NO.	DESCRIPTION	REF. NO.	PART NO.	DESCRIPTION	REF. NO.	PART NO.	DESCRIPTION
309A	394808	Motor-Starter (12 Volt, With 3-3/8" Housing Length) (Also For Replacing Motor With 3-15/32" Housing Length)			490311 Brush Set (For 4-1/2" Housing Length)			494988 Cap-End (For 4-3/8" Housing Length)
		495100 Motor-Starter (12 Volt, With 4-3/8" Housing Length)	510A	490421	Drive-Starter	803A	398159	Housing-Starter (For 3-5/8" Housing Length)
		399928 Motor-Starter (12 Volt, With 4-1/2" Housing Length)	513	398003	Clutch-Drive			492022 Cap-End (For 3-15/32" Housing Length)
310	94003	Screw-Hex. (For 3-5/8" Housing Length)	544A	390837	Armature-Starter (For 3-5/8" Housing Length)			398892 Housing-Starter (For 4-1/2" Housing Length)
		94169 Screw-Hex. (For 4-1/2" Housing Length)			490309 Armature-Starter (For 4-3/8" and 4-1/2" Housing Length)			494205 Housing-Starter (For 4-3/8" Housing Length)
		94004 Screw-Hex. (For 4-3/8" Housing Length)	556	93585	Screw-Hex.	876	490467	Kit-Gear
311A	395538	Brush Set (For 3-5/8" Housing Length)	783	280104	Gear	896	94288	Pin-Roll
			801	394860	Cap-Drive	1003	490316	Spring-Brush (For 4-1/2" Housing Length)
			802A	395537	Cap-End (For 3-5/8" Housing Length)			
					490310 Cap-End (For 4-1/2" Housing Length)			

★ Included in Gasket Set-Part No. 491856.

◆ Included in Valve Overhaul Kit-Part No. 498047.

● Included in Carburetor Kit-Part No. 491539.

■ Included in Pump Repair Kit-Part No. 393397.



★ REQUIRES SPECIAL TOOLS TO INSTALL. SEE REPAIR INSTRUCTION MANUAL.

REF. NO.	PART NO.	DESCRIPTION	REF. NO.	PART NO.	DESCRIPTION	REF. NO.	PART NO.	DESCRIPTION
	3	★391086 Seal—Oil		102	●271607 Gasket—Carburetor Body		569	★272062 Gasket—Base
	7	◆★271867 Gasket—Cyl. Head #1		104	●230896 Pin—Float Hinge		634	★491287 Seal—Governor Shaft
	7A	◆★271868 Gasket—Cyl. Head #2		105	●394683 Valve—Needle		634A	●271013 Washer—Foam
	9	◆★27803 Gasket—Breather		116	★280474 O-Ring		842	★271170 Seal—Cap
	12	★272061 Gasket—Crankcase (0.015" Thick)		118	●491538 Valve—Idle Adjustment		858	●270989 Diaphragm—Carburetor
		★272127 Gasket—Crankcase (.005" Thick)		121	491539 Carburetor Kit		859	●271025 Gasket—Pump
		★272128 Gasket—Crankcase (.009" Thick)		127	●223472 Plug—Welch		860	●261358 Spring—Diaphragm
	20	★291675 Seal—Oil		358	495868 Gasket Set		861	393397 Kit—Pump Repair
	51	★●271412 Gasket—Intake		392	●261395 Spring—Diaphragm		868	◆393606 Seal—Valve
	52	◆★270884 Gasket—Intake		394	●272638 Diaphragm—Carburetor		883	★272250 Gasket—Exhaust
				432	●221377 Cap—Spring		883A	★272293 Gasket—Exhaust
				524	★68838 Seal—Fill Tube		978	★272060 Gasket
				537	★●271411 Gasket—Air Cleaner		1033	498047 Kit—Valve Overhaul

★ Included in Gasket Set—Part No. 491856.
 ◆ Included in Valve Overhaul Kit—Part No. 498047.

● Included in Carburetor Kit—Part No. 491539.
 ■ Included in Pump Repair Kit—Part No. 393397.

402400 to 402499

REF. NO.	PART NO.	DESCRIPTION	REF. NO.	PART NO.	DESCRIPTION	REF. NO.	PART NO.	DESCRIPTION
2	399265	Bushing (Used After Code Date 91081800). Used on Model Series 402442, 402445. (Used After Code Date 89073000). Used on Model Series 402447. ———— Note ———— 491523 Bushing (Used Before Code Date 91081900). Used on Model Series 402415, 402417, 402431, And 402437. 495359 Bushing (Used Before Code Date 89073100). Used on Model Series 402442, 402445, And 402447.			396370 Crankshaft Used on Type No(s). 1209. 398917 Crankshaft Used on Type No(s). 1213. 492081 Crankshaft Used on Type No(s). 1208. 492227 Crankshaft Used on Type No(s). 1115, 1116, 1126, 1201, 1203, 1216, 1218, 1220, 1223, 1224, 1225, 4010, 4015, 4016, 4026. 493221 Crankshaft Used on Type No(s). 1210. 493224 Crankshaft Used on Type No(s). 1211. 493225 Crankshaft Used on Type No(s). 1214, 1219, 4009.			———— Note ———— 495009 Carburetor Used on Type No(s). 1208, 1209, 1214, 1219, 4009. 493229 Carburetor Used on Type No(s). 1218.
16	393823	Crankshaft For Timing Gear Key— Order Part No. 94196 . ———— Note ———— 392976 Crankshaft Used on Type No(s). 1501, 1502, 1505, 1506, 1507, 4020, 4021, 7020.	90	495181	Carburetor (Used After Code Date 92021600). 491429 Carburetor (Used Before Code Date 92021700).	572	224816	Guide—Air (Cyl. #2) (Used After Code Date 94041000). ———— Note ———— 224580 Guide—Air (Cyl. #2) (Used Before Code Date 94041100 and After Code Date 91081800). 222700 Guide—Air (Cyl. #2) (Used Before Code Date 91081900).

★ Included in Gasket Set—Part No. 491856.

◆ Included in Valve Overhaul Kit—Part No. 498047.

● Included in Carburetor Kit—Part No. 491539.

■ Included in Pump Repair Kit—Part No. 393397.