

402500

Illustrated Parts List

Model Series

402500

TYPE NUMBER
0224.

TABLE OF CONTENTS

Air Cleaner	5
Alternator	7
Blower Housing/Shrouds	5
Camshaft	2
Carburetor	4
Controls	6
Crankcase Cover/Sump	2
Crankshaft	2
Cylinder	2
Cylinder Head	3
Electric Starter	6
Flywheel	6
Ignition	7
Kit/Gasket Sets	4
Lubrication	2
Pistons	2
Valves	3

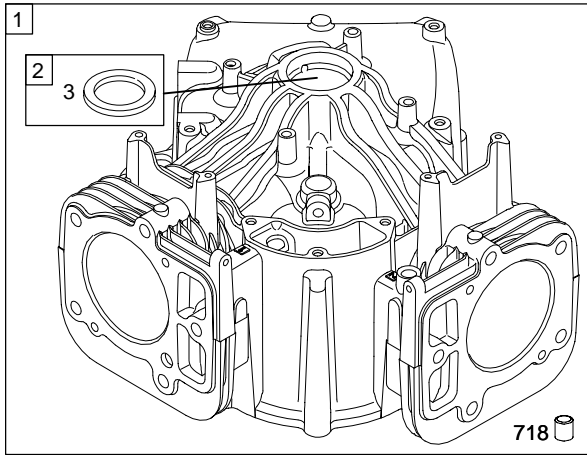


PRINTED IN U.S.A.

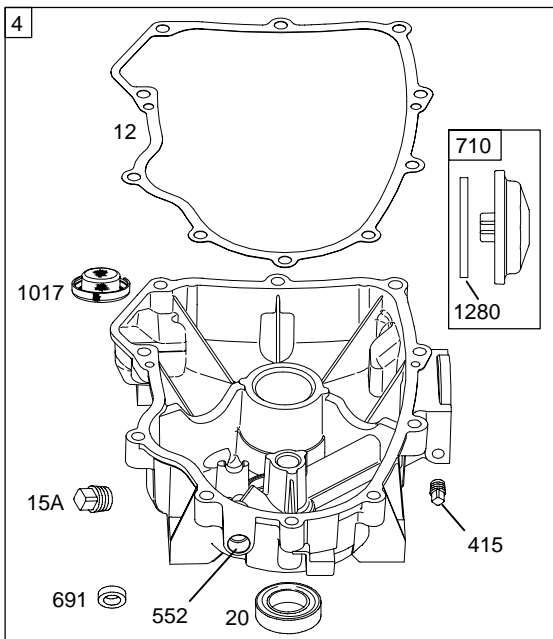
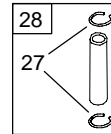
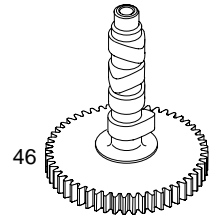
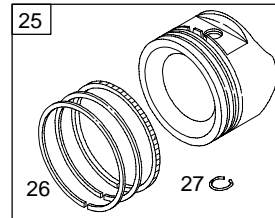
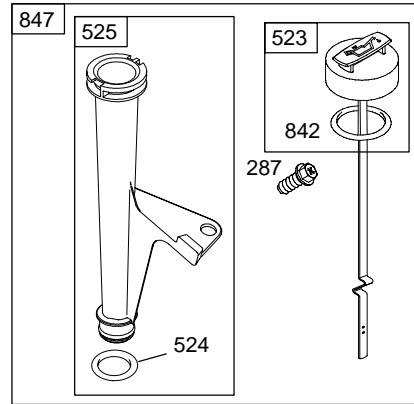
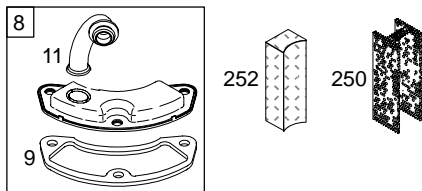
COPYRIGHT by BRIGGS & STRATTON CORPORATION
All rights reserved. No part of this material may be reproduced or transmitted,
in any form or by any means, electronic or mechanical, including photocopying,
recording or by any information storage and retrieval system, without permission
in writing from Briggs & Stratton Corporation.



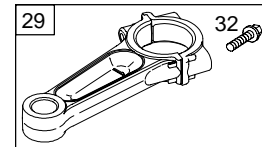
0 24847 10960 3



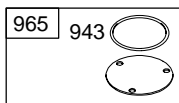
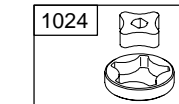
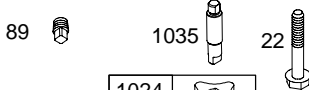
10



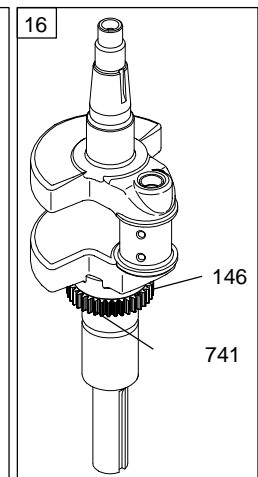
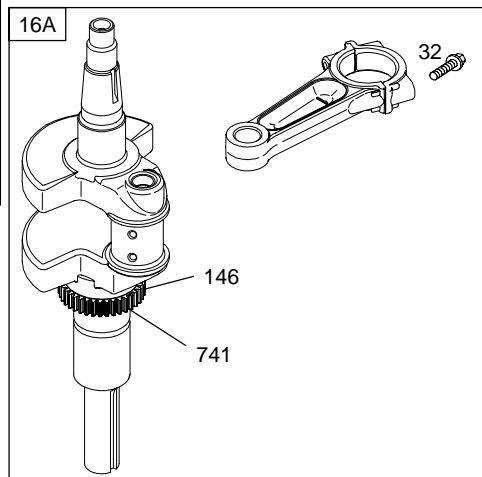
1019 LABEL KIT
1058 OPERATOR'S MANUAL
1330 REPAIR MANUAL



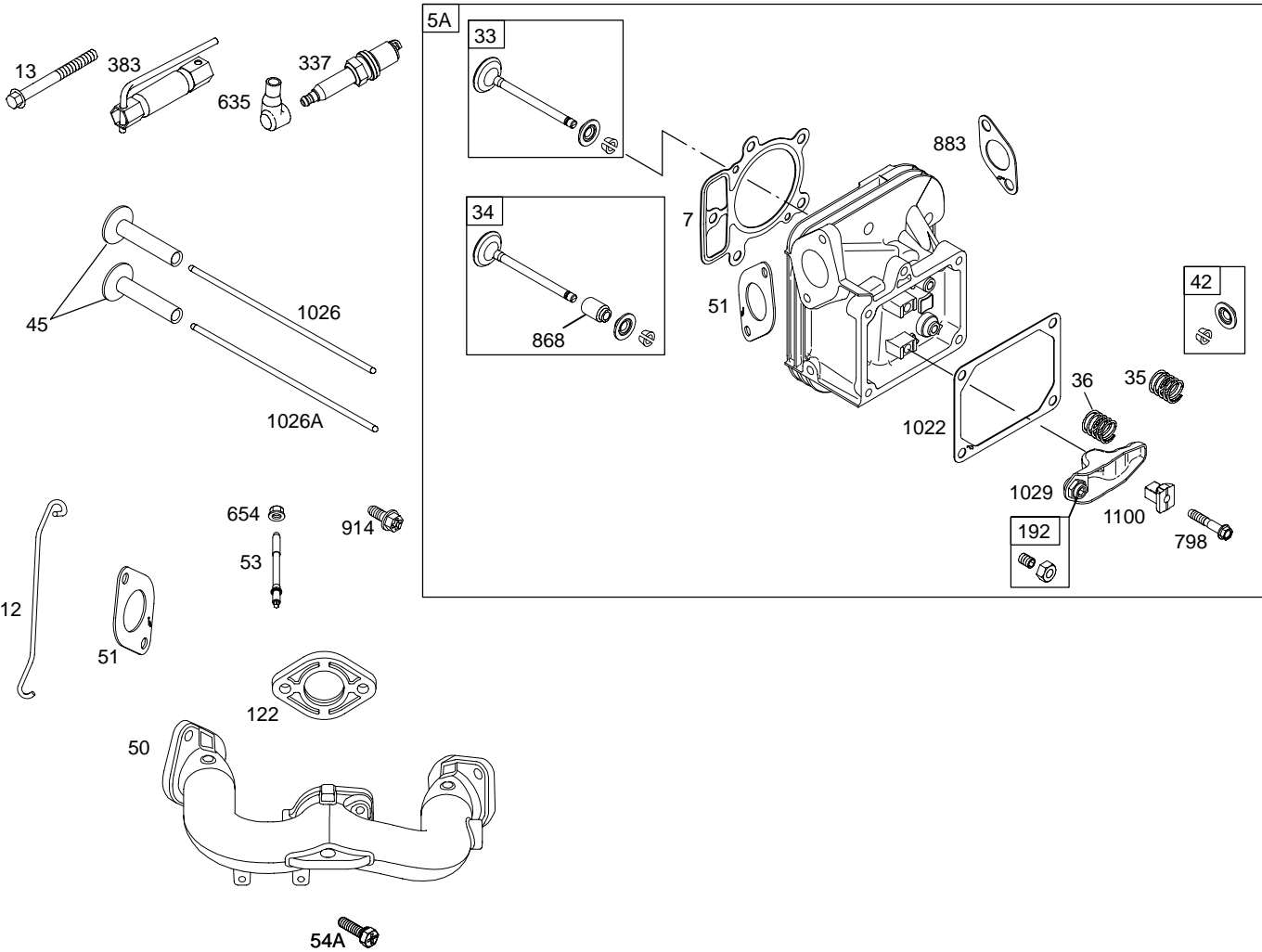
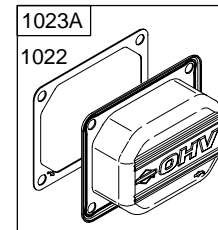
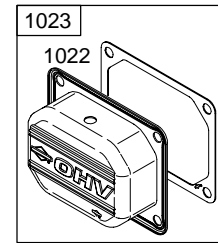
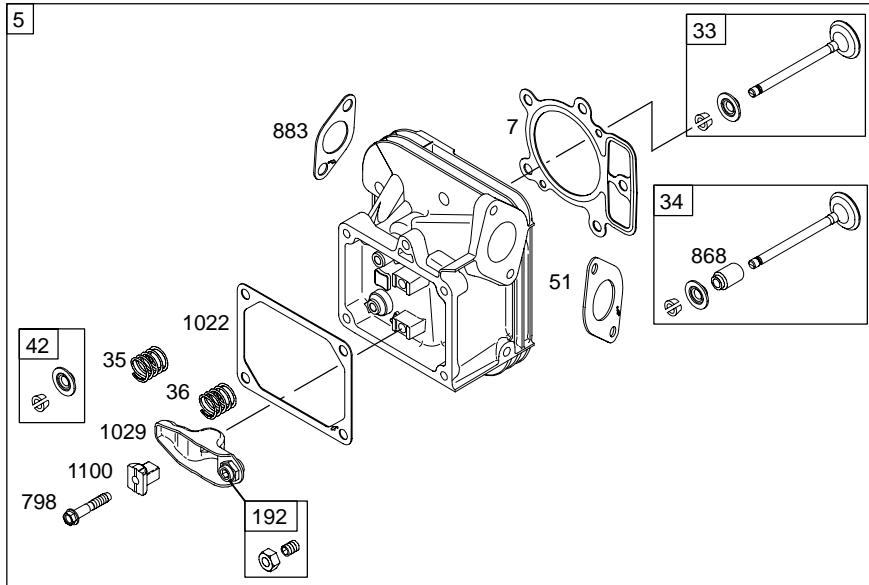
24



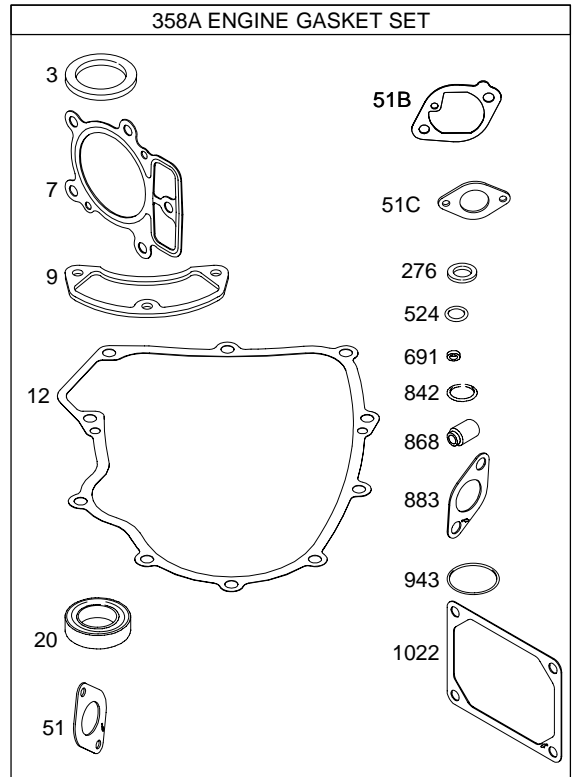
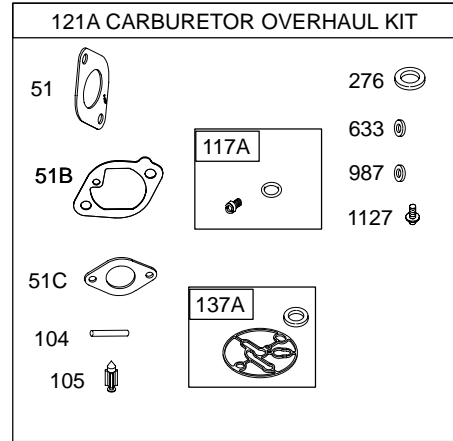
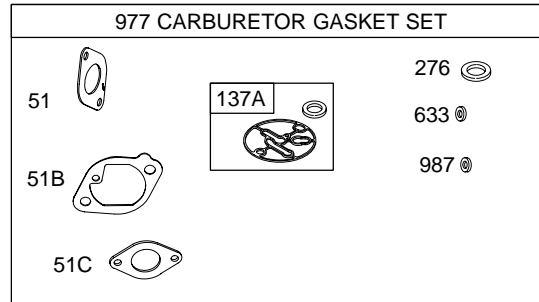
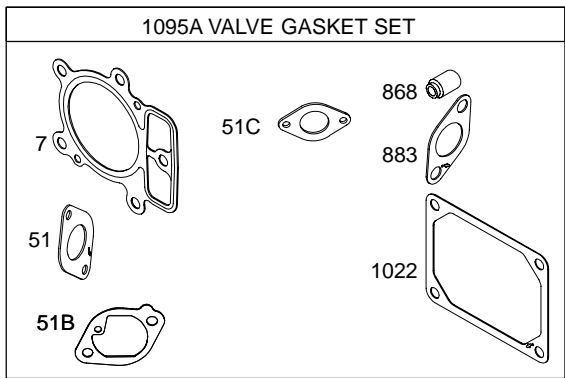
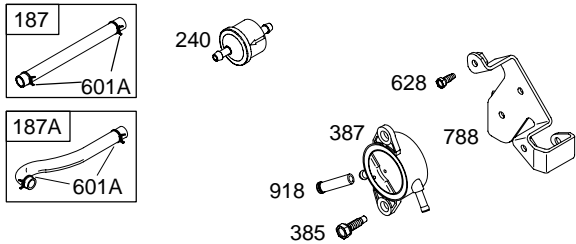
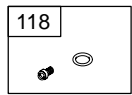
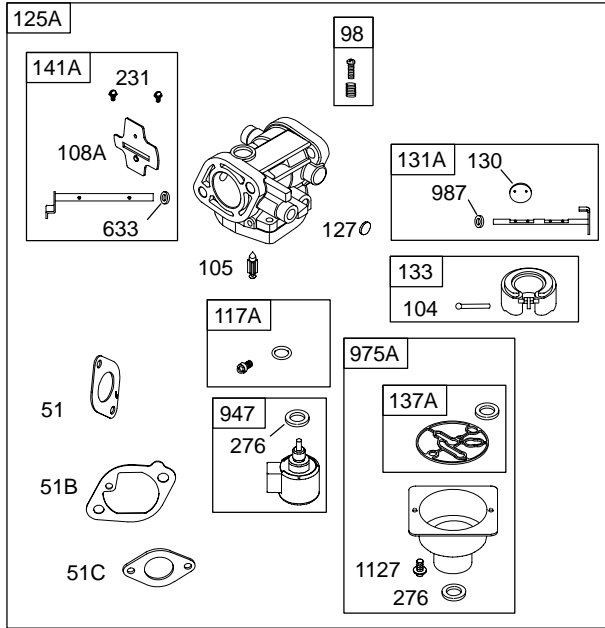
750



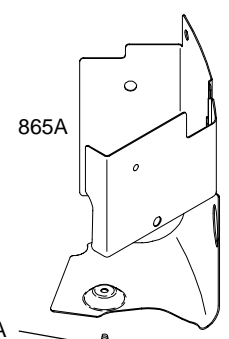
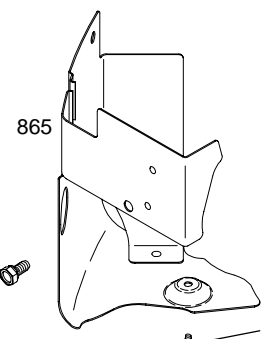
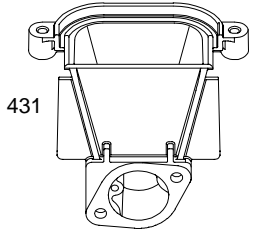
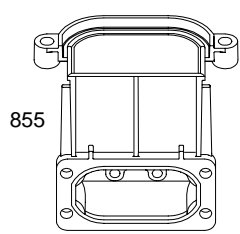
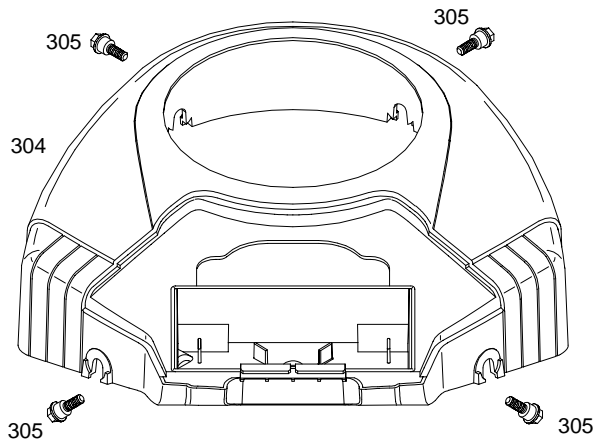
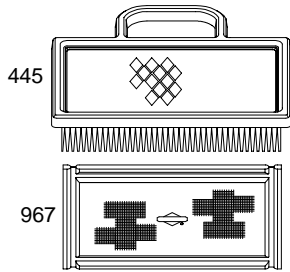
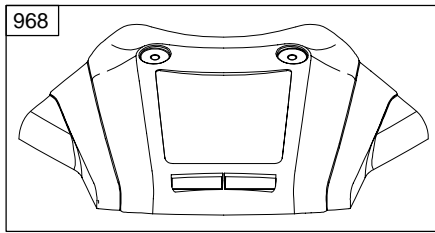
Illustrations cover a range of engines. Parts shown without corresponding text may not be used on your specific engine.
5762-2 Assemblies include all parts shown in frames. 06/08/2004



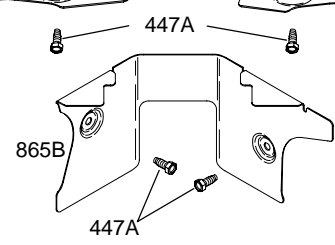
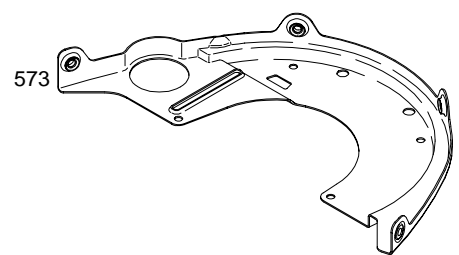
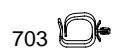
5762-3 Illustrations cover a range of engines. Parts shown without corresponding text may not be used on your specific engine. Assemblies include all parts shown in frames. 06/08/2004

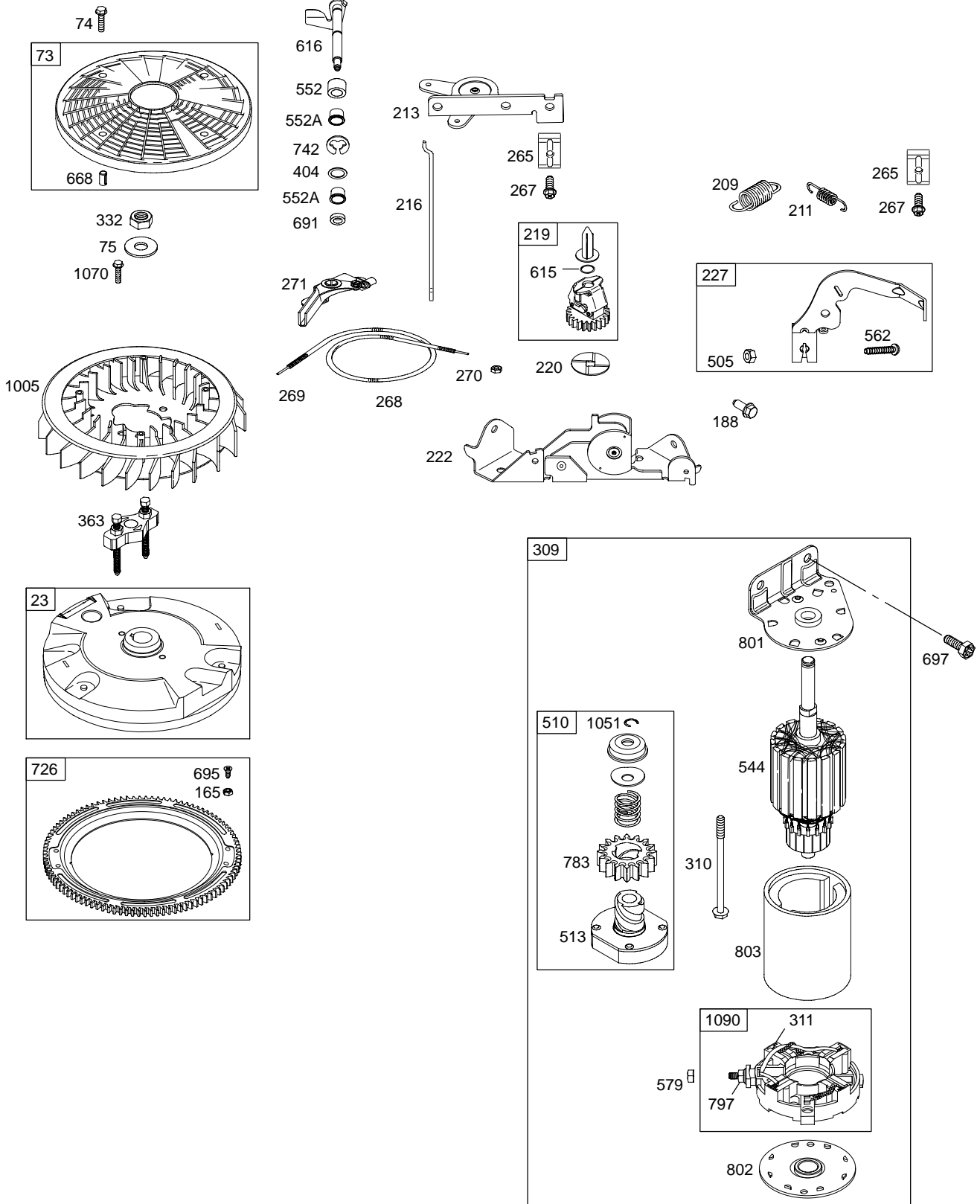


Illustrations cover a range of engines. Parts shown without corresponding text may not be used on your specific engine.
 5762-4 Assemblies include all parts shown in frames. 06/08/2004

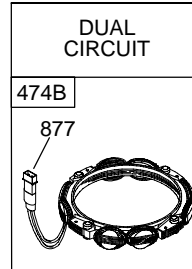


1036 EMISSIONS LABEL



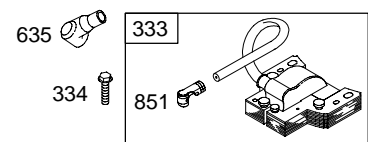
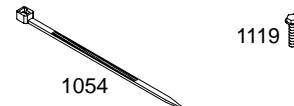
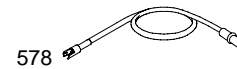
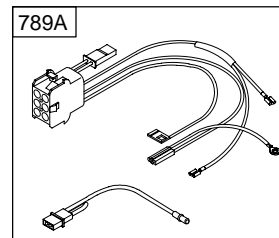


Illustrations cover a range of engines. Parts shown without corresponding text may not be used on your specific engine.
 5762-6 Assemblies include all parts shown in frames. 06/08/2004



NOTE: All stators use a No. 1119 mounting screw.

NOTE: The proper flywheel part number and/or the alternator magnet size will determine the alternator type or output. See repair instruction manual for additional information.



402500

REF. NO.	PART NO.	DESCRIPTION	REF. NO.	PART NO.	DESCRIPTION	REF. NO.	PART NO.	DESCRIPTION
1	699983	Cylinder Assembly	26	499604	Ring Set (Standard)	74	698425	Screw (Rotating Screen)
2	499585	Kit-Bushing/Seal (Magneto Side)			----- Note -----	75	691056	Washer (Flywheel)
3	★391086	Seal-Oil (Magneto Side)			499606 Ring Set (.020" Oversize)	89	690946	Plug-Oil
4	699752	Sump-Engine	27	690975	Lock-Piston Pin	98	699721	Kit-Idle Speed
5	693998	Head-Cylinder (Cylinder 1)	28	690229	Pin-Piston (Standard)	104	●694918	Pin-Float Hinge
5A	693999	Head-Cylinder (Cylinder 2)	29	699699	Rod-Connecting (Used After Code Date 03122700).	105	●698537	Valve-Float Needle
7	★Δ690962	Gasket-Cylinder Head			----- Note -----	108A	699808	Valve-Choke
8	499601	Breather Assembly			(Used Before Code Date 03122800).	117A	●698784	Jet-Main (Standard)
9	★690937	Gasket-Breather			(For Replacement Rod See Ref 16A)	118	●699820	Jet-Main (High Altitude)
10	691108	Screw (Breather Assembly)			697253 Rod- Connecting (.020" Undersize)	121A	699814	Kit-Carburetor Overhaul
11	690942	Tube-Breather	32	690976	Screw (Connecting Rod)	122	699802	Spacer-Carburetor
12	★697227	Gasket-Crankcase	33	499596	Valve-Exhaust	125A	699807	Carburetor
13	690360	Screw (Cylinder Head)	34	697464	Valve-Intake	127	698810	Plug-Welch
15A	690946	Plug-Oil Drain (3/8" Standard)	35	690963	Spring-Valve (Intake)	130	699809	Valve-Throttle
16	699700	Crankshaft (Used After Code Date 03122700).	36	690963	Spring-Valve (Exhaust)	131A	699812	Kit-Throttle Shaft
16A	699701	Crankshaft (Used Before Code Date 03122800).	42	499586	Keeper-Valve	133	694914	Float-Carburetor
20	★690947	Seal-Oil (PTO Side)	45	690977	Tappet-Valve	137A	◆698781	Gasket-Float Bowl
22	694966	Screw (Crankcase Cover/ Sump)	46	699748	Camshaft	141A	699811	Kit-Choke Shaft
23	691054	Flywheel	50A	699801	Manifold-Intake	146	690979	Key-Timing
24	222698	Key-Flywheel	51Δ◆690949	Gasket-Intake	165	693148	Nut (Ring Gear)	
25	790145	Piston Assembly (Standard)	51BΔ◆699800	Gasket-Intake	187	699799	Line-Fuel	
		----- Note -----	51CΔ◆699803	Gasket-Intake	187A	691049	Line-Fuel (Molded)	
		790146 Piston Assembly (.020" Oversize)	53	690951	Stud (Carburetor)	188	691003	Screw (Control Bracket)
			54A	699816	Screw (Intake Manifold)	192	690083	Adjuster-Rocker Arm
			73	494439	Screen-Rotating	209	692909	Spring-Governor (Yellow)
						211	691019	Spring-Governed Idle
						212	699805	Link-Throttle
						213	691021	Bracket-Choke Control
						216	691022	Link-Choke

★ Included in Engine Gasket Set-Ref. No. 358.

● Included in Carburetor Overhaul Kit-Ref. No. 121.

◆ Included in Carburetor Gasket Set-Ref. No. 977.

Δ Included in Valve Gasket Set-Ref. No. 1095.

Illustrations cover a range of engines. Parts shown without corresponding text may not be used on your specific engine.

5762-8

Assemblies include all parts shown in frames.

06/08/2004

REF. NO.	PART NO.	DESCRIPTION	REF. NO.	PART NO.	DESCRIPTION	REF. NO.	PART NO.	DESCRIPTION
219	698231	Gear-Governor	333	691060	Armature-Magneto	544	692034	Armature-Starter
220	690412	Washer (Governor Gear)	334	691061	Screw (Magneto Armature)	552	690552	Bushing-Governor Crank
222	698761	Bracket-Control	337	691043	Plug-Spark	552A	690553	Bushing-Governor Crank
227	691048	Lever-Governor Control	358A	699823	Gasket Set-Engine	562	690311	Bolt (Governor Control Lever)
231	690718	Screw (Choke Valve)	363	19203	Flywheel Puller	573	790444	Plate-Back
240	691035	Filter-Fuel	383	19374	Wrench-Spark Plug	578	691208	Wire Assembly
250	690957	Retainer-Breather	385	691108	Screw (Fuel Pump)	579	691029	Nut (Starter Cable)
252	690956	Collector-Oil	387	808656	Pump-Fuel	601	691038	Clamp-Hose
265	691024	Clamp-Casing	404	690442	Washer (Governor Crank)	615	698290	Shaft-Governor Retainer
267	695134	Screw (Casing Clamp)	405A	697820	Screw (Back Plate) (Mounting)	616	691045	Crank-Governor (Intake Manifold)
268	691025	Casing-Control Wire (Cut to Required Length)	415	690283	Plug	628	691108	Screw (Fuel Pump Bracket)
269	691026	Wire-Control (Cut to Required Length)	431	699806	Elbow-Intake	633	◆◆695414	Seal-Choke/Throttle Shaft
270	691027	Nut (Control Wire Casing)	445	499486	Filter-Air Cleaner Cartridge	635	66538	Boot-Spark Plug
271	691028	Lever-Control	447	691003	Screw (Air Guide Cover)	654	690958	Nut (Carburetor)
276★◆◆	695410	Washer-Sealing	447A	691108	Screw (Air Guide Cover)	668	691215	Spacer
287	691108	Screw (Dipstick Tube)	474B	696459	Alternator (Dual Circuit)	691	★690657	Seal-Governor Shaft
304	695277	Housing-Blower (Black)	505	691029	Nut (Governor Control Lever)	695	693149	Screw (Ring Gear)
305	698336	Screw (Blower Housing)	510	696541	Drive-Starter	697	690372	Screw (Drive Cap)
309	497595	Motor-Starter	513	692024	Clutch-Drive			
310	690323	Bolt (Starter Motor)	523	691036	Dipstick			
311	497608	Brush Set	524	★691032	Seal-Dipstick Tube			
332	691059	Nut (Flywheel)	525	691037	Tube-Dipstick			
			526	691108	Screw (Regulator) (10 To 16 Amp Regulated)			

★ Included in Engine Gasket Set-Ref. No. 358.

● Included in Carburetor Overhaul Kit-Ref. No. 121.

◆ Included in Carburetor Gasket Set-Ref. No. 977.

△ Included in Valve Gasket Set-Ref. No. 1095.

Illustrations cover a range of engines. Parts shown without corresponding text may not be used on your specific engine.

5762-9

Assemblies include all parts shown in frames.

06/08/2004

402500

REF. NO.	PART NO.	DESCRIPTION	REF. NO.	PART NO.	DESCRIPTION	REF. NO.	PART NO.	DESCRIPTION
703	691010	Clip	865B	691015	Cover-Air Guide (Valley)	1026	690981	Rod-Push (Steel)
710	697474	Cover-Oil Filter	868	★△690968	Seal-Valve	1026A	690982	Rod-Push (Aluminum)
718	690959	Pin-Locating	914	691127	Screw (Rocker Cover)	1029	690972	Arm-Rocker
726	499612	Gear-Ring	918	694000	Hose-Vacuum	1035	691042	Shaft-Pump
741	690980	Gear-Timing	929	695239	Screw (Choke Control Bracket)	1036	695704	Label-Emissions
742	690328	Retainer-E Ring	943	★690589	Seal-O Ring (Oil Pump Cover)	1051	691265	Ring-Retaining
750	696999	Screw (Oil Pump Cover)	947	699728	Solenoid-Fuel	1054	280275	Tie-Cable
783	695708	Gear-Pinion	965	499613	Cover-Oil Pump	1058	275475	Operator's Manual (Emission)
788	691039	Bracket-Fuel Pump	967	273638	Filter-Pre Cleaner	1070	691058	Screw (Fan Retainer)
789A	698330	Harness-Wiring (6 Pin Customer Conversion)	968	790095	Cover-Air Cleaner	1090	691293	Retainer-Brush
797	693167	Nut (Brush Retainer)	975A	699502	Bowl-Float	1095A	694013	Gasket Set-Valve
798	697890	Screw (Rocker Arm)	977	699815	Gasket Set-Carburetor	1100	690973	Pivot-Rocker Arm
801	691283	Cap-Drive	987	◆699813	Seal-Throttle Shaft	1119	691183	Screw (Alternator)
802	691286	Cap-End	1005	499603	Fan-Flywheel	1127	◆695407	Screw (Float Bowl)
803	693757	Housing-Starter	1017	690770	Screen-Oil Pump	1280	697475	Seal-O Ring (Oil Filter Cover)
842	★691031	Seal-O Ring (Dipstick)	1019	790094	Kit-Label	1330	273521	Manual-Repair
847	499602	Dipstick/Tube Assembly	1022	★△690971	Gasket-Rocker Cover			
851	493880	Terminal-Spark Plug	1023	499599	Cover-Rocker Arm (Cylinder 1)			
855	691011	Adapter-Air Cleaner	1023A	499600	Cover-Rocker Arm (Cylinder 2)			
865	691012	Cover-Air Guide (Cylinder 1)	1024	499054	Pump-Oil			
865A	691014	Cover-Air Guide (Cylinder 2)						

★ Included in Engine Gasket Set-Ref. No. 358.

● Included in Carburetor Overhaul Kit-Ref. No. 121.

◆ Included in Carburetor Gasket Set-Ref. No. 977.

△ Included in Valve Gasket Set-Ref. No. 1095.

Illustrations cover a range of engines. Parts shown without corresponding text may not be used on your specific engine.

5762-10

Assemblies include all parts shown in frames.

06/08/2004

