

## 402700 to 402799

# Illustrated Parts List Industrial/Commercial Model Series 402700 to 402799

TYPE NUMBERS  
1115 through 1117,  
1200 through 1228,  
1232, 1233, 1235,  
1239 through 1246,  
1270, 1272, 1280,  
1401, 1500, 1502,  
1505 through 1509,  
1511, 4001, 7017.

### TO FIND THE CORRECT NUMBER OF THE PART YOU NEED: FOLLOW THE INSTRUCTIONS BELOW

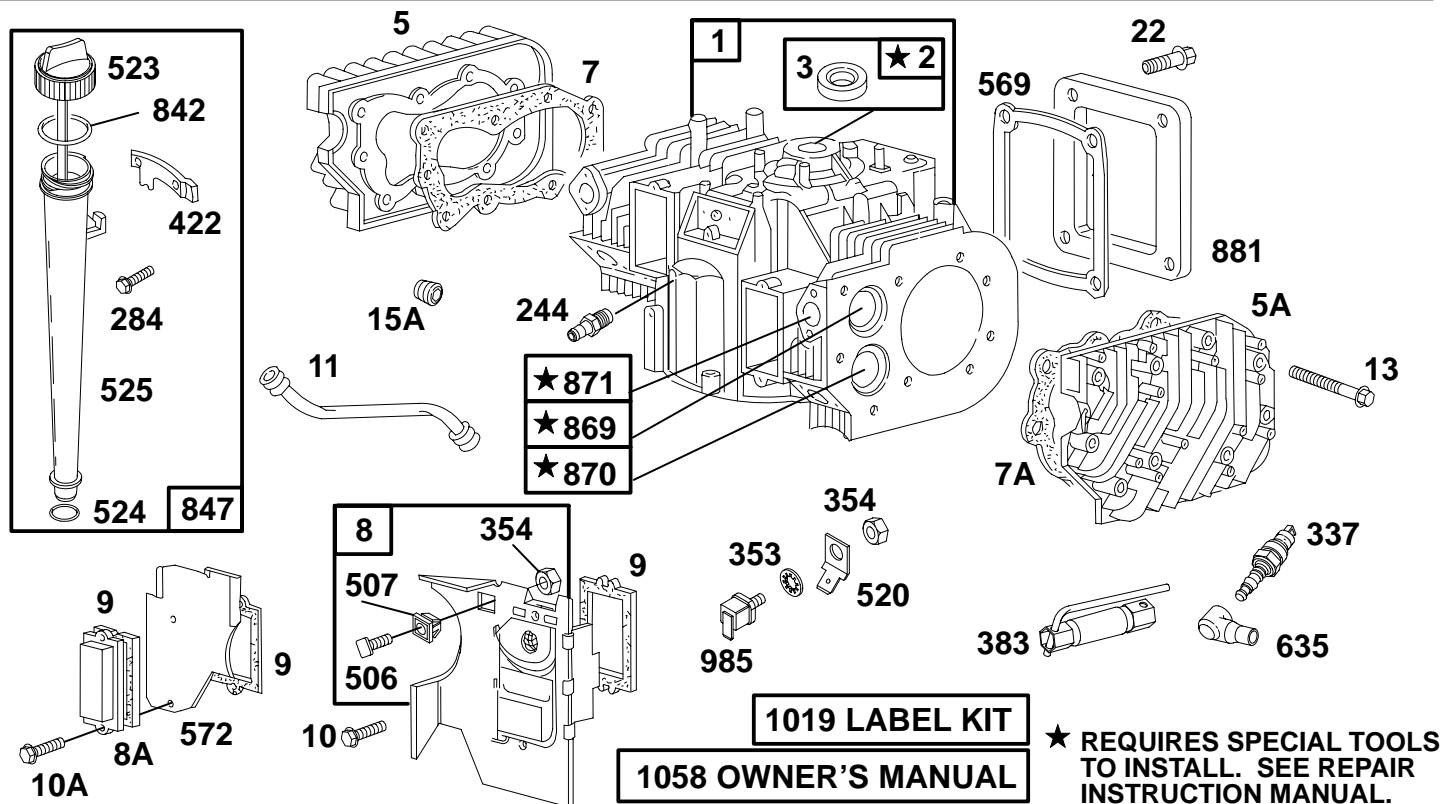
- A. Refer to Engine Model, Type and Code Number that is stamped on the blower housing of engine. Engine type numbers such as 0123 01 are listed only as 0123 in most instances. The two digits (01 or 02, etc.) to the right of the space may be required for more accurate parts identification in some instances. Select the Illustrated Parts List covering the correct Model Series and Type Number.
- B. Refer to the Illustrations and compare the original part with Illustration. The number next to the illustration is the Reference Number. Assemblies include all parts shown in frames. All parts shown in assembly frames having individual reference numbers can be purchased separately.
- C. After the Reference Number has been identified, refer to the Numerical text, where Reference and Primary Part Number are listed. THE PRIMARY PART IS USED ON ALL TYPE NUMBERS EXCEPT THOSE TYPE NUMBERS UNDER "NOTE."
- D. If a "Note" appears below the Primary Part Number, it means that this part differs from the Primary Part for certain types. If your Type number is listed under "Note," order the part referred to at the "Note."
- E. If your Engine Type Number does not appear after any part number listed under "Note," use the Primary Part Number.
- F. For Engine Type Numbers not covered by this book, check other Parts Lists having the same engine model or contact your source of supply.

PRINTED IN U.S.A.

COPYRIGHT©



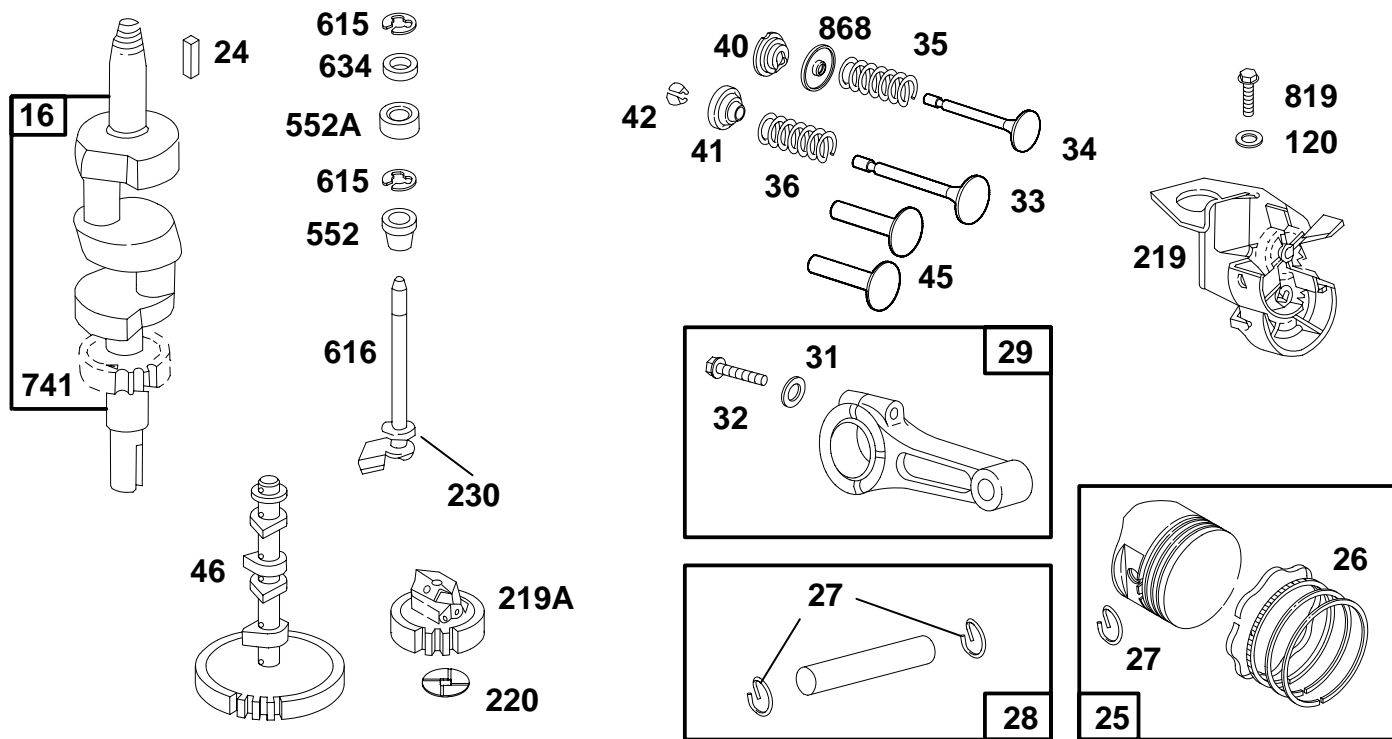
# 402700 to 402799



★ REQUIRES SPECIAL TOOLS TO INSTALL. SEE REPAIR INSTRUCTION MANUAL.

REF. NO.	PART NO.	DESCRIPTION	REF. NO.	PART NO.	DESCRIPTION	REF. NO.	PART NO.	DESCRIPTION
1		Cylinder Assembly <b>See Last Pages.</b>	22	93882	Screw-Hex.	569	★272062	Gasket-Base
2	399265	Bushing	244	230318	Connector-Fuel Line (Impulse Pump)	572		Baffle-Air <b>See Last Pages.</b>
3	★391086	Seal-Oil	337	802592	Plug-Spark	635	66538	Boot-Spark Plug
5	493457	Head-Cylinder (#1)			<b>Note</b>	869	261463	Seat-Valve (Intake)
5A	493458	Head-Cylinder (#2)			394539 Plug-Spark (2 3/8" High, 62 mm)	870	213316	Seat-Valve (Exhaust)
7	★271867	Gasket-Cylinder Head (#1)	353	92791	Washer-Lock	871	261961	Bushing-Guide (Exhaust Valve)
7A	★271868	Gasket-Cylinder Head (#2)	354	90576	Nut-Hex.			<b>Note</b>
8	398065	Breather Assembly	383	89838	Wrench-Spark Plug			231218 Bushing-Guide (Brass) (Intake Valve)
8A	222892	Cover-Breather (Cylinder #2) (Used Only on Ref. 572 Air Baffle With Holes for Mounting)	506	231174	Terminal	881	222860	Cover-Crankcase
9	★27803	Gasket-Breather	507	280180	Insulator	985	398525	Insulator
10	94382	Screw-Hex.	520	93722	Terminal	1019	491261	Label Kit
10A	94830	Screw-Hex.	523	494947	Cap-Oil Fill (Used Before Code Date 92071900).	1058	272112	Owner's Manual
11	280225	Tube-Breather	524	★271157	Seal-Fill Tube	842		Seal-Cap <b>See Last Pages.</b>
13	94565	Screw-Hex.	525	495348	Tube-Oil Fill (Used After Code Date 92071900).	847		Dipstick and Tube Assembly <b>See Last Pages.</b>
15A	94497	Plug-Pipe (1/8-27) (Impulse Pump Hole)			<b>Note</b>			
					280224 Tube-Oil Fill (Used Before Code Date 92072000).			

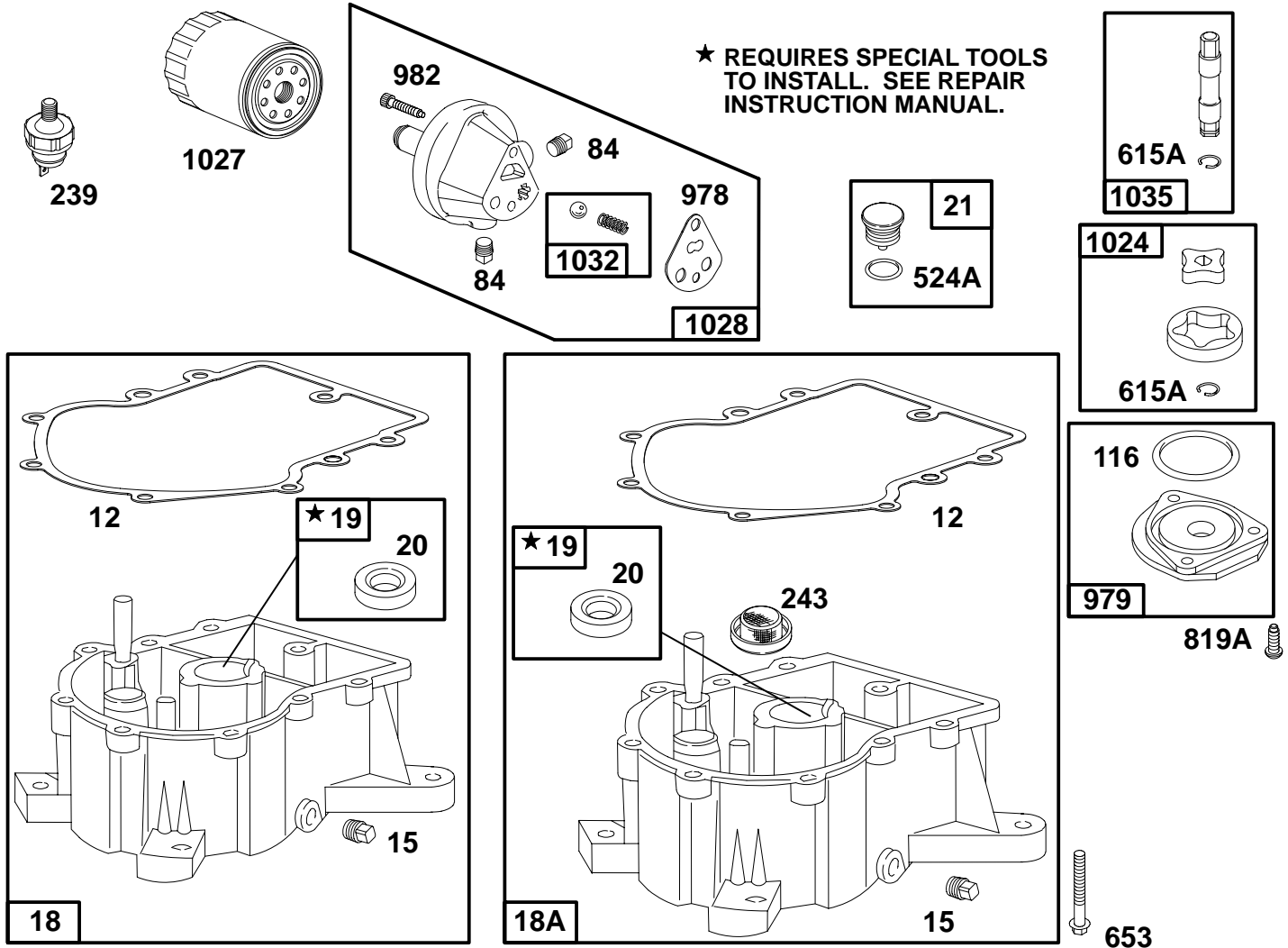
- ★ Included in Gasket Set-Part No. 491856.
- Included in Carburetor Kit-Part No. 491539.
- Included in Pump Repair Kit-Part No. 393397.



REF. NO.	PART NO.	DESCRIPTION	REF. NO.	PART NO.	DESCRIPTION	REF. NO.	PART NO.	DESCRIPTION			
16		Crankshaft <b>See Last Pages.</b>			<b>Note</b>	34	261528	Valve-Intake			
24	222698	Key-Flywheel			492667 Rod-Conn. Used on Model Series 402777.	35	65906	Spring-Valve			
25	394955	Piston Assy. (Std.)			492911 Rod-Conn. (.020" Undersize) Used on Model Series 402777.	36	26828	Spring-Valve			
		394956 Piston Assy. (.010" O.S.)	31	220863	Washer (Used Before Code Date 92083100).	40	221596	Retainer-Valve			
		394957 Piston Assy. (.020" O.S.)			32	94671	Screw-Hex. (Used After Code Date 92083000).	41	292260	Retainer-Valve	
		394958 Piston Assy. (.030" O.S.)			<b>Note</b>	42	93630	Keeper-Valve			
26	394959	Ring Set (Std.)			92909 Screw-Hex. (Used Before Code Date 92083100).	45	261368	Tappet-Valve			
		394960 Ring Set (.010" O.S.)			33	390420	Valve-Exhaust	46	213520	Gear-Cam	
		394961 Ring Set (.020" O.S.)			<b>Note</b>			120	92290	Washer-Lock	
		394962 Ring Set (.030" O.S.)			390419 Valve-Exhaust Used on Type No(s). 1500, 1502, 1505, 1506, 1507, 1508, 1509, 1511, 7017.	219	393415	Slinger-Oil	219A	394348	Gear-Governor
27	260924	Lock-Piston Pin				220	222773	Washer-Thrust	220	222773	Washer-Thrust
28	299691	Pin-Piston (Standard)				230	223882	Washer	230	223882	Washer
		391286 Pin-Piston (.005" O.S.)				552	262332	Lower Bushing-Gov.	552A	262331	Upper Bushing-Gov.
29	393270	Rod-Connecting (Standard)				615	94296	Retainer-E-Ring	615	94296	Retainer-E-Ring
		393714 Rod-Connecting (.020" Undersize)				616	491530	Crank-Governor	616	491530	Crank-Governor
						634	★491287	Seal-Governor Shaft	634	★491287	Seal-Governor Shaft
						741	262694	Gear-Timing	741	262694	Gear-Timing
						819	94675	Screw-Hex.	819	94675	Screw-Hex.
						868	393606	Seal-Valve	868	393606	Seal-Valve

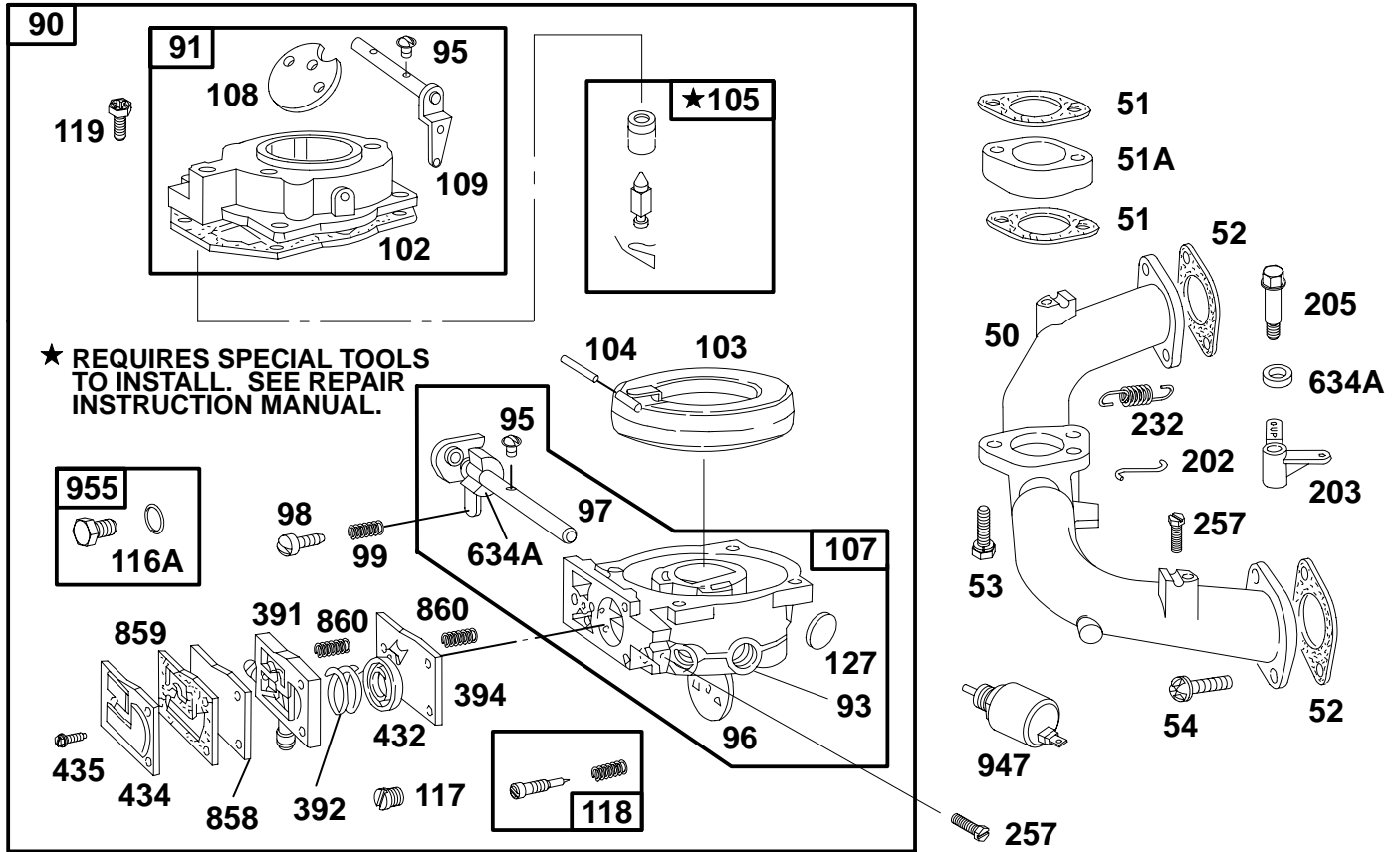
- ★ Included in Gasket Set-Part No. 491856.
- Included in Carburetor Kit-Part No. 491539.
- Included in Pump Repair Kit-Part No. 393397.

# 402700 to 402799



REF. NO.	PART NO.	DESCRIPTION	REF. NO.	PART NO.	DESCRIPTION	REF. NO.	PART NO.	DESCRIPTION
12	★271703	Gasket-Crankcase (.015" Thick)	84	91488	Plug-Pipe	982	94362	Screw-Socket
	★271188	Gasket-Crankcase (.005" Thick)	116	★280801	Seal-O-Ring	1024	492196	Pump-Oil
	★271189	Gasket-Crankcase (.009" Thick)	239	491657	Switch-Oil Pressure	1027	491056	Filter-Oil
15	94239	Plug-Oil Drain	243	491722	Screen-Oil Pump	1028	491721	Adapter-Oil Filter
		<b>Note</b>	524A	★271485	Seal-Plug			<b>Note</b>
		94613 Plug-Pipe (Hex. Socket Head)	615A	94400	Ring-Oil Pump			492675 Adapter-Filter (Remote)
18	493304	Sump-Engine	653	93585	Screw-Hex.			<b>Use(s):</b>
18A	492575	Sump-Engine			<b>Note</b>			492061 Filter Kit (Remote) (18" Hose)
19	399264	Bushing			93730 Stud			<b>Or</b>
21	399195	Plug-Oil Fill			90366 Washer-Lock			492062 Filter Kit (Remote) (30" Hose)
20	★291675	Seal-Oil	819A	94410	Screw			1032 491710 Spring-Compression
			978	★272060	Gasket			1035 492589 Shaft-Pump
			979	492197	Cover-Oil Pump			

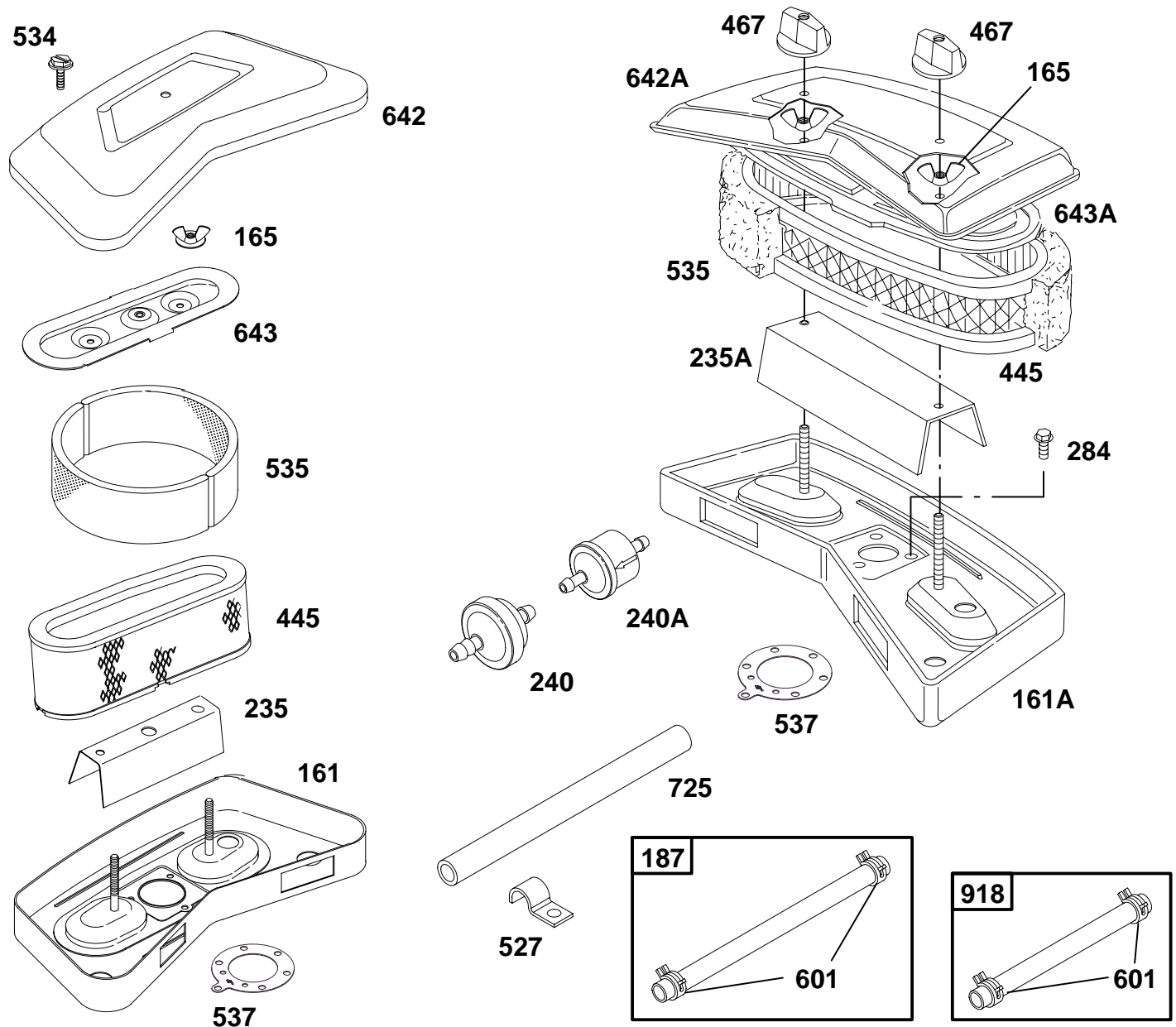
- ★ Included in Gasket Set-Part No. 491856.
- Included in Carburetor Kit-Part No. 491539.
- Included in Pump Repair Kit-Part No. 393397.



REF. NO.	PART NO.	DESCRIPTION	REF. NO.	PART NO.	DESCRIPTION	REF. NO.	PART NO.	DESCRIPTION
50	213290	Manifold-Intake			<b>Note</b>	203		Crank-Bell <b>See Last Pages.</b>
51	★●271412	Gasket-Intake			●271609			Gasket-Carburetor Body (Used Before Code Date 93070100).
51A	280319	Spacer-Carburetor	103	298514	Float-Carburetor	205	93971	Screw-Hex.
52	★270884	Gasket-Intake	104	●230896	Pin-Float Hinge	232	262539	Spring-Link
53	93970	Screw-Hex.	105	●394683	Valve-Needle	257	93897	Screw-Slotted Hex.
54	93208	Screw-Phillips	107	491543	Body Assy.-Lower	391	280197	Body-Pump
90	495181	Carburetor (Used After Code Date 92021600).	108	223534	Valve-Choke	392	■●261395	Spring-Diaphragm
		<b>Note</b>	109	392673	Shaft-Choke	394	■●270988	Diaphragm-Carburetor
		491429	116A	★280474	Seal-O-Ring	432	■●221377	Cap-Spring
		Carburetor (Used Before Code Date 92021700).	117	231338	Jet-Main	434	223688	Cover-Diaphragm
91	495035	Body Assembly-Upper			<b>Note</b>	435	93829	Screw-Hex.
93	231209	Bushing-Throttle Shaft			231333			Washer
95	93499	Screw-Hex.	118	●491538	Valve-Idle Adjustment	634A	●271013	Diaphragm-Carburetor
96	221939	Valve-Throttle			●491538			Gasket-Pump
97	392672	Shaft-Throttle	119	94152	Screw-Hex.	860	■●261358	Spring-Diaphragm
98	91920	Screw-Slotted	127	●223472	Plug-Welch	947	397266	Solenoid-Fuel
99	26157	Spring-Throttle Adj.	202		Link	955	397882	Plug-Solenoid
102	●271607	Gasket-Carb. Body			<b>See Last Pages.</b>			

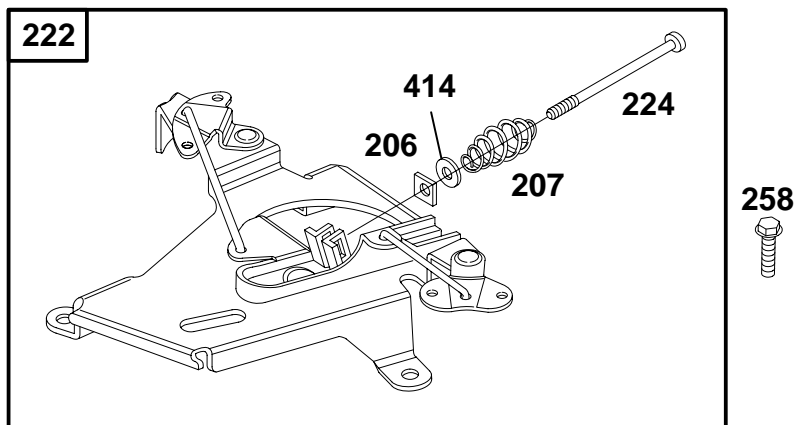
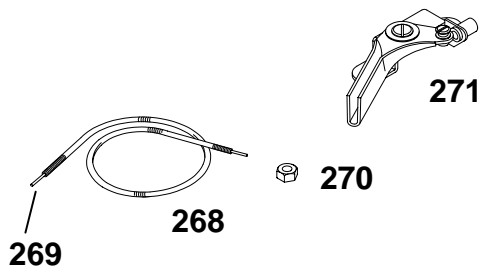
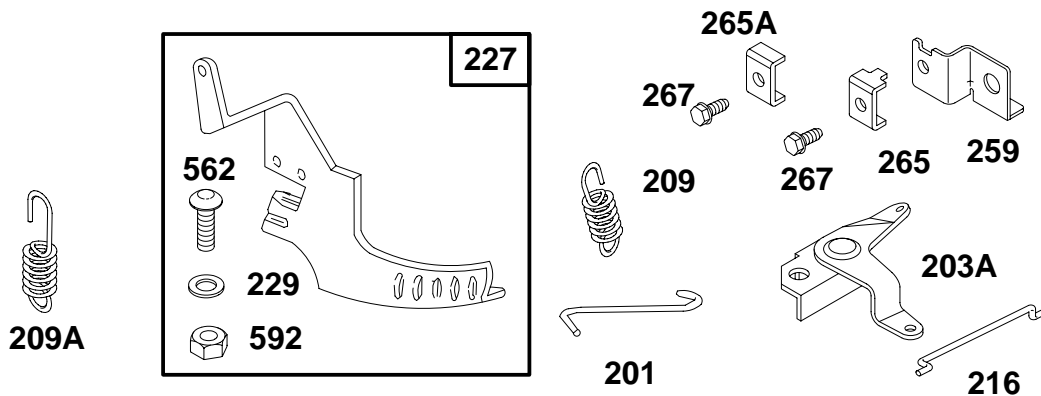
- ★ Included in Gasket Set-Part No. 491856.
- Included in Carburetor Kit-Part No. 491539.
- Included in Pump Repair Kit-Part No. 393397.

# 402700 to 402799



REF. NO.	PART NO.	DESCRIPTION	REF. NO.	PART NO.	DESCRIPTION	REF. NO.	PART NO.	DESCRIPTION
161	496599	Base—Air Cleaner	240A	493629	Filter—Fuel	642	225008	Cover—Air Cleaner
161A	398826	Base—Air Cleaner	284	94264	Screw—Hex.	642A	223579	Cover—Air Cleaner
165	94289	Nut—Wing	445	394019	Filter—Air	643	496700	Retainer—Air Filter
187	299146	Line—Fuel (Cut to Required Length)	467	212706	Knob	643A	223714	Retainer—Air Filter
235	224995	Shield—Fuel Spray	527	223167	Clamp—Tube	725	280866	Shield—Heat (Cut to Required Length)
235A	224039	Shield—Fuel Spray	534	94823	Screw—Slotted Hex.	918	393815	Line—Vacuum
240	394358	Filter—Fuel	535	272490	Filter—Air			
			537	★●271411	Gasket—Air Cleaner			
			601	93053	Clamp—Hose			

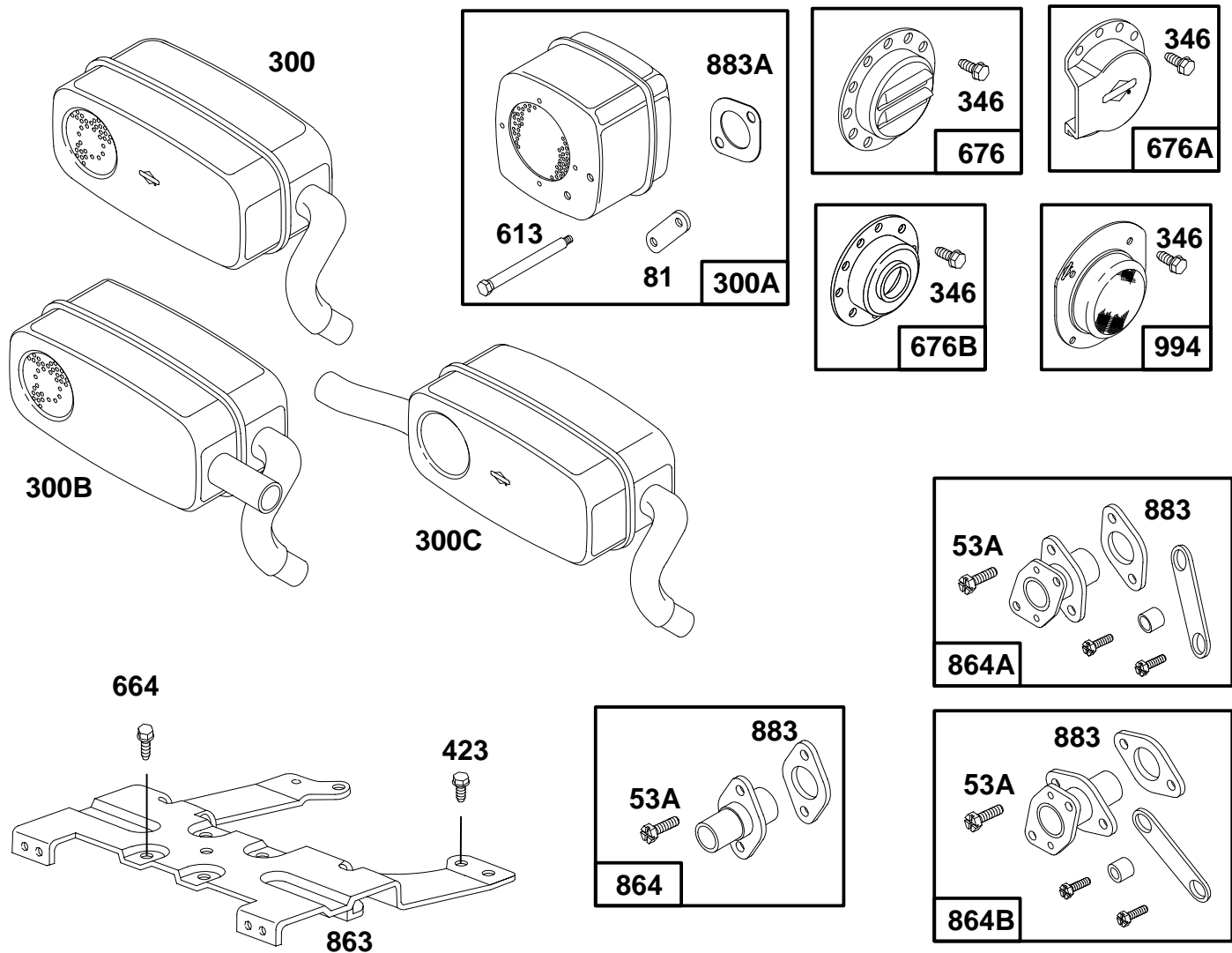
- ★ Included in Gasket Set—Part No. 491856.
- Included in Carburetor Kit—Part No. 491539.
- Included in Pump Repair Kit—Part No. 393397.



REF. NO.	PART NO.	DESCRIPTION	REF. NO.	PART NO.	DESCRIPTION	REF. NO.	PART NO.	DESCRIPTION
201	262683	Link (Used After Code Date 89120300).	229	222289	Washer	269	26633	Wire—Control (78" Long)
		<b>Note</b>	258	94623	Screw—Hex.			<b>Note</b>
		493230 Link (Used Before Code Date 89120400).	259	223890	Bracket—Cable			If Longer Wire is Required, Specify Length in Inches; if Shorter Wire is Needed, Order and Cut to Required Length. (72" Long)
203A	490207	Crank—Bell	265	221535	Clamp—Casing	270	63426	Locknut—Casing
206	94298	Nut—Square	265A	22372	Clamp—Casing	271	290568	Lever—Control
207	262337	Spring—Control Rod	267	93496	Screw—Hex.	284A	93469	Screw—Hex.
209		Spring—Governor <b>See Last Pages.</b>	268	65616	Casing—Wire (72" Long)	414	220680	Washer
209A	261563	Spring—Governor Idle			<b>Note</b>	422	222875	Bracket—Oil Fill
216	262375	Link			If Longer Casing is Required, Specify Length in Inches; if Shorter Wire is Needed, Order and Cut to Required Length.	562	93853	Bolt—Carriage
222	491282	Bracket—Control				592	92278	Nut—Hex.
224	94297	Screw—Torx®						
227	491297	Lever—Governor						

- ★ Included in Gasket Set—Part No. 491856.
- Included in Carburetor Kit—Part No. 491539.
- Included in Pump Repair Kit—Part No. 393397.

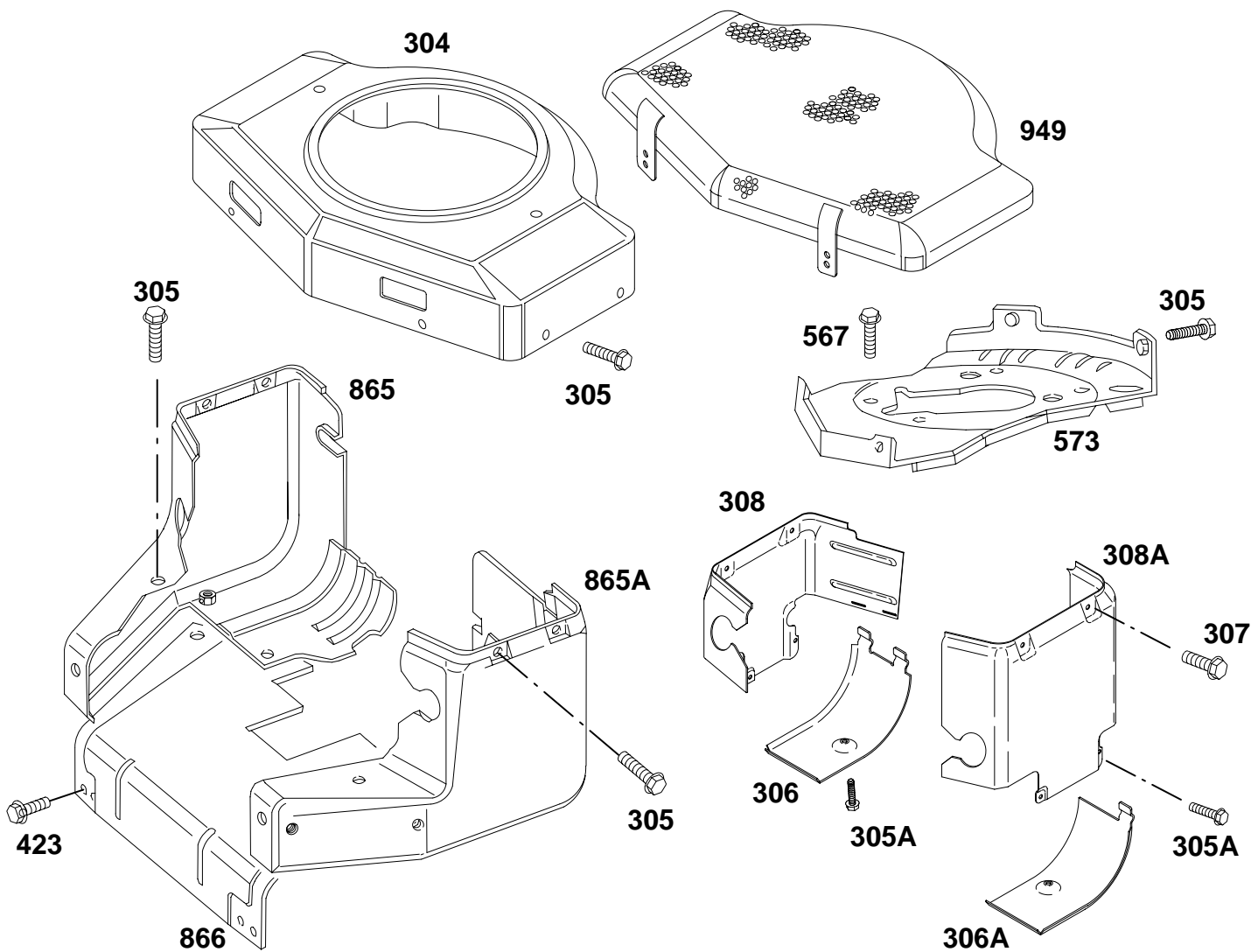
# 402700 to 402799



REF. NO.	PART NO.	DESCRIPTION	REF. NO.	PART NO.	DESCRIPTION	REF. NO.	PART NO.	DESCRIPTION
53A	93415	Screw-Hex.	300B	494436	Muffler-Exhaust	863	224007	Bracket-Muffler
81	223016	Lock-Muffler Screw	300C	495898	Muffler-Exhaust	864	398349	Adapter-Muffler
300	491319	Muffler-Exhaust	346	93705	Screw-Hex.	864A	490358	Adapter-Muffler (Cyl. #1)
		<b>Note</b>	423	93876	Screw-Hex.	864B	490357	Adapter-Muffler (Cyl. #2)
		491873 Muffler-Exhaust	613	93927	Screw-Hex.	883	★272250	Gasket-Exhaust
		Used on Type No(s). 1207, 1217.	664	93343	Screw-Hex.	883A	★272293	Gasket-Exhaust
300A	399635	Muffler-Exhaust	676	397630	Deflector-Muffler	994	392390	Arrester-Spark
			676A	393761	Deflector-Muffler			
			676B	396903	Deflector-Muffler			

- ★ Included in Gasket Set-Part No. 491856.
- Included in Carburetor Kit-Part No. 491539.
- Included in Pump Repair Kit-Part No. 393397.

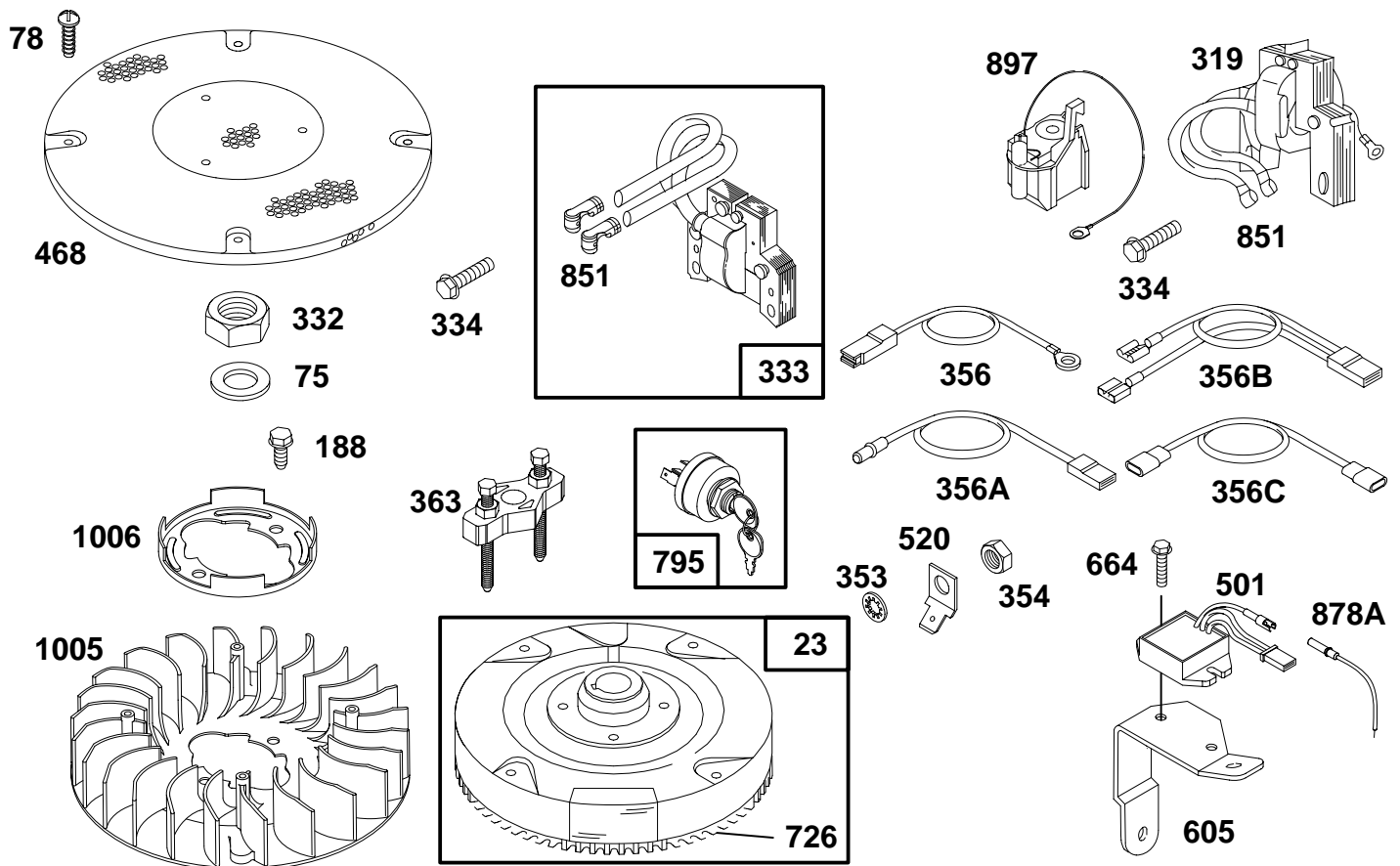




REF. NO.	PART NO.	DESCRIPTION	REF. NO.	PART NO.	DESCRIPTION	REF. NO.	PART NO.	DESCRIPTION
304	495588	Housing-Blower (Black)	305A	93343	Screw-Hex.	308A	224775	Cover-Air Guide
		<b>Note</b>	306	222846	Shield-Cylinder	423	93876	Screw-Hex.
	495587	Housing-Blower (Red)	306A	223734	Shield-Cylinder	567	93777	Screw-Hex.
305	94786	Screw-Hex. (1/2" Long)	307	94386	Screw-Hex. (Used After Code Date 91080400).	573	491304	Plate-Back
		<b>Note</b>			<b>Note</b>	865	491719	Cover-Air Guide (Cyl. #1)
	93415	Screw-Hex. (3/4" Long)	308	224774	Cover-Air Guide (Used Before Code Date 91080500).	865A	399932	Cover-Air Guide (Cyl. #2)
						866	491285	Cover-Air Guide
						949	491438	Screen-Static

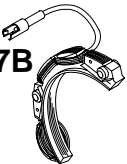
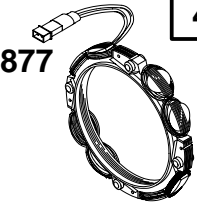
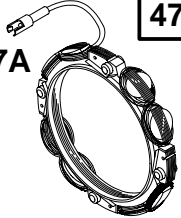
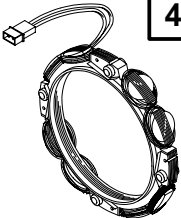
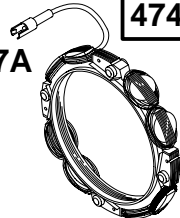
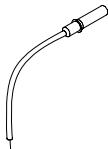
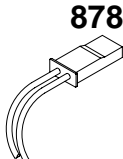
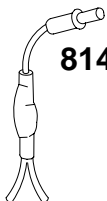
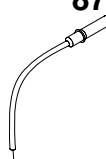
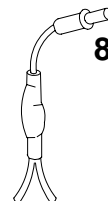
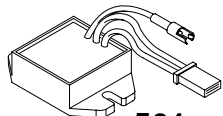
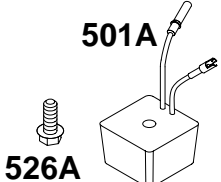
- ★ Included in Gasket Set-Part No. 491856.
- Included in Carburetor Kit-Part No. 491539.
- Included in Pump Repair Kit-Part No. 393397.

# 402700 to 402799



REF. NO.	PART NO.	DESCRIPTION	REF. NO.	PART NO.	DESCRIPTION	REF. NO.	PART NO.	DESCRIPTION
23	491180	Flywheel	332	230674	Nut-Hex.	605	222959	Bracket-Support
		<b>Note</b>	333	394891	Armature-Magneto	664	93343	Screw-Hex.
		491179 Flywheel	334	93381	Screw-Hex.	726	391362	Gear-Ring
		Used on Type No(s).	353	92791	Washer-Lock			(Includes Mtg. Parts)
		1115, 1116, 1117,	354	90576	Nut-Hex.	795	493625	Switch-Stop
		1213, 1215, 1218,	356	398708	Wire-Stop			<b>Include(s):</b>
		1219, 1220, 1222,	356A	494705	Wire-Stop			392832 Key Set
		1224, 1225, 1226,	356B	491391	Wire-Stop	851	221798	Terminal-Cable
		1245, 1401, 4001,	356C	497480	Wire-Stop	878A	393422	Harness-Alternator
		7017.	363	19203	Flywheel Puller	897	394970	Magnetron® Ignition Kit
75	222511	Washer-Spring	468	224521	Screen-Rotating	1005	281053	Fan-Flywheel
78	94326	Screw-Hex.	501	394890	Regulator	1006	224413	Retainer-Fan
188	94627	Screw	520	93722	Terminal			
319	394988	Armature-Magneto						

- ★ Included in Gasket Set-Part No. 491856.
- Included in Carburetor Kit-Part No. 491539.
- Included in Pump Repair Kit-Part No. 393397.

DC ONLY	DUAL CIRCUIT	TRI-CIRCUIT	16 AMP	9 AMP
SEE FLYWHEEL ASSEMBLY	SEE FLYWHEEL ASSEMBLY	SEE FLYWHEEL ASSEMBLY	SEE NOTE UNDER FLYWHEEL ASSEMBLY	SEE NOTE UNDER FLYWHEEL ASSEMBLY
 <b>877B</b>	 <b>877</b>	 <b>877A</b>	 <b>474B</b>	 <b>877A</b>
 <b>878A</b>	 <b>878</b>	 <b>814</b>	 <b>878A</b>	 <b>814</b>
			 <b>501</b>	 <b>501A</b> <b>526A</b>

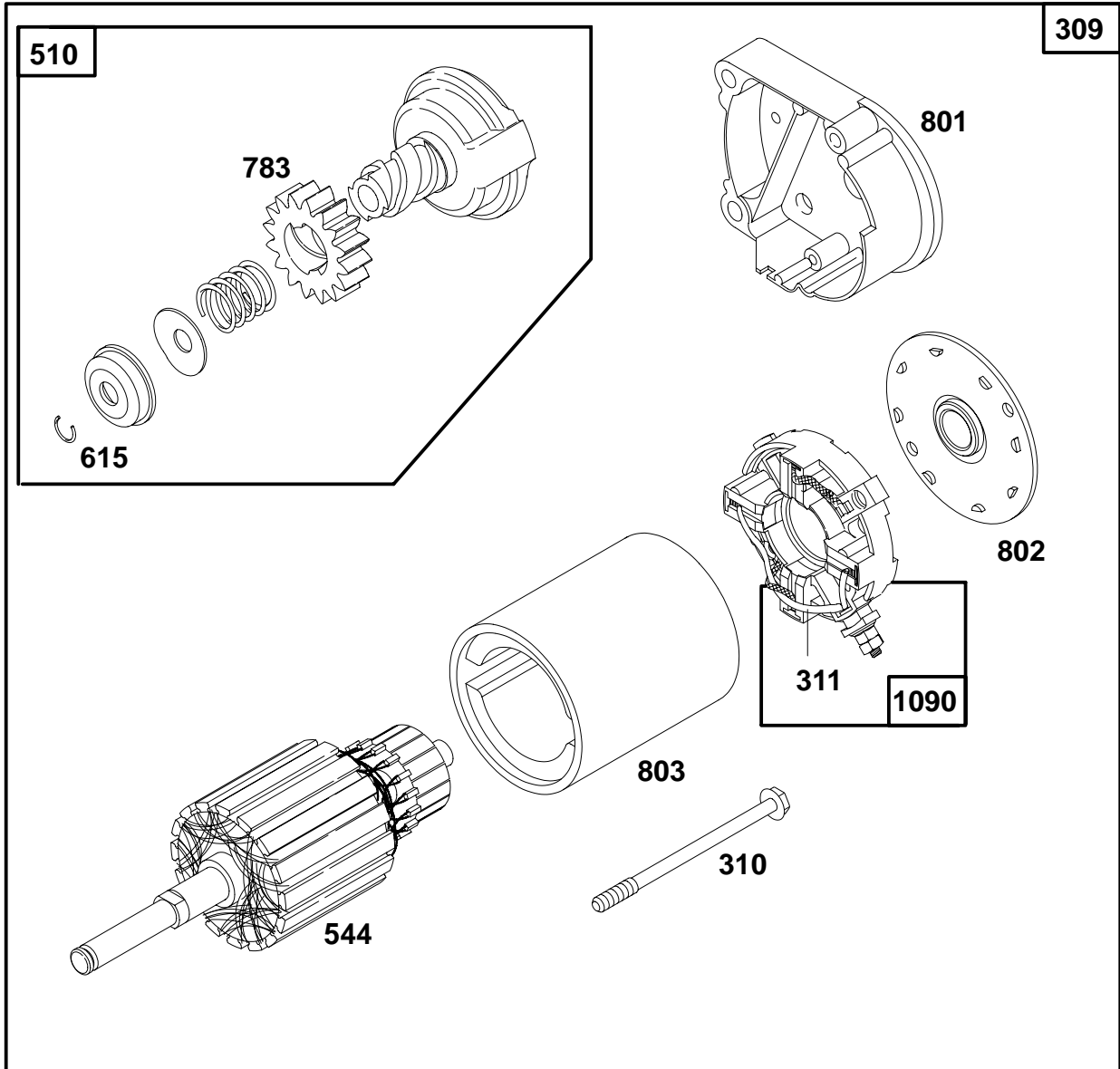
NOTE: ALL STATORS USE NO. 482 MOUNTING SCREW. 



REF. NO.	PART NO.	DESCRIPTION	REF. NO.	PART NO.	DESCRIPTION	REF. NO.	PART NO.	DESCRIPTION
474	393474	Alternator	501A	491546	Regulator	877B	393814	Wire-Alternator
474A	392595	Alternator	526A	94137	Screw-Hex.	878	393362	Harness-Alternator
474B	393295	Alternator	814	392606	Harness-Alternator	878A	393422	Harness-Alternator
482	93621	Screw-Hex.	877	393456	Wire-Alternator	878B	399916	Harness-Alternator
501	394890	Regulator	877A	393537	Wire-Alternator	887	391529	Alternator

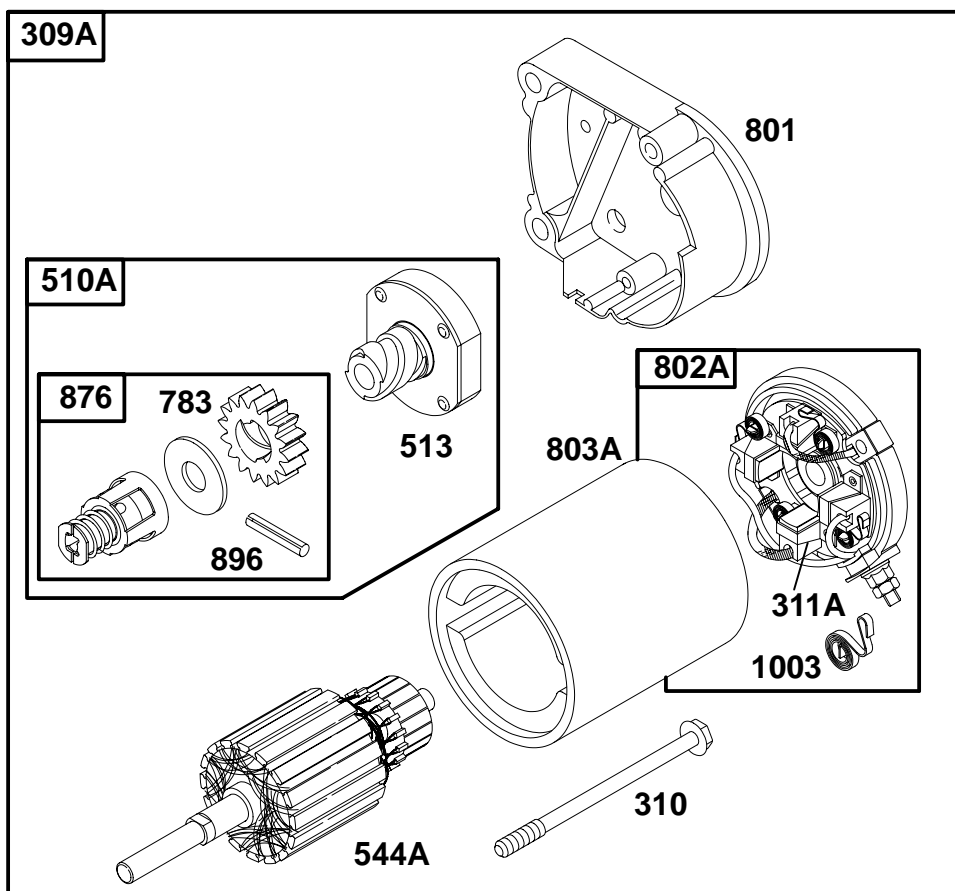
- ★ Included in Gasket Set-Part No. 491856.
- Included in Carburetor Kit-Part No. 491539.
- Included in Pump Repair Kit-Part No. 393397.

# 402700 to 402799



REF. NO.	PART NO.	DESCRIPTION	REF. NO.	PART NO.	DESCRIPTION	REF. NO.	PART NO.	DESCRIPTION
309	497596	Motor-Starter	544	497603	Armature-Starter	801	394860	Cap-Drive
310	94003	Screw-Hex.	615	263080	Retainer	802	497607	Cap-End
311	497608	Brush Set	653	93585	Screw-Hex.	803	497604	Housing-Starter
510	497606	Drive-Starter	783	280104	Gear-Starter	1090	497605	Retainer-Brush

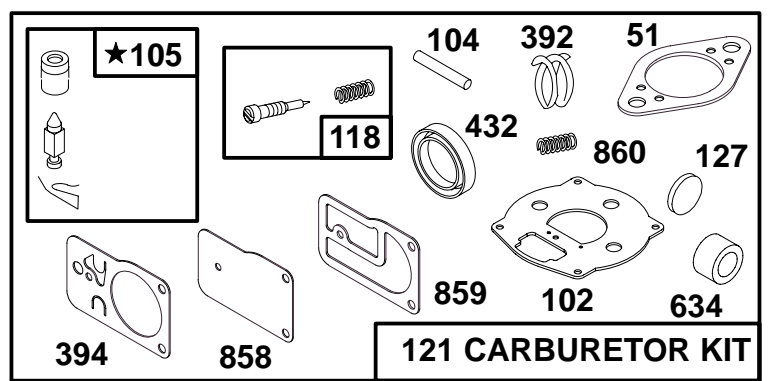
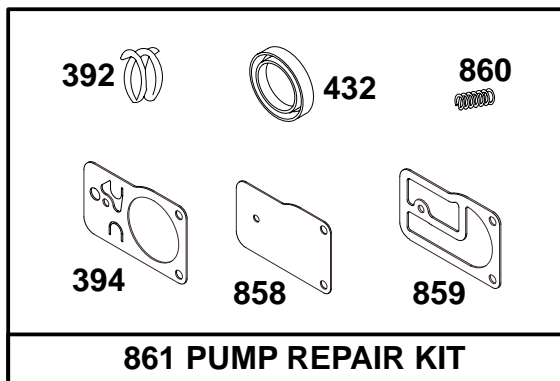
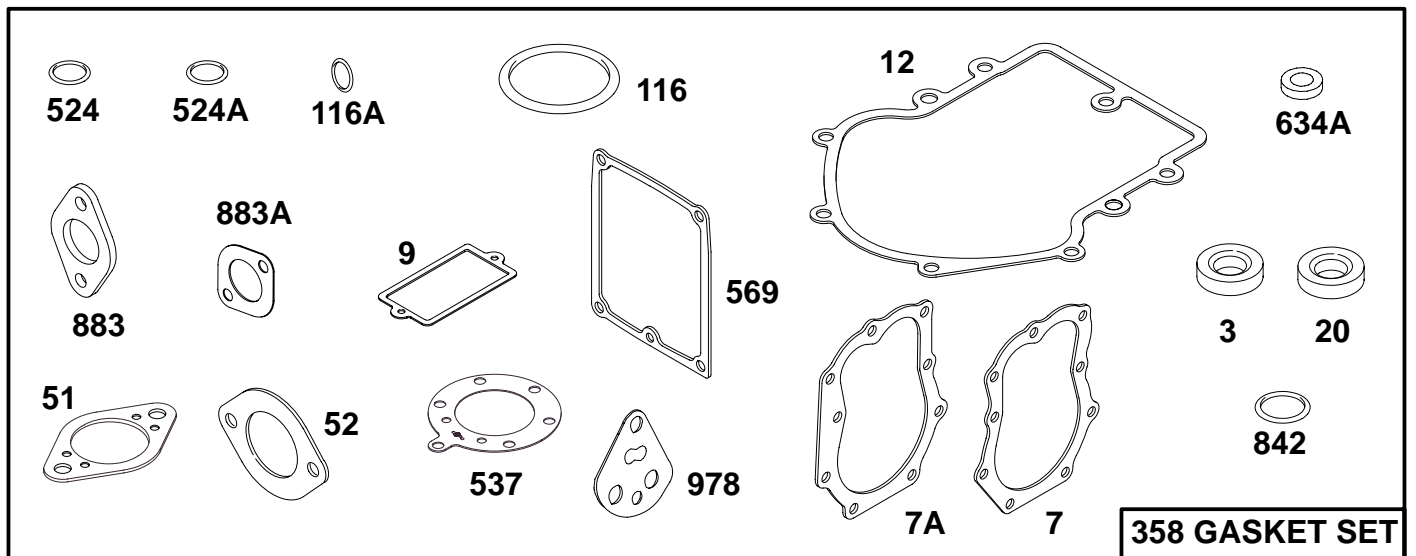
- ★ Included in Gasket Set-Part No. 491856.
- Included in Carburetor Kit-Part No. 491539.
- Included in Pump Repair Kit-Part No. 393397.



REF. NO.	PART NO.	DESCRIPTION	REF. NO.	PART NO.	DESCRIPTION	REF. NO.	PART NO.	DESCRIPTION		
189	90366	Washer-Lock			492020			Brush Set (For 3-15/32" Length)		
309A	394808	Motor-Starter (For 3-5/8" and 3-15/32" Length)	510A	490421	Drive-Starter			492022	Cap-End (For 3-15/32" Length)	
		399928			398003			494988	Cap-End (For 4-3/8" Length)	
		495100			544A			803A	398159	Housing-Starter (For 3-5/8" Length)
		Motor-Starter (For 4-1/2" Length)			390837				398892	Hsg.-Starter (For 4-1/2" Length)
		Motor-Starter (For 4-3/8" Length)			490309				494205	Hsg.-Starter (For 4-3/8" Length)
		Motor-Starter (For 4-3/8" Length)			Armature-Starter (For 4-1/2" and 4-3/8" Length)					
310	94003	Screw-Hex. (For 3-5/8" Length)	653	93585	Screw-Hex.					
		94169			280104			876	490467	Kit-Gear
		Screw-Hex. (For 4-1/2" Length)			783			896	94192	Pin-Roll (Black)
		94004			801				94288	Pin-Roll (Copper)
		Screw-Hex. (For 4-3/8" Length)			802A				490316	Spring-Brush (For 4-1/2" Length)
311A	395538	Brush Set (For 3-5/8" Length)			395537					
		490311			Cap-End (For 3-5/8" Length)					
		Brush Set (For 4-1/2" Length)			490310					
		Brush Set (For 4-1/2" Length)			Cap-End (For 4-1/2" Length)					

- ★ Included in Gasket Set-Part No. 491856.
- Included in Carburetor Kit-Part No. 491539.
- Included in Pump Repair Kit-Part No. 393397.

# 402700 to 402799



★ **REQUIRES SPECIAL TOOLS TO INSTALL. SEE REPAIR INSTRUCTION MANUAL.**

REF. NO.	PART NO.	DESCRIPTION	REF. NO.	PART NO.	DESCRIPTION	REF. NO.	PART NO.	DESCRIPTION
					<b>Note</b>			
					● <b>271609</b> Gasket-Carburetor Body (Used Before Code Date 93070100).			
3	★391086	Seal-Oil	104	●230896	Pin-Float Hinge	537	★271411	Gasket-Air Cleaner
7	★271867	Gasket-Cyl. Head #1	105	●394683	Valve-Needle	569	★272062	Gasket-Base
7A	★271868	Gasket-Cyl. Head #2	116	★280801	Seal-O-Ring	634	★491287	Seal-Governor Shaft
9	★27803	Gasket-Breather	116A	★280474	Seal-O-Ring	634A	●271013	Washer-Foam
12	★271703	Gasket-Crankcase (.015" Thick)	118	●491538	Valve-Idle Adjustment	842	★270920	Seal-Cap (Used After Code Date 92071900).
			121	491539	Carburetor Kit			<b>Note</b>
			127	●223472	Plug-Welch			★271170 Seal-Cap (Used Before Code Date 92072000).
			358	495868	Gasket Set	858	●270989	Diaphragm-Carburetor
20	★291675	Seal-Oil	392	●261395	Spring-Diaphragm	859	●271025	Gasket-Pump
51	★271412	Gasket-Intake	394	●272638	Diaphragm-Carburetor	860	●261358	Spring-Diaphragm
52	★270884	Gasket-Intake	432	●221377	Cap-Spring	861	393397	Kit-Pump Repair
102	●271607	Gasket-Carburetor Body (Used After Code Date 93063000).	524	★271157	Seal-Fill Tube	883	★272250	Gasket-Exhaust
			524A	★271485	Seal-Plug	883A	★272293	Gasket-Exhaust
						978	★272060	Gasket

- ★ Included in Gasket Set-Part No. 491856.
- Included in Carburetor Kit-Part No. 491539.
- Included in Pump Repair Kit-Part No. 393397.

# 402700 to 402799

REF. NO.	PART NO.	DESCRIPTION	REF. NO.	PART NO.	DESCRIPTION	REF. NO.	PART NO.	DESCRIPTION
1	497074	Cylinder Assembly (Used After Code Date 91080400). ———— <b>Note</b> ——— <b>492438</b> Cylinder Assy. Used on Model Series 402777.	203	280997	Crank–Bell (Used After Code Date 89120300). ———— <b>Note</b> ——— <b>493230</b> Crank–Bell (Used Before Code Date 89120400).			———— <b>Note</b> ——— <b>224580</b> Baffle–Air (Cyl. #2) (Used Before Code Date 94041100 and After Code Date 91080400).
16	393382	Crankshaft ———— <b>Note</b> ——— For Timing Gear Key– Order Part No. <b>94196</b> . <b>393523</b> Crankshaft Used on Type No(s). 1116. <b>493236</b> Crankshaft Used on Type No(s). 1221, 1223, 1224, 1232, 1239, 1245, 1272.	209	262351	Spring–Governor ———— <b>Note</b> ——— <b>262352</b> Spring–Gov. Used on Type No(s). 1205, 1212, 1215, 1217, 1218, 1220, 1221, 1223, 1225, 1228, 1232, 1239, 1240, 1244, 1245, 1246, 1270, 1272, 1511. <b>262354</b> Spring–Gov. Used on Type No(s). 1227, 1508. <b>262441</b> Spring–Gov. Used on Type No(s). 1207, 1210, 1233, 1235, 1280, 1509.	842	*270920	Seal–Cap (Used After Code Date 92071900). ———— <b>Note</b> ——— <b>271170</b> Seal–Cap (Used Before Code Date 92072000).
202	262684	Link (Used After Code Date 89120300). ———— <b>Note</b> ——— <b>493230</b> Link (Used Before Code Date 89120400).	572	224816	Baffle–Air (Cyl. #2) (Used After Code Date 94041000).	847	495715	Dipstick and Tube Assembly (Used After Code Date 92071900). ———— <b>Note</b> ——— <b>394394</b> Dipstick and Tube Assembly (Used Before Code Date 92072000).

- ★ Included in Gasket Set–Part No. 491856.
- Included in Carburetor Kit–Part No. 491539.
- Included in Carburetor Kit–Part No. 491539 and Pump Repair Kit–Part No. 393397.