

404400 to 404499

Illustrated Parts List

Model Series

404400 to 404499

TYPE NUMBERS
1200 through 1211
1501, 1502, 4002.

TO FIND
THE CORRECT NUMBER OF THE PART YOU NEED:
FOLLOW THE INSTRUCTIONS BELOW

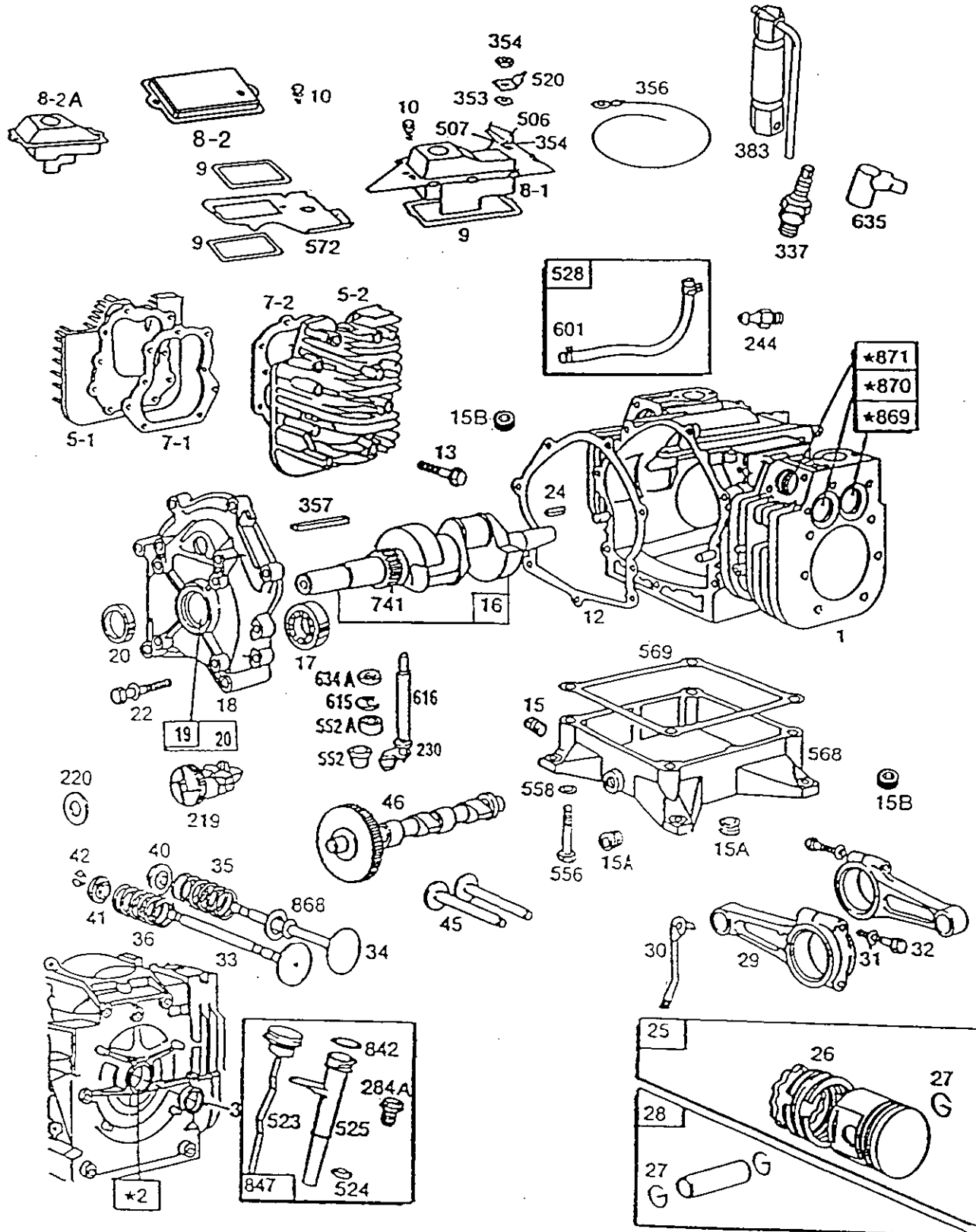
- A. Refer to Engine Model, Type and Code Number that is stamped on the blower housing of engine. Engine type numbers such as 0123 01 are listed only as 0123 in most instances. The two digits (01 or 02, etc.) to the right of the space may be required for more accurate parts identification in some instances. Select the Illustrated Parts List covering the correct Model Series and Type Number.
- B. Refer to the Illustrations and compare the original part with illustration. The number next to the illustration is the Reference Number. Assemblies include all parts shown in frames. All parts shown in assembly frames having individual reference numbers can be purchased separately.
- C. After the Reference Number has been identified, refer to the Numerical text, where Reference and Primary Part Number are listed. **THE PRIMARY PART IS USED ON ALL TYPE NUMBERS EXCEPT THOSE TYPE NUMBERS UNDER "NOTE."**
- D. If a "Note" appears below the Primary Part Number, it means that this part differs from the Primary Part for certain types. If your Type number is listed under "Note," order the part referred to at the "Note."
- E. If your Engine Type Number does not appear after any part number listed under "Note," use the Primary Part Number.
- F. For Engine Type Numbers not covered by this book, check other Parts Lists having the same engine model or contact your source of supply.

PRINTED IN U.S.A.

COPYRIGHT©

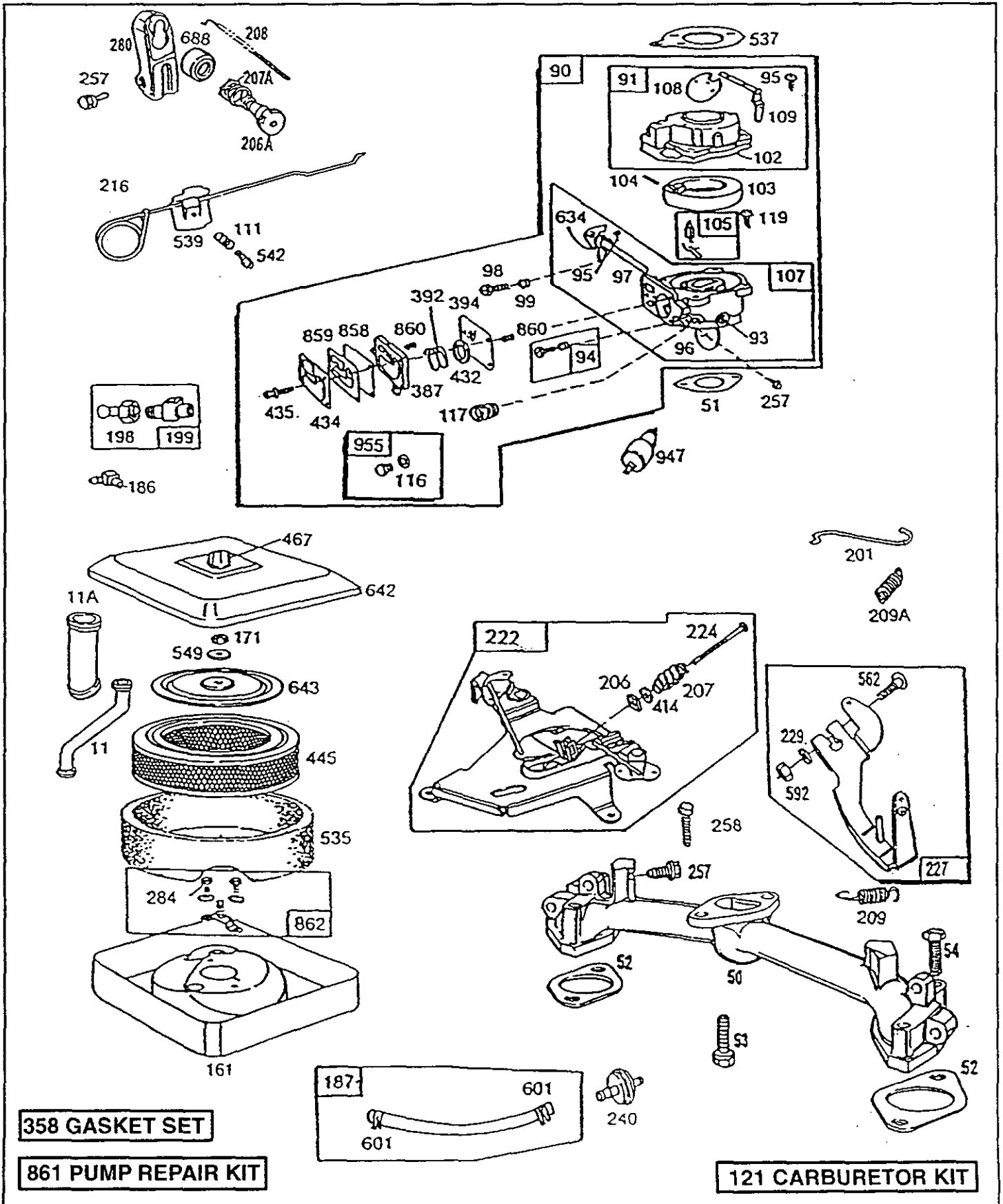
BRIGGS & STRATTON

404400 to 404499



★ REQUIRES SPECIAL TOOLS TO INSTALL.
SEE REPAIR INSTRUCTION MANUAL.

1019 LABEL KIT

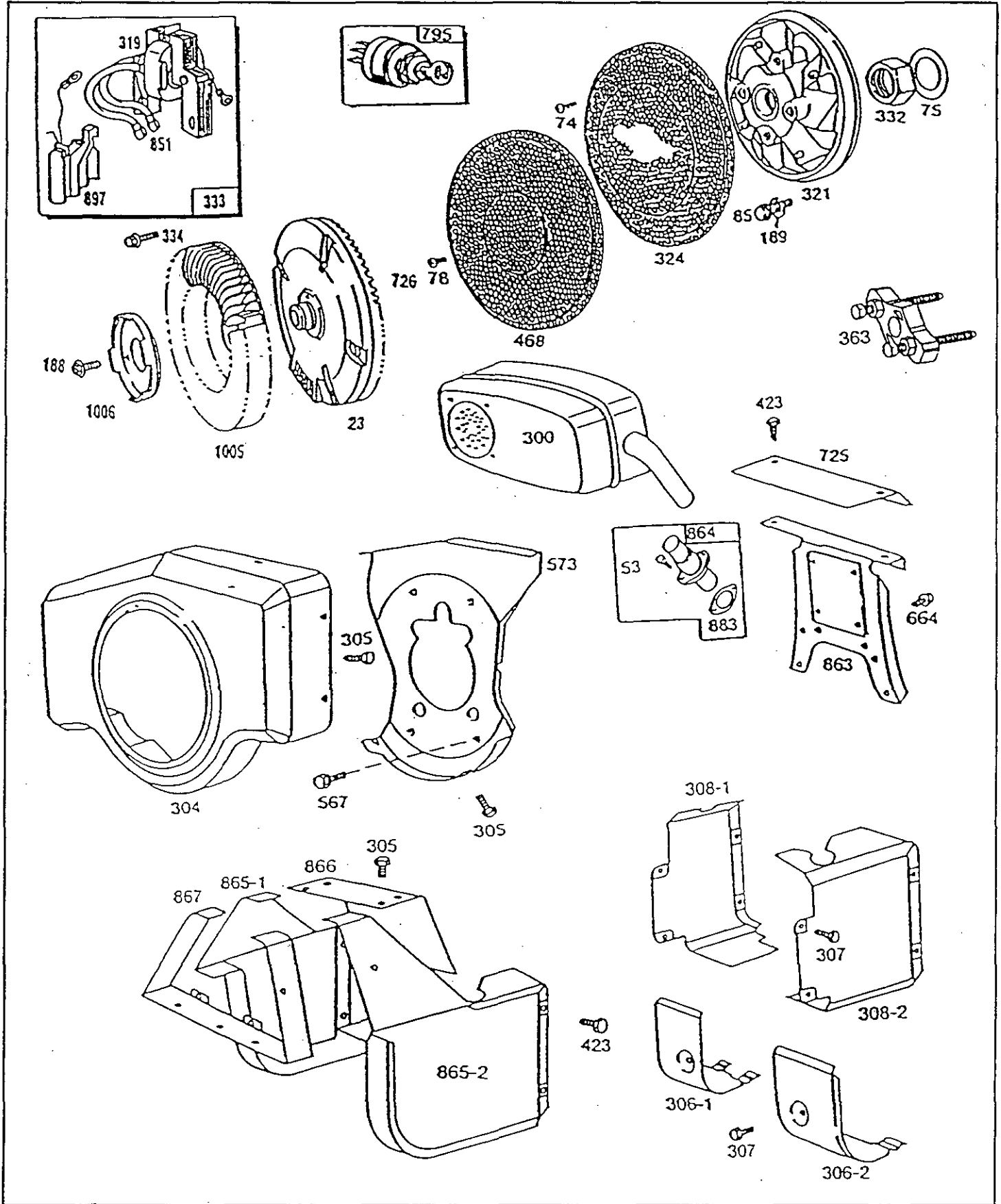


358 GASKET SET

861 PUMP REPAIR KIT

121 CARBURETOR KIT

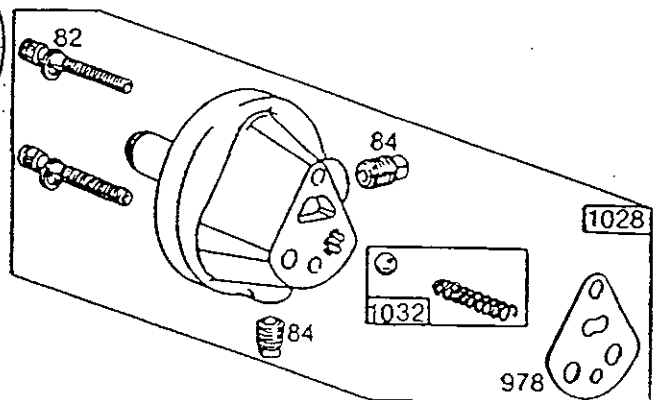
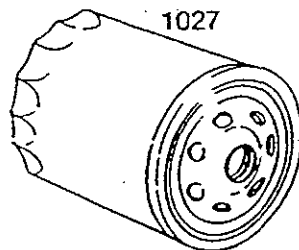
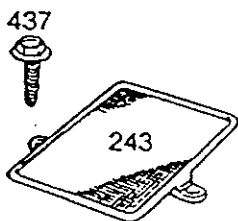
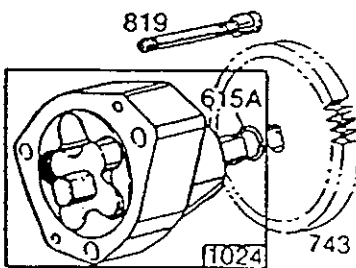
404400 to 404499



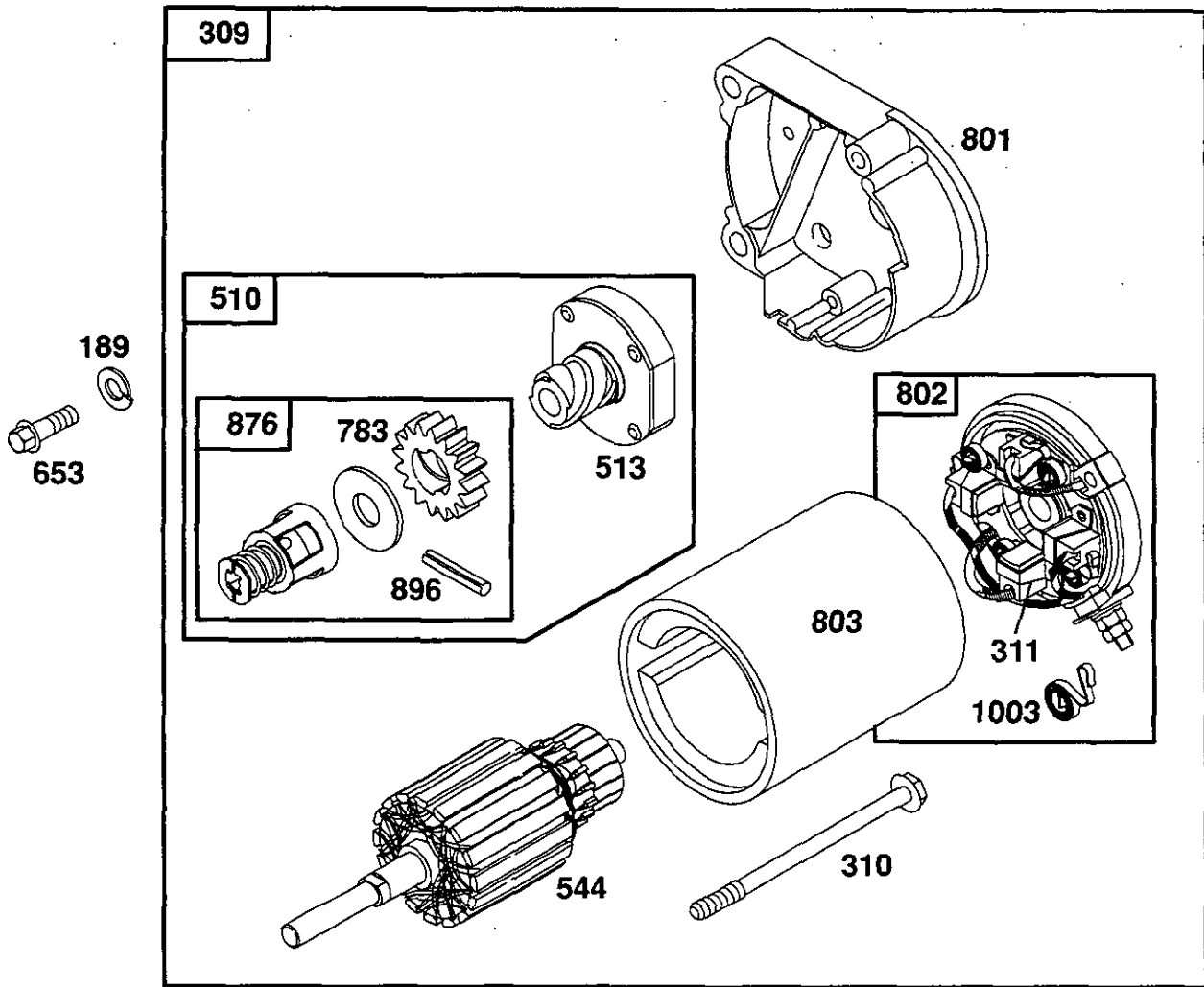
DUAL CIRCUIT	TRI-CIRCUIT	16 AMP
23	23	NOTE UNDER REF.23
<div data-bbox="527 525 738 745"> <p>474 877</p> </div>	<div data-bbox="747 525 958 745"> <p>474A 877A</p> </div>	<div data-bbox="966 525 1177 745"> <p>474B 878A</p> </div>
<div data-bbox="527 756 738 976"> <p>878</p> </div>	<div data-bbox="747 756 958 976"> <p>814</p> </div>	<div data-bbox="966 756 1177 976"> <p>878A</p> </div>
		<div data-bbox="966 987 1177 1197"> <p>526 501</p> </div>



NOTE; All stators use No. 482 Mtg. Screw.



404400 to 404499



Reference Number		309	310	311	510	544	801	802	803	1003
Manufacturer		Motor - Starter	Bolt - Thru	Brush Set	Drive - Starter	Armature - Starter	Cap - Drive	Cap - End	Housing - Starter	Springs - Brush
Briggs & Stratton	Housing Length									
	12V 3-5/8"	394808	94003	395538	490421	390837	394860	395537	398159	-
	12V 4-1/2"	399928	94169	490311	490421	490309	394860	490310	398892	490316
12V 4-3/8"	495100	94004	-	490421	490309	394860	494988	494205	-	-
United Technologies										
	12V 3-15/32"	394808	-	492020	490421	-	394860	492022	-	-

Reference Number	510	513	783	876	896
	Drive - Starter	Drive - Starter	Gear - Starter	Kit - Spring	Pin - Roll
	490421	398003	280104	490467	94288

REF. NO.	PART NO.	DESCRIPTION	REF. NO.	PART NO.	DESCRIPTION	REF. NO.	PART NO.	DESCRIPTION
1	394900	Cylinder Assembly	PISTON RING SETS:			97	392672	Shaft and Lever—Throttle
2	261623	Bearing—Cylinder	26	394959	Ring Set—Piston—Standard	98	91920	Screw—Machine, Fil. Hd.—8-32 x 5/8"
3	391086	Seat—Oil		394960	Ring Set—Piston—.010" O.S.	99	26157	Spring—Throttle Adjustment
5-1	212461	Head—Cylinder #1		394961	Ring Set—Piston—.020" O.S.	102	†271609	Gasket—Carburetor Body
5-2	212462	Head—Cylinder #2		394962	Ring Set—Piston—.030" O.S.	103	298514	Float—Carburetor
7-1	*271867	Gasket—Cylinder Head #1	27	260924	Lock—Piston Pin	104	†230896	Pin—Float Hinge
7-2	*271868	Gasket—Cylinder Head #2	28	299691	Pin Assembly—Piston—Standard	105	†394681	Valve—Fuel Inlet
8-1	393243	Breather Assembly #1		391286	Pin Assembly—Piston—.005" O.S.	107	399625	Body—Lower Carburetor
8-2	393153	Breather Assembly #2	29	393270	Rod Assembly—Connecting	108	223534	Valve—Choke
9	*27803	Gasket—Valve Cover		Note:	For Connecting Rod with .020" Undersize Crankpin Bore—Order No. 393714.	109	392673	Shaft and Lever—Choke
10	93394	Screw—Sem	30	222480	Dipper—Connecting Rod	116	280474	O-Ring
11	280185	Tube—Breather	31	220863	Washer—1/4 x 5/8 x 1/32	117	231339	Jet—Needle Valve
11A	280198	Tube—Intake	32	92909	Screw—Connecting Rod	119	94152	Screw—Hex. Hd. Sem—10-32 x 3/4"
12	*270982	Gasket—Crankcase Cover—1/64" thick	33	390419	Valve—Exhaust	121	394502	Carburetor Overhaul Kit
	*271145	Gasket—Crankcase Cover—.005" thick		Note:	390420 Valve—Exhaust	161	222752	Body—Air Cleaner
	*271146	Gasket—Crankcase Cover—.009" thick	34	261528	Valve—Intake	171	93715	Nut—Hex.
13	93111	Screw—Cylinder Head (1-15/16" long)	35	65906	Spring—Intake Valve	186	67218	Connector—Fuel pipe
14	93113	Screw—Cylinder Head (2-5/16" long)	36	26828	Spring—Exhaust Valve	187	393815	Line—Fuel
15	91084	Plug—Oil Drain	40	221596	Retainer—Intake Valve			Cut to required length.
15A	93448	Plug—Hex. Socket	41	292260	Roto-Cap—Exhaust Valve	189	90366	Lockwasher
16	393823	Crankshaft	42	93630	Ratainer—Exhaust Valve Roto-Cap (2)	198	293934	Valve—Fuel Shut—Off
	Note:	Order Part No. 94196	45	261368	Tappet—Valve	199	297563	Outlet—Fuel Tank
		Key or 231160 Pin for Timing Gear Retaining Device	46	213100	Gear—Cam	201	261444	Link—Governor
17	393741	Bearing—Ball (P.T.O. Side)	50	393349	Manifold Assembly—Intake	202	261531	Link—Speed Control
18	394309	Cover Assembly—Crankcase (Ball Brg.)	51	†*271412	Gasket—Carb. Mtg.	209	261720	Spring—Governor
	Note:	394535 Cover Assy.—Crankcase (Ball Brg.)	52	*270884	Gasket—Intake Manifold Mtg.	209A	261563	Spring—Governed Idle
		Used on Type Nos. 0110, 0113.	53	93415	Screw—Hex. Hd. Sem	219	394348	Gear—Governor
20	291675	Seal—Oil	54	93208	Screw—Intake Manifold Mtg. Sem	220	222773	Washer—Thrust
22	93847	Screw—Crankcase Cover Mtg. Sem	74	93808	Screw—Sem	222	222807	Bracket—Speed Control
	Note:	94096 Stud—Crankcase Cover	75	222511	Washer—Spring	223	222828	Lever—Speed Control
		Used on Type Nos. 0110, 0113	78	93805	Screw—Sem	223A	394324	Plate Assembly—governor Control
23	392956	Flywheel and Ring Gear Assy.—Magneto	85	92674	Screw—Hex. Hd.	227	393846	Lever Assy.—Governor
	Note:	393480 Flywheel and Ring Gear Assy.—Magneto	90	399229	Carburetor Assembly	229	222289	Washer
		Used on Type Nos. 0115, 0116, 0117, 0118.	91	399327	Body Assembly—Upper Carburetor	230	220863	Washer—Gov. Crank (Inside)
24	222698	Key—Flywheel (For MAGNETRON® Ignition)	93	231209	Bushing—Throttle Shaft	240	394358	Filter—Fuel (In Fuel Pipe)
25	394955	Piston Assy—Standard	94	†292681	Valve Assembly—Carburetor Idle	244	230318	Connector—Fuel Pipe
	394956	Piston Assy—.010" O.S.	95	93499	Screw—Throttle and Choke Valve Mtg. Sem	257	93897	Screw—Casing Clamp
	394957	Piston Assy—.020" O.S.	96	223370	Valve—Throttle	258	93163	Screw—Sem
	394958	Piston Assy—.030" O.S.					Note:	93868 Screw—Sem (For Aluminum Manifold)
						265	221535	Clamp—Casting
						284	93828	Screw—Sem
						284A	93893	Screw—Sem
						284B	93886	Screw—Hex. Hd.
						300	394200	Muffler—Exhaust
						304	396088	Housing—Blower
						305	93158	Screw—Sem
						306-1	222846	Shield—Cylinder
						306-2	223734	Shield—Cylinder

*Included in Gasket Set—Part No. 394501.

†Included in Carburetor Overhaul Kit—Part No. 394502.

‡Included in Carburetor Overhaul Kit—Part No. 394502 and Pump Repair Kit—Part No. 393397.

404400 to 404499

REF. NO.	PART NO.	DESCRIPTION	REF. NO.	PART NO.	DESCRIPTION	REF. NO.	PART NO.	DESCRIPTION
307	93163	Screw—Sem	455	222674	Cup—Screen Mounting	657	93496	Screw—Sem
308-1	222848	Cover—Air Guide	467	212706	Knob—Air Cleaner	664	93343	Screw—Sem
308-2	222849	Cover—Air Guide	468	222673	Screen—Flush Rotating	664A	93415	Screw—Hex. Hd.
309		Motor—Starting See Chart on Page 6 for Starter Motor Parts.	474	393474	Stator—Alternator (Dual Circuit)	676	393761	Deflector—Muffler (Side Outlet)
319	394988	Armature Assembly	474A	392595	Stator Alternator (Tri-Circuit)	725	222981	Shield—Heat
321	212277	Fan—Booster	474B	393295	Stator—Alternator	726	391362	Gear—Flywheel Ring (Including Mounting Parts)
	Note:	212370 Fan—Booster Used on Type No. 0117.	478	223144	Bracket—Starter (Key Switch)	741	262221	Gear—Timing (Used with Key)
		212418 Fan—Booster Used on Type Nos. 0110, 0111, 0112, 0113.	482	93621	Screw—Sem		Note:	231321 Gear—Timing (Used with Pin)
324	222872	Screen—Rotating	500	91325	Washer	795	490066	Switch Assy.— Key.
	Note:	223008 Screen— Rotating Used on Type Nos. 0110, 0111, 0112, 0113.	501	394890	Regulator—Alternator	795A	392833	Switch—Ignition (Key Switch)
332	230674	Nut—Hex.		Note:	397809 Regulator — Alternator Used on Type Nos. 0115, 0116.	814	392606	Diode and Connector Assembly—Alternator (Tri-Circuit)
	Note:	231247 Nut—Jam Used on Type Nos. 0110, 0111, 0112, 0113.	506	231174	Terminal	840	396573	Panel Assy.—Starter (Key)
333	394891	Armature Group— (MAGNETRON® Ignition)	507	280180	Grommet—Insulator	842	271170	Seal—Tube
334	93381	Screw—Armature Mtg. Sem	518	69932	Rope—Starter	847	398990	Dipstick and Tube Assy.
337	394539	Plug—Spark (2-3/8" High— 60 M.M.) (Resistor)	520	93722	Terminal—Spade	851	221798	Terminal—Ignition Cable
346	93705	Screw—Sem	523	398924	Cap and Dipstick— Oil Filler	858	±270989	Diaphragm—Damping
353	92791	Washer—Lock— Shakeproof	524	68838	Seal—Filler Tube	859	±271025	Gasket—Carb. Pump
354	90576	Nut—Hex.—8-32	525	280220	Tube—Oil Filler	860	±261358	Spring (2)
356	298693	Wire—Ground (Cut to Suit)	526	93559	Screw—Regulator	861	393397	Repair Kit—Pump
357	91540	Key—Pulley		Note:	94137 Screw— Regulator Used on Type Nos. 0115, 0116.	862	392643	Mounting Strap Assy.— Air Cleaner
358	394501	Gasket Set	527	220162	Clip—Wire	863	222776	Bracket—Muffler
363	19203	Puller—Flywheel (Optional Accessory)	528	393244	Line—Fuel (Impulse)	864	398349	Adapter Assy.—Muffler
370	231172	Bushing—Speed Control	535	271271	Element—Air Cleaner	865-1	392991	Cover Assy.—Air Guide (Cylinder #1)
370A	66432	Washer—Plain	537	†271411	Gasket—Air Cleaner	865-2	399931	Cover Assy.—Air Guide (Cylinder #2)
383	89838	Wrench—Spark Plug	549	271180	Washer	866	393025	Rear Insert Assembly (Air Guide)
387	280197	Body—Pump	552	261559	Lower Bushing— Governor	867	222775	Frame—Air Guide
392	±261395	Spring—Pump	552A	261560	Upper Bushing— Governor	869	261463	Seat—Intake Valve (Standard)
394	±270988	Diaphragm	556	93783	Screw—Hex. Hd.	870	210940	Seat—Exhaust Valve (Standard)
423	93343	Screw—Hex Head	558	92268	Washer	871	261961	Guide—Exhaust Valve
432	±221377	Cap—Spring	561	92278	Nut—Hex.		Note:	231218 Guide— Intake Valve See Repair Manual
434	223688	Cover—Diaphragm (Used after Code Date 85121500.)	562	93853	Bolt—Governor Lever	877	393456	Diode and Connector Assy. (Dual Circuit)
	Note:	222615 Cover— Diaphragm (Used before Code Date 85121600.)	567	93777	Screw—Hex. Hd. (Back Plate to Cyl.)	877A	393537	Connector Assy. (Tri-Circuit)
435	93829	Screw—Diaphragm Cover	568	394391	Base—Engine	878	393362	Alternator Harness Assy.
445	394018	Cartridge—Air Cleaner	569	*270981	Gasket—Engine Base	878A	393422	Alternator Harness Assy.
			572	222700	Guide—Air	883	271174	Gasket—Exhaust
			573	392934	Back Plate Assy.	897	394970	Trigger Coil Assembly— MAGNETRON® Ignition
			575	299139	Switch—Starting	947	397266	Solenoid
			578	394518	Wire Assembly	955	397882	Plug and Seal— Solenoid
			586	22906	Lock—Flywheel Nut	1019	491259	Decal Kit
			592	92278	Nut—Hex.—10-24			
			601	93053	Clamp—Fuel Pipe			
			615	93851	Retainer—E-Ring			
			616	394396	Crank—Governor			
			634	†271013	Washer (Throttle Shaft)			
			634A	271316	Foam Seal—Gov. Shaft			
			635	66538	Elbow—Spark Plug			
			642	223001	Cover—Air Cleaner			
			643	222835	Cartridge Plate—Air Cleaner			
			653	91162	Screw—Hex. Hd.— 5/16-18 x 1-1/2"			

*Included in Gasket Set—
Part No. 394501.

†Included in Carburetor Overhaul
Kit—Part No. 394502.

‡Included in Carburetor Overhaul
Kit—Part No. 394502 and Pump
Repair Kit—Part No. 393397.

404400 to 404499

REF. NO.	PART NO.	DESCRIPTION	REF. NO.	PART NO.	DESCRIPTION	REF. NO.	PART NO.	DESCRIPTION
		Note: 394539 Plug-Spark (2-3/8" High, 62 mm) (Resistor Type)	552A	262331	Upper Bushing-Governor	819	94366	Screw-Sem
353	92791	Washer-Lock	556	94725	Screw-Hex. Head (Used After Code Date 92092400).	842	★271170	Seal-Tube
354	90576	Nut-Hex.			Note: 93783 Screw-Hex. Hd. (Used Before Code Date 92092500).	847	398990	Dipstick and Tube Assy.
356	398874	Wire-Ground (Cut to Suit)	558	92268	Washer (Used Before Code Date 92092500).	851	221798	Terminal-Ignition Cable
357	91540	Key-Pulley	562	93853	Bolt-Governor Lever	858	■270989	Diaphragm-Damping
358	491856	Gasket Set	567	93777	Screw-Hex. Hd. (Back Plate to Cyl.)	859	■271025	Gasket-Carb. Pump
363	19203	Puller-Flywheel	568	490918	Base-Engine Note: 491717 Base-Engine Used on Model 404447	860	■261358	Spring (2)
383	89838	Wrench-Spark Plug	569	★272062	Gasket-Engine Base	861	393397	Repair Kit-Pump
387	280197	Body-Pump	572	224580	Guide-Air (Used After Code Date 91081800).	862	495077	Mounting Strap Assy.- Air Cleaner (Used After Code Date 92021600).
392	■261395	Spring-Pump			Note: 222700 Guide-Air (Used Before Code Date 91081900).			Note: 392643 Mounting Strap Assy.-Air Cleaner (Used After Code Date 92021700).
394	■270988	Diaphragm	573	491444	Back Plate Assy.	863	222776	Bracket-Muffler
414	220680	Washer	592	92278	Nut-Hex.	864	398349	Adapter Assy.- Muffler
423	93343	Screw-Hex. Head	601	93053	Clamp-Fuel Pipe	865.1	392991	Cover Assy.- Air Guide (Cyl. #1)
432	■221377	Cap-Spring	615	94296	Retainer-E-Ring	865.2	399931	Cover Assy.- Air Guide (Cyl. #2)
434	223688	Cover-Diaphragm	616	491530	Crank-Governor	866	393025	Rear Insert Assembly (Air Guide)
435	93829	Screw-Diaphragm Cover	634	●271013	Washer (Throttle Shaft)	867	222775	Frame-Air Guide
437	94386	Screw-Hex. Head	634A	★491287	Seal-Gov. Shaft	868	393606	Seal Assembly-Valve
445	394018	Cartridge-Air Cleaner	635	66538	Elbow-Spark Plug	869	261463	Seat-Intake Valve
467	493903	Knob-Air Cleaner	642	223001	Cover-Air Cleaner	870	213316	Seat-Exhaust Valve
468	224521	Screen-Flush Rotating	643	222835	Plate-Air Cleaner	871	261961	Guide-Exhaust Valve Note: 231218 Guide-Intake Valve See Repair Manual
474	393474	Stator-Alternator (Dual Circuit)	653	91162	Screw-Hex. Hd.	877	393456	Diode Assy. (Dual Circuit)
474A	392595	Stator-Alternator (Tri-Circuit)	664	93343	Screw-Sem	877A	393537	Connector Assy. (Tri-Circuit)
474B	393295	Stator-Alternator	688	224101	Cap-Spring	878	393362	Harness-Alternator
482	93621	Screw-Sem	725	222981	Shield-Heat	878A	393422	Harness-Alternator
501	394890	Regulator-Alternator	726	391362	Gear-Flywheel Ring (Including Mtg. Parts)	883	★272250	Gasket-Exhaust
506	231174	Terminal	741	262694	Gear-Timing	897	394970	Elec. Ignition Kit (MAGNETRON® Ignition)
507	280180	Grommet-Insulator	743	491801	Gear-Oil Pump Drive	947	397266	Solenoid
520	93722	Terminal-Spade	814	392606	Harness-Alternator (Tri-Circuit)	955	397882	Plug and Seal-Solenoid
523	398924	Cap Assy.-Filler				978	★272060	Gasket-Adapter
524	★68838	Seal-Filler Tube				982	94362	Screw-Adapter Mtg.
525	280220	Tube-Oil Filler						
526	93559	Screw-Regulator						
528	393815	Line-Fuel (Impulse)						
535	271271	Element-Air Cleaner						
537	★271411	Gasket-Air Cleaner						
539	221372	Clip-Control Rod						
542	90746	Screw-Fil. Head						
549	271180	Washer						
552	262332	Lower Bushing-Governor						

★ Included in Gasket Set-
Part No. 491856.

● Included in Carburetor Kit-
Part No. 491539.

■ Included in Carburetor Kit-
Part No. 491539 and
Pump Repair Kit-Part No. 393397.

404400 to 404499

REF. NO.	PART NO.	DESCRIPTION	REF. NO.	PART NO.	DESCRIPTION	REF. NO.	PART NO.	DESCRIPTION
1005	281053	Fan-Flywheel Note: 280815 Fan-Flywheel (Used Before Code Date 93011800). Used on Type Nos. 1205, 1207, 1208, 1210, 1211, 4002.			Date 93011800). Used on Type Nos. 1205, 1207, 1208, 1210, 1211, 4002.			Uses: 492061 Filter Kit (Remote) (18" Hose) or 492062 Filter Kit (Remote) (30" Hose)
1006	224413	Retainer-Fan Note: 223726 Retainer-Fan (Used Before Code	1019	491259	Label Kit	1024	491708	Pump Assembly-Oil
			1027	491056	Filter-Oil	1028	491721	Adapter-Filter
					Note: 492675 Adapter- Filter (Remote)	1032	491710	Ball-Oil Pump

★ Included in Gasket Set-
Part No. 491856.

● Included in Carburetor Kit-
Part No. 491539.

■ Included in Carburetor Kit-
Part No. 491539 and
Pump Repair Kit-Part No. 393397.

